

80ft. x 6.7ft. High Mount  
Outdoor Curtain PIR Detector

# HX-80N series



- HX-80N** : 2 PIRs standard model
- HX-80NAM** : Anti-masking model
- HX-80NRAM** : Wireless-Ready model
- HX-80NRAMi** : iSeries Wireless model  
(w/Inovonics & batteries built in)

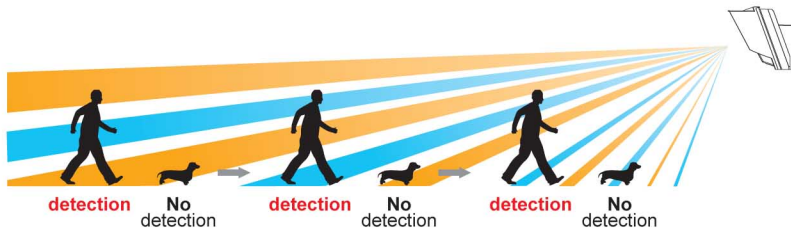
# 80ft./24m Closing time for

We are bringing down the curtain.

## Product features

### Catch performance

The HX Series features superb Catch Performance. The most important element in reliable outdoor detector is accuracy in distinguishing a human from a small animal. The exclusive pyro element on board enables the HX to project an ideal detection pattern, thus allowing for more accurate detection of humans and less false alarms.



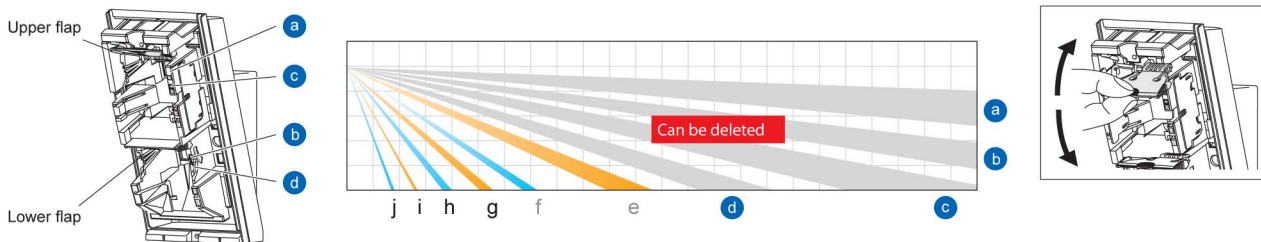
**HX-80N** Dual PIR standard model

### Adjustability

HX coverage can easily be adjusted by means of built-in flaps and plates

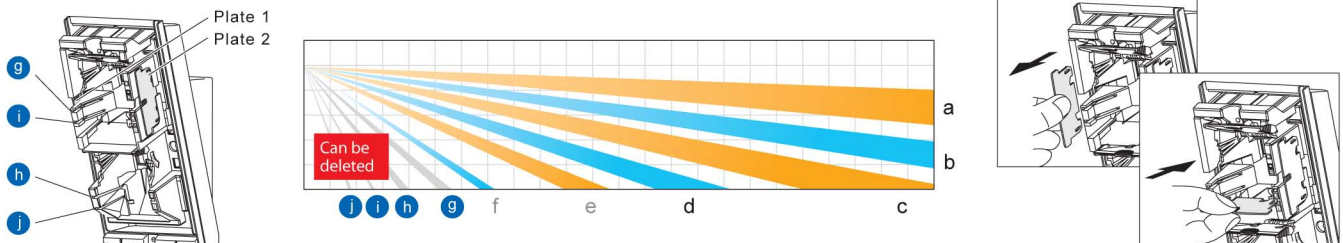
#### Flaps for long distance limit

To adjust the long range of detection, set the upper and lower flaps.



#### Plates for short range masking

To adjust the short range of detection, set the masking plates.



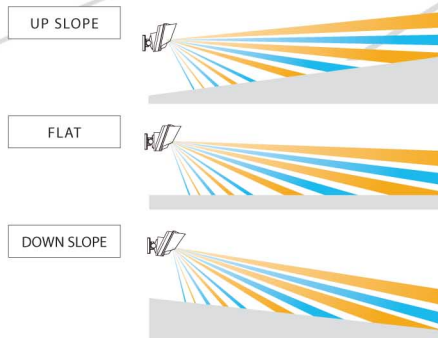
\* Plate 1 and 2 are identical.

# intruders

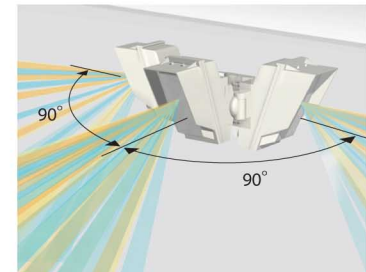


## Slope friendliness

Not all outdoor ground is flat like most indoor environments. Steep slopes can cause negative effects on the catch performance feature. The adjustable included bracket enables the HX to maintain the optimal catch performance.



## 180° horizontal angle adjustable bracket



## Additional Features

- Mounting height 8'2" - 9'10"
- Intelligent AND detection logic with unique pyro-element
- Double conductive shielding
- Advanced temperature compensation logic
- Summer night compensation logic
- Vegetation sway analysis logic

## Product line up

**HX-80NAM** Anti-masking

### Active IR digital anti-masking

When an object is placed close to the lens surface, for a period of more than 180 seconds, the IR Anti-Masking circuit will activate and generate a trouble signal.



**HX-80NAM** Wireless Ready Model

**HX-80NAMi** iSeries Wireless Model

Save installation time and labor costs with no wiring or trenching.

**HX-80NAM** is a battery operated model that works with most manufacturers wireless technology.



The iSeries **HX-80NAMi** is an out-of-the-box wireless version that comes with an Inovonics EN1941 transmitter and batteries already installed.



## Battery box for numerous battery types



\*3.6 VDC 1/2 AA battery in series.

## Applications



Residential site



Commercial site



Storage site

### Specifications

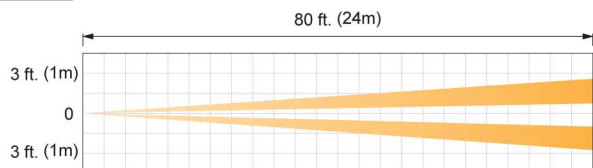
Model	HX-80N	HX-80NAM
Detection method	Passive infrared	
Anti-masking	-	✓
PIR Coverage	80' × 6.7" (24.0 m × 2.0 m) narrow / 20 zones	
PIR distance limit	22', 33', 42', 59' (6.5 m, 10.0 m, 13.0 m, 18.0 m)	
Detectable speed	1 1/8 - 4 11/16" (0.3 m/s - 1.5 m/s)	
Sensitivity	3.6°F (2.0°C) at 0.6 m/s	
Power input	9.5 - 18 V DC	
Current draw	35 mA (max.) at 12 V DC	40 mA (max.) at 12 V DC
Alarm period	2.0 ± 1 sec.	
Warm-up period	Approx. 60 sec. (LED blinks)	
Alarm output	Form C 28 V DC 0.2 A (max.)	
Tamper output	N.C. 28 V DC, 0.1 A (max.) N.C. open when cover removed.	
Trouble output	-	
Aux input	N.C. 28 V DC, 0.1 A (max.)	
LED indicator	Red: Warm-up, Alarm	Red: Warm-up, Alarm, Trouble
RF interference	No alarm 10 V/m	
Operating temperature	-4 - +140°F (-20 - +60°C)	
Environment humidity	95% max.	
Weatherproof	IP55	
Mounting	Wall	
Mounting height	8'2" - 9'10" (2.5 - 3.0 m)	
Bracket adjust angle	Vertical: ±20° Horizontal: ±95°	
Weight	25.4 oz. (720 g)	
Accessories	Bracket, Screw (4 × 20 mm) × 4	

\*Specifications and designs are subject to change without prior notice.  
 \*Batteries and wireless transmitters are not included these products.

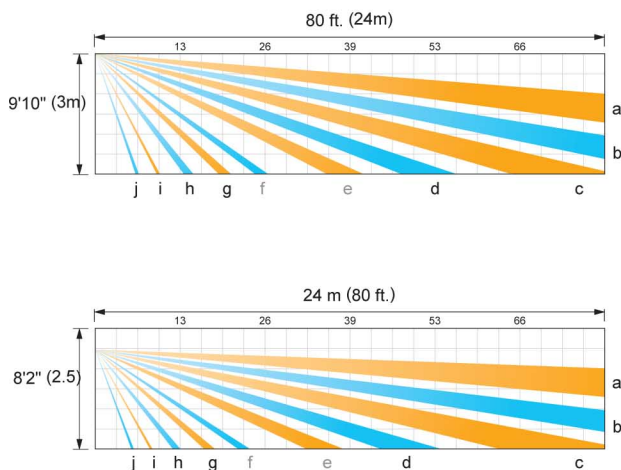
Model	HX-80NAM	iSeries HX-80NAMi
Wireless Technology	Works w/Most Manufacturers Wireless	Includes Inovonics EN1941 and batteries built in
Anti-masking		✓
PIR Coverage	80' × 6.7" (24.0 m × 2.0 m) narrow / 20 zones	
PIR distance limit	22', 33', 42', 59' (6.5 m, 10.0 m, 13.0 m, 18.0 m)	
Detectable speed	1 1/8 - 4 11/16" (0.3 m/s - 1.5 m/s)	
Sensitivity	3.6°F (2.0°C) at 0.6 m/s	
Power input	3 - 7.2 V DC Lithium Battery (not included)	(2x) 3 V DC Lithium Battery (included)
Operating voltage	2.5 - 9 V DC	
Current draw	30 μA (standby) / 4 mA (max.) at 3 V DC	
Alarm period	2.0 ± 1 sec.	
Warm-up period	Approx. 90 sec. (LED blinks)	
Alarm output	Form C - Solid State Switch- 10 V DC 0.01 A max.	
Trouble output	N.C./N.O. Selectable -Solid State Switch- 10 V DC 0.01 A max.	
Tamper output	Form C. 28 V DC, 0.1 A max. activates when cover removed.	
LED indicator	Disable: During normal operation. Enable: During WALK TEST or LED SW on. Red: Warm-up, Alarm, Trouble, Low battery	
RF interference	No alarm 10 V/m	
Operating temperature	-4 - +140°F (-20 - +60°C)	
Environment humidity	95% max.	
Weatherproof	IP55	
Mounting	Wall	
Mounting height	8'2" - 9'10" (2.5 - 3.0 m)	
Bracket adjust angle	Vertical: ±20° Horizontal: ±95°	
Weight	27.5 oz. (780 g)	
Accessories	Bracket, Screw (4 × 20 mm) × 4, Velcro tape × 2, Alarm cable, Battery lead × 2, Dummy battery kit	

### Coverage

Top view

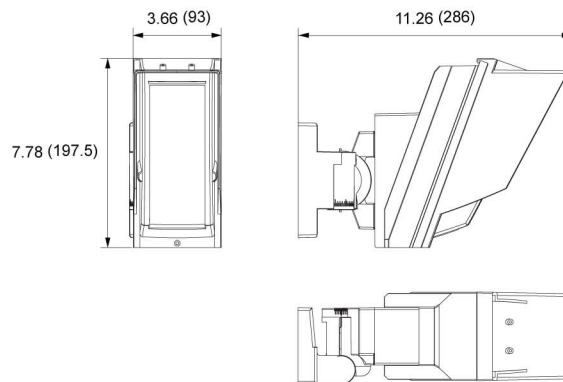


Side view

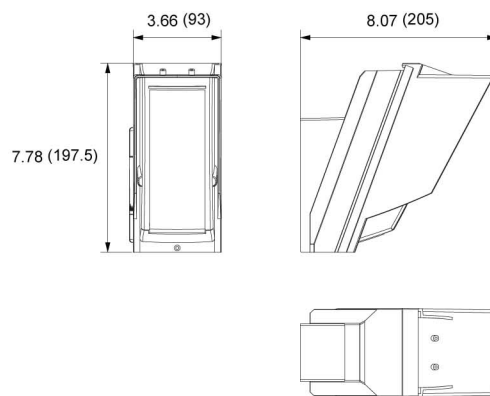


### Dimensions

Using bracket



Without bracket



inch (mm)



OPTEX INCORPORATED (USA)  
 13861 Benson Ave, Chino CA 91710  
 TEL 800-966-7839 FAX 909-628-5560

<http://www.optexamerica.com/>

OPTEX CO., LTD. (ISO 9001 Certified / ISO 14001 Certified)  
 5-8-12 Ogoto, Otsu, Shiga, 520-0101 Japan  
 TEL +81(0)77 579 8670 FAX +81(0)77 579 8190

<http://www.optex.co.jp/e/>