

TOONA



series 4: TO4005, TO4006, TO4015, TO4605, TO4024

series 5: TO5015, TO5016, TO5605, TO5024, TO5024I, TO5024HS

series 6: TO6024HS

series 7: TO7024



Swing gate opener

EN - Instructions and warnings for installation and use

IT - Istruzioni ed avvertenze per l'installazione e l'uso

FR - Instructions et avertissements pour l'installation et l'utilisation

ES - Instrucciones y advertencias para la instalación y el uso

DE - Installierungs-und Gebrauchsanleitungen und Hinweise

PL - Instrukcje i ostrzeżenia do instalacji i użytkowania

NL - Aanwijzingen en aanbevelingen voor installatie en gebruik

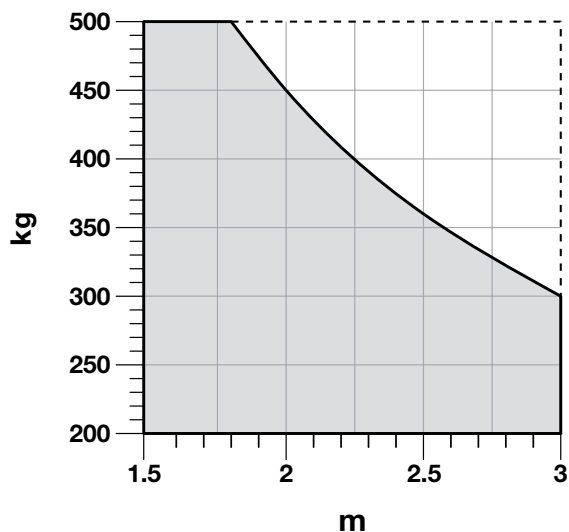
RU - Инструкции и важная информация для технических специалистов

Nice

- EN - GRAPH 1 "Limits of use of the product"
- FR - GRAPHIQUE 1 "Limites d'utilisation du produit"
- DE - GRAPHIK 1 "Verwendungsgrenzen des Produkts"
- NL - GRAFIEK 1 "Gebruiksbeperkingen van het product"

- IT - GRAFICO 1 "Limiti d'impiego del prodotto"
- ES - GRÁFICO 1 "Límites de empleo del producto"
- PL - SCHEMAT 1 "Ograniczenia używania produktu"
- RU - График 1. Ограничения при эксплуатации изделия

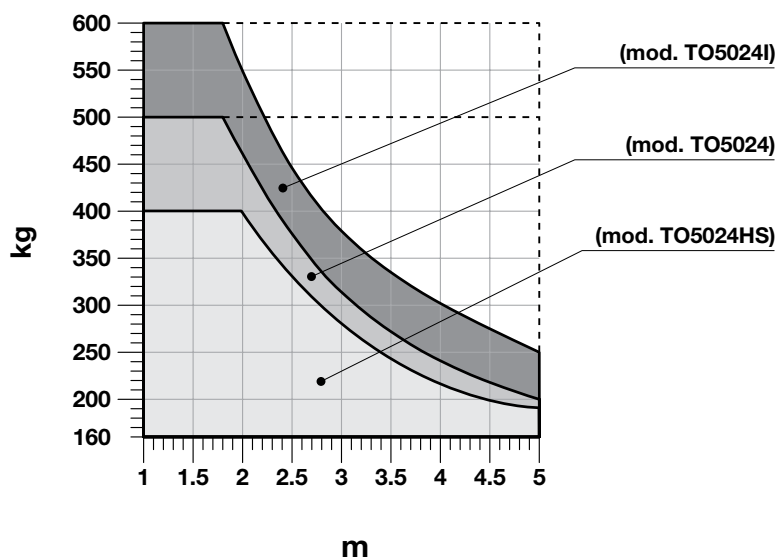
Toona 4



kg:

- EN - Maximum weight of the gate leaf
- IT - Peso massimo dell'anta del cancello
- FR - Poids maximum du vantail du portail
- ES - Peso máximo de la hoja de la puerta
- DE - Höchstgewicht des Torflügels
- PL - Ciężar maksymalny skrzydła bramy
- NL - Maximum gewicht van de vleugel van het hekwerk
- RU - максимальный вес створки ворот

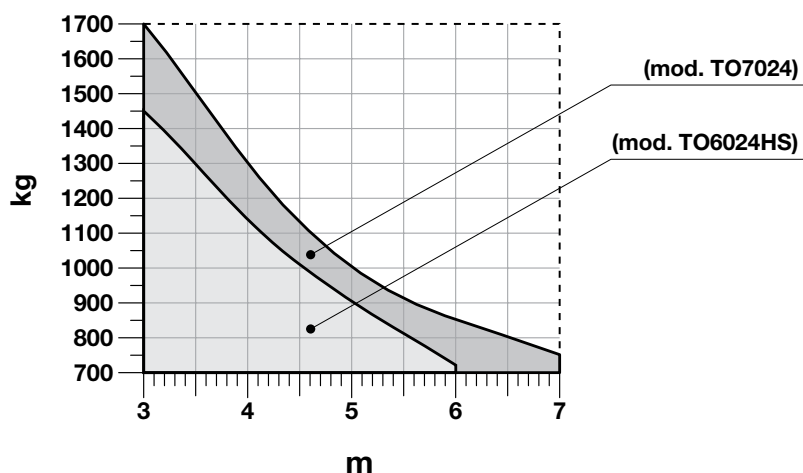
Toona 5



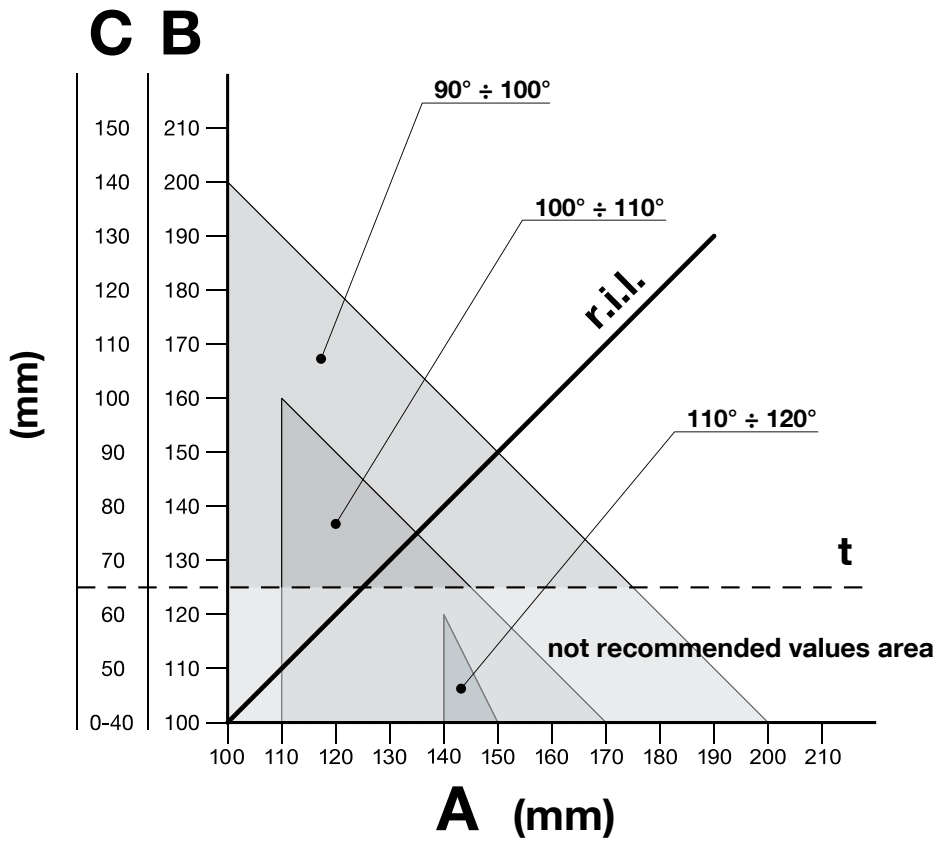
m:

- EN - Maximum length of the gate leaf
- IT - Lunghezza massima dell'anta del cancello
- FR - Longueur maximum du vantail du portail
- ES - Longitud máxima de la hoja de la puerta
- DE - Höchstlänge des Torflügels
- PL - Długość maksymalna skrzydła bramy
- NL - Maximum lengte van de vleugel van het hekwerk
- RU - максимальная длина створки ворот

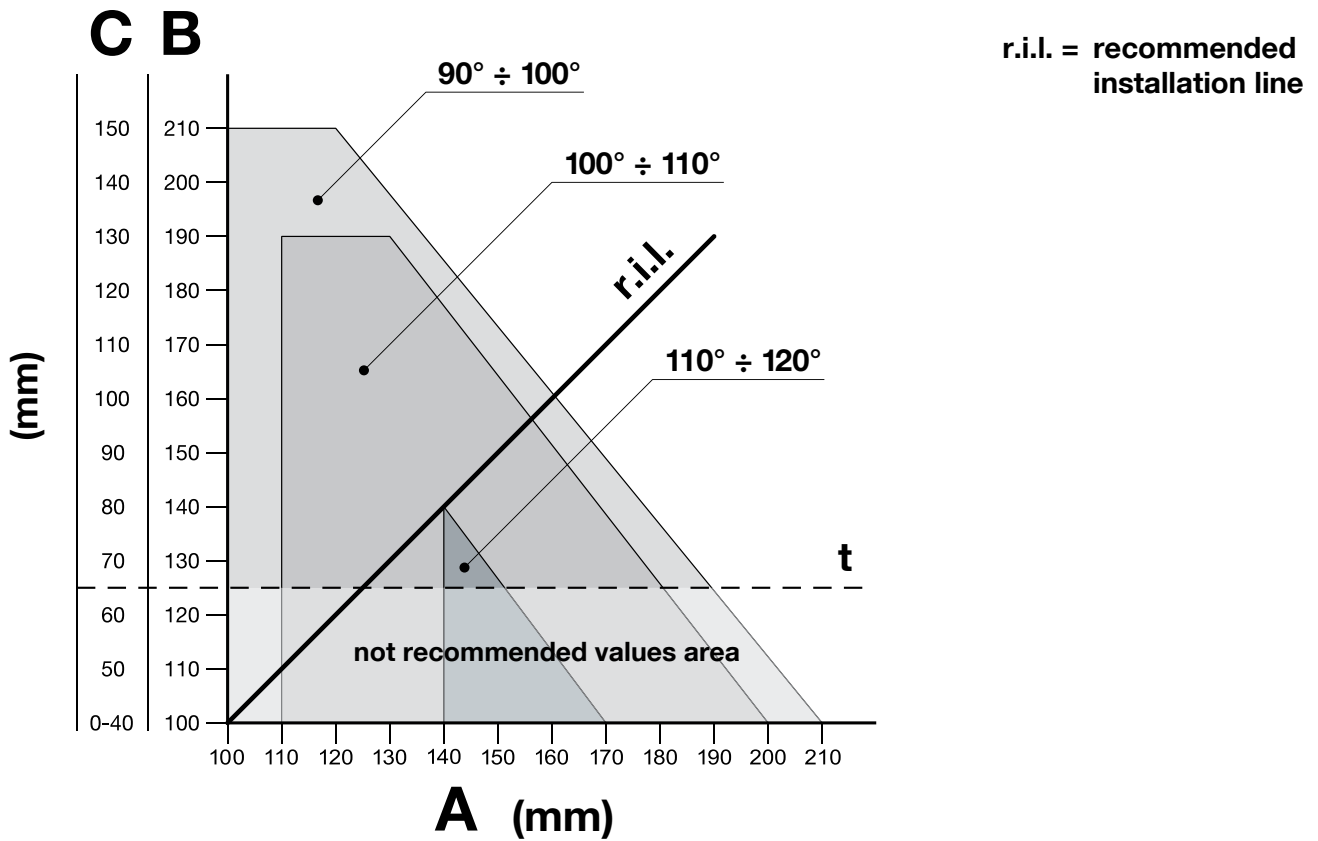
Toona 6-7



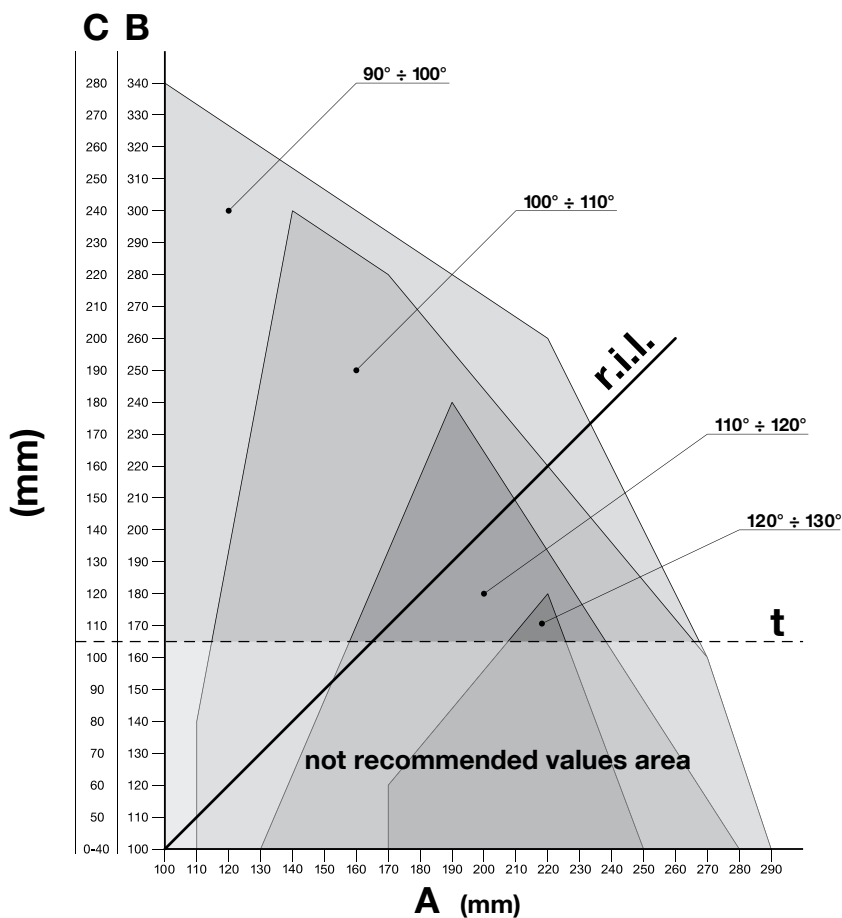
TO4006



TO4005 - TO4015 - TO4024 - TO4605

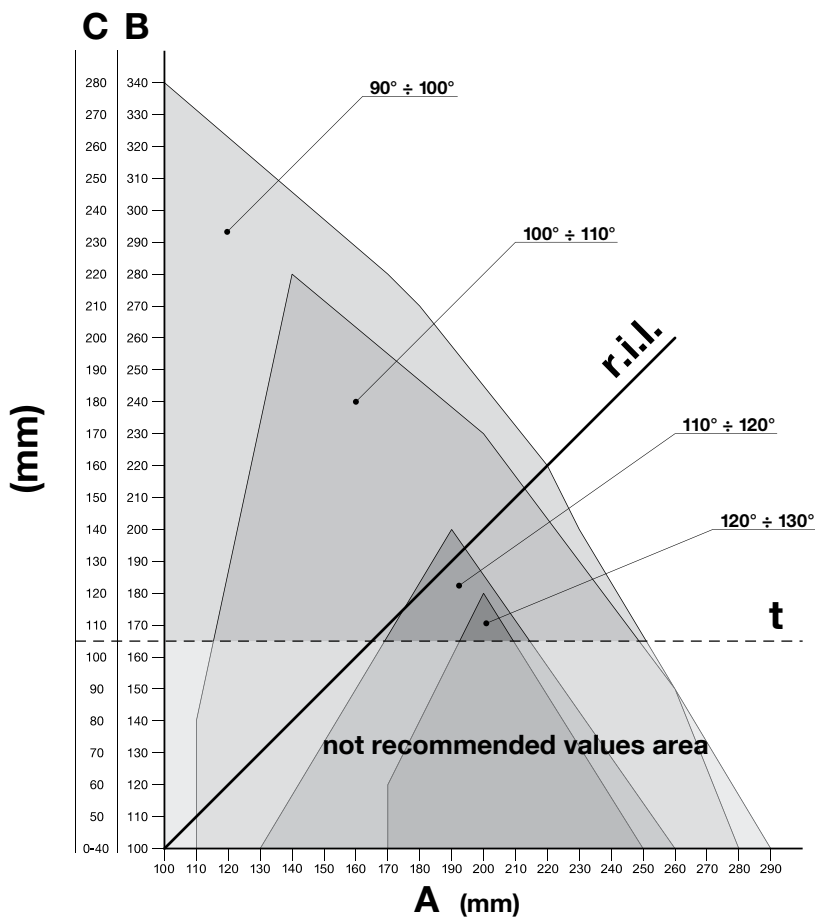


TO5015 - TO5605 - TO5024 - TO5024I - TO5024HS



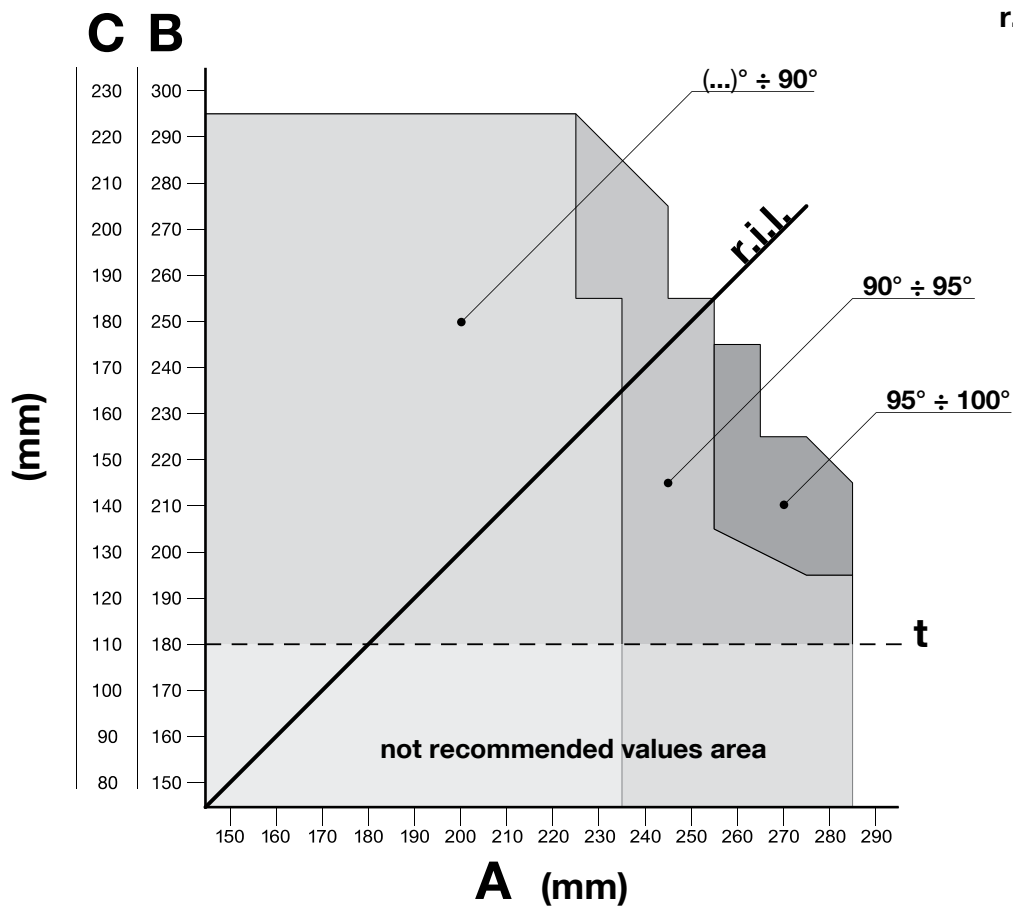
r.i.l. = recommended installation line

TO5016

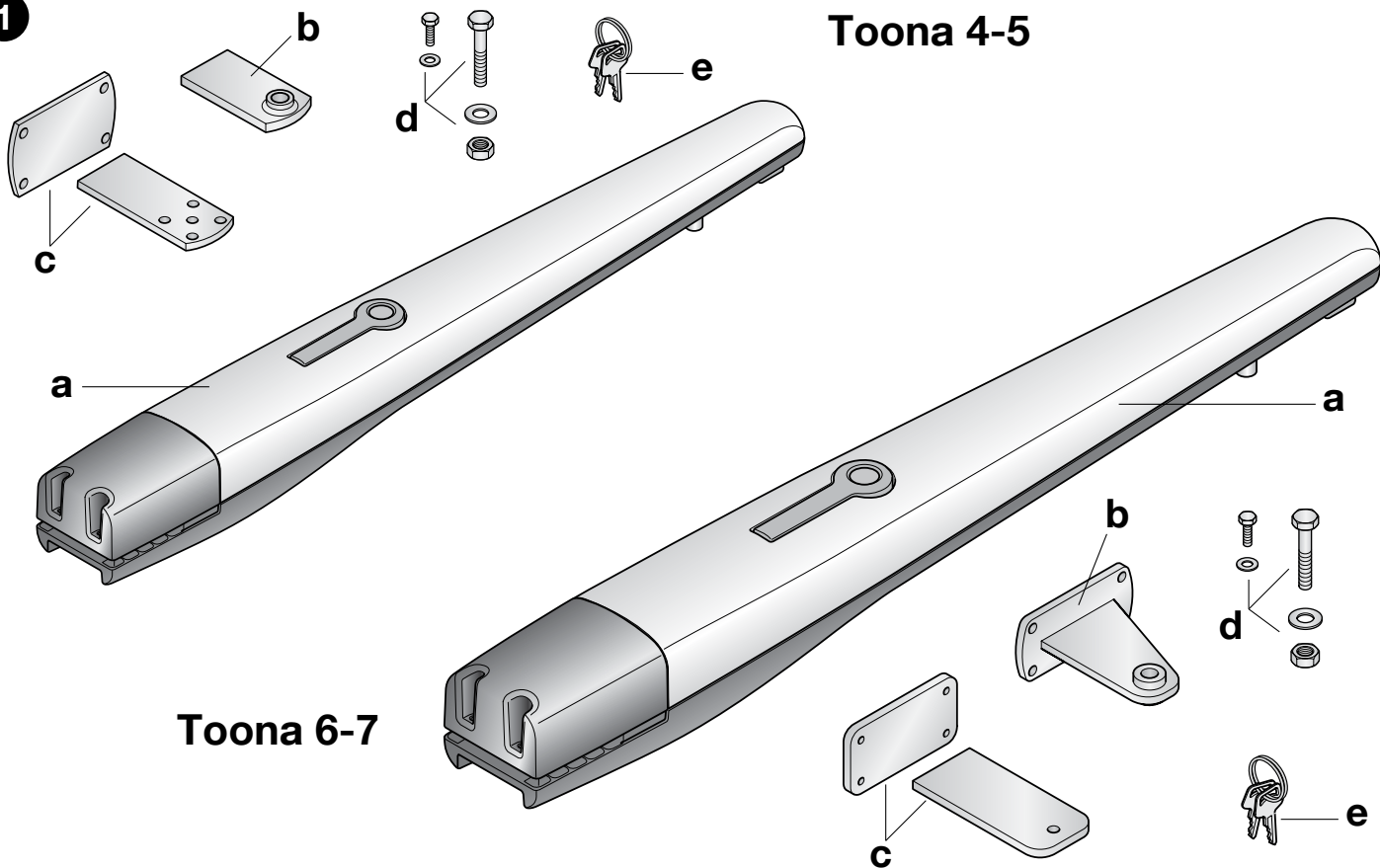


r.i.l. = recommended installation line

TO6024HS - TO7024

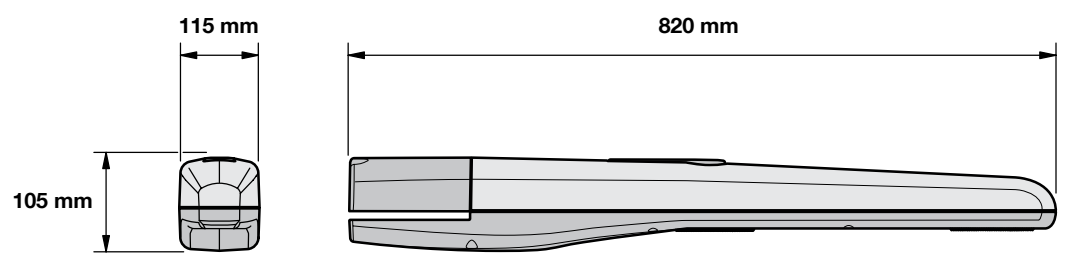


1 Toona 4-5

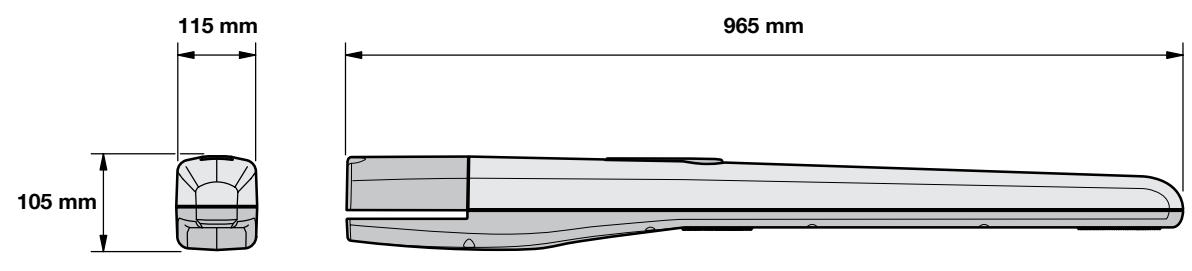


2

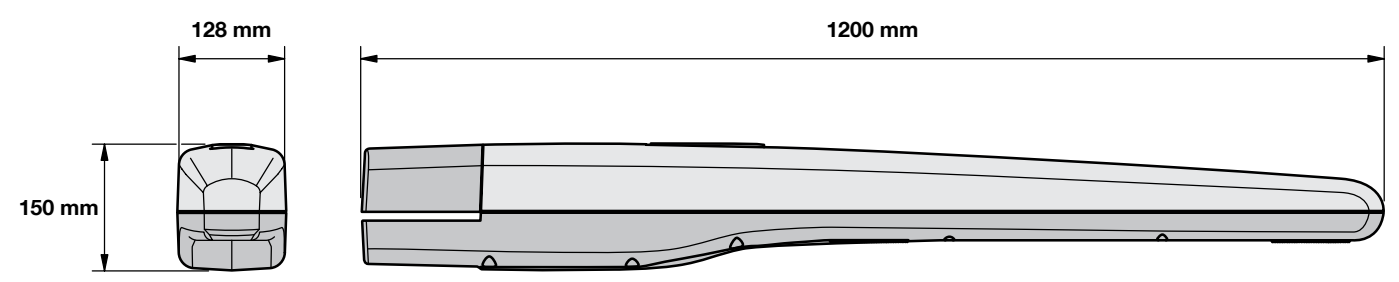
Toona 4



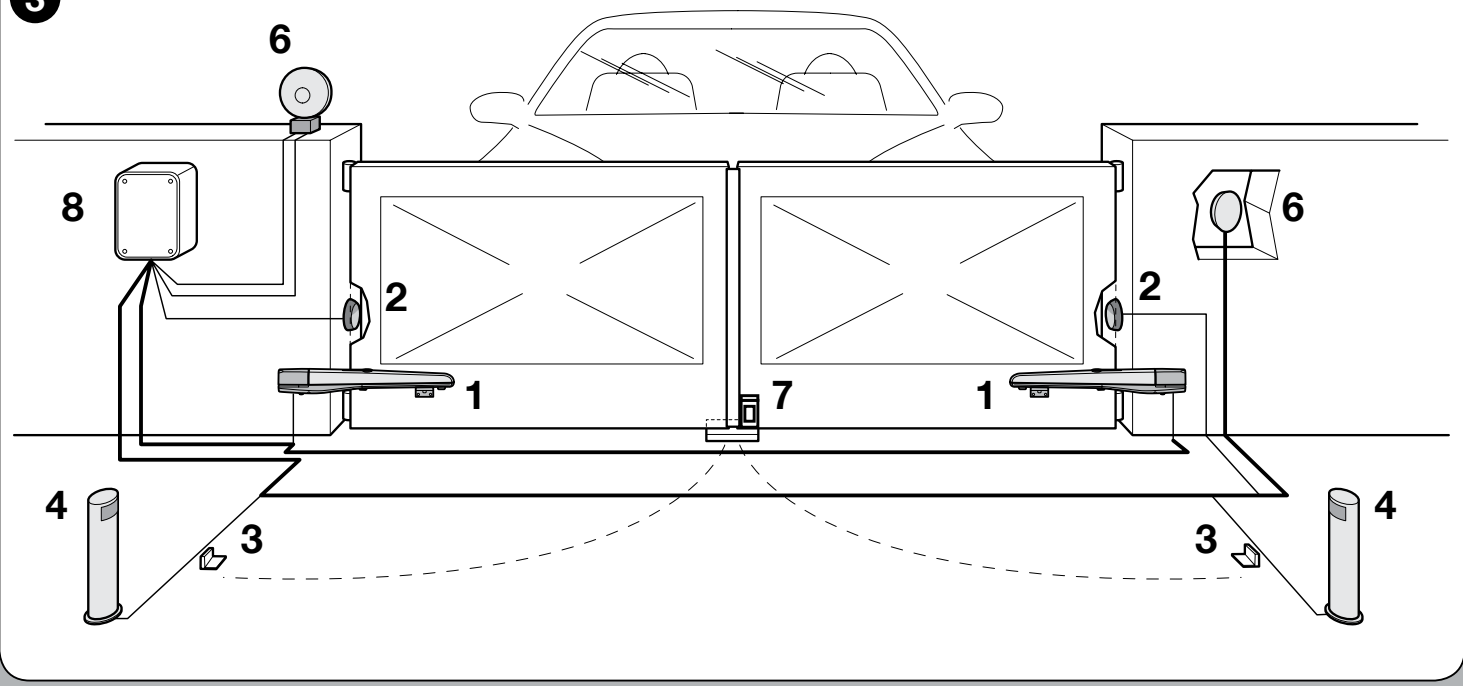
Toona 5



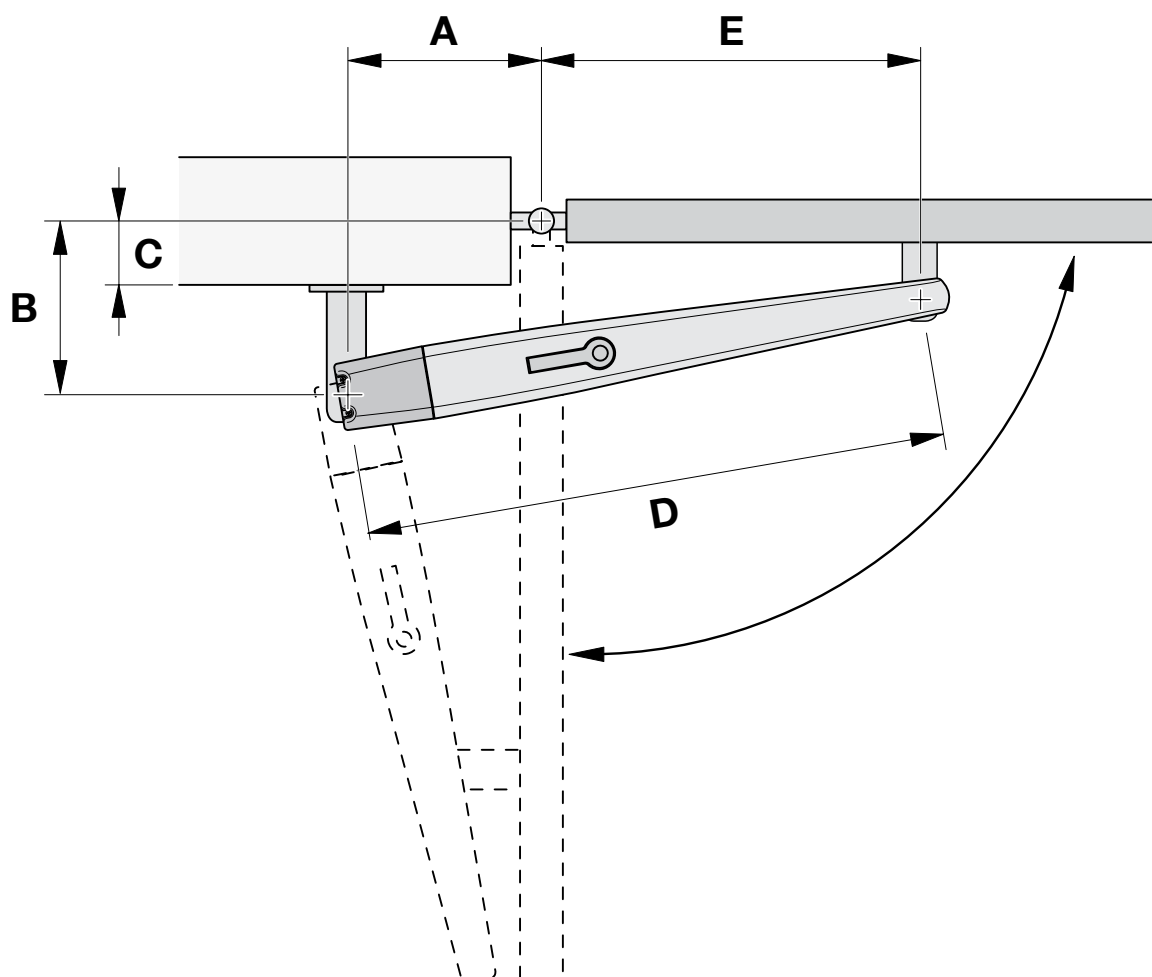
Toona 6-7



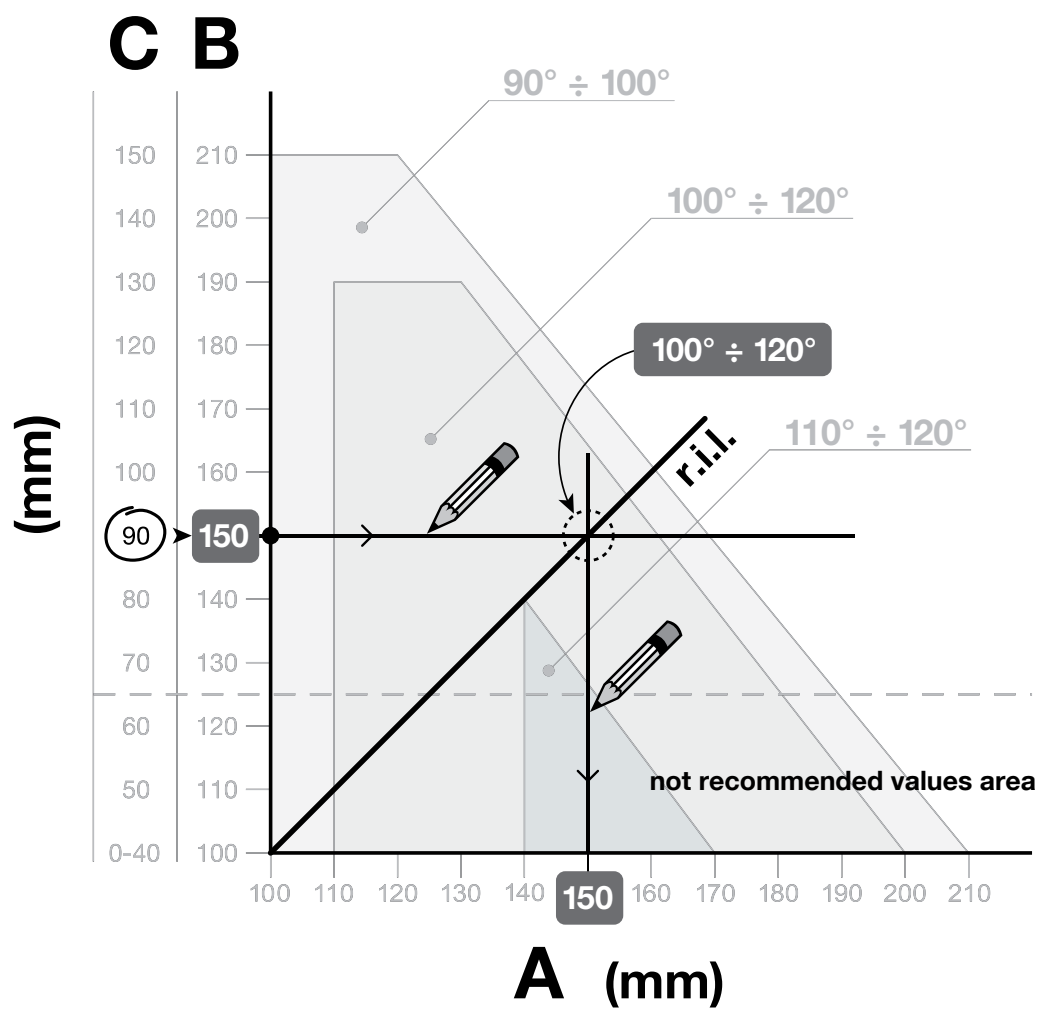
3



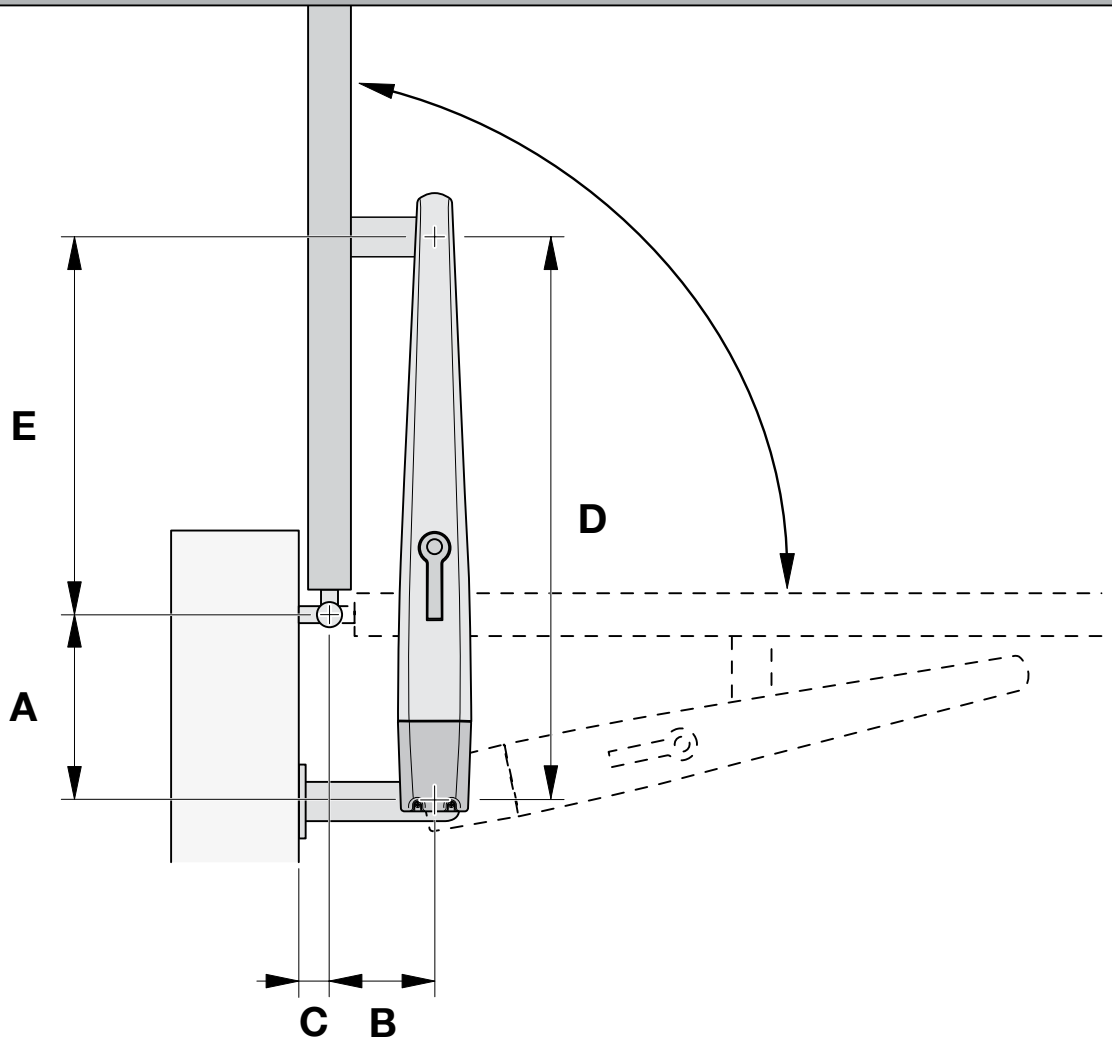
4



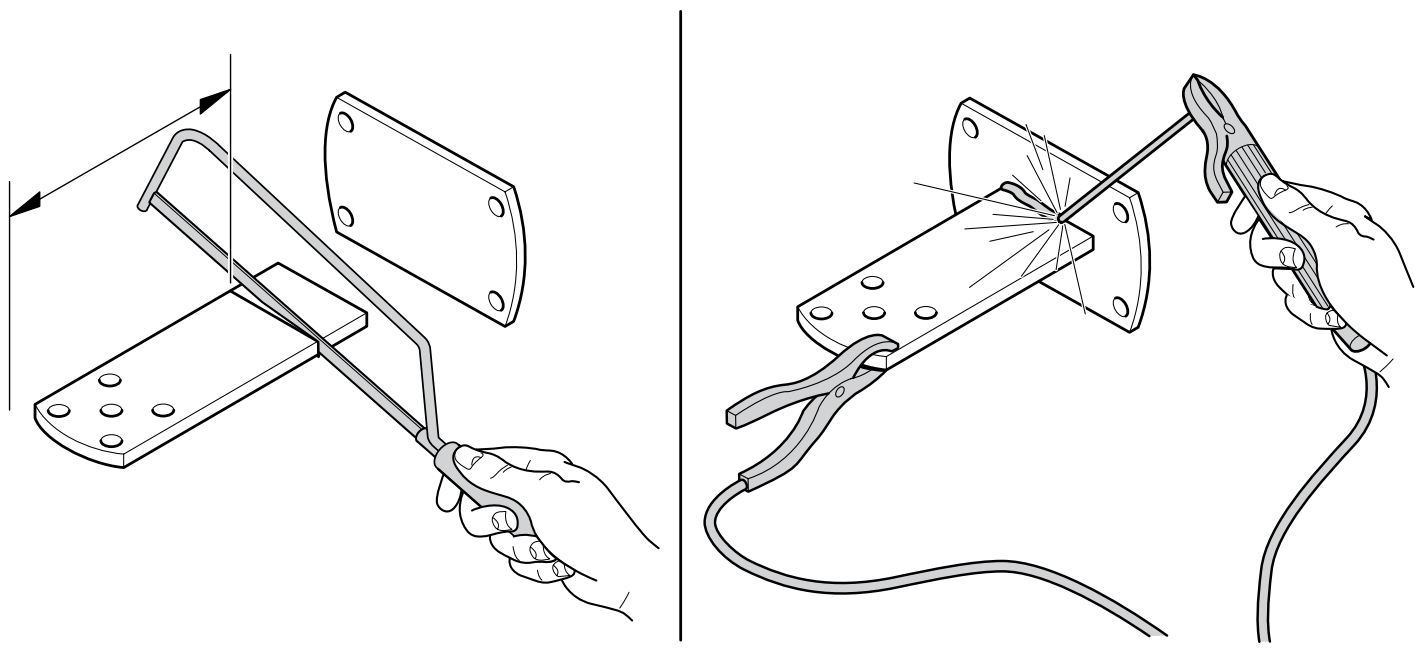
5



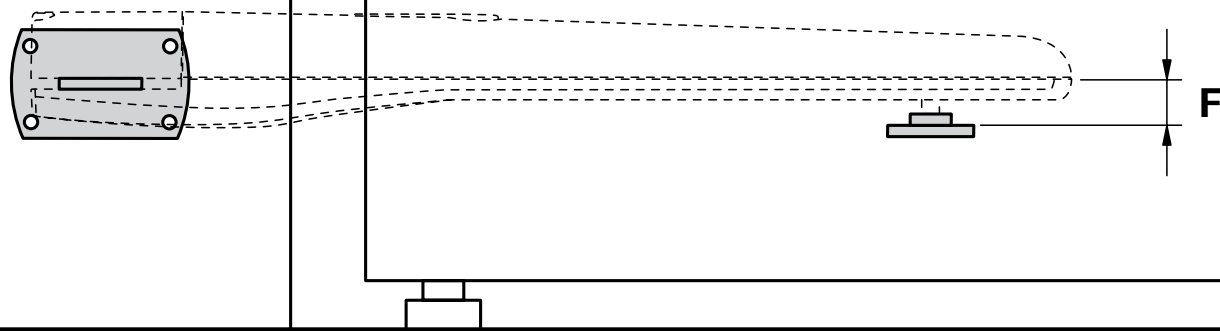
6



7



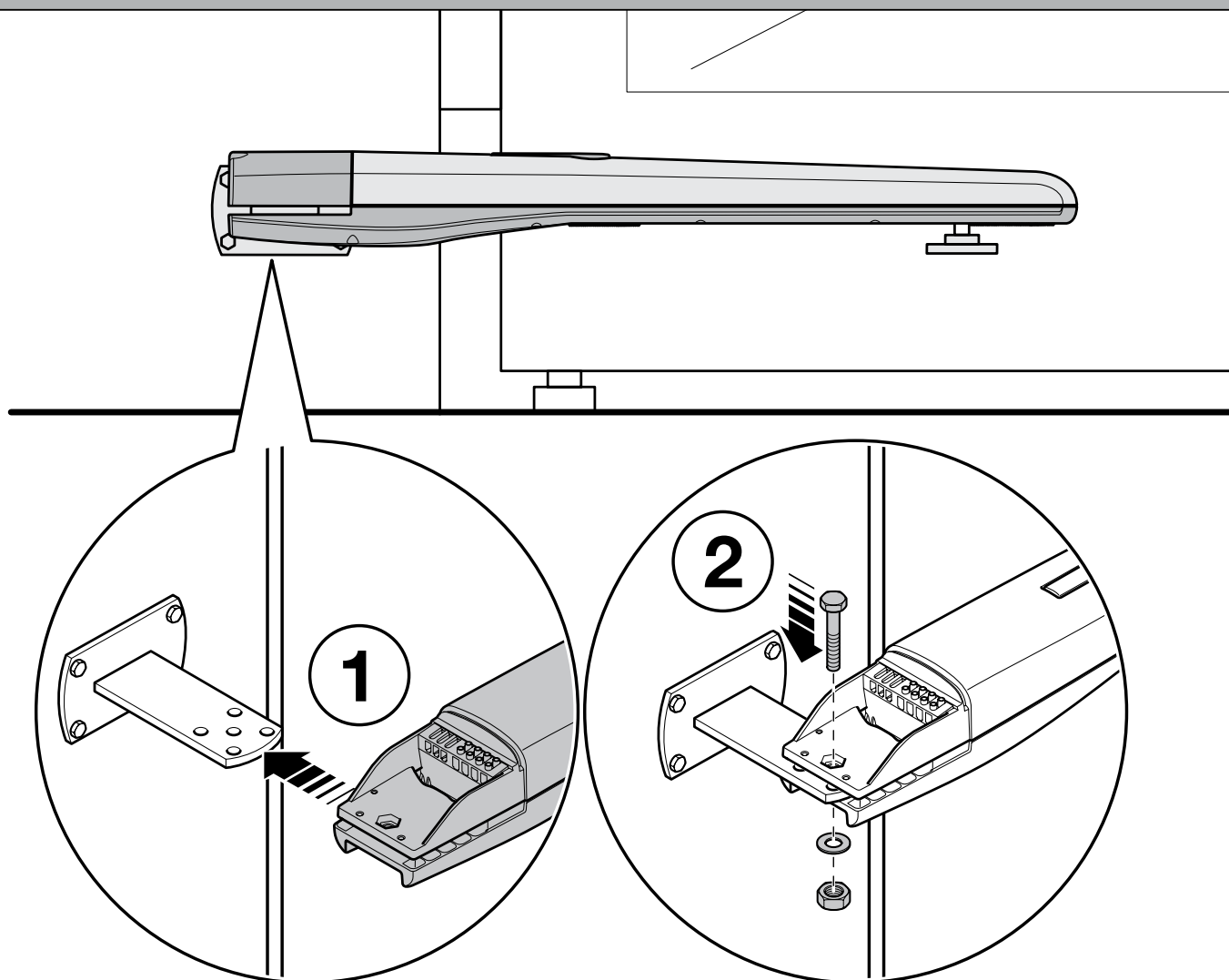
8



Toona 4-5: $F = 34 \text{ mm}$

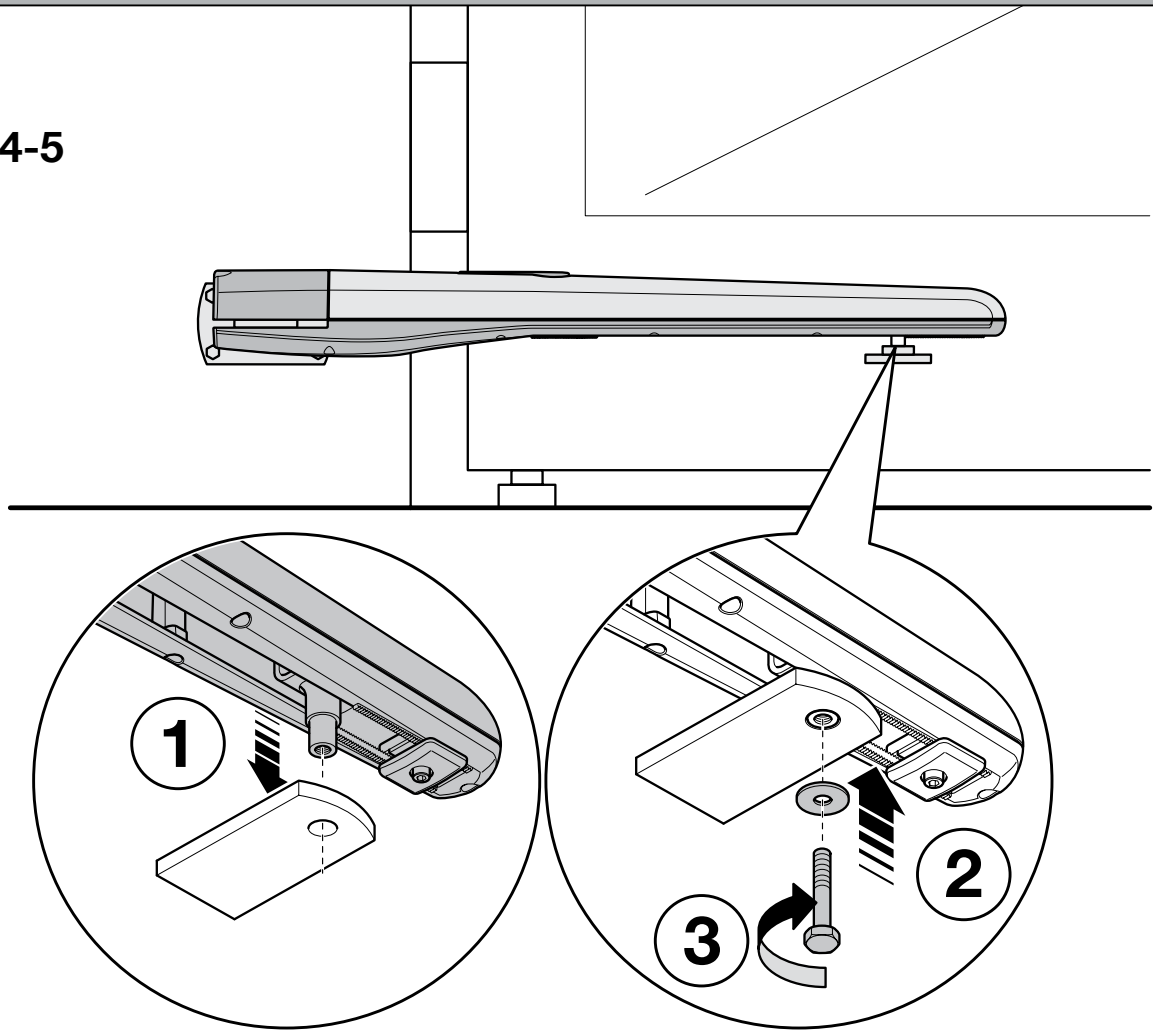
Toona 6-7: $F = 50 \text{ mm}$

9

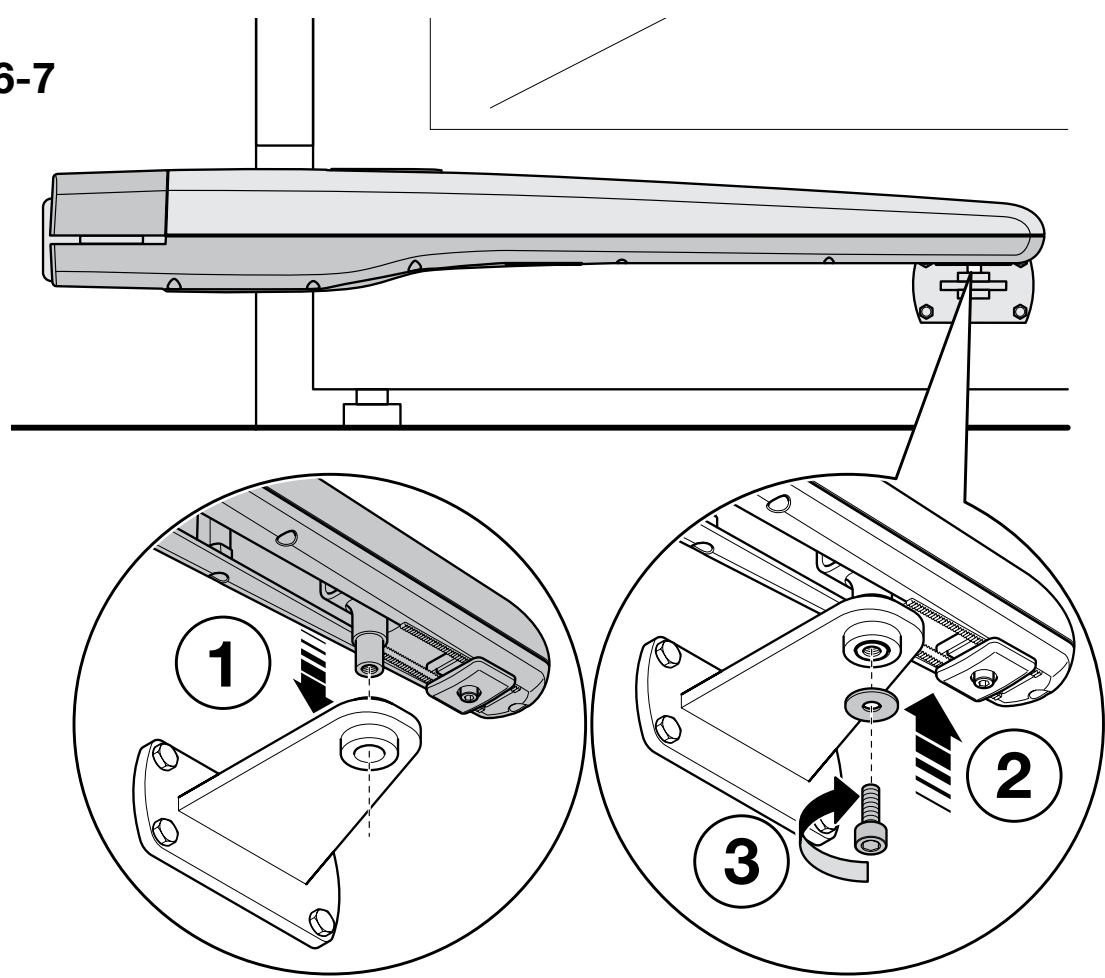


10

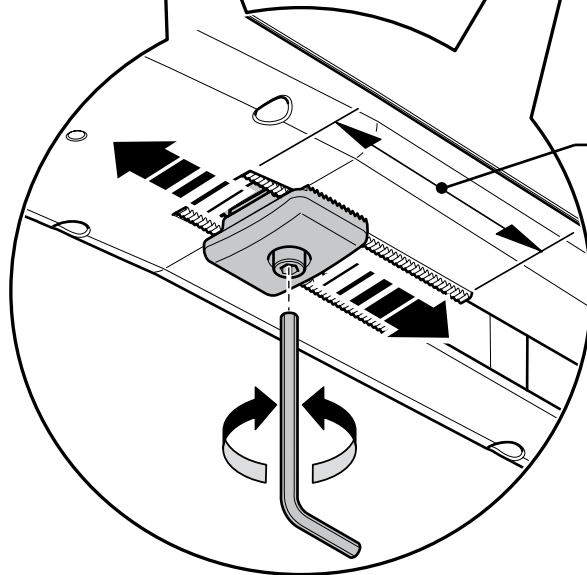
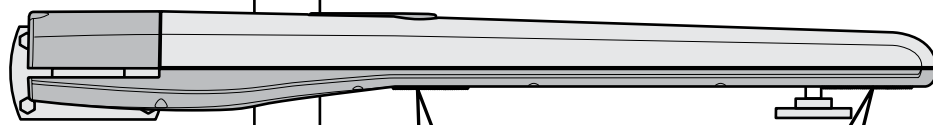
Toona 4-5



Toona 6-7



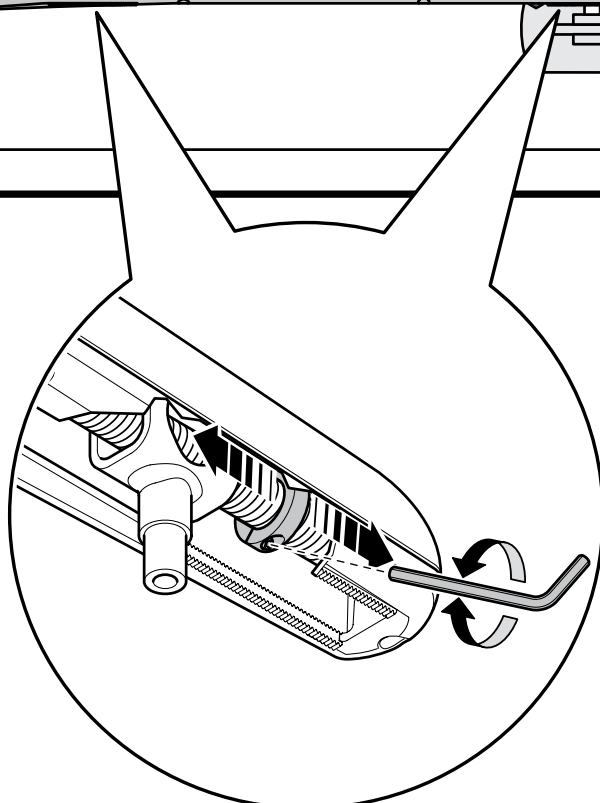
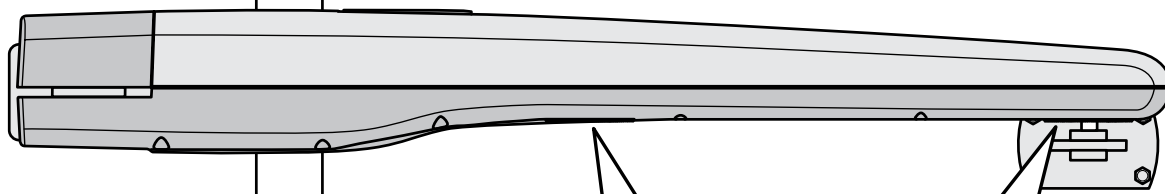
11



100 mm max

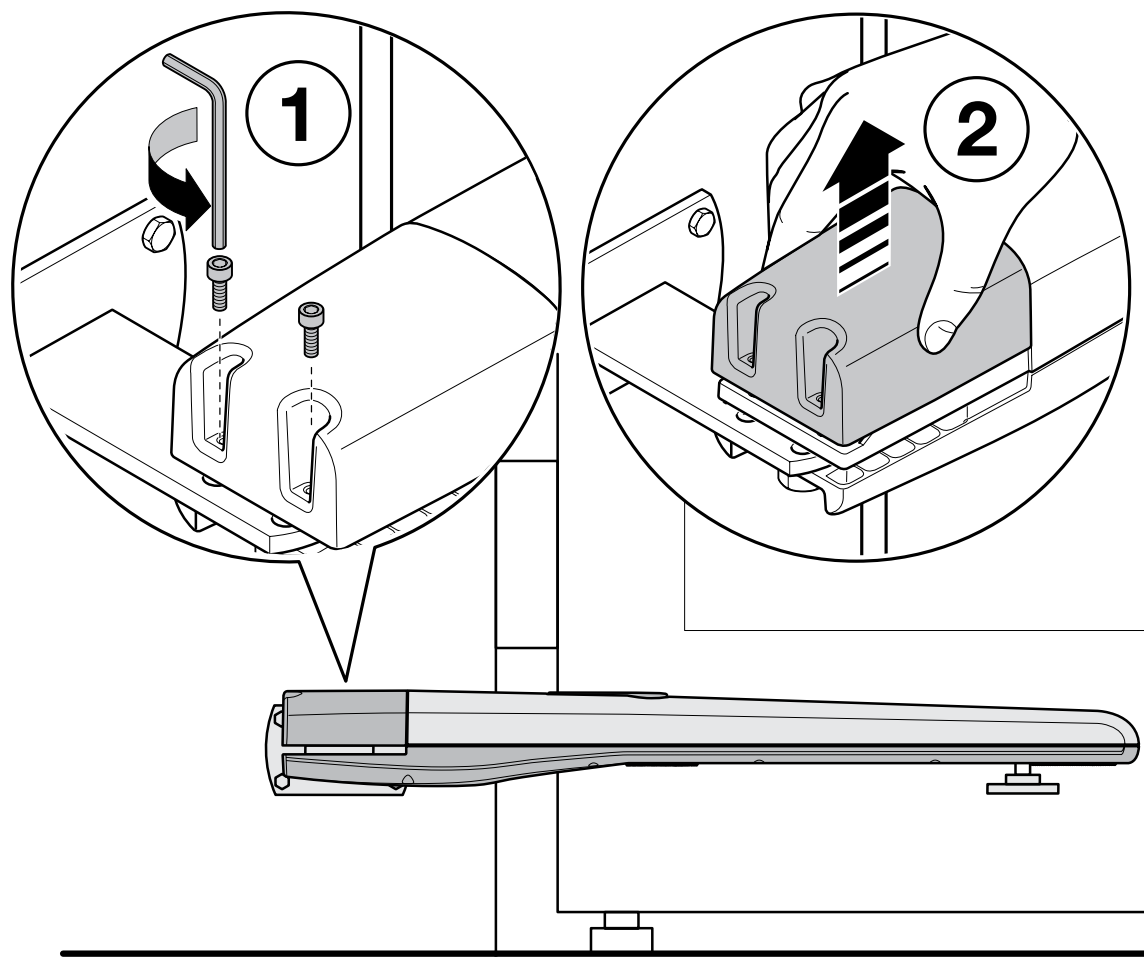
Toona 4-5

12

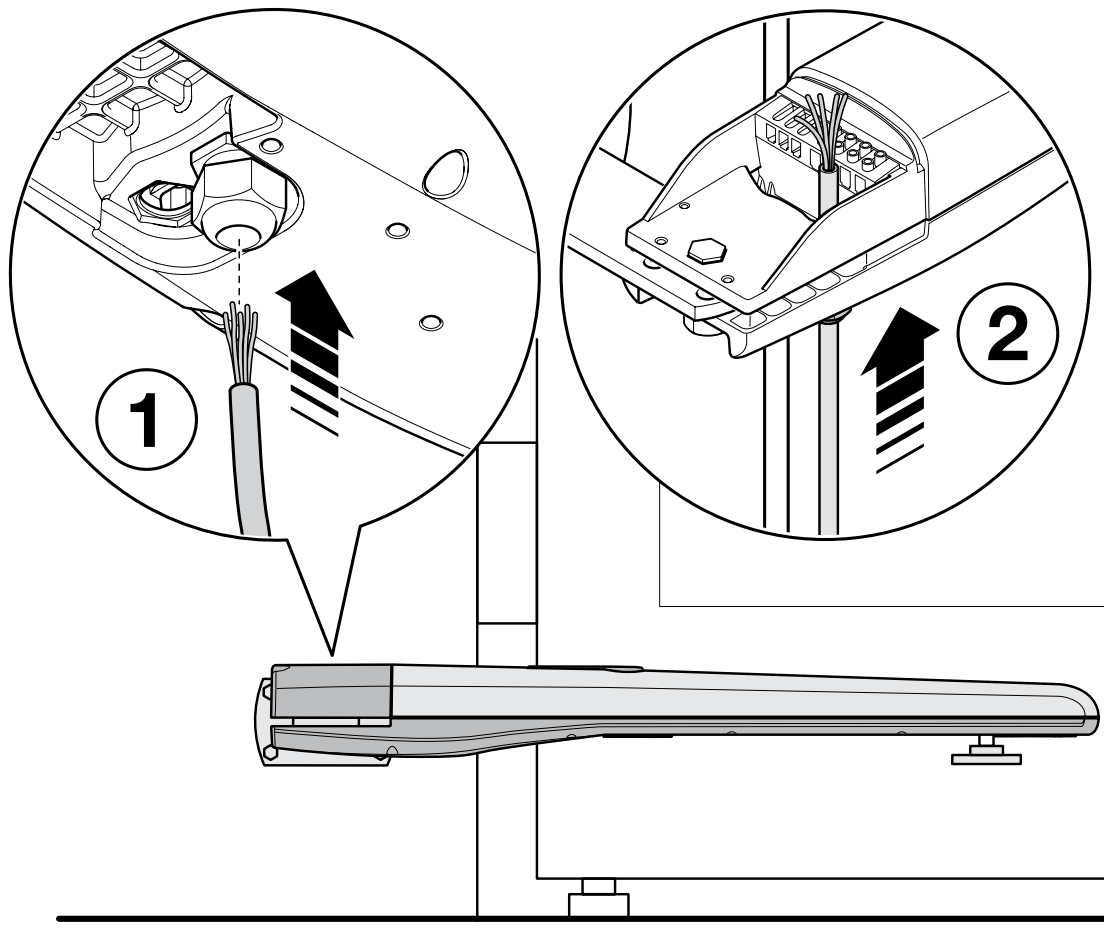


Toona 6-7

13

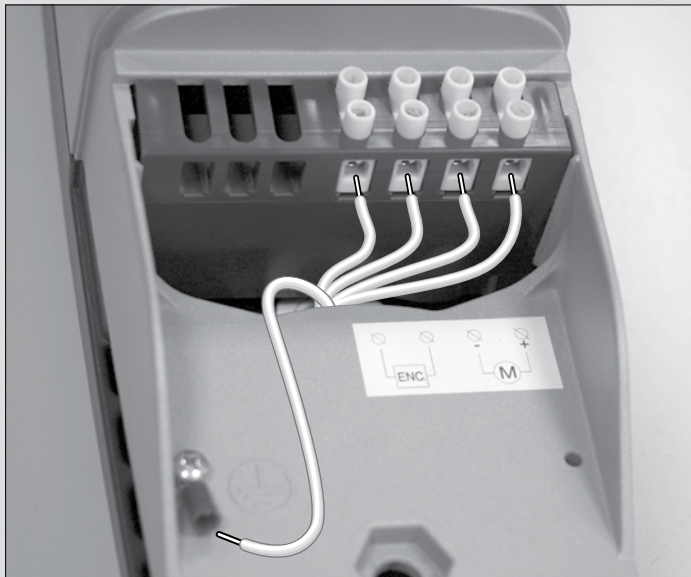


14

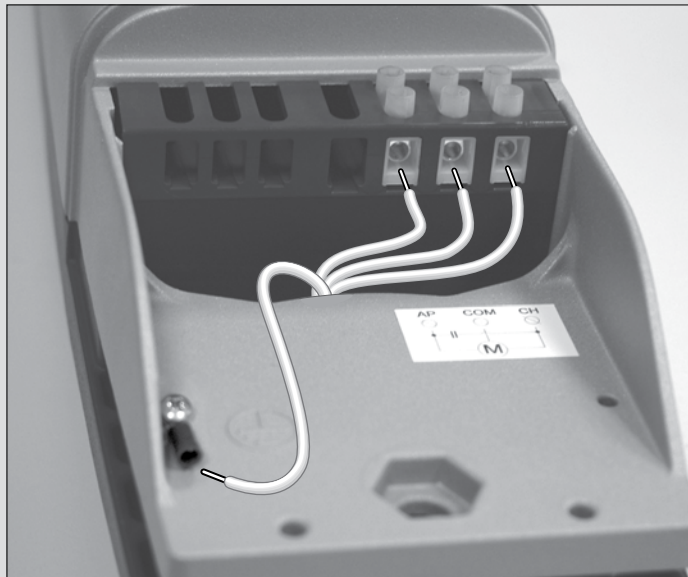


15

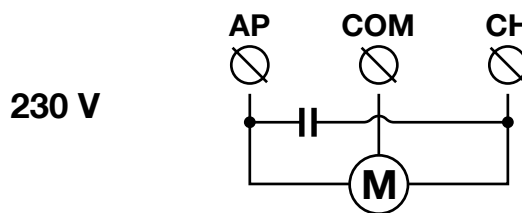
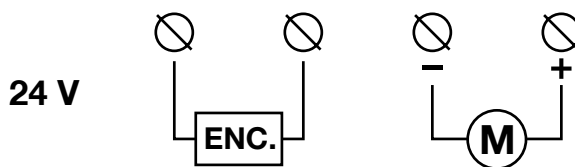
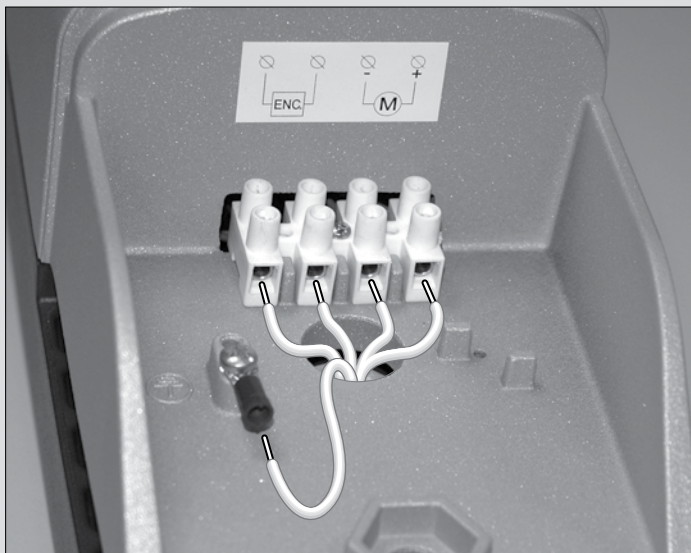
Toona 4-5 (24 V)



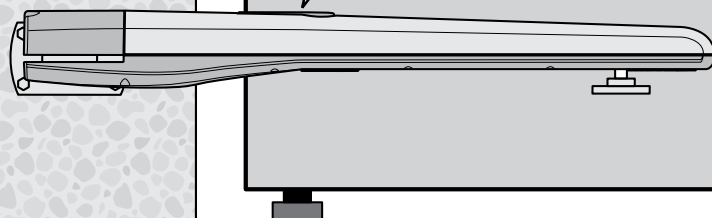
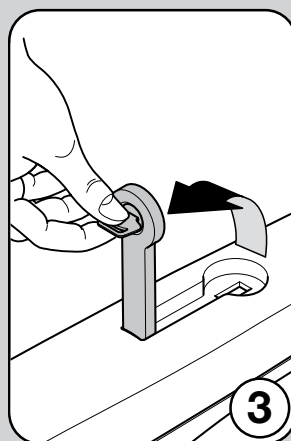
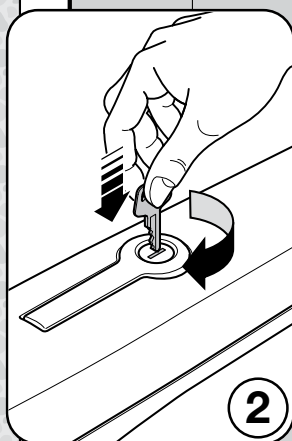
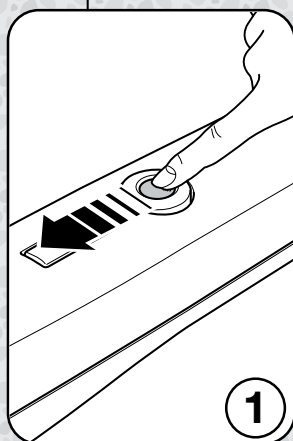
Toona 4-5 (230 V)



Toona 6-7 (24 V)



16



EN
IT
FR
ES
DE
PL
NL
RU

This product has been designed to automate gates or doors with leaf opening, for residential or industrial use. **CAUTION! – Any other use different to that described and in ambient conditions different to those set out in this manual is to be considered improper and forbidden!**

The product is an electromechanical gear motor, equipped with a 24 v continuous current or 230V (depending on the model) alternate current motor and an endless screw reduction gear.

The gear motor is powered by the external control unit to which it is connected. In the event of a black out, it is possible to move the gate leaves by hand, unblocking the gear motor manually.

Fig. 1 shows all the components provided in the package (according to the model chosen):

- [a] - electromechanical gear motor
- [b] - front bracket (for fixing the gear motor to the gate leaf)
- [c] - rear bracket and plate (for fixing the gear motor to the wall)
- [d] - metal parts (screws, washers, etc.)
- [e] - keys to manually unlock the gear motor

3 INSTALLATION

3.1 - Checks before installation

Before installation, check the integrity of the components, suitability of the model chosen and suitability of the environment chosen for the installation.

IMPORTANT – The gear motor cannot automate a manual gate which does not have a safe and efficient mechanical structure. Furthermore, it cannot solve the faults caused by wrong installation or bad maintenance of the gate itself.

3.2 - Suitability of the gate to being automated and the surrounding environment

- Check the mechanical structure of the gate is suited to being automated and conforms to the national laws in force (if necessary make reference to the data on the gate label).
- Moving the gate leaf manually in Open and Close position, check the movement occurs with equal and constant attrition at each point of the stroke (there must be no moments of greater effort).
- Check the gate leaf remains balanced, that it does not move if brought manually to any position and left stopped.
- Check the space around the gear motor allows to manually unblock the gate leaf, easily and safely.
- Check the surfaces chosen for installing the product are solid and can guarantee stable fixing.
- Check the fixing zone of the gear motor is compatible with the size of the latter, see **fig. 2**: the correct Opening movement of the gate and the force the motor exerts to perform it, depend on the position in which the rear fixing bracket is secured. Therefore, before installing it is necessary to make reference to **graph 2** to define the maximum Opening angle of the leaf and the force of the motor, suited to the individual system.

3.3 - Limits of use of the product

Before installing the product, check the gate leaf is the right size and weight and falls within the limits shown in **graph 1**.

3.4 - Preparing for installation

Fig. 3 shows an example of an automation system designed with **Nice** components. These components are positioned according to a typical and usual scheme. Making reference to **fig. 3**, decide the approximate position in which to install each component envisaged by the system and the most appropriate connection diagram.

Useful components for producing a complete system (fig. 3):

- 1 - Electromechanical gear motors
- 2 - Couple of photocells
- 3 - Couple of stop blocks (in Opening)
- 4 - Columns for photocells
- 5 - Flashing signalling device with incorporated antenna
- 6 - Key selector switch or digital keypad
- 7 - Vertical electrical locking (only for reversible models)
- 8 - Control unit

3.5 - Installation of fixing brackets and gear motor

3.5.1 – Installation of rear fixing bracket

Calculate the position of the rear bracket using **graph 2**.

This graph serves to establish **dimensions A** and **B** and the **value of the**

1 GENERAL SAFETY WARNINGS AND PRECAUTIONS

Safety warnings

- **CAUTION! - This manual contains important instructions and warnings for personal safety.** Wrong installation can cause serious injuries. Before starting work read all the manual carefully. If in doubt, stop installation and ask the Nice Assistance Department for clarifications.
- **CAUTION! – According to the most recent European legislation, the realisation of an automatic door or gate must comply with the regulations of Directive 98/37/CE (Machine Directive) and in particular, standards EN 12445; EN 12543; EN 12635 and EN 13214-1, which declare the presumed conformity of the automation. In consideration of this, all the installation, connection, inspection and maintenance operations of the product must be performed exclusively by a qualified and competent technician!**
- **CAUTION! – Important instructions: keep this manual for any possible future requirement for maintenance and disposal of the product.**

Warnings for installation

- Before installing check if this product is suited to automating your gate or door (see chapter 3 and “Technical features of the product”). If unsuitable, DO NOT proceed with the installation.
- Include a disconnection device in the power supply system with an opening distance between the contacts to permit full disconnection in the conditions dictated by the category of surcharge III.
- **All the installation and maintenance operations must occur with the automation disconnected from the electrical power supply.** If the disconnection device of the power supply is not visible from the area where the automatism is located, before starting the work it is necessary to attach a sign with the text “CAUTION! MAINTENANCE IN PROGRESS” on the disconnection device.
- During installation handle the automatism with care avoiding crushing, knocks, falls or contact with liquids of any kind. Do not place the product near sources of heat, or expose it to naked flames. All these activities can damage and cause malfunctions or dangerous situations. If this occurs, stop the installation immediately and contact the Nice Assistance Department.
- Do not make alterations to any part of the product. Operations which are not permitted will cause only malfunctions. The manufacturer declines any liability for damage caused by arbitrary alterations to the product.
- If the gate or the door to be automated is fitted with a pedestrian door it is necessary to include a control system in the installation to prevent the operation of the motor when the pedestrian door is open.
- Check there are no trapping points towards fixed parts when the leaf of the gate is in the maximum Open position, if necessary protect these parts.
- The push button control on the wall must be positioned in sight of the automation, away from the moving parts, at a minimum height of 1.5 m from the ground and it must not be accessible to the public.
- The product packaging material must be disposed of respecting the local regulations in force.

maximum opening angle of the leaf. **Important – The values of A and B must be similar to allow linear movement of the automation.**

01. Measure **dimension C** (fig. 4) on the fixing side;
02. On **graph 2**, identify **dimension C** found and trace a **horizontal line** that determines the value of **dimension B (*)** as shown in the example of **fig. 5**; the meeting point with line "r.i.l" (installation line recommended) determines the value of the angle of maximum opening. From this point, trace a **vertical line** as shown in the example of **fig. 5** to determine the value of **dimension A**.
If the angle found does not correspond to the requirements, adapt dimension A and if necessary dimension B, so they are similar.
(*) Do not use values of dimension B below the line "t" (see graph 2).
03. Before being fixed to the wall the bracket must be sealed to the specific fixing plate (fig. 7); if necessary the bracket can be cut adapting values of dimensions A and B.
Note – The bracket supplied for the Toona series 4-5 gear motor, measures 150 mm in length; in the event of special applications or in the event of a gate equipped with external opening (fig. 6) use bracket mod. PLA6 (accessory).
CAUTION! – Before securing the rear bracket, check the fixing zone of the front bracket is in a solid part of the leaf, as this bracket must be fixed at a different height of the rear bracket (fig. 8).
04. At this point, fix the bracket using dowels, screws and washers required (not supplied).

3.5.2 – Installation of front fixing bracket

The front bracket must be fixed to the gate leaf respecting the values of **dimensions D and E** (Fig. 4).

Note – The bracket supplied for the Toona series 4-5 gear motor must be welded directly to the gate leaf. If this is not possible, use bracket mod. PLA8 (accessory).

01. Establish the value of **dimension E** using **Table 1**;
02. Establish the height in which to position the front bracket, referring to **fig. 8**;
03. Fix the bracket to the solid part of the gate leaf.

3.5.3 – Installation of the gear motor on the fixing brackets

• Installing the gear motor on the rear bracket:

01. Fix the gear motor to the bracket as shown in **fig. 9** using the screw, washer and nut supplied;
02. Tighten the nut to the end and then loosen by 1/10 of a turn to allow minimum clearance between the parts.

• Installing the gear motor on the front bracket:

01. Fix the gear motor to the bracket as shown in **fig. 10** using the screw,

washer and nut supplied;

02. Tighten the screw to the end.

03. Fix the label provided in the package, dealing with the unblocking and blocking operations of the gear motor, permanently close to the gear motor

3.6 - Setting the mechanical limit switch

The mechanical limit switch allows to set the stop position of the gate leaf, in this way, it is not necessary to use the stop blocks and the leaf does not hit against these at the end of the manoeuvre.

• Toona series 4-5 (24 V)

WARNING – In the event of applications with a gate equipped with opening towards the outside (fig. 6) it is necessary to invert the power supply wires. Set the **limit switch in Opening** of the gear motor as follows:

01. Unblock the gear motor as shown in **fig. 16**;
02. Loosen the mechanical stop screw;
03. Bring the gate leaf manually to the Open position required;
04. Then, bring the mechanical stop to the end of the pin and block the screw (fig. 11).
05. Bring the leaf manually to the Close position and block the gear motor.

Note – Gear motors mod. TO4006 and mod. TO5016, are provided with a mechanical limit switch also for the Closing manoeuvre. If in possession of one of these models, to set the mechanical limit switch repeat the procedure described above, with a variation at **point 03**, in this case, bring the gate leaf manually in the required **Closing** position.

• Toona series 4-5 (230 V)

The Toona series 4-5 gear motors arranged for an alternate current of 230V, come with mechanical stop with micro switch which, on contact with the pin interrupts the electrical power supply. **WARNING – In the event of applications with a gate equipped with opening towards the outside (fig. 6) it is necessary to invert the power supply wires.**

• Toona series 6-7

Set the **limit switch in Opening** and **Closing** of the gear motor;

01. Unblock the gear motor as shown in **fig. 16**;
02. Move the leaf manually until the mechanical stop screw is visible and loosen the screw;
03. Bring the gate leaf manually to the Open position required;
04. Then, bring the mechanical stop to the end of the pin and block the screw (fig. 12);
05. At this point repeat this procedure bringing the leaf manually to the position of maximum Closure, to set the limit switch in Closure;
06. Finally, block the gear motor.

TABLE 1

	Toona 4					Toona 5					Toona 6-7
	TO4005	TO4006	TO4015	TO4605	TO4024	TO5015	TO5016	TO5605	TO5024 TO5024HS	TO5024I	
D (mm):	730	695	730	730	730	880	845	880	880	880	1070
A (mm)	E (mm)					E (mm)					E (mm)
100	630	595	630	630	630	780	745	780	780	780	
110	620	585	620	620	620	770	735	770	770	770	
120	610	575	610	610	610	760	725	760	760	760	
130	600	565	600	600	600	750	715	750	750	750	
140	590	555	590	590	590	740	705	740	740	740	
150	580	545	580	580	580	730	695	730	730	730	
160	570	535	570	570	570	720	685	720	720	720	
170	560	525	560	560	560	710	675	710	710	710	
180	550	515	550	550	550	700	665	700	700	700	890
190	540	505	540	540	540	690	655	690	690	690	880
200	530	495	530	530	530	680	645	680	680	680	870
210	520	485	530	530	530	670	635	670	670	670	860
220						660	625	660	660	660	850
230						650	615	650	650	650	840
240						640	605	640	640	640	830
250						630	595	630	630	630	820
260						620	585	620	620	620	810
270						610	575	610	610	610	800
280						600	565	600	600	600	790

4 ELECTRICAL CONNECTIONS

CAUTION!

- **A wrong connection can cause faults or danger; therefore follow scrupulously the connections set out.**
- **Perform the connection operations when the electricity is off.**

To connect the gear motor to the control unit, proceed as follows:

- 01.** Remove the lid of the gear motor as shown in **fig. 13**;
- 02.** Loosen the cableway of the gear motor and insert the connecting cables inside it (**fig. 14**);
- 03.** Connect the various wires and grounding cable, exactly as shown in the wiring diagram of **fig. 15**;
- 04.** Replace lid on gear motor.

To check the connections, direction of rotation of the motor, phase shift in the movement of the leaves and setting the limit switch, refer to the instructions manual of the control unit.

IMPORTANT – With a gate configured with opening towards the outside invert the power supply wires with respect to the standard installation.

5 INSPECTING THE AUTOMATION

This is the most important phase in realising the automation to guarantee maximum safety. The inspection can be used also to periodically check the devices which make up the automatism.

The inspection of the entire system must be performed by expert and qualified staff who must take responsibility of the tests requested, depending on the risk involved and to check compliance of what is set out by laws, rules and regulations and in particular all the requirements of regulation EN 12445 which establishes the testing methods to verify gate automatisms.

Inspection

Each single component of the automatism, for example sensitive edges, photocells, emergency shutdowns, etc. requires a specific inspection phase; for these devices follow the procedures shown in the respective instruction manuals. For inspection of the gear motor follow the operations below:

- 01.** Check that everything in this manual and in particular in chapter 1 has been rigorously complied with;
- 02.** Unblock the gear motor as shown in **fig. 16**;
- 03.** Check it is possible to manually move the leaf when opening and closing with a force no greater than 390N (approx. 40 kg);
- 04.** Block the gear motor and connect the electrical power supply;
- 05.** Using the control or shutdown devices envisaged (key selector switch, control buttons or radio transmitters), perform a number of opening, closing and stopping tests of the gate and check it behaves as it should;
- 06.** Check the correct operation of all the safety devices one by one in the system (photocells, sensitive edges, emergency shutdown, etc.) and check the gate behaves as it should;
- 07.** Command a closing manoeuvre and check the force of the impact of the leaf against the end of the mechanical limit switch. If necessary, try to unload the pressure, finding a setting which gives better results;
- 08.** If the dangerous situations caused by the movement of the leaf have been protected by limiting the force of impact the force must be measured as required by regulation EN 12445;

Note – The gear motor is not provided with torque setting devices, such regulations are done by the Control unit.

Putting into operation

This can occur only after having performed, with positive results, all the inspection phases of the gear motor and other devices present. To put it into operation refer to the instructions manual of the control unit.

IMPORTANT – **It is forbidden to put into partial or provisional operation.**

6 PRODUCT MAINTENANCE

To keep the level of safety consistent and to guarantee maximum life of the entire automation it is necessary to maintain it regularly.

The maintenance must be performed in line with the safety instructions of this manual and according to what is set out by the laws and regulations in force. For the gear motor a programmed maintenance within no more than 6 months is required.

Maintenance operations:

- 01.** Disconnect any sources of electricity.
- 02.** Check the status of deterioration of all the materials which make up the automation with particular attention to signs of erosion or oxidation of the structural parts: replace the parts which do not provide sufficient guarantees.
- 03.** Check the screw connections are sufficiently tight.
- 04.** Check the bolt and endless screw are suitably greased.
- 05.** Check the wear of the moving parts and, if necessary, replace used parts.
- 06.** Reconnect the sources of electrical power and perform all the tests and checks envisaged in chapter 5.

For the other devices present in the system refer to the individual instruction manuals.

DISPOSAL OF THE PRODUCT

This product is an integral part of the automation, and therefore, they must be disposed of together.

As for the installation operations, at the end of the life of this product, the dismantling operations must be performed by qualified personnel.

This product is made from different types of materials: some can be recycled, others must be disposed of. Please inform yourselves on the recycling or disposal systems provided for by the laws in force in your area, for this category of product.

CAUTION! – some parts of the product can contain polluting or dangerous substances which, if dispersed in the environment, may cause serious harm to the environment and human health.

As indicated by the symbol at the side, it is forbidden to throw this product into domestic refuse. Therefore, follow the “separated collection” instructions for disposal, according to the methods provided for by local regulations in force, or redeliver the product to the retailer at the moment of purchase of a new, equivalent product.



CAUTION! – the regulations in force at local level may envisage heavy sanctions in case of abusive disposal of this product.

TECHNICAL FEATURES OF THE PRODUCT

CAUTIONS: • The technical features set out refer to an ambient temperature of 20°C (± 5°C). • Nice S.p.a. reserves the right to make alterations to the product any time it deems it necessary, keeping the same functionality and destination of use.

Toona series 4					
	TO4005	TO4006	TO4015	TO4605	TO4024
Type	electromechanical gear motor for gates or doors with leaf opening				
Power input	230 Vac 50 Hz	230 Vac 50 Hz	230 Vac 50 Hz	230 Vac 50 Hz	24 Vdc
Maximum absorption	1.5 A	1.5 A	1.5 A	1.3 A	5 A
Nominal absorption	1 A	1 A	1 A	0,9 A	2 A
Maximum absorbed power	340 W	340 W	340 W	300 W	120 W
Nominal absorbed power	180 W	180 W	180 W	160 W	48 W
Capacitor incorporated	7 µF	7 µF	7 µF	7 µF	-
Protection grade	IP 44	IP 44	IP 44	IP 44	IP 44
Travel	385 mm	350 mm	385 mm	385 mm	385 mm
Speed loadless	0,016 m/sec	0,016 m/sec	0,013 m/sec	0,016 m/sec	0,016 m/sec
Speed loaded	0,012 m/sec	0,012 m/sec	0,010 m/sec	0,012 m/sec	0,012 m/sec
Maximum force	1800 N	1800 N	1800 N	1800 N	1800 N
Nominal force	600 N	600 N	600 N	600 N	600 N
Operating temperature	-20 °C to +50 °C	-20 °C to +50 °C	-20 °C to +50 °C	-20 °C to +50 °C	-20 °C to +50 °C
Thermal protection	140 °C	140 °C	140 °C	140 °C	-
Cycles/h at nominal force	58	58	54	50	95
Durability	estimated between 80,000 and 250,000 cycles of manoeuvres according to the conditions set out in Table 2				
Insulation class	F	F	F	F	F
Dimensions (mm)	820 x 115 x 105 h	820 x 115 x 105 h	820 x 115 x 105 h	820 x 115 x 105 h	820 x 115 x 105 h
Weight	6	6 kg	6 kg	6 kg	6 kg

Toona series 5						
	TO5015	TO5016	TO5605	TO5024	TO5024I	TO5024HS
Type	electromechanical gear motor for gates or doors with leaf opening					
Power input	230 Vac 50 Hz	230 Vac 50 Hz	230 Vac 50 Hz	24 Vdc	24 Vdc	24 Vdc
Maximum absorption	1,5 A	1,5 A	1,3 A	5 A	5 A	5 A
Nominal absorption	1 A	1 A	0,9 A	2,2 A	2,2 A	2,5 A
Maximum absorbed power	340 W	340 W	300 W	120 W	120 W	120 W
Nominal absorbed power	180 W	180 W	160 W	48 W	60 W	60 W
Capacitor incorporated	7 µF	7 µF	7 µF	-	-	-
Protection grade	IP 44	IP 44	IP 44	IP 44	IP 44	IP 44
Travel	540 mm	505 mm	540 mm	540 mm	540 mm	505 mm
Speed loadless	0,013 m/sec	0,013 m/sec	0,016 m/sec	0,016 m/sec	0,013 m/sec	0,025 m/s
Speed loaded	0,010 m/sec	0,010 m/sec	0,012 m/sec	0,012 m/sec	0,010 m/sec	0,018 m/s
Maximum force	1800 N	1800 N	1800 N	1800 N	2200 N	1800 N
Nominal force	600 N	600 N	600 N	600 N	800 N	600 N
Operating temperature	-20 °C to +50 °C					
Thermal protection	140 °C	140 °C	140 °C	-	-	-
Cycles/h at nominal force	54	54	50	95	75	75
Durability	estimated between 80,000 and 250,000 cycles of manoeuvres according to the conditions set out in Table 2					
Insulation class	F					
Dimensions (mm)	965 x 115 x 105 h					
Weight	7 kg	7 kg	7 kg	7 kg	8 kg	7,5 kg

Toona series 6-7

	TO6024HS	TO7024
Type	electromechanical gear motor for gates or doors with leaf opening	
Power input	24 Vdc	24 Vdc
Maximum absorption	5 A	5 A
Nominal absorption	2,5 A	2,5 A
Maximum absorbed power	120 W	120 W
Nominal absorbed power	60 W	60 W
Protection grade	IP 44	IP 44
Travel	584 mm	584 mm
Speed loadless	0,016 m/sec	0,013 m/sec
Maximum force	2200 N	2700 N
Nominal force	1200 N	1400 N
Operating temperature	-20 °C to +50 °C	-20 °C to +50 °C
Cycles/h at nominal force	41	41
Durability/Insulation class	estimated between 80,000 and 250,000 cycles of manoeuvres according to the conditions set out in Table 2	
Dimensions (mm)	F	F
Weight	1200 x 128 x 150 h	1200 x 128 x 150 h
Peso	15 kg	15 kg

Durability of the product

Durability is the average economic life of the product. The value of durability is strongly influenced by the demand index of the manoeuvres performed by the automatism: that is the sum of all the factors which contribute to the wear of the product (see Table 2).

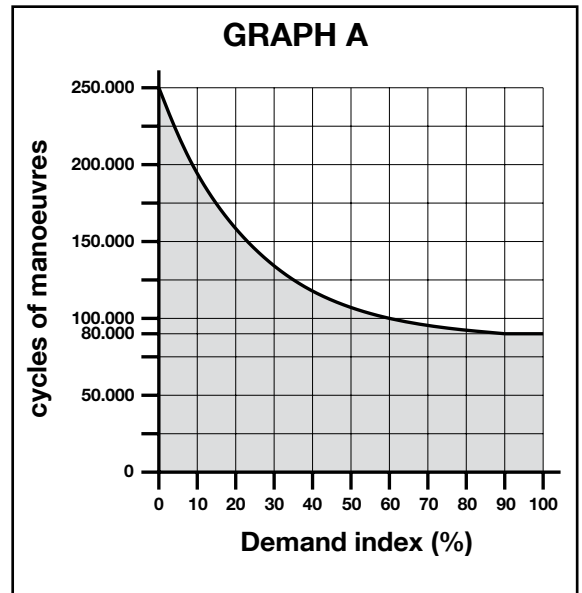
To establish the probable durability of your automatism proceed as follows:

01. Calculate the demand index summing the values in percentage of the entries present in **Table 2** to each other;

02. In **Graph A**, from the value just found, trace a vertical line until you intersect the curve; from this point trace a horizontal line to cross the line of "cycles of manoeuvres". The value established is the estimated durability of your product.

The estimate of durability is performed on the basis of the design calculations and the results of tests carried out on prototypes. In fact, being an estimate, it does not give any guarantee on the actual duration of the product.

TABLE 2				
		Demand index		
		Toona 4	Toona 5	Toona 6-7
Leaf weight:	> 200 kg	10 %	0 %	0 %
	> 300 kg	20 %	10 %	0 %
	> 400 kg	30 %	20 %	10 %
	> 500 kg	-	30 %	20 %
Leaf length:	2 - 3 m	20 %	0 %	0 %
	3 - 4 m	-	10 %	0 %
	4 - 5 m	-	20 %	10 %
	5 - 6 m	-	-	20 %
	6 - 7 m	-	-	30 %
Ambient temperature greater than 40°C or lower than 0°C or humidity greater than 80%		20 %	20 %	20 %
Blind leaf:		15 %	15 %	15 %
Installation in windy area:		15 %	15 %	15 %



Example of calculation of durability of a Toona series 5 gear motor (refer to Table 2 and Graph A):

- leaf weight = 350 kg (demand index= 10%)

- leaf length = 3.5 m (demand index = 10%)

- no other stress elements present

Total demand index = 20%

Durability estimate = 160,000 cycles of manoeuvre

CE declaration of conformity

and declaration of incorporation of partly-completed machinery

Declaration in accordance with the following Directives: 2004/108/EC (EMC); 2006/42/EC (MD) annex II, part B

Note - The content of this declaration corresponds to that specified in the official document deposited at the Nice S.p.A. headquarters and, in particular, to the latest revised edition available prior to the publishing of this manual. The text herein has been re-edited for editorial purposes. A copy of the original declaration can be requested from Nice S.p.A. (TV) I.

Declaration number: **288/TO**

Revision: **5**

Language: **EN**

Manufacturer's Name: Nice s.p.a.

Address: Via Pezza Alta 13, 31046 Rustignè di Oderzo (TV) Italy

Person authorized to compile the technical documentation: Nice s.p.a.

Type of product: Electromechanical gear motor in the "TOONA" series

Model: TO4005, TO4006, TO4015, TO4024, TO4605, TO5015, TO5016, TO5024, TO5605, TO5624, TO7024, TO5024HS, TO6024HS

Accessories: No accessory.

The undersigned Mauro Sordini as Chief Executive Officer, hereby declares under his own responsibility that the product identified above complies with the provisions of the following directives:

- DIRECTIVE 2004/108/EC OF THE EUROPEAN PARLIAMENT AND COUNCIL of 15 December 2004 on the approximation of the laws of Member States relating to electromagnetic compatibility and repealing Directive 89/336/EEC, in accordance with the following harmonised standards: EN 61000-6-2:2005; EN 61000-6-3:2007 + A1:2011.

In addition, the product conforms to the following directive in accordance with the provisions applicable to partly-completed machinery:

- Directive 2006/42/EC OF THE EUROPEAN PARLIAMENT AND COUNCIL of 17 May 2006 regarding machines and amending directive 95/16/EC (consolidated text)
- It is hereby declared that the pertinent technical documentation has been drafted in accordance with Annex VII B of Directive 2006/42/EC and that the following essential requirements have been met: 1.1.1 - 1.1.2 - 1.1.3 - 1.2.1 - 1.2.6 - 1.5.1 - 1.5.2 - 1.5.5 - 1.5.6 - 1.5.7 - 1.5.8 - 1.5.10 - 1.5.11.
- The manufacturer agrees to send the national authorities any pertinent information on partly-completed machinery, in response to a motivated request, without affecting its intellectual property rights.
- If the partly-completed machinery is operated in a European country with an official language other than the language used in this declaration, the importer must include a translation with this declaration.
- The partly-completed machinery must not be operated until the final machine in which it is to be incorporated is declared to conform to the provisions of Directive 2006/42/EC, if applicable.

The product also complies with the following standards:

EN 60335-1:2012; EN 60335-2-103:2003 + A11:2009.

The parts of the product which are subject to the following standards comply with them:

EN 13241-1:2003 + A1:2011; EN 12445:2002; EN 12453:2002; EN 12978:2003 + A1:2009.

Oderzo, 30 October 2014

Mr. Mauro Sordini
(Chief Executive Officer)



Il presente prodotto è destinato ad essere utilizzato per automatizzare cancelli o portoni ad ante battenti, sia per uso residenziale sia industriale. **ATTENZIONE! – Qualsiasi altro uso diverso da quello descritto e in condizioni ambientali diverse da quelle riportate in questo manuale è da considerarsi improprio e vietato!**

Il prodotto è un motoriduttore elettromeccanico, provvisto di un motore in corrente continua a 24 V o in corrente alternata a 230 V (secondo il modello scelto) e di un riduttore con vite senza fine.

Il motoriduttore viene alimentato dalla Centrale di comando esterna a cui deve essere collegato.

In caso d'interruzione dell'energia elettrica (black-out), è possibile muovere 'a mano' le ante del cancello sbloccando manualmente il motoriduttore.

La **fig. 1** mostra tutti i componenti presenti nella confezione (secondo il modello scelto):

- [a] - motoriduttore elettromeccanico
- [b] - staffa anteriore (per fissaggio del motoriduttore all'anta del cancello)
- [c] - staffa posteriore e piastra (per fissaggio del motoriduttore al muro)
- [d] - minuteria metallica (viti, rondelle, ecc.)
- [e] - chiavi per lo sblocco manuale del motoriduttore

Avvertenze per la sicurezza

- **ATTENZIONE! – Il presente manuale contiene importanti istruzioni e avvertenze per la sicurezza delle persone.** Un'installazione errata può causare gravi ferite. Prima di iniziare il lavoro è necessario leggere attentamente tutte le parti del manuale. In caso di dubbi, sospendere l'installazione e richiedere chiarimenti al Servizio Assistenza Nice.
- **ATTENZIONE! – Secondo la più recente legislazione europea, la realizzazione di una porta o di un cancello automatico deve rispettare le norme previste dalla Direttiva 98/37/CE (Direttiva Macchine) e in particolare, le norme EN 12445; EN 12453; EN 12635 e EN 13241-1, che consentono di dichiarare la presunta conformità dell'automazione. In considerazione di ciò, tutte le operazioni di installazione, di collegamento, di collaudo e di manutenzione del prodotto devono essere effettuate esclusivamente da un tecnico qualificato e competente!**
- **ATTENZIONE! – Istruzioni importanti: conservare questo manuale per eventuali interventi futuri di manutenzione e di smaltimento del prodotto.**

Avvertenze per l'installazione

- Prima di iniziare l'installazione verificare se il presente prodotto è adatto ad automatizzare il vostro cancello o portone (vedere capitolo 3 e le "Caratteristiche tecniche del prodotto"). Se non è adatto, NON procedere all'installazione.
- Prevedere nella rete di alimentazione dell'impianto un dispositivo di disconnessione con una distanza di apertura dei contatti che consenta la disconnessione completa nelle condizioni dettate dalla categoria di sovratensione III.
- **Tutte le operazioni di installazione e di manutenzione devono avvenire con l'automazione scollegata dall'alimentazione elettrica.** Se il dispositivo di sconnessione dell'alimentazione non è visibile dal luogo dove è posizionato l'automatismo, prima di iniziare il lavoro è necessario attaccare sul dispositivo di sconnessione un cartello con la scritta "ATTENZIONE! MANUTENZIONE IN CORSO".
- Durante l'installazione maneggiare con cura l'automatismo evitando schiacciamenti, urti, cadute o contatto con liquidi di qualsiasi natura. Non mettere il prodotto vicino a fonti di calore, né esporlo a fiamme libere. Tutte queste azioni possono danneggiarlo ed essere causa di malfunzionamenti o situazioni di pericolo. Se questo accade, sospendere immediatamente l'installazione e rivolgersi al Servizio Assistenza Nice.
- Non eseguire modifiche su nessuna parte del prodotto. Operazioni non permesse possono causare solo malfunzionamenti. Il costruttore declina ogni responsabilità per danni derivanti da modifiche arbitrarie al prodotto.
- Se il cancello o il portone da automatizzare è dotato di una porta pedonale occorre predisporre l'impianto con un sistema di controllo che inibisca il funzionamento del motore quando la porta pedonale è aperta.
- Verificare che non vi siano punti d'intrappolamento verso parti fisse quando l'anta del cancello si trova nella posizione di massima Apertura; eventualmente proteggere tali parti.
- La pulsantiera di comando a parete deve essere posizionata in vista dell'automazione, lontano dalle sue parti in movimento, ad un'altezza minima di 1,5 m da terra e non accessibile al pubblico.
- Il materiale dell'imballo del prodotto deve essere smaltito nel pieno rispetto della normativa locale.

3.1 - Verifiche preliminari all'installazione

Prima di procedere all'installazione, è necessario verificare l'integrità dei componenti del prodotto, l'adeguatezza del modello scelto e l'idoneità dell'ambiente destinato all'installazione.

IMPORTANTE – Il motoriduttore non può automatizzare un cancello manuale che non abbia una struttura meccanica efficiente e sicura. Inoltre, non può risolvere i difetti causati da una sbagliata installazione o da una cattiva manutenzione del cancello stesso.

3.2 - Idoneità del cancello da automatizzare e dell'ambiente circostante

- Verificare che la struttura meccanica del cancello sia adatta ad essere automatizzata e conforme alle norme vigenti sul territorio (eventualmente fare riferimento ai dati riportati sull'etichetta del cancello).
- Muovendo manualmente l'anta del cancello in Apertura e in Chiusura, verificare che il movimento avvenga con attrito uguale e costante in ogni punto della corsa (non devono esserci momenti di maggiore sforzo).
- Verificare che l'anta del cancello resti in equilibrio, cioè che non si muova se portata manualmente in una qualsiasi posizione e lasciata ferma.
- Verificare che lo spazio intorno al motoriduttore consenta di sbloccare manualmente le ante del cancello, in modo facile e sicuro.
- Verificare che le superfici scelte per l'installazione del prodotto siano solide e possano garantire un fissaggio stabile.
- Verificare che la zona di fissaggio del motoriduttore sia compatibile con l'ingombro di quest'ultimo, vedere **fig. 2**: il corretto movimento di Apertura del cancello e la forza che il motore esercita per eseguirlo, dipendono dalla posizione nel quale viene fissata la staffa di fissaggio posteriore. Quindi, prima di procedere all'installazione è necessario fare riferimento al **grafico 2** per definire l'angolo di Apertura massima dell'anta e la forza del motore, adatta al proprio impianto.

3.3 - Limiti d'impiego del prodotto

Prima di eseguire l'installazione del prodotto, verificare che l'anta del cancello abbia dimensioni e peso rientranti nei limiti riportati nel **grafico 1**.

3.4 - Lavori di predisposizione all'installazione

La **fig. 3** mostra un esempio di impianto di automatizzazione realizzato con componenti **Nice**. Questi componenti sono posizionati secondo uno schema tipico ed usuale.

Facendo riferimento alla **fig. 3**, stabilire la posizione approssimativa in cui verrà installato ciascun componente previsto nell'impianto e, lo schema di collegamento più appropriato.

Componenti utili per realizzare un impianto completo (fig. 3):

- 1 - Motoriduttori elettromeccanici
- 2 - Coppia di fotocellule
- 3 - Coppia di fermi di arresto (in Apertura)
- 4 - Colonne per fotocellule
- 5 - Segnalatore lampeggiante con antenna incorporata
- 6 - Selettore a chiave o tastiera digitale
- 7 - Elettroserratura verticale (solo per modelli reversibili)
- 8 - Centrale di comando

3.5 - Installazione delle staffe di fissaggio e del motoriduttore

3.5.1 - Installazione della staffa di fissaggio posteriore

Calcolare la posizione della staffa posteriore utilizzando il **grafico 2**. Questo grafico serve per determinare le **quote A e B** e il **valore dell'angolo di apertura massima** dell'anta. **Importante** – I valori di **A e B** devono essere simili tra loro per consentire un movimento lineare dell'automazione.

01. Misurare sulla parete di fissaggio il valore della **quota C** (fig. 4);
02. Sul **grafico 2**, individuare la **quota C** trovata e, tracciare una **linea orizzontale**, che determina il valore della **quota B(*)**, come mostrato nell'esempio di **fig. 5**; il punto d'incrocio con la linea "r.i.l." (linea d'installazione consigliata) determina il valore dell'angolo di apertura massima. Da questo punto, tracciare una **linea verticale** come mostrato nell'esempio di **fig. 5** per determinare il valore della **quota A**.

Se l'angolo trovato non corrisponde alle proprie esigenze, occorre adeguare la quota A ed eventualmente la quota B, in modo che siano simili tra loro.

(*) Si consiglia di non utilizzare valori della quota B al di sotto della linea "t" (vedere Grafico 2).

03. La staffa, prima di essere fissata al muro deve essere saldata all'apposita piastra di fissaggio (**fig. 7**); se occorre la staffa può essere tagliata adeguando di conseguenza i valori delle quote A e B.

Nota – La staffa in dotazione per il motoriduttore Toona serie 4-5, misura 150 mm di lunghezza; nel caso di applicazioni particolari oppure nel caso di un cancello dotato di apertura verso l'esterno (**fig. 6**) è possibile utilizzare la staffa mod. PLA6 (accessorio).

ATTENZIONE! – Prima di fissare la staffa posteriore, verificare che la zona di fissaggio della staffa anteriore capiti in una zona solida dell'anta, in quanto questa staffa dovrà essere fissata ad una altezza diversa dalla staffa posteriore (**fig. 8**).

04. A questo punto, fissare la staffa utilizzando tasselli, viti e rondelle opportune (non in dotazione).

3.5.2 - Installazione della staffa di fissaggio anteriore

La staffa anteriore deve essere fissata all'anta del cancello rispettando i valori delle **quote D ed E** (**fig. 4**).

Nota – La staffa in dotazione per il motoriduttore Toona serie 4-5, deve essere saldata direttamente sull'anta del cancello. Se questo non è possibile, utilizzare la staffa mod. PLA8 (accessorio).

01. Determinare il valore della **quota E** utilizzando la **Tabella 1**;
02. Stabilire l'altezza in cui posizionare la staffa anteriore, facendo riferimento alla **fig. 8**;
03. Quindi, fissare la staffa alla parte solida dell'anta del cancello.

3.5.3 - Installazione del motoriduttore sulle staffe di fissaggio

• Installare il motoriduttore sulla staffa posteriore:

01. Fissare il motoriduttore alla staffa come mostrato in **fig. 9** utilizzando la vite, la rondella e il dado in dotazione;
02. Avvitare completamente il dado e poi svitarlo di circa 1/10 di giro per

permettere un minimo gioco tra le parti.

• Installare il motoriduttore sulla staffa anteriore:

01. Fissare il motoriduttore alla staffa come mostrato in **fig. 10** utilizzando la vite e la rondella in dotazione;
02. Avvitare la vite completamente;
03. Fissare permanentemente, vicino al motoriduttore, l'etichetta presente nella confezione, riguardante le operazioni di sblocco e blocco manuale del motoriduttore.

3.6 - Regolazione del finecorsa meccanico

Il finecorsa meccanico, permette di regolare la posizione di arresto dell'anta del cancello; in questo modo, non è necessario utilizzare i fermi d'arresto e si evita che l'anta alla fine della manovra sbatta su quest'ultimi.

• Toona serie 4-5 (24 V)

ATTENZIONE – Nel caso di applicazioni con un cancello dotato di apertura verso l'esterno (**fig. 6**) è necessario invertire i fili di alimentazione. Regolare il finecorsa in Apertura del motoriduttore nel modo seguente:

01. Sbloccare il motoriduttore come mostrato nella **fig. 16**;
02. Allentare la vite del fermo meccanico;
03. Portare manualmente l'anta del cancello nella posizione desiderata in Apertura;
04. Quindi, portare il fermo meccanico in battuta del perno e bloccare la vite (**fig. 11**);
05. Portare manualmente l'anta nella posizione di Chiusura e bloccare il motoriduttore.

Nota – I motoriduttori mod. TO4006 e mod. TO5016, sono forniti di finecorsa meccanico anche per la manovra di Chiusura. Se si possiede uno di questi modelli, per regolare il finecorsa meccanico è necessario ripetere la procedura sopra descritta, con una variazione al **punto 03**: in questo caso, occorre portare manualmente l'anta del cancello nella posizione desiderata in Chiusura.

• Toona serie 4-5 (230 V)

I motoriduttori Toona serie 4-5 predisposti per corrente alternata a 230 V, sono dotati di fermo meccanico con microinterruttore che, al contatto con il perno interrompe l'alimentazione elettrica. **ATTENZIONE** – Nel caso di applicazioni con un cancello dotato di apertura verso l'esterno (**fig. 6**) è necessario invertire i fili di alimentazione.

• Toona serie 6-7

Regolare il finecorsa in Apertura e in Chiusura del motoriduttore:

01. Sbloccare il motoriduttore come mostrato nella **fig. 16**;
02. Muovere manualmente l'anta fino a quando la vite del fermo meccanico risulta visibile e, allentare la vite stessa;
03. Portare manualmente l'anta nella posizione desiderata in Apertura;
04. Quindi, portare il fermo meccanico in battuta del perno e bloccare la vite (**fig. 12**);
05. A questo punto, ripetere questa procedura portando manualmente l'anta nella posizione di massima Chiusura, per regolare il finecorsa in Chiusura;
06. Infine, bloccare il motoriduttore.

TABELLA 1

	Toona 4					Toona 5					Toona 6-7
	TO4005	TO4006	TO4015	TO4605	TO4024	TO5015	TO5016	TO5605	TO5024 TO5024HS	TO5024I	
D (mm):	730	695	730	730	730	880	845	880	880	880	1070
A (mm)	E (mm)					E (mm)					E (mm)
100	630	595	630	630	630	780	745	780	780	780	
110	620	585	620	620	620	770	735	770	770	770	
120	610	575	610	610	610	760	725	760	760	760	
130	600	565	600	600	600	750	715	750	750	750	
140	590	555	590	590	590	740	705	740	740	740	
150	580	545	580	580	580	730	695	730	730	730	
160	570	535	570	570	570	720	685	720	720	720	
170	560	525	560	560	560	710	675	710	710	710	
180	550	515	550	550	550	700	665	700	700	700	890
190	540	505	540	540	540	690	655	690	690	690	880
200	530	495	530	530	530	680	645	680	680	680	870
210	520	485	530	530	530	670	635	670	670	670	860
220						660	625	660	660	660	850
230						650	615	650	650	650	840
240						640	605	640	640	640	830
250						630	595	630	630	630	820
260						620	585	620	620	620	810
270						610	575	610	610	610	800
280						600	565	600	600	600	790

4 COLLEGAMENTI ELETTRICI

ATTENZIONE!

- Un collegamento errato può provocare guasti o situazioni di pericolo; quindi, rispettare scrupolosamente i collegamenti indicati.
- Eseguire le operazioni di collegamento con l'alimentazione elettrica scollegata.

Per collegare il motoriduttore alla Centrale di comando, procedere nel modo seguente:

01. Togliere il coperchio al motoriduttore come mostrato in **fig. 13**;
02. Allentare il passacavo del motoriduttore e inserire nel suo foro i cavi di collegamento (**fig. 14**);
03. Collegare i vari fili e il cavo della presa a terra, esattamente come mostrato nello schema elettrico di **fig. 15**;
04. Rimettere il coperchio al motoriduttore.

Per eseguire le verifiche dei collegamenti, del senso di rotazione del motore, dello sfasamento del movimento delle ante e della regolazione del fincorsa, fare riferimento al manuale istruzioni della Centrale di comando.

IMPORTANTE – In presenza di un cancello configurato con apertura verso l'esterno è necessario invertire i fili di alimentazione rispetto all'installazione standard.

5 COLLAUDO DELL'AUTOMAZIONE

Questa è la fase più importante nella realizzazione dell'automazione al fine di garantire la massima sicurezza. Il collaudo può essere usato anche come verifica periodica dei dispositivi che compongono l'automatismo.

Il collaudo dell'intero impianto deve essere eseguito da personale esperto e qualificato che deve farsi carico delle prove richieste, in funzione del rischio presente e di verificare il rispetto di quanto previsto da leggi, normative e regolamenti, ed in particolare tutti i requisiti della norma EN12445 che stabilisce i metodi di prova per la verifica degli automatismi per cancelli.

Collaudo

Ogni singolo componente dell'automatismo, ad esempio bordi sensibili, fotocellule, arresto di emergenza, ecc. richiede una specifica fase di collaudo; per questi dispositivi si dovranno eseguire le procedure riportate nei rispettivi manuali istruzioni. Per il collaudo del motoriduttore eseguire le seguenti operazioni:

01. Verificare che sia stato rispettato rigorosamente tutto quanto previsto nel presente manuale ed in particolare nel capitolo 1;
02. Sbloccare il motoriduttore come mostrato nella **fig. 16**;
03. Verificare che sia possibile muovere manualmente l'anta in apertura e in chiusura con una forza non superiore a 390 N (circa 40 kg);
04. Bloccare il motoriduttore e collegare l'alimentazione elettrica;
05. Utilizzando i dispositivi di comando o arresto previsti (selettore a chiave, pulsanti di comando o trasmettitori radio), effettuare delle prove di apertura, chiusura ed arresto del cancello e verificare che il comportamento corrisponda a quanto previsto;
06. Verificare uno ad uno il corretto funzionamento di tutti i dispositivi di sicurezza presenti nell'impianto (fotocellule, bordi sensibili, arresto di emergenza, ecc.); e, verificare che il comportamento del cancello corrisponda a quanto previsto;
07. Comandare una manovra di chiusura e verificare la forza dell'impatto dell'anta contro la battuta del fincorsa meccanico. Se necessario, provare a scaricare la pressione, trovando una regolazione che dia risultati migliori;
08. Se le situazioni pericolose provocate dal movimento dell'anta sono state salvaguardate mediante la limitazione della forza d'impatto si deve eseguire la misura della forza secondo quanto previsto dalla norma EN 12445;

Nota – Il motoriduttore è sprovvisto di dispositivi di regolazione di coppia, quindi, tale regolazione è affidata alla Centrale di comando.

Messa in servizio

La messa in servizio può avvenire solo dopo aver eseguito con esito positivo tutte le fasi di collaudo del motoriduttore e degli altri dispositivi presenti. Per eseguire la messa in servizio fare riferimento al manuale istruzioni della Centrale di comando.

IMPORTANTE – È vietata la messa in servizio parziale o in situazioni "provvisorie".

6 MANUTENZIONE DEL PRODOTTO

Per mantenere costante il livello di sicurezza e per garantire la massima durata dell'intera automazione è necessaria una manutenzione regolare.

La manutenzione deve essere effettuata nel pieno rispetto delle prescrizioni sulla sicurezza del presente manuale e secondo quanto previsto dalle leggi e normative vigenti. Per il motoriduttore è necessaria una manutenzione programmata al massimo entro 6 mesi.

Operazioni di manutenzione:

01. Scollegare qualsiasi sorgente di alimentazione elettrica.
02. Verificare lo stato di deterioramento di tutti i materiali che compongono l'automazione con particolare attenzione a fenomeni di erosione o di ossidazione delle parti strutturali; sostituire le parti che non forniscono sufficienti garanzie.
03. Verificare che i collegamenti a vite siano stretti adeguatamente.
04. Verificare che la chiocciola e la vite senza fine siano ingrassate adeguatamente.
05. Verificare lo stato di usura delle parti in movimento ed eventualmente sostituire le parti usurate.
06. Ricollegare le sorgenti di alimentazione elettrica ed eseguire tutte le prove e le verifiche previste nel capitolo 5.

Per gli altri dispositivi presenti nell'impianto fare riferimento ai propri manuali d'istruzioni.

SMALTIMENTO DEL PRODOTTO

Questo prodotto è parte integrante dell'automazione, e dunque, deve essere smaltito insieme con essa.

Come per le operazioni d'installazione, anche al termine della vita di questo prodotto, le operazioni di smantellamento devono essere eseguite da personale qualificato.

Questo prodotto è costituito da vari tipi di materiali: alcuni possono essere riciclati, altri devono essere smaltiti. Informatevi sui sistemi di riciclaggio o smaltimento previsti dai regolamenti vigenti sul vostro territorio, per questa categoria di prodotto.

Attenzione! – alcune parti del prodotto possono contenere sostanze inquinanti o pericolose che, se disperse nell'ambiente, potrebbero provocare effetti dannosi sull'ambiente stesso e sulla salute umana.

Come indicato dal simbolo a lato, è vietato gettare questo prodotto nei rifiuti domestici. Eseguire quindi la "raccolta separata" per lo smaltimento, secondo i metodi previsti dai regolamenti vigenti sul vostro territorio, oppure riconsegnare il prodotto al venditore nel momento dell'acquisto di un nuovo prodotto equivalente.



Attenzione! – i regolamenti vigenti a livello locale possono prevedere pesanti sanzioni in caso di smaltimento abusivo di questo prodotto.

CARATTERISTICHE TECNICHE DEL PRODOTTO

AVVERTENZE: • Tutte le caratteristiche tecniche riportate, sono riferite ad una temperatura ambientale di 20°C (± 5°C). • Nice S.p.a. si riserva il diritto di appor-
tare modifiche al prodotto in qualsiasi momento lo riterrà necessario, mantenendone comunque la stessa funzionalità e destinazione d'uso.

Toona serie 4

	TO4005	TO4006	TO4015	TO4605	TO4024
Tipologia	motoriduttore elettromeccanico per cancelli o portoni ad ante battenti				
Alimentazione	230 Vac 50 Hz	230 Vac 50 Hz	230 Vac 50 Hz	230 Vac 50 Hz	24 Vdc
Assorbimento massimo	1,5 A	1,5 A	1,5 A	1,3 A	5 A
Assorbimento nominale	1 A	1 A	1 A	0,9 A	2 A
Potenza massima assorbita	340 W	340 W	340 W	300 W	120 W
Potenza nominale assorbita	180 W	180 W	180 W	160 W	48 W
Condensatore incorporato	7 µF	7 µF	7 µF	7 µF	-
Grado di protezione	IP 44	IP 44	IP 44	IP 44	IP 44
Corsa	385 mm	350 mm	385 mm	385 mm	385 mm
Velocità a vuoto	0,016 m/s	0,016 m/s	0,013 m/s	0,016 m/s	0,016 m/s
Velocità a carico	0,012 m/s	0,012 m/s	0,010 m/s	0,012 m/s	0,012 m/s
Forza massima	1800 N	1800 N	1800 N	1800 N	1800 N
Forza nominale	600 N	600 N	600 N	600 N	600 N
Temperatura di funzionamento	da -20 °C a +50 °C	da -20 °C a +50 °C	da -20 °C a +50 °C	da -20 °C a +50 °C	da -20 °C a +50 °C
Termoprotezione	140 °C	140 °C	140 °C	140 °C	-
Cicli/h alla forza nominale	58	58	54	50	95
Durabilità	stimata tra circa 80.000 e 250.000 cicli di manovre, secondo le condizioni riportate nella Tabella 2				
Classe di isolamento	F	F	F	F	F
Dimensioni (mm)	820 x 115 x 105 h	820 x 115 x 105 h	820 x 115 x 105 h	820 x 115 x 105 h	820 x 115 x 105 h
Peso	6 kg	6 kg	6 kg	6 kg	6 kg

Toona serie 5

	TO5015	TO5016	TO5605	TO5024	TO5024I	TO5024HS
Tipologia	motoriduttore elettromeccanico per cancelli o portoni ad ante battenti					
Alimentazione	230 Vac 50 Hz	230 Vac 50 Hz	230 Vac 50 Hz	24 Vdc	24 Vdc	24 Vdc
Assorbimento massimo	1,5 A	1,5 A	1,3 A	5 A	5 A	5 A
Assorbimento nominale	1 A	1 A	0,9 A	2,2 A	2,2 A	2,5 A
Potenza massima assorbita	340 W	340 W	300 W	120 W	120 W	120 W
Potenza nominale assorbita	180 W	180 W	160 W	48 W	60 W	60 W
Condensatore inco- porato	7 µF	7 µF	7 µF	-	-	-
Grado di protezione	IP 44	IP 44	IP 44	IP 44	IP 44	IP 44
Corsa	540 mm	505 mm	540 mm	540 mm	540 mm	505 mm
Velocità a vuoto	0,013 m/s	0,013 m/s	0,016 m/s	0,016 m/s	0,013 m/s	0,025 m/s
Velocità a carico	0,010 m/s	0,010 m/s	0,012 m/s	0,012 m/s	0,010 m/s	0,018 m/s
Forza massima	1800 N	1800 N	1800 N	1800 N	2200 N	1800 N
Forza nominale	600 N	600 N	600 N	600 N	800 N	600 N
Temperatura di funzio- namento	da -20 °C a +50 °C					
Termoprotezione	140 °C	140 °C	140 °C	-	-	-
Cicli/h alla forza nominale	54	54	50	95	75	75
Durabilità	stimata tra circa 80.000 e 250.000 cicli di manovre, secondo le condizioni riportate nella Tabella 2					
Classe di isolamento	F					
Dimensioni (mm)	965 x 115 x 105 h					
Peso	7 kg	7 kg	7 kg	7 kg	8 kg	7,5 kg

Toona serie 6-7

	TO6024HS	TO7024
Tipologia	motoriduttore elettromeccanico per cancelli o portoni ad ante battenti	
Alimentazione	24 Vdc	24 Vdc
Assorbimento massimo	5 A	5 A
Assorbimento nominale	2,5 A	2,5 A
Potenza massima assorbita	120 W	120 W
Potenza nominale assorbita	60 W	60 W
Grado di protezione	IP 44	IP 44
Corsa	584 mm	584 mm
Velocità a vuoto	0,016 m/s	0,013 m/s
Forza massima	2200 N	2700 N
Forza nominale	1200 N	1400 N
Temperatura di funzionamento	da -20 °C a +50 °C	da -20 °C a +50 °C
Cicli/h alla forza nominale	41	41
Durabilità	stimata tra circa 80.000 e 250.000 cicli di manovre secondo le condizioni riportate nella Tabella 2	
Classe di isolamento	F	F
Dimensioni (mm)	1200 x 128 x 150 h	1200 x 128 x 150 h
Peso	15 kg	15 kg

Durabilità del prodotto

La durabilità è la vita economica media del prodotto. Il valore della durabilità è fortemente influenzato dall'indice di gravosità delle manovre eseguite dall'automatismo: cioè la somma di tutti i fattori che contribuiscono all'usura del prodotto (vedere Tabella 2).

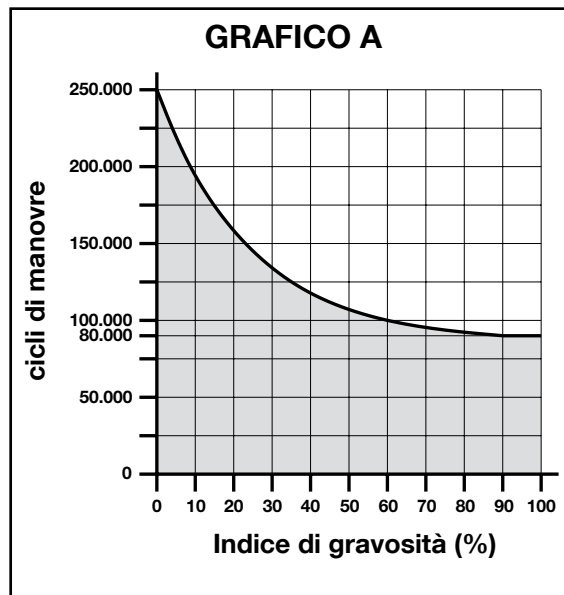
Per stabilire la durabilità probabile del vostro automatismo procedere nel modo seguente:

01. Calcolare l'indice di gravosità sommando tra loro i valori in percentuale delle voci presenti nella **Tabella 2**:

02. Nel **Grafico A** dal valore appena trovato, tracciare una linea verticale fino ad incrociare la curva; da questo punto tracciare una linea orizzontale fino ad incrociare la linea dei "cicli di manovre". Il valore determinato è la durabilità stimata del vostro prodotto.

La stima di durabilità viene effettuata sulla base dei calcoli progettuali e dei risultati di prove effettuate su prototipi. Infatti, essendo una stima, non rappresenta alcuna garanzia sull'effettiva durata del prodotto.

TABELLA 2				
		Indice di gravosità		
		Toona 4	Toona 5	Toona 6-7
Peso dell'anta:	> 200 kg	10 %	0 %	0 %
	> 300 kg	20 %	10 %	0 %
	> 400 kg	30 %	20 %	10 %
	> 500 kg	-	30 %	20 %
Lunghezza dell'anta:	2 - 3 m	20 %	0 %	0 %
	3 - 4 m	-	10 %	0 %
	4 - 5 m	-	20 %	10 %
	5 - 6 m	-	-	20 %
	6 - 7 m	-	-	30 %
Temperatura ambientale superiore a 40°C o inferiore a 0°C o umidità superiore all'80%		20 %	20 %	20 %
Anta cieca:		15 %	15 %	15 %
Installazione in zona ventosa:		15 %	15 %	15 %



Esempio del calcolo di durabilità di un motoriduttore Toona serie 5 (fare riferimento alla Tabella 2 e al Grafico A):

- peso dell'anta = 350 kg (indice di gravosità = 10%)
- lunghezza dell'anta = 3,5 m (indice di gravosità = 10%)
- non presenti altri elementi di affaticamento

Indice di gravosità totale = 20%

Durabilità stimata = 160.000 cicli di manovra

Dichiarazione CE di conformità

e dichiarazione di incorporazione di "quasi macchina"

Dichiarazione in accordo alle Direttive: 2004/108/CE (EMC); 2006/42/CE (MD) allegato II, parte B

Nota - Il contenuto di questa dichiarazione corrisponde a quanto dichiarato nel documento ufficiale depositato presso la sede di Nice S.p.a., e in particolare, alla sua ultima revisione disponibile prima della stampa di questo manuale. Il testo qui presente è stato riadattato per motivi editoriali. Copia della dichiarazione originale può essere richiesta a Nice S.p.a. (TV) I.

Numero dichiarazione: **288/TO**

Revisione: **5**

Lingua: **IT**

Nome produttore: Nice s.p.a.

Indirizzo: Via Pezza Alta N°13, 31046 Rustignè di Oderzo (TV) Italy

Persona autorizzata a costituire la documentazione tecnica: Nice s.p.a.

Tipo di prodotto: Motoriduttore elettromeccanico serie "TOONA"

Modello: TO4005, TO4006, TO4015, TO4024, TO4605, TO5015, TO5016, TO5024, TO5605, TO5624, TO7024, TO5024HS, TO6024HS

Accessori: Nessun accessorio.

Il sottoscritto Mauro Sordini in qualità di Amministratore Delegato, dichiara sotto la propria responsabilità che il prodotto sopra indicato risulta conforme alle disposizioni imposte dalle seguenti direttive:

- DIRETTIVA 2004/108/CE DEL PARLAMENTO EUROPEO E DEL CONSIGLIO del 15 dicembre 2004 concernente il ravvicinamento delle legislazioni degli Stati membri relative alla compatibilità elettromagnetica e che abroga la direttiva 89/336/CEE, secondo le seguenti norme armonizzate: EN 61000-6-2:2005; EN 61000-6-3:2007 + A1:2011.

Inoltre il prodotto risulta essere conforme alla seguente direttiva secondo i requisiti previsti per le "quasi macchine":

- Direttiva 2006/42/CE DEL PARLAMENTO EUROPEO E DEL CONSIGLIO del 17 maggio 2006 relativa alle macchine e che modifica la direttiva 95/16/CE (rifusione)
 - Si dichiara che la documentazione tecnica pertinente è stata compilata in conformità all'allegato VII B della direttiva 2006/42/CE e che sono stati rispettati i seguenti requisiti essenziali: 1.1.1 - 1.1.2 - 1.1.3 - 1.2.1 - 1.2.6 - 1.5.1 - 1.5.2 - 1.5.5 - 1.5.6 - 1.5.7 - 1.5.8 - 1.5.10 - 1.5.11.
 - Il produttore si impegna a trasmettere alle autorità nazionali, in risposta ad una motivata richiesta, le informazioni pertinenti sulla "quasi macchina", mantenendo impregiudicati i propri diritti di proprietà intellettuale.
 - Qualora la "quasi macchina" sia messa in servizio in un paese europeo con lingua ufficiale diversa da quella usata nella presente dichiarazione, l'importatore ha l'obbligo di associare alla presente dichiarazione la relativa traduzione.
 - Si avverte che la "quasi macchina" non dovrà essere messa in servizio finché la macchina finale in cui sarà incorporata non sarà a sua volta dichiarata conforme, se del caso, alle disposizioni della direttiva 2006/42/CE.

Inoltre il prodotto risulta conforme alle seguenti norme:
EN 60335-1:2012; EN 60335-2-103:2003 + A11:2009.

Il prodotto risulta conforme, limitatamente alle parti applicabili, alle seguenti norme:
EN 13241-1:2003 + A1:2011; EN 12445:2002; EN 12453:2002; EN 12978:2003 + A1:2009.

Oderzo, 30 ottobre 2014

Ing. Mauro Sordini
(Amministratore Delegato)



1 CONSIGNES ET PRÉCAUTIONS GÉNÉRALES DE SÉCURITÉ

Consignes de sécurité

- **ATTENTION!** – La présente notice contient des instructions et consignes importantes concernant la sécurité des personnes. Une installation erronée peut être à l'origine de graves blessures. Avant de commencer le travail, veuillez lire attentivement l'intégralité de cette notice. En cas de doutes, interrompez l'installation et demandez plus d'informations au Service d'Assistance Nice.
- **ATTENTION!** – Selon la toute dernière législation européenne, la réalisation d'une porte ou d'un portail automatique doit respecter les normes prévues par la Directive 98/37/C (Directive Machines) et en particulier les normes EN 12445, EN 12453, EN 12635 et EN 13241-1 qui permettent de déclarer la conformité présumée de l'automatisme. Ceci étant, toutes les opérations d'installation, raccordement, essai et entretien du produit doivent être confiées uniquement à un technicien qualifié et compétent!
- **ATTENTION!** - Instructions importantes: conservez cette notice en vue d'éventuelles interventions d'entretien futures et de l'élimination du produit.

Conseils pour l'installation

- Avant de procéder à l'installation, vérifiez si ce produit est apte à automatiser votre grille ou portail (voir chapitre 3 et les "Caractéristiques techniques du produit"). S'il n'est pas approprié, NE PAS procéder à l'installation.
- Prévoir dans le réseau d'alimentation de l'installation un dispositif de déconnexion avec une distance d'ouverture des contacts qui permette la déconnexion complète dans les conditions dictées par la catégorie de surtension III.
- **Toutes les opérations d'installation et d'entretien doivent être accomplies avec l'automatisme débranché de l'alimentation électrique.** Si le dispositif de déconnexion de l'alimentation n'est pas visible depuis le lieu où se trouve l'automatisme, avant de commencer à travailler veuillez accrocher sur le dispositif de déconnexion un panneau portant l'indication "ATTENTION! ENTRETIEN EN COURS".
- Pendant l'installation, manipulez avec précaution l'automatisme en évitant les écrasements, chocs, chutes ou contacts avec des liquides de quelque nature que ce soit. Ne pas mettre le produit à proximité de sources de chaleur ni l'exposer aux flammes nues. Toutes ces actions pourraient l'endommager et être à l'origine de dysfonctionnements ou de situations de danger. Si ceci se produit, interrompez immédiatement l'installation et contactez le Service d'Assistance Nice.
- N'effectuez aucune modification sur quelque partie du produit que ce soit. Les opérations non autorisées ne peuvent qu'être à l'origine de dysfonctionnements. Le constructeur décline toute responsabilité pour les dommages dérivant de modifications arbitraires apportées au produit.
- Si la grille ou le portail à automatiser est équipé d'une porte pour piétons, il est nécessaire d'équiper l'installation avec un système de contrôle qui désactive le fonctionnement du moteur lorsque la porte pour piétons est ouverte.
- Vérifiez qu'il n'y ait pas de points de piégeage vers les parties fixes lorsque la porte de la grille se trouve dans la position d'Ouverture maximum: le cas échéant, protégez ces parties.
- Le pupitre de commande mural doit être positionné à la vue de l'automatisme, loin de ses parties en mouvement, à une hauteur minimum de 1,5 m du sol et non accessible du public.
- Le matériau de l'emballage du produit doit être éliminé conformément aux normes locales en vigueur.

2 DESCRIPTION DU PRODUIT ET UTILISATION

Ce produit est à utiliser pour l'automatisme des grilles ou portails à vantaux battants de type résidentiel ou industriel. **ATTENTION!** - Toute autre utilisation que celle indiquée ou dans des conditions ambiantes différentes de celles signalées dans cette notice sera considérée comme inadéquate et de ce fait interdite!

Le produit est un motoréducteur électromécanique, équipé d'un moteur à courant continu à 24 V ou à courant alternatif à 230 V (en fonction du modèle choisi) et d'un réducteur muni de vis sans fin.

Le motoréducteur est alimenté par la Centrale de commande externe à laquelle il doit être relié.

En cas de coupure de l'alimentation électrique (black-out), il est possible de manœuvrer "à la main" les vantaux du portail en déverrouillant manuellement le motoréducteur.

La **fig. 1** montre toutes les composantes présentes dans l'emballage (en fonction du modèle choisi):

- [a] - motoréducteur électromécanique
- [b] - étrier avant (pour la fixation du motoréducteur sur le vantail du portail)
- [c] - étrier arrière et plaque (pour la fixation du motoréducteur au mur)
- [d] - menuiserie métallique (vis, rondelles, etc.)
- [e] - clés pour le déverrouillage manuel du motoréducteur

3 INSTALLATION

3.1 - Vérifications préliminaires avant l'installation

Avant de procéder à l'installation, veuillez vérifier l'intégrité des composantes du produit et contrôlez que le modèle choisi soit approprié et que le lieu d'installation soit adéquat.

IMPORTANT – Le motoréducteur ne peut automatiser un portail manuel qui ne possède pas une structure mécanique efficace et sûre. En outre, il ne saurait résoudre les défauts dus à une erreur d'installation ou à un mauvais entretien du portail même.

3.2 - Adéquation du portail à automatiser et du milieu ambiant

- Vérifier que la structure mécanique du portail soit apte à être automatisée et qu'elle est conforme aux normes en vigueur sur le territoire (le cas échéant, se référer aux données présentes sur l'étiquette du portail).
- En actionnant manuellement le vantail du portail en Ouverture et en Fermeture, vérifiez que le mouvement se fasse avec un frottement identique et constant en tout point de la course (il ne doit pas y avoir de moments avec un effort majeur).
- Vérifier que le vantail du portail reste en équilibre, c'est-à-dire qu'il ne bouge pas s'il est déplacé manuellement en une position quelconque et laissé à l'arrêt.
- Vérifier qu'il y ait suffisamment d'espace autour du motoréducteur pour pouvoir déverrouiller manuellement les vantaux du portail de façon simple et sûre.
- Vérifier que les surfaces choisies pour l'installation du produit soient solides et à même de garantir une fixation stable.
- Vérifier que la zone de fixation du motoréducteur soit compatible avec les dimensions de celui-ci (voir **fig. 2**): Le mouvement d'Ouverture correct du portail et la force que le moteur exerce pour l'accomplir dépendent de la position où est installé l'étrier de fixation arrière. Par conséquent, avant de procéder au montage, veuillez consulter le **graphique 2** afin de définir l'angle d'Ouverture maximum du vantail et la force de moteur appropriés pour l'installation en question.

3.3 - Limites d'utilisation du produit

Avant d'installer le produit, vérifiez que le vantail du portail présente des dimensions et un poids conformes aux limites indiquées au **graphique 1**.

3.4 - Travaux préparatifs pour l'installation

La **fig. 3** montre un exemple d'installation d'automatisme réalisée avec des composantes **Nice**. Ces composantes sont positionnées selon un schéma typique et habituel.

En se référant à la **fig. 3**, établir la position approximative où sera installée chaque composante de l'installation et le schéma de raccordement le mieux approprié.

Composantes nécessaires pour réaliser une installation complète (fig. 3):

- 1 - Motoréducteurs électromécaniques
- 2 - Paire de cellules photoélectriques
- 3 - Paire d'arrêts de blocage (en Ouverture)
- 4 - Colonnes pour les cellules photoélectriques
- 5 - Indicateur clignotant avec antenne incorporée
- 6 - Sélecteur à clé ou pavé numérique
- 7 - Serrure électrique verticale (uniquement pour les modèles réversibles)
- 8 - Centrale de commande

3.5 - Installation des étriers de fixation et du motoréducteur

3.5.1 - Installation de l'étrier de fixation arrière

Calculer la position de l'étrier arrière à l'aide du **graphique 2**.

Ce graphique permet de déterminer les hauteurs **A** et **B** et la valeur de l'angle d'ouverture maximum du vantail. **Important** – Les valeurs de **A** et **B** doivent être semblables afin d'assurer un mouvement linéaire de l'automatisme.

01. Mesurer sur la paroi de fixation, la valeur de la hauteur **C** (**fig. 4**);
02. Sur le **graphique 2**, relevez la hauteur **C** trouvée et tracez une ligne horizontale qui détermine la valeur de la hauteur **B**(*), comme le montre l'ex-

mple de la **fig. 5**; le point d'intersection avec la ligne "r.i.l." (ligne d'installation recommandée) détermine la valeur de l'angle d'ouverture maximum. À partir de ce point, tracer une ligne verticale comme cela est montré dans l'exemple de la **fig. 5** afin de déterminer la valeur de la **hauteur A**.

Si l'angle trouvé ne correspond pas à vos exigences, veuillez adapter la hauteur A et, le cas échéant, la hauteur B, de façon à ce qu'elles soient semblables entre elles.

(* Il est recommandé de ne pas utiliser de valeurs pour la hauteur B qui soit au-dessous de la ligne "t" (voir graphique 2).

- 03.** Avant d'être fixé au mur l'étrier doit être soudée à la plaque de fixation (voir **fig. 7**); si cela est nécessaire, l'étrier peut être coupé en adaptant en conséquence les valeurs des hauteurs A et B.

Remarque – L'étrier fourni avec le motoréducteur Toona série 4-5, mesure 150 mm de long; en cas d'applications particulières ou en présence d'un portail avec ouverture vers l'extérieur (**fig. 6**), il est possible d'utiliser l'étrier mod. PLA6 (accessoire).

ATTENTION! – Avant de fixer l'étrier arrière, vérifiez que la zone de fixation de l'étrier avant se trouve dans une zone solide du vantail car cet étrier devra être fixé à une hauteur différente de celle de l'étrier arrière (**fig. 8**).

- 04.** Fixez alors l'étrier à l'aide de chevilles, vis et rondelles ad hoc (non fournies).

3.5.2 – Installation de l'étrier de fixation avant

L'étrier avant doit être fixé au vantail du portail en respectant les valeurs des hauteurs D et E (**fig. 4**).

Remarque – L'étrier fourni avec le motoréducteur Toona 4-5 doit être soudé directement sur le vantail du portail. Si cela n'est pas possible, utilisez l'étrier mod. PLA8 (accessoire).

- 01.** Déterminez la valeur de la **hauteur E** à l'aide du **Tableau 1**;
02. Établir la hauteur où doit être placé l'étrier avant voir **fig. 8**;
03. Fixez ensuite l'étrier à la partie solide du vantail du portail.

3.5.3 – Installation du motoréducteur sur les étriers de fixation

• Installation du motoréducteur sur l'étrier arrière:

- 01.** Fixez le motoréducteur à l'étrier voir **fig. 9** en utilisant la vis, la rondelle et l'écrou fournis;
02. Vissez complètement l'écrou puis dévissez-le d'environ 1/10^e de tour afin d'assurer un minimum de jeu entre les parties.

• Installation du motoréducteur sur l'étrier avant:

- 01.** Fixez le motoréducteur à l'étrier voir **fig. 10** en utilisant la vis et la rondelle fournies;
02. Vissez complètement la vis.

03. Fixez de façon permanent à côté du motoréducteur l'étiquette présente dans l'emballage concernant les opérations de déverrouillage et de verrouillage manuel du motoréducteur.

3.6 - Réglage de la fin de course mécanique

La fin de course mécanique permet de régler la position d'arrêt du vantail du portail; de cette façon il n'est pas nécessaire d'utiliser les éléments d'arrêt et cela permet d'éviter que le vantail ne batte sur ceux-ci en fin de manœuvre.

• Toona série 4-5 (24 V)

ATTENTION – Dans le cas d'applications avec un portail avec ouverture vers l'extérieur (**fig. 6**), il est nécessaire d'inverser les fils d'alimentation. Régler la fin de course en Ouverture du motoréducteur de la façon suivante:

- 01.** Déverrouillez le motoréducteur voir **fig. 16**;
02. Desserrez la vis de l'arrêt mécanique;
03. Placez manuellement le vantail du portail dans la position désirée en Ouverture;
04. Placez ensuite l'arrêt mécanique en butée contre le pivot et bloquez les vis (**fig. 11**);
05. Placez manuellement le vantail du portail dans la position de Fermeture puis bloquez le motoréducteur.

Remarque – Les motoréducteurs mod. TO4006 et mod. TO5016, sont équipés de fin de course mécanique également pour la manœuvre de Fermeture. Si vous possédez l'un de ces modèles, pour régler la fin de course mécanique, veuillez répéter la procédure précédemment décrite, avec une variation au **point 03**: dans ce cas, placez manuellement le vantail du portail dans la position désirée en Fermeture.

• Toona série 4-5 (230 V)

Les motoréducteurs Toona série 4-5 fonctionnant sur courant alternatif à 230 V sont équipés d'un arrêt mécanique avec micro-interrupteur qui coupe l'alimentation électrique en cas de contact avec le pivot. **ATTENTION** – Dans le cas d'applications avec un portail avec ouverture vers l'extérieur (**fig. 6**), il est nécessaire d'inverser les fils d'alimentation.

• Toona série 6-7

Régler la fin de course en Ouverture et en Fermeture du motoréducteur:

- 01.** Déverrouillez le motoréducteur voir **fig. 16**;
02. Bougez manuellement le vantail jusqu'à ce que la vis de l'arrêt mécanique soit visible, puis desserrez la vis;
03. Placez manuellement le vantail dans la position désirée en Ouverture;
04. Placez ensuite l'arrêt mécanique en butée contre le pivot et bloquez les vis (**fig. 12**);

TABLEAU 1

	Toona 4					Toona 5					Toona 6-7
	TO4005	TO4006	TO4015	TO4605	TO4024	TO5015	TO5016	TO5605	TO5024 TO5024HS	TO5024I	
D (mm):	730	695	730	730	730	880	845	880	880	880	1070
A (mm)	E (mm)					E (mm)					E (mm)
100	630	595	630	630	630	780	745	780	780	780	
110	620	585	620	620	620	770	735	770	770	770	
120	610	575	610	610	610	760	725	760	760	760	
130	600	565	600	600	600	750	715	750	750	750	
140	590	555	590	590	590	740	705	740	740	740	
150	580	545	580	580	580	730	695	730	730	730	
160	570	535	570	570	570	720	685	720	720	720	
170	560	525	560	560	560	710	675	710	710	710	
180	550	515	550	550	550	700	665	700	700	700	890
190	540	505	540	540	540	690	655	690	690	690	880
200	530	495	530	530	530	680	645	680	680	680	870
210	520	485	530	530	530	670	635	670	670	670	860
220						660	625	660	660	660	850
230						650	615	650	650	650	840
240						640	605	640	640	640	830
250						630	595	630	630	630	820
260						620	585	620	620	620	810
270						610	575	610	610	610	800
280						600	565	600	600	600	790

05. Répétez alors cette procédure en plaçant manuellement le vantail dans la position de Fermeture maximum, pour régler la fin de course en Fermeture;
06. Enfin, bloquez le motoréducteur.

4 BRANCHEMENTS ÉLECTRIQUE

ATTENTION!

- Une erreur de branchement peut provoquer des pannes et des situations dangereuses: veillez donc à respecter scrupuleusement les branchements indiqués.
- Effectuez les opérations de branchement avec l'alimentation électrique hors tension.

Pour connecter le motoréducteur à la Centrale de commande, veuillez procéder de la façon suivante:

01. Enlevez le couvercle du motoréducteur (voir fig. 13);
02. Desserrez le passe-câble du motoréducteur et introduisez dans son trou les câbles de branchement (fig. 14);
03. Branchez les différents fils et le conducteur de la prise à la terre, exactement comme cela est indiqué sur le schéma électrique (fig. 15);
04. Remettez le couvercle du motoréducteur en place.

Pour effectuer les contrôles des branchements, du sens de rotation du moteur, du déphasage du mouvement des vantaux et du réglage de la fin de course, consultez pour cela la notice d'utilisation de la Centrale de commande.

IMPORTANT – En présence d'un portail avec ouverture vers l'extérieur, il est nécessaire d'inverser les fils d'alimentation par rapport à une installation standard.

5 ESSAI DE L'AUTOMATISATION

Il s'agit là de la phase la plus importante dans la réalisation de l'automatisation afin de garantir une sécurité maximale. L'essai peut être réalisé également comme vérification périodique des dispositifs composant l'automatisme.

L'essai de l'ensemble de l'installation doit être effectué par un personnel expert et qualifié qui devra prendre en charge les essais demandés, en fonction du risque présente et vérifier le respect de ce qui est prévu par les lois, normes et règlements et, en particulier, toutes les recommandations de la norme EN12445 qui définit les méthodes d'essai pour la vérification des automatismes de portails.

Essai

Chaque composante de l'automatisme, tels que bords sensibles, cellules photoélectriques, arrêt d'urgence, etc., nécessite une phase d'essai spécifique; pour ces dispositifs, il faudra exécuter les procédures indiquées dans les notices d'utilisation respectives. Pour l'essai du motoréducteur, effectuez les opérations suivantes:

01. Vérifiez que tout ce qui est prévu par la présente notice et en particulier le chapitre 1 a été rigoureusement respecté;
02. Déverrouillez le motoréducteur voir fig. 16;
03. Vérifiez qu'il soit possible de déplacer manuellement le vantail en ouverture et en fermeture en exerçant une force non supérieure à 390 N (environ 40kg);
04. Bloquez le motoréducteur et branchez l'alimentation électrique;
05. En utilisant les dispositifs de commande ou d'arrêt prévus (sélecteur à clé, boutons de commande ou émetteurs radio), effectuez des essais d'ouverture, fermeture et arrêt du portail et vérifiez que le comportement est bien conforme aux attentes prévues;
06. Vérifiez un après l'autre le bon fonctionnement de tous les dispositifs de sécurité présents dans l'installation (cellules photoélectriques, bords sensibles, arrêt d'urgence, etc.) et vérifiez que le comportement du portail soit conforme aux attentes prévues;
07. Commandez une manœuvre de fermeture et vérifiez la force de l'impact du vantail contre la butée de la fin de course mécanique. Si cela est nécessaire, essayez de décharger la pression en trouvant un réglage qui apporte de meilleurs résultats;
08. Si les situations de danger provoquées par le mouvement du vantail ont été évitées en limitant la force d'impact, il est nécessaire d'effectuer la mesure de la force conformément à ce qui est prévu par la norme EN 12445;

Remarque – Le motoréducteur n'est pas équipé de dispositifs de réglage de couple, par conséquent ce réglage est confié à la Centrale de commande.

Mise en service

La mise en service ne peut avoir lieu qu'après avoir exécuté avec succès toutes les phases d'essai du motoréducteur et des autres dispositifs présents. Pour

procéder à la mise en service, voir la notice d'instructions de la Centrale de commande.

IMPORTANT – Il est interdit de procéder à une mise en service partielle ou dans des situations "provisoires".

6 ENTRETIEN DU PRODUIT

Pour maintenir sans cesse le niveau de sécurité et garantir la durabilité maximale de tout l'automatisme, il est primordiale de procéder à un entretien régulier.

L'entretien doit être réalisé en respectant les recommandations de sécurité de cette notice et en se conformant à ce que prévoient les lois et normes en vigueur. Pour le motoréducteur, il est nécessaire de procéder à un entretien programmé au maximum tous les 6 mois.

Opérations d'entretien:

01. Débranchez toutes les sources d'alimentation électrique.
02. Vérifiez l'état de détérioration de tous les matériaux composant l'automatisme, en accordant une attention toute particulière aux phénomènes d'érosion ou d'oxydation des parties structurales; remplacez les parties qui ne fournissent pas les garanties suffisantes.
03. Vérifiez que les branchements à vis soient bien serrés.
04. Vérifiez que l'écrou et la vis-mère soient bien graissés.
05. Vérifiez l'état d'usure des parties en mouvement et, le cas échéant, remplacez les parties usées.
06. Rebranchez les sources d'alimentation électrique et exécutez tous les essais et les vérifications prévues au chapitre 5.

Pour les autres dispositifs présents dans l'installation, voir les notices correspondantes.

ÉLIMINATION DU PRODUIT

Le produit fait partie intégrante de l'automatisme et comme tel doit être éliminé avec celui-ci.

Comme pour les opérations d'installation, à la fin de la vie de ce produit, les opérations de démantèlement doivent elles aussi être accomplies par un personnel qualifié.

Ce produit est composé de différents types de matériaux: certains peuvent être recyclés alors que d'autres doivent être éliminés. Informez-vous à propos des systèmes de recyclage ou d'élimination prévus par les règlements en vigueur sur votre territoire pour cette catégorie de produit.

Attention! – certaines parties du produit peuvent présenter des substances polluantes ou dangereuses qui, si elles sont jetées dans la nature, pourraient avoir des effets nuisibles sur l'environnement et la santé humaine.

Comme cela est indiqué par le symbole ci-contre, il est interdit de jeter ce produit avec les déchets ménagers. Procédez donc à un "tri sélectif" en vue de son élimination en respectant les méthodes prévues par les règlements en vigueur sur votre territoire ou bien remettre le produit au vendeur lors de l'achat d'un nouveau produit équivalent.



Attention! – les règlements en vigueur au niveau local peuvent prévoir de lourdes sanctions en cas d'élimination abusive de ce produit.

CARACTÉRISTIQUES TECHNIQUES DU PRODUIT

AVERTISSEMENT: • Toutes les caractéristiques techniques indiquées se réfèrent à une température ambiante de 20°C (± 5°C). • Nice S.p.a. se réserve le droit d'apporter des modifications à ce produit à tout moment dès lors qu'elle le jugera nécessaire, à condition que sa fonctionnalité et sa finalité d'utilisation restent inchangées.

Toona série 4

	TO4005	TO4006	TO4015	TO4605	TO4024
Typologie	motoréducteur électromécanique pour grilles ou portails avec vantaux à battants				
Alimentation	230 Vca 50 Hz	230 Vca 50 Hz	230 Vca 50 Hz	230 Vca 50 Hz	24 Vcc
Absorption maximum	1,5 A	1,5 A	1,5 A	1,3 A	5 A
Absorption nominale	1 A	1 A	1 A	0,9 A	2 A
Puissance maximum absorbée	340 W	340 W	340 W	300 W	120 W
Puissance nominale absorbée	180 W	180 W	180 W	160 W	48 W
Condensateur incorporé	7 µF	7 µF	7 µF	7 µF	-
Indice de protection	IP 44	IP 44	IP 44	IP 44	IP 44
Course	385 mm	350 mm	385 mm	385 mm	385 mm
Vitesse à vide	0,016 m/s	0,016 m/s	0,013 m/s	0,016 m/s	0,016 m/s
Vitesse en charge	0,012 m/s	0,012 m/s	0,010 m/s	0,012 m/s	0,012 m/s
Force maximum	1800 N	1800 N	1800 N	1800 N	1800 N
Force nominale	600 N	600 N	600 N	600 N	600 N
Température de fonctionnement	de -20 °C à +50 °C	de -20 °C à +50 °C	de -20 °C à +50 °C	de -20 °C à +50 °C	de -20 °C à +50 °C
Thermoprotection	140 °C	140 °C	140 °C	140 °C	-
Cycles/h à la force nominale	58	58	54	50	95
Durabilité	estimée entre environ 80 000 et 250 000 cycles de manœuvres, en fonction des conditions indiquées au Tableau 2				
Classe d'isolation	F	F	F	F	F
Dimensions (mm)	820 x 115 x 105 h	820 x 115 x 105 h	820 x 115 x 105 h	820 x 115 x 105 h	820 x 115 x 105 h
Poids	6 kg	6 kg	6 kg	6 kg	6 kg

Toona série 5

	TO5015	TO5016	TO5605	TO5024	TO5024I	TO5024HS
Typologie	motoréducteur électromécanique pour grilles ou portails avec vantaux à battants					
Alimentation	230 Vac 50 Hz	230 Vac 50 Hz	230 Vac 50 Hz	24 Vdc	24 Vdc	24 Vdc
Absorption maximum	1,5 A	1,5 A	1,3 A	5 A	5 A	5 A
Absorption nominale	1 A	1 A	0,9 A	2,2 A	2,2 A	2,5 A
Puissance maximum absorbée	340 W	340 W	300 W	120 W	120 W	120 W
Puissance nominale absorbée	180 W	180 W	160 W	48 W	60 W	60 W
Condensateur incorporé	7 µF	7 µF	7 µF	-	-	-
Indice de protection	IP 44	IP 44	IP 44	IP 44	IP 44	IP 44
Course	540 mm	505 mm	540 mm	540 mm	540 mm	505 mm
Vitesse à vide	0,013 m/s	0,013 m/s	0,016 m/s	0,016 m/s	0,013 m/s	0,025 m/s
Vitesse en charge	0,010 m/s	0,010 m/s	0,012 m/s	0,012 m/s	0,010 m/s	0,018 m/s
Force maximum	1800 N	1800 N	1800 N	1800 N	2200 N	1800 N
Force nominale	600 N	600 N	600 N	600 N	800 N	600 N
Température de fonctionnement	de -20 °C à +50 °C					
Thermoprotection	140 °C	140 °C	140 °C	-	-	-
Cycles/h à la force nominale	54	54	50	95	75	75
Durabilité	estimée entre environ 80 000 et 250 000 cycles de manœuvres, en fonction des conditions indiquées au Tableau 2					
Classe d'isolation	F					
Dimensions (mm)	965 x 115 x 105 h					
Poids	7 kg	7 kg	7 kg	7 kg	8 kg	7,5 kg

Toona série 6-7

	TO6024HS	TO7024
Typologie	motoréducteur électromécanique pour grilles ou portails avec vantaux à battants	
Alimentation	24 Vcc	24 Vcc
Absorption maximum	5 A	5 A
Absorption nominale	2,5 A	2,5 A
Puissance maximum absorbée	120 W	120 W
Puissance nominale absorbée	60 W	60 W
Indice de protection	IP 44	IP 44
Course	584 mm	584 mm
Vitesse à vide	0,016 m/s	0,013 m/s
Force maximum	2200 N	2700 N
Force nominale	1200 N	1400 N
Température de fonctionnement	de -20 °C à +50 °C	de -20 °C à +50 °C
Cycles/h à la force nominale	41	41
Durabilité	estimée entre environ 80 000 et 250 000 cycles de manœuvres, en fonction des conditions indiquées au Tableau 2	
Classe d'isolation	F	F
Dimensions (mm)	1200 x 128 x 150 h	1200 x 128 x 150 h
Poids	15 kg	15 kg

Durabilité du produit

La durabilité est la vie économique moyenne du produit. La valeur de la durabilité est fortement influencée par l'indice d'usure des manœuvres effectuées par l'automatisme: à savoir la somme de tous les facteurs qui contribuent à l'usure du produit (voir Tableau 2).

Pour déterminer la durabilité probable de votre automatisme, procédez de la façon suivante:

01. Calculez l'indice d'usure en faisant la somme entre les valeurs en pourcentage des postes présents au **Tableau 2**.

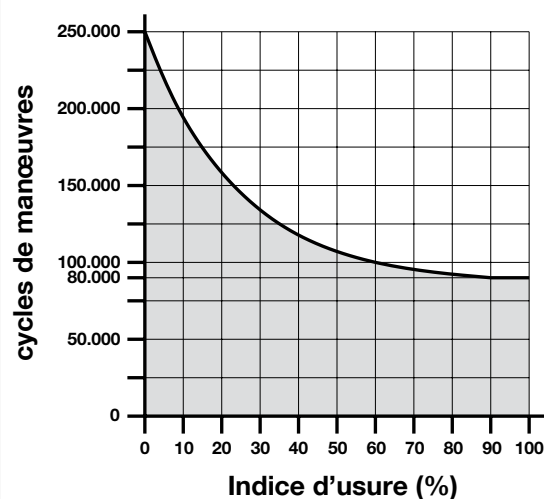
02. Dans le **Graphique A**, à partir de la valeur qui a été trouvée, tracez une ligne verticale jusqu'à ce qu'elle croise la courbe; à partir de ce point, tracez une ligne horizontale jusqu'à ce qu'elle croise la ligne de "cycles de manœuvres". La valeur déterminée est la durabilité estimée de votre produit.

L'estimation de durabilité est effectuée sur la base des calculs de projet et des résultats des essais effectués sur les prototypes. En effet, s'agissant d'une estimation, celle-ci ne saurait représenter une quelconque garantie quant à la durée effective du produit.

TABLEAU 2

		Indice d'usure		
		Toona 4	Toona 5	Toona 6-7
Poids du vantail:	> 200 kg	10 %	0 %	0 %
	> 300 kg	20 %	10 %	0 %
	> 400 kg	30 %	20 %	10 %
	> 500 kg	-	30 %	20 %
Longueur du vantail:	2 - 3 m	20 %	0 %	0 %
	3 - 4 m	-	10 %	0 %
	4 - 5 m	-	20 %	10 %
	5 - 6 m	-	-	20 %
	6 - 7 m	-	-	30 %
Température ambiante supérieure à 40 °C ou inférieure à 0 °C ou humidité supérieure à 80 %		20 %	20 %	20 %
Vantail borgne:		15 %	15 %	15 %
Installation dans zone ventouse:		15 %	15 %	15 %

GRAPHIQUE A



Exemple du calcul de durabilité d'un motoréducteur Toona série 5 (voir Tableau 2 et Graphique A):

- poids du vantail = 350 kg (indice d'usure = 10%)
- longueur du vantail = 3,5 m (indice d'usure = 10%)
- aucune autre élément de fatigue présent

Indice d'usure total = 20%

Durabilité estimée = 160 000 cycles de manœuvre

Déclaration CE de conformité

et déclaration d'incorporation de « quasi-machine »

Déclaration conforme aux Directives : 2004/108/CE (CEM) ; 2006/42/CE (MD) Annexe II, partie B

Note - Le contenu de cette déclaration de conformité correspond à ce qui est déclaré dans le document officiel, déposé au siège de Nice S.p.a., et en particulier à sa dernière révision disponible avant l'impression de ce guide. Le présent texte a été réadapté pour des raisons d'édition. Une copie de la déclaration originale peut être demandée à Nice S.p.a. (TV) I.

Numéro de déclaration : **288/TO** Révision : **5** Langue : **FR**

Nom du fabricant : Nice s.p.a.

Adresse : Via Pezza Alta n°13, 31046 Rustignè di Oderzo (TV) Italie

Personne autorisée à constituer la documentation technique : Nice s.p.a.

Type de produit : Motoréducteur électromécanique série « TOONA »

Modèle : TO4005, TO4006, TO4015, TO4024, TO4605, TO5015, TO5016, TO5024, TO5605, TO5624, TO7024, TO5024HS, TO6024HS

Accessoires : Aucun accessoire.

Le soussigné Mauro Sordini en sa qualité de Chief Executive Officer, déclare sous son entière responsabilité que le produit indiqué ci-dessus est conforme aux dispositions prescrites par les directives suivantes :

- DIRECTIVE 2004/108/CE du PARLEMENT EUROPÉEN ET DU CONSEIL du 15 décembre 2004 relative au rapprochement des législations des États membres concernant la compatibilité électromagnétique et abrogeant la Directive 89/336/CEE, selon les normes harmonisées suivantes : EN 61000-6-2:2005 ; EN 61000-6-3:2007 + A1:2011.

En outre, le produit s'avère conforme à la Directive ci-après selon les conditions essentielles requises pour les « quasi-machines » :

- Directive 2006/42/CE du PARLEMENT EUROPÉEN ET DU CONSEIL du 17 mai 2006 relative aux machines et modifiant la Directive 95/16/CE (refonte)
 - Nous déclarons que la documentation technique pertinente a été remplie conformément à l'annexe VII B de la directive 2006/42/CE et que les conditions essentielles suivantes ont été respectées : 1.1.1 - 1.1.2 - 1.1.3 - 1.2.1 - 1.2.6 - 1.5.1 - 1.5.2 - 1.5.5 - 1.5.6 - 1.5.7 - 1.5.8 - 1.5.10 - 1.5.11.
 - Le producteur s'engage à transmettre aux autorités nationales, suite à une demande dûment motivée, les informations pertinentes sur la « quasi-machine », sans que cela porte préjudice à ses droits de propriété intellectuelle.
 - Si la « quasi-machine » est mise en service dans un pays européen dont la langue officielle diffère de celle utilisée dans la présente déclaration, l'importateur a l'obligation de joindre en annexe la traduction de la déclaration.
 - Il est précisé que la quasi-machine ne doit pas être mise en service tant que la machine finale dans laquelle elle doit être incorporée n'a pas été elle-même déclarée conforme aux dispositions pertinentes de la directive 2006/42/CE.

En outre, le produit s'avère conforme aux normes suivantes :
EN 60335-1:2012 ; EN 60335-2-103:2003 + A11:2009.

Le produit s'avère conforme, limitativement aux parties applicables, aux normes suivantes :
EN 13241-1:2003 + A1:2011 ; EN 12445:2002 ; EN 12453:2002 ; EN 12978:2003 + A1:2009.

Oderzo, 30 octobre 2014

Ing. Mauro Sordini
(Chief Executive Officer)



1 ADVERTENCIAS Y PRECAUCIONES GENERALES PARA LA SEGURIDAD

Advertencias para la seguridad

- **¡ATENCIÓN!** – Este manual contiene importantes instrucciones y advertencias para la seguridad de las personas. Una instalación equivocada puede causar graves heridas. Antes de comenzar el trabajo es necesario leer atentamente todas las partes del manual. En caso de duda, suspenda la instalación y solicite aclaraciones al Servicio de Asistencia Nice.
- **¡ATENCIÓN!** – Según la más reciente legislación europea, la realización de una puerta o de un portón automático debe respetar las normas previstas por la Directiva 98/37/CE (Directiva de maquinaria) y en especial, las normas EN 12445; EN 12453; EN 12635 y EN 13241-1, que permiten declarar la presunta conformidad del automatismo. **¡Teniendo en cuenta todo ello, todas las operaciones de instalación, conexión, ensayo y mantenimiento del producto deben ser realizadas exclusivamente por un técnico calificado y competente!**
- **¡ATENCIÓN!** – Instrucciones importantes: conserve este manual para poder consultarlo en el futuro en caso de mantenimiento y de eliminación del producto.

Advertencias para la instalación

- Antes de comenzar la instalación compruebe si este producto es adecuado para automatizar su puerta o portón (véase el capítulo 3 y las "Características técnicas del producto"). Si no es adecuado, NO efectúe la instalación.
- Prevea en la red de alimentación de la instalación un dispositivo de desconexión con una distancia de apertura de los contactos que permita la desconexión completa en las condiciones dictadas por la categoría de sobretensión III.
- **Todas las operaciones de instalación y de mantenimiento deben realizarse con el automatismo desconectado de la alimentación eléctrica.** Si el dispositivo de desconexión de la alimentación no se puede ver desde el lugar donde se ha colocado el automatismo, es necesario colocar en el dispositivo de desconexión un cartel con el mensaje "¡ATENCIÓN! MANTENIMIENTO EN CURSO".
- Durante la instalación maneje con cuidado el automatismo evitando aplastamientos, golpes, caídas o contacto con líquidos de cualquier tipo. No sitúe el producto cerca de fuentes de calor, ni lo exponga a llamas libres. Todas estas acciones pueden dañarlo y ser causa de mal funcionamiento o situaciones de peligro. Si se produce esta circunstancia, suspenda inmediatamente la instalación y diríjase al servicio de asistencia Nice.
- No efectúe modificaciones en ninguna parte del producto. Cualquier operación no permitida puede solo causar un mal funcionamiento. El fabricante declina cualquier responsabilidad por daños derivados de modificaciones arbitrarias del producto.
- Si la puerta o el portón en el que se deben colocar al automatismo están dotados de una puerta peatonal es necesario preparar la instalación con un sistema de control que inhiba el funcionamiento del motor cuando la puerta peatonal está abierta.
- Compruebe que no hay puntos de atrapamiento hacia partes fijas cuando la hoja de la puerta está en posición de máxima Apertura; si es necesario proteja estas partes.
- El tablero de pulsadores de mando de pared debe colocarse cerca del automatismo, lejos de sus partes en movimiento, a una altura mínima de 1,5 m desde el suelo y en un lugar no accesible al público.
- El material del embalaje del producto debe eliminarse respetando la normativa local.

2 DESCRIPCIÓN DEL PRODUCTO Y DESTINO DE USO

Este producto está destinado a ser utilizado para automatizar puertas o portones de hojas batientes, tanto para uso residencial como industrial. **¡ATENCIÓN!** – **¡Cualquier otro uso diferente del descrito y en condiciones ambientales diferentes de las indicadas en este manual debe considerarse impropio y prohibido!**

El producto es un motorreductor electromecánico, provisto de un motor de corriente continua de 24 V o de corriente alterna de 230 V (según el modelo elegido) y de un reductor con tornillo sin fin.

El motorreductor está alimentado por la central de mando exterior a la que debe conectarse.

En caso de interrupción de la energía eléctrica (corte), se puede mover "a mano" las hojas de la puerta desbloqueando manualmente el motorreductor.

La **Fig. 1** muestra todos los componentes presentes en el paquete (según el modelo elegido):

- [a] - motorreductor electromecánico
- [b] - brida anterior (para la fijación del motorreductor a la hoja de la puerta)
- [c] - brida posterior y placa (para la fijación del motorreductor a la pared)
- [d] - elementos metálicos (tornillos, arandelas, etc.)
- [e] - llaves para el desbloqueo manual del motorreductor

3 INSTALACIÓN

3.1 - Comprobaciones preliminares en la instalación

Antes de efectuar la instalación, es necesario comprobar la integridad de los componentes del producto, que el modelo elegido sea adecuado y que el ambiente destinado a la instalación sea idóneo.

IMPORTANTE – El motorreductor no puede usarse como automatismo de una puerta manual que no tenga una estructura mecánica eficiente y segura. Además, no puede resolver los defectos causados por una mala instalación o por un mal mantenimiento de la puerta.

3.2 - Idoneidad de la puerta en la que se tiene que instalar el automatismo y del ambiente que lo rodea

- Compruebe que la estructura mecánica de la puerta sea adecuada para instalar un automatismo y conforme con las normas vigentes en el territorio (eventualmente consulte los datos incluidos en la etiqueta de la puerta).
- Moviendo manualmente la hoja de la puerta en Apertura y en Cierre, compruebe que el movimiento se produzca con un roce igual y constante en cualquier punto del recorrido (no deben existir momentos de mayor esfuerzo).
- Compruebe que la hoja de la puerta quede en equilibrio, esto es, que no se mueva si se pone manualmente en cualquier posición y se deja quieta.
- Compruebe que el espacio alrededor del motorreductor permita desbloquear manualmente las hojas de la puerta, de una manera fácil y segura.
- Compruebe que las superficies elegidas para la instalación del producto sean sólidas y puedan garantizar una fijación estable.
- Compruebe que la zona de fijación del motorreductor sea compatible con las dimensiones de éste último, véase **Fig. 2**: el correcto movimiento de Apertura de la puerta y la fuerza que el motor ejerce para efectuarlo depende de la posición en la cual se coloca la brida de fijación posterior. Entonces, antes de efectuar la instalación es necesario consultar el **gráfico 2** para definir el ángulo de Apertura máxima de la hoja y la fuerza del motor adecuada para la instalación.

3.3 - Límites de empleo del producto

Antes de efectuar la instalación del producto, compruebe que la hoja de la puerta tenga unas dimensiones y un peso que respeten los límites indicados en el **gráfico 1**.

3.4 - Trabajos de preparación para la instalación

La **Fig. 3** muestra un ejemplo de instalación del automatismo realizado con componentes **Nice**. Estos componentes están colocados según un esquema típico y usual.

Consultando la **Fig. 3**, establezca la posición aproximada en la que se instalará cada componente previsto en la instalación y, el esquema de conexión más adecuado.

Componentes útiles para realizar una instalación completa (Fig. 3):

- 1 - Motorreductores electromecánicos
- 2 - Par de fotocélulas
- 3 - Par de retenes de paro (en apertura)
- 4 - Columnas para fotocélulas
- 5 - Señalador parpadeante con antena incorporada
- 6 - Selector de llave o teclado digital
- 7 - Electrocierra vertical (solo para modelos reversibles)
- 8 - Central de mando

3.5 - Instalación de las bridas de fijación y del motorreductor

3.5.1 – Instalación de la brida de fijación posterior

Calcule la posición de la brida posterior utilizando el **gráfico 2**. Este gráfico sirve para determinar las alturas **A** y **B** y el valor del ángulo de apertura máxima de la hoja. **Importante** – Los valores de **A** y **B** deben ser parecidos entre ellos para permitir un movimiento lineal del automatismo.

- 01.** Mida en la pared de fijación el valor de la **altura C (Fig. 4)**;
- 02.** En el **gráfico 2**, busque la **altura C** encontrada y trace una **línea horizontal**, que determina el valor de la **altura B (*)**, como se muestra en el ejemplo de la **Fig. 5**; el punto de cruce con la línea "r.i.l." (línea de instalación aconsejada) determina el valor del ángulo de apertura máxima. Desde este punto, trace una **línea vertical** como se muestra en el ejemplo de la **Fig. 5** para determinar el valor de la **altura A**.

Si el ángulo no corresponde con las necesidades propias, es necesario adecuar la altura A y si es necesario la altura B, para que sean parecidas entre ellas.

(*) Se aconseja no utilizar valores de la altura B por debajo de la línea "t" (véase gráfico 2).

- 03.** La brida, antes de fijarse a la pared, debe soldarse en la relativa placa de fijación (**Fig. 7**); si es necesario puede cortarse la brida adecuando en consecuencia los valores de las alturas A y B.

Nota – La brida incluida para el motorreductor Toona serie 4-5, mide 150 mm de longitud; en caso de aplicaciones especiales o en caso de una puerta dotada de apertura hacia el exterior (**Fig. 6**) es posible utilizar la brida modelo PLA6 (accesorio).

¡ATENCIÓN! – Antes de fijar la brida posterior, compruebe que la zona de fijación de la brida anterior esté en una zona sólida de la hoja, ya que esta brida deberá fijarse a una altura diferente de la brida posterior (**Fig.8**).

- 04.** En este momento, fije la brida utilizando tacos, tornillos y arandelas adecuados (no incluidos).

3.5.2 – Instalación de la brida de fijación anterior

La brida anterior debe fijarse en la hoja de la puerta respetando los valores de las alturas **D** y **E (Fig. 4)**.

Nota – La brida incluida para el motorreductor Toona serie 4-5, debe ser soldada directamente en la hoja de la puerta. Si ello no es posible, utilice la brida mod. PLA8 (accesorio).

- 01.** Determine el valor de la **altura E** utilizando la **Tabla 1**;
- 02.** Establezca la altura en la que colocar la brida anterior, consultando la **Fig. 8**;
- 03.** Entonces, fije la brida a la parte sólida de la hoja de la puerta.

3.5.3 – Instalación del motorreductor en las bridas de fijación

• Instale el motorreductor en la brida posterior:

- 01.** Fije el motorreductor a la brida como se muestra en la **Fig. 9** utilizando el tornillo, la arandela y la tuerca incluidos;
- 02.** Enrosque completamente la tuerca y después desenróscuela aproximadamente 1/20 de giro para permitir un mínimo juego entre las partes.

• Instale el motorreductor en la brida anterior:

- 01.** Fije el motorreductor a la brida como se muestra en la **Fig. 10** utilizando el tornillo y la arandela incluidos;

- 02.** Enrosque completamente el tornillo;

- 03.** Fije permanentemente, cerca del motorreductor, la etiqueta presente en el paquete, relativa a las operaciones de desbloqueo y bloqueo manual de motorreductor.

3.6 - Regulación del tope de recorrido mecánico

El tope de recorrido mecánico permite regular la posición de paro de la hoja de la puerta; de esta manera, no es necesario utilizar los topes de paro y se evita que la hoja al final de la maniobra choque contra éstos.

• Toona serie 4-5 (24 V)

ATENCIÓN – En caso de aplicaciones con una puerta dotada de apertura hacia el exterior (**Fig. 6**) es necesario invertir los hilos de alimentación. Regule el **tope de recorrido en Apertura** del motorreductor de la siguiente manera:

- 01.** Desbloquee el motorreductor como se muestra en la **Fig. 16**;
- 02.** Afloje el tornillo del tope mecánico;
- 03.** Ponga manualmente la hoja de la puerta en la posición deseada en Apertura;
- 04.** Entonces, ponga el tope mecánico en tope del perno y bloquee el tornillo (**Fig. 11**);
- 05.** Ponga manualmente la hoja en la posición de Cierre y bloquee el motorreductor.

Nota – Los motorreductores mod. TO4006 y mod. TO5016, se suministran con tope de recorrido mecánico también para la maniobra de Cierre. Si posee uno de estos modelos, para regular el tope de recorrido mecánico es necesario repetir el procedimiento antes descrito, con una variación en el **punto 03**: en este caso, es necesario poner manualmente la hoja de la puerta en la posición deseada en Cierre.

• Toona serie 4-5 (230 V)

Los motorreductores Toona serie 4-5 preparados para la corriente alterna a 230 V, están dotados de tope mecánico con microinterruptor que, en contacto con el perno interrumpe la alimentación eléctrica. **ATENCIÓN** – En caso de aplicaciones con una puerta dotada de apertura hacia el exterior (**Fig. 6**) es necesario invertir los hilos de alimentación.

• Toona serie 6-7

Regule el **tope de recorrido en Apertura** y **en Cierre** del motorreductor:

- 01.** Desbloquee el motorreductor como se muestra en la **Fig. 16**;
- 02.** Mueva manualmente la hoja hasta que el tornillo del tope mecánico sea visible y, afloje el mismo tornillo;

TABLA 1

	Toona 4					Toona 5					Toona 6-7
	TO4005	TO4006	TO4015	TO4605	TO4024	TO5015	TO5016	TO5605	TO5024 TO5024HS	TO5024I	
D (mm):	730	695	730	730	730	880	845	880	880	880	1070
A (mm)	E (mm)					E (mm)					E (mm)
100	630	595	630	630	630	780	745	780	780	780	
110	620	585	620	620	620	770	735	770	770	770	
120	610	575	610	610	610	760	725	760	760	760	
130	600	565	600	600	600	750	715	750	750	750	
140	590	555	590	590	590	740	705	740	740	740	
150	580	545	580	580	580	730	695	730	730	730	
160	570	535	570	570	570	720	685	720	720	720	
170	560	525	560	560	560	710	675	710	710	710	
180	550	515	550	550	550	700	665	700	700	700	890
190	540	505	540	540	540	690	655	690	690	690	880
200	530	495	530	530	530	680	645	680	680	680	870
210	520	485	530	530	530	670	635	670	670	670	860
220						660	625	660	660	660	850
230						650	615	650	650	650	840
240						640	605	640	640	640	830
250						630	595	630	630	630	820
260						620	585	620	620	620	810
270						610	575	610	610	610	800
280						600	565	600	600	600	790

03. Ponga manualmente la hoja en la posición deseada en Apertura;
04. Entonces, ponga el tope mecánico en tope del perno y bloquee el tornillo (Fig. 12);
05. En este momento, repita este procedimiento poniendo manualmente la hoja en la posición máximo Cierre, para regular el tope de final de recorrido en Cierre;
06. Finalmente, bloquee el motorreductor.

4 CONEXIONES ELÉCTRICAS

¡ATENCIÓN!

- **Una conexión equivocada puede provocar averías o situaciones de peligro; por lo tanto, respete escrupulosamente las conexiones indicadas.**
- **Efectúe las operaciones de conexión con la alimentación eléctrica desconectada.**

Para conectar el motorreductor a la central de mando, siga los siguientes pasos:

01. Quite la tapa del motorreductor como se muestra en la Fig. 13;
02. Afloje el sujetacables del motorreductor e introduzca en su agujero los cables de conexión (Fig. 14);
03. Conecte los diferentes hilos y el cable de la toma a tierra, exactamente como se muestra en el esquema eléctrico de la Fig. 15;
04. Vuelva a poner la tapa en el motorreductor.

Para efectuar las comprobaciones de las conexiones, del sentido de rotación del motor, del desfase del movimiento de las hojas y de la regulación del tope de recorrido, consulte el manual de instrucciones de la central de mando.

IMPORTANTE – En presencia de una puerta configurada hacia fuera es necesario invertir los hilos de alimentación respecto a la instalación estándar.

5 ENSAYO DEL AUTOMATISMO

Esta es la fase más importante en la realización del automatismo para garantizar la máxima seguridad. El ensayo puede usarse también como comprobación periódica de los dispositivos que componen el automatismo.

El ensayo de toda la instalación debe ser realizado por personal experto y cualificado que debe hacerse cargo de las pruebas necesarias, en función del riesgo presente y de comprobar el respeto de cuanto previsto por las leyes, normativas y reglamentos, y en especial todos los requisitos de la norma EN12445 que establece los métodos de prueba para la comprobación de los automatismos para puertas.

Ensayo

Todos los componentes del automatismo, por ejemplo bordes sensibles, fotocélulas, paro de emergencia, etc. requieren una fase de ensayo específica; para estos dispositivos se deberán efectuar los procedimientos indicados en los respectivos manuales de instrucciones. Para el ensayo del motorreductor efectúe las siguientes operaciones:

01. Compruebe que se respeten rigurosamente todos los puntos previstos en este manual y en especial en el capítulo 1;
02. Desbloquee el motorreductor como se muestra en la Fig. 16;
03. Compruebe que sea posible mover manualmente la hoja en apertura y en cierre con una fuerza no superior a 390 N (aproximadamente 40 kg);
04. Bloquee el motorreductor y conecte la alimentación eléctrica;
05. Utilizando los dispositivos de mando o paro previstos (selector de llave, pulsadores de mando o transmisores de radio), efectúe pruebas de apertura, cierre y paro de la puerta y compruebe que el comportamiento corresponda a cuanto previsto;
06. Compruebe uno a uno el correcto funcionamiento de todos los dispositivos de seguridad presentes en la instalación (fotocélulas, bordes sensibles, paro de emergencia, etc.); y, comprobar que el comportamiento de la puerta corresponde con cuanto previsto;
07. Ordene una maniobra de cierre y compruebe la fuerza del impacto de la hoja contra el límite del tope de recorrido mecánico. Si es necesario, intente descargar la presión, buscando una regulación que dé mejores resultados;
08. Si se evitan las situaciones peligrosas provocadas por el movimiento de la hoja mediante la limitación de la fuerza de impacto se debe efectuar la medición de la fuerza según cuanto previsto por la norma EN 12445;

Nota – El motorreductor no tiene dispositivos de regulación de par, por lo tanto, dicha regulación es realizada por la central de mando.

Puesta en servicio

La puesta en servicio puede realizarse solo después de haber realizado con resultado positivo todas las fases de ensayo del motorreductor y de los otros dispositivos presentes. Para efectuar la puesta en servicio consulte el manual de instrucciones de la central de mando.

IMPORTANTE – **Se prohíbe la puesta en servicio parcial o en situaciones “provisionales”.**

6 MANTENIMIENTO DEL PRODUCTO

Para mantener constante el nivel de seguridad y para garantizar la máxima duración de todo el automatismo es necesario un mantenimiento regular.

El mantenimiento debe ser efectuado respetando plenamente las prescripciones sobre la seguridad de este manual y según cuanto previsto por las leyes y normativas vigentes. Para el motorreductor es necesario un mantenimiento programado como máximo en 6 meses.

Operaciones de mantenimiento:

01. Desconecte cualquier fuente de alimentación eléctrica.
02. Compruebe el estado de deterioro de todos los materiales que componen el automatismo con especial atención a fenómenos de erosión u oxidación de las partes estructurales; sustituya las partes que no ofrecen suficientes garantías.
03. Compruebe que las conexiones de tornillo estén adecuadamente sujetas;
04. Compruebe que el caracol y el tornillo sin fin estén adecuadamente engrasados.
05. Compruebe el estado de desgaste de las partes en movimiento y eventualmente sustituya las partes gastadas.
06. Vuelva a conectar las fuentes de alimentación eléctrica y efectúe todas las pruebas y las comprobaciones previstas en el capítulo 5.

Para los otros dispositivos presentes en la instalación, consulte el manual de instrucciones.

ELIMINACIÓN DEL PRODUCTO

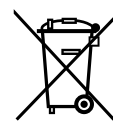
Este producto es parte integrante del automatismo, y por lo tanto, debe eliminarse junto con éste.

Como para las operaciones de instalaciones, también al final de la vida de este producto, las operaciones de eliminación deben ser efectuadas por personal calificado.

Este producto está formado por varios tipos de materiales: algunos pueden reciclarse, otros deben eliminarse. Infórmese sobre los sistemas de reciclaje o eliminación previstos por los reglamentos vigentes en el territorio, para esta categoría de producto.

¡ATENCIÓN! – Algunas partes del producto pueden contener sustancias contaminantes o peligrosas que, si se abandonan en el medio ambiente, podrían provocar efectos dañinos en el mismo medio ambiente y en la salud humana.

Como se indica en el símbolo de al lado, se prohíbe echar este producto en los residuos domésticos. Efectúe por lo tanto la “recogida separada” para la eliminación según los métodos previstos por los reglamentos vigentes en su territorio, o entregue de nuevo el producto al vendedor en el momento de la compra de un nuevo producto equivalente.



¡ATENCIÓN! – las reglas vigentes a nivel local pueden prever importantes sanciones en caso de eliminación abusiva de este producto.

CARACTERÍSTICAS TÉCNICAS DEL PRODUCTO

ADVERTENCIAS: • Todas las características técnicas indicadas se refieren a una temperatura ambiental de 20°C (± 5°C). • Nice s.p.a. se reserva el derecho de aportar modificaciones al producto en cualquier momento que considere necesario, manteniendo las mismas funciones y destino de uso.

Toona serie 4

	TO4005	TO4006	TO4015	TO4605	TO4024
Tipo	motorreductor electromecánico para puertas o portones de hojas batientes				
Alimentación	230 Vca 50 Hz	230 Vca 50 Hz	230 Vca 50 Hz	230 Vca 50 Hz	24 Vcc
Absorción máxima	1,5 A	1,5 A	1,5 A	1,3 A	5 A
Absorción nominal	1 A	1 A	1 A	0,9 A	2 A
Potencia máxima absorbida	340 W	340 W	340 W	300 W	120 W
Potencia nominal absorbida	180 W	180 W	180 W	160 W	48 W
Condensador incorporado	7 µF	7 µF	7 µF	7 µF	-
Grado de protección	IP 44	IP 44	IP 44	IP 44	IP 44
Recorrido	385 mm	350 mm	385 mm	385 mm	385 mm
Velocidad en vacío	0,016 m/s	0,016 m/s	0,013 m/s	0,016 m/s	0,016 m/s
Velocidad con carga	0,012 m/s	0,012 m/s	0,010 m/s	0,012 m/s	0,012 m/s
Fuerza máxima	1800 N	1800 N	1800 N	1800 N	1800 N
Fuerza nominal	600 N	600 N	600 N	600 N	600 N
Temperatura de funcionamiento	desde -20°C a +50°C	desde -20°C a +50°C	desde -20°C a +50°C	desde -20°C a +50°C	desde -20°C a +50°C
Termoprotección	140 °C	140 °C	140 °C	140 °C	-
Ciclos/h con la fuerza nominal	58	58	54	50	95
Duración	estimada entre 80.000 y 250.000 aproximadamente ciclos de maniobras según las condiciones indicadas en la Tabla 2				
Clase de aislamiento	F	F	F	F	F
Dimensiones (mm)	820 x 115 x 105 h	820 x 115 x 105 h	820 x 115 x 105 h	820 x 115 x 105 h	820 x 115 x 105 h
Peso	6 kg.	6 kg.	6 kg.	6 kg.	6 kg

Toona serie 5

	TO5015	TO5016	TO5605	TO5024	TO5024I	TO5024HS
Tipo	motorreductor electromecánico para puertas o portones de hojas batientes					
Alimentación	230 Vac 50 Hz	230 Vac 50 Hz	230 Vac 50 Hz	24 Vcc	24 Vcc	24 Vdc
Absorción máxima	1,5 A	1,5 A	1,3 A	5 A	5 A	5 A
Absorción nominal	1 A	1 A	0,9 A	2,2 A	2,2 A	2,5 A
Potencia máxima absorbida	340 W	340 W	300 W	120 W	120 W	120 W
Potencia nominal absorbida	180 W	180 W	160 W	48 W	60 W	60 W
Condensador incorporado	7 µF	7 µF	7 µF	-	-	-
Grado de protección	IP 44	IP 44	IP 44	IP 44	IP 44	IP 44
Recorrido	540 mm	505 mm	540 mm	540 mm	540 mm	505 mm
Velocidad en vacío	0,013 m/s	0,013 m/s	0,016 m/s	0,016 m/s	0,013 m/s	0,025 m/s
Velocidad con carga	0,010 m/s	0,010 m/s	0,012 m/s	0,012 m/s	0,010 m/s	0,018 m/s
Fuerza máxima	1800 N	1800 N	1800 N	1800 N	2200 N	1800 N
Fuerza nominal	600 N	600 N	600 N	600 N	800 N	600 N
Temperatura de uncio-namiento	desde -20°C a +50°C					
Termoproteccion	140 °C	140 °C	140 °C	-	-	-
Ciclos/h con la fuerza nominal	54	54	50	95	75	75
Duración	estimada entre 80.000 y 250.000 aproximadamente ciclos de maniobras según las condiciones indicadas en la Tabla 2					
Clase de aislamiento	F					
Dimensiones (mm)	965 x 115 x 105 h					
Peso	7 kg	7 kg	7 kg	7 kg	8 kg	7,5 kg

Toona serie 6-7

	TO6024HS	TO7024
Tipo	motorreductor electromecánico para puertas o portones de hojas batientes	
Alimentación	24 Vcc	24 Vcc
Absorción máxima	5 A	5 A
Absorción nominal	2,5 A	2,5 A
Potencia máxima absorbida	120 W	120 W
Potencia nominal absorbida	60 W	60 W
Grado de protección	IP 44	IP 44
Recorrido	584 mm	584 mm
Velocidad en vacío	0,016 m/s	0,013 m/s
Fuerza máxima	2200 N	2700 N
Fuerza nominal	1200 N	1400 N
Temperatura de funcionamiento	desde - 20 °C a + 50 °C	desde - 20 °C a + 50 °C
Ciclos/h con la fuerza nominal	41	41
Duración	estimada entre 80.000 y 250.000 aproximadamente ciclos de maniobras según las condiciones indicadas en la Tabla 2	
Clase de aislamiento	F	F
Dimensiones (mm)	1200 x 128 x 150 h	1200 x 128 x 150 h
Peso	15 kg	15 kg

Duración del producto

La duración es la vida económica media del producto. El valor de duración está muy influido por el índice de desgaste de las maniobras efectuadas por el automatismo: esto es, la suma de todos los factores que contribuyen al desgaste del producto (véase Tabla 2).

Para establecer la duración probable de su automatismo, siga los siguientes pasos:

01. Calcule el índice de desgaste sumando entre ellos los valores en porcentajes de las voces presentes en la **Tabla 2**;

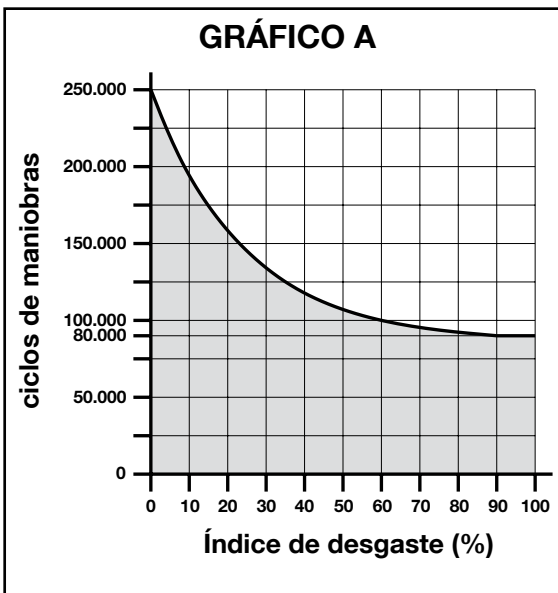
02. En el **GRÁFICO A** con el valor que se acaba de calcular, trace una línea vertical hasta cruzar la curva; desde este punto trace una línea horizontal hasta cruzar la línea de los "ciclos de maniobras". El valor determinado es la duración estimada de su producto.

La estimación de duración se realiza según cálculos de diseño y de los resultados de pruebas efectuadas en prototipos. De hecho, dado que es una estimación, no representa ninguna garantía sobre la efectiva duración del producto.

TABLA 2

		Índice de desgaste		
		Toona 4	Toona 5	Toona 6-7
Peso de la hoja:	> 200 kg	10 %	0 %	0 %
	> 300 kg	20 %	10 %	0 %
	> 400 kg	30 %	20 %	10 %
	> 500 kg	-	30 %	20 %
Longitud de la hoja:	2 - 3 m	20 %	0 %	0 %
	3 - 4 m	-	10 %	0 %
	4 - 5 m	-	20 %	10 %
	5 - 6 m	-	-	20 %
	6 - 7 m	-	-	30 %
Temperatura ambiente superior a 40°C o inferior a 0°C o humedad superior a 80%		20 %	20 %	20 %
Hoja ciega:		15 %	15 %	15 %
Instalación en zona ventosa:		15 %	15 %	15 %

GRÁFICO A



Ejemplo de cálculo de duración de un motorreductor Toona serie 5 (consulte la Tabla 2 y el Gráfico A):

- peso de la hoja = 350 kg. (índice de desgaste = 10%)
- longitud de la hoja = 3,5 m (índice de desgaste = 10%)
- no presentes otros elementos de fatiga

Índice de desgaste total = 20%

Duración estimada = 160.000 ciclos de maniobra

Declaración de conformidad CE

y declaración de incorporación de una "cuasi máquina"

Declaración de conformidad con las Directivas: 2004/108/CE (EMC); 2006/42/CE (MD) anexo II, parte B

Nota - El contenido de esta declaración corresponde a lo declarado en el documento oficial depositado en la sede de Nice S.p.a. y, en particular, a su última revisión disponible antes de la impresión de este manual. El texto ha sido readaptado por motivos de impresión. No obstante, se puede solicitar una copia de la declaración original a Nice S.p.a. (TV) I.

Número de declaración: **288/TO**

Revisión: **5**

Idioma: **ES**

Nombre del fabricante: NICE S.p.A.

Dirección: Via Pezza Alta n.º 13, 31046 Rustignè di Oderzo (TV), Italia

Persona autorizada para elaborar la documentación técnica: NICE S.p.A.

Tipo de producto: Motorreductor electromecánico serie "TOONA"

Modelo: TO4005, TO4006, TO4015, TO4024, TO4605, TO5015, TO5016, TO5024, TO5605, TO5624, TO7024, TO5024HS, TO6024HS

Accesorios: Ninguno accesorio.

El que suscribe, Mauro Sordini, en calidad de Chief Executive Officer, declara bajo su responsabilidad que el producto antedicho es conforme a las disposiciones de las siguientes directivas:

- DIRECTIVA 2004/108/CE DEL PARLAMENTO EUROPEO Y DEL CONSEJO del 15 diciembre de 2004 relativa a la asimilación de las leyes de los Estados miembros sobre la compatibilidad electromagnética y que revoca la directiva 89/336/CEE, según las siguientes normas armonizadas: EN 61000-6-2:2005; EN 61000-6-3:2007 + A1:2011.

Asimismo, el producto cumple con la siguiente directiva de conformidad con los requisitos previstos para las "cuasi máquinas":

- Directiva 2006/42/CE DEL PARLAMENTO EUROPEO Y DEL CONSEJO del 17 de mayo de 2006 relativa a las máquinas y por la que se modifica la Directiva 95/16/CE (refundición)
 - Se declara que la documentación técnica correspondiente se ha elaborado de conformidad con el anexo VII B de la Directiva 2006/42/CE y que se han respetado los siguientes requisitos fundamentales: 1.1.1 - 1.1.2 - 1.1.3 - 1.2.1 - 1.2.6 - 1.5.1 - 1.5.2 - 1.5.5 - 1.5.6 - 1.5.7 - 1.5.8 - 1.5.10 - 1.5.11.
 - El fabricante se compromete a remitir a las autoridades nacionales, previa solicitud justificada, la información pertinente acerca de la "cuasi máquina", sin perjudicar en ningún momento los propios derechos de propiedad intelectual.
 - Si la "cuasi máquina" se pone en servicio en un país europeo cuyo idioma oficial no es el de esta declaración, el importador tendrá la obligación de adjuntar la traducción correspondiente.
 - Se advierte que la "cuasi máquina" no deberá ponerse en servicio hasta que la máquina que la contenga no sea declarada conforme en virtud de la directiva 2006/42/CE, si procede.

El producto cumple con las siguientes normas:

EN 60335-1:2012; EN 60335-2-103:2003 + A11:2009.

El producto, con limitación a las partes aplicables, también cumple con las siguientes normas:

EN 13241-1:2003 + A1:2011; EN 12445:2002; EN 12453:2002; EN 12978:2003 + A1:2009.

Oderzo, 30 de octubre de 2014

Ing. Mauro Sordini
(Chief Executive Officer)



1 ALLGEMEINE SICHERHEITSHINWEISE UND VORSICHTSMASSNAHMEN

Sicherheitshinweise

- **ACHTUNG!** – Dieses Handbuch enthält wichtige Anweisungen und Warnhinweise zur Sicherheit der Personen. Eine falsche Installation kann schwere Verletzungen verursachen. Vor Beginn der Arbeit sind alle Teile des Handbuchs aufmerksam durchzulesen. In Zweifelsfällen die Installation unterbrechen und vom Nice-Kundendienst Klärungen verlangen.
- **ACHTUNG!** – Nach der neusten europäischen Gesetzgebung muss die Herstellung einer/s automatischen Tür/Tors die in der EG-Richtlinie 98/37 (Maschinenrichtlinie) vorgesehenen Normen beachten, im Besonderen die Normen EN 12445; EN 12453; EN 12635 und EN 13241-1, die es gestatten, die mutmaßliche Konformität der Automatik zu erklären. In Anbetracht dessen dürfen alle Verfahren zu Installation, Anschluss, Prüfung und Wartung des Produkts ausschließlich von einem qualifizierten und kompetenten Techniker ausgeführt werden!
- **ACHTUNG!** – Wichtige Anweisungen: Dieses Handbuch für eventuelle künftige Verfahren zur Wartung und zur Entsorgung des Produkts aufbewahren.

Hinweise zur Installation

- Vor Beginn der Installation überprüfen, ob das vorliegende Produkt dazu geeignet ist, Ihr Tor zu automatisieren (siehe Kapitel 3 und die "Technischen Merkmale des Produkts"). Wenn es nicht dazu geeignet ist, die Installation NICHT vornehmen.
- Im Versorgungsnetz der Anlage eine Ausschaltvorrichtung mit einem Kontaktöffnungsabstand vorsehen, der die vollständige Ausschaltung unter den in der Kategorie Überspannung III vorgeschriebenen Bedingungen ermöglicht.
- **Alle Installations- und Wartungsarbeiten müssen bei von der Stromversorgung getrenntem Antrieb erfolgen.** Wenn die Vorrichtung zur Trennung von der Stromversorgung vom Ort, an dem der Antrieb angebracht ist, aus nicht sichtbar ist, ist vor Arbeitsbeginn an der Ausschaltvorrichtung ein Schild mit der Aufschrift "ACHTUNG! WARTUNG IN GANG" anzubringen.
- Bei der Installation den Antrieb sorgfältig handhaben, um Quetschen, Stöße, Fall oder Kontakt mit Flüssigkeiten jeglicher Art zu vermeiden. Das Produkt weder in die Nähe von Wärmequellen bringen noch offenen Flammen aussetzen. Alle diese Handlungen können es beschädigen und Betriebsstörungen oder Gefahrensituationen herbeiführen. Sollte dies geschehen, sofort die Installation unterbrechen und den Nice-Kundendienst kontaktieren.
- An keinem Teil des Produkts Abänderungen vornehmen. Unerlaubte Verfahren können nur Betriebsstörungen hervorrufen. Der Hersteller lehnt jede Haftung für Schäden ab, die aus eigenmächtigen Abänderungen des Produkts entstehen.
- Wenn das Tor, das mit einer Automatik versehen werden soll, eine Fußgängertür besitzt, ist die Anlage mit einem Kontrollsystem auszustatten, das den Motorbetrieb verhindert, wenn die Fußgängertür offen ist.
- Überprüfen, dass keine Verfangstellen mit festen Teilen vorhanden sind, wenn sich der Torflügel in der maximalen Öffnungsposition befindet, und gegebenenfalls diese Teile schützen.
- Die Wandsteuertafel ist in Sicht des Antriebs anzubringen, und zwar entfernt von seinen beweglichen Teilen und in einer Mindesthöhe von 1,5 m vom Boden und für die Öffentlichkeit nicht zugänglich.
- Das Verpackungsmaterial des Produkts ist unter vollständiger Beachtung der örtlichen Bestimmungen zu entsorgen.

2 BESCHREIBUNG DES PRODUKTS UND BESTIMMUNGZWECK

Das vorliegende Produkt ist dazu bestimmt, als Antriebsautomatik für Flügel-tore sowohl für Wohn- als auch für industrielle Zwecke zu dienen. **ACHTUNG!** – Jede andere Verwendung als die beschriebene oder unter anderen Umgebungsbedingungen als die in diesem Handbuch angegebenen gilt als missbräuchliche Verwendung und ist verboten!

Bei dem Produkt handelt es sich um einen elektromechanischen Getriebemotor, der mit einem 24-V-Gleichstrommotor oder 230-V-Wechselstrommotor (je nach gewähltem Modell) und einem Untersetzungsgetriebe mit Schnecke ausgestattet ist.

Der Getriebemotor wird von der äußeren Steuereinheit gespeist, an die er anzuschließen ist.

Im Falle von Stromausfall (Black-out), können die Torflügel "von Hand" bewegt werden, wobei der Antrieb manuell freizugeben ist.

Abb. 1 zeigt alle in der Verpackung enthaltenen Bauteile (je nach gewähltem Modell):

- [a] - elektromechanischer Getriebemotor
- [b] - vorderer Bügel (zur Befestigung des Antriebs am Torflügel)
- [c] - hinterer Bügel und Befestigungsplatte (zur Befestigung des Antriebs an der Wand)
- [d] - Metallkleinteile (Schrauben, U-Scheiben usw.)
- [e] - Schlüssel zur manuellen Freigabe des Antriebs

3 INSTALLATION

3.1 - Der Installation vorhergehende Prüfungen

Vor Beginn der Installation sind die Unversehrtheit der Bauteile des Produkts, die Angemessenheit des gewählten Modells und die Eignung der zur Installation bestimmten Umgebung zu überprüfen.

WICHTIG – Der Getriebemotor kann nicht als Antriebsautomatik für ein manuelles Tor dienen, das keinen effizienten und sicheren mechanischen Aufbau besitzt. Außerdem kann er keine Defekte lösen, die durch eine falsche Montage oder eine schlechte Instandhaltung des Tors verursacht wurden.

3.2 - Eignung des Tors, das automatisiert werden soll, und der Umgebung

- Überprüfen, dass der mechanische Aufbau des Tors zur Automatisierung geeignet ist und den im Gebiet geltenden Bestimmungen entspricht (gegebenenfalls auf die Daten Bezug nehmen, die auf dem Etikett des Tors wiedergegeben sind).
- Den Torflügel zum Öffnen und zum Schließen von Hand bewegen und kontrollieren, dass die Bewegung mit gleicher und konstanter Reibung an jedem Punkt des Laufs erfolgt (es dürfen keine Momente größerer Beanspruchung vorhanden sein).
- Überprüfen, dass das Tor im Gleichgewicht bleibt, d.h. sich nicht bewegt, wenn es von Hand in eine beliebige Position gebracht und dort gelassen wird.
- Überprüfen, dass der Raum rings um den Antrieb es ermöglicht, die Torflügel leicht und sicher von Hand freizugeben.
- Überprüfen, dass die zur Installation des Produkts gewählten Oberflächen fest sind und eine stabile Befestigung gewährleisten.
- Überprüfen, dass der Bereich zur Befestigung des Antriebs mit dessen Ausmaßen vereinbar ist, siehe **Abb 2**: Die richtige Bewegung zum Öffnen des Tors und die Kraft, die der Antrieb ausübt, um sie auszuführen, hängen von der Position ab, in der der hintere Befestigungsbügel angebracht wird. Vor der Montage ist daher auf das **Schaubild 2** Bezug zu nehmen, um den maximalen Öffnungswinkel des Torflügels und die für die Anlage geeignete Kraft des Antriebs zu bestimmen.

3.3 - Verwendungsgrenzen des Produkts

Vor der Montage des Produkts ist zu überprüfen, dass die Abmessungen und das Gewicht des Torflügels innerhalb der in **Schaubild 1** angegebenen Grenzen liegen.

3.4 - Vorbereitungsarbeiten für die Installation

Abb. 3 zeigt das Beispiel einer mit Nice-Bauteilen geschaffenen automatischen Anlage. Diese Bauteile sind nach einem typischen und üblichen Schema positioniert.

Unter Bezugnahme auf **Abb. 3** die ungefähre Position, in der jedes Bauteil montiert werden soll, und das am besten geeignete Anschlusschema bestimmen.

Zur Herstellung einer vollständigen Anlage dienende Bauteile (Abb. 3):

- 1 - Elektromechanische Getriebemotoren
- 2 - Fotozellenpaar
- 3 - Feststellerpaar (bei Öffnung)
- 4 - Säulen für Fotozellen
- 5 - Blinkgerät mit eingebauter Antenne
- 6 - Schlüsselwählschalter oder Digitaltastatur
- 7 - Senkrecht Elektroschloss (nur für umsteuerbare Modelle)
- 8 - Steuergerät

3.5 - Montage der Befestigungsbügel und des Getriebemotors

3.5.1 - Installation des hinteren Befestigungsbügel

Die Position des hinteren Bügel mithilfe von **Schaubild 2** berechnen. Dieses Schaubild dient zur Bestimmung der **Positioniermaße A** und **B** sowie des **Werts des maximalen Öffnungswinkels** des Torflügels. **Wichtig** – die

Werte A und B müssen einander ähnlich sein, um eine lineare Bewegung der Antriebsautomatik zu gestatten.

01. An der Befestigungswand den Wert des **Positioniermaßes C** messen (**Abb. 4**);
02. Auf dem **Schaubild 2** das gefundene **Positioniermaß C** messen und eine waagrechte Linie ziehen, die den Wert des **Positioniermaßes B(*)** bestimmt, wie im Beispiel von **Abb. 5** gezeigt. Der Kreuzpunkt mit der Linie "r.i.l." (empfohlene Montagelinie) bestimmt den Wert des maximalen Öffnungswinkels. Von diesem Punkt aus eine senkrechte Linie ziehen, wie im Beispiel von **Abb. 5** gezeigt, um den Wert des **Positioniermaßes A** zu bestimmen.

Wenn der gefundene Winkel nicht Ihren Erfordernissen entspricht, müssen Sie das Positioniermaß A und eventuell das **Positioniermaß B** anpassen, damit sie einander ähnlich sind.

(* Wir empfehlen, für das Positioniermaß B keine unter der Linie "r" liegenden Werte zu verwenden (siehe Schaubild 2).

03. Bevor der Bügel an der Wand befestigt wird, ist er an die spezielle Befestigungsplatte anzuschweißen (**Abb. 7**). Falls erforderlich, kann der Bügel geschnitten werden, wobei dann die Werte der Positioniermaße A und B anzupassen sind.

Anmerkung – Mitgelieferter Bügel für den Antrieb Toona Serie 4-5, Längenmaß 150 mm. Im Falle besonderer Anwendungen oder falls das Tor sich nach außen öffnet (**Abb. 6**), kann der Bügel Mod. PLA6 (Zubehör) verwendet werden.

ACHTUNG! – Vor der Befestigung des hinteren Bügels überprüfen, dass der Bereich zur Befestigung des vorderen Bügels in einen festen Bereich des Torflügels fällt, da dieser Bügel in einer anderen Höhe als der hintere Bügel zu befestigen ist (**Abb.8**).

04. Nun den Bügel mit Dübeln, Schrauben und geeigneten U-Scheiben (nicht mitgeliefert) befestigen.

3.5.2 – Montage des vorderen Befestigungsbügel

Der vordere Bügel ist unter Beachtung der Werte der **Positioniermaße D** und **E** am Torflügel zu befestigen (**Abb. 4**).

Anmerkung – Der mitgelieferte Bügel für den Antrieb Toona Serie 4-5 ist direkt an den Torflügel zu schweißen. Sollte dies nicht möglich sein, ist der Bügel Mod. PLA8 (Zubehör) zu verwenden.

01. Den Wert des **Positioniermaßes E** unter Benutzung der **Tabelle 1** bestimmen;
02. Die Höhe bestimmen, in der der vordere Bügel anzubringen ist, dabei auf **Abb. 8** Bezug nehmen;
03. Danach den Bügel am festen Teil des Torflügels befestigen.

3.5.3 – Montage des Antriebs an den Befestigungsbügel

• Montage des Antriebs am hinteren Bügel:

01. Den Antrieb am Bügel befestigen, wie in **Abb. 9** gezeigt, dabei die mitgelieferte Schraube, U-Scheibe und Mutter benutzen;
02. Die Mutter vollständig anziehen und danach um ca. 1/10 Schraubendrehung lockern, um ein Mindestspiel zwischen den Teilen zu ermöglichen.

• Montage des Antriebs am vorderen Bügel:

01. Den Antrieb am Bügel befestigen, wie in **Abb. 10** gezeigt, dabei die mitgelieferte Schraube und U-Scheibe benutzen;
02. Die Schraube vollständig anziehen;
03. In der Nähe des Antriebs das in der Verpackung enthaltene Etikett, das die Verfahren zur manuellen Freigabe und Blockierung des Antriebs betrifft, dauerhaft befestigen.

3.6 - Einstellung des mechanischen Anschlags

Der mechanische Anschlag ermöglicht die Regulierung der Feststellposition des Torflügels. Auf diese Weise ist die Benutzung der Feststeller nicht erforderlich, und es wird vermieden, dass der Torflügel am Ende des Manövers gegen diese schlägt.

• Toona Serie 4-5 (24 V)

ACHTUNG – Im Falle von Anwendungen bei einem Tor, das sich nach außen öffnet (**Abb. 6**), sind die Zuführungsdrähte umzukehren. Den **Öffnungsanschlag** des Antriebs wie folgt einstellen:

01. Den Antrieb freigeben, wie in **Abb. 16** gezeigt;
02. Die Schrauben des mechanischen Feststellers lockern;
03. Den Torflügel von Hand in die gewünschte Öffnungsposition bringen;
04. Danach den mechanischen Feststeller zum Zapfenanschlag bringen und die Schraube spannen (**Abb. 11**);
05. Den Torflügel von Hand in die Schließposition bringen und den Antrieb blockieren.

Anmerkung – Die Antriebe Mod. TO4006 und Mod. TO5016 sind mit mechanischem Anschlag auch für den Schließvorgang ausgestattet. Wenn Sie eines dieser Modelle besitzen, müssen Sie zur Regulierung des mechanischen Anschlags das oben beschriebene Verfahren wiederholen, und zwar mit einer Variation unter **Punkt 03**: In diesem Fall muss der Torflügel von Hand in die gewünschte Schließposition gebracht werden.

• Toona Serie 4-5 (230 V)

Die für 230 V Wechselstrom vorgesehenen Antriebe Toona Serie 4-5 sind mit mechanischem Feststeller mit Mikroschalter ausgestattet, der bei Kontakt mit dem Zapfen die Stromversorgung unterbricht. **ACHTUNG** – Im Falle von

TABELLE 1

	Toona 4					Toona 5					Toona 6-7
	TO4005	TO4006	TO4015	TO4605	TO4024	TO5015	TO5016	TO5605	TO5024 TO5024HS	TO5024I	
D (mm):	730	695	730	730	730	880	845	880	880	880	1070
A (mm)	E (mm)					E (mm)					E (mm)
100	630	595	630	630	630	780	745	780	780	780	
110	620	585	620	620	620	770	735	770	770	770	
120	610	575	610	610	610	760	725	760	760	760	
130	600	565	600	600	600	750	715	750	750	750	
140	590	555	590	590	590	740	705	740	740	740	
150	580	545	580	580	580	730	695	730	730	730	
160	570	535	570	570	570	720	685	720	720	720	
170	560	525	560	560	560	710	675	710	710	710	
180	550	515	550	550	550	700	665	700	700	700	890
190	540	505	540	540	540	690	655	690	690	690	880
200	530	495	530	530	530	680	645	680	680	680	870
210	520	485	530	530	530	670	635	670	670	670	860
220						660	625	660	660	660	850
230						650	615	650	650	650	840
240						640	605	640	640	640	830
250						630	595	630	630	630	820
260						620	585	620	620	620	810
270						610	575	610	610	610	800
280						600	565	600	600	600	790

Anwendungen bei einem Tor, das sich nach außen öffnet (Abb. 6), sind die Zuführungsdrähte umzukehren.

• Toona Serie 6-7

Einstellung des **Anschlags beim Öffnen und Schließen** des Antriebs

01. Den Antrieb freigeben, wie in **Abb. 16** gezeigt;
02. Den Torflügel von Hand bewegen, bis die Schraube des mechanischen Feststellers sichtbar ist, und die Schraube lockern;
03. Den Torflügel von Hand in die gewünschte Öffnungsposition bringen;
04. Danach den mechanischen Feststeller zum Zapfenanschlag bringen und die Schraube spannen (**Abb. 12**);
05. Nun dieses Verfahren wiederholen, indem der Torflügel in die maximale Schließposition gebracht wird, um den Anschlag beim Schließen einzustellen;
06. Zuletzt den Antrieb blockieren.

4 ELEKTRISCHE ANSCHLÜSSE

ACHTUNG!

- Ein falscher Anschluss kann Störungen oder Gefahrensituationen herbeiführen, daher sind die angegebenen Anschlüsse gewissenhaft zu befolgen.
- Die Anschlussverfahren bei getrennter Stromversorgung ausführen.

Zum Anschluss des Antriebs an das Steuergerät ist folgendermaßen vorzugehen:

01. Die Abdeckung des Antriebs entfernen, wie in **Abb. 13** gezeigt;
02. Den Kabeldurchgang des Antriebs lockern und die Anschlusskabel in das Loch einführen (**Abb. 14**);
03. Die verschiedenen Drähte und das Kabel der Erdleitung genau so anschließen, wie im Schaltbild von **Abb. 15** gezeigt;
04. Die Abdeckung wieder am Antrieb anbringen.

Zur Überprüfung der Anschlüsse, des Drehsinns des Motors, der Phasenverschiebung der Torflügelbewegung und der Einstellung des Anschlags ist auf die Betriebsanleitung des Steuergeräts Bezug zu nehmen.

WICHTIG – Bei einem mit Öffnung nach außen konfigurierten Tor sind die Zuführungsdrähte in Bezug auf die Standardinstallation umzukehren.

5 ENDPRÜFUNG DER ANTRIEBSAUTOMATIK

Dies ist die wichtigste Phase bei der Herstellung der Antriebsautomatik, um maximale Sicherheit zu gewährleisten. Die Endprüfung kann auch zur periodischen Kontrolle der Vorrichtungen, aus denen die Automatik besteht, dienen.

Die Endprüfung der gesamten Anlage muss durch qualifiziertes Fachpersonal erfolgen, das die verlangten Prüfungen in Funktion des vorhandenen Risikos übernehmen und die Beachtung der Vorschriften von Gesetzen, Bestimmungen und Regelungen - im Besonderen aller Anforderungen der Norm, die die Prüfmethode zur Überprüfung der Antriebsautomatiken für Tore festlegt - kontrollieren.

Endprüfung

Jedes einzelne Element der Antriebsautomatik, z.B. sensible Ränder, Fotozellen, Notstopp usw. erfordern eine spezielle Prüfphase. Für diese Vorrichtungen sind die in den entsprechenden Betriebsanleitungen angegebenen Verfahren auszuführen. Zur Endprüfung des Antriebs sind folgende Vorgänge zu befolgen:

01. Kontrollieren, dass alle in diesem Handbuch und insbesondere in Kapitel 1 enthaltenen Angaben streng beachtet wurden;
02. Den Antrieb freigeben, wie in **Abb. 16** gezeigt;
03. Kontrollieren, dass der Torflügel beim Öffnen und Schließen mit einer Kraft von nicht mehr als 390 N (ca. 40 kg) von Hand bewegt werden kann;
04. Den Antrieb blockieren und die Stromversorgung anschließen;
05. Mithilfe der vorgesehenen Steuer- und Stoppvorrichtungen (Schlüsselwählschalter, Bedienungsknöpfe oder Funksender) Tests zum Öffnen, Schließen und Stoppen des Tors vornehmen und kontrollieren, ob das Verhalten dem vorgesehenen entspricht;
06. Eins nach dem anderen den einwandfreien Betrieb aller in der Anlage vorhandenen Sicherheitsvorrichtungen überprüfen (Fotozellen, sensible Ränder, Notstopp usw.) und kontrollieren, ob das Verhalten dem vorgesehenen entspricht;
07. Einen Schließvorgang steuern und die Aufprallkraft des Tors gegen den mechanischen Anschlag überprüfen. Bei Bedarf den Druck prüfen und ablassen, um eine Einstellung zu finden, die bessere Ergebnisse erzielt;

08. Wenn die durch die Torflügelbewegung herbeigeführten Gefahrensituationen durch Begrenzung der Aufprallkraft geschützt wurden, ist Kraftmessung gemäß den Vorschriften der Norm EN 12445 vorzunehmen;

Anmerkung – Der Antrieb ist nicht mit Vorrichtungen zur Drehmomentregulierung ausgestattet, daher ist diese Regulierung dem Steuergerät anvertraut.

Inbetriebsetzung

Die Inbetriebsetzung darf erst erfolgen, nachdem alle Phasen der Antriebsprüfung mit positivem Ergebnis ausgeführt wurden. Zur Inbetriebsetzung ist auf die Betriebsanleitung des Steuergeräts Bezug zu nehmen.

WICHTIG – Die teilweise oder in "provisorischen" Situationen erfolgende Inbetriebsetzung ist verboten.

6 WARTUNG DES PRODUKTS

Um das Sicherheitsniveau konstant zu halten und eine maximale Dauer der gesamten Antriebsautomatik zu garantieren, ist eine regelmäßige Wartung erforderlich.

Die Wartung muss unter vollständiger Beachtung der Sicherheitsvorschriften dieses Handbuchs und gemäß den Vorschriften der geltenden Gesetze und Bestimmungen erfolgen. Für den Getriebemotor ist eine programmierte Wartung innerhalb von max. 6 Monaten erforderlich.

Wartungsverfahren:

01. Alle Stromversorgungsquellen trennen.
02. Den Verschleißzustand aller Materialien, aus denen die Antriebsautomatik besteht, überprüfen, mit besonderem Augenmerk auf Erosions- oder Oxidationserscheinungen an den strukturellen Teilen. Die Teile, die keine ausreichende Sicherheit bieten, sind auszuwechseln.
03. Überprüfen, dass die Schraubanschlüsse angemessen festgeschraubt sind.
04. Überprüfen, dass das Mutterschloss und die Schnecke angemessen geschmiert sind.
05. Den Abnutzungszustand aller beweglichen Teile überprüfen und gegebenenfalls die verschlissenen Teile auswechseln.
06. Die Stromversorgungsquellen wieder anschließen und alle Tests und Prüfungen vornehmen, die in Kapitel 5 vorgesehen sind.

Für die weiteren in der Anlage vorhandenen Vorrichtungen ist auf deren Betriebsanleitungen Bezug zu nehmen.

ENTSORGUNG DES PRODUKTS

Dieses Produkt ist Teil der Antriebsautomatik und ist daher mit dieser zu entsorgen.

Wie die Installationsverfahren ist auch die Verschrottung am Lebensende dieses Produkts von Fachpersonal vorzunehmen.

Dieses Produkt besteht aus verschiedenen Materialtypen: Einige können recycelt werden, andere sind zu entsorgen. Informieren Sie sich bitte über die Recycling- oder Entsorgungssysteme, die von den in Ihrem Land geltenden Bestimmungen für diese Produktkategorie vorgesehen sind.

ACHTUNG! – Einige Teile des Produkts können Schad- oder Gefahrenstoffe enthalten, die bei Zerstreuung in der Umwelt schädliche Auswirkungen auf die Umwelt und auf die menschliche Gesundheit haben könnten.

Wie vom seitlichen Symbol angezeigt, ist es verboten, dieses Produkt in den Hausmüll zu werfen. Zur Entsorgung ist daher die "getrennte Müllsammmlung" nach den Methoden vorzunehmen, die von den in Ihrem Land geltenden Bestimmungen vorgesehen sind. Das Produkt kann beim Kauf eines neuen gleichwertigen Produkts auch an den Händler zurückgegeben werden.



ACHTUNG! – Die auf örtlicher Ebene geltenden Bestimmungen können im Fall einer rechtswidrigen Entsorgung dieses Produkts schwere Strafen vorsehen.

TECHNISCHE MERKMALE DES PRODUKTS

HINWEISE: • Alle hier wiedergegebenen technischen Merkmale beziehen sich auf eine Umgebungstemperatur von 20°C (± 5°C). • Die Firma Nice S.p.a. behält sich das Recht vor, jederzeit Änderungen am Produkt vorzunehmen, falls sie es für notwendig hält, wobei jedoch dieselbe Funktionstüchtigkeit und derselben Bestimmungszweck beibehalten wird.

Toona Serie 4

	TO4005	TO4006	TO4015	TO4605	TO4024
Typologie	Elektromechanischer Antrieb mit Untersetzungsgetriebe für Flügeltore				
Speisung	230 Vac 50 Hz	230 Vac 50 Hz	230 Vac 50 Hz	230 Vac 50 Hz	24 Vdc
Bedarfsspitze	1,5 A	1,5 A	1,5 A	1,3 A	5 A
Nennaufnahme	1 A	1 A	1 A	0,9 A	2 A
Max. Leistungsaufnahme	340 W	340 W	340 W	300 W	120 W
Nominale Leistungsaufnahme	180 W	180 W	180 W	160 W	48 W
Eingebauter Kondensator	7 µF	7 µF	7 µF	7 µF	-
Schutzgrad	IP 44	IP 44	IP 44	IP 44	IP 44
Lauf	385 mm	350 mm	385 mm	385 mm	385 mm
Leergeschwindigkeit	0,016 m/s	0,016 m/s	0,013 m/s	0,016 m/s	0,016 m/s
Belastungsgeschwindigkeit	0,012 m/s	0,012 m/s	0,010 m/s	0,012 m/s	0,012 m/s
Maximalkraft	1800 N	1800 N	1800 N	1800 N	1800 N
Nennkraft	600 N	600 N	600 N	600 N	600 N
Betriebstemperatur	-20 °C bis +50 °C	-20 °C bis +50 °C	-20 °C bis +50 °C	-20 °C bis +50 °C	-20 °C bis +50 °C
Wärmeschutz	140 °C	140 °C	140 °C	140 °C	-
Zyklen/Stunde bei Nennkraft	58	58	54	50	95
Beständigkeit	geschätzt zwischen ca. 80.000 und 250.000 Betätigungszyklen gemäß den in Tabelle 2 angeführten Bedingungen				
Isolierklasse	F	F	F	F	F
Abmessungen (mm)	820 x 115 x 105 h	820 x 115 x 105 h	820 x 115 x 105 h	820 x 115 x 105 h	820 x 115 x 105 h
Gewicht	6 kg	6 kg	6 kg	6 kg	6 kg

Toona serie 5

	TO5015	TO5016	TO5605	TO5024	TO5024I	TO5024HS
Typologie	Elektromechanischer Antrieb mit Untersetzungsgetriebe für Flügeltore					
Speisung	230 Vac 50 Hz	230 Vac 50 Hz	230 Vac 50 Hz	24 Vdc	24 Vdc	24 Vdc
Bedarfsspitze	1,5 A	1,5 A	1,3 A	5 A	5 A	5 A
Nennaufnahme	1 A	1 A	0,9 A	2,2 A	2,2 A	2,5 A
Max. Leistungsaufnahme	340 W	340 W	300 W	120 W	120 W	120 W
Nominale Leistungsaufnahme	180 W	180 W	160 W	48 W	60 W	60 W
Eingebauter Kondensator	7 µF	7 µF	7 µF	-	-	-
Schutzgrad	IP 44	IP 44	IP 44	IP 44	IP 44	IP 44
Lauf	540 mm	505 mm	540 mm	540 mm	540 mm	505 mm
Leergeschwindigkeit	0,013 m/s	0,013 m/s	0,016 m/s	0,016 m/s	0,013 m/s	0,025 m/s
Belastungsgeschwindigkeit	0,010 m/s	0,010 m/s	0,012 m/s	0,012 m/s	0,010 m/s	0,018 m/s
Maximalkraft	1800 N	1800 N	1800 N	1800 N	2200 N	1800 N
Nennkraft	600 N	600 N	600 N	600 N	800 N	600 N
Betriebstemperatur	-20 °C bis +50 °C					
Wärmeschutz	140 °C	140 °C	140 °C	-	-	-
Zyklen/Stunde bei Nennkraft	54	54	50	95	75	75
Beständigkeit	geschätzt zwischen ca. 80.000 und 250.000 Betätigungszyklen gemäß den in Tabelle 2 angeführten Bedingungen					
Isolierklasse	F					
Abmessungen (mm)	965 x 115 x 105 h					
Gewicht	7 kg	7 kg	7 kg	7 kg	8 kg	7,5 kg

Toona serie 6-7

	TO6024HS	TO7024
Typologie	elektromechanischer Antrieb mit Unteretzungsgetriebe für Flügeltore	
Speisung	24 Vdc	24 Vdc
Bedarfsspitze	5 A	5 A
Nennaufnahme	2,5 A	2,5 A
Max. Leistungsaufnahme	120 W	120 W
Nominale Leistungsaufnahme	60 W	60 W
Schutzgrad	IP 44	IP 44
Lauf	584 mm	584 mm
Leergeschwindigkeit	0,016 m/s	0,013 m/s
Maximalkraft	2200 N	2700 N
Nennkraft	1200 N	1400 N
Betriebstemperatur	-20 °C bis +50 °C	-20 °C bis +50 °C
Zyklen/Stunde bei Nennkraft	41	41
Beständigkeit	geschätzt zwischen ca. 80.000 und 250.000 Betätigungszyklen gemäß den in Tabelle 2 angeführten Bedingungen	
Isolierklasse	F	F
Abmessungen (mm)	1200 x 128 x 150 h	1200 x 128 x 150 h
Gewicht	15 kg	15 kg

Beständigkeit des Produkts

Die Beständigkeit ist die durchschnittliche Brauchbarkeitsdauer des Produkts. Der Beständigkeitswert wird stark durch den Belastungsindex der von der Antriebsautomatik ausgeführten Manöver, d.h. die Summe aller zum Verschleiß des Produkts beitragenden Faktoren, beeinflusst (siehe Tabelle 2).

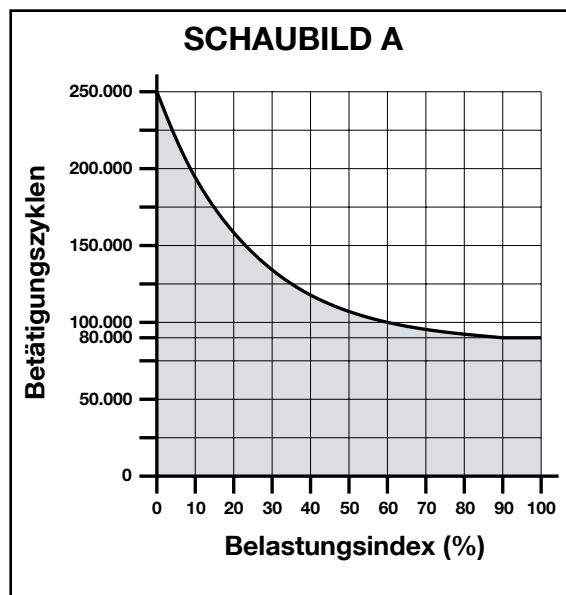
Um die wahrscheinliche Lebensdauer Ihrer Antriebsautomatik zu bestimmen, gehen Sie folgendermaßen vor:

01. Den **Belastungsindex** berechnen, indem Sie die Prozentwerte der in **Tabelle 2** enthaltenen Posten summieren;

02. In **Schaubild A** vom eben gefundenen Wert eine senkrechte Linie ziehen, bis Sie auf die Kurve treffen, danach eine waagrechte Linie ziehen, bis Sie auf die Linie der "Betätigungszyklen" treffen. Der bestimmte Wert stellt die geschätzte Lebensdauer Ihres Produkts dar.

Die Lebensdauerschätzung erfolgt auf der Grundlage der Entwurfsberechnungen und der an Prototypen durchgeführten Tests. Da es sich um eine Schätzung handelt, stellt sie natürlich keine Garantie für die tatsächliche Lebensdauer des Produkts dar.

TABELLE 2				
		Belastungsindex		
		Toona 4	Toona 5	Toona 6-7
Torflügelgewicht:	> 200 kg	10 %	0 %	0 %
	> 300 kg	20 %	10 %	0 %
	> 400 kg	30 %	20 %	10 %
	> 500 kg	-	30 %	20 %
Torflügelgröße:	2 - 3 m	20 %	0 %	0 %
	3 - 4 m	-	10 %	0 %
	4 - 5 m	-	20 %	10 %
	5 - 6 m	-	-	20 %
	6 - 7 m	-	-	30 %
Umgebungstemperatur über 40°C oder unter 0°C oder Feuchtigkeit über 80%		20 %	20 %	20 %
Blinder Torflügel:		15 %	15 %	15 %
Installation in windigem Gebiet:		15 %	15 %	15 %



Beispiel für die Berechnung der Beständigkeit eines Antriebs Toona Serie 5 (auf Tabelle 2 und Schaubild A Bezug nehmen):

- Torflügelgewicht = 350 kg (Belastungsindex = 10%)

- Torflügelgröße = 3,5 m (Belastungsindex = 10%)

- keine weiteren Belastungselemente vorhanden

Belastungsindex insgesamt = 20%

Geschätzte Beständigkeit = 160.000 Betätigungszyklen

DEG-Konformitätserklärung

und Einbauerklärung der „unvollständigen Maschine“

Erklärung in Übereinstimmung der Richtlinien: 2004/108/EG (EMC); 2006/42/EG (MD) Anlage II, Teil B

Hinweis - Der Inhalt dieser Konformitätserklärung entspricht dem in den offiziellen Unterlagen angegebenen, die sich im Firmensitz der Nice S.p.a. befinden, und insbesondere der vor dem Druck dieser Anleitung verfügbaren letzten Revision. Dieser Text wurde aus sprachtechnischen Gründen angepasst. Eine Kopie der Originalerklärung kann bei Nice S.p.a. (TV) I angefordert werden.

Nummer der Erklärung: **288/TO** Überarbeitung: **5** Sprache: **DE**

Herstellername: Nice s.p.a.

Adresse: Via Pezza Alta 13, 31046 Rustignè, Oderzo (TV) Italien

Für die Zusammenstellung der technischen Dokumentation autorisierte Person: Nice s.p.a.

Produkttyp: Elektromechanischer Antrieb Serie „TOONA“

Modell: TO4005, TO4006, TO4015, TO4024, TO4605, TO5015, TO5016, TO5024, TO5605, TO5624, TO7024, TO5024HS, TO6024HS

Zubehör: Kein Zubehör.

Der Unterzeichnende Mauro Sordini erklärt in seiner Funktion als Chief Executive Officer, unter eigener Verantwortung, dass das oben genannte Produkt den Vorschriften der folgenden Richtlinien entspricht:

- RICHTLINIE 2004/108/EG DES EUROPÄISCHEN PARLAMENTS UND RATS vom 15. Dezember 2004 bezüglich der Annäherung der Gesetzgebungen der Mitgliedsstaaten, was die elektromagnetische Verträglichkeit betrifft und die Richtlinie 89/336/EWG aufhebt und zwar gemäß den folgenden harmonisierten Normen: EN 61000-6-2:2005; EN 61000-6-3:2007 + A1:2011.

Außerdem entspricht das Produkt folgender Richtlinie, entsprechend der vorgesehenen Anforderungen für die „unvollständige Maschinen“:

- Richtlinie 2006/42/EG DES EUROPÄISCHEN PARLAMENTS UND DES RATS vom 17. Mai 2006 über die Risikobeurteilung und Risikominderung und zur Änderung der Richtlinie 95/16/EG (Überarbeitung)
 - Hiermit wird erklärt, dass die entsprechenden technischen Unterlagen in Übereinstimmung mit Anlage VII B der Richtlinie 2006/42/EG ausgefüllt wurden und folgende essenzielle Anforderungen eingehalten wurden: 1.1.1 - 1.1.2 - 1.1.3 - 1.2.1 - 1.2.6 - 1.5.1 - 1.5.2 - 1.5.5 - 1.5.6 - 1.5.7 - 1.5.8 - 1.5.10 - 1.5.11.
 - Der Hersteller verpflichtet sich, die Informationen über die „unvollständige Maschine“ auf Nachfrage an die nationalen Behörden weiterzuleiten, wobei die eignen Rechte des geistigen Eigentums beibehalten werden.
 - Wenn die „unvollständige Maschine“ in einem europäischen Land in Betrieb genommen wird, deren offizielle Sprache nicht der in dieser Erklärung entspricht, hat der Importeur die Pflicht, die entsprechende Übersetzung dieser Erklärung beizulegen.
 - Wir weisen darauf hin, dass die „unvollständige Maschine“ nicht in Betrieb genommen werden darf, bis die Endmaschine, in der sie eingebaut wird, für konform erklärt wurde, entsprechend, wenn der Fall, den Vorschriften der Richtlinie 2006/42/EG.

Außerdem entspricht das Produkt folgenden Normen:
EN 60335-1:2012; EN 60335-2-103:2003 + A11:2009.

Das Produkt entspricht, auf die anwendbaren Teile begrenzt, folgenden Normen:
EN 13241-1:2003 + A1:2011; EN 12445:2002; EN 12453:2002; EN 12978:2003 + A1:2009.

Oderzo, 30. Oktober 2014

Ing. Mauro Sordini
(Chief Executive Officer)



Niniejszy produkt jest przeznaczony do automatyzacji bram lub drzwi skrzydłowych, zarówno w warunkach mieszkaniowych jak i przemysłowych. **UWAGA!** – **Jakiegokolwiek użycie inne od wskazanego i w warunkach innych od przedstawionych w tej instrukcji jest niewłaściwe i zabronione!**

Produkt to motoreduktor elektromechaniczny, wyposażony w silnik na prąd stały 24 V lub prąd przemienny 230 V (w zależności od wybranego modelu) i w reduktor ze ślimakiem.

Motoreduktor jest zasilany z zewnętrznej Centrali sterowania, do której musi być podłączony.

W przypadku odcięcia energii elektrycznej (black-out), możliwe jest przesunięcie 'ręczne' skrzydeł bramy odblokowując ręcznie motoreduktor.

rys. 1 przedstawia wszystkie elementy obecne w wyposażeniu (w zależności od wybranego modelu):

- [a] - motoreduktor elektromechaniczny
- [b] - przednia listwa (do zamocowania motoreduktora na skrzydle bramy)
- [c] - tylna listwa i płyta (do zamocowania motoreduktora na ścianie)
- [d] - drobne wyroby metalowe (śruby, podkładki, itd.)
- [e] - klucze do ręcznego odblokowania motoreduktora.

1 OGULNE OSTRZEŻENIA I ŚRODKI BEZPIECZEŃSTWA

Uwagi dotyczące bezpieczeństwa

- **UWAGA!** – Niniejsza instrukcja zawiera ważne wskazówki i ostrzeżenia dla bezpieczeństwa osób.

Niepoprawny montaż może powodować poważne zranienia. Przed rozpoczęciem pracy należy dokładnie przeczytać wszystkie rozdziały instrukcji obsługi. W przypadku wątpliwości, przerwać montaż i zwrócić się po wyjaśnienia do Serwisu Obsługi Klienta Nice.

- **UWAGA!** – Zgodnie z najnowszymi przepisami europejskimi, wykonanie drzwi lub bramy automatycznej musi być zgodne z normami **Dyrektywy 98/37/WE (Dyrektywa Maszynowa)** a w szczególności, z normami EN 12445; EN 12453; EN 12635 i EN 13241-1, które pozwalają na deklarację założonej zgodności automatyzacji. W związku z tym, wszystkie czynności montażowe, podłączeniowe, testujące i konserwacyjne produktu muszą być wykonane przez wykwalifikowanego technika!
- **UWAGA!** – Ważne Wskazania: Instrukcję należy przechowywać dla ewentualnych działań w przyszłości, konserwacji i likwidacji produktu.

Ostrzeżenia do montażu

- Przed rozpoczęciem montażu, sprawdzić czy produkt nadaje się do automatyzacji waszej bramy lub drzwi (patrz rozdział 3 i "Cechy techniczne produktu"). Jeżeli nie nadaje się, NIE instalować.
- Przygotować w sieci zasilającej instalacji, urządzenie wyłączające z odległością otwarcia kontaktów, która pozwoli na całkowite wyłączenie w warunkach przewidzianych przez kategorię nadmiernego napięcia III.
- **wszystkie czynności montażowe i konserwacyjne muszą być wykonywane z automatem odłączonym od zasilania elektrycznego.** Jeżeli urządzenie odcinające zasilanie nie jest widoczne z miejsca, gdzie znajduje się automat, przed rozpoczęciem pracy należy umieścić na urządzeniu odcinającym kartkę z napisem "UWAGA! TRWA KONSERWACJA".
- Podczas montażu należy delikatnie obchodzić się z automatem unikając przygnięcia go, uderzeń, upadków lub kontaktu z jakimikolwiek płynami. Nie zostawiać produktu w pobliżu źródeł ciepła i nie narażać na działanie ognia. Wszystkie te czynności mogą go uszkodzić i spowodować złe działanie lub zagrożenie. Gdy to nastąpi, natychmiast zaprzestać montowanie i zwrócić się do Serwisu Nice.
- Nie wykonywać modyfikacji na żadnej części produktu. Niedozwolone czynności mogą spowodować złe funkcjonowanie. Producent nie ponosi żadnej odpowiedzialności za szkody wynikające z modyfikacji produktu.
- Jeżeli brama lub drzwi do automatyzacji są wyposażone w drzwi przejściowe (dla pieszych), należy wyposażyć instalację w system kontroli, który zahamuje działalność silnika, gdy drzwi przejściowe będą otwarte.
- Sprawdzić, czy nie istnieją miejsca-pułapki w kierunku części stałych, gdy skrzydło bramy znajduje się w pozycji maksymalnego Otwarcia; ewentualnie osłonić takie części.
- Ściennej panel przyciskowy sterowania, musi być umieszczony tak, aby był widoczny automat, daleko od części w ruchu, na wysokości minimalnej 1,5 m od podłoża i niedostępny dla osób postronnych.
- Materiał, w który był zapakowany produkt musi być usunięty zgodnie z lokalnym prawem.

3 MONTAŻ

3.1 - Weryfikacja przed montażem

Przed rozpoczęciem montażu, należy sprawdzić całość elementów produktu, zgodność wybranego modelu i odpowiednie do montażu warunki przestrzenne.

WAŻNE – Motoreduktor nie może automatyzować ręcznej bramy, nie posiadającej pewnej i bezpiecznej konstrukcji mechanicznej. Nie może rozwiązać usterek spowodowanych niepoprawnym montażem bramy lub jej nieodpowiednią konserwacją.

3.2 - Zgodność bramy do automatyzacji i środowiska otaczającego

- Sprawdzić czy struktura mechaniczna bramy nadaje się do automatyzacji zgodnie z prawem obowiązującym na terytorium (ewentualnie odnieść się do danych umieszczonych na etykiecie bramy).
- Poruszając ręcznie skrzydło bramy podczas Otwarcia i Zamknięcia, sprawdzić, czy ruch przebiega z jednakowym tarciem i jednostajnie w każdym punkcie przebiegu (nie mogą istnieć punkty większego nacisku).
- Sprawdzić, czy skrzydło bramy pozostaje w równowadze, czyli nie chwieje się, gdy jest ręcznie poruszane w różny sposób lub pozostawione nieruchomo.
- Sprawdzić, czy wokół motoreduktora znajduje się wystarczająco dużo miejsca na ręczne odblokowanie skrzydeł bramy, w łatwy i bezpieczny sposób.
- Sprawdzić, czy powierzchnie wybrane do montażu produktu są wytrzymałe i gwarantują stabilne zamocowanie.
- Sprawdzić, czy strefa zamocowania motoreduktora odpowiada jego rozmiarom, patrz **rys. 2**: poprawny ruch Otwarcia bramy i siła, którą silnik wykonuje do otwarcia, zależą od pozycji, w której jest zamontowana tylna listwa mocująca. Następnie, przed kontynuacją montażu należy odnieść się do **wykresu 2**, aby określić maksymalny kąt Otwarcia skrzydła i siłę silnika, odpowiadające instalacji.

3.3 - Ograniczenia w zastosowaniu produktu

Przed wykonaniem montażu produktu sprawdzić, czy skrzydło bramy posiada rozmiary i ciężar mieszczące się w limitach przedstawionych na **wykresie 1**.

3.4 - Prace przygotowania do montażu

Rys. 3 przedstawia przykład instalacji automatyzacji zrealizowanej przy pomocy elementów **Nice**. Elementy są umieszczone na podstawie typowego schematu.

Odnośząc się do **rys. 3**, ustalić pozycję, w której zostanie zamontowany każdy z komponentów przewidzianych w instalacji i schemat podłączenia.

Elementy do realizacji kompletnej instalacji (rys. 3):

- 1 - Motoreduktory elektromechaniczne
- 2 - Dwie fotokomórki
- 3 - Dwa ograniczniki ruchu (w Otwarciu)
- 4 - Kolumny na fotokomórki
- 5 - Migający wskaźnik z wbudowaną anteną
- 6 - Przełącznik na klucz lub klawiatura cyfrowa
- 7 - Elektrozamek pionowy (tylko dla modeli odwracalnych)
- 8 - Centrala sterownicza

3.5 - Montaż listew mocujących i motoreduktora

3.5.1 – Montaż tylnej listwy mocującej

Obliczyć pozycję tylnej listwy używając **schematu 2**.

Schemat służy do określenia **wysokości A i B** oraz **wartości maksymalnego kąta otwarcia** skrzydła. **Ważne – Wartości A i B muszą być podobne, aby pozwolić na linearny ruch automatu.**

01. Zmierzyć na ścianie mocowania wartość **wysokości C** (rys. 4);

02. Na **schemacie 2**, wyznaczyć znaną **wysokość C** i, zaznaczyć **poziomą linię**, która wskazuje wartość **wysokości B(*)**, jak w przykładzie na **rys. 5**; punkt skrzyżowania z linią **„z.l.m.”** (zalecana linia montażu) wyznacza wartość maksymalnego kąta otwarcia. Z tego punktu zaznaczyć **poziomą linię** jak w przykładzie na **rys. 5**, aby wyznaczyć wartość **wysokości A**.

Jeżeli znaleziony kąt nie odpowiada wymaganiom, należy dostosować wysokość A i ewentualnie wysokość B, tak aby były podobne.

(*) Zaleca się nie używać wartości wysokości B pod linią „t” (patrz Schemat 2).

03. Listwa, przed umocowaniem na murze musi być przyspawana do konkretnej płyty mocującej (**rys. 7**); Jeżeli wystąpi konieczność listwę można uciąć przystosowując ją do wartości wysokości A i B.

Adnotacja – Listwa w wyposażeniu motoreduktora Toona seria 4-5, mierzy 150 mm długości; w przypadku szczególnych aplikacji lub bramy wyposażonej w skrzydła otwierające się na zewnątrz (**rys. 6**) możliwe jest użycie listwy mod. PLA6 (dodatek).

UWAGA! – przed zamocowaniem tylnej listwy, sprawdzić, czy **strefa mocowania przedniej listwy znajduje się w solidnej części skrzydła, ponieważ ta listwa będzie musiała być zamontowana na innej wysokości od tylnej listwy (rys.8).**

04. W tym momencie, zamocować listwę za pomocą kołków, śrub i podkładek (nie w wyposażeniu).

3.5.2 – Montaż przedniej listwy mocującej

Przednia listwa musi być zamocowana na skrzydle bramy przestrzegając wartości **wysokości D i E** (**rys. 4**).

Adnotacja – Listwa w wyposażeniu motoreduktora Toona seria 4-5, musi być bezpośrednio przyspawana do skrzydła bramy. Jeżeli nie jest to możliwe, użyć listwy mod. PLA6 (dodatek).

01. Określić wartość **wysokości E** za pomocą **Tabeli 1**;

02. Określić wysokość, na której zostanie umieszczona przednia listwa, odnosząc się do **rys. 8**;

03. Następnie zamocować listwę na solidnej części skrzydła bramy.

3.5.3 – Montaż motoreduktora na listwach mocujących

• Montaż reduktora na tylnej listwie:

01. Zamocować motoreduktor na listwie jak wskazano na **rys. 9** używając śruby, podkładki i nakrętki znajdujących się w wyposażeniu;

02. Całkowicie dokręcić nakrętkę, a następnie rozkręcić na około 1/10 obrotu pozwalając na minimalny luz pomiędzy elementami.

• Montaż motoreduktora na przedniej listwie:

01. Zamocować motoreduktor na listwie jak wskazano na **rys. 10** używając śruby, podkładki i nakrętki znajdujących się w wyposażeniu;

02. Całkowicie dokręcić nakrętkę;

03. Przymocować na stałe w pobliżu motoreduktora tabliczkę, znajdującą się w opakowaniu odnoszącą się do czynności ręcznego zablokowania i odblokowania motoreduktora.

3.6 - Regulacja mechanicznego wyłącznika krańcowego

Mechaniczny wyłącznik krańcowy, pozwala na regulację pozycji zatrzymania skrzydła bramy; w ten sposób, nie ma konieczności użycia ograniczników zatrzymania i skrzydło na końcu manewru w nie uderza w nie.

• Toona seria 4-5 (24 V)

UWAGA – W przypadku aplikacji na bramie wyposażonej w skrzydła otwierające się na zewnątrz (**rys. 6**) należy zamienić przewody zasilający sposób:

01. Odblokować motoreduktor jak na **rys. 16**;

02. Poluzować śrubę ogranicznika mechanicznego;

03. Przesunąć ręcznie skrzydło bramy do żądanej pozycji Otwarcia;

04. Następnie, przesunąć mechaniczny ogranicznik dotykając sworzeń i zablokować śrubę (**rys. 11**);

05. Ręcznie przesunąć skrzydło do pozycji Zamknięcia i zablokować motoreduktor.

Adnotacja – Motoreduktory mod. TO4006 i mod. TO5016, są wyposażone w mechaniczne wyłączniki krańcowe również dla manewru Zamknięcia. Jeżeli jest się w posiadaniu jednego z tych modeli, do regulacji mechanicznego wyłącznika krańcowego należy powtórzyć wyżej opisaną procedurę, ze zmianą w **punkcie 03**: w tym wypadku, należy ręcznie przesunąć skrzydło bramy do żądanej pozycji Zamknięcia.

• Toona seria 4-5 (230 V)

Motoreduktory Toona seria 4-5 przystosowane do prądu przemiennego 230 V, są wyposażone w mechaniczny ogranicznik z mikrowyłącznikiem, który w kontakcie ze stworzeniem odcina zasilanie elektryczne. **UWAGA** – W przy-

TABELA 1

	Toona 4					Toona 5					Toona 6-7
	TO4005	TO4006	TO4015	TO4605	TO4024	TO5015	TO5016	TO5605	TO5024 TO5024HS	TO5024I	
D (mm):	730	695	730	730	730	880	845	880	880	880	1070
A (mm)	E (mm)					E (mm)					E (mm)
100	630	595	630	630	630	780	745	780	780	780	
110	620	585	620	620	620	770	735	770	770	770	
120	610	575	610	610	610	760	725	760	760	760	
130	600	565	600	600	600	750	715	750	750	750	
140	590	555	590	590	590	740	705	740	740	740	
150	580	545	580	580	580	730	695	730	730	730	
160	570	535	570	570	570	720	685	720	720	720	
170	560	525	560	560	560	710	675	710	710	710	
180	550	515	550	550	550	700	665	700	700	700	890
190	540	505	540	540	540	690	655	690	690	690	880
200	530	495	530	530	530	680	645	680	680	680	870
210	520	485	530	530	530	670	635	670	670	670	860
220						660	625	660	660	660	850
230						650	615	650	650	650	840
240						640	605	640	640	640	830
250						630	595	630	630	630	820
260						620	585	620	620	620	810
270						610	575	610	610	610	800
280						600	565	600	600	600	790

padku aplikacji na bramie wyposażonej w skrzydła otwierające się na zewnątrz (rys. 6) należy zamienić przewody zasilające.

• Toona seria 6-7

Regulacja **wyłącznika krańcowego Otwarcia i Zamknięcia** motoreduktora:

01. Odblokować motoreduktor jak na **rys. 16**;
02. Poruszyć ręcznie skrzydło do momentu, gdy śruba ogranicznika mechanicznego jest widoczna, poluzować samą śrubę;
03. Przesunąć ręcznie skrzydło bramy do żądanej pozycji Otwarcia;
04. Następnie, przesunąć mechaniczny ogranicznik, aby dotknął stworzenia i zablokować śrubę (**rys. 12**);
05. W tym momencie, powtórzyć procedurę przesuwając ręcznie skrzydło do maksymalnej pozycji Zamknięcia, aby wyregulować wyłącznik krańcowy Zamknięcia;
06. Na koniec, zablokować motoreduktor.

4 PODŁĄCZENIA ELEKTRYCZNE

UWAGA!

- **Niepoprawne podłączenie elektryczne może prowokować usterki lub zagrożenia; dlatego, należy dokładnie śledzić wskazania przy wykonywaniu tych podłączeń.**
- **Czynności podłączeń elektrycznych należy wykonywać przy odciętych zasilaniu elektrycznym.**

Aby podłączyć motoreduktor do Centrali sterowniczej, postępować następująco:

01. Zdjąć pokrywę z motoreduktora jak przedstawiono na **rys. 13**;
02. Poluzować przewód przeprowadzający motoreduktora i włożyć do niego kable podłączenia (**rys. 14**);
03. Podłączyć różne przewody i przewód uziemiający, dokładnie, jak przedstawiono na schemacie elektrycznym na **rys. 15**;
04. Nałożyć pokrywę na motoreduktor.

Aby dokonać kontroli podłączeń, kierunku obrotu silnika, Przesunięcia fazowego ruchu skrzydeł i regulacji wyłącznika krańcowego, odnieść się do instrukcji obsługi Centrali sterowniczej.

WAŻNE – W przypadku bramy ustawionej na otwarcie na zewnątrz, należy zamienić przewody zasilające w stosunku do instalacji standardowej.

5 PRÓBA TECHNICZNA AUTOMATU

Jest to najważniejsza faza w realizacji automatyzacji wykonywana w celu zagwarantowania maksymalnego bezpieczeństwa. Próba techniczna może być również wykonywana jako okresowe sprawdzenie urządzeń, które wchodzi w skład automatu.

Próba techniczna całej instalacji musi być wykonywana przez wykwalifikowany personel, który musi wykonać żądane próby, pod względem ryzyka i sprawdzić przestrzeganie obowiązujących praw, normatyw i regulacji, a w szczególności wszystkich wymogów normatywy EN12445, która ustala metody próby do sprawdzenia automatów do bram.

Próba techniczna

Każdy element automatu, np. "czułe krawędzie", fotokomórki, zatrzymanie awaryjne, itd. wymaga specyficznej fazy próby technicznej; dla tych urządzeń należy przeprowadzić procedury wskazane w odpowiadających instrukcjach obsługi. Do przeprowadzenia próby technicznej motoreduktora należy wykonać następujące czynności:

01. Sprawdzić, czy przestrzegano wszystkich zasad wymienionych w instrukcji obsługi a szczególnie tych z rozdziału 1;
02. Odblokować motoreduktor jak na **rys. 16**;
03. Sprawdzić, czy jest możliwe ręczne przesunięcie skrzydła w otwarcie i w zamknięcie z siłą wyższą niż 390 N (około 40 kg);
04. Zablokować motoreduktor i podłączyć zasilanie elektryczne;
05. Używając urządzeń sterujących lub zatrzymujących (przełącznik na klucz, przyciski sterujące lub przekaźniki radiowe), wykonać próbę otwarcia, zamknięcia i zatrzymania bramy i sprawdzić czy funkcjonowanie odpowiada przewidzianemu;
06. Sprawdzić po kolei poprawne działanie wszystkich urządzeń bezpieczeństwa obecnych w instalacji (fotokomórki, "czułe brzegi", zatrzymanie awaryjne, itp.); oraz sprawdzić, czy funkcjonowanie bramy odpowiada przewidzianemu;
07. Zlecić manewr zamknięcia i sprawdzić siłę uderzenia skrzydła w ogranicznik mechanicznego wyłącznika krańcowego. Jeżeli wystąpi konieczność, spróbować rozładować nacisk, i znaleźć regulację, która da lepsze rezultaty;

08. Jeżeli niebezpieczne sytuacje powodowane ruchem skrzydła zostały wyeliminowane za pomocą ograniczenia siły uderzenia należy dokonać pomiaru siły według normatywy EN 12445;

Adnotacja – Motoreduktor nie jest wyposażony w urządzenia regulacyjne momentu, czyli takie regulacje są powierzone Centralce sterowniczej.

Wprowadzenie do użytku

Wprowadzenie do użytku może nastąpić tylko po wykonaniu wszystkich faz próby technicznej motoreduktora, zakończonych pozytywnie i innych obecnych urządzeń. Aby wykonać wprowadzenie do użytku odnieść się do instrukcji obsługi Centrali sterowniczej.

WAŻNE – Zabrania się częściowego uruchamiania lub w sytuacjach "prowizorycznych".

6 KONSERWACJA PRODUKTU

Aby zachować stały poziom bezpieczeństwa i zagwarantować maksymalną trwałość automatu należy wykonywać regularną konserwację.

Konserwacja musi być wykonywana zgodnie z zaleceniami instrukcji obsługi dotyczącymi bezpieczeństwa i na podstawie obowiązujących przepisów i normatyw. Dla motoreduktora konieczna jest konserwacja zaprogramowana na maksymalny okres do 6 miesięcy.

Czynności konserwacyjne:

01. Odciąć wszystkie źródła zasilania elektrycznego.
02. Sprawdzić stan zużycia wszystkich materiałów wchodzących w skład automatu ze szczególną uwagą na erozję lub utlenienie części konstrukcji; zastąpić elementy nie przedstawiające wystarczającej gwarancji.
03. Sprawdzić czy połączenia na śruby są odpowiednio dociśnięte.
04. Sprawdzić czy spirala i ślimak są odpowiednio nasmarowane.
05. Sprawdzić stan zużycia ruchomych części i ewentualnie zastąpić zużyte.
06. Ponownie podłączyć źródła zasilania elektrycznego i wykonać wszystkie próby przedstawione w rozdziale 5.

Dla innych urządzeń obecnych w instalacji odnieść się do konkretnych instrukcji obsługi.

LIKwidACJA PRODUKTU

Ten produkt jest częścią integracyjną automatu i dlatego, musi być zlikwidowany razem z nim.

Tak jak przy czynnościach montażowych, zarówno po zużyciu produktu, czynności eliminacji muszą być wykonane przez wykwalifikowany personel.

Produkt składa się z różnych materiałów: niektóre mogą być odzyskiwane, inne muszą być zlikwidowane. Dowiedzcie się o systemach odzyskiwania lub likwidacji przewidzianych w prawie obowiązującym na waszym terytorium, dla tej kategorii produktu.

Uwaga! – niektóre części produktu mogą zawierać substancje zanieczyszczające lub niebezpieczne, które rozproszone, mogłyby zagrażać środowisku naturalnemu i ludzkiemu zdrowiu.

Jak wskazuje symbol obok, zabrania się wyrzucania produktu do odpadów domowych. Należy wykonać "selektywną zbiórkę odpadów" dla likwidacji, zgodnie z metodami przewidzianymi przepisami obowiązującymi na waszym terytorium lub oddać produkt sprzedawcy w momencie zakupu nowego równoważnego produktu.



Uwaga! – przepisy obowiązujące na poziomie lokalnym mogą przewidywać poważne kary w przypadku nielegalnej likwidacji tego produktu.

CECHY TECHNICZNE PRODUKTU

OSTRZEŻENIE: • Wszystkie przytoczone cechy techniczne, odnoszą się do temperatury otoczenia 20°C (± 5°C). • Nice S.p.a. zastrzega sobie prawo do wprowadzenia zmian w każdym momencie, gdy uzna za konieczne, zachowując tą sama funkcjonalność i użycie.

Toona seria 4

	TO4005	TO4006	TO4015	TO4605	TO4024
Typ	motoreduktor elektromechaniczny do bram i drzwi skrzydłowych				
Zasilanie	230 Vac 50 Hz	230 Vac 50 Hz	230 Vac 50 Hz	230 Vac 50 Hz	24 Vdc
Pobór maksymalny	1,5 A	1,5 A	1,5 A	1,3 A	5 A
Pobór znamionowy	1 A	1 A	1 A	0,9 A	2 A
Moc maks. pobrana	340 W	340 W	340 W	300 W	120 W
Moc znamionowa pobrana	180 W	180 W	180 W	160 W	48 W
Kondensator wbudowany	7 µF	7 µF	7 µF	7 µF	-
Stopień ochrony	IP 44	IP 44	IP 44	IP 44	IP 44
Przebieg	385 mm	350 mm	385 mm	385 mm	385 mm
Prędkość bez obciążenia	0,016 m/s	0,016 m/s	0,013 m/s	0,016 m/s	0,016 m/s
Prędkość z obciążeniem	0,012 m/s	0,012 m/s	0,010 m/s	0,012 m/s	0,012 m/s
Siła maksymalna	1800 N	1800 N	1800 N	1800 N	1800 N
Siła znamionowa	600 N	600 N	600 N	600 N	600 N
Temperatura funkcjonowania	od -20 °C do +50 °C	od -20 °C do +50 °C	od -20 °C do +50 °C	od -20 °C do +50 °C	od -20 °C a +50 °C
Zabezpieczenie termiczne	140 °C	140 °C	140 °C	140 °C	-
Cykle godzinowe przy sile znamionowej	58	58	54	50	95
Trwałość	szacowana na ok 80.000 i 250.000 cykli manewrów, według warunków przedst. W Tabeli 2				
Klasa izolacji	F	F	F	F	F
Rozmiary (mm)	820 x 115 x 105 h	820 x 115 x 105 h	820 x 115 x 105 h	820 x 115 x 105 h	820 x 115 x 105 h
Ciężar	6 kg	6 kg	6 kg	6 kg	6 kg

Toona seria 5

	TO5015	TO5016	TO5605	TO5024	TO5024I	TO5024HS
Typ	motoreduktor elektromechaniczny do bram i drzwi skrzydłowych					
Zasilanie	230 Vac 50 Hz	230 Vac 50 Hz	230 Vac 50 Hz	24 Vdc	24 Vdc	24 Vdc
Pobór maksymalny	1,5 A	1,5 A	1,3 A	5 A	5 A	5 A
Pobór znamionowy	1 A	1 A	0,9 A	2,2 A	2,2 A	2,5 A
Moc maksymalna pobrana	340 W	340 W	300 W	120 W	120 W	120 W
Moc znamionowa pobrana	180 W	180 W	160 W	48 W	60 W	60 W
Kondensator wbudowany	7 µF	7 µF	7 µF	-	-	-
Stopień ochrony	IP 44	IP 44	IP 44	IP 44	IP 44	IP 44
Przebieg	540 mm	505 mm	540 mm	540 mm	540 mm	505 mm
Prędkość bez ładunku	0,013 m/s	0,013 m/s	0,016 m/s	0,016 m/s	0,013 m/s	0,025 m/s
Prędkość z ładunkiem	0,010 m/s	0,010 m/s	0,012 m/s	0,012 m/s	0,010 m/s	0,018 m/s
Siła maksymalna	1800 N	1800 N	1800 N	1800 N	2200 N	1800 N
Siła znamionowa	600 N	600 N	600 N	600 N	800 N	600 N
Temperatura funkcjonowania	od -20°C a +50°C					
Zabezpieczenie termiczne	140 °C	140 °C	140 °C	-	-	-
Cykle godzinowe przy sile znamionowej	54	54	50	95	75	75
Trwałość	szacowana na ok 80.000 i 250.000 cykli manewrów, według warunków przedst. W Tabeli 2					
Klasa izolacji	F					
Rozmiary (mm)	965 x 115 x 105 h					
Ciężar	7 kg	7 kg	7 kg	7 kg	8 kg	7,5 kg

Toona seria 6-7

	TO6024HS	TO7024
Typ	motoreduktor elektromechaniczny do bram i drzwi skrzydłowych	
Zasilanie	24 Vdc	24 Vdc
Pobór maksymalny	5 A	5 A
Pobór znamionowy	2,5 A	2,5 A
Moc maksymalna pobrana	120 W	120 W
Moc minimalna pobrana	60 W	60 W
Stopień ochrony	IP 44	IP 44
Przebieg	584 mm	584 mm
Prędkość bez obciążenia	0,016 m/s	0,013 m/s
Siła maksymalna	2200 N	2700 N
Siła znamionowa	1200 N	1400 N
Temperatura funkcjonowania	da -20 °C a +50 °C	da -20 °C a +50 °C
Cykle godzinowe przy sile znamionowej	41	41
Trwałość	szacowana na ok 80.000 i 250.000 cykli manewrów, wg. war. przedst. w Tabeli 2	
Klasa izolacji	F	F
Rozmiary (mm)	1200 x 128 x 150 h	1200 x 128 x 150 h
Ciężar	15 kg	15 kg

Trwałość produktu

Trwałość to średni okres żywotności produktu. Wartość trwałości jest zależna od wskaźnika uciążliwości manewrów wykonanych przez automat: czyli sumą wszystkich czynników składających się na zużycie produktu (patrz Tabela 2).

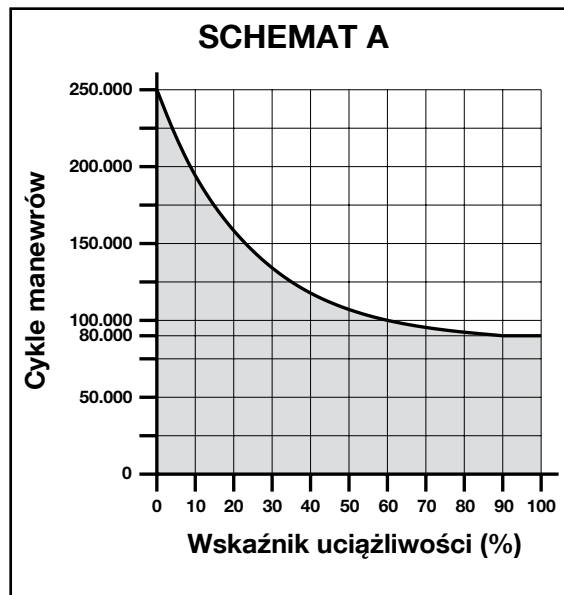
Aby ustalić możliwą trwałość waszego automatu należy postępować w następujący sposób:

01. Obliczyć wskaźnik uciążliwości dodając wartości w procentach znajdujące się w **Tabeli 2**;

02. W **Schemacie A** od otrzymanej wartości, zaznaczyć pionową linię, aż do skrzyżowania krzywej; z tego punktu zaznaczyć linię pionową, aż do skrzyżowania linii "cykle manewrów". Otrzymana wartość jest szacowaną trwałością waszego produktu.

Szacowanie trwałości jest wykonywane na podstawie obliczeń projektowych i wyników prób przeprowadzonych na prototypach. Będąc wartością szacunkową, nie gwarantuje rzeczywistej trwałości produktu.

		TABELA 2		
		Wskaźnik uciążliwości		
		Toona 4	Toona 5	Toona 6-7
Ciężar skrzydła:	> 200 kg	10 %	0 %	0 %
	> 300 kg	20 %	10 %	0 %
	> 400 kg	30 %	20 %	10 %
	> 500 kg	-	30 %	20 %
Długość skrzydła:	2 - 3 m	20 %	0 %	0 %
	3 - 4 m	-	10 %	0 %
	4 - 5 m	-	20 %	10 %
	5 - 6 m	-	-	20 %
	6 - 7 m	-	-	30 %
Temperatura otoczenia wyższa od 40°C lub niższa od 0°C, lub wilgotno wyższa od 80%		20 %	20 %	20 %
Ślepe skrzydło:		15 %	15 %	15 %
Montaż w strefie wietrznej:		15 %	15 %	15 %



Przykład obliczania trwałości motoreduktora Toona seria 5 (Odnieść się do Tabeli 2 i do schematu A):

- ciężar skrzydła = 350 kg (wskaźnik uciążliwości = 10%)
- długość skrzydła = 3,5 m (wskaźnik uciążliwości = 10%)
- brak innych elementów zużycia

Całkowity wskaźnik uciążliwości = 20%

Szacowana trwałość = 160.000 cykli manewru

Deklaracja zgodności CE

i deklaracja włączenia maszyny nieukończonej

Deklaracja zgodna z Dyrektywami: 2004/108/WE (EMC); 2006/42/WE (MD) załącznik II, część B

Uwaga - Zawartość niniejszej deklaracji zgodności odpowiada oświadczeniom znajdującym się w oficjalnym dokumencie złożonym w siedzibie firmy Nice S.p.a., w szczególności ostatnim zmianom dostępnym przed wydrukowaniem niniejszej instrukcji. Niniejszy tekst został dostosowany w celach wydawniczych. Kopię oryginalnej deklaracji można uzyskać w siedzibie spółki Nice S.p.a. (TV) I.

Numer deklaracji: **288/TO**

Wydanie: **5**

Język: **PL**

Nazwa producenta: Nice s.p.a.

Adres: Via Pezza Alta N°13, 31046 Rustignè di Oderzo (TV) Italy

Osoba upoważniona do sporządzenia dokumentacji technicznej: Nice s.p.a.

Typ produktu: Motoreduktor elektromechaniczny serii „TOONA”

Model: TO4005, TO4006, TO4015, TO4024, TO4605, TO5015, TO5016, TO5024, TO5605, TO5624, TO7024, TO5024HS, TO6024HS

Urządzenia dodatkowe: Nie urządzenia.

Ja, niżej podpisany Mauro Sordini jako Chief Executive Officer, oświadczam na własną odpowiedzialność, że wyżej wymieniony produkt jest zgodny z następującymi dyrektywami:

- Dyrektywa PARLAMENTU EUROPEJSKIEGO I RADY NR 2004/108/WE z dnia 15 grudnia 2004 roku w sprawie ujednoczenia prawodawstwa państw członkowskich w zakresie kompatybilności elektromagnetycznej, znosząca dyrektywę 89/336/ EWG, zgodnie z następującymi normami zharmonizowanymi: EN 61000-6-2:2005; EN 61000-6-3:2007 + A1:2011.

Ponadto, produkt jest zgodny z następującą dyrektywą w zakresie wymagań dotyczących maszyn nieukończonych:

- Dyrektywa PARLAMENTU EUROPEJSKIEGO I RADY NR 2006/42/WE z dnia 17 maja 2006 r. dotycząca maszyn, zmieniająca dyrektywę 95/16/WE (przekształcenie)
 - Niżej podpisany deklaruje, że stosowna dokumentacja techniczna została sporządzona zgodnie z załącznikiem VII B dyrektywy 2006/42/WE oraz, że spełnione zostały następujące wymagania podstawowe: 1.1.1 - 1.1.2 - 1.1.3 - 1.2.1 - 1.2.6 - 1.5.1 - 1.5.2 - 1.5.5 - 1.5.6 - 1.5.7 - 1.5.8 - 1.5.10 - 1.5.11.
 - Producent zobowiązuje się do przekazania władzom krajowym, w odpowiedzi na uzasadnione zapytanie, informacji dotyczących maszyny nieukończonej, zachowując całkowicie swoje prawa do własności intelektualnej.
 - Jeżeli maszyna nieukończona oddana zostanie do eksploatacji w kraju europejskim, którego język urzędowy jest inny niż język niniejszej deklaracji, importer ma obowiązek dołączyć do niniejszej deklaracji stosowne tłumaczenie.
 - Ostrzegamy, że maszyny nieukończonej nie należy uruchamiać do czasu, kiedy maszyna końcowa, do której zostanie włączona, nie uzyska deklaracji zgodności (jeżeli wymagana) z założeniami dyrektywy 2006/42/WE.

Ponadto produkt jest zgodny z następującymi normami:
EN 60335-1:2012; EN 60335-2-103:2003 + A11:2009.

Produkt jest zgodny z następującymi normami (w zakresie mających zastosowanie części):
EN 13241-1:2003 + A1:2011; EN 12445:2002; EN 12453:2002; EN 12978:2003 + A1:2009.

Oderzo, 30 październik 2014

Inż. Mauro Sordini
(Chief Executive Officer)



1 ALGEMENE AANWIJZINGEN EN VOORZORGS- MAATREGELEN VOOR DE VEILIGHEID

Aanwijzingen voor de veiligheid

- **OPGEPAST!** – De onderhavige handleiding bevat belangrijke instructies en aanwijzingen voor de veiligheid van de personen. Een verkeerde installatie kan zware letsels veroorzaken. Alvorens met het werk te beginnen is het noodzakelijk aandachtig de volledige handleiding te lezen. In geval van twijfels, moeten de installatiewerkzaamheden onderbroken worden en moet aan de Technische Dienst van de firma Nice verduidelijkingen gevraagd worden.
- **OPGEPAST!** – Volgens de meest recente Europese wetgeving, moeten voor de realisatie van een automatische deur of hekwerk de normen in acht genomen worden, voorzien door de Richtlijn 98/37/CE (Machinerichtlijn) en in het bijzonder, de normen EN 12445; EN 12453; EN 12635 en EN 13241-1, die de verklaring van de vermoedelijke conformiteit van de automatisering toelaten. Dit beschouwend, mogen alle installatie- en onderhoudswerkzaamheden, aansluiting- en testwerkzaamheden van het product enkel uitgevoerd worden door een bevoegd en opgeleid technicus!
- **OPGEPAST!** – Belangrijke instructies: deze handleiding moet bewaard worden voor eventuele toekomstige onderhoudsingrepen en verwijdering van het product.

Aanwijzingen voor de installatie

- Alvorens met de installatie te beginnen, moet gecontroleerd worden of het onderhavige product geschikt is om uw hekwerk of poort te automatiseren (zie hoofdstuk 3 en de "Technische kenmerken van het product"). Indien het niet geschikt is, mag u het NIET installeren.
- Voorzie in het voedingsnet van de installatie een inrichting voor ont koppeling, met een openingsafstand van de contacten die een volledige ont koppeling toelaat, in de condities voorgeschreven door de categorie overspanning III.
- **Alle installatie- en onderhoudswerkzaamheden moeten uitgevoerd worden met de automatisering ont koppeld van het elektrisch voedingsnet.** Indien de inrichting voor ont koppeling van de voeding niet zichtbaar is vanuit de plaats waar de automatisering werd geplaatst, is het noodzakelijk vooraleer met het werk te beginnen, op de inrichting een bord te hangen met het opschrift "OPGEPAST! ONDERHOUD IN UITVOERING".
- Gedurende de installatie moet de automatisering met zorg behandeld worden. Verplettering, botsingen, vallen of contact met vloeistoffen van om het even welke aard, moeten vermeden worden. Plaats het product niet in de nabijheid van warmtebronnen, stel het niet bloot aan vrije vlammen. Deze handelingen zouden tot schade kunnen leiden en de oorzaak kunnen zijn van defecten of gevaarlijke situaties. Zou een van deze omstandigheden zich toch voordoen, moet de installatie onmiddellijk onderbroken worden en moet u zich wenden tot de Technische Dienst van de firma Nice.
- Voer op geen enkel deel van het product wijzigingen uit. Niet toegestane handelingen kunnen enkel defecten veroorzaken. De fabrikant slaat elke verantwoordelijkheid af voor schade afgeleid uit willekeurige wijzigingen van het product.
- Indien het hek of de poort, die dient geautomatiseerd te worden, voorzien is van een loopdeur, moet de installatie voorzien worden van een controlesysteem dat de werking van de motor belet wanneer de loopdeur open is.
- Controleer, wanneer de loopdeur van het hek zich in de maximale Openingsstand bevindt, of er geen mogelijke vastklemmingspunten met vaste onderdelen zijn; bescherm eventueel deze delen.
- Het wandtoetsenbord voor de besturing moet op een plaats geïnstalleerd worden waar de automatisering kan gezien worden, op een goede afstand van de bewegende onderdelen, op een minimum hoogte van 1,5 m van de grond en niet toegankelijk voor het publiek.
- Het materiaal van de productverpakking moet verwijderd worden met inachtneming van de plaatselijke normen.

De reductiemotor wordt gevoed door de externe besturingseenheid waarmee hij moet verbonden zijn.

In geval van onderbreking van de elektrische energie (black-out), is het mogelijk 'met de hand' de deurpanelen van het hek te verplaatsen door de reductiemotor manueel te deblokken.

De **afb. 1** duidt alle componenten aan aanwezig in de verpakking (naargelang het gekozen model):

- [a] - elektromechanische reductiemotor
- [b] - voorste beugel (voor bevestiging van de reductiemotor aan de draaivleugel van het hekwerk)
- [c] - achterste beugel en plaat (voor bevestiging van de reductiemotor aan de muur)
- [d] - metalen schroeven, afdichtingringen enz.
- [e] - sleutels voor de manuele blokkering van de reductiemotor

3 INSTALLATIE

3.1 - Controles voor de installatie

Alvorens met de installatie te beginnen, is het noodzakelijk te controleren of de onderdelen van het product intact zijn, of het gekozen model geschikt is en of de omgeving waarin het product moet geïnstalleerd worden gepast is.

BELANGRIJK – De reductiemotor kan geen manueel hekwerk automatiseren, dat niet over een functionele en veilige mechanische structuur beschikt. Bovendien kan hij de defecten niet oplossen, veroorzaakt door een verkeerde installatie of een slecht onderhoud van het hek.

3.2 - Geschiktheid van het te automatiseren hekwerk en van de omliggende omgeving.

- Controleer of de mechanische structuur van het hekwerk geschikt is om geautomatiseerd te worden en conform is met de van kracht zijnde normen van het land van gebruik (raadpleeg eventueel de gegevens op de label van het hekwerk).
- Door de draaivleugel van het hek manueel te Openen en te Sluiten, kunt u controleren of de verplaatsing met gelijke en constante wrijving gebeurt in elk punt van de slag (er mogen geen momenten van grotere inspanning zijn).
- Controleer of de draaivleugel van het hekwerk in evenwicht blijft, m.a.w. dat het niet beweegt wanneer het handmatig in om het even welke stand wordt geplaatst en los gelaten wordt.
- Controleer of de ruimte rond de reductiemotor toelaat de draaivleugel van het hek manueel op eenvoudige en veilige wijze te deblokken.
- Controleer of de oppervlakken gekozen voor de installatie van het product bestendig zijn en een stabiele bevestiging garanderen.
- Controleer of de zone voor bevestiging van de reductiemotor overeenkomstig is met zijn ruimtebeslag, zie **afb. 2**: de correcte verplaatsing voor de Opening van het hekwerk en de kracht die de motor uitoefent om de verplaatsing uit te voeren, zijn afhankelijk van de stand waarin de achterste bevestigingsbeugel wordt bevestigd. Vooraleer de installatie uit te voeren, is het dus noodzakelijk de **grafiek 2** raad te plegen om de maximale openingshoek van de draaivleugel en de motorkracht te bepalen, geschikt voor uw installatie.

3.3 - Gebruikslimieten van het product

Alvorens de installatie van het product uit te voeren, moet gecontroleerd worden of de afmetingen en het gewicht van de draaivleugel van het hekwerk binnen de limieten vallen, aangeduid in de **grafiek 1**.

3.4 - Voorbereidingswerkzaamheden voor de installatie

De **afb. 3** laat een voorbeeld zien van een automatiseringsinstallatie gerealiseerd met **Nice** componenten. Deze componenten zijn geplaatst volgens een typisch en gebruikelijk schema.

Raadpleeg **afb. 3** om de approximatieve stand te bepalen waarin elke component van de installatie zal geïnstalleerd worden en vind het meest gepaste verbindingsschema.

Componenten voor de realisatie van een volledige installatie (afb. 3):

- 1 - Elektromechanische reductiemotors
- 2 - Koppel fotocellen
- 3 - Koppel hekstoppers (in Opening)
- 4 - Kolommen voor fotocellen
- 5 - Flitslamp met ingebouwde antenne
- 6 - Sleutelschakelaar of digitaal toetsenbord
- 7 - Verticaal elektrisch slot (enkel voor omkeerbare modellen)
- 8 - Besturingseenheid

3.5 - Installatie van de bevestigingsbeugels en van de reductiemotor

3.5.1 – Installatie van de achterste bevestigingsbeugel

Bereken de stand van de achterste bevestigingsbeugel d.m.v. de **grafiek 2**.

2 BESCHRIJVING VAN HET PRODUCT EN BESTEMD GEBRUIK

Het onderhavige product is bestemd om gebruikt te worden voor de automatisering van hekken en poorten met draaivleugel, zowel voor residentieel als voor industrieel gebruik. **OPGEPAST!** – Elk andersoortig gebruik en in omgevingscondities verschillend van de omstandigheden beschreven in deze handleiding, moet als oneigen en verboden beschouwd worden!

Het product is een elektromechanische reductiemotor, voorzien van een motor met continuïteit van 24 V of met wisselstroom van 230 V (naargelang het gekozen model) en een reductor met wormschroef.

Deze grafiek dient om de afmetingen A en B te bepalen en de waarde van de maximale openingshoek van het paneel. **Belangrijk – De waarden A en B moeten gelijkwaardig zijn om een lineaire verplaatsing van de automatisering toe te laten.**

01. Meet op de bevestigingswand de waarde van de afmeting C (afb. 4);
02. Zoek op de grafiek 2, de afmeting C en trek een horizontale lijn, die de waarde van de afmeting B(*) bepaalt, zoals getoond in het voorbeeld van afb. 5; het kruispunt met de lijn "r.i.l." (aangeraden installatielij) bepaalt de waarde van de maximale openingshoek. Trek vanuit dit punt een verticale lijn, zoals aangeduid in het voorbeeld in afb. 5 om de waarde van de afmeting A te bepalen.

Indien de gevonden hoek niet in overeenstemming is met uw vereisten, moet de afmeting A en eventueel de afmeting B aangepast worden, zodat ze gelijkwaardig zijn.

(*) Wij adviseren geen waarden te gebruiken voor de afmeting B kleiner dan de "t" lijn (zie Grafiek 2).

03. De beugel moet, voor dat hij aan de muur bevestigd wordt, aan de daarvoor bestemde bevestigingsplaat gelast worden (afb. 7); indien nodig kan de beugel ingekort worden, bijgevolg moeten de waarden van de afmetingen A en B dan aangepast worden.

Opmerking – De bijgeleverde beugel voor de reductiemotor Toona reeks 4-5, heeft een lengte van 150 mm; in geval van bijzondere toepassingen of bij een hekwerk met naar buiten draaiende vleugel (afb. 6) is het mogelijk de beugel mod. PLA6 te gebruiken (accessoire).

OPGEPAST! – Alvorens de achterste beugel te bevestigen, controleer of de bevestigingszone voor de voorste beugel in een stevige zone van de vleugel valt, daar hij op een verschillende hoogte moet bevestigd worden t.o.v. de achterste beugel (afb. 8).

04. Bevestig nu de beugel met behulp van de pluggen, schroeven en afdichtingsringen (bijgeleverd).

3.5.2 – Installatie van de voorste bevestigingsbeugel

De voorste bevestigingsbeugel moet aan de vleugel van het hekwerk bevestigd worden met inachtneming van de waarden van de afmetingen D en E (afb. 4).

Opmerking – De bijgeleverde beugel voor de Toona reductiemotor reeks 4-5, moet rechtstreeks op de vleugel van het hekwerk gelast worden. Is dit niet mogelijk, moet u de beugel mod. PLA8 gebruiken (accessoire).

01. Bepaal de waarde van de afmeting E aan de hand van de Tabel 1;
02. Bepaal de hoogte waarin de voorste beugel moet geplaatst worden, raadpleeg hiervoor afb. 8;
03. Bevestig vervolgens de beugel aan het stevige deel van de vleugel van het hekwerk.

3.5.3 – Installatie van de reductiemotor op de bevestigingsbeugels

• Installeer de reductiemotor op de achterste beugel:

01. Bevestig de reductiemotor aan de beugel, zoals getoond in afb. 9 met behulp van de bijgeleverde schroef, de afdichtingsring en de moer;
02. Schroef volledig de moer dicht en draai hem vervolgens ong. 1/10 van een draai los, om een kleine speling tussen de delen toe te laten.

• Installeer de reductiemotor op de voorste beugel:

01. Bevestig de reductiemotor aan de beugel, zoals getoond in afb. 10, met behulp van de bijgeleverde schroef en afdichtingsring;
02. Draai de schroef volledig dicht.
03. Bevestig duurzaam de label die u in de verpakking vindt, in de nabijheid van de reductiemotor. De label geeft informatie betreffende de manuele blokkering en deblokkering van de reductiemotor.

3.6 – Afstelling van de mechanische eindloop

De mechanische eindloop, laat toe de stilstand van de vleugel van het hek af te stellen; op deze wijze is het gebruik van de hekstoppers niet nodig en wordt vermeden dat de vleugel op het einde van de verplaatsing er tegenaan botst.

• Toona reeks 4-5 (24 V)

OPGEPAST – Bij toepassing van een hekwerk met naar buitendraaiende vleugel (fig. 6) is het noodzakelijk de draden van de voeding om te keren. Stel op de volgende wijze de eindloop in de Opening van de reductiemotor af:

01. Deblokkeer de reductiemotor, zoals aangeduid in afb. 16;
02. Draai de schroef van de mechanische stop los;
03. Breng manueel de vleugel van het hekwerk in de gewenste Openingsstand;
04. Breng vervolgens de mechanische stop in aanslag met de as en blokkeer de schroef (afb. 11).
05. Breng manueel de vleugel in de Sluitstand en blokkeer de reductiemotor.

Opmerking – De reductiemotors mod. TO4006 en mod. TO5016, zijn ook voor de Sluitverplaatsing voorzien van een mechanische eindloop. Indien u een van deze modellen bezit, moet u om de mechanische eindloop te regelen de procedure herhalen die hierboven werd beschreven, met een variatie in punt 03: in dit geval moet de vleugel van het hekwerk manueel in de gewenste Sluitstand gebracht worden.

• Toona reeks 4-5 (230 V)

De Toona reductiemotors reeks 4-5, toegerust voor een wisselstroom van 230 V, zijn voorzien van een mechanische stop met microschakelaar die de elektrische voeding onderbreekt bij contact met de as. **OPGEPAST – Bij toepas-**

TABEL 1

	Toona 4					Toona 5					Toona 6-7
	TO4005	TO4006	TO4015	TO4605	TO4024	TO5015	TO5016	TO5605	TO5024 TO5024HS	TO5024I	
D (mm):	730	695	730	730	730	880	845	880	880	880	1070
A (mm)	E (mm)					E (mm)					E (mm)
100	630	595	630	630	630	780	745	780	780	780	
110	620	585	620	620	620	770	735	770	770	770	
120	610	575	610	610	610	760	725	760	760	760	
130	600	565	600	600	600	750	715	750	750	750	
140	590	555	590	590	590	740	705	740	740	740	
150	580	545	580	580	580	730	695	730	730	730	
160	570	535	570	570	570	720	685	720	720	720	
170	560	525	560	560	560	710	675	710	710	710	
180	550	515	550	550	550	700	665	700	700	700	890
190	540	505	540	540	540	690	655	690	690	690	880
200	530	495	530	530	530	680	645	680	680	680	870
210	520	485	530	530	530	670	635	670	670	670	860
220						660	625	660	660	660	850
230						650	615	650	650	650	840
240						640	605	640	640	640	830
250						630	595	630	630	630	820
260						620	585	620	620	620	810
270						610	575	610	610	610	800
280						600	565	600	600	600	790

sing van een hekwerk met naar buitendraaiende vleugel (afb. 6) is het noodzakelijk de draden van de voeding om te keren.

• Toona reeks 6-7

Stel de **eindloop** van de reductiemotor **af in Sluiting en Opening:**

01. Deblokkeer de reductiemotor zoals aangeduid in **afb. 16**;
02. Verplaats manueel de vleugel tot de schroef van de mechanische stop zichtbaar is en schroef ze los;
03. Breng manueel de vleugel in de gewenste Openingsstand;
04. Breng vervolgens de mechanische stop in aanslag met de as en blokkeer de schroef (**afb. 12**).
05. Herhaal nu deze procedure terwijl u de vleugel in de maximale Sluitstand brengt, om de eindloop in de Sluiting af te stellen.
06. Blokkeer uiteindelijk de reductiemotor.

4 ELEKTRISCHE AANSLUITINGEN

OPGEPAST!

- Een verkeerde aansluiting kan defecten of gevaarlijke situaties veroorzaken; neem dus strikt de aangeduide verbindingen in acht.
- Voer de aansluitingwerkzaamheden uit met afgesloten elektrische voeding.

Om de reductiemotor met de Besturingseenheid te verbinden, moet u als volgt te werk gaan:

01. Verwijder het deksel van de reductiemotor zoals aangeduid in **afb. 13**;
02. Maak de kabelgeleider van de reductiemotor los en voeg de verbindingkabels erin (**afb. 14**);
03. Sluit de verschillende draden en de aardingskabel aan, zoals aangeduid op het elektrisch schema van **afb. 15**;
04. Zet het deksel van de reductiemotor opnieuw op zijn plaats.

Om de verbindingen, de draairichting van de motor, de faseverschuiving van de verplaatsing van de draaivleugels en de afstelling van de eindloop te controleren, moet u de instructiehandleiding van de Besturingseenheid raadplegen.

BELANGRIJK – In aanwezigheid van een hek met opening naar buiten is het noodzakelijk de voedingsdraden om te keren (t.o.v. een standaardinstallatie).

5 TESTEN VAN DE AUTOMATISERING

Dit is de belangrijkste fase bij het realiseren van een automatisering. Deze fase heeft tot doel een maximale veiligheid te garanderen. De test kan ook gebruikt worden als periodieke controle van de inrichtingen die de automatisering samenstellen.

De test van de volledige installatie moet uitgevoerd worden door bevoegd en ervaren personeel. Dit personeel is belast met de vereiste testen in functie van het aanwezige risico. Tevens is het belast met de controle op het naleven van de voorgeschreven normen en verordeningen en in het bijzonder de voorschriften van de norm EN12445, die de testmethodes bepaalt voor de controle van mechanisch aangedreven poorten en hekken.

Test

Elke afzonderlijke component van de automatisering, bv. de gevoelige boorden, af fotocellen, de noodstop enz., vereist een specifieke testfase: voor deze inrichtingen zullen de procedures uitgevoerd moeten worden, aangeduid in de respectievelijke instructiehandleidingen. Voor de test van de reductiemotor moeten de volgende handelingen uitgevoerd worden:

01. Controleer of alles wat in de onderhavige handleiding werd voorzien, strikt werd nageleefd en in het bijzonder in het hoofdstuk 1;
02. Deblokkeer de reductiemotor zoals aangeduid in **afb. 16**;
03. Controleer of het mogelijk is manueel de vleugel te openen en te sluiten met een kracht die de 390 N (ong. 40 kg) niet overschrijdt;
04. Blokkeer de reductiemotor en verbind de elektrische voeding;
05. Voer opening-, sluiting- en stoptesten van het hekwerk uit met behulp van de besturingsinrichtingen (sleutelschakelaar, besturingsdrukknoppen of radiozenders). Controleer of het hek zich zoals voorzien gedraagt;
06. Controleer een voor een de correcte werking van alle veiligheidsinrichtingen aanwezig op de installatie (focellen, gevoelige boorden, noodstoppen, enz.). Controleer of het hek zich zoals voorzien gedraagt;
07. Geef het bevel voor een sluitingsmanoeuvre en controleer de stootkracht van de vleugel tegen de aanslag van de mechanische eindloop. Indien noodzakelijk, kan de druk ontlast worden tot een afstelling wordt gevonden die de beste resultaten oplevert;

08. Indien de gevaarlijke omstandigheden, veroorzaakt door de verplaatsing van de vleugel, door de beperking van de stootkracht werden beschermd, moet de veiligheidsmeting uitgevoerd worden in overeenkomst met de norm EN 12445;

Nota – De reductiemotor is niet voorzien van een inrichting voor afstelling van het koppel. Deze afstelling is dus toevertrouwd aan de Besturingseenheid.

Inbedrijfstelling

De inbedrijfstelling kan enkel gebeuren nadat alle testfases van de reductiemotor en van de andere aanwezige inrichtingen met positief resultaat werden uitgevoerd. Om de inbedrijfstelling uit te voeren moet de instructiehandleiding van de Besturingseenheid geraadpleegd worden.

BELANGRIJK – Een gedeeltelijke inbedrijfstelling of inbedrijfstelling in “voorlopige” situaties is verboden.

6 ONDERHOUD VAN HET PRODUCT

Voor een constant veiligheidsniveau en om een maximale levensduur van de automatisering te garanderen is een regelmatig onderhoud noodzakelijk. Het onderhoud moet uitgevoerd worden met complete inachtneming van de veiligheidsvoorschriften, aanwezig in de onderhavige handleiding en overeenkomstig met de van kracht zijnde normen en wetten. Voor de reductiemotor is een geprogrammeerd onderhoud noodzakelijk, maximum binnen de 6 maanden.

Onderhoudswerkzaamheden:

01. Sluit alle elektrische voedingsbronnen af.
02. Controleer de staat van alle materialen die de automatisering samenstellen met bijzondere aandacht voor erosie of oxidatie van de structurele onderdelen; vervang de onderdelen die geen voldoende garantie bieden.
03. Controleer of de schroefaansluitingen op correcte wijze zijn aangespannen.
04. Controleer of de schroefmoer en de wormschroef op gepaste wijze gesmeerd zijn.
05. Controleer de slijtage van de bewegende onderdelen en vervang eventueel de versleten delen.
06. Sluit opnieuw de elektrische voedingsbronnen aan en voer alle testen en controles uit voorzien in het hoofdstuk 5.

Voor de andere inrichtingen die in de installatie aanwezig zijn, moeten hun eigen instructiehandleidingen geraadpleegd worden.

VERWIJDERING VAN HET PRODUCT

Dit product is een integrerend deel van de automatisering en ze moeten dus samen verwijderd worden.

Zoals voor de installatiewerkzaamheden moeten, op het einde van de levensduur van dit product, de ontmantelingswerkzaamheden door bevoegd personeel uitgevoerd worden.

Dit product bestaat uit verschillende soorten materiaal: sommige kunnen gerecycleerd worden, andere moeten verwijderd of verwerkt worden. Informeer u over de recyclagesystemen en de verwijdering voorzien voor deze productcategorie door de van kracht zijnde normen in het land van gebruik.

Opgepast! – sommige delen van het product kunnen vervuilende of gevaarlijke stoffen bevatten die indien verspreid in de omgeving de oorzaak kunnen zijn van schadelijke gevolgen op het milieu en de gezondheid.

Zoals aangeduid door het symbool hiernaast, het is verboden dit product in de huisafval te werpen. Voor de verwijdering moet de “gescheiden inzameling” uit gevoerd worden, volgens de methodes voorzien door de van kracht zijnde voorschriften in het land van gebruik. Het product kan ook aan de verkoper terugbezorgd worden wanneer een nieuw gelijkaardig product wordt aangekocht.



Opgepast! – de van kracht zijnde voorschriften op lokaal gebied kunnen zware boetes voorzien indien het product niet op correcte wijze wordt verwijderd.

TECHNISCHE EIGENSCHAPPEN VAN HET PRODUCT

AANWIJZINGEN: • Alle vermelde technische eigenschappen hebben betrekking op het product bij een omgevingstemperatuur van 20°C (± 5°C). • De firma Nice S.p.a. behoudt zich het recht voor, op om het even welk ogenblik dat zij het nodig acht, wijzigingen aan te brengen, terwijl dezelfde functionaliteit en gebruiksbestemming wordt behouden.

Toona reeks 4

	TO4005	TO4006	TO4015	TO4605	TO4024
Typologie	elektromechanische reductiemotor voor hekwerken en poorten met draaivleugels				
Voeding	230 Vac 50 Hz	230 Vac 50 Hz	230 Vac 50 Hz	230 Vac 50 Hz	24 Vdc
Maximum opname	1,5 A	1,5 A	1,5 A	1,3 A	5 A
Nominale opname	1 A	1 A	1 A	0,9 A	2 A
Maximum opgenomen vermogen	340 W	340 W	340 W	300 W	120 W
Nominaal opgenomen vermogen	180 W	180 W	180 W	160 W	48 W
Ingebouwde condensator	7 µF	7 µF	7 µF	7 µF	-
Beschermingsgraad	IP 44	IP 44	IP 44	IP 44	IP 44
Slag	385 mm	350 mm	385 mm	385 mm	385 mm
Onbelaste snelheid	0,016 m/s	0,016 m/s	0,013 m/s	0,016 m/s	0,016 m/s
Belaste snelheid	0,012 m/s	0,012 m/s	0,010 m/s	0,012 m/s	0,012 m/s
Maximale kracht	1800 N	1800 N	1800 N	1800 N	1800 N
Nominale kracht	600 N	600 N	600 N	600 N	600 N
Werkings temperatuur	van -20°C tot +50°C	van -20°C tot +50°C	van -20°C tot +50°C	van -20°C tot +50°C	van -20°C a +50°C
Thermosbescherming	140 °C	140 °C	140 °C	140 °C	-
Aantal cycli/h op nominale kracht	58	58	54	50	95
Duurzaamheid	geschat tussen 80.000 en 250.000 verplaatsingscycli, volgens de condities vermeld in Tabel 2				
Isolatieklasse	F	F	F	F	F
Afmetingen (mm)	820 x 115 x 105 h	820 x 115 x 105 h	820 x 115 x 105 h	820 x 115 x 105 h	820 x 115 x 105 h
Gewicht	6 kg	6 kg	6 kg	6 kg	6 kg

Toona reeks 5

	TO5015	TO5016	TO5605	TO5024	TO5024I	TO5024HS
Typologie	elektromechanische reductiemotor voor hekwerken en poorten met draaivleugels					
Voeding	230 Vac 50 Hz	230 Vac 50 Hz	230 Vac 50 Hz	24 Vdc	24 Vdc	24 Vdc
Maximum opname	1,5 A	1,5 A	1,3 A	5 A	5 A	5 A
Nominale opname	1 A	1 A	0,9 A	2,2 A	2,2 A	2,5 A
Maximum opgenomen vermogen	340 W	340 W	300 W	120 W	120 W	120 W
Nominaal opgenomen vermogen	180 W	180 W	160 W	48 W	60 W	60 W
Ingebouwde condensator	7 µF	7 µF	7 µF	-	-	-
Beschermingsgraad	IP 44	IP 44	IP 44	IP 44	IP 44	IP 44
Slag	540 mm	505 mm	540 mm	540 mm	540 mm	505 mm
Onbelaste snelheid	0,013 m/s	0,013 m/s	0,016 m/s	0,016 m/s	0,013 m/s	0,025 m/s
Belaste snelheid	0,010 m/s	0,010 m/s	0,012 m/s	0,012 m/s	0,010 m/s	0,018 m/s
Maximale kracht	1800 N	1800 N	1800 N	1800 N	2200 N	1800 N
Nominale kracht	600 N	600 N	600 N	600 N	800 N	600 N
Werkings temperatuur	van -20°C tot +50°C					
Termoprotezione	140 °C	140 °C	140 °C	-	-	-
Aantal cycli/h op nominale kracht	54	54	50	95	75	75
Duurzaamheid	geschat tussen 80.000 en 250.000 verplaatsingscycli, naargelang de condities vermeld in de Tabel 2					
Isolatieklasse	F					
Afmetingen (mm)	965 x 115 x 105 h					
Gewicht	7 kg	7 kg	7 kg	7 kg	8 kg	7,5 kg

Toona reeks 6-7

	TO6024HS	TO7024
Typologie	elektromechanische reductiemotor voor hekwerken en poorten met draaivleugels	
Voeding	24 Vdc	24 Vdc
Maximum opname	5 A	5 A
Nominale opname	2,5 A	2,5 A
Maximum opgenomen vermogen	120 W	120 W
Nominaal opgenomen vermogen	60 W	60 W
Beschermingsgraad	IP 44	IP 44
Slag	584 mm	584 mm
Onbelaste snelheid	0,016 m/s	0,013 m/s
Maximale kracht	2200 N	2700 N
Nominale kracht	1200 N	1400 N
Werkings temperatuur	van - 20°C tot + 50°C	van - 20°C tot + 50°C
Aantal cycli/h op nominale kracht	41	41
Duurzaamheid	geschat tussen 80.000 e 250.000 verplaatsingscycli naargelang de condities vermeld in Tabel 2	
Isolatieklasse	F	F
Afmetingen (mm)	1200 x 128 x 150 h	1200 x 128 x 150 h
Gewicht	15 kg	15 kg

Duurzaamheid van het product

De duurzaamheid is het gemiddelde economische leven van het product. De waarde van de duurzaamheid wordt sterk beïnvloed door de belastingsgraad van de verplaatsingen, uitgevoerd door de automatisering: m.a.w. de som van alle factoren die bijdragen tot de slijtage van het product (zie Tabel 2).

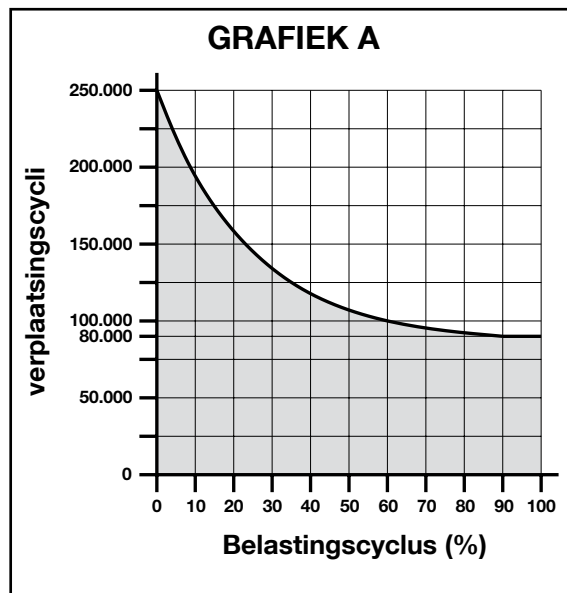
Om de vermoedelijke duurzaamheid te bepalen van uw automatisering, moet u als volgt te werk gaan:

01. Bereken de belastingsgraad door de som te maken van de in percentage uitgedrukte waarden van de items aanwezig in de **Tabel 2**;

02. In de **Grafiek A** moet u vanaf de gevonden waarde een verticale lijn trekken tot de kromme wordt gekruist. Trek vanuit dit punt een horizontale lijn tot u de lijn "verplaatsingscycli" kruist. De bepaalde waarde is de geschatte duurzaamheid van uw product.

De schatting van de duurzaamheid wordt uitgevoerd op de basis van de ontwerpberekeningen en testresultaten, uitgevoerd op de prototypes. Daar het hier over een schatting gaat, kan dit geen garantie zijn voor de effectieve duurzaamheid van het product.

		Belastingsgraad		
		Toona 4	Toona 5	Toona 6-7
Gewicht van de vleugel:	> 200 kg	10 %	0 %	0 %
	> 300 kg	20 %	10 %	0 %
	> 400 kg	30 %	20 %	10 %
	> 500 kg	-	30 %	20 %
Lengte van de vleugel:	2 - 3 m	20 %	0 %	0 %
	3 - 4 m	-	10 %	0 %
	4 - 5 m	-	20 %	10 %
	5 - 6 m	-	-	20 %
	6 - 7 m	-	-	30 %
Omgevingstemperatuur hoger dan 40°C of lager dan 0°C of vochtigheidsgraad boven de 80%		20 %	20 %	20 %
Blinde vleugel:		15 %	15 %	15 %
Installatie in winderige zone:		15 %	15 %	15 %



Voorbeeld van een berekening voor de duurzaamheid van een reductiemotor Toona reeks 5 (raadpleeg de Tabel 2 en de Grafiek A):

- gewicht vleugel = 350 kg (belastingsgraad = 10%)
 - lengte vleugel = 3,5 m (belastingsgraad = 10%)
 - er zijn geen andere vermoeidheidselementen aanwezig
- Totale belastingsgraad = 20%

Geschatte duurzaamheid = 160.000 verplaatsingscycli

EG-conformiteitsverklaring

en inbouwverklaring betreffende niet voltooide machines

Verklaring conform de richtlijnen: 2004/108/EG (EMC); 2006/42/EG (machinerichtlijn) bijlage II, deel B

N.B. - De inhoud van deze verklaring stemt overeen met hetgeen verklaard is in het officiële document dat is neergelegd bij de vestiging van Nice S.p.A., en in het bijzonder met de laatste revisie hiervan die vóór het afdrucken van deze handleiding beschikbaar was. De onderhavige tekst werd om redactionele redenen aangepast. Een kopie van de originele verklaring kan worden aangevraagd bij Nice S.p.A. (TV) I.

Nummer verklaring: **288/TO**

Revisie: **5**

Taal: **NL**

Naam fabrikant: Nice s.p.a.

Adres: Via Pezza Alta 13, 31046 Rustignè di Oderzo (TV) Italië

Gemachtigde voor de samenstelling van de technische documentatie: Nice s.p.a.

Producttype: Elektromechanische reductiemotor serie "TOONA"

Model: TO4005, TO4006, TO4015, TO4024, TO4605, TO5015, TO5016, TO5024, TO5605, TO5624, TO7024, TO5024HS, TO6024HS

Uitrustingen: Geen uitrustingen.

Ondergetekende Mauro Sordini, in zijn hoedanigheid als Chief Executive Officer, verklaart onder zijn eigen verantwoordelijkheid dat het bovenstaande product voldoet aan de bepalingen van de volgende richtlijnen:

- RICHTLIJN 2004/108/EG VAN HET EUROPEES PARLEMENT EN DE RAAD van 15 december 2004 betreffende de onderlinge aanpassing van de wetgevingen van de lidstaten inzake elektromagnetische compatibiliteit en tot intrekking van Richtlijn 89/336/EEG, op basis van de volgende geharmoniseerde normen: EN 61000-6-2:2005; EN 61000-6-3:2007 + A1:2011.

Bovendien voldoet het product aan de onderstaande richtlijn volgens de voor "niet-voltooide machines" geldende vereisten:

- Richtlijn 2006/42/EG VAN HET EUROPEES PARLEMENT EN DE RAAD van 17 mei 2006 met betrekking tot machines tot wijziging van de Richtlijn 95/16/EG (herschikking)
 - Hierbij wordt verklaard dat de relevante technische documentatie is samengesteld volgens de aanwijzingen in bijlage VII B van de Richtlijn 2006/42/EG en dat daarbij aan de navolgende verplichte eisen is voldaan: 1.1.1 - 1.1.2 - 1.1.3 - 1.2.1 - 1.2.6 - 1.5.1 - 1.5.2 - 1.5.5 - 1.5.6 - 1.5.7 - 1.5.8 - 1.5.10 - 1.5.11.
 - De fabrikant zal zorgdragen voor de overdracht van informatie betreffende de "niet-voltooide machine", op gegronde verzoek van de nationale wetgevende instanties, zonder daarbij schade te doen toekomen aan zijn eigen intellectueel eigendomsrecht.
 - Indien de "niet-voltooide machine" in gebruik wordt genomen in een land waar officieel een andere taal wordt gesproken dan de taal waarin deze verklaring is opgesteld, is de importeur verplicht de vertaling van de desbetreffende verklaring toe te voegen.
 - Het is niet toegestaan de "niet-voltooide machine" in gebruik te nemen voordat de uiteindelijke machine waarin zij zal worden ingebouwd, in overeenstemming wordt verklaard met de bepalingen van de Richtlijn 2006/42/EG, waar toepasselijk.

Bovendien voldoet het product aan de hierna volgende normen:

EN 60335-1:2012; EN 60335-2-103:2003 + A11:2009.

Het product voldoet, waar van toepassing, aan de hierna volgende normen:

EN 13241-1:2003 + A1:2011; EN 12445:2002; EN 12453:2002; EN 12978:2003 + A1:2009.

Oderzo, 30 oktober 2014

Ing. Mauro Sordini
(Chief Executive Officer)



1 ПРЕДУПРЕЖДЕНИЯ ОБЩЕГО ХАРАКТЕРА ПО ТЕХНИКЕ БЕЗОПАСНОСТИ

Требования по технике безопасности

- **ВНИМАНИЕ!** – В данном руководстве содержатся важные указания и предупреждения по технике безопасности. Неправильная установка может привести к серьезным травмам. Перед началом работ внимательно изучите все разделы данного руководства. При возникновении вопросов прервите работу и обратитесь за разъяснениями в представительство ГК «Алютех», с которым работаете, либо позвоните в Службу технической поддержки.
- **ВНИМАНИЕ!** – В соответствии с действующим законодательством ЕС, автоматизация ворот регулируется положениями Директивы 98/37/СЕ (Указания по работе с оборудованием 98/37/СЕ), в частности, стандартами EN 12445; EN 12543; EN 12635 и EN 13214-1, соблюдение которых подтверждает соответствие системы автоматизации необходимым положениям. С учетом данных требований, установка, подключение, испытания и техническое обслуживание изделия должны производиться только высококвалифицированным компетентным техническим специалистом!
- **ВНИМАНИЕ!** – Важные указания: сохраните данное руководство и пользуйтесь им при техническом обслуживании и эксплуатации изделия.

Указания по установке

- Перед началом установке убедитесь, что изделие пригодно для автоматизации ваших ворот или двери (см. раздел 3 и раздел «Технические характеристики изделия»). Если изделие окажется несоответствующим предполагаемому применению, прекратите дальнейшую установку.
- Линия питания от сети должна быть оснащена устройством отключения от сети, обеспечивающим размыкание контактов с полным отключением системы в случае перенапряжения категории III.
- При проведении работ по установке и техническому обслуживанию система автоматизации должна быть отключена от сети питания. Если устройство отключения от сети не заметно из места расположения системы автоматизации, перед началом работ на устройстве отключения необходимо прикрепить табличку с надписью: «ВНИМАНИЕ! ВЕДУТСЯ РАБОТЫ ПО ТЕХНИЧЕСКОМУ ОБСЛУЖИВАНИЮ».
- В процессе установки обращайтесь с изделием с осторожностью, избегая рисков дробления, удара, падения или попадания жидкости. Ни в коем случае не размещайте изделие рядом с источниками тепла и не подвергайте его воздействию открытого пламени, так как это может привести к повреждению компонентов изделия и возникновению неисправностей, возгорания или опасных ситуаций. При наступлении какой-либо из вышеперечисленных ситуаций прекратите установку и немедленно обратитесь за разъяснениями в представительство ГК «Алютех», с которым работаете, либо позвоните в Службу технической поддержки.
- Запрещается вносить изменения в компоненты, за исключением изменений компонентов, которые описаны в данном руководстве. Подобного рода операции приводят к возникновению неисправностей. Производитель не несет ответственности за ущерб, возникший в результате произвольной модификации изделий.
- Если в воротах, автоматизацию которых необходимо произвести, предусмотрена калитка, необходимо включить в установку систему регулирования, блокирующую работу двигателя, когда калитка открыта.
- Убедитесь, что, когда створка ворот находится в максимально открытом положении, неподвижные части не задевают за какие-либо препятствия; при необходимости установите для этих частей защитные приспособления.
Расположенная на стене панель кнопочного управления должна находиться в поле зрения человека, находящегося возле системы автоматизации, должна быть удалена от движущихся деталей и должна быть расположена на высоте не менее 1,5 м от поверхности земли; при этом данная панель должна быть вне зоны доступа посторонних лиц.
- Утилизация упаковки изделия должна быть выполнена в соответствии с действующими положениями местного законодательства.

Данное изделие предназначено для автоматизации ворот для жилых помещений или промышленных ворот с открывающимися створками. **ВНИМАНИЕ!** Использование изделия не в соответствии с его назначением и в условиях, не соответствующих рекомендациям данного руководства, считается неподобающим. Такое использование строго запрещено.

Данное изделие представляет собой электромеханический привод с двигателем 24 В пост. тока или 230 В пер. тока (в зависимости от модели) и червячным редуктором.

Для управления редукторным двигателем используется внешний блок управления.

На случай временного отключения электроэнергии предусмотрена возможность разблокировки редукторного двигателя и перемещения створок ворот вручную.

На Рис. 1 показаны все компоненты, входящие в комплект (в зависимости от выбранной модели):

- [a] - электромеханический редукторный двигатель
- [b] - передний кронштейн (для крепления редукторного двигателя к створке ворот)
- [c] - задний кронштейн и пластина (для крепления редукторного двигателя к стене)
- [d] - металлические детали (винты, шайбы и т. д.)
- [e] - ключи для ручной разблокировки редукторного двигателя

3 УСТАНОВКА

3.1 - Предварительные проверки перед установкой

Перед началом установки проверьте целостность всех компонентов, правильность выбора модели и ее соответствие среде установки.

ВАЖНАЯ ИНФОРМАЦИЯ. Редукторный двигатель не предназначен для автоматизации открываемых вручную ворот с ненадежной и неправильно выполненной конструкцией. Использование данного устройства не может компенсировать неисправности, возникшие в результате неправильной установки и эксплуатации ворот.

3.2 - Возможность автоматизации ворот и среда установки

- Убедитесь, что в конструкции ворот предусмотрена возможность автоматизации при соблюдении требований действующего законодательства (при необходимости, ознакомьтесь с информацией на табличке для ворот).
- Вручную перемещая створки ворот в открытое и закрытое положение, убедитесь, что при перемещении ворот трение остается одинаковым на всех участках траектории движения (трение не должно возрастать на отдельных участках траектории).
- Убедитесь, что ворота сбалансированы, то есть в случае остановки в любом положении они остаются неподвижными.
- Убедитесь, что пространство вокруг редукторного двигателя позволяет вручную легко и надежно произвести разблокировку створок.
- Убедитесь, что изделие устанавливается на твердую поверхность, которая может использоваться как надежная опора.
- Убедитесь, что выбранное для монтажа место соответствует размеру редукторного двигателя (Рис. 2). При этом следует иметь в виду, что возможность открытия ворот и прилагаемое толкающее усилие двигателя зависят от места крепления заднего кронштейна. В связи с этим, перед началом установки по Графику 2 следует определить угол открытия створки и усилие двигателя, необходимое для эксплуатации системы.

3.3 - Ограничения при эксплуатации изделия

Перед началом установки по Графику 1 проверьте размер и вес створок ворот с учетом приведенных на графике ограничений.

3.4 - Подготовка к установке

На Рис. 3 приведен пример системы автоматизации, разработанной с использованием компонентов производства компании Nice, которые расположены в соответствии с типовой схемой.

По Рис. 3 определите приблизительное положение для установки каждого компонента, предусмотренного в устройстве системы, а также оптимальную схему электрических соединений.

Компоненты, используемые при сборке системы (Рис. 3):

- 1 - Электромеханические редукторные двигатели
- 2 - Пара фотоэлементов

- 3 - Два ограничителя (при открытии)
- 4 - Стойка с фотоэлементами
- 5 - Проблесковая сигнальная лампа со встроенной антенной
- 6 - Переключатель с ключом или цифровой переключатель
- 7 - Вертикальный электромеханический замок
- 8 - Блок управления

3.5 - Установка крепежных кронштейнов и редукторного двигателя

3.5.1 – Установка заднего крепежного кронштейна

По **Графику 2** определите положение заднего кронштейна. Этот график позволяет определить **размеры А и В**, а также **максимальное значение угла открытия створки ворот**. **Важная информация:** для обеспечения линейного движения системы автоматизации значения **А и В** должны быть **приблизительно одинаковыми**.

01. Определите размер С (рис. 4), измерив расстояние по стороне крепления;
02. На графике 2 отмерьте полученное значение С и проведите горизонтальную прямую, позволяющую найти **значение В (*)**, как это показано на **Рис. 5**; точка пересечения с прямой «r.i.» (линия оптимальных размеров) позволяет найти значение угла максимального открытия. От этой точки проведите вертикальную линию как показано на **Рис. 5** и определите **значение показателя А**. Если найденное значение угла не соответствует требованиям, откорректируйте значение показателя А и, при необходимости, значение показателя В так, чтобы они были приблизительно равны.

(* Показатель В не должен быть ниже линии «t» (см. график 2).

03. До крепления к стене кронштейн должен быть прикреплен к специальной крепежной пластине (**Рис. 7**); при необходимости кронштейн может быть обрезан с учетом значений А и В.

Примечание. Задний кронштейн, поставляемый в комплекте с редукторным двигателем Тоона моделей 4 – 5, имеет длину 150 мм; при установке в особых условиях или для открывающихся наружу ворот (**Рис. 6**) может использоваться кронштейн модели PLA6 (дополнительный аксессуар).

ВНИМАНИЕ! Перед креплением заднего кронштейна убедитесь, что место крепления переднего кронштейна выбрано на твердой поверхности створки, поскольку данный кронштейн и задний кронштейн должны быть закреплены на разной высоте (**Рис. 8**).

04. На данном этапе закрепите кронштейн при помощи штифтов, винтов и шайб (не входят в комплект поставки).

3.5.2 – Установка переднего крепежного кронштейна

Передний кронштейн должен быть закреплен на створке ворот с учетом значений **Д и Е (Рис. 4)**.

Примечание – Передний кронштейн, поставляемый в комплекте с редукторным двигателем Тоона моделей 4 – 5, необходимо приварить непосредственно к створке ворот. Если это невозможно, используйте кронштейн модели PLA8 (дополнительный аксессуар).

01. По таблице 1 установите **расстояние Е**;
02. По **Рис. 8** установите высоту установки переднего кронштейна;
03. Закрепите кронштейн на твердой поверхности створки ворот.

3.5.3 – Установка редукторного двигателя на крепежные кронштейны

• Установка редукторного двигателя на задний кронштейн:

01. При помощи винтов, шайб и гаек, поставляемых в комплекте, закрепите редукторный двигатель на кронштейне, как это показано на **Рис. 9**;
02. Затяните гайку до конца и затем открутите ее на 1/10 оборота, обеспечив минимальный зазор между деталями.

• Установка редукторного двигателя на передний кронштейн:

01. При помощи винтов, шайб и гаек, поставляемых в комплекте, закрепите редукторный двигатель на кронштейне, как это показано на **Рис. 10**;
02. Полностью затяните винт.
03. Рядом с редукторным двигателем надежно прикрепите прилагаемую в комплекте табличку с инструкциями по блокировке и разблокировке редукторного двигателя.

3.6 - Настройка механического концевого выключателя

Механический концевой выключатель используется для регулирования положения остановки ворот, что позволяет отказаться от установки ограничителя перемещения и тем самым избежать ударов о него створок ворот.

• Привод Тоона серии 4 – 5 (24 В)

ВНИМАНИЕ. Если ворота открываются наружу (**рис. 6**), поменяйте полярность кабелей питания. Настройте концевой выключатель на открытие при работе двигателя следующим образом:

01. Разблокируйте редукторный двигатель как показано на **Рис. 16**;
02. Ослабьте зажимной винт;
03. Вручную переведите створку ворот в открытое положение;
04. Затем доведите механический упор до конца стержня и заблокируйте винт (**рис. 11**).
05. Вручную переведите створку ворот в закрытое положение и заблокируйте двигатель.

Примечание. Редукторный электродвигатель моделей TO4006 и TO5016 поставляется в комплекте с концевым выключателем, который позволяет регулировать работу двигателя при закрытии

ТАБЛИЦА 1

	Тоона 4					Тоона 5					Тоона 6-7
	TO4005	TO4006	TO4015	TO4605	TO4024	TO5015	TO5016	TO5605	TO5024 TO5024HS	TO5024I	
D (мм.):	730	695	730	730	730	880	845	880	880	880	1070
A (мм.)	E (мм.)					E (мм.)					E (мм.)
100	630	595	630	630	630	780	745	780	780	780	
110	620	585	620	620	620	770	735	770	770	770	
120	610	575	610	610	610	760	725	760	760	760	
130	600	565	600	600	600	750	715	750	750	750	
140	590	555	590	590	590	740	705	740	740	740	
150	580	545	580	580	580	730	695	730	730	730	
160	570	535	570	570	570	720	685	720	720	720	
170	560	525	560	560	560	710	675	710	710	710	
180	550	515	550	550	550	700	665	700	700	700	890
190	540	505	540	540	540	690	655	690	690	690	880
200	530	495	530	530	530	680	645	680	680	680	870
210	520	485	520	520	520	670	635	670	670	670	860
220						660	625	660	660	660	850
230						650	615	650	650	650	840
240						640	605	640	640	640	830
250						630	595	630	630	630	820
260						620	585	620	620	620	810
270						610	575	610	610	610	800
280						600	565	600	600	600	790

ворот. Чтобы настроить концевой выключатель для одной из данных моделей, выполните описанный выше порядок действий с той разницей, что в **пункте 03** необходимо вручную привести створку ворот в закрытое положение.

• Привод Тоопа серии 4-5 (230 В)

Приводы Тоопа серии 4 – 5 на 230 В пер. тока поставляются в комплекте с механическим упором и микропереключателем, который при контакте со стержнем прекращает подачу питания. **ВНИМАНИЕ! Если ворота открываются наружу (рис. 6), поменяйте полярность кабелей питания.**

• Привод Тоопа серии 6-7

Установите концевой выключатель в положение Открытия или Закрытия привода;

01. Разблокируйте редукторный двигатель как показано на **Рис. 16**;
02. Вручную перемещайте створку ворот, пока не увидите винт механического упора; после этого ослабьте винт;
03. Вручную переведите створку ворот в открытое положение;
04. Затем доведите механический упор до конца стержня и заблокируйте винт (**рис. 12**);
05. На данном этапе вручную переведите створку ворот в максимально закрытое положение и повторите необходимые действия, настроив концевой выключатель на закрытие ворот;
06. Наконец, заблокируйте редукторный электродвигатель. **3** - Два ограничителя (при открытии)

03. Убедитесь, что при открытии и закрытии можно вручную переместить створку ворот, прилагая усилие не более 390 Н (приблизительно 40 кг);
04. Заблокируйте редукторный двигатель и подключите его к сети питания;
05. Используя устройство управления или устройство срочного отключения (клавишный селекторный переключатель, кнопки управления или пульт ДУ), проверьте открытие, закрытие и остановку движения створок и убедитесь, что данные операции выполняются корректно;
06. Последовательно проверьте работу всех предусмотренных в системе устройств безопасности (фотоэлементов, чувствительных краев, механизмов срочного отключения и т. д.), убедитесь, что ворота функционируют корректно;
07. При выполнении закрытия створок по команде проверьте, какое усилие прилагается к механическому концевому выключателю. При необходимости постарайтесь уменьшить давление, изменив заданные настройки на более подходящие;
08. Чтобы ограничить силу воздействия с целью избежать опасных ситуаций при перемещении створки, измерение такой силы необходимо производить в соответствии с требованиями стандарта EN 12445;

Примечание – Устройства регулировки крутящего момента не входят в комплект поставки редукторного двигателя; для регулировки крутящего момента используется блок управления.

6 ТЕХНИЧЕСКОЕ ОБСЛУЖИВАНИЕ ИЗДЕЛИЯ

Чтобы обеспечить надлежащий уровень безопасности и максимальный срок службы системы автоматизации в целом, следует проводить регулярное техническое обслуживание системы.

Техническое обслуживание должно осуществляться в соответствии с инструкциями по технике безопасности, приведенными в этом руководстве, а также в соответствии с положениями действующих законов и постановлений. Плановое техническое обслуживание редукторного двигателя должно проводиться не реже, чем раз в полгода.

Операции технического обслуживания:

01. Отключите устройство от источника питания.
02. Проверьте степень износа всех материалов, используемых в системе автоматизации, обратив особое внимание на наличие коррозии или окисления ее несущих деталей. Замените недостаточно надежные детали.
03. Проверьте, туго ли затянуты винтовые соединения.
04. Убедитесь, что болт и червячный винт хорошо смазаны.
05. Проверьте степень износа подвижных деталей; при необходимости, замените изношенные детали.
06. Подключите устройство к источнику питания и проведите испытания, описанные в Разделе 5.

Информация о других деталях, входящих в систему автоматизации, содержится в соответствующих руководствах по эксплуатации.

4 ЭЛЕКТРИЧЕСКИЕ ПОДКЛЮЧЕНИЯ

ВНИМАНИЕ!

- **Неправильное подключение может привести к возникновению неисправностей или опасных ситуаций. Точно следуйте приводимым рекомендациям по подключению.**
- **Осуществляйте подключение только при отключенном питании.**

Чтобы подключить редукторный двигатель к блоку управления, выполните следующие действия:

01. Снимите крышку редукторного двигателя, как показано на **рис. 13**;
02. Разберите кабель канал и пропустите через него кабель (**рис. 14**);
03. Подсоедините различные кабели, включая кабель заземления, в точности как показано на схеме электрических подключений на **Рис. 15**;
04. Установите крышку на редукторный двигатель.

Чтобы проверить правильность подключений, направления вращения двигателя, фазового сдвига при перемещении створок ворот, а также настройки концевых выключателей, обратитесь к руководству по эксплуатации блока управления.

ВАЖНАЯ ИНФОРМАЦИЯ – Если ворота должны открываться наружу, поменяйте кабели питания по сравнению со стандартной схемой установки.

5 ИСПЫТАНИЯ СИСТЕМЫ АВТОМАТИЗАЦИИ

Это наиболее важный этап автоматизации, обеспечивающий максимальную безопасность эксплуатации системы. Испытания также можно проводить в рамках регулярной проверки компонентов системы автоматизации.

Необходимые испытания всей системы должны проводиться квалифицированным опытным персоналом с учетом соответствующих рисков. В ходе испытаний такой персонал должен проверить соответствие оборудования действующим законодательным положениям, постановлениям и нормам и, в частности, требованиям стандарта EN 12445, которым устанавливаются методики испытаний систем автоматизации гаражных ворот.

Испытания

Для каждого компонента системы (например, чувствительных краев, фотоэлементов, механизмов срочного отключения, и т. д.) могут потребоваться отдельные испытания. Такие испытания должны проводиться в соответствии с процедурами, описанными в инструкциях по эксплуатации соответствующего оборудования. Испытания редукторного двигателя включают следующие действия:

01. Убедитесь, что все требования, изложенные в данном руководстве по эксплуатации и, в частности, в Разделе 1, были точно соблюдены;
02. Разблокируйте редукторный двигатель, как показано на **рис. 16**;

УТИЛИЗАЦИЯ ИЗДЕЛИЯ

Данное изделие является неотъемлемой частью системы автоматизации, таким образом, их утилизация должна осуществляться одновременно.

В конце срока службы данного изделия его демонтаж должен выполняться квалифицированным персоналом.

Данное изделие изготовлено из материалов различных типов, часть которых может быть переработана. Выясните, какие системы переработки и утилизации могут использоваться для данной категории товара в вашем регионе в соответствии с местным законодательством.

ВНИМАНИЕ! – Некоторые детали данного изделия могут содержать опасные или загрязняющие окружающую среду материалы, которые при попадании в окружающую среду могут причинить серьезный вред природе и здоровью человека.

Как указано специальным символом на боковой стороне устройства, запрещается выбрасывать данный продукт как бытовые отходы. Следуйте инструкциям по сортировке и утилизации мусора в соответствии с методами, предусмотренными местным законодательством, или верните данное изделие розничному продавцу при приобретении нового аналогичного изделия.

ВНИМАНИЕ! – Положениями местного законодательства за ненадлежащую утилизацию данного изделия могут быть предусмотрены карательные санкции.



ТЕХНИЧЕСКИЕ ХАРАКТЕРИСТИКИ

ВНИМАНИЕ! Технические характеристики, приводимые в данном разделе, актуальны при температуре окружающей среды 20°C (± 5°C). Компания Nice S.p.a. оставляет за собой право вносить изменения в устройство данного изделия в любое время на свое усмотрение, при условии сохранения тех же функциональных характеристик и назначения изделия.

Привод Тоона, серия 4

	TO4005	TO4006	TO4015	TO4605	TO4024
Тип	Привод для распашных ворот				
Входная мощность	230 В пер. тока 50 Гц	230 В пер. тока 50 Гц	230 В пер. тока а 50 Гц	230 В пер. тока 50 Гц	24 В пост. тока
Максимальное потребление	1,5 А	1,5 А	1,5 А	1,3 А	5 А
Номинальное потребление	1 А	1 А	1 А	0,9 А	2 А
Максимальная потребляемая мощность	340 Вт	340 Вт	340 Вт	300 Вт	120 Вт
Номинальная потребляемая мощность	180 Вт	180 Вт	180 Вт	160 Вт	48 Вт
Встроенный конденсатор	7 мкФ	7 мкФ	7 мкФ	7 мкФ	-
Класс защиты	IP 44	IP 44	IP 44	IP 44	IP 44
Длина хода	385 мм	350 мм	385 мм	385 мм	385 мм
Скорость без нагрузки	0,016 м/сек	0,016 м/сек	0,013 м/сек	0,016 м/сек	0,016 м/сек
Скорость с нагрузкой	0,012 м/сек	0,012 м/сек	0,010 м/сек	0,012 м/сек	0,012 м/сек
Максимальное усилие	1800 Н	1800 Н	1800 Н	1800 Н	1800 Н
Номинальное усилие	600 Н	600 Н	600 Н	600 Н	600 Н
Рабочая температура	От -20°C до+50°C	От -20°C до+50°C	От 20°C до+50°C	От -20°C до+50°C	От 20°C до+50°C
Термозащита	140 °C	140 °C	140 °C	140 °C	-
Циклов/час при номинальном усилии	58	58	54	50	95
Срок службы	Предположительно, от 80 000 до 250 000 циклов перемещения в соответствии с условиями, приведенными в Таблице 2				
Класс изоляции	F	F	F	F	F
Размеры (мм)	820 x 115 x 105 h	820 x 115 x 105 h	820 x 115 x 105 h	820 x 115 x 105 h	820 x 115 x 105 h
Вес	6 кг	6 кг	6 кг	6 кг	6 кг

Привод Тоона, серия 5

	TO5015	TO5016	TO5605	TO5024	TO5024I	TO5024HS
Тип	Привод для распашных ворот					
Входная мощность	230 В пер. тока 50 Гц	230 В пер. тока 50 Гц	230 В пер. тока 50 Гц	24В пост. тока	24 В пост. тока	24 В пост. тока
Максимальное потребление	1,5 А	1,5 А	1,3 А	5А	5А	5 А
Номинальное потребление	1 А	1 А	0,9 А	2А	2,2 А	2,5 А
Максимальная потребляемая мощность	340 Вт	340 Вт	300 Вт	120 Вт	120 Вт	120 W
Номинальная потребляемая мощность	180 Вт	180 Вт	160 Вт	48 Вт	60 Вт	60 W
Встроенный конденсатор	7 мкФ	7 мкФ	7 мкФ	-	-	-
Класс защиты	IP 44	IP 44	IP 44	IP 44	IP 44	IP 44
Длина хода	540 мм	505 мм	540 мм	540 мм	540 мм	505 мм
Скорость без нагрузки	0,013 м/сек	0,013 м/сек	0,016 м/сек	0,016 м/сек	0,013 м/сек	0,025 m/s
Скорость с нагрузкой	0,010 м/сек	0,010 м/сек	0,012 м/сек	0,012 м/сек	0,010 м/сек	0,018 m/s
Максимальное усилие	1800 Н	1800 Н	1800 Н	1800 Н	2200 Н	1800 N
Номинальное усилие	600 Н	600 Н	600 Н	600 Н	800 Н	600 N
Рабочая температура	От -20°C до+50°C					
Термозащита	140 °C	140 °C	140 °C	-	-	-
Циклов/час при номинальном усилии	54	54	50	95	75	75
Срок службы	Предположительно, от 80 000 до 250 000 циклов перемещения в соответствии с условиями, приведенными в Таблице 2					
Класс изоляции	F					
Размеры (мм)	965 x 115 x 105 h					
Вес	7 кг	7 кг	7 кг	7 кг	8 кг	7,5 kg

Привод Тоопа, серия 6-7

	TO6024HS	TO7024
Тип	Привод для распашных ворот	
Входная мощность	24 В пер. тока	24 В пер. тока
Максимальное потребление	5 А	5 А
Номинальное потребление	2,5 А	2,5 А
Максимальная потребляемая мощность	120Вт	120Вт
Номинальная потребляемая мощность	60 Вт	60 Вт
Класс защиты	IP 44	IP 44
Длина хода	584 мм	584 мм
Скорость без нагрузки	0,016м/сек	0,013м/сек
Максимальное усилие	2200 Н	2700 Н
Номинальное усилие	1200 Н	1400 Н
Рабочая температура	От -20°C до+50°C	От -20°C до+50°C
Циклов/час при номинальном усилии	41	41
Срок службы	Предположительно, от 80 000 до 250 000 циклов перемещения в соответствии с условиями, приведенными в Таблице 2	
Класс изоляции	F	F
Параметры (мм)	1200x128x 150h	1200x128x 150h
Вес	15 кг	15 кг

Срок службы изделия

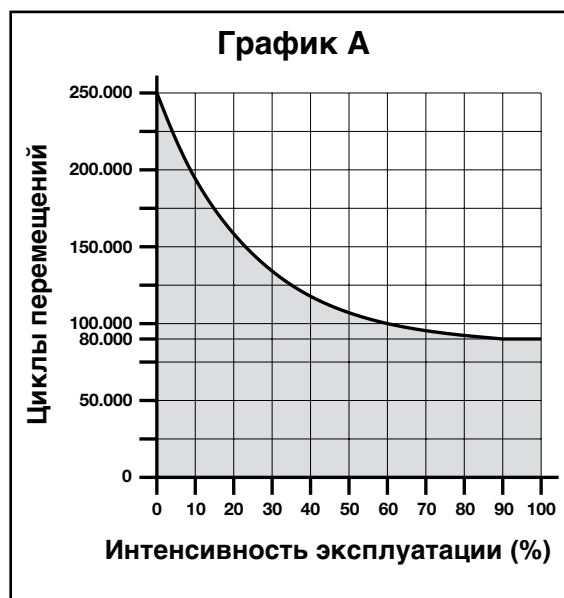
Срок службы представляет собой средний срок эффективной службы изделия. Значение срока службы в значительной степени зависит от интенсивности эксплуатации системы автоматизации, которая понимается как совокупность факторов, влияющих на износ изделия (см. Таблицу 2).

Чтобы определить износоустойчивость системы автоматизации, необходимо выполнить следующие действия:

01. Сложите значения (в процентах) показателей, представленных в **Таблице 2**, рассчитав таким образом интенсивность эксплуатации;
02. На **Графике А** возьмите только что найденное значение за точку отсчета и от этой точки проведите вертикальную линию до пересечения с кривой; от данной точки проведите горизонтальную линию, пересекающую линию «циклы перемещений». Полученное значение и есть расчетный срок службы изделия.

Оценка срока службы осуществляется на основе проектных расчетов и результатов испытаний прототипов. Однако полученный результат является приблизительным и не гарантирует фактический срок службы изделия.

ТАБЛИЦА 2				
		Интенсивность эксплуатации		
		Тоопа 4	Тоопа 5	Тоопа 6-7
Вес створки	> 200 кг	10 %	0 %	0 %
	> 300 кг	20 %	10 %	0 %
	> 400 кг	30 %	20 %	10 %
	> 500 кг	-	30 %	20 %
Длина створки	2 - 3 м	20 %	0 %	0 %
	3 - 4 м	-	10 %	0 %
	4 - 5 м	-	20 %	10 %
	5 - 6 м	-	-	20 %
	6 - 7 м	-	-	30 %
Температура окружающей среды выше 40°C или ниже 0°C или влажность больше 80%		20 %	20 %	20 %
Сплошная створка:		15 %	15 %	15 %
Монтаж в ветреных областях:		15 %	15 %	15 %



Пример расчета срока службы привода Тоопа моделей серии 5 (см. Таблицу 2 и График А):

- вес створки = 350 кг (интенсивность эксплуатации = 10%)
 - длина створки = 3,5 м (интенсивность эксплуатации = 10%)
 - другие детали не находятся под нагрузкой
- Общая интенсивность эксплуатации = 20%

Расчетный срок службы = 160 000 циклов перемещений

Декларация соответствия ЕС

и декларация о возможность подключения «любого устройства»

Декларация о соответствии требованиям Директив: 2004/108/CE (EMC); 2006/42/CE (MD) приложение II, часть B

Примечание - Содержание настоящей декларации соответствует данным, задекларированным в официальном документе, который может быть представлен в офисе компании Nice S.p.a., и, в частности, в своей последней версии, доступной до момента передачи настоящего руководства в печать. Приведенный текст декларации был адаптирован по издательским соображениям. Копию оригинальной декларации можно запросить у компании Nice S.p.A. (TV) I.

Номер: **288/ТО**

Ревизия: **5**

Язык: **RU**

Название изготовителя: Nice s.p.a.

Адрес: Via Pezza Alta N°13, 31046 Rustignè di Oderzo (TV) Italy (Италия)

Лицо, уполномоченное на составление технической документации: Nice s.p.a.

Вид изделия: Электропривод серии «TOONA»

Модель: TO4005, TO4006, TO4015, TO4024, TO4605, TO5015, TO5016, TO5024, TO5605, TO5624, TO7024, TO5024HS, TO6024HS

Дополнительные принадлежности: —

Я, нижеподписавшийся, Мауро Сордини (Mauro Sordini), в качестве Генерального директора, заявляю со всей ответственностью, что указанное далее изделие признано соответствующим требованиям нижеуказанных директив:

- ДИРЕКТИВА 2004/108/CE ЕВРОПЕЙСКОГО ПАРЛАМЕНТА И СОВЕТА МИНИСТРОВ от 15 декабря 2004, касающейся унификации законодательства стран-членов ЕС по электромагнитной совместимости, и заменяющей Директиву 89/336/CEE, в соответствии со следующими общеевропейскими стандартами: EN 61000-6-2:2005; EN 61000-6-3:2007 + A1:2011.

Помимо этого изделие отвечает требованиям следующей директивы в части, касающейся «квазимашин»:

- Директивы 2006/42/CE ЕВРОПЕЙСКОГО ПАРЛАМЕНТА И СОВЕТА МИНИСТРОВ от 17 мая 2006г., касающейся машиностроения и изменяющей Директиву 95/16/CE (переработка)
 - Также декларируется что соответствующая техническая документация была составлена в соответствии с приложением VII B Директивы 2006/42/CE и с соблюдением следующих основных положений: 1.1.1 - 1.1.2 - 1.1.3 - 1.2.1 - 1.2.6 - 1.5.1 - 1.5.2 - 1.5.5 - 1.5.6 - 1.5.7 - 1.5.8 - 1.5.10 - 1.5.11.
 - Изготовитель обязуется предоставить уполномоченным национальным органам по соответствующим образом оформленному запросу всю необходимую информацию по «квазимашине», сохраняя при этом все имеющиеся авторские права.
 - Если «квазимашинa» вводится в эксплуатацию в стране, язык которой отличается от использованного в настоящей декларации, импортер обязан предоставить надлежащий перевод декларации.
 - «Квазимашинa» не должна вводиться в эксплуатацию до тех пор, пока машинa, в которую она встроена, не будет, в свою очередь, признана соответствующей, если применимо, требованиям директивы 2006/42/CE.

Кроме того изделие отвечает требованиям следующих стандартов:

EN 60335-1:2012; EN 60335-2-103:2003 + A11:2009.

Изделие, включая только применимые компоненты, признано отвечающим требованиям следующих стандартов:

EN 13241-1:2003 + A1:2011; EN 12445:2002; EN 12453:2002; EN 12978:2003 + A1:2009.

Одерцо, 30 октября 2014 г.

Инж. Мауро Сордини (Mauro Sordini)
(Генеральный директор)



EN - OPERATION MANUAL

IT - MANUALE D'USO

FR - GUIDE DE L'UTILISATEUR

ES - MANUAL DE USO

DE - GEBRAUCHSANLEITUNG

PL - INSTRUKCJA OBSŁUGI

NL - GEBRUIKSHANDLEIDING

RU - РУКОВОДСТВО ПО ЭКСПЛУАТАЦИИ

Instructions and cautions for the user of the Toona series 4-5-6-7 gear motor

Before using the automation for the first time, have the fitter explain the origin of the residual risks, and dedicate a few minutes of your time to reading the instructions manual and cautions for the user provided by the fitter. Keep the manual for any future doubt and deliver it to any new proprietor of the automation.

CAUTION! –Your automation is a machine which faithfully performs your commands; a wrong or improper use will make it dangerous:

- **Do not command the movement of the automation if people, animals or things are within its range of action.**
- **It is totally forbidden to touch parts of the automation while the gate or door is moving!**
- **Transit is allowed only if the gate or door is completely open with the leaves stopped!**

• **Children:** an automation system guarantees a high level of safety, preventing the movement in the presence of people or things with its detection systems, and guaranteeing an always predictable and safe activation. It is in any case prudent to forbid children to play close to the automation and, to avoid accidental activations, do not leave the remote control within their reach: it is not a toy!

• The product is not designed to be used by people (including children) whose physical, sensorial, or mental abilities are reduced, or those without experience or knowledge, unless they have been able to benefit, through intermediation of a person responsible for their safety, of supervision or instructions regarding the use of the product.

• **Anomalies:** As soon as you notice some anomalous behaviour by the automation, cut off the power to the system and unblock it manually. Do not attempt to perform any repair work, but ask the assistance of your trusted fitter: meanwhile the system can work as an unautomated opening, once the gear motor has been unblocked as described below.

• **Maintenance:** As with each machine your automation needs periodic maintenance so that it can function as long as possible and in complete safety. Agree a periodic maintenance plan with your fitter; Nice recommends maintenance every 6 months for normal domestic use, but this period may vary depending on the intensity of use: Any control, maintenance or repair work must be performed by qualified personnel.

• Even if you consider yourself able to perform the work, do not modify the system and the programming parameters or adjust the automation: it is the responsibility of the fitter.

• The inspection, periodic maintenance work and any repairs must be documented by the person who performs them and these documents must be kept by the owner of the system. The only work you can perform and which we recommend doing periodically is cleaning of the glass of the photocells and the removal of any leaves or stones which may obstruct the automatism. To prevent someone activating the gate, before proceeding, remember to unblock the automatism (as described below) and to clean it only with a sponge slightly dampened in water.

• **Disposal:** At the end of the life of the automation, ensure it is dismantled by qualified personnel and that the materials are recycled or disposed of according to local regulations in force.

• In the event of breakage or black out: As you await for the fitter to perform the work or for the electricity to return if the system is not equipped with buffer batteries, the automation can still be used. It is necessary to manually unblock the gear motor (see "Unblocking or blocking the gear motor") and move the gate leaf manually as required.

UNBLOCKING AND BLOCKING THE GEAR MOTOR MANUALLY

The gear motor is equipped with a mechanical system which allows to open and close the gate manually. These operations must be performed during electrical black outs or operating anomalies.

IMPORTANT! – The gear motor must only be blocked or unblocked when the leaf is stopped.

In the reversible models of the Toona 4-5 series, to move the gate leaf manually, it is not necessary to unblock the gear motor. It is sufficient to move the leaf acting on it with force.

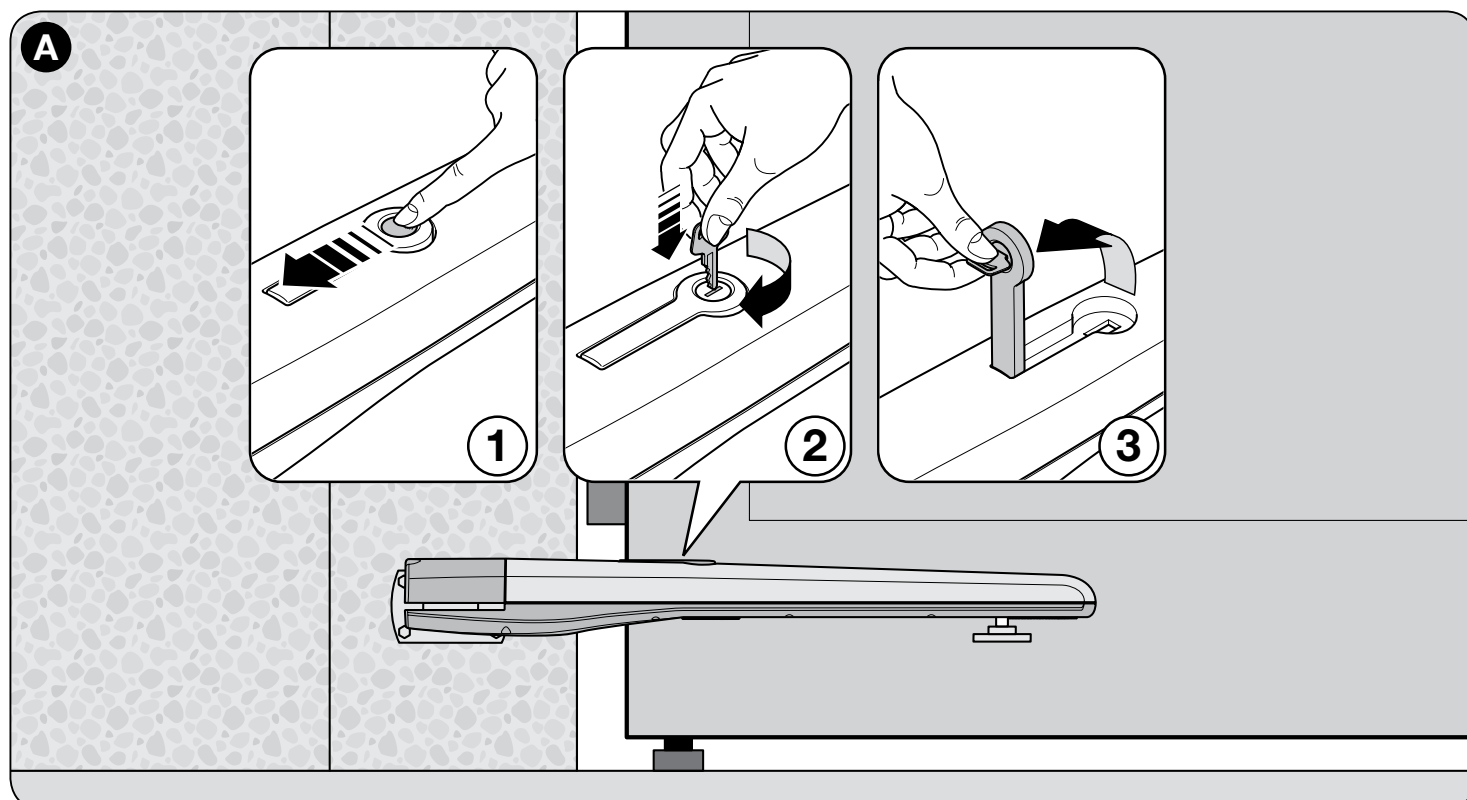
If there is an electric lock on the automation ensure the electric lock is unlocked before moving the leaf.

UNBLOCKING the gear motor manually (fig. A):

01. Slide the protection membrane and insert the key turning it clockwise;
02. Pull the handle upwards, accompanying it;
03. At this point, manually move the gate leaf in the position desired.

BLOCKING the gear motor manually;

01. Close the handle and turn the key anti-clockwise;
02. Remove the key and close the protection membrane.



Istruzioni ed avvertenze destinate all'utilizzatore del motoriduttore Toona serie 4-5-6-7

Prima di usare per la prima volta l'automazione, fatevi spiegare dall'installatore l'origine dei rischi residui, e dedicate qualche minuto alla lettura del manuale di istruzioni ed avvertenze per l'utilizzatore consegnatovi dall'installatore. Conservate il manuale per ogni dubbio futuro e consegnatelo ad un eventuale nuovo proprietario dell'automazione.

ATTENZIONE! – La vostra automazione è un macchinario che esegue fedelmente i vostri comandi; un uso incosciente ed improprio può farlo diventare pericoloso:

- **Non comandate il movimento dell'automazione se nel suo raggio di azione si trovano persone, animali o cose.**
- **È assolutamente vietato toccare parti dell'automazione mentre il cancello o il portone è in movimento!**
- **Il transito è consentito solo se il cancello o il portone è completamente aperto con le ante ferme!**

• **Bambini:** un impianto di automazione garantisce un alto grado di sicurezza, impedendo con i suoi sistemi di rilevazione il movimento in presenza di persone o cose, e garantendo un'attivazione sempre prevedibile e sicura. È comunque prudente vietare ai bambini di giocare in prossimità dell'automazione e per evitare attivazioni involontarie non lasciare i telecomandi alla loro portata: non è un gioco!

• Il prodotto non è destinato ad essere utilizzato da persone (bambini compresi) le cui capacità fisiche, sensoriali o mentali siano ridotte, oppure con mancanza di esperienza o di conoscenza, a meno che esse abbiano potuto beneficiare, attraverso l'intermediazione di una persona responsabile della loro sicurezza, di una sorveglianza o di istruzioni riguardanti l'uso del prodotto.

• **Anomale:** Non appena notate qualunque comportamento anomalo da parte dell'automazione, togliete alimentazione elettrica all'impianto ed eseguite lo sblocco manuale. Non tentate da soli alcuna riparazione, ma richiedete l'intervento del vostro installatore di fiducia: nel frattempo l'impianto può funzionare come un'apertura non automatizzata, una volta sbloccato il motoriduttore come descritto più avanti.

• **Manutenzione:** Come ogni macchinario la vostra automazione ha bisogno di una manutenzione periodica affinché possa funzionare più a lungo possibile ed in completa sicurezza. Concordate con il vostro installatore un piano di manutenzione con frequenza periodica; Nice consiglia un intervento ogni 6 mesi per un normale utilizzo domestico, ma questo periodo può variare in funzione dell'intensità d'uso. Qualunque intervento di controllo, manutenzione o riparazione deve essere eseguito solo da personale qualificato.

• Anche se ritenete di saperlo fare, non modificate l'impianto ed i parametri di programmazione e di regolazione dell'automazione: la responsabilità è del vostro installatore.

• Il collaudo, le manutenzioni periodiche e le eventuali riparazioni devono essere documentate da chi le esegue e i documenti conservati dal proprietario dell'impianto. Gli unici interventi che vi sono possibili e vi consigliamo di effettuare periodicamente sono la pulizia dei vetri delle fotocellule e la rimozione di eventuali foglie o sassi che potrebbero ostacolare l'automatismo. Per impedire che qualcuno possa azionare il cancello, prima di procedere, ricordatevi di sbloccare l'automatismo (come descritto più avanti) e di utilizzare per la pulizia solamente un panno leggermente inumidito con acqua.

• **Smaltimento:** Al termine della vita dell'automazione, assicuratevi che lo smaltimento sia eseguito da personale qualificato e che i materiali vengano riciclati o smaltiti secondo le norme valide a livello locale.

• **In caso di rotture o assenza di alimentazione:** In attesa dell'intervento del vostro installatore o del ritorno dell'energia elettrica, se l'impianto non è dotato di batterie tampone, l'automazione può essere ugualmente utilizzata. Occorre eseguire lo sblocco manuale del motoriduttore (vedere "Sbloccare e bloccare il motoriduttore") e muovere l'anta del cancello manualmente come si desidera.

SBLOCCARE E BLOCCARE MANUALMENTE IL MOTORIDUTTORE

Il motoriduttore è dotato di un sistema meccanico che consente di aprire e chiudere il cancello manualmente. Queste operazioni devono essere eseguite nei casi di black-out elettrico o di anomalie di funzionamento.

IMPORTANTE! – L'operazione di sblocco e blocco del motoriduttore deve avvenire solo quando l'anta è ferma.

Nei modelli reversibili della serie Toona 4-5, per muovere manualmente l'anta del cancello, non è necessario sbloccare il motoriduttore, ma è sufficiente spostare l'anta agendo su quest'ultima con forza.

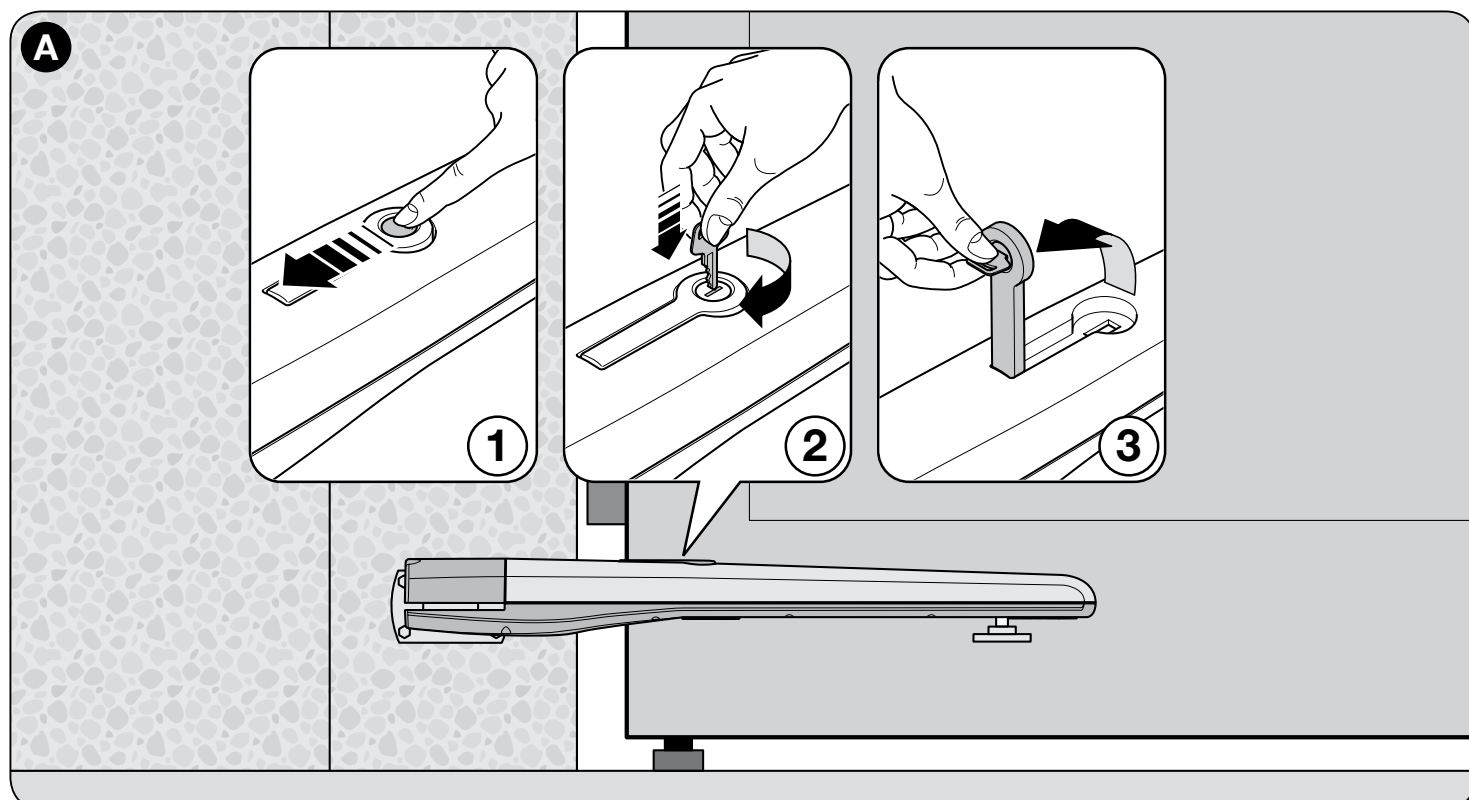
Se nell'automazione è presente l'elettroserratura, prima di muovere l'anta, occorre accertarsi che l'elettroserratura sia sbloccata.

SBLOCCARE manualmente il motoriduttore (fig. A):

01. Far scorrere la membrana di protezione e inserire la chiave facendola ruotare in senso orario;
02. Tirare verso l'alto la maniglia, accompagnandola;
03. A questo punto, muovere manualmente l'anta del cancello nella posizione desiderata.

BLOCCARE manualmente il motoriduttore:

01. Richiudere la maniglia e girare la chiave in senso antiorario;
02. Togliere la chiave e richiudere la membrana di protezione.



Instructions et conseils à l'attention de l'utilisateur du motoréducteur Toona séries 4-5-6-7

Avant d'utiliser pour la première fois l'automatisme, faites-vous expliquer par l'installateur la nature des risques résiduels et consacrez quelques minutes à la lecture de la notice d'utilisation et des conseils pour l'utilisateur qui vous ont été remis par l'installateur. Conservez la notice en cas de doute futur et remettez-la à tout nouveau propriétaire éventuel de l'automatisme.

ATTENTION! – Votre automatisme est une machine qui exécute fidèlement vos commandes; tout usage inconscient et inapproprié peut le rendre dangereux:

– **Ne commandez pas le mouvement de l'automatisme en présence de personnes, animaux ou choses dans son rayon d'action.**

– **Il est absolument interdit de toucher des parties de l'automatisme lorsque la grille ou le portail est en mouvement!**

– **Le transit n'est autorisé que si la grille ou le portail est complètement ouvert et si les vantaux sont à l'arrêt!**

• **Enfants:** une installation d'automatisme assure un haut niveau de sécurité, en empêchant avec ses systèmes de détection tout mouvement en présence de personnes ou choses et en assurant une activation toujours prévisible et sûre. Il est toutefois prudent d'interdire aux enfants de jouer à proximité de l'automatisme et, pour éviter toute activation involontaire, de ne pas laisser les télécommandes à leur portée: ce n'est pas un jeu!

• Le produit ne doit pas être utilisé par des personnes (enfants y compris) dont les capacités physiques, sensorielles ou mentales sont réduites ou bien ne présentant le niveau d'expérience ou de connaissances requis, à moins qu'ils n'aient reçu, par l'intermédiaire d'une personne responsable de leur sécurité, d'une surveillance ou d'instructions ad hoc concernant l'utilisation du produit.

• **Anomalies:** Dès que vous notez un comportement anormal de l'automatisme, mettez l'installation hors tension et effectuez le déverrouillage manuel. N'essayez pas de réaliser vous-même une réparation, mais demandez l'intervention de votre installateur de confiance: entre-temps l'installation peut fonctionner comme une ouverture non auto-

matisée, après avoir déverrouillé le motoréducteur comme cela est décrit plus loin.

• **Entretien:** comme n'importe quelle autre machine, votre automatisme a besoin d'un entretien régulier afin qu'il fonctionne le plus longtemps possible et en totale sécurité. Stipulez avec votre installateur un plan d'entretien périodique; Nice préconise une intervention tous les 6 mois dans le cadre d'un usage résidentiel, mais cette période peut varier en fonction de l'intensité d'utilisation. Toute intervention de contrôle, entretien ou réparation ne doit être effectuée que par un personnel qualifié.

• Même si estimez être en mesure de le faire, ne modifiez pas l'installation et les paramètres de programmation et de réglage de l'automatisme: la responsabilité est de votre installateur.

• L'essai, les entretiens périodiques et les réparations éventuelles doivent être documentées par ceux qui les réalisent et les documents doivent être conservés par le propriétaire de l'installation. Les seules interventions que vous pouvez réaliser et que nous vous invitons à effectuer régulièrement sont le nettoyage des vitres des cellules photoélectriques et l'enlèvement des feuilles ou des cailloux éventuels qui pourraient gêner l'automatisme. Pour empêcher que quelqu'un ne puisse actionner le portail, avant de procéder, rappelez-vous de déverrouiller l'automatisme (comme cela est décrit plus loin) et d'utiliser pour le nettoyage uniquement un chiffon légèrement imbibé d'eau.

• **Élimination:** À la fin de la vie de l'automatisme, assurez-vous que son élimination soit réalisée par un personnel qualifié et que les matériaux soient recyclés ou éliminés conformément aux normes locales en vigueur.

• **En cas de ruptures ou de coupure de l'alimentation:** En l'attente de l'intervention de votre installateur ou du rétablissement de l'alimentation électrique, si l'installation n'est pas équipée de batteries-tampon, l'automatisme peut quand même être utilisé. Il faut pour cela procéder au déverrouillage manuel du motoréducteur (voir "Déverrouillage et verrouillage du motoréducteur") puis bouger le vantail du portail manuellement en fonction des besoins.

DÉVERROUILLAGE ET VERROUILLAGE MANUEL DU MOTORÉDUCTEUR

Le motoréducteur est équipé d'un système mécanique qui permet d'ouvrir et de fermer manuellement le portail. Ces opérations doivent être effectuées en cas de coupure de l'alimentation ou de dysfonctionnements.

IMPORTANT! – L'opération de déverrouillage et verrouillage du motoréducteur ne doit être effectuée que lorsque le vantail est à l'arrêt.

Pour les modèles réversibles de la série Toona 4-5, pour déplacer manuellement le vantail du portail, il n'est pas nécessaire de déverrouiller le motoréducteur mais il suffit de bouger le vantail en poussant avec force celui-ci.

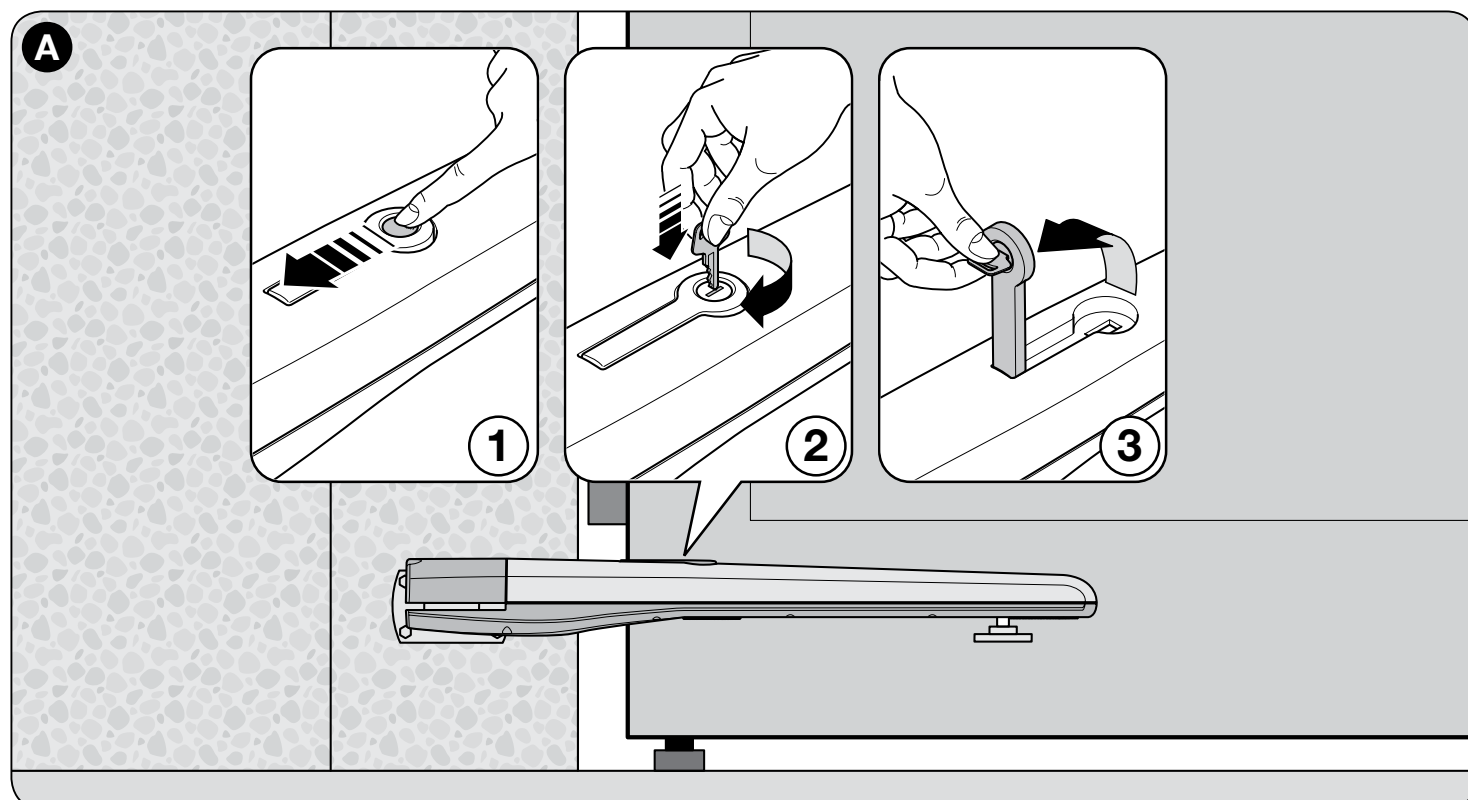
Si l'automatisme est équipé d'une serrure électrique, avant de bouger le vantail, assurez-vous que la serrure électrique soit déverrouillée.

DÉVERROUILLEZ manuellement le motoréducteur (fig. A):

01. Faites coulisser la membrane de protection et introduisez la clé en la faisant tourner dans le sens horaire;
02. Tirez la poignée vers le haut en l'accompagnant;
03. Déplacez ensuite manuellement le vantail du portail dans la position désirée.

VERROUILLEZ le motoréducteur manuellement:

01. Refermez la poignée et tournez la clé dans le sens antihoraire;
02. Enlevez la clé puis refermez la membrane de protection.



Instrucciones y advertencias destinadas al utilizador del motorreductor Toona serie 4-5-6-7

Antes de usar por primera vez el automatismo, haga que el instalador le explique el origen de los riesgos restantes y dedique unos minutos a la lectura del manual de instrucciones y advertencias para el utilizador que el instalador les entregará. Conserve el manual para cualquier duda que pueda surgir en el futuro y entréguelo, en caso de venta, al nuevo propietario del automatismo.

¡ATENCIÓN! – Su automatismo es una maquinaria que efectúa fielmente sus órdenes; un uso inconsciente e impropio puede hacer que sea peligroso:

– **No ordene el movimiento del automatismo si en su radio de acción hay personas, animales o cosas.**

– **¡Se prohíbe tajantemente tocar partes del automatismo mientras la puerta o el portón está en movimiento!**

– **¡Se permite el tránsito solo si la puerta o el portón está completamente abierto con las hojas paradas!**

• **Niños:** una instalación de automatismo garantiza un alto grado de seguridad, impidiendo con sus sistemas de detección el movimiento en presencia de personas o cosas, y garantizando una activación siempre previsible y segura. En cualquier caso es prudente prohibir a los niños que jueguen cerca del automatismo y para evitar activaciones involuntarias no dejar los mandos a distancia a su alcance: ¡no es un juego!

• El producto no está destinado a ser utilizado por personas (niños incluidos) cuyas capacidades físicas, sensoriales o mentales sean reducidas o con falta de conocimiento o experiencia, a menos que éstas hayan podido gozar, a través de la intermediación de una persona responsable de su seguridad, de una vigilancia o de instrucciones relativas al uso del producto.

• **Anomalías:** En cuanto note un comportamiento anómalo por parte del automatismo, quite la alimentación eléctrica a la instalación y efectúe el desbloqueo manual. No intente realizar solo ninguna reparación, solicite la intervención de su instalador de confianza: mientras tanto la instalación puede funcionar como apertura no auto-

matizada, una vez desbloqueado el motorreductor como se describe más adelante.

• **Mantenimiento:** Como cualquier maquinaria, su automatismo necesita un mantenimiento periódico para que pueda funcionar el máximo tiempo posible y en condiciones de completa seguridad. Acuerde con su instalador un plan de mantenimiento con una frecuencia periódica; Nice aconseja una intervención cada 6 meses para una normal utilización doméstica, pero este periodo puede variar en función de la intensidad de uso. Cualquier intervención de control, mantenimiento o reparación debe ser efectuada solo por personal calificado.

• Incluso si considera que lo puede hacer, no modifique la instalación y los parámetros de programación y de regulación del automatismo: la responsabilidad es de su instalador.

• El ensayo, las operaciones de mantenimiento periódicas y las eventuales reparaciones deben quedar documentadas por quien las efectúa y los documentos deben ser conservados por el propietario de la instalación. Las únicas intervenciones que son posibles y que aconsejamos que se efectúen periódicamente son la limpieza de las mirillas de las fotocélulas y la eliminación de hojas o piedras que podrían obstaculizar el automatismo. Para impedir que nadie pueda accionar la puerta, antes de seguir adelante, recuerde que es necesario desbloquear el automatismo (como se describe más adelante) y utilizar para la limpieza solo un paño ligeramente humedecido en agua.

• **Eliminación:** Al final de la vida del automatismo, asegúrese de que la eliminación sea efectuada por personal cualificado y que los materiales sean reciclados o eliminados según las normas válidas a nivel local.

• **En caso de roturas o ausencia de alimentación:** Mientras espera la intervención de su instalador o la vuelta de la energía eléctrica, si la instalación no está dotada de baterías tampón, el automatismo puede utilizarse igualmente. Es necesario efectuar el desbloqueo manual del motorreductor (véase "Desbloquear y bloquear el motorreductor") y mover la hoja de la puerta manualmente como se desee.

DESBLOQUEAR Y BLOQUEAR MANUALMENTE EL MOTORREDUCTOR

El motorreductor está dotado de un sistema mecánico que permite abrir y cerrar la puerta manualmente. Estas operaciones deben ser realizadas en caso de corte de alimentación eléctrica o anomalías de funcionamiento.

¡IMPORTANTE! – La operación de desbloqueo y bloqueo del motorreductor debe realizarse solo cuando la hoja está parada.

En los **modelos reversibles** de la serie Toona 4-5, para mover manualmente la hoja de la puerta, no es necesario desbloquear el motorreductor, basta desplazar la hoja empujándola con fuerza.

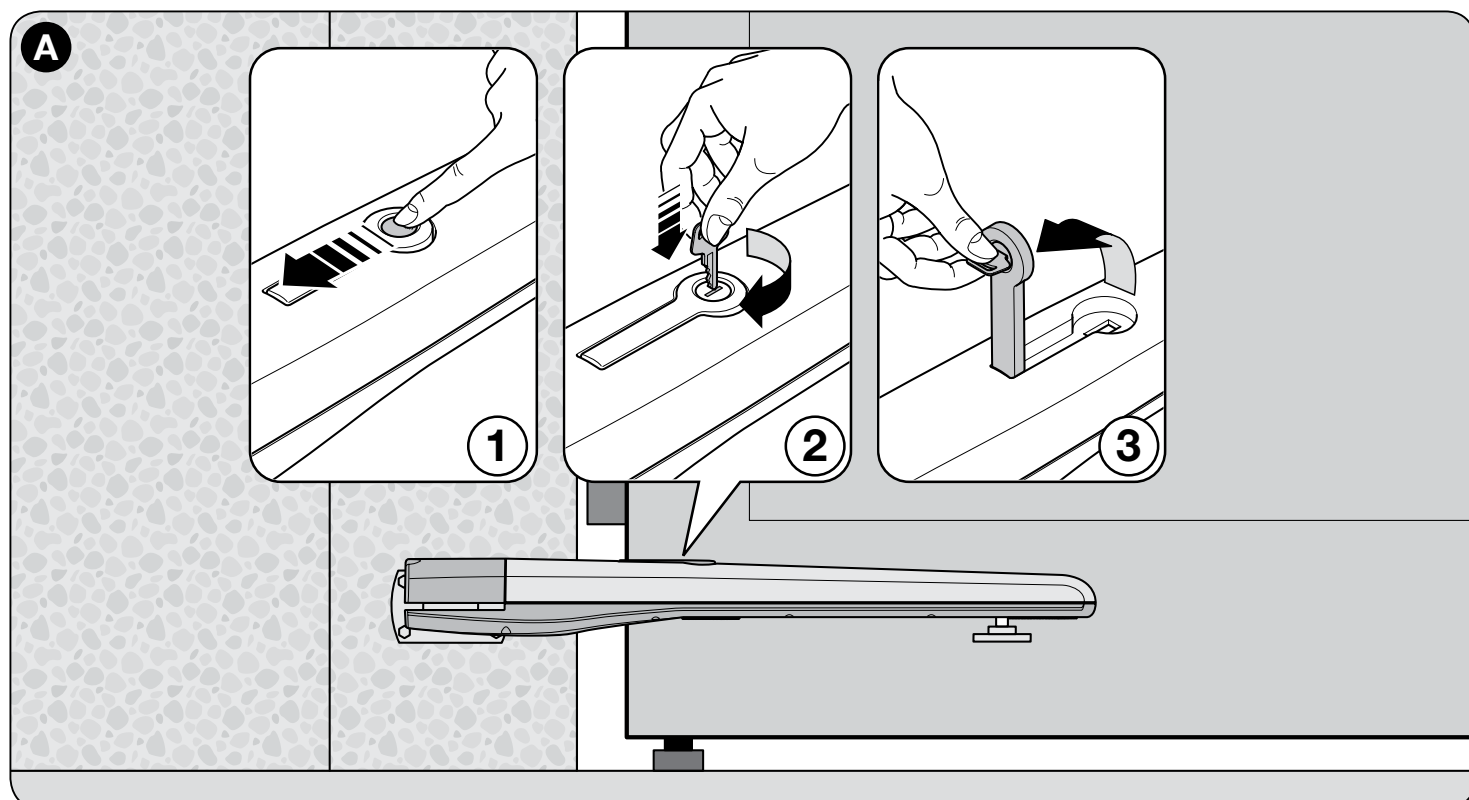
Si en el automatismo tiene un electrocierre, antes de mover la hoja, es necesario asegurarse de que el electrocierre esté desbloqueado.

DESBLOQUEAR manualmente el motorreductor (**fig. A**):

01. Desplace la membrana de protección e introduzca la llave haciéndola girar en sentido horario;
02. Tire hacia arriba el mando, acompañándolo;
03. En este momento, mueva manualmente la hoja de la puerta a la posición deseada.

BLOQUEAR manualmente el motorreductor:

01. Vuelva a cerrar el mando y gire la llave en sentido anti-horario;
02. Quite la llave y vuelva a cerrar la membrana de protección.



Anweisungen und Warnhinweise für den Benutzer des Antriebs mit Untersetzungsgetriebe Toona Serie 4-5-6-7

Bevor Sie die Antriebsautomatik zum ersten Mal benutzen, lassen Sie sich bitte vom Installateur die Quelle der Restrisiken erklären und nehmen Sie sich ein paar Minuten Zeit, um das Bedienungshandbuch für den Benutzer zu lesen, das Ihnen vom Installateur ausgehändigt wurde. Bewahren Sie das Handbuch für alle späteren Zweifelsfälle auf und übergeben Sie es einem eventuellen neuen Eigentümer der Antriebsautomatik.

ACHTUNG! – Ihre Antriebsautomatik ist ein Gerät, das Ihre Steuerungen getreu ausführt. Ein leichtsinniger und unsachgemäßer Gebrauch kann gefährlich werden:

- **Betätigen Sie die Antriebsautomatik nicht, wenn sich in ihrem Aktionsradius Personen, Tiere oder Dinge befinden.**
- **Es ist streng verboten, Teile der Antriebsautomatik zu berühren, während das Tor in Bewegung ist!**
- **Der Durchgang ist nur gestattet, wenn das Tor vollkommen offen ist und die Torflügel stillstehen!**

• **Kinder:** Ein automatischer Antrieb garantiert einen hohen Grad an Sicherheit, da er mit seinen Erkennungssystemen die Bewegung in Anwesenheit von Personen oder Sachen verhindert und eine stets voraussehbare und sichere Betätigung gewährleistet. Vorsichtshalber sollte jedoch Kindern verboten werden, in der Nähe der Antriebsautomatik zu spielen, und die Fernbedienung sollte nicht in ihrer Reichweite gelassen werden, um eine versehentliche Betätigung zu verhindern: Sie ist kein Spielzeug!

• Das Produkt ist nicht dafür bestimmt, von Personen (einschließlich Kindern) mit verminderten körperlichen, sensorischen oder geistigen Fähigkeiten oder mit Mangel an Erfahrung oder Kenntnis benutzt zu werden, es sei denn, sie werden von einer für ihre Sicherheit verantwortlichen Person beaufsichtigt oder zur Benutzung des Produkts angeleitet.

• **Störungen:** Sobald Sie irgendein anomales Verhalten der Antriebsautomatik bemerken, schalten Sie die Stromversorgung der Anlage ab und führen Sie die manuelle Freigabe aus. Versuchen Sie nicht, irgendeine Reparatur selbst vorzunehmen, sondern rufen Sie bitte Ihren Installateur. In der Zwischenzeit kann die Anlage

wie eine nicht automatische Öffnung funktionieren, nachdem der Antrieb wie später beschrieben freigegeben wurde.

• **Wartung:** Wie jede Maschine erfordert Ihre Antriebsautomatik eine periodische Wartung, damit sie so lange wie möglich und vollkommen sicher funktionieren kann. Vereinbaren Sie mit Ihrem Installateur einen Wartungsplan mit regelmäßigen Abständen. Nice empfiehlt bei normalem Hausgebrauch einen Wartungseingriff alle 6 Monate, aber dieser Abstand kann je nach der Gebrauchsintensität variieren. Alle Kontroll-, Wartungs- oder Reparatureingriffe dürfen nur von Fachpersonal vorgenommen werden.

• Auch wenn Sie glauben, dazu in der Lage zu sein, ändern Sie die Anlage und die Programmierungs- und Einstellungsparameter der Antriebsautomatik nicht ab: Die Verantwortung liegt bei Ihrem Installateur.

• Die Abnahmeprüfung, die periodischen Wartungsverfahren und die eventuellen Reparaturen sind vom Ausführenden zu belegen, und die Unterlagen sind vom Eigentümer der Anlage aufzubewahren. Die einzigen Eingriffe, die Sie vornehmen können und zu denen wir Ihnen raten, ist die periodische Reinigung des Glases der Fotozellen und die Beseitigung eventueller Blätter oder Steine, die die Automatik behindern könnten. Um zu verhindern, dass jemand das Tor betätigen könnte, denken Sie bitte vor Beginn der Arbeit daran, die Automatik freizugeben (wie später beschrieben), Verwenden Sie zur Reinigung nur ein leicht mit Wasser angefeuchtetes Tuch.

• **Entsorgung:** Stellen Sie am Ende der Lebensdauer der Antriebsautomatik sicher, dass die Verschrottung von Fachpersonal vorgenommen wird und dass die Materialien gemäß den auf örtlicher Ebene geltenden Bestimmungen recycelt oder entsorgt werden.

• **Im Fall von Bruch oder Strommangel:** In Erwartung des Eingriffs Ihres Installateurs oder der Rückkehr der Stromversorgung, falls die Anlage nicht mit einer Notstrombatterie ausgestattet ist, kann die Antriebsautomatik trotzdem benutzt werden. Dazu ist die manuelle Freigabe des Antriebs auszuführen (siehe "Freigabe und Blockierung des Antriebs") und der Torflügel von Hand zu bewegen, wie gewünscht wird.

MANUELLE FREIGABE UND BLOCKIERUNG DES ANTRIEBS MIT UNTERSETZUNGSGETRIEBE

Der Antrieb mit Untersetzungsgetriebe ist mit einem mechanischen System ausgestattet, das es ermöglicht, das Tor von Hand zu öffnen und zu schließen. Diese Verfahren sind im Falle von Stromausfall oder Betriebsstörungen auszuführen.

WICHTIG! – Das Verfahren zur Freigabe und Blockierung des Antriebs darf nur bei stillstehendem Torflügel erfolgen.

Bei den umsteuerbaren Modellen der Serie Toona 4-5 ist es, um den Torflügel von Hand zu bewegen, nicht erforderlich, den Antrieb freizugeben, sondern es reicht aus, den Torflügel unter Kraftanwendung zu verschieben.

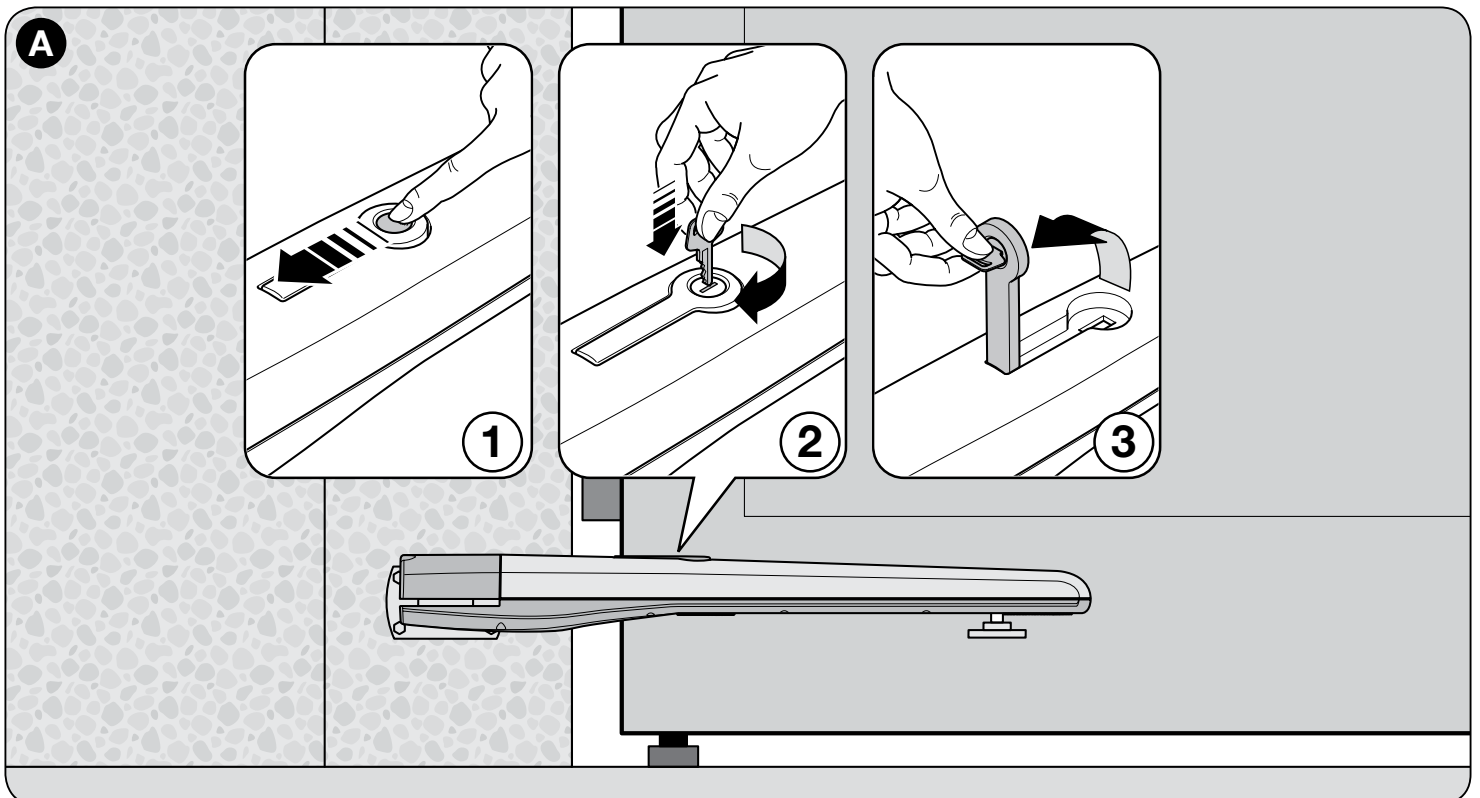
Wenn in der Automatik ein Elektroschloss vorhanden ist, ist vor dem Bewegen des Torflügels sicherzustellen, dass das Elektroschloss freigegeben ist.

Manuelle **FREIGABE** des Antriebs (**Abb. A**):

01. Die Schutzmembran öffnen, den Schlüssel einstecken und im Uhrzeigersinn drehen;
02. Den Griff langsam nach oben ziehen;
03. Den Torflügel von Hand in die gewünschte Position bewegen.

Manuelle **BLOCKIERUNG** des Antriebs:

01. Den Griff wieder schließen, den Schlüssel gegen den Uhrzeigersinn drehen;
02. Den Schlüssel abziehen und die Schutzmembran wieder schließen.



Instrukcje i ostrzeżenia przeznaczone dla użytkownika motoreduktora Toona seria 4-5-6-7

Przed pierwszym użyciem automatu, zapytajcie montażystę o pochodzenie ryzyka szacunkowego i poświęćcie kilka minut na przeczytanie instrukcji obsługi i ostrzeżeń otrzymanych od montażysty. Zachowajcie instrukcję na przyszłość, do wglądu przy każdej ewentualnej niepewności, w razie potrzeby przekażcie ją nowemu właścicielowi automatu.

UWAGA! – Wasz automat jest mechanizmem, który dokładnie wykonuje wasze polecenia; przy niepoprawnym i nieodpowiedzialnym użyciu może być niebezpieczny:

– **Nie zlecać ruchów gdy w zasięgu działania znajdują się osoby, zwierzęta lub rzeczy.**

– **Jest surowo zabronione dotykanie części automatu podczas gdy brama lub drzwi są w ruchu!**

– **Przejście jest dozwolone tylko gdy brama lub drzwi są całkowicie otwarte z zatrzymanymi skrzydłami!**

• **Dzieci:** instalacja automatu zapewnia wysoki stopień bezpieczeństwa, zabraniając, dzięki czujnikom, jakichkolwiek ruchów w obecności osób lub rzeczy i gwarantując przewidywalną i bezpieczną aktywację. Należy jednak zabronić dzieciom zabaw w pobliżu automatu, aby zapobiegać uaktywnieniu automatu, nie pozostawiać pilota w ich zasięgu: nie jest zabawą!

• Produkt nie jest przeznaczony do użycia przez osoby (również dzieci) których możliwości fizyczne, zmysłowe i psychiczne są ograniczone, lub przez osoby z brakiem doświadczenia oraz znajomości, chyba że za pośrednictwem osoby odpowiedzialnej za ich bezpieczeństwo, pod jej nadzorem lub po otrzymaniu instrukcji dotyczących używania produktu.

• **Nieprawidłowości:** Jak tylko zauważycie jakąkolwiek nieprawidłową działalność automatu, odetnijcie zasilanie automatycznej instalacji i wykonajcie ręczne odblokowanie. Nie próbujcie wykonywać napraw, zwróćcie się o pomoc do technika, który zamontował automat: w między czasie instalacja może działać jako nieautomatyczne otwarcie, po odblokowaniu motoreduktora jak opisano dalej.

• **Konserwacja:** Jak każda maszyna wasz automat wymaga okresowej konserwacji

dla jak najdłuższego okresu żywotności i całkowitego bezpieczeństwa. Uzgodnijcie z technikiem montującym plan okresowej konserwacji; Nice zaleca czynności konserwacyjne co 6 miesięcy przy prywatnym użyciu, ten okres może się zmieniać w zależności od częstotliwości użycia. Jakakolwiek czynność kontrolna, konserwacji lub naprawy musi być wykonana przez wykwalifikowany personel.

• Nawet jeżeli waszym zdaniem jesteście w stanie, nie zmieniajcie instalacji i parametrów zaprogramowania oraz regulacji automatu: odpowiedzialny jest technik montujący.

• Próba techniczna, okresowa konserwacja i ewentualne naprawy muszą być udokumentowane przez osobę, która ich dokonuje i takie dokumenty są przechowywane przez właściciela instalacji. Jedyne czynności które możecie wykonywać i zalecamy ich okresowe wykonywanie, to czyszczenie szkiełek fotokomórki i usunięcie ewentualnych liści lub kamieni, które mogą blokować automat. Aby zabronić uruchomienia bramy przez inne osoby, podczas wykonywania tych czynności, pamiętajcie o odblokowaniu automatu (jak opisano poniżej) i używajcie do czyszczenia tylko szmatki zwilżonej wodą .

• **Likwidacja:** Po okresie żywotności automatu, upewnijcie się, czy likwidacja została wykonana przez wykwalifikowane osoby i, że materiały zostaną odzyskane lub zlikwidowane zgodnie z lokalnie obowiązującym prawem.

• **W przypadku zaniku lub braku zasilania:** W oczekiwaniu na zadziałanie waszego montażysty lub przywrócenie energii elektrycznej, jeżeli instalacja nie jest wyposażona w baterię buforową, automat może być używany. Należy ręcznie odblokować motoreduktor (patrz "Odblokowanie i zablokowanie motoreduktora") i ręcznie przesunąć skrzydło bramy do żądanej pozycji.

RĘCZNE ODBLOKOWANIE I ZABLOKOWANIE MOTOREDUKTORA

Motoreduktor jest wyposażony w mechaniczny system, który pozwala na ręczne otwarcie i zamknięcie bramy. Takie czynności muszą być wykonywane w przypadkach black-out elektrycznego lub nieprawidłowości funkcjonowania.

WAŻNE! – Czynność odblokowania i zablokowania motoreduktora musi być wykonywana tylko gdy skrzydło jest nieruchome.

W modelach zmiennych serii Toona 4-5, aby ręcznie poruszyć skrzydło bramy, nie jest konieczne odblokowanie motoreduktora, wystarczy przesunąć skrzydło działając na nie siłą.

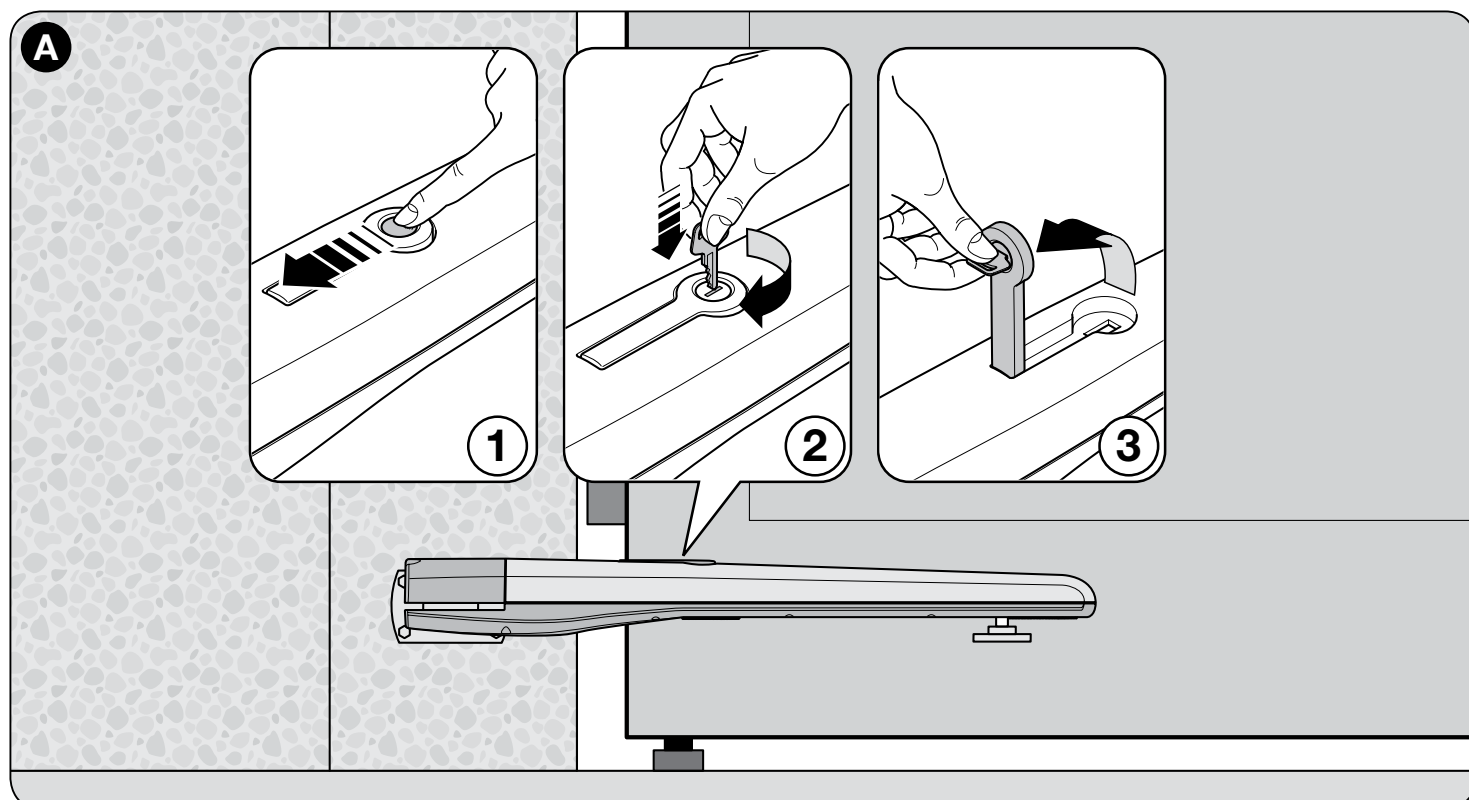
Jeżeli w automacie jest obecny elektrozamek, przed poruszeniem skrzydła, należy upewnić się, czy jest on odblokowany.

ODBLOKOWANIE ręczne motoreduktora (rys. A):

01. Przesunąć membranę ochronną i włożyć klucz przekręcając go w kierunku zegarowym;
02. Pociągnąć uchwyt do góry, towarzysząc mu;
03. W tym momencie, przesunąć ręcznie skrzydło bramy do żądanej pozycji.

ZABLOKOWANIE ręczne motoreduktora:

01. Zamknąć uchwyt i przekręcić klucz w kierunku przeciwnym do zegarowego
02. Wyjąć klucz i zamknąć membranę ochronną.



Instructies en aanwijzingen bestemd voor de gebruiker van de reductiemotor Toona reeks 4-5-6-7

Alvorens voor de eerste keer de automatisering te gebruiken, moet de installatietechnicus de oorsprong van de overblijvende risico's uitleggen. Wijd enkele minuten aan het lezen van de instructiehandleiding en de aanwijzingen voor de klant. De installatietechnicus zal u de handleiding leveren. Bewaar de handleiding voor elke toekomstige twijfel en overhandig hem aan de eventuele nieuwe eigenaar van de automatisering.

OPGEPAST! – Uw automatisering is een machine die op betrouwbare wijze uw bevelen uitvoert. Een onverantwoordelijk en oneigen gebruik kan de installatie gevaarlijk maken:

- **Beveel de verplaatsing van de automatisering niet indien in zijn werkveld personen, dieren of zaken aanwezig zijn.**
- **Het is strikt verboden delen van de automatisering aan te raken terwijl het hekwerk of de poort in beweging is!**
- **De doorgang is enkel toegelaten wanneer het hek of de poort volledig open is, met stilstaande vleugels!**

• **Kinderen:** een automatisering garandeert een hoge veiligheidsgraad. De detectersystemen beletten de verplaatsing in aanwezigheid van personen of zaken. Een veilige en steeds voorzienbare activering is gegarandeerd. Hoe dan ook is het aangeraden de kinderen te verbieden in de nabijheid van de automatisering te spelen. Om ongewenste activeringen te vermijden adviseren we de afstandsbediening niet binnen hun bereik te laten. Het is geen spel!

• Het gebruik van het product is niet bestemd voor fysisch, sensorieel, of mentaal gehandicapten (met inbegrip van kinderen) of personen zonder ervaring of kennis, behalve indien ze door bemiddeling van een persoon, verantwoordelijk voor hun zekerheid, in aanmerking komen voor een begeleiding of instructies i.v.m. het gebruik van het product.

• **Afwijking:** Zodra een afwijking in de automatisering wordt opgemerkt, moet de elektrische voeding van de installatie afgesloten worden en een handmatige deblokkering uitgevoerd worden. Probeer niet reparaties uit te voeren, maar neem contact op met uw installatietechnicus. Ondertussen kan de installatie werken met niet geau-

tomatiseerde opening, eens de reductiemotor gedeblokkeerd werd, zoals verder wordt beschreven.

• **Onderhoud:** Zoals elke machine heeft uw automatisering een regelmatig onderhoud nodig, zodat hij zo lang mogelijk meegaat en in perfecte veiligheid werkt. Bespreek met uw installatietechnicus een onderhoudsplan met regelmatige frequentie. De firma Nice raadt aan bij een normaal gebruik om de 6 maanden een ingreep uit te voeren. Deze periode kan variëren in functie van de gebruikintensiteit. Om het even welke controle-, onderhoud- of herstellingsingreep mag enkel uitgevoerd worden door bevoegd personeel.

• Ook al denkt u hiervoor bevoegd te zijn, mag u nooit de installatie, de programma- en afstellingsparameters van de automatisering wijzigen: de installatietechnicus is hiervoor verantwoordelijk.

• De testen, het regelmatig onderhoud en de eventuele reparaties moeten gedocumenteerd worden door de uitvoerders en de documenten moeten door de eigenaar van de installatie bewaard worden. De enige ingrepen die u wel kunt uitvoeren en die we sterk aanbevelen regelmatig uit te voeren, is het schoonmaken van het glas van de fotocellen en het verwijderen van eventuele bladeren of stenen die de automatisering zouden kunnen belemmeren. Om te beletten dat iemand het hekwerk zou kunnen op gang brengen, moet u alvorens te werk te gaan, de automatisering deblokken (zoals verder beschreven). Gebruik voor het schoonmaken enkel een doek, een weinig bevochtigd met water.

• **Verwijdering:** Op het einde van de levensduur van de automatisering moet u zich ervan verzekeren dat de ontmanteling uitgevoerd wordt door bevoegd personeel en dat de materialen gerecycleerd of verwijderd worden volgens de van kracht zijnde normen in het land van gebruik.

• **Bij stukgaan of bij afwezigheid van voeding:** In afwachting van een ingreep van uw installatietechnicus of tot de elektrische stroom terugkeert en indien de installatie niet van een batterij is voorzien, kan de automatisering toch worden gebruikt. De manuele deblokkering van de reductiemotor moet worden uitgevoerd (zie "deblokken en blokkeren van de reductiemotor") en de vleugel van het hekwerk kan handmatig naar wens bewogen worden.

MANUEEL DEBLOKKEREN EN BLOKKEREN VAN DE REDUCTIEMOTOR

De reductiemotor is voorzien van een mechanisch systeem dat toelaat het hek manueel te openen en te sluiten. Deze handelingen moeten uitgevoerd worden bij een elektrische black-out of afwijkingen in de werking.

BELANGRIJK! – De deblokkering en blokkering van de reductiemotor mag slechts uitgevoerd worden wanneer de vleugels stil staan.

In de omkeerbare modellen van de reeks Toona 4-5 is het niet nodig, om de vleugel van het hek manueel te verplaatsen, de reductiemotor te deblokken. Het zal voldoende zijn de vleugel te verplaatsen door hem te duwen.

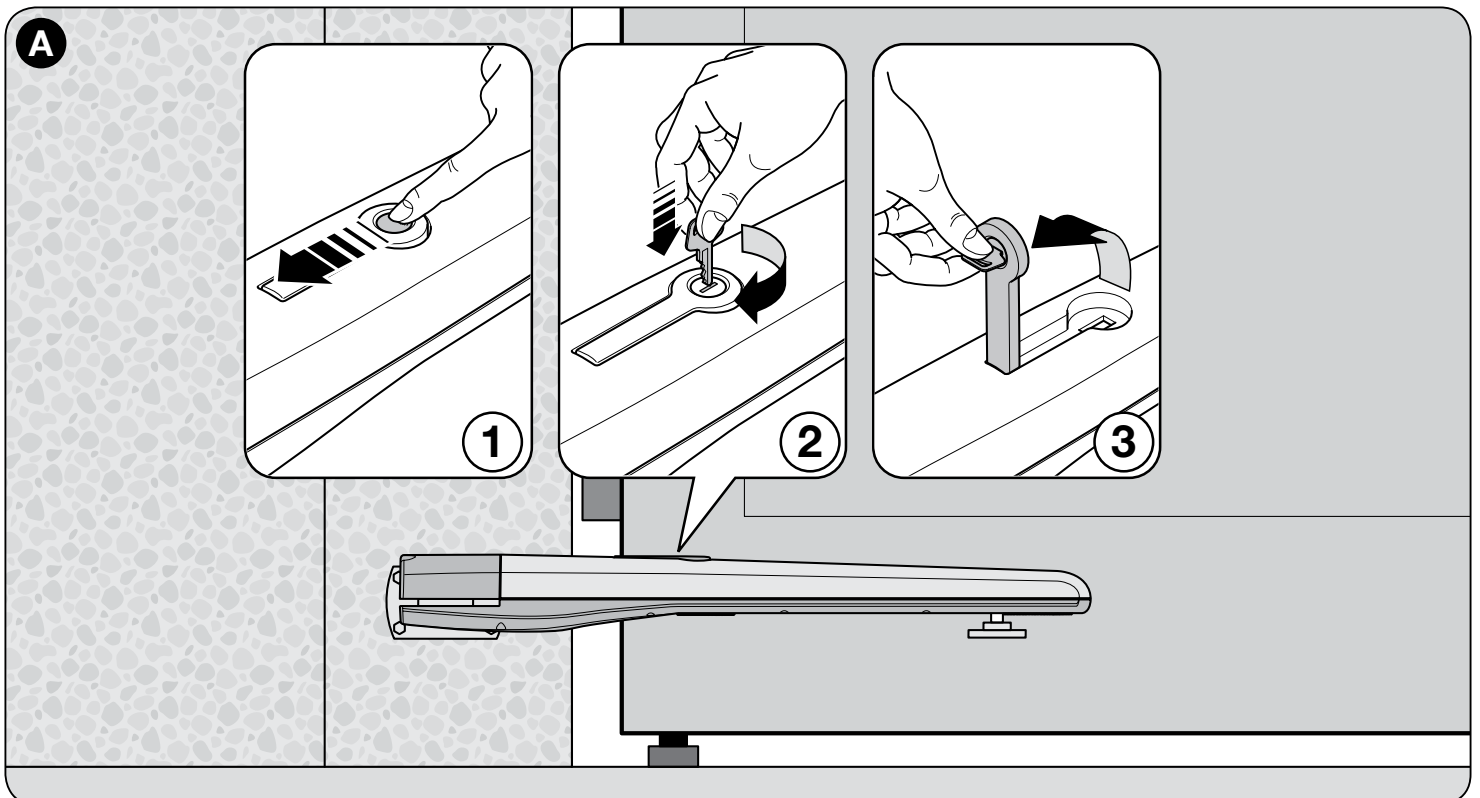
Indien in de automatisering een elektrisch slot aanwezig is, moet u alvorens de vleugel te verplaatsen, u ervan verzekeren dat het elektrische slot gedeblokkeerd is.

DEBLOKKEER manueel de reductiemotor (afb. A):

01. Verschuif het beschermende membraan en voeg de sleutel in. Draai hem met de wijzers van de klok mee.
02. Trek de handgreep naar boven, zonder hem los te laten.
03. Verplaats nu manueel de vleugel van het hek in de gewenste stand.

BLOKKEER manueel de reductiemotor:

01. Sluit de handgreep en draai de sleutel tegen de wijzers van de klok in.
02. Verwijder de sleutel en sluit het beschermend membraan.



Инструкция и предупреждения для пользователя электропривода Тоона серии 4-5-6-7

До использования системы автоматизации в первый раз попросите технического специалиста разъяснить вам, при каких обстоятельствах могут возникнуть остаточные риски, и потратьте несколько минут на чтение инструкции и предупредительных рекомендаций в справочном руководстве пользователя, предоставленном вам техническим специалистом. Сохраните это справочное руководство для дальнейшего использования и, если вы когда-либо решите продать свою систему автоматизации, передайте данное руководство новому владельцу.

ВНИМАНИЕ! Ваша система автоматизации – это устройство, обеспечивающее максимально точное выполнение ваших команд, но безответственная или неправильная эксплуатация системы может привести к многочисленным опасностям:

– **Запрещается включать систему автоматизации, если люди, животные или какие-либо предметы находятся в радиусе работы системы.**
– **Запрещается прикасаться к механизму системы автоматизации во время перемещения створок ворот.**

– **Разрешается въезжать в гараж и выезжать из него, только когда ворота находятся в полностью открытом положении и не перемещаются!**

• Дети: система автоматизации обеспечивает высокий уровень безопасности, поскольку она надежна и безопасна в эксплуатации, и ее детекторные устройства блокируют движение системы, если вблизи находятся люди или предметы. Однако дети не должны играть рядом с ней. Не допускайте случайное использование системы детьми, оставив в их распоряжение пульт дистанционного управления: это не игрушка!

• Данное изделие не предназначено для использования людьми (в том числе и детьми) с ограниченными физическими, умственными способностями и способностями восприятия, и людьми, не обладающими специальным опытом и знаниями, за исключением случаев, когда они получили необходимые инструкции по эксплуатации изделия от людей, отвечающих за их безопасность.

• Неисправности. При обнаружении каких-либо отклонений в функционировании системы немедленно отключите ее от сети и выполните операцию разблокировки вручную. Не пытайтесь произвести ремонтные работы самостоятельно, обратитесь к вашему техническому специалисту: в ожидание ремон-

та система может работать как обычные механические ворота (для этого необходимо выполнить разблокировку двигателя, как это описано далее).

• Техническое обслуживание. Как и для всех остальных устройств, для системы автоматизации требуется регулярное техническое обслуживание, продлевающее ее срок службы и обеспечивающее абсолютную безопасность эксплуатации. Согласуйте с вашим техническим специалистом план технического обслуживания. Компания Nice рекомендует проводить осмотр системы каждые полгода для нормальной бытовой эксплуатации, но этот период может быть изменен в зависимости интенсивности эксплуатации системы. Контроль состояния системы, работы по ее техническому обслуживанию и ремонтные работы должны производиться исключительно квалифицированным персоналом.

• Не вносите изменения в работу системы, не осуществляйте ее перепрограммирование и не вносите изменения в ее параметры, даже если вы думаете, что у вас получится это сделать: ответственность за подобные работы лежит на Вашем техническом специалисте.

• Результаты итоговых испытаний, регулярного технического обслуживания и любых ремонтных работ должны отражаться техническим специалистом в соответствующей документации, которая должна храниться у владельца системы. Единственная работа, которую пользователь может осуществлять самостоятельно, и которую рекомендуется регулярно выполнять, это протирка стекол фотоэлементов и удаление листьев и камней, которые могут препятствовать работе системы автоматизации. Во избежание запуска системы автоматизации ворот перед началом работы разблокируйте систему автоматизации (как описано ниже); протирайте ее только влажной губкой.

• Утилизация. По окончании срока службы система автоматизации должна быть демонтирована квалифицированными специалистами; повторное использование и утилизация материалов должны осуществляться в соответствии с требованиями местного законодательства.

• В случае неисправности системы или при отключении питания. В ожидании прибытия технического специалиста (или возобновления подачи электроэнергии, если в системе не предусмотрены аккумуляторные батареи), система все еще может использоваться. Для этого необходимо произвести операцию разблокировки вручную (см. раздел «Блокировка и разблокировка редукторного двигателя») и при необходимости перемещать створки ворот вручную.

БЛОКИРОВКА И РАЗБЛОКИРОВКА РЕДУКТОРНОГО ДВИГАТЕЛЯ ВРУЧНУЮ

Для редукторного двигателя предусмотрена механическая система, позволяющая открывать и закрывать ворота вручную в период временного отключения электроэнергии или при возникновении неполадок при эксплуатации.

ВАЖНАЯ ИНФОРМАЦИЯ! Блокировка и разблокировка редукторного двигателя должны выполняться, только когда створки ворот находятся в неподвижном состоянии.

Для реверсивных моделей Тоона серии 4 – 5 нет необходимости осуществлять разблокировку редукторного двигателя для перемещения створок ворот вручную. Достаточно переместить створку ворот, приложив определенное усилие.

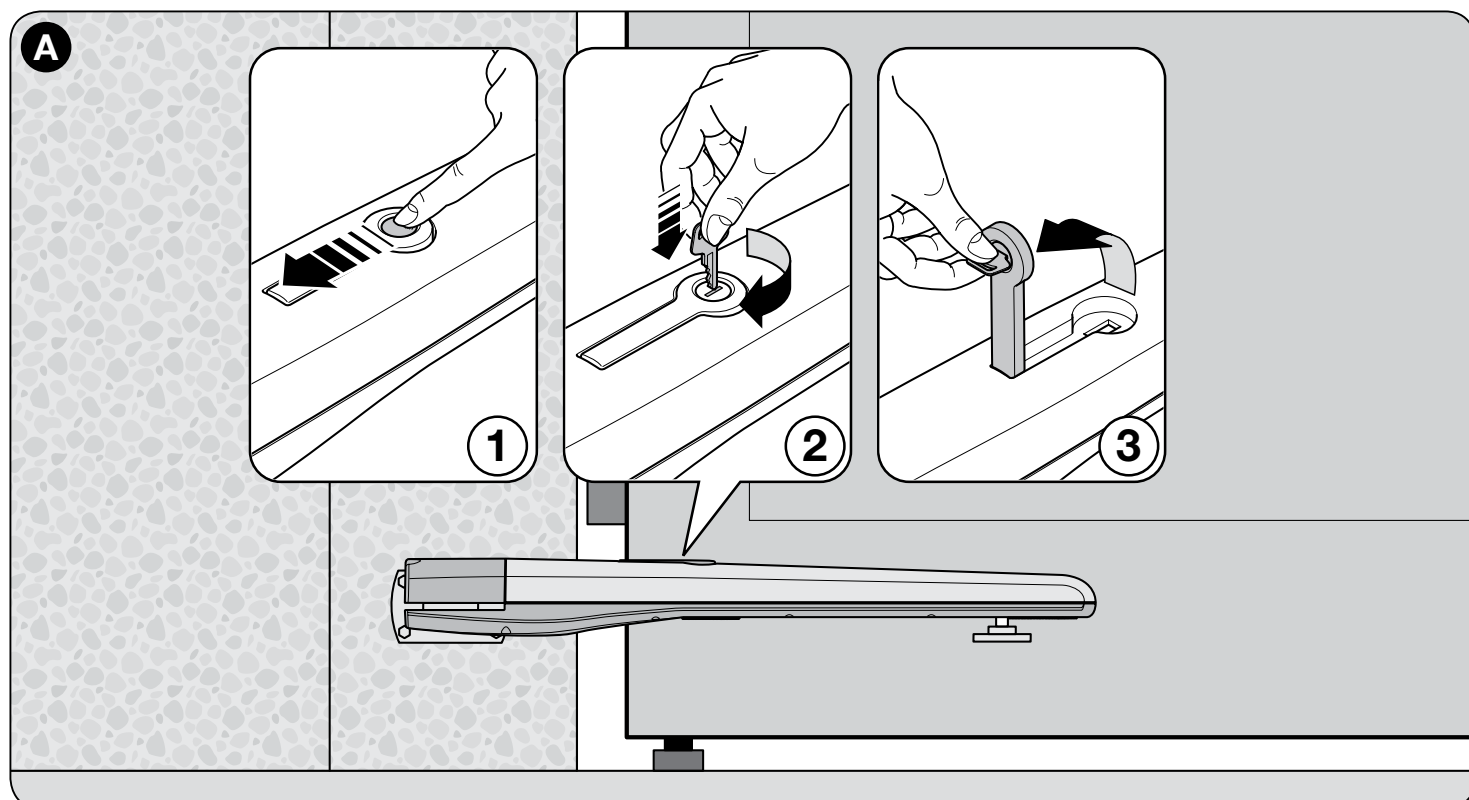
Если для системы автоматизации предусмотрен электромеханический замок, перед перемещением створок ворот убедитесь, что он открыт.

РАЗБЛОКИРОВКА редукторного двигателя вручную (Рис. А):

01. Поверните защитную мембрану, вставьте ключ и поверните его по часовой стрелке;
02. Потяните ручку вверх и одновременно с этим;
03. Вручную переместите створки ворот в требуемое положение.

БЛОКИРОВКА редукторного двигателя вручную:

01. Установите ручку в закрытое положение и поверните ключ против часовой стрелки;
02. Выньте ключ и закройте замочную скважину защитной мембраной.





Nice SpA
Oderzo TV Italia
info@niceforyou.com

www.niceforyou.com