

F007

Fingerprint Access controller

User Manual

Introduction

F007 use the precise electron circuit and good productive technology, which is the metal structure fingerprint & access machine.

This machine uses the most advanced fingerprint identification technology, very safety. Which is the most ideal choose. It is widely used in business affairs organization, office, factory, housing district etc.

This product's programming is done by the infrared remote control keypad or fingerprint manager. This product maximum can store 120 fingerprints. There are 2 fingerprint managers, and each fingerprint has one ID code.

Specifications

Sleeping function

When this machine in stay status, it will auto enter sleep status. This can reduce power dissipation and prolong the machine's use life.

Manager infrared remote control keypad

Users use infrared remote control keypad, when enter the programming mode they can operate as follow:

Changing manager code, Add fingerprints, Delete fingerprints, Delete all fingerprints, release alarm, Setting open door time, Setting release alarm

Manager fingerprint operation function

ID number 1: Manager add fingerprint (can't open door, number 1 is used add users; number 2 is used deleted users)

ID number 2: Manager delete fingerprint

ID number 3~120: users fingerprint

User fingerprint operation function

ID number 3~120: users fingerprint are used open door.

Open door button operation function

This button is used to open the door.

Parma setting function

Open door time: 0~10s, default setting 5s. User can use infrared remote control keypad setting.

Relay out

NC and COM: When power off, the lock is opened.

NO and COM: When power on, the lock is opened.

Manager release alarm

When this machine is in stay status if it was opened, the buzzer will sound consecutive long ring. And it will be kept for 1 minute.

Important information

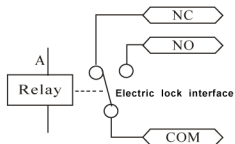
If holes are to be drilled before mounting onto a wall, check for hidden cables and/or pipes before drilling. Use safety goggles when drilling or hammering in cable clips.

Every effort has been made to provide accurate information, however slight variations can occur. We also reserve the right to make changes for product improvement at any time.

Intramural interface circuit

Electric lock interface

This machine use relay, which makes sure this part hasn't any connect. When the lock is opened, the relay closed. The relay put out circuit is 2A.

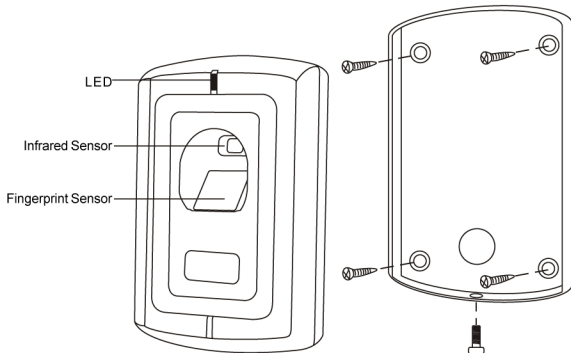


Install, wiring and fixation

1. Drill 4 holes on the wall
2. Thread the cable through cable hole
3. Wiring
4. When wiring completed, attach the rear plate to the wall firmly with at least three flat head screws
5. Plug the cable harness
6. Attach the front cover to the rear plate

Note: Please don't power on before you connect finish.

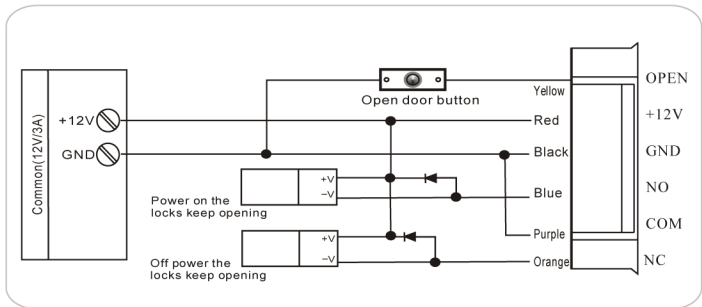
Install diagram



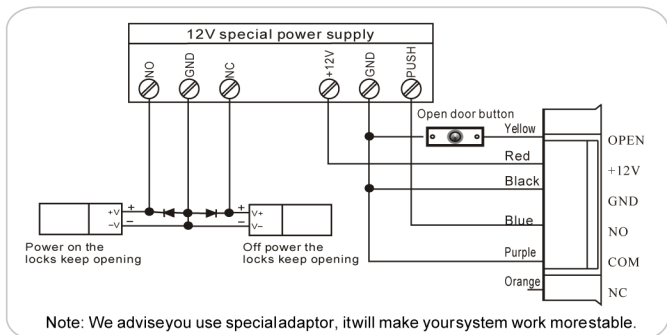
Terminal wire connector function

OPEN	Yellow	Open door button
+ 12V	Red	+12V power input
GND	Black	Gnd
NO	Blue	Relay output NO
COM	Purple	Relay output COM
NC	Orange	Relay output NC

Common powers connects diagram



Special power supply



Power on

When all connections are finished, you can power on. This time the buzzer will give a long ring, and red ledflashing. The machine will enter regular work status.

Operation guide

1 Manager mode (using Infrared remote control keypad)

1.1 Enter programming mode

Press [*] manager password [#]

Manager password: 9999 (factory default setting)

1.2 Changing manager code

In programming mode, Press [0] new password code [#] Repeat new password code [#]

The manager code must be 4 digit number

2 Add and delete Users

There are 3 ways to add and delete user, 1, by keypad; 2, by User ID; 3, by Manager Fingerprint

2.1 By keypad (the most convenient way)

Add User [*] manager password [#] 7 input fingerprint twice [#] *

(to add more than one user, just input finger continuously)

Delete User [*] manager password [#] 8 input fingerprint once [#] *

(to delete more than one user, just input finger continuously)

Note: When add fingerprint, please put the Fingerprint which you will add on the sensor twice, during which the light shines red then turn green, means the Fingerprint is added successfully. when delete users, just input fingerprint once.

2.2 By User ID

To add one user: [*] Manager password [#] 1 ID number [#] Input user Fingerprint twice [#] *

(User ID number can be any digit between 3- 120, but one ID number to one user.)

To add users continuously

[*] Manager password [#] 1 3 [#] 1st User Fingerprint [4] [#] 2nd user fingerprint.....

[N] [#] Nⁿ user fingerprint [#] *

To delete one user:

[*] Manager password [#] 2 ID number - [#] - [#]

To delete users continuously:

[*] Manager password [#] 2 ID number [#] ID number [#] ID number [#] [#] *

2.3 By Manager fingerprints

In programming mode, Press [1] [1] [#] input fingerprint twice [2] [#] input another fingerprint twice [*]

ID number 1: Manager add fingerprint

ID number 2: Manager delete fingerprint

The first Fingerprint: Manager add Fingerprint, it is to add the users

The second Fingerprint: Manager delete Fingerprint, it is to delete users

To add one user:

Press Manager add Fingerprint Input User Fingerprint twice Repeat Manager add Fingerprint

Note: input the user's fingerprint twice, during which the light shines red then turn green, means the Fingerprint is added successfully

To add users continuously

Press ***** **manager's add fingerprint** **1st user fingerprint** **2nd user fingerprint** **3rd user fingerprint** **Nth User Fingerprint** **Manager's add fingerprint**

When add user, the fingerprints ID number will auto add from 3~120.

To delete users

Press **manager's delete fingerprint** **1st user fingerprint** **2nd user fingerprint** **3rd user fingerprint** **Nth User Fingerprint** **Manager's delete fingerprint**

3 Delete all fingerprints

Press ***** **manager password** **#** **2000** **#**

Note: This will delete all fingerprints, including Manager Fingerprint, before this operation you need make sure the data is unuseful.

4 Setting open door time

Press ***** **manager password** **#** **4** **XX** **#**

Note: Open door time is the lock keeps time. XX 0-10s, default setting 5s.

5 Exit programming mode

When the operation is over, you can press ***** to exit from programming mode. If no press but over 1 minute, it will exit from programming mode automatically.

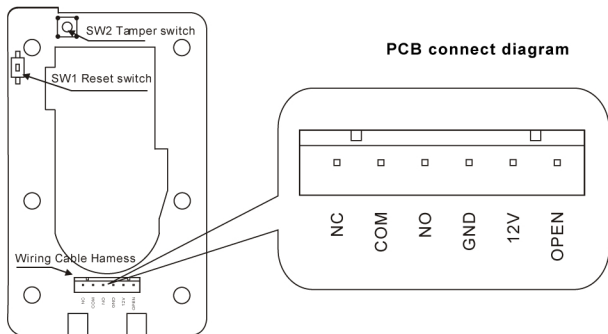
6 Manager release alarm

When this machine is in stay status if it was be opened, the buzzer will sound consecutive long ring. And it

Will be keep on 1 minute. While it in the alarm status you can use either of the follow ways release alarm.

a. Use Infrared remote control keypad, input **alarm release password** **#**
(the release password is the same with manager password.)

b. Use manager fingerprint, press managers' fingerprint, either manager add fingerprint or manager delete fingerprint is ok.



Resetting to factory default setting

Turn off the power, press the reset key (SW1) on the PCB, keep holding it and re-power the device, the F007 will give three short beeps, means reset to factory setting successfully, then move more your finger off from the reset key.

It is to revert all settings to the factory default setting, but the users' data enrolled is safe.

Sounds and light status

Operation Status	Red led	Green led	Blue led	Buzzer
Resetting	Bright	Bright	Goes out	Consecutive short ring
Power on	Slow flashing	Goes out	—	Short ring
Sleeping status	Slow flashing	Goes out	Goes out	—
Stay status	Slow flashing	Goes out	Quickly flashing	—
Voided key	—	—	—	Short ring
Enter programme status	Bright	Goes out	Goes out	Short ring
Programme status	Bright	Goes out	—	—
Input fingerprint instruct	—	—	Quickly flashing	—
Input fingerprint success	Goes out	Bright	—	Long ring
Input fingerprint fail	—	—	—	Three short ring
Exit programming status	—	—	—	Long ring
Open door status	Goes out	Bright	Goes out	Long ring
alarming	Quickly flashing	Goes out	Quickly flashing	Consecutive long ring

Note: '—' means keep plain state.

Technical Specification

Supply Voltage	12VDC \pm 10%
Sleeping Current	<20mA
Stay Current	<100mA
Door Relay	3A
Temperature	-20°C -55°C
Humidity	20%RH-95%RH
Memory capacity	120
Manager quantity	2

User fingerprint quantity	118
Resolution	450 DPI
Fingerprint input time	<1S
Identification time	<2S
FAR	<0.0001%
FRR	<0.01%
Dimensions	115mm \times 70mm \times 35mm
weight	500g

Package Listing

Descriptions	Model no.	Quantity	Remark
Fingerprint & Door Access machine	F007	1	
Infrared remote control keypad		1	
User Manual	F007	1	
Security Screws	• 3mm \times 7.5mm	1	Used for front case and back case
Screw driver		1	
Self tapping screws	• 4mm \times 25mm	4	Used for fixing
Pastern stopper	• 6mm \times 25mm	4	Used for fixing

F007 Simplified Instruction

F007 Simplified Instruction	
Function description	Choose from the relevant functions below and input
Enter the programming mode	*-9999 - #, then you can do the programming (9999 is the default factory master code)
change the master code	0 - new code - #- repeat the new code - # (code: 4 digit)
Add user	7-Fingerprint -repeat Fingerprint- # (can add Fingerprints continuously)
Delete user	8- Fingerprint -# (can delete Fingerprints continuously)
Exit from the programming mode	*
How do release the door	
Fingerprint User	Put the Fingeron the fingerprintsensor for 1second