

DS-7200HQHI-K1(S) SERIES TURBO HD DVR

Key Features

- H.265 Pro+/H.265 Pro/H.265 video compression
- HDTV/AVHD/CVI/CVBS/IP video input
- Audio via coaxial cable
- Up to 6/12/24-ch IP camera inputs (up to 6 MP)
- Max. 800 m for 1080p and 1200 m for 720p HDTV signal transmission
- Up to 10 TB capacity per HDD



Compression and Recording

- H.265 Pro+ can be enabled to improve encoding efficiency and reduce data storage costs
- Full channel recording at up to 4 MP lite resolution

Storage and Playback

- Smart search for efficient playback
- Support the third party cloud storage (Dropbox/Google Drive/Microsoft OneDrive)

Smart Function

- Support multiple VCA (Video Content Analytics) events for both analog and smart IP cameras
- Support 4-ch line crossing detection and intrusion detection; DS-7216HQHI-K1(S) supports 1-ch sudden scene change detection

Network & Ethernet Access

- Hik-Connect & DDNS (Dynamic Domain Name System) for easy network management
- Max. 24/48/96 Mbps incoming bandwidth and output bandwidth limit configurable

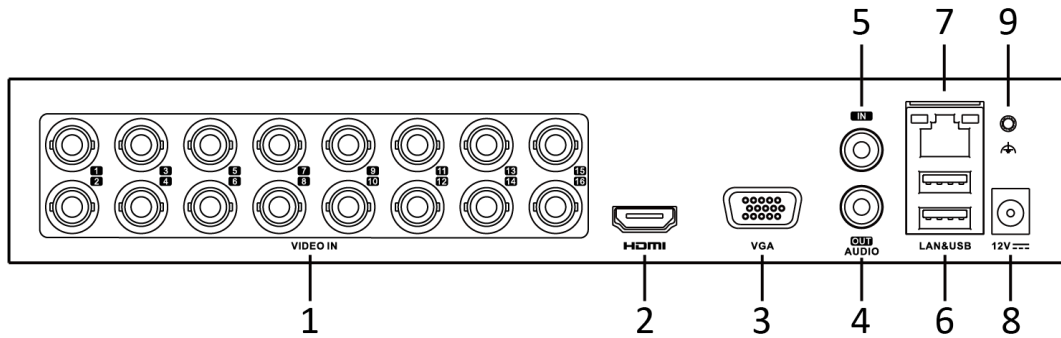


Specification

| Model | DS-7204HQHI-K1(S) | DS-7208HQHI-K1(S) | DS-7216HQHI-K1(S) |
|----------------------------|--|--------------------|--------------------|
| Recording | | | |
| Video compression | H.265 Pro+/H.265 Pro/H.265/H.264+/H.264 | | |
| Encoding resolution | When 1080p lite mode is not enabled: 4 MP lite/3 MP/1080p/720p/VGA/WD1/4CIF/CIF When 1080p Lite mode is enabled: 4 MP lite/3 MP/1080p lite/720p lite/VGA/WD1/4CIF/CIF | | |
| Frame rate | Main stream: When 1080p Lite mode not enabled: For 4 MP stream access: 4 MP lite@15fps; 1080p lite/720p/WD1/4CIF/VGA/CIF@25fps (P)/30fps (N) For 3 MP stream access: 3 MP/1080p/720p/VGA/WD1/4CIF/CIF@15fps For 1080p stream access: 1080p/720p@15fps; VGA/WD1/4CIF/CIF@25fps (P)/30fps (N) For 720p stream access: 720p/VGA/WD1/4CIF/CIF@25fps (P)/30fps (N) When 1080p Lite mode enabled: 4 MP lite/3 MP@15fps; 1080p lite/720p lite/VGA/WD1/4CIF/CIF@25fps (P)/30fps (N) Sub-stream: WD1/4CIF@12fps; CIF@25fps (P)/30fps (N) | | |
| Video bit rate | 32 Kbps to 6 Mbps | | |
| Dual stream | Support | | |
| Stream type | Video, Video & Audio | | |
| Audio compression | G.711u | | |
| Audio bit rate | 64 Kbps | | |
| Video and Audio | | | |
| IP video input | 2-ch (up to 6-ch) | 4-ch (up to 12-ch) | 8-ch (up to 24-ch) |
| | Up to 6 MP resolution | | |
| | Support H.265+/H.265/H.264+/H.264 IP cameras | | |
| Analog video input | 4-ch | 8-ch | 16-ch |
| | BNC interface (1.0 Vp-p, 75 Ω), supporting coaxitron connection | | |
| HDTVI input | 4 MP, 3 MP, 1080p25, 1080p30, 720p25, 720p30 *: The 3 MP signal input is only available for channel 1 of DS-7204HQHI-K1(S), for channel 1/2 of DS-7208HQHI-K1(S), and for channel 1/2/3/4 of DS-7216HQHI-K1(S). | | |
| AHD input | 4 MP, 1080p25, 1080p30, 720p25, 720p30 | | |
| HDCVI input | 4 MP, 1080p25, 1080p30, 720p25, 720p30 | | |
| CVBS input | PAL/NTSC | | |
| CVBS output | N/A | | |

| | | | |
|----------------------------------|--|-------|--|
| VGA output | 1-ch, 1920 × 1080/60Hz, 1280 × 1024/60Hz, 1280 × 720/60Hz, 1024 × 768/60Hz | | |
| HDMI output | 1-ch, 1920 × 1080/60Hz, 1280 × 1024/60Hz, 1280 × 720/60Hz, 1024 × 768/60Hz HDMI and VGA simultaneous output | | 1-ch, 4K (3840 × 2160)/30Hz, 2K (2560 × 1440)/60Hz, 1920 × 1080/60Hz, 1280 × 1024/60Hz, 1280 × 720/60Hz, 1024 × 768/60Hz |
| Audio input | 1-ch, RCA (2.0 Vp-p, 1 KΩ) | | |
| Audio output | 1-ch, RCA (Linear, 1 KΩ) | | |
| Two-way audio | 1-ch, RCA (2.0 Vp-p, 1 KΩ) (using the first audio input) | | |
| Synchronous playback | 4-ch | 8-ch | 16-ch |
| Network | | | |
| Remote connection | 32 | 64 | 128 |
| Network protocol | TCP/IP, PPPoE, DHCP, Hik-Connect, DNS, DDNS, NTP, SADP, NFS, iSCSI, UPnP™, HTTPS, ONVIF | | |
| Network interface | 1, RJ45 10M/100M self-adaptive Ethernet interface | | 1, RJ45 10M/100M/1000M self-adaptive Ethernet interface |
| Auxiliary interface | | | |
| SATA | 1 SATA interface | | |
| Capacity | Up to 10 TB capacity for each disk | | |
| Serial interface | N/A | | |
| USB interface | Rear panel: 2 × USB 2.0 | | |
| Alarm in/out | N/A | | |
| General | | | |
| Power supply | 12 VDC | | |
| Consumption (without HDD) | ≤ 5 W | ≤ 9 W | ≤ 13 W |
| Working temperature | -10 °C to +55 °C (+14 °F to +131 °F) | | |
| Working humidity | 10% to 90% | | |
| Dimension (W × D × H) | 265 × 225 × 48 mm (10.4 × 8.9 × 1.9 inch) | | |
| Weight (without HDD) | ≤ 1.6 kg (3.5 lb) | | ≤ 1.7 kg (3.7 lb) |

Physical Interface



*: The rear panel of DS-7204/7208HQHI-K1(S) provides 4/8 video input interfaces.

| No. | Description | No. | Description |
|-----|--------------------------|-----|-----------------------|
| 1 | VIDEO IN | 6 | USB Interface |
| 2 | HDMI Interface | 7 | LAN Network Interface |
| 3 | VGA Interface | 8 | Power Input |
| 4 | AUDIO OUT, RCA Connector | 9 | GND |
| 5 | AUDIO IN, RCA Connector | | |

Available Model

DS-7204HQHI-K1(S), DS-7208HQHI-K1(S), DS-7216HQHI-K1(S)

Distributed by



Headquarters

No.555 Qianmo Road, Binjiang District,
Hangzhou 310051, China
T +86-571-8807-5998
overseasbusiness@hikvision.com

Hikvision USA
T +1-909-895-0400
sales.usa@hikvision.com

Hikvision Australia
T +61-2-8599-4233
salesau@hikvision.com

Hikvision India
T +91-22-28469900
sales@pramahikvision.com

Hikvision Canada
T +1-866-200-6690
sales.canada@hikvision.com

Hikvision Thailand
T +662-275-9949
sales.thailand@hikvision.com

Hikvision Europe
T +31-23-5542770
sales.eu@hikvision.com

Hikvision Italy
T +39-0438-6902
info.it@hikvision.com

Hikvision Brazil
T +55 11 3318-0050
Latam.support@hikvision.com

Hikvision Turkey
T +90 [216]521 7070- 7074
sales.tr@hikvision.com

Hikvision Malaysia
T +601-7652-2413
sales.my@hikvision.com

Hikvision UK & Ireland
T +01628-902140
sales.uk@hikvision.com

Hikvision South Africa
Tel: +27 (10) 0351172
sale.africa@hikvision.com

Hikvision France
T +33(0)1-85-330-450
info.fr@hikvision.com

Hikvision Kazakhstan
T +7-727-9730667
nikia.panfilov@hikvision.ru

Hikvision Vietnam
T +84-974270888
sales.vt@hikvision.com

Hikvision UAE
T +971-4-4432090
salesme@hikvision.com

Hikvision Singapore
T +65-6684-4718
sg@hikvision.com

Hikvision Spain
T +34-91-737-16-55
info.es@hikvision.com

Hikvision Tashkent
T +99-87-1238-9438
uzb@hikvision.ru

Hikvision Hong Kong
T +852-2151-1761
info.hk@hikvision.com

Hikvision Russia
T +7-495-669-67-99
saleru@hikvision.com

Hikvision Korea
T +82-[0]31-731-8817
sales.korea@hikvision.com

Hikvision Poland
T +48-22-460-01-50
info.pl@hikvision.com

Hikvision Indonesia
T +62-21-2933759
Sales.Indonesia@hikvision.com

Hikvision Colombia
sales.colombia@hikvision.com