

Product Information

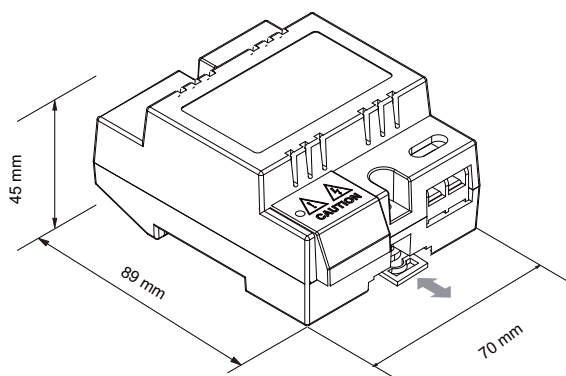
DT Accessories DT-DBC



DESCRIPTION

2-wire system branch controller

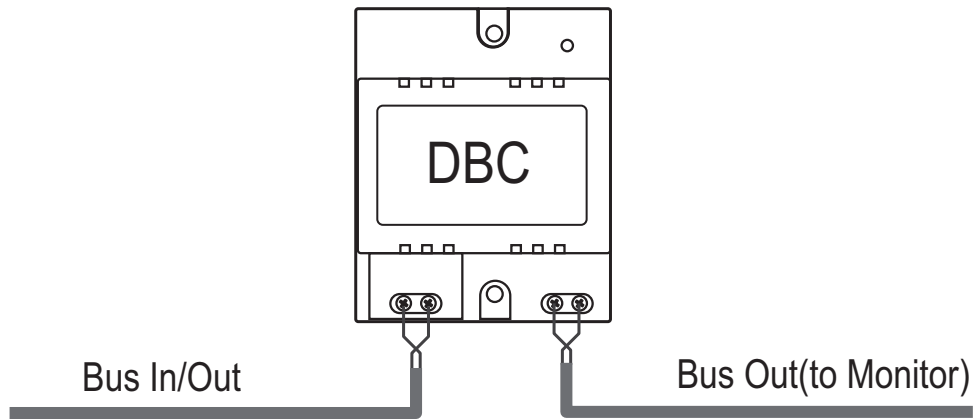
DIMENSION



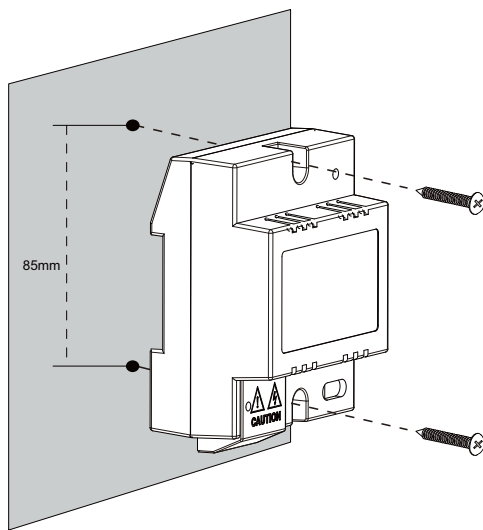
FEATURES

- ▶ For one user and serve as node distributor
- ▶ For setting up new riser
- ▶ 4 DIN modules

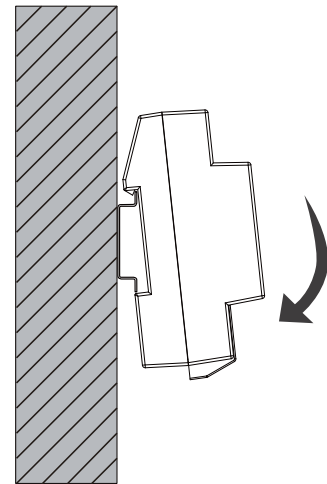
1. Parts and Functions



2. Unit Mounting



Direct Wall Mounting



DIN Rail Mounting

3. Specification

- * Power Supply : DC24V
- * Temperature: $-10^{\circ}\text{C}\sim+40^{\circ}\text{C}$;
- * Wiring: 2 wires (non-polarity);
- * Dimension: 89(H) \times 70(W) \times 45(D)mm

4. Ordering Information

Model No.	Brief Description	Remark
DT-DBC	branch controller	

5. Packing Information

	
<p>Dimensions: 100(H)×85(W)×60(D)mm Gross Weight: 0.13Kg</p>	<p>Carton: 450 (H)×310 (W)×110 (D)mm Quantity: 25PCS</p>