

Four-door One-way Slave Controller

User's Manual

V1.0.0

Trademark

- VGA is the trademark of IBM.
- Windows logo and Windows are trademarks or registered trademarks of Microsoft.
- Other trademarks and company names mentioned are the properties of their respective owners.

About this Document





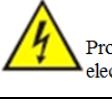



- This document is for reference only. Please refer to the actual product for more details.
- This document serves as a reference for multiple types of products, whose specific operations won't be enumerated. Please operate according to actual products.
- The user shall undertake any losses resulting from violation of guidance in the document.
- In case that PDF document cannot be opened, please upgrade the reading tool to the latest version or use other mainstream reading tools.
- This company reserves rights to revise any information in the document anytime; and the revised contents will be added to the new version without prior announcement. Some functions of the products may be slightly different before and after revision.
- The document may include technically inaccurate contents, inconsistencies with product functions and operations, or misprint. Final explanations of the company shall prevail.

Overview

This document elaborates on structure, installation, interface and wiring of four-door access controller.

Symbol Definition

The following symbols may appear in this document. And their meanings are as follows:

Symbol	Note
 Danger	It indicates a potentially hazardous situation which, if not avoided, could result in death or serious injury.
 Warning	It indicates a moderate or low level of potential danger which, if not avoided, could result in minor or moderate injury.
 Caution	It indicates a potential risk that, if ignored, could result in damage to device, loss of data, degraded performance, or unpredictable results.
 Anti-static	It means electrostatic-sensitive device.
 Protection against electric shock	It means high-voltage danger.
 Laser radiation	It means intensive laser radiation.
 Tip	It means that it can help you to solve some problems or save your time.
 Note	It means the additional information, which is to emphasis or supplement.

Important Safeguards and Warnings

The following description is the correct application method of the device. Please read the manual carefully before use, in order to prevent danger and property loss. Strictly conform to the manual during application and keep it properly after reading.

Operating Requirement

- Please don't place and install the device in an area exposed to direct sunlight or near heat generating device.
- Please don't install the device in a humid, dusty or fuliginous area.
- Please keep its horizontal installation, or install it at stable places, and prevent it from falling.
- Please don't drip or splash liquids onto the device; don't put on the device anything filled with liquids, in order to prevent liquids from flowing into the device.
- Please install the device at well-ventilated places; don't block its ventilation opening.
- Use the device only within rated input and output range.
- Please don't dismantle the device arbitrarily.
- Please transport, use and store the device within allowed humidity and temperature range.

Power Requirement

- Please make sure to use batteries according to requirements; otherwise, it may result in fire, explosion or burning risks of batteries!
- To replace batteries, only the same type of batteries can be used!
- The product shall use electric cables (power cables) recommended by this area, which shall be used within its rated specification!
- Please use standard power adapter matched with the device. Otherwise, the user shall undertake resulting personnel injury or device damage.
- Please use power supply that meets SELV (safety extra low voltage) requirements, and supply power with rated voltage that conforms to Limited Power Source in IEC60950-1. For specific power supply requirements, please refer to device labels.
- Products with category I structure shall be connected to grid power output socket, which is equipped with protective grounding.
- Appliance coupler is a disconnecting device. During normal use, please keep an angle that facilitates operation.

Table of Contents

Legal Statement	I
Preface.....	I
Important Safeguards and Warnings.....	II
1 Overview	1
2 Packing List.....	2
3 Installation Guide.....	3
3.1 System Structure.....	3
3.2 External Dimension.....	3
3.3 Device Installation.....	4
3.4 Disassembly	5
3.5 Wiring Description.....	6
3.5.1 Wiring Description of CAN Bus	7
3.5.2 Wiring Description of Exit Button/Door Sensor.....	7
3.5.3 Wiring Description of External Alarm Input.....	8
3.5.4 Wiring Description of External Alarm Output	9
3.5.5 Wiring Description of Lock	9
3.5.6 Wiring Description of Reader	11
3.6 DIP Switch.....	11
3.7 Reboot	12
Appendix 1 Technical Parameters.....	13

As a slave controller of access master controller, four-door slave access controller is matched with access master controller and is widely used in banks, prisons and safe places.

Its rich functions are as follows:

- Adopt sliding rail type and lock type installation, convenient installation and maintenance.
- Integrate alarm and fire alarm.
- Support 4 sets of card readers.
- Support 9 groups of signal input (exit button *4, door sensor *4 and intrusion alarm *1).
- Support 5 groups of control output (electric lock *4 and alarm output *1).
- With RS485 port, it may extend to connect lift control module, alarm or household control module.
- Support CAN bus and connect master controller.
- FLASH storage capacity is 16M (which may extend to 32M), max supports 20,000 card holders and 30,000 offline records.
- Support illegal intrusion alarm, exit overtime alarm and duress code setup. Also support black-white list and patrol card setup.
- Permanent data storage during outage, built-in RTC (support DST), online upgrading.



Caution

If this product needs to connect external power supply, please use 12V 0.5A adapter and ensure that working temperature shall not exceed $-5^{\circ}\text{C} \sim +55^{\circ}\text{C}$.

2

Packing List

Before installation, please check according to Table 2-1.

No.	Name	Quantity
1	Access controller	1
2	Installation positioning drawing	1
3	Accessory kit (screw, expansion pipe and wiring terminal)	1
4	Quick start guide	1
5	Certificate of qualification	1

Table 2-1

3.1 System Structure

System structure of four-door access controller, door lock and reader is shown in Figure 3-1.

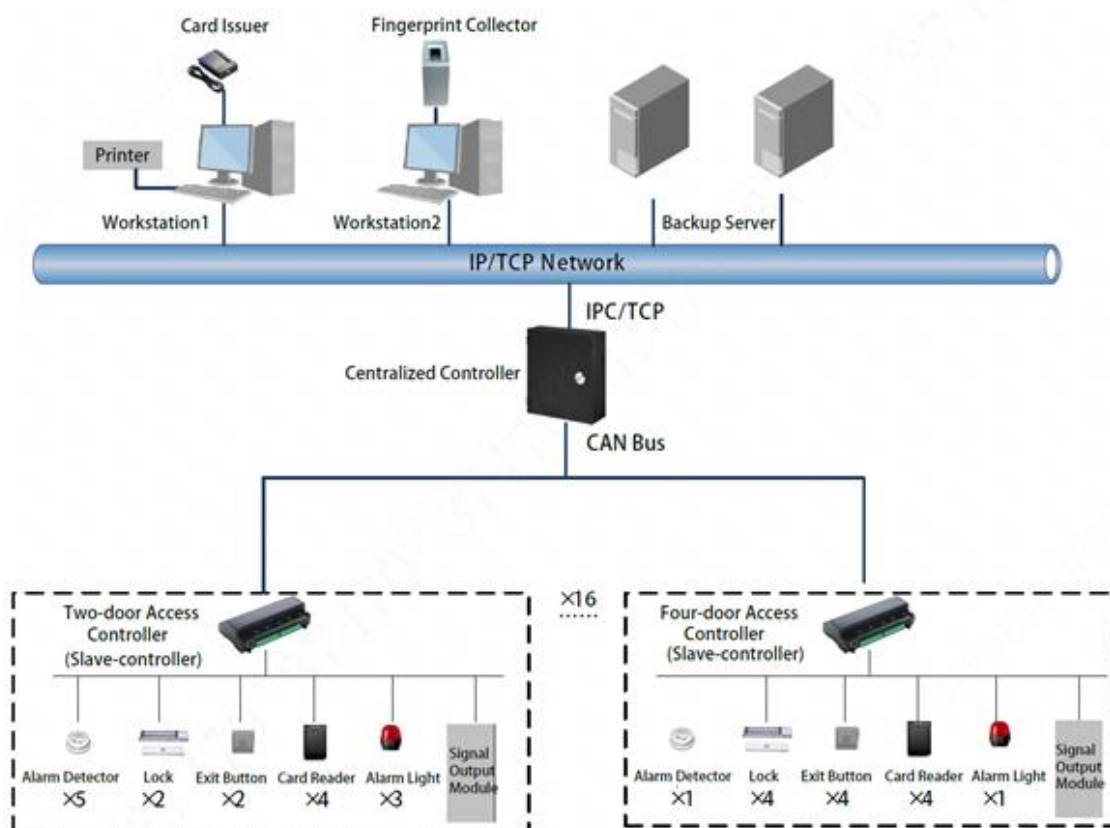


Figure 3-1

3.2 External Dimension

Its appearance and dimension is shown in Figure 3-2 and Figure 3-3. The unit is mm.

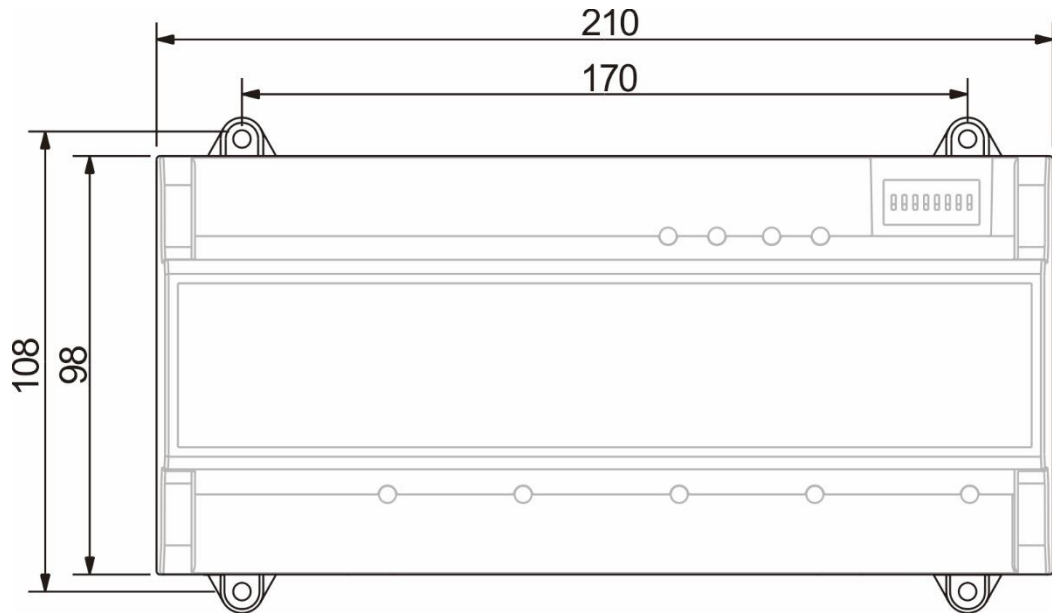


Figure 3-2

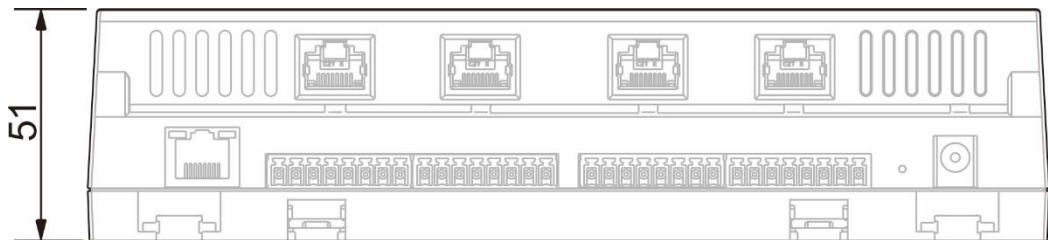


Figure 3-3

3.3 Device Installation

There are two installation modes.

- Mode 1: fix the whole device onto the wall with screws.
- Mode 2: with a rack, fix the whole device onto the wall (the rack is an optional fitting).

Mode 1

Installation diagram is shown in Figure 3-4.

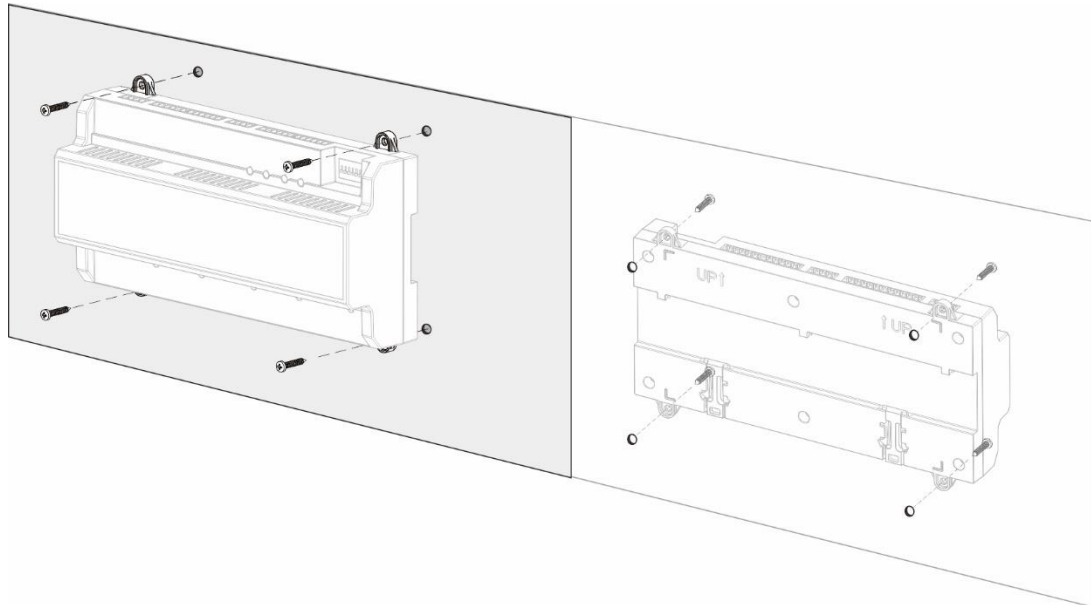


Figure 3-4

Mode 2

Installation diagram is shown in Figure 3-5.

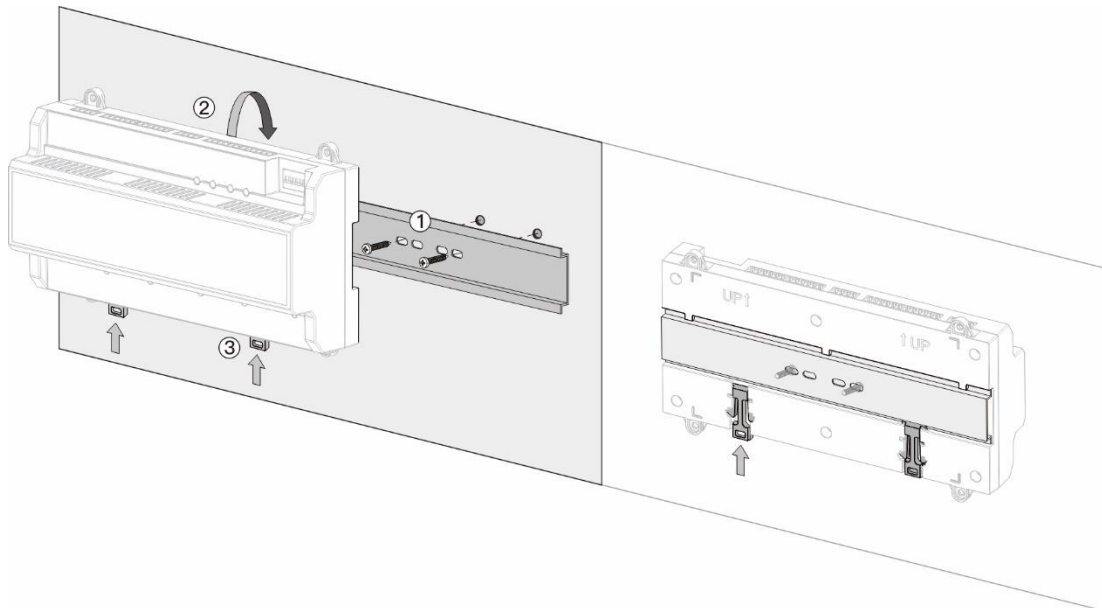


Figure 3-5

Step 1 Fix the rack onto the wall with screws.

Step 2 Buckle the upper rear part of the device into upper groove of the rack.

Step 3 Push the snap joint at the bottom of the device upwards. The installation is completed when you hear the fitting sound.

3.4 Disassembly

If the device is installed with mode 2, please disassemble it according to Figure 3-6.

Align a screwdriver with the snap joint, press it down and the snap joint will pop up, so the

whole device can be disassembled smoothly.

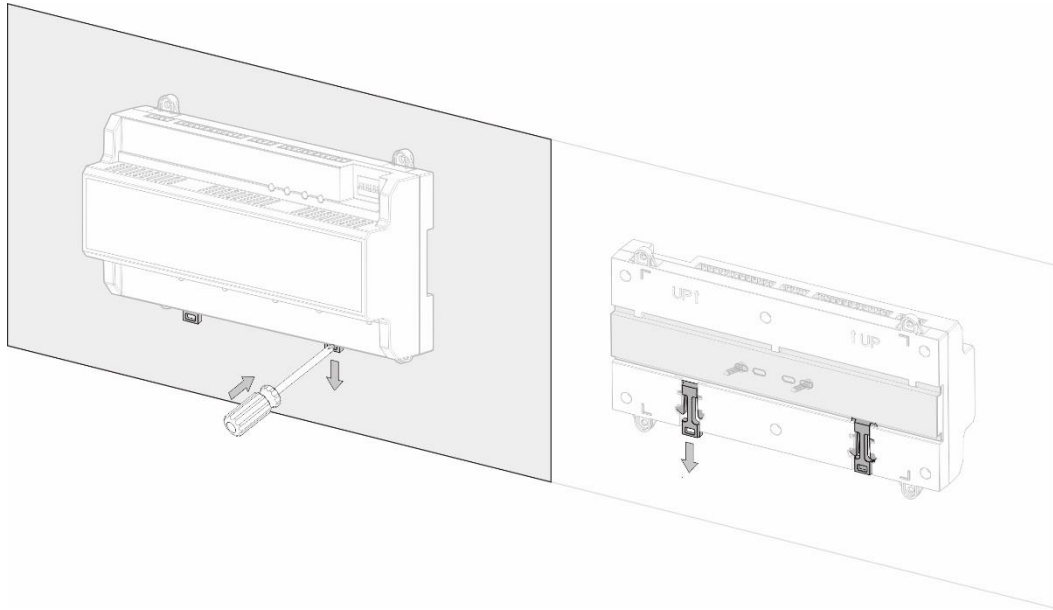


Figure 3-6

3.5 Wiring Description

Device wiring diagram is shown in Figure 3-7.

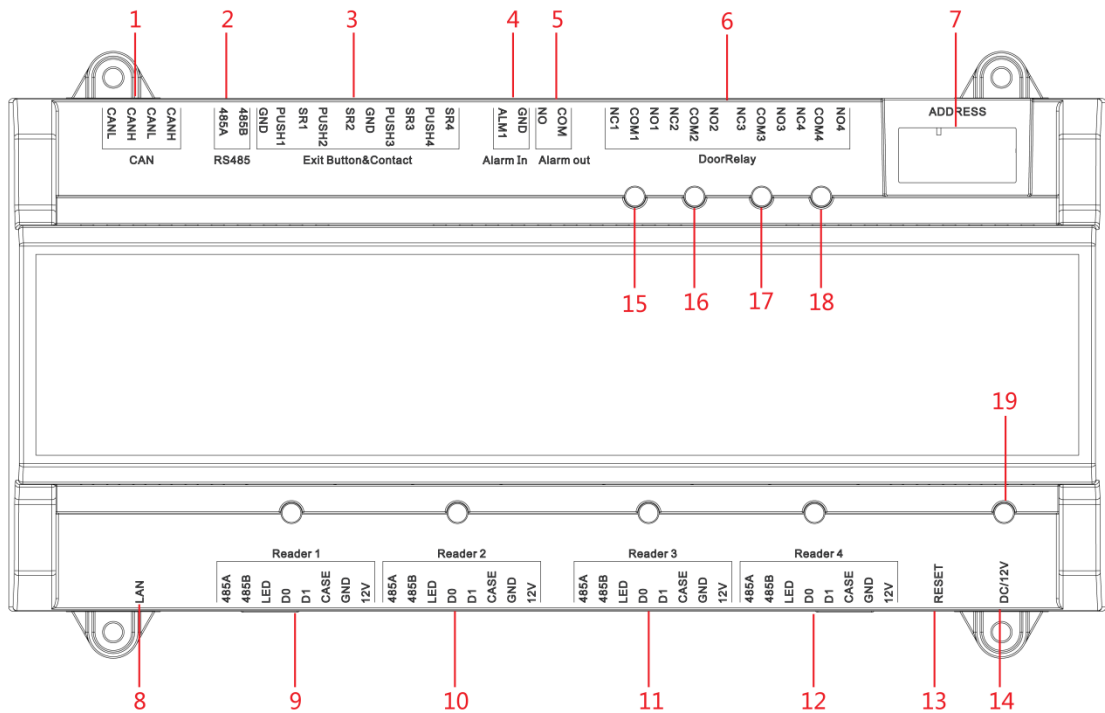


Figure 3-7

Interfaces are described in Table 3-1.

No.	Interface Description	No.	Interface Description
1	CAN bus	8	Not available at present
2	External extension module	9	Reader of door 1

No.	Interface Description	No.	Interface Description
3	Door sensor and exit button	10	Reader of door 2
4	External alarm input	11	Reader of door 3
5	External alarm output	12	Reader of door 4
6	Lock control output	13	Reboot
7	Address code/ transmission rate	14	DC 12V power interface

Table 3-1

Indicator lights are described in Table 3-2.

No.	Description
15	Lock status indicator of door 1~ door 4
16	
17	
18	
19	Power indicator

Table 3-2

3.5.1 Wiring Description of CAN Bus

Wiring terminals of CAN bus are described in Table 3-3.

Interface	Wiring Terminal	Description
CAN bus	CANH	CAN bus input
	CANL	
	CANH	CAN bus output
	CANL	

Table 3-3

3.5.2 Wiring Description of Exit Button/Door Sensor

Corresponding wiring terminals of exit button and door sensor are shown in Figure 3-8. Please refer to Table 3-4 for descriptions of wiring terminals.

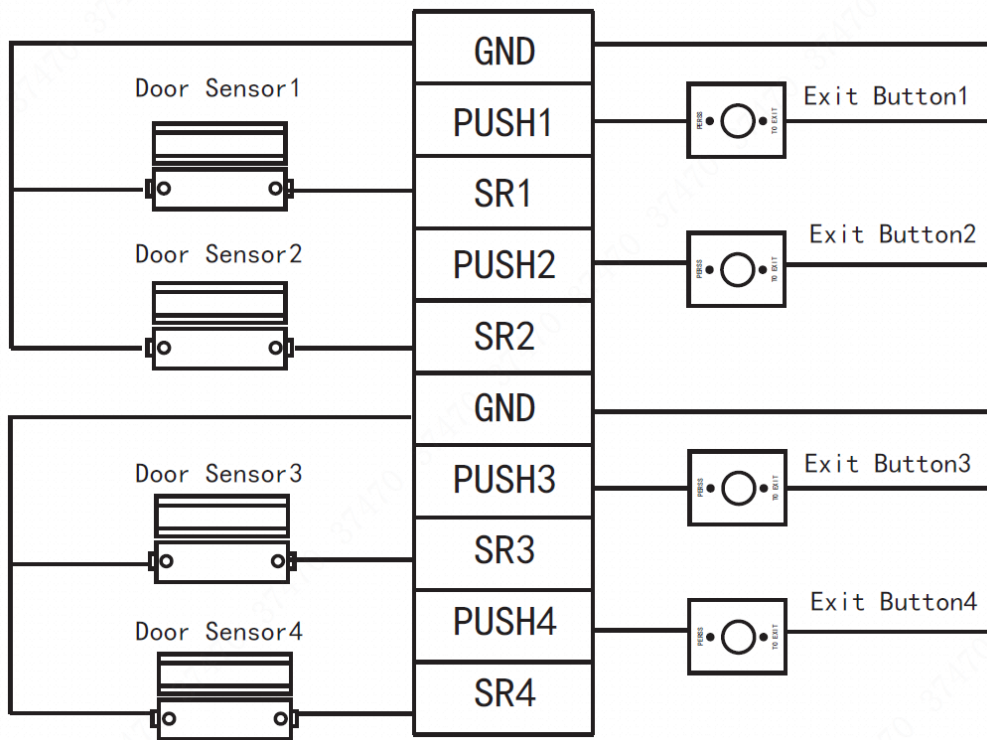


Figure 3-8

Interface	Wiring Terminal	Description
Exit button+ door sensor	GND	Shared by exit button of door 1 and door 2, and door sensor input of door 1 and door 2
	PUSH1	Exit button of door 1
	SR1	Door sensor input of door 1
	PUSH2	Exit button of door 2
	SR2	Door sensor input of door 2
	GND	Shared by exit button of door 3 and door 4, and door sensor input of door 3 and door 4
	PUSH3	Exit button of door 3
	SR3	Door sensor input of door 3
	PUSH4	Exit button of door 4
	SR4	Door sensor input of door 4

Table 3-4

3.5.3 Wiring Description of External Alarm Input

External alarm input connection is shown in Figure 3-9. Please refer to Table 3-5 for descriptions of wiring terminals.

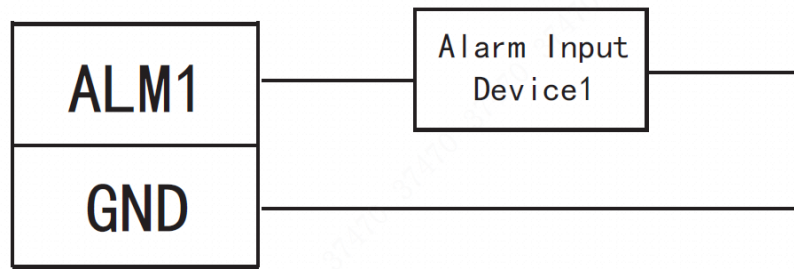


Figure 3-9

Interface	Wiring Terminal	Description
External alarm input	ALM1	External alarm input interfaces are able to connect smoke detector and IR detector etc..
	GND	

Table 3-5

3.5.4 Wiring Description of External Alarm Output

There are two connection modes of external alarm output, depending on alarm device. For example, IPC can use Mode 1, whereas audible and visual siren can use Mode 2, as shown in Figure 3-10 and 错误!未找到引用源。 . Please refer to Table 3-6 for descriptions about wiring terminals.

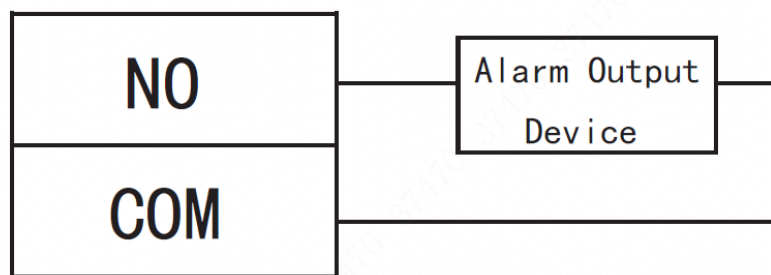


Figure 3-10

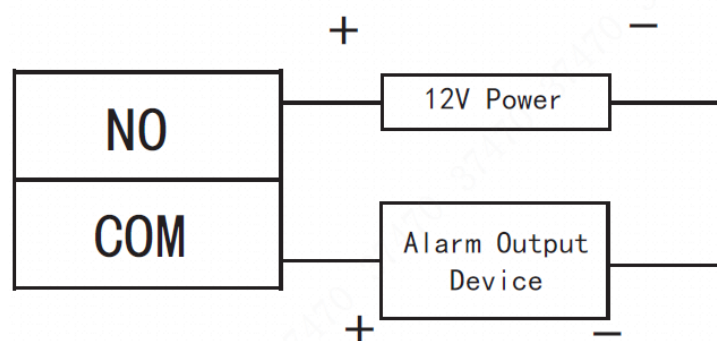


Figure 3-11

Interface	Wiring Terminal	Description
External alarm output	NO	External alarm output interfaces are able to connect audible and visual sirens.
	COM	

Table 3-6

3.5.5 Wiring Description of Lock

Support 4 groups of lock control outputs; serial numbers after the terminals represent corresponding doors. Please choose a proper connection mode according to lock type, as shown in Figure 3-12, Figure 3-13 and Figure 3-14. Please refer to Table 3-7 for descriptions of wiring terminals.

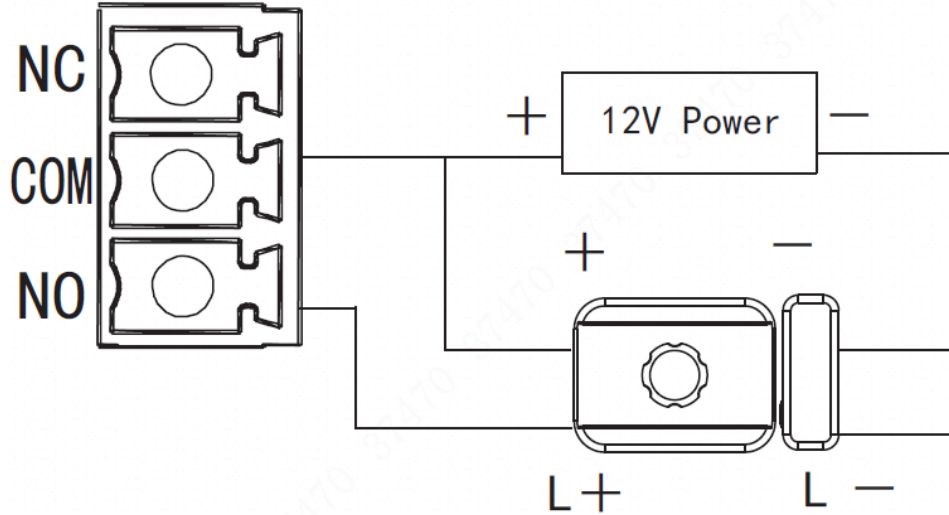


Figure 3-12

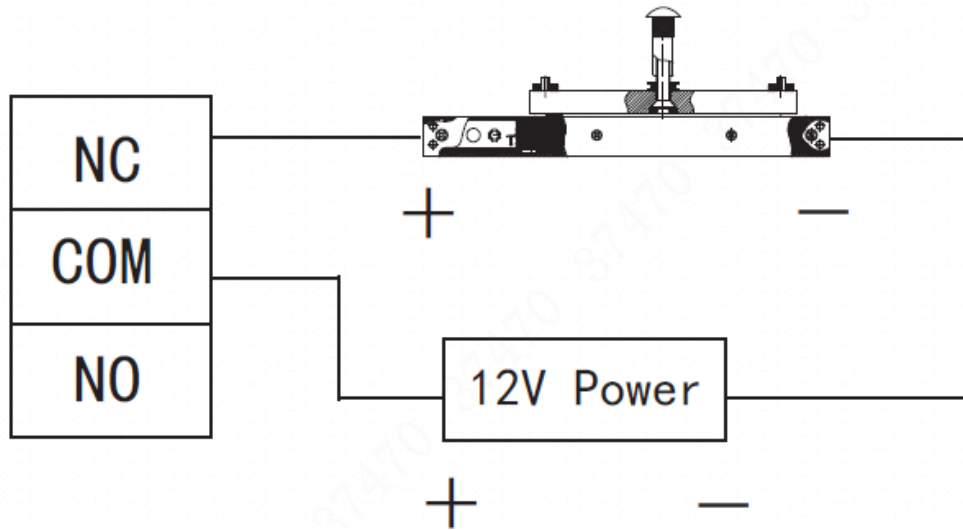


Figure 3-13

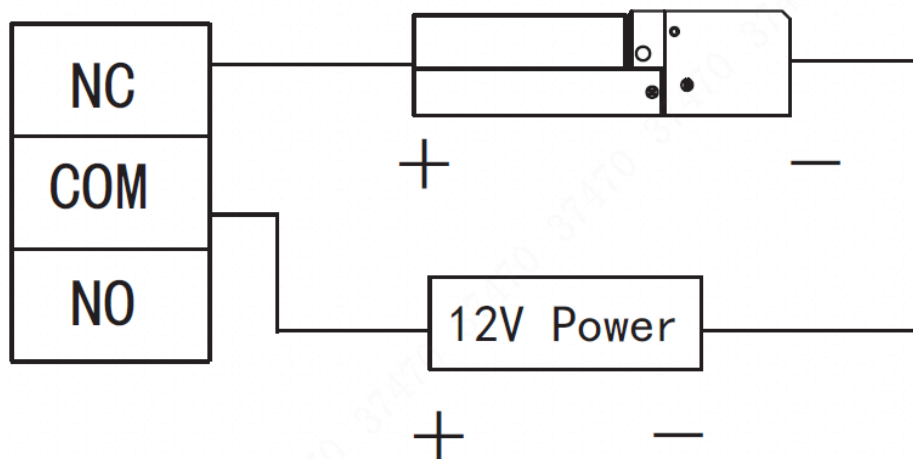


Figure 3-14

Interface	Wiring Terminal	Description
Lock control output interface	NC1	Lock control of door 1
	COM1	
	NO1	
	NC2	Lock control of door 2
	COM2	
	NO2	
	NC3	Lock control of door 3
	COM3	
	NO3	
	NC4	Lock control of door 4
	COM4	
	NO4	

Table 3-7

3.5.6 Wiring Description of Reader



1 door only supports to connect one type of reader—485 or Wiegand.

Please refer to Table 3-8 for descriptions of wiring terminals corresponding to readers. Please refer to Table 3-9 for descriptions of video cable specification and length.

Interface	Wiring Terminal	Cable Color	Description
Entry Reader of Door 1	485+	Purple	485 reader
	485-	Yellow	
	LED	Brown	Wiegand reader
	D0	Green	
	D1	White	
	CASE	Blue	
	GND	Black	Reader power supply
	12V	Red	

Table 3-8


Reader Type	Connection Mode	Length
485 Reader	CAT5e network cable, 485 connection	100m
Wiegand Reader	CAT5e network cable, Wiegand connection	30m

Table 3-9

3.6 DIP Switch

Set device number and speed with DIP switch.

-  the switch is at ON position, meaning 1.

- 
 the switch is at the bottom, meaning 0.

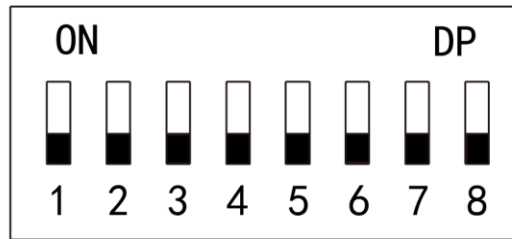


Figure 3-15

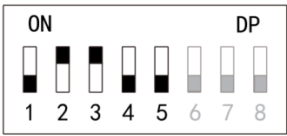
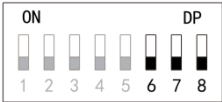
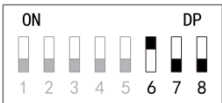
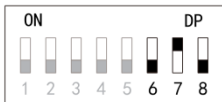

Function	No.	Description
Device Number	1~5	Set device number with binary system. The left is the lowest order. For example:  Binary representation 00110 corresponds to 6 in decimal system.
Speed	6~8	Set the speed. <ul style="list-style-type: none">  All of them are at the bottom transmission speed is 50kb/s.  Only digit 6 is at ON position transmission speed is 80kb/s.  Only digit 7 is at ON position transmission speed is 100kb/s.  Digits 6 and 7 are at ON position transmission speed is 125kb/s.

Table 3-10

3.7 Reboot

Insert a needle into RESET hole, and long press the reboot controller.

Appendix 1 Technical Parameters

Parameter	Specification
Processor	32-bit ARM processor
Storage Capacity	16M
Max User	20,000
Max Record	30,000
Communication Port of Reader	Wiegand,RS485
Communication Port	CAN
Quantity of Connected Reader	4 groups
Working Power	Rated power 10V-15V DC, rated current 0.75A
Real-time Monitoring	Support
Fire Alarm Linkage	Support
Vandal-proof Alarm	Support
Illegal Intrusion Alarm	Support
Unlock Overtime Alarm	Support
Duress Card Setup	Support
DST and Time Sync	Support
Online Upgrading	Support