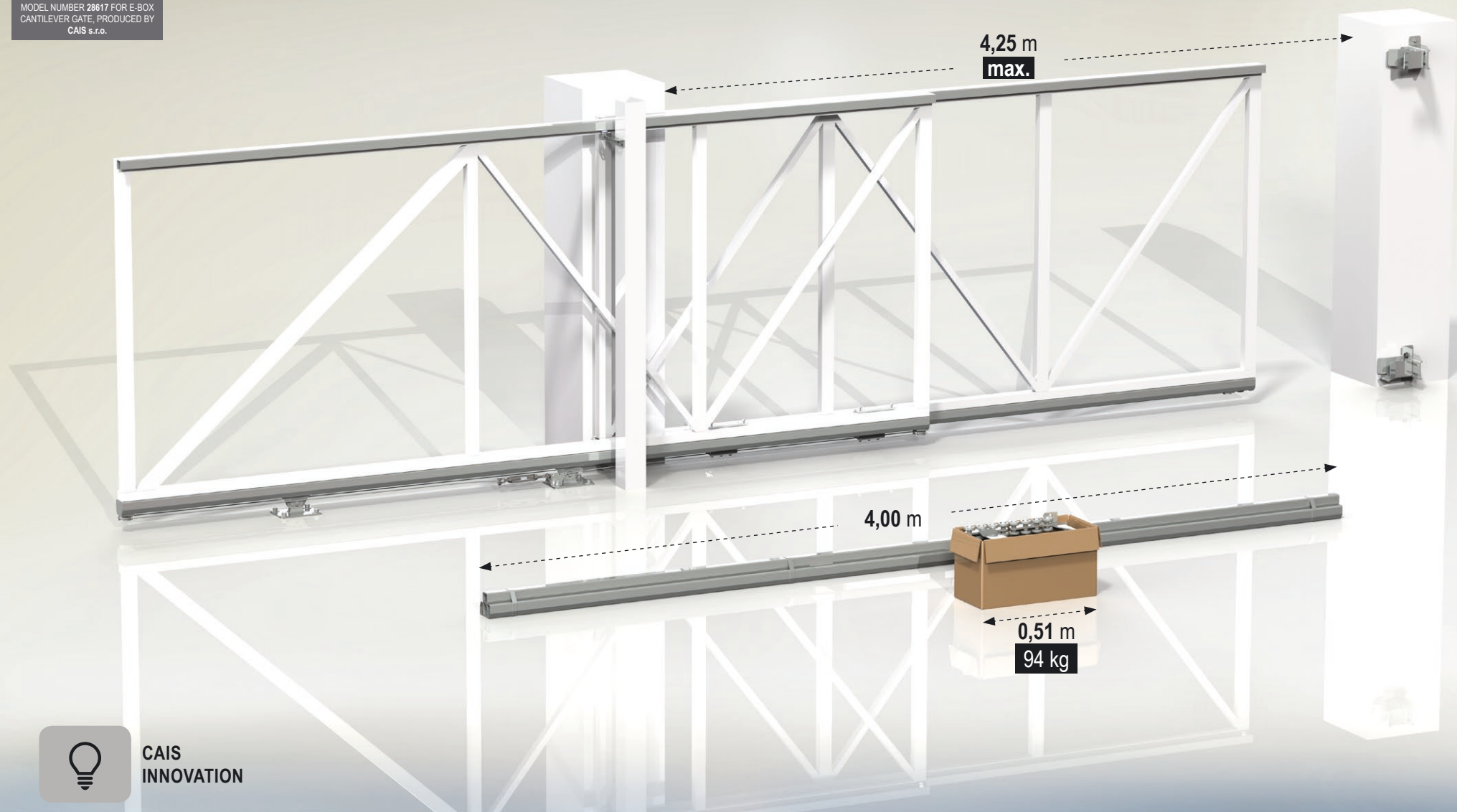


PATENT OFFICE  
PATENTED OFFICE PRIKRYL HAS  
REGISTERED AT INDUSTRIAL  
PROPERTY OFFICE THE UTILITY  
MODEL NUMBER 28617 FOR E-BOX  
CANTILEVER GATE. PRODUCED BY  
CAIS s.r.o.



CAIS  
INNOVATION

**NEW**

CAIS **FOLLOW ME SET 4.25**

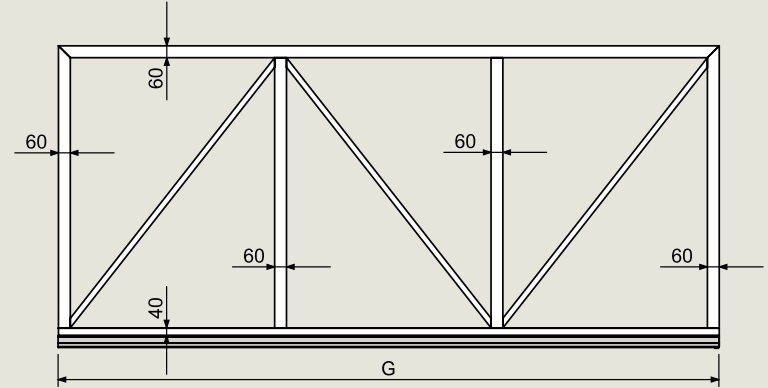
TWINNED TELESCOPIC  
CANTILEVER HARDWARE  
SPACE-SAVING FEATURE

**FOLLOW ME 4.25**

CODE: 1710900

	mm; kg	mm; kg	mm; kg	mm; kg	mm; kg	mm; kg	mm; kg
<b>A</b>	2750	3000	3250	3500	3750	4000	4250
<b>backspace</b>	2722	2930	3138	3347	3555	3763	3972
<b>max. weight gate</b>	325 kg	325 kg	325 kg	325 kg	325 kg	325 kg	325 kg
<b>B</b>	817	900	983	1067	1150	1233	1317
<b>C</b>	1217	1300	1383	1467	1550	1633	1717
<b>D</b>	200	200	200	200	200	200	200
<b>G</b>	2228	2415	2603	2790	2978	3165	3353
<b>H</b>	2622	2830	3038	3247	3455	3663	3872
<b>J</b>	270	270	270	270	270	270	270
<b>K</b>	383	445	508	570	633	695	758
<b>L</b>	4067	4400	4733	5067	5400	5733	6067

Valid for gate frame 60x40



DOUBLE-QUICK TIME GATE OPERATOR CLOSING & OPENING



GALVANIZED INTERNAL EDGES



SPACE SAVING FEATURE - 36% TAILGATE SPACE



«C» TRACK SERIAL NO. 100% COMPATIBILITY CARRIAGE TESTED



EASY ASSEMBLING



GERMAN STEEL WUPPERMANN



TWIN «C» TRACK CANTILEVER SYSTEM



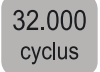
15 + 15 BOLTS  
15 + 15 RIVET NUTS INCLUDED



2ND CANTILEVER LEAF ADJUSTABLE IN 3 AXES



C 2 HIGH QUALITY BEARINGS



32.000 CYCLUS TESTED & PROVEN



CARRIAGES CENTER HOLES MILLED NOT LASERED



HOT DIPPED GALVANIZED



MULTI RIVITED SECTIONS



+ 50°C TESTED & PROVEN



JAPANESE ROBOTICS FANUC



- 37°C TESTED AND PROVEN



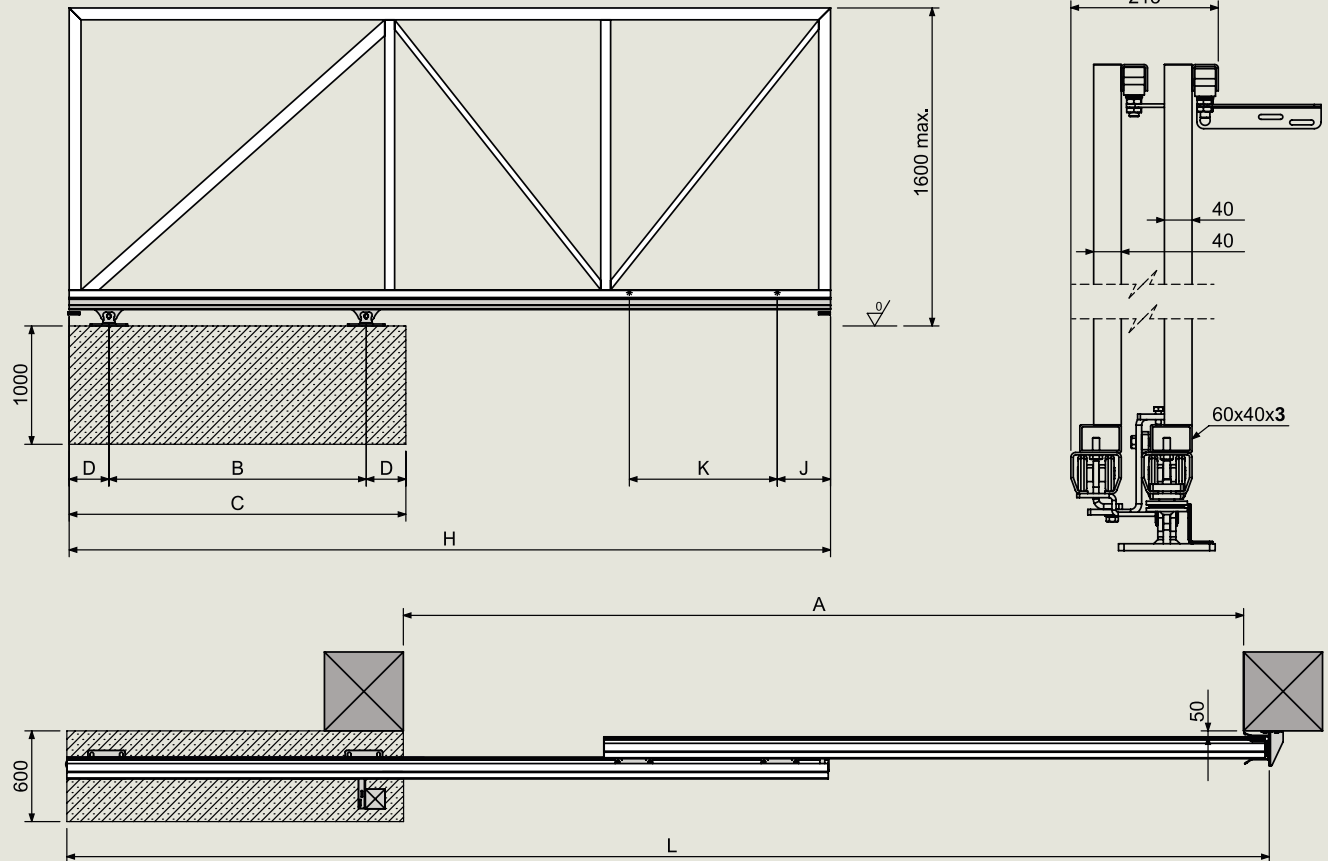
UNIVERSITY OF TECHNOLOGY - BRNO

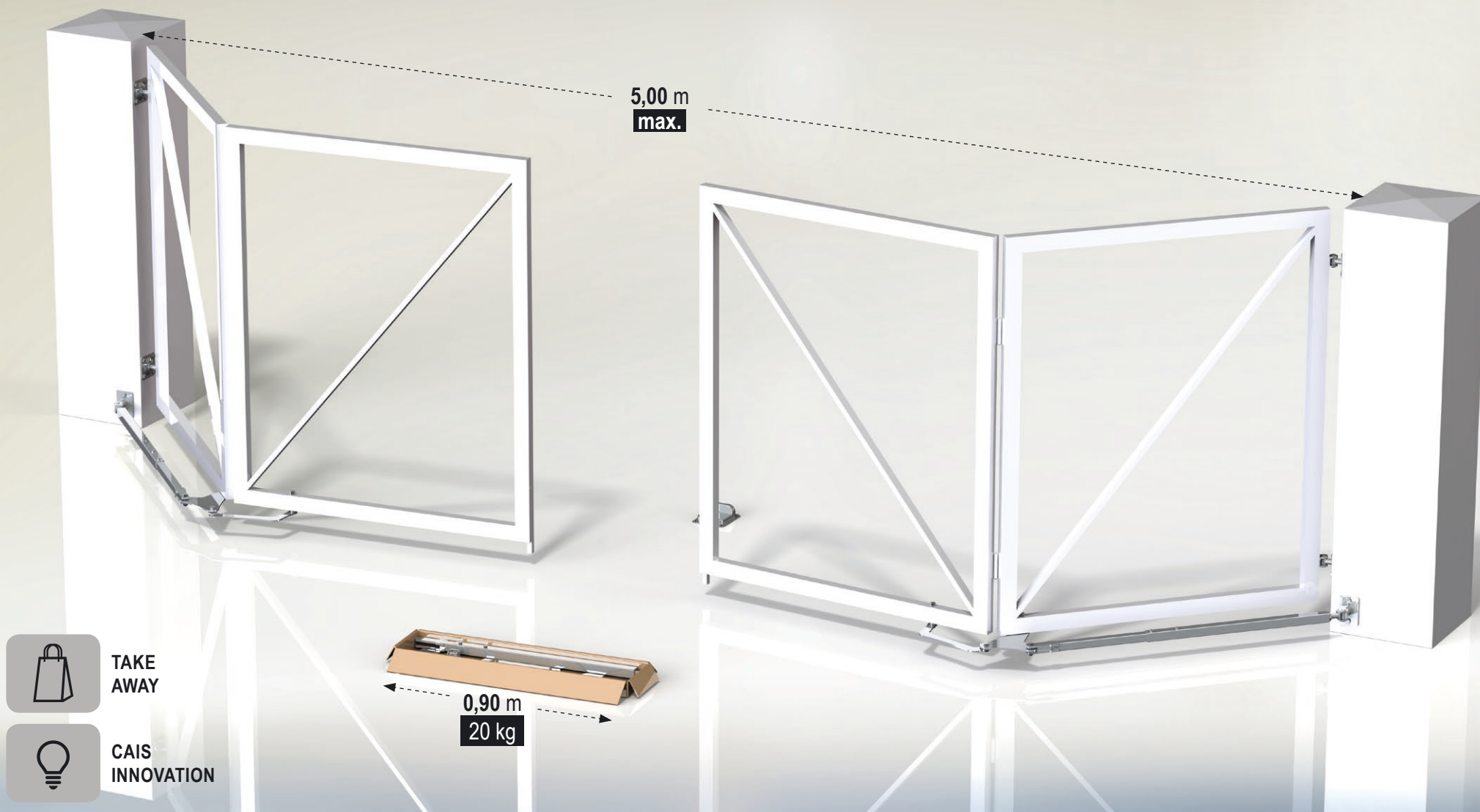


BUILD IN FLYING HOLE PUNCH EVERY 400 mm



MADE IN CZECH REPUBLIC





5,00 m  
max.

0,90 m  
20 kg



TAKE  
AWAY



CAIS  
INNOVATION

**NEW**

 **TWIN DRIVE SET 5.0**

BI-FOLDING SWING GATE HARDWARE  
SPACE-SAVING FEATURE

**TWIN DRIVE 5.0**

BI-FOLDING DOUBLE LEAF  
SWING GATE HARDWARE  
SPACE-SAVING FEATURE  
MAX. 2,5 m SINGLE LEAF  
SINGLE LEAF MAX. 110 kg  
**HINGES NOT INCLUDED**

CODE: 1710901

**TWIN DRIVE 2.5**

BI-FOLDING SINGLE LEAF  
SWING GATE HARDWARE  
SPACE-SAVING FEATURE  
MAX. 2,5 m SINGLE LEAF  
SINGLE LEAF MAX. 110 kg  
**HINGES NOT INCLUDED**

CODE: 1710902



NO WELDING  
NEEDED



BOTTOM FIXED LEAF  
SAFETY FEATURE



SPACE SAVING  
FEATURE  
- 50% BACK SPACE



COMPACT  
PACKAGE



EASY  
ASSEMBLING



EASY  
TRANSPORT



FAST  
NO WELDING



FOR RESIDENTIAL  
USE ONLY



EASY TELESCOPIC  
ADJUSTMENT



TAKE  
AWAY



SUITABLE FOR  
ASYMMETRIC LEAFS  
100% + 50%



HIGH QUALITY  
GUARANTEED



SUITABLE FOR  
ALL STANDARD HINGES  
WITH SINGLE AXEL



CAIS  
INNOVATION



WIND RESISTANCE  
MAX. 50%  
LEAF CLOSURE



90° MAX. ANGLE



SUITABLE FOR  
ALL STANDARD  
SWING GATE  
OPERATORS



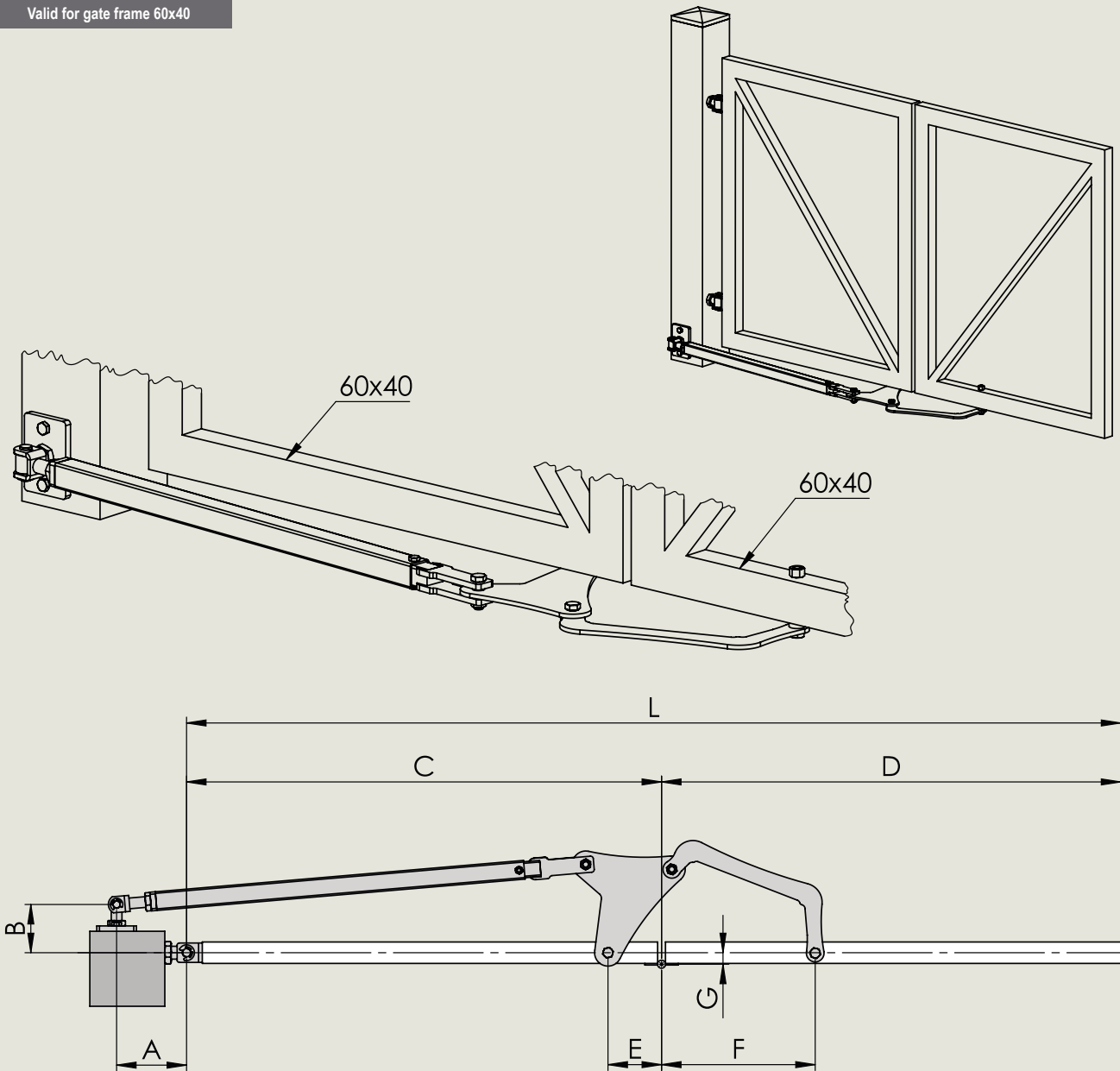
- 37°C  
TESTED & PROVEN



+ 50°C  
TESTED & PROVEN

L max.	A	B	C min. / max.	D min. / max.	E	F
2500	130	90	850 - 1250	300 - 1250	100	250

Valid for gate frame 60x40





TAKE  
AWAY



CAIS  
INNOVATION

**NEW**

 **CHEVRON SET 2.5**

SWING GARAGE DOOR HARDWARE

CHEVRON 2.5		CODE: 1710903
L max.	H max.	MAX. CAPACITY DOOR
mm		kg
2500	2500	220



CAIS  
INNOVATION



TAKE  
AWAY



EASY  
TRANSPORT



SUITABLE FOR ALL  
STANDARD GARAGE  
DOOR OPENERS



EASY  
ASSEMBLING



FAST  
NO WELDING



FOR RESIDENTIAL  
USE ONLY



+ 50°C  
TESTED & PROVEN



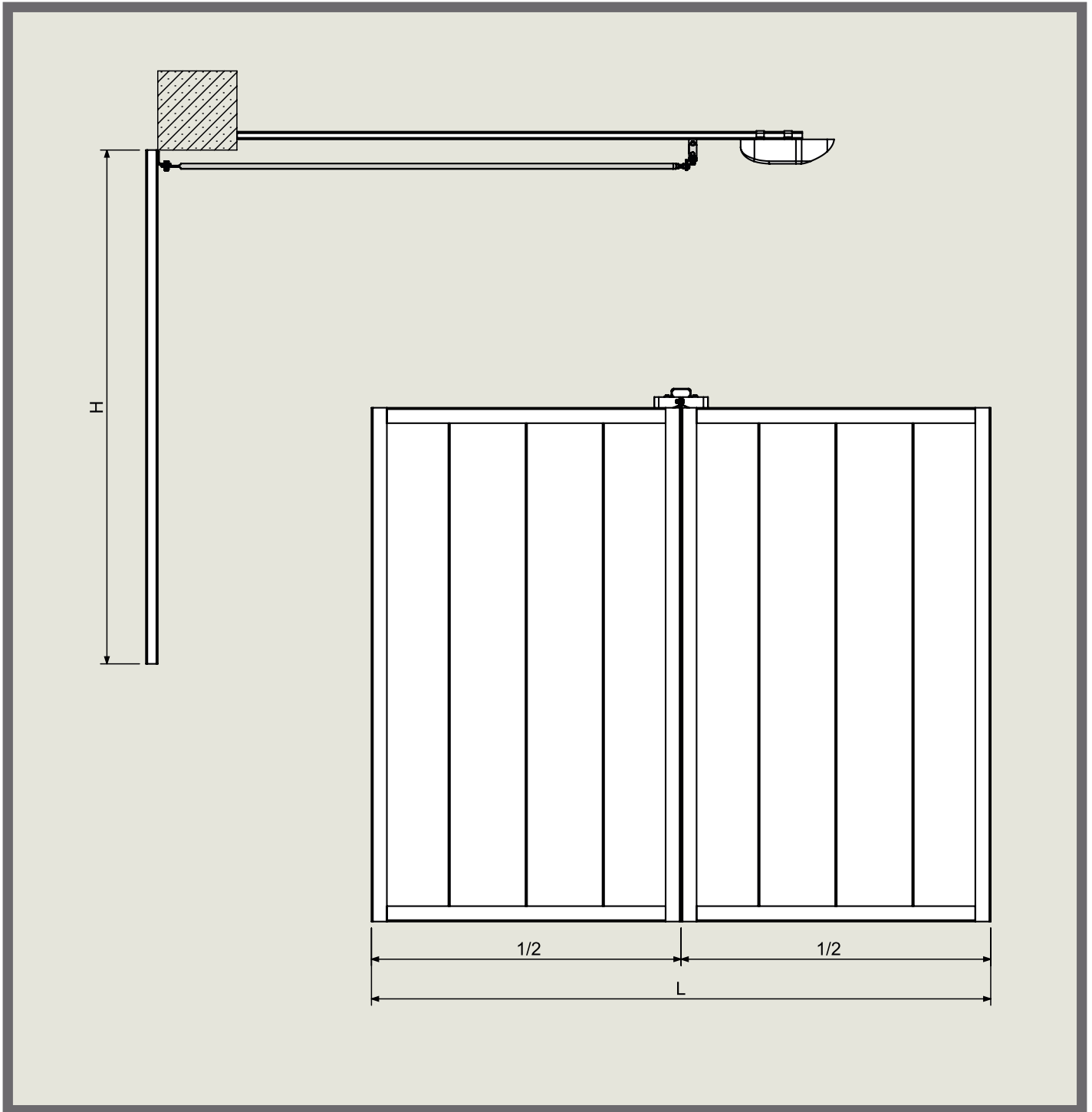
- 37°C  
TESTED & PROVEN

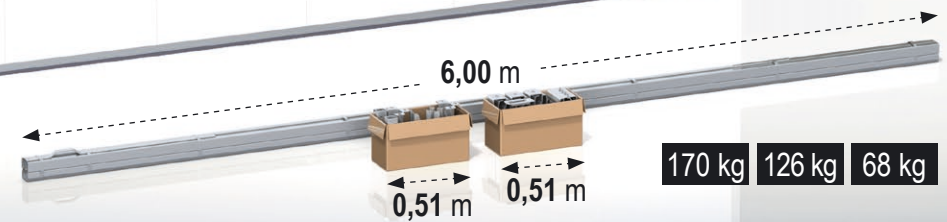
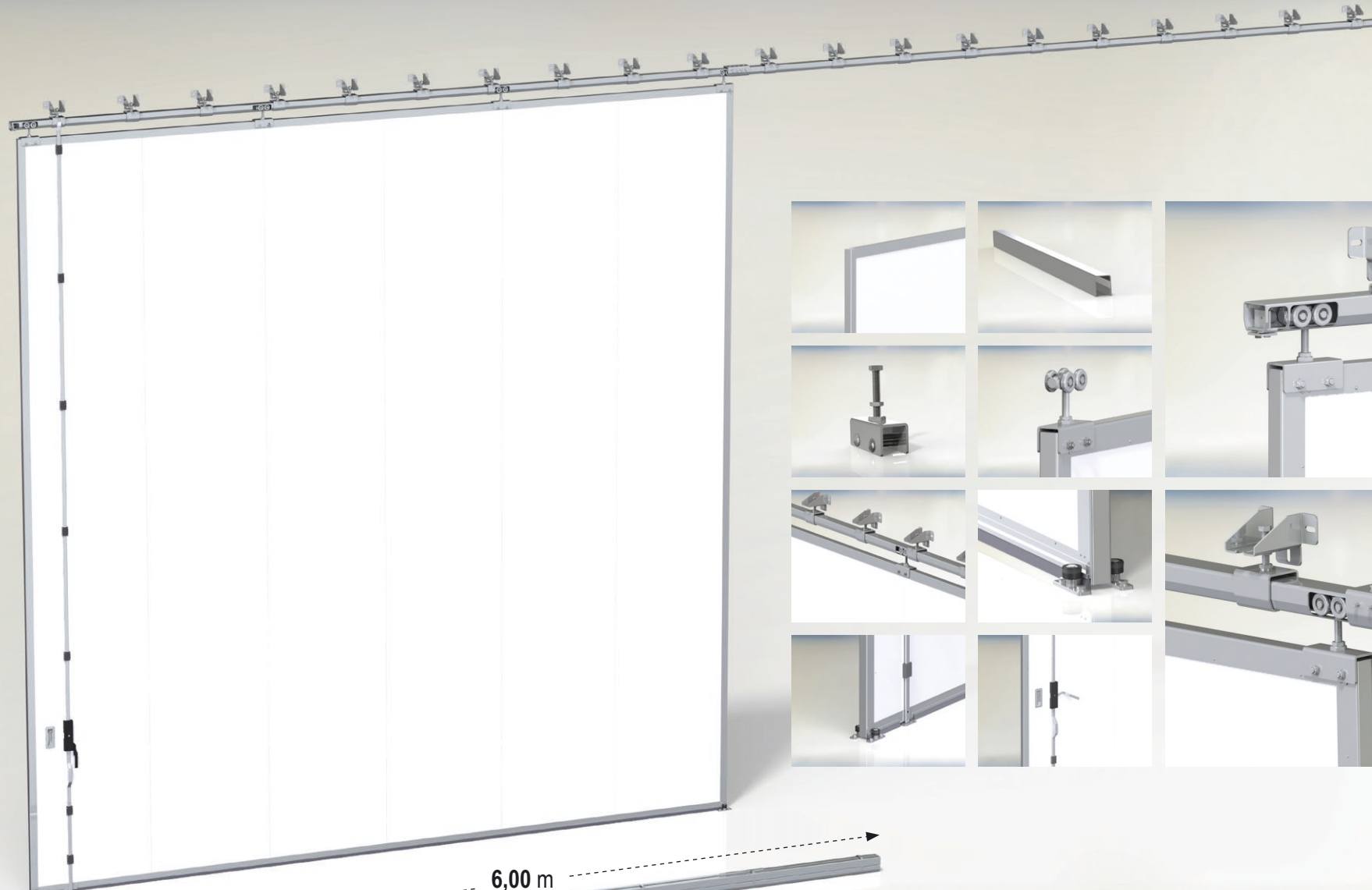


HIGH QUALITY  
GUARANTEED



NO WELDING  
NEEDED





**NEW** 

 **HANGAR SET 6.6**

SLIDING DOOR HARDWARE

HANGAR 6.6	
SPEED C	4 pcs
STAGE SZ 6	2 pcs
STAGE SZ 1	1 pc
DF 190	2 pcs
DC 70	21 pcs
KHL 140	21 pcs
FINISH S	2 pcs
MCD 60/6	4 pcs
AD 150	4 pcs
MS 40	1 pc
KL 70	1 pc
TL 30	1 pc
TL 40	1 pc
TL 70	7 pcs
TL 90	1 pc
RS 40	4 pcs
CODE: 1710904	WEIGHT: 170 kg

HANGAR 4.4	
SPEED C	3 pcs
STAGE SZ 4	2 pcs
STAGE SZ 1	1 pc
DF 190	2 pcs
DC 70	15 pcs
KHL 140	15 pcs
FINISH S	2 pcs
MCD 60/4	4 pcs
AD 150	3 pcs
MS 40	1 pc
KL 70	1 pc
TL 30	1 pc
TL 40	1 pc
TL 70	6 pcs
TL 90	1 pc
RS 40	4 pcs
CODE: 1710905	WEIGHT: 126 kg

HANGAR 2.2	
SPEED C	2 pcs
STAGE SZ 2,8	2 pcs
DF 190	1 pc
DC 70	10 pcs
KHL 140	10 pcs
FINISH S	2 pcs
MCD 60/4	2 pcs
AD 150	2 pcs
MS 40	1 pc
KL 70	1 pc
TL 30	1 pc
TL 40	1 pc
TL 70	5 pcs
TL 90	1 pc
RS 40	4 pcs
CODE: 1710906	WEIGHT: 68 kg

BRUSH 6.6	
BD 25/2	3 pcs
BD 35/2	9 pcs
BD 45/2	3 pcs
AD 25/2	9 pcs
AS 25/2	3 pcs
AR 25/2	3 pcs
CODE: 1710907	WEIGHT: 9 kg

BRUSH 4.4	
BD 25/2	2 pcs
BD 35/2	6 pcs
BD 45/2	2 pcs
AD 25/2	6 pcs
AS 25/2	2 pcs
AR 25/2	2 pcs
CODE: 1710908	WEIGHT: 6,5 kg

BRUSH 2.2	
BD 25/2	1 pc
BD 35/2	3 pcs
BD 45/2	1 pc
AD 25/2	3 pcs
AS 25/2	1 pc
AR 25/2	1 pc
CODE: 1710909	WEIGHT: 3,5 kg

COMPONENTS & DIMENSIONS - HANGAR 6.6								6 m / 960 kg
CARRIAGE	GUIDE	SUPPORT	NUMBER SUPPORT	NUMBER GARIAGE	NUMBER SUPRORT	LENGHT WING	DISTANCE BETWEEN SUPPORT	MAX. CAPACITY WING TO 6000 mm
			DC 70/KHL	SPEED C	AD 150	L	A	
SPEED C	STAGE SZ	DC 70/KHL	14	4	4	6000	500	1200
SPEED C	STAGE SZ	DC 70/KHL	11	4	4	6000	650	960

COMPONENTS & DIMENSIONS - HANGAR 4.4								4 m / 640 kg
CARRIAGE	GUIDE	SUPPORT	NUMBER SUPPORT	NUMBER GARIAGE	NUMBER SUPRORT	LENGHT WING	DISTANCE BETWEEN SUPPORT	MAX. CAPACITY WING TO 4000 mm
			DC 70/KHL	SPEED C	AD 150	L	A	
SPEED C	STAGE SZ	DC 70/KHL	10	3	3	4000	500	800
SPEED C	STAGE SZ	DC 70/KHL	8	3	3	4000	650	640

COMPONENTS & DIMENSIONS - HANGAR 2.2								2 m / 320 kg
CARRIAGE	GUIDE	SUPPORT	NUMBER SUPPORT	NUMBER GARIAGE	NUMBER SUPRORT	LENGHT WING	DISTANCE BETWEEN SUPPORT	MAX. CAPACITY WING TO 2000 mm
			DC 70/KHL	SPEED C	AD 150	L	A	
SPEED C	STAGE SZ	DC 70/KHL	5	2	2	2000	500	400
SPEED C	STAGE SZ	DC 70/KHL	4	2	2	2000	650	320



GERMAN STEEL WUPPERMANN



HOT DIPPED GALVANIZED



SLIM LEAF 46 mm



EASY ASSEMBLING



LINEAR INSTALLATION WITHOUT LIMITS



+ 50°C TESTED & PROVEN



- 37°C TESTED & PROVEN



SUITABLE FOR INTERNAL AND EXTERNAL INSTALLATION



NO WELDING NEEDED



FOR INDUSTRIAL USE ONLY



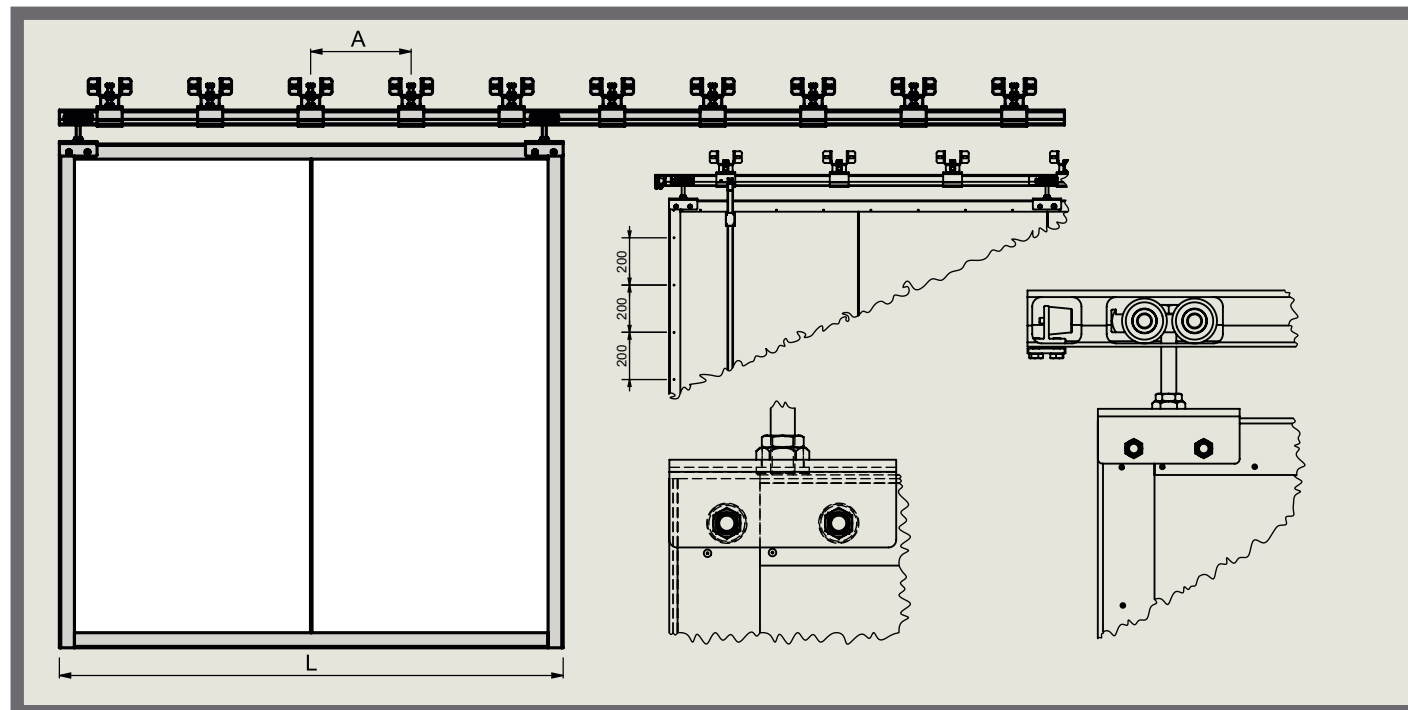
FAST NO WELDING



HIGH QUALITY GUARANTEED

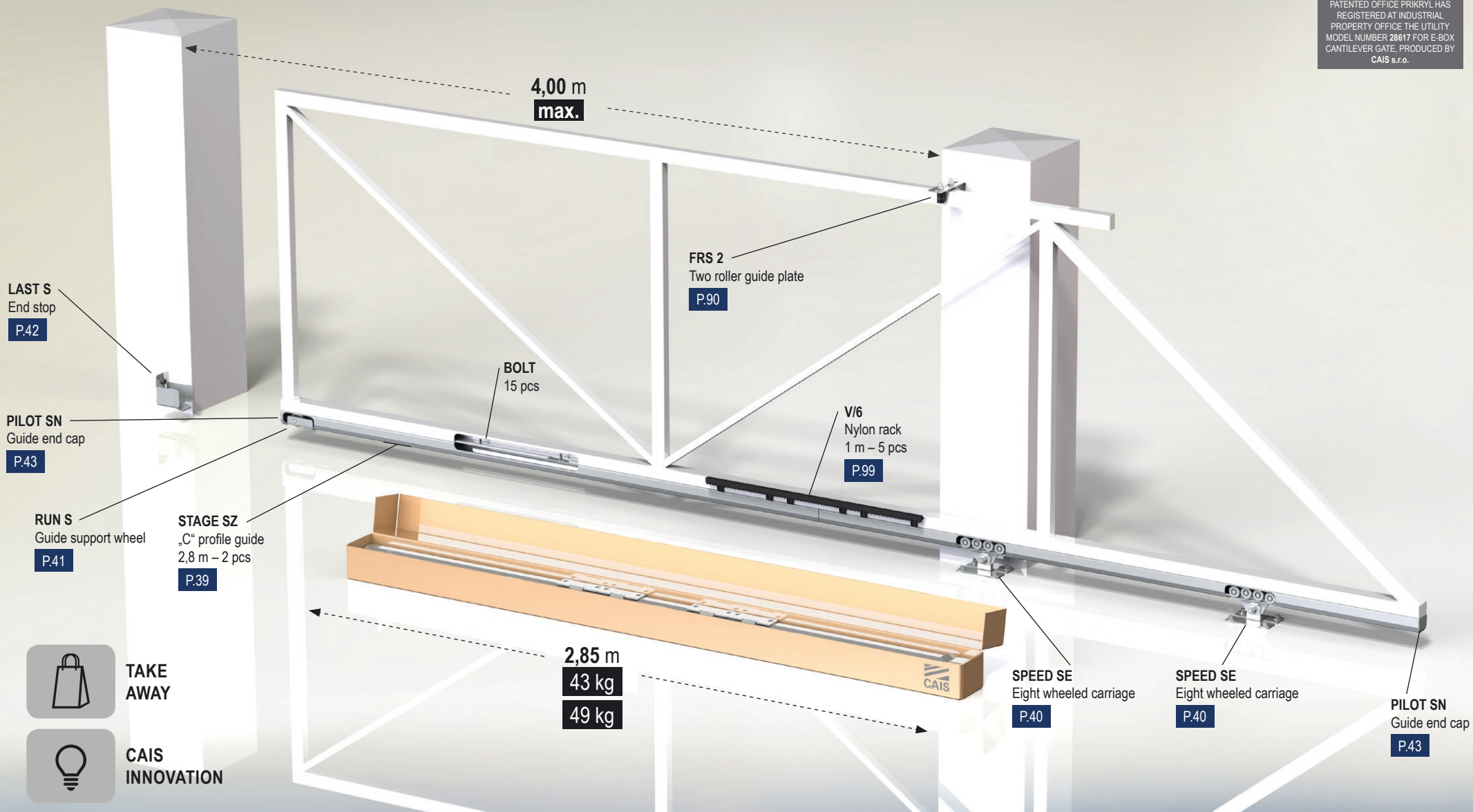


CAIS INNOVATION





**PATENT OFFICE**  
 PATENTED OFFICE PRIKRYL HAS  
 REGISTERED AT INDUSTRIAL  
 PROPERTY OFFICE THE UTILITY  
 MODEL NUMBER 28617 FOR E-BOX  
 CANTILEVER GATE. PRODUCED BY  
 CAIS s.r.o.



**TAKE AWAY**



**CAIS INNOVATION**

**PATENT OFFICE**

**CAIS** **ALL IN ONE SET 4.0**

CANTILEVER HARDWARE

E-BOX SE 02

SPEED SE .....	2 pcs
STAGE SZ 2,8 m .....	2 pcs
RUN S .....	1 pc
LAST S .....	1 pc
PILOT SN .....	2 pcs
FRS 2 .....	1 pc
BOLT M10x25 .....	15 pcs
RIVET NUT .....	15 pcs

Total weight = 43 kg

CODE: 1710053

E-BOX SE 03

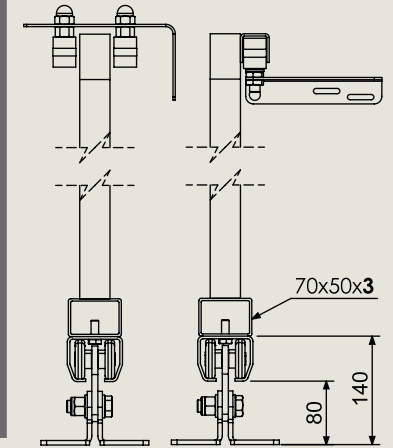
SPEED SE .....	2 pcs
STAGE SZ 2,8 m .....	2 pcs
RUN S .....	1 pc
LAST S .....	1 pc
PILOT SN .....	2 pcs
FRS 2 .....	1 pc
BOLT M10x25 .....	15 pcs
RIVET NUT .....	15 pcs
V/6 .....	5 pcs

Total weight = 49 kg

CODE: 1710054

E-BOX SE

	mm; kg	mm; kg	mm; kg	mm; kg	mm; kg	mm; kg
A	3000	3200	3400	3600	3800	4000
max. weight gate	325 kg	325 kg	325 kg	325 kg	325 kg	325 kg
B	900	960	1020	1080	1140	1200
C	1300	1360	1420	1480	1540	1600
D	270	270	270	270	270	270
F	130	130	130	130	130	130



NO WELDING NEEDED



TAKE AWAY



EASY ASSEMBLING



C 2 HQ BEARINGS



FAST NO WELDING



CARRIAGES CENTER HOLES MILLED NOT LASERED



15 BOLTS  
15 RIVET NUTS INCLUDED



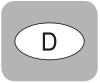
MULTI RIVETED SECTIONS



«C» TRACK SERIAL NO.  
100% COMPATIBILITY  
CARRIAGE TESTED



COMPACT PACKAGING  
2850 x 170 x 140 mm  
42 kg – 49 kg



GERMAN STEEL  
WUPPERMANN



JAPANESE ROBOTICS  
FANUC



HOT DIPPED GALVANIZED



UNIVERSITY OF TECHNOLOGY – BRNO



ARROW STRAIGHT «C» TRACK



- 37°C TESTED & PROVEN



BUILD IN FLYING HOLE PUNCH – EVERY 400 mm



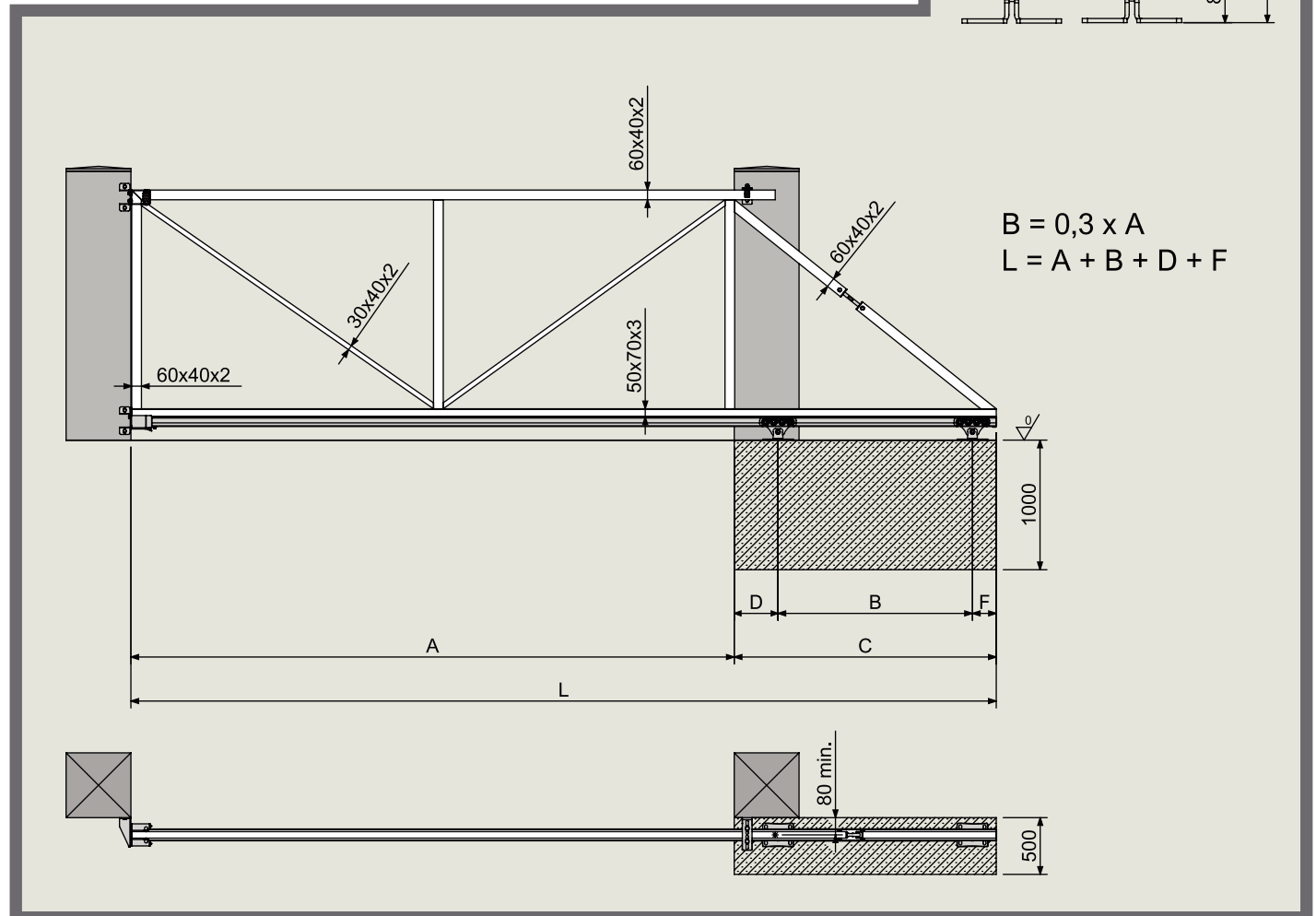
+ 50°C TESTED & PROVEN



GALVANIZED INTERNAL EDGES

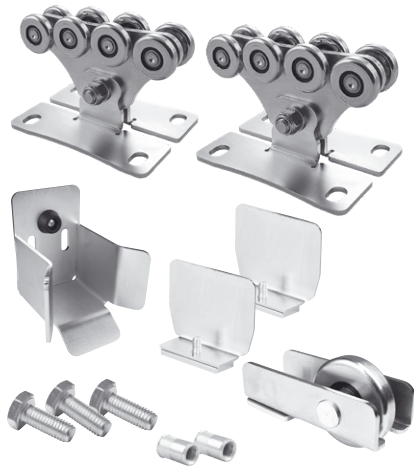


MADE IN CZECH REPUBLIC



## SOLE SE 02

### SET



SPEED SE ..... 2 pcs  
 RUN S ..... 1 pc  
 LAST S ..... 1 pc  
 PILOT SN ..... 2 pcs  
 BOLT M10x25 ..... 15 pcs  
 RIVET NUT ..... 15 pcs

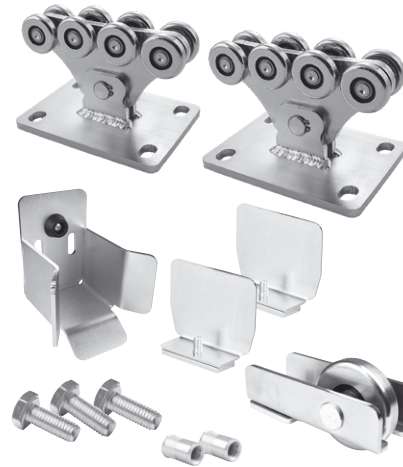
ART. SET / kg  
 SOLE SE 02 ..... 11,5 kg

GATES UP TO  
 WEIGHT ..... 325 kg

CODE: 1710018

## MARE S 02

### SET



SPEED S ..... 2 pcs  
 RUN S ..... 1 pc  
 LAST S ..... 1 pc  
 PILOT SN ..... 2 pcs  
 BOLT M10x25 ..... 15 pcs  
 RIVET NUT ..... 15 pcs

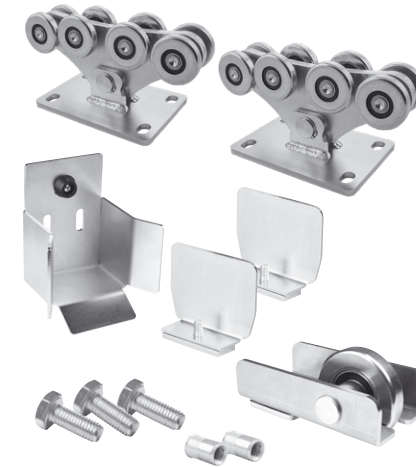
ART. SET / kg  
 MARE S 02 ..... 13,9 kg

GATES UP TO  
 WEIGHT ..... 450 kg

CODE: 1710040

## VITA ME 02

### SET



SPEED ME ..... 2 pcs  
 RUN M ..... 1 pc  
 LAST M ..... 1 pc  
 PILOT MN ..... 2 pcs  
 BOLT M10x25 ..... 15 pcs  
 RIVET NUT ..... 15 pcs

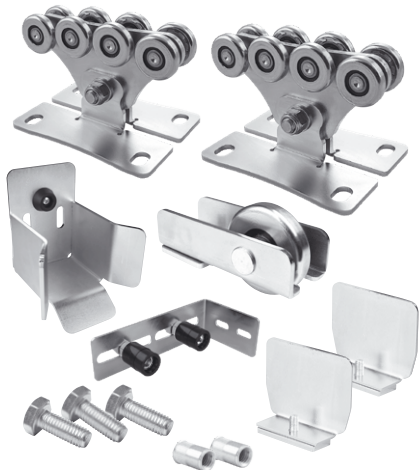
ART. SET / kg  
 VITA ME 02 ..... 22,4 kg

GATES UP TO  
 WEIGHT ..... 700 kg

CODE: 1710042

## SOLE SE 03

### SET



SPEED SE ..... 2 pcs  
 RUN S ..... 1 pc  
 LAST S ..... 1 pc  
 PILOT SN ..... 2 pcs  
 FRS 2 ..... 1 pc  
 BOLT M10x25 ..... 15 pcs  
 RIVET NUT ..... 15 pcs

ART. SET / kg  
 SOLE SE 03 ..... 12,1 kg

GATES UP TO  
 WEIGHT ..... 325 kg

CODE: 1710019

## MARE S 03

### SET



SPEED S ..... 2 pcs  
 RUN S ..... 1 pc  
 LAST S ..... 1 pc  
 PILOT SN ..... 2 pcs  
 FRS 2 ..... 1 pc  
 BOLT M10x25 ..... 15 pcs  
 RIVET NUT ..... 15 pcs

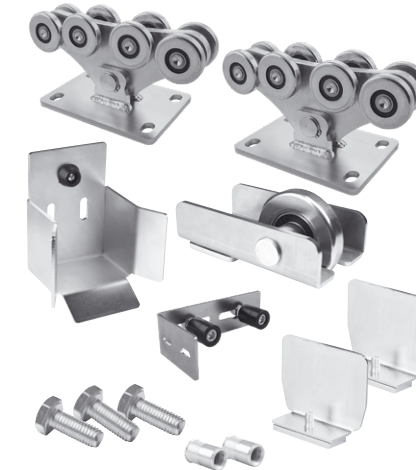
ART. SET / kg  
 MARE S 03 ..... 14,5 kg

GATES UP TO  
 WEIGHT ..... 450 kg

CODE: 1710041

## VITA ME 03

### SET



SPEED ME ..... 2 pcs  
 RUN M ..... 1 pc  
 LAST M ..... 1 pc  
 PILOT MN ..... 2 pcs  
 FRM 2 ..... 1 pc  
 BOLT M10x25 ..... 15 pcs  
 RIVET NUT ..... 15 pcs

ART. SET / kg  
 VITA ME 03 ..... 23,7 kg

GATES UP TO  
 WEIGHT ..... 700 kg

CODE: 1710043

## FERO SBE 02

### SET



SPEED SE ..... 2 pcs  
 STAGE SB 5,6 ..... 1 pc  
 RUN S ..... 1 pc  
 LAST S ..... 1 pc  
 PILOT SN ..... 2 pcs  
 BOLT M10x25 ..... 15 pcs  
 RIVET NUT ..... 15 pcs

ART. SET / kg  
 FERO SBE 02 ..... 42,3 kg

GATES UP TO  
 WEIGHT ..... 325 kg  
 LENGHT ..... 4 m

CODE: 1710014

## FERO SZE 02

### SET



SPEED SE ..... 2 pcs  
 STAGE SZ 5,6 ..... 1 pc  
 RUN S ..... 1 pc  
 LAST S ..... 1 pc  
 PILOT SN ..... 2 pcs  
 BOLT M10x25 ..... 15 pcs  
 RIVET NUT ..... 15 pcs

ART. SET / kg  
 FERO SZE 02 ..... 42,3 kg

GATES UP TO  
 WEIGHT ..... 325 kg  
 LENGHT ..... 4 m

CODE: 1710007

## DINO SBE 02

### SET



SPEED SE ..... 2 pcs  
 STAGE SB 6 ..... 1 pc  
 RUN S ..... 1 pc  
 LAST S ..... 1 pc  
 PILOT SN ..... 2 pcs  
 BOLT M10x25 ..... 15 pcs  
 RIVET NUT ..... 15 pcs

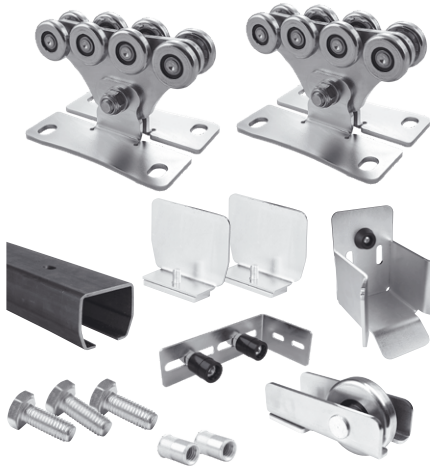
ART. SET / kg  
 DINO SBE 02 ..... 44,5 kg

GATES UP TO  
 WEIGHT ..... 325 kg  
 LENGHT ..... 4,5 m

CODE: 1710047

## FERO SBE 03

### SET



SPEED SE ..... 2 pcs  
 STAGE SB 5,6 ..... 1 pc  
 RUN S ..... 1 pc  
 LAST S ..... 1 pc  
 PILOT SN ..... 2 pcs  
 FRS 2 ..... 1 pc  
 BOLT M10x25 ..... 15 pcs  
 RIVET NUT ..... 15 pcs

ART. SET / kg  
 FERO SBE 03 ..... 42,9 kg

GATES UP TO  
 WEIGHT ..... 325 kg  
 LENGHT ..... 4 m

CODE: 1710044

## FERO SZE 03

### SET



SPEED SE ..... 2 pcs  
 STAGE SZ 5,6 ..... 1 pc  
 RUN S ..... 1 pc  
 LAST S ..... 1 pc  
 PILOT SN ..... 2 pcs  
 FRS 2 ..... 1 pc  
 BOLT M10x25 ..... 15 pcs  
 RIVET NUT ..... 15 pcs

ART. SET / kg  
 FERO SZE 03 ..... 42,9 kg

GATES UP TO  
 WEIGHT ..... 325 kg  
 LENGHT ..... 4 m

CODE: 1710045

## DINO SBE 03

### SET



SPEED SE ..... 2 pcs  
 STAGE SB 6 ..... 1 pc  
 RUN S ..... 1 pc  
 LAST S ..... 1 pc  
 PILOT SN ..... 2 pcs  
 FRS 2 ..... 1 pc  
 BOLT M10x25 ..... 15 pcs  
 RIVET NUT ..... 15 pcs

ART. SET / kg  
 DINO SBE 03 ..... 45,1 kg

GATES UP TO  
 WEIGHT ..... 325 kg  
 LENGHT ..... 4,5 m

CODE: 1710048

## DINO SIZE 02

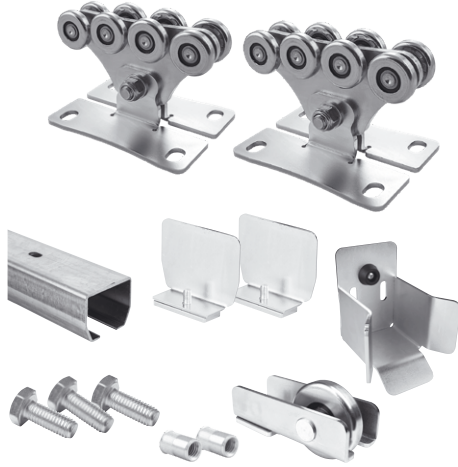
### SET

SPEED SE ..... 2 pcs  
 STAGE SZ 6 ..... 1 pc  
 RUN S ..... 1 pc  
 LAST S ..... 1 pc  
 PILOT SN ..... 2 pcs  
 BOLT M10x25 ..... 15 pcs  
 RIVET NUT ..... 15 pcs

ART. SET / kg  
 DINO SIZE 02 ..... 44,5 kg

GATES UP TO  
 WEIGHT ..... 325 kg  
 LENGHT ..... 4,5 m

CODE: 1710049



## ENZO SB 02

### SET

SPEED S ..... 2 pcs  
 STAGE SB 6 ..... 1 pc  
 RUN S ..... 1 pc  
 LAST S ..... 1 pc  
 PILOT SN ..... 2 pcs  
 BOLT M10x25 ..... 15 pcs  
 RIVET NUT ..... 15 pcs

ART. SET / kg  
 ENZO SB 02 ..... 46,9 kg

GATES UP TO  
 WEIGHT ..... 450 kg  
 LENGHT ..... 4,5 m

CODE: 1710012



## ENZO SZ 02

### SET

SPEED S ..... 2 pcs  
 STAGE SZ 6 ..... 1 pc  
 RUN S ..... 1 pc  
 LAST S ..... 1 pc  
 PILOT SN ..... 2 pcs  
 BOLT M10x25 ..... 15 pcs  
 RIVET NUT ..... 15 pcs

ART. SET / kg  
 ENZO SZ 02 ..... 46,9 kg

GATES UP TO  
 WEIGHT ..... 450 kg  
 LENGHT ..... 4,5 m

CODE: 1710005



## DINO SIZE 03

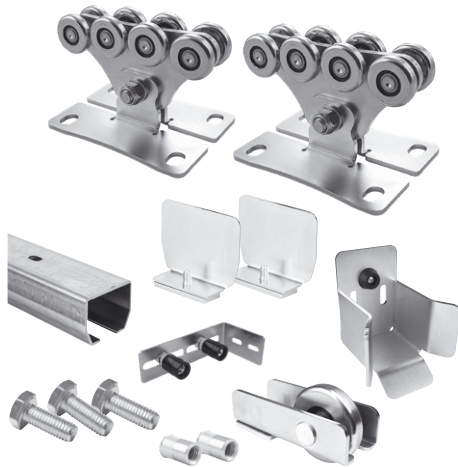
### SET

SPEED SE ..... 2 pcs  
 STAGE SZ 6 ..... 1 pc  
 RUN S ..... 1 pc  
 LAST S ..... 1 pc  
 PILOT SN ..... 2 pcs  
 FRS 2 ..... 1 pc  
 BOLT M10x25 ..... 15 pcs  
 RIVET NUT ..... 15 pcs

ART. SET / kg  
 DINO SIZE 03 ..... 45,1 kg

GATES UP TO  
 WEIGHT ..... 325 kg  
 LENGHT ..... 4,5 m

CODE: 1710050



## ENZO SB 03

### SET

SPEED S ..... 2 pcs  
 STAGE SB 6 ..... 1 pc  
 RUN S ..... 1 pc  
 LAST S ..... 1 pc  
 PILOT SN ..... 2 pcs  
 FRS 2 ..... 1 pc  
 BOLT M10x25 ..... 15 pcs  
 RIVET NUT ..... 15 pcs

ART. SET / kg  
 ENZO SB 03 ..... 47,5 kg

GATES UP TO  
 WEIGHT ..... 450 kg  
 LENGHT ..... 4,5 m

CODE: 1710051



## ENZO SZ 03

### SET

SPEED S ..... 2 pcs  
 STAGE SZ 6 ..... 1 pc  
 RUN S ..... 1 pc  
 LAST S ..... 1 pc  
 PILOT SN ..... 2 pcs  
 FRS 2 ..... 1 pc  
 BOLT M10x25 ..... 15 pcs  
 RIVET NUT ..... 15 pcs

ART. SET / kg  
 ENZO SZ 03 ..... 47,5 kg

GATES UP TO  
 WEIGHT ..... 450 kg  
 LENGHT ..... 4,5 m

CODE: 1710046



## DEMO MBE 02

### SET



SPEED ME ..... 2 pcs  
 STAGE MB 6 ..... 1 pc  
 RUN M ..... 1 pc  
 LAST M ..... 1 pc  
 PILOT MN ..... 2 pcs  
 BOLT M10x25 ..... 15 pcs  
 RIVET NUT ..... 15 pcs

ART. SET / kg  
 DEMO MBE 02 ..... 87,8 kg

GATES UP TO  
 WEIGHT ..... 500 kg  
 LENGHT ..... 4 m

CODE: 1710016

## DEMO MZE 02

### SET



SPEED ME ..... 2 pcs  
 STAGE MZ 6 ..... 1 pc  
 RUN M ..... 1 pc  
 LAST M ..... 1 pc  
 PILOT MN ..... 2 pcs  
 BOLT M10x25 ..... 15 pcs  
 RIVET NUT ..... 15 pcs

ART. SET / kg  
 DEMO MZE 02 ..... 87,8 kg

GATES UP TO  
 WEIGHT ..... 500 kg  
 LENGHT ..... 4 m

CODE: 1710010

## DEMO MBE 23

### SET



SPEED ME ..... 2 pcs  
 STAGE MB 6 ..... 1 pc  
 STAGE MB 3 ..... 1 pc  
 RUN M ..... 1 pc  
 LAST M ..... 1 pc  
 PILOT MN ..... 2 pcs  
 FRM 2 ..... 1 pc  
 BOLT M10x25 ..... 30 pcs  
 RIVET NUT ..... 30 pcs

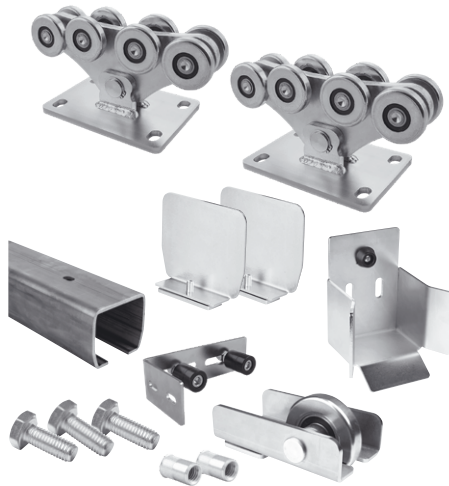
ART. SET / kg  
 DEMO MBE 23 ..... 122,3 kg

GATES UP TO  
 WEIGHT ..... 600 kg  
 LENGHT ..... 6 m

CODE: 1710072

## DEMO MBE 03

### SET



SPEED ME ..... 2 pcs  
 STAGE MB 6 ..... 1 pc  
 RUN M ..... 1 pc  
 LAST M ..... 1 pc  
 PILOT MN ..... 2 pcs  
 FRM 2 ..... 1 pc  
 BOLT M10x25 ..... 15 pcs  
 RIVET NUT ..... 15 pcs

ART. SET / kg  
 DEMO MBE 03 ..... 89,1 kg

GATES UP TO  
 WEIGHT ..... 500 kg  
 LENGHT ..... 4 m

CODE: 1710052

## DEMO MZE 03

### SET



SPEED ME ..... 2 pcs  
 STAGE MZ 6 ..... 1 pc  
 RUN M ..... 1 pc  
 LAST M ..... 1 pc  
 PILOT MN ..... 2 pcs  
 FRM 2 ..... 1 pc  
 BOLT M10x25 ..... 15 pcs  
 RIVET NUT ..... 15 pcs

ART. SET / kg  
 DEMO MZE 03 ..... 89,1 kg

GATES UP TO  
 WEIGHT ..... 500 kg  
 LENGHT ..... 4 m

CODE: 1710038

## DEMO MZE 23

### SET



SPEED ME ..... 2 pcs  
 STAGE MZ 6 ..... 1 pc  
 STAGE MZ 3 ..... 1 pc  
 RUN M ..... 1 pc  
 LAST M ..... 1 pc  
 PILOT MN ..... 2 pcs  
 FRM 2 ..... 1 pc  
 BOLT M10x25 ..... 30 pcs  
 RIVET NUT ..... 30 pcs

ART. SET / kg  
 DEMO MZE 23 ..... 122,3 kg

GATES UP TO  
 WEIGHT ..... 600 kg  
 LENGHT ..... 6 m

CODE: 1710073