

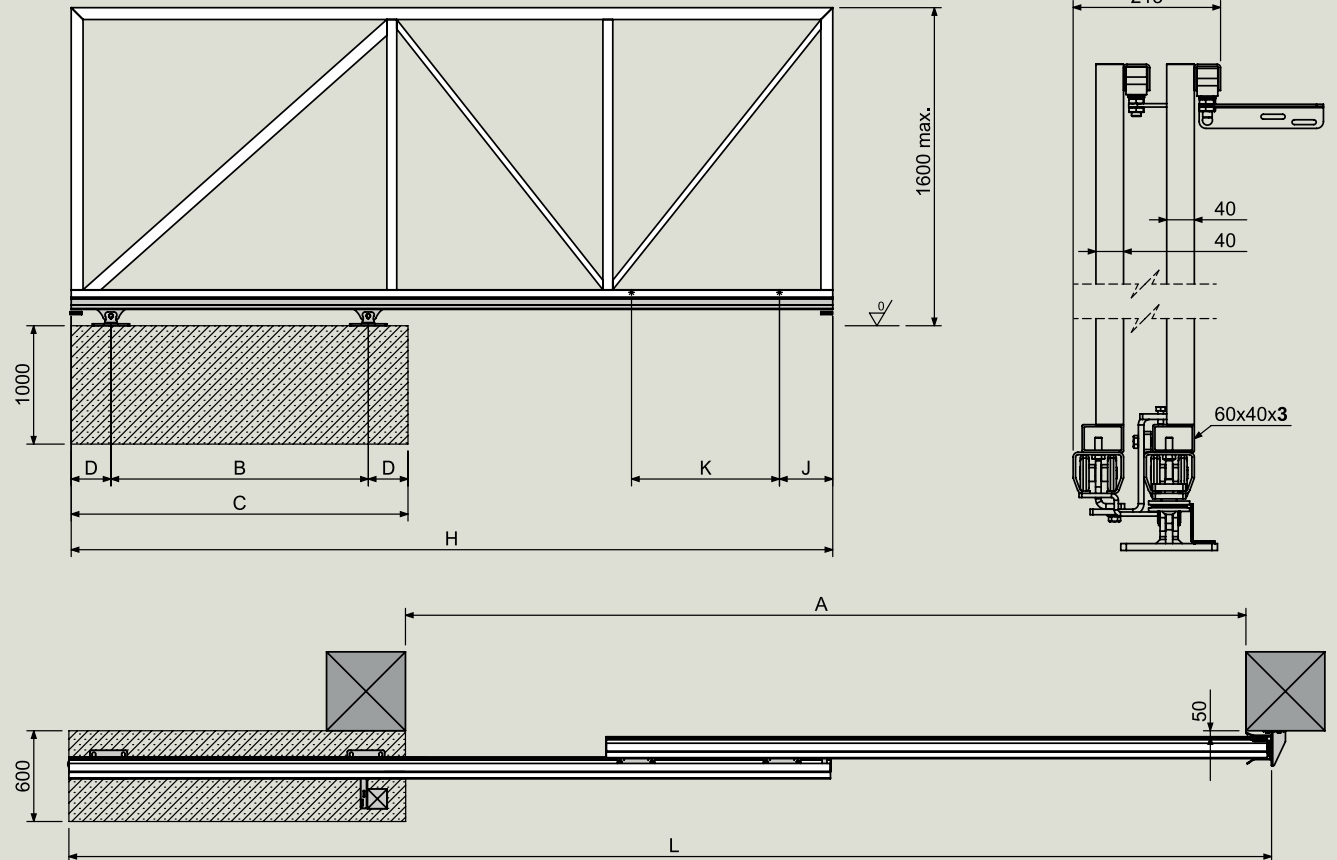
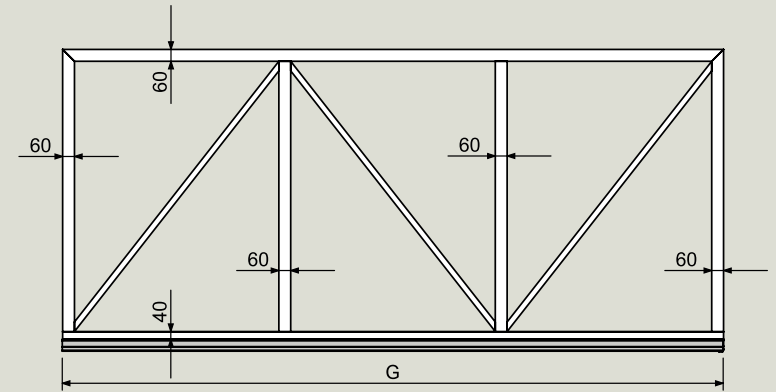
# FOLLOW ME - MANUAL


**FOLLOW ME 4.25**


**CODE: 1710900**


	mm; kg	mm; kg	mm; kg	mm; kg	mm; kg	mm; kg	mm; kg
<b>A</b>	2750	3000	3250	3500	3750	4000	4250
<b>backspace</b>	2722	2930	3138	3347	3555	3763	3972
<b>max. weight gate</b>	325 kg	325 kg	325 kg	325 kg	325 kg	325 kg	325 kg
<b>B</b>	817	900	983	1067	1150	1233	1317
<b>C</b>	1217	1300	1383	1467	1550	1633	1717
<b>D</b>	200	200	200	200	200	200	200
<b>G</b>	2228	2415	2603	2790	2978	3165	3353
<b>H</b>	2622	2830	3038	3247	3455	3663	3872
<b>J</b>	270	270	270	270	270	270	270
<b>K</b>	353	415	478	540	603	665	728
<b>L</b>	4067	4400	4733	5067	5400	5733	6067


Valid for gate frame 60x40




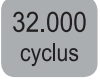
- 


**DOUBLE-QUICK TIME GATE OPERATOR**  
CLOSING & OPENING
- 


**SPACE SAVING FEATURE**  
- 36% TAILGATE SPACE
- 


**EASY ASSEMBLING**
- 


**TWIN «C» TRACK CANTILEVER SYSTEM**
- 


**3 AXIS**  
2ND CANTILEVER LEAF ADJUSTABLE IN 3 AXES
- 


**32.000 cyclus**  
32.000 CYCLUS TESTED & PROVEN
- 


**270 g/m²**  
HOT DIPPED GALVANIZED
- 


**+ 50°C**  
TESTED & PROVEN
- 


**- 37°C**  
TESTED AND PROVEN
- 


**BUILD IN FLYING HOLE PUNCH**  
EVERY 400 mm
- 


**GALVANIZED INTERNAL EDGES**
- 


**«C» TRACK SERIAL NO.**  
100% COMPATIBILITY  
CARRIAGE TESTED
- 


**GERMAN STEEL WUPPERMANN**
- 


**15 + 15 BOLTS**  
**15 + 15 RIVET NUTS INCLUDED**
- 

**C 2 HIGH QUALITY BEARINGS**
- 

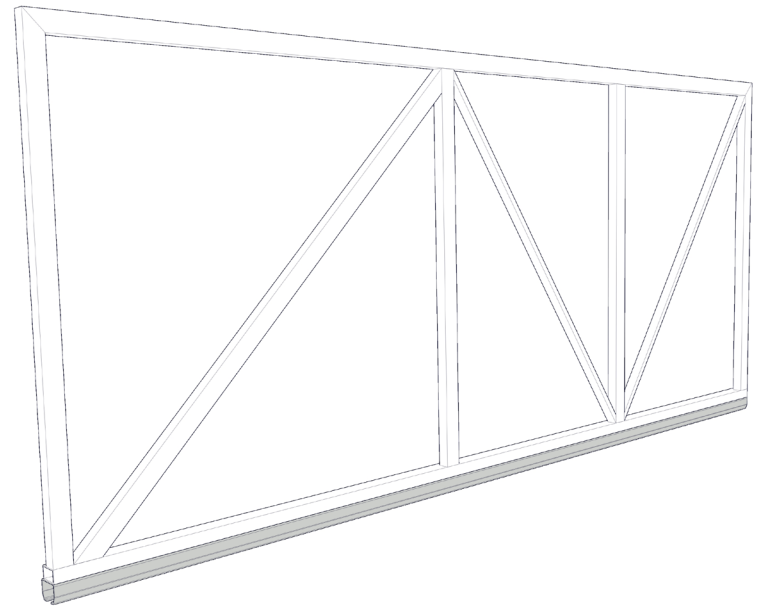
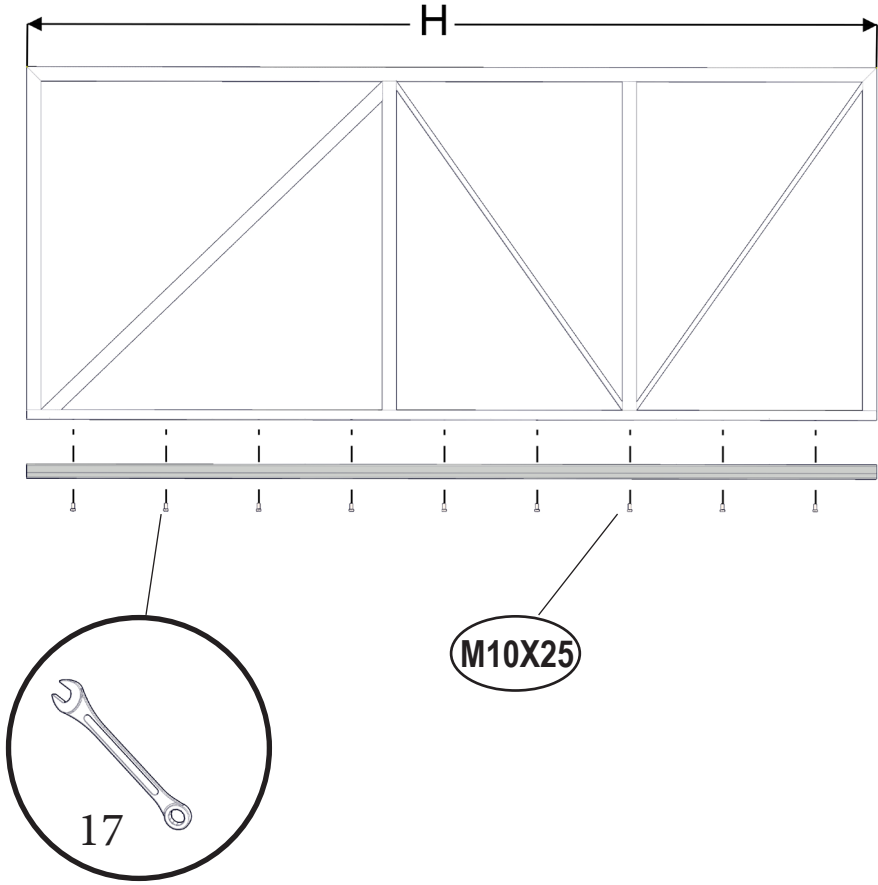
**CARRIAGES CENTER HOLES MILLED**  
NOT LASERED
- 

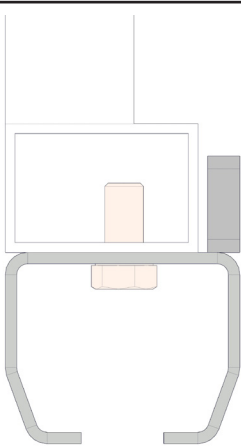
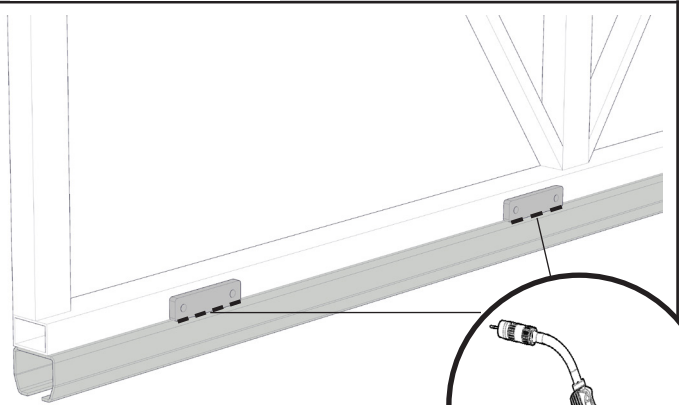
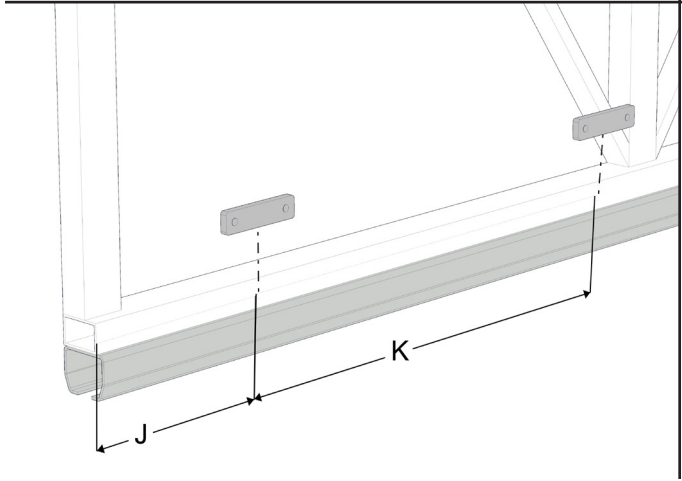
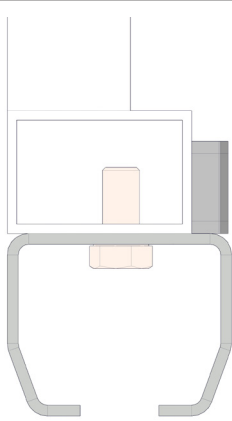
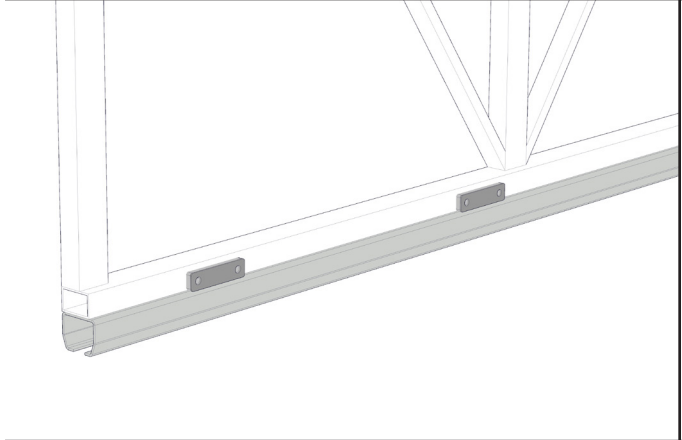
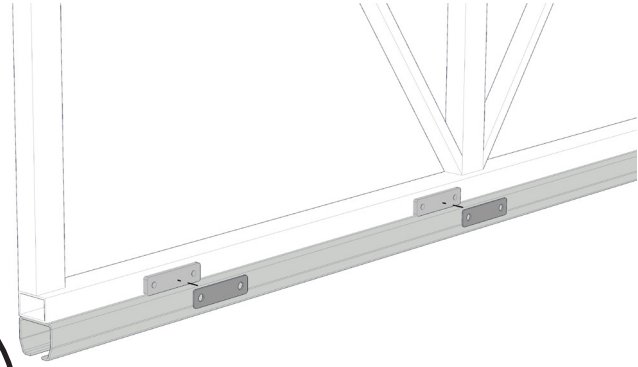
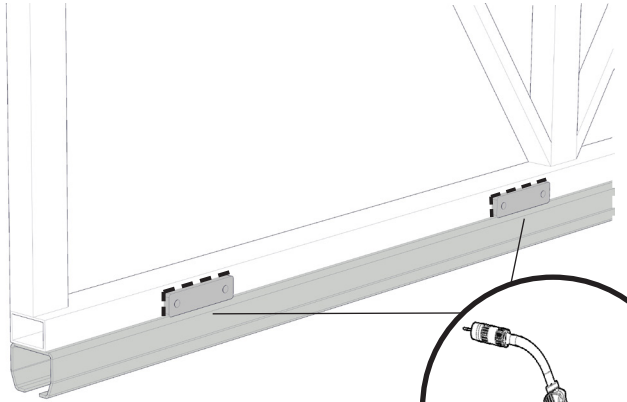
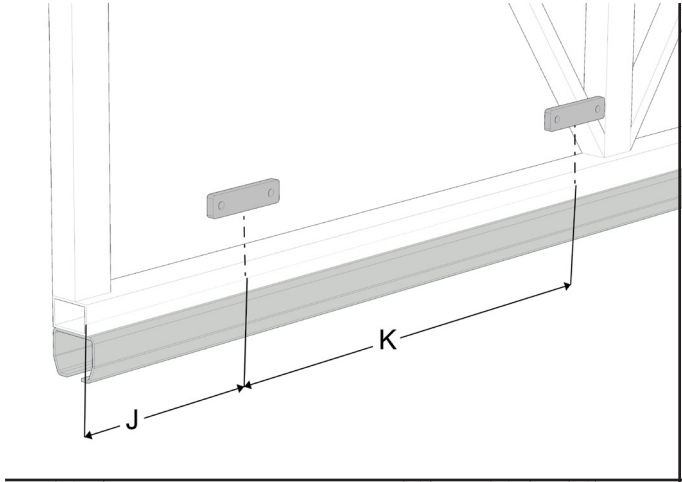
**MULTI RIVITED SECTIONS**
- 

**JPN JAPANESE ROBOTICS FANUC**
- 

**R&D UNIVERSITY OF TECHNOLOGY – BRNO**
- 

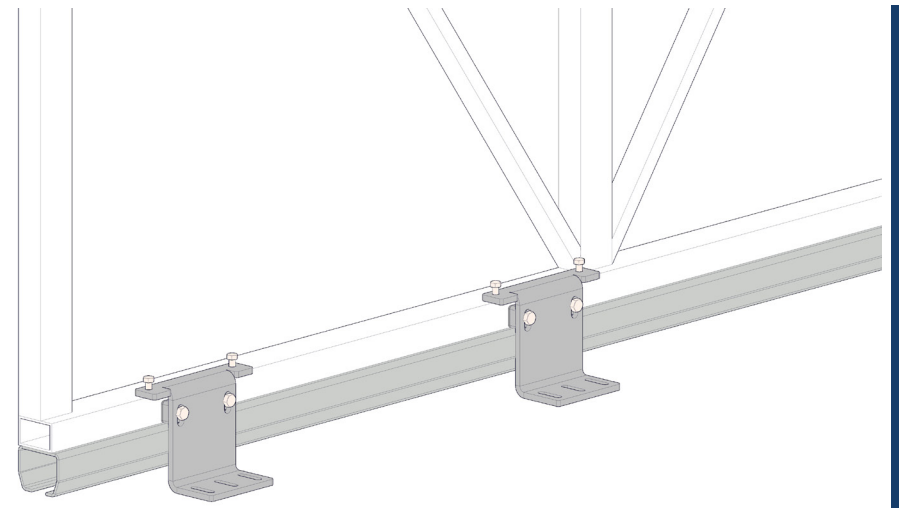
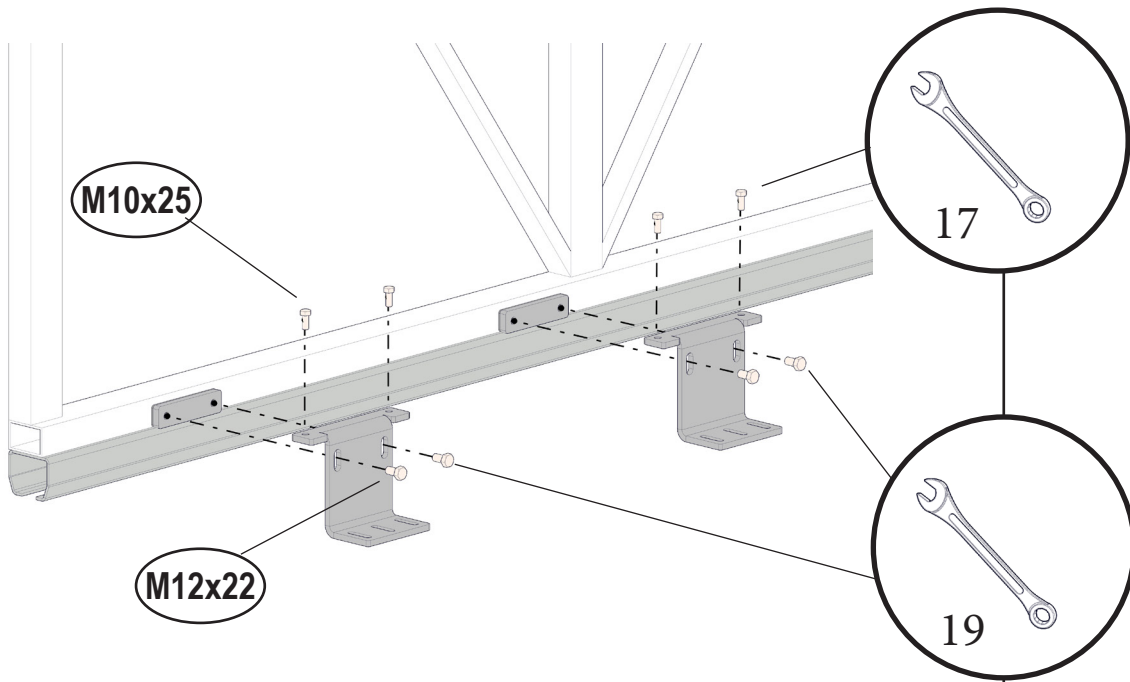
**CZ MADE IN CZECH REPUBLIC**



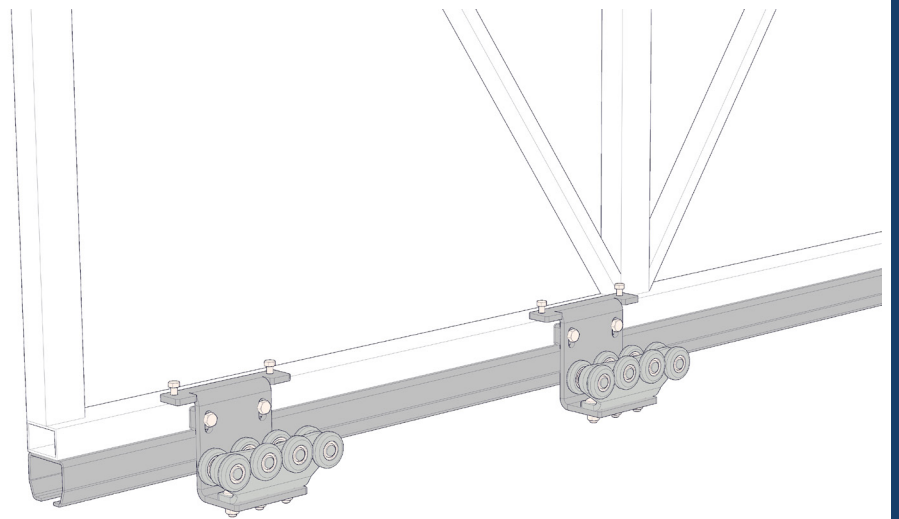
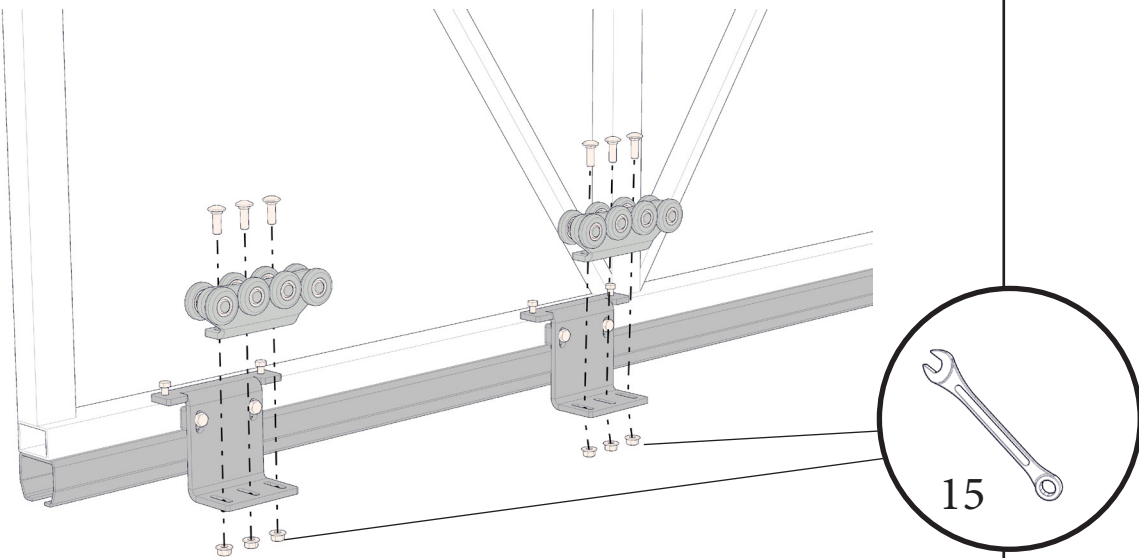


STEP 2: A

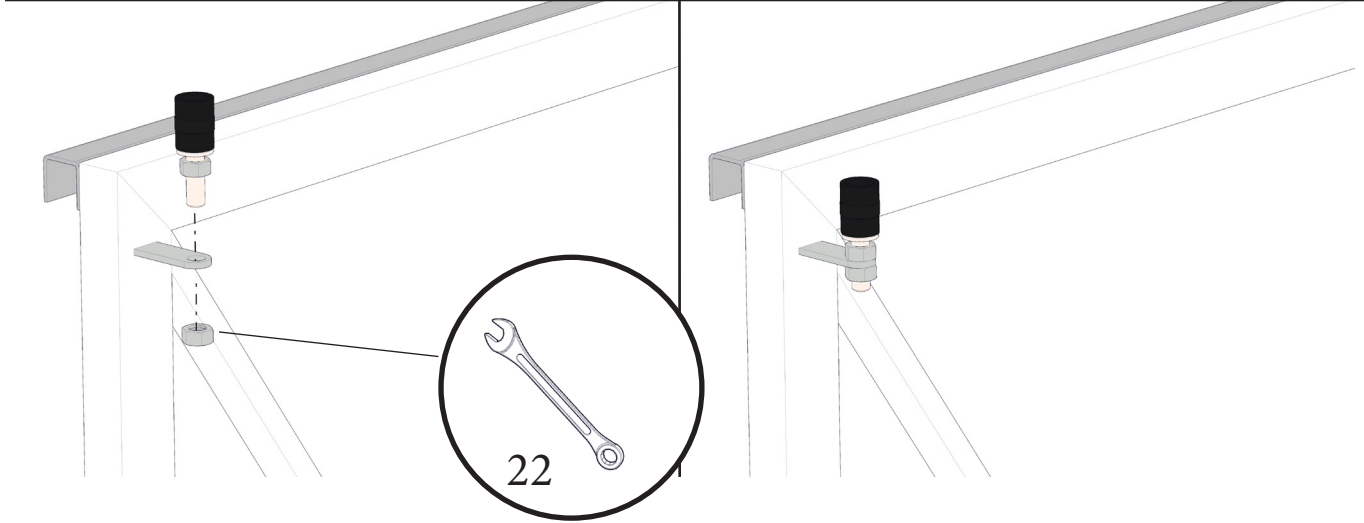
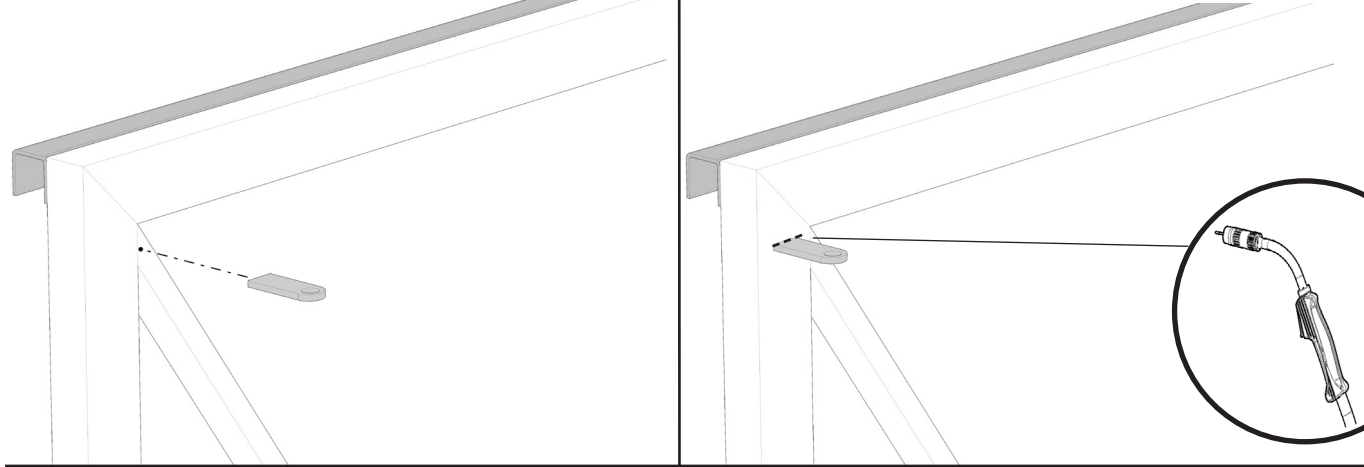
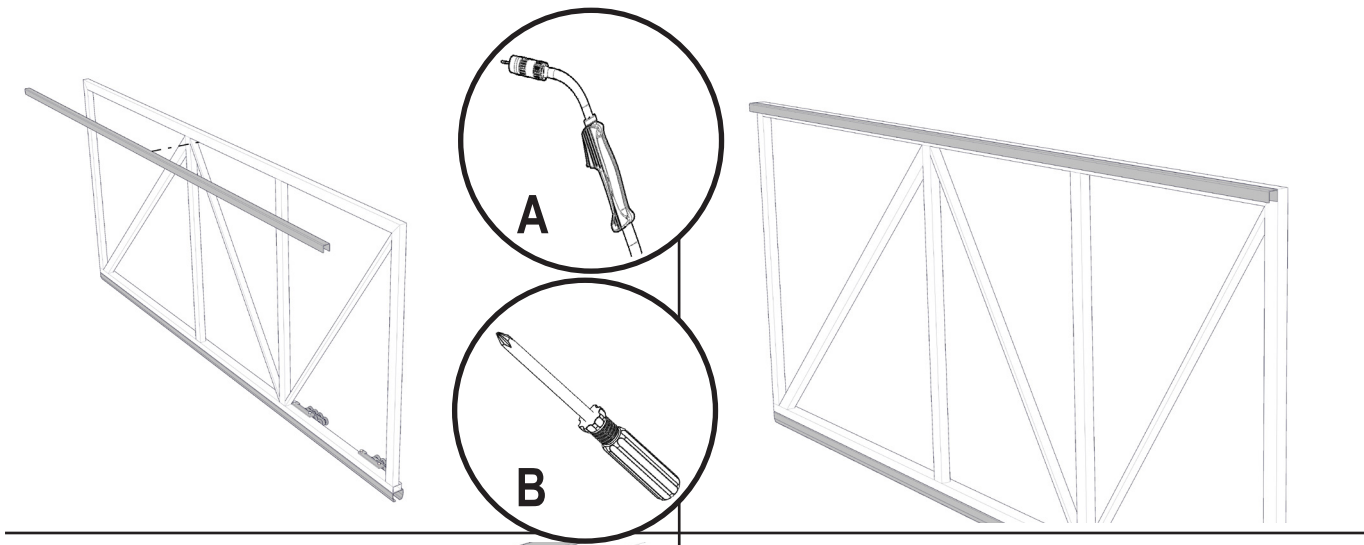
STEP 2: B



STEP 3



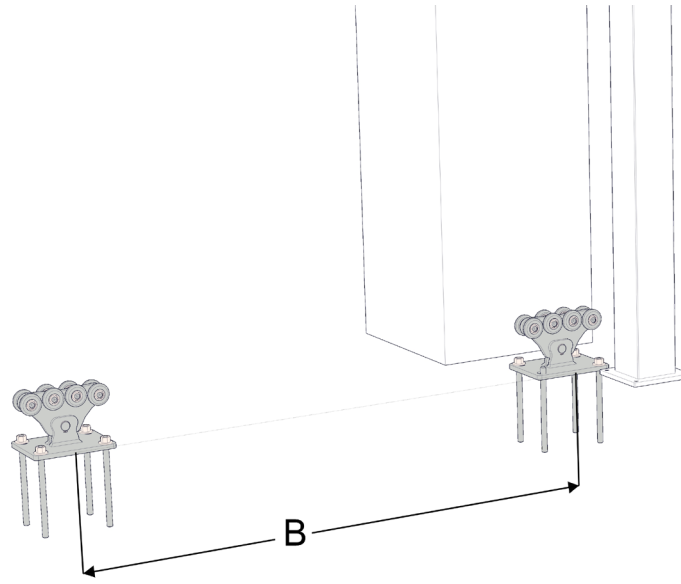
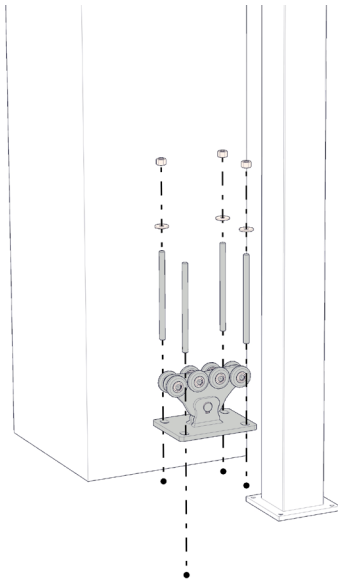
STEP 4



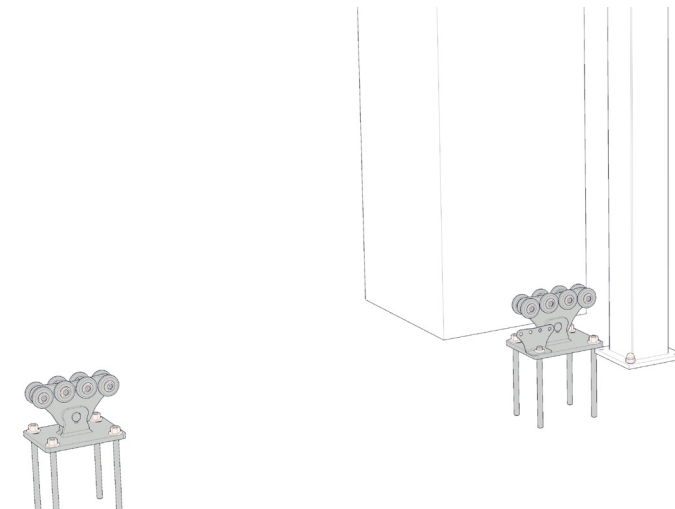
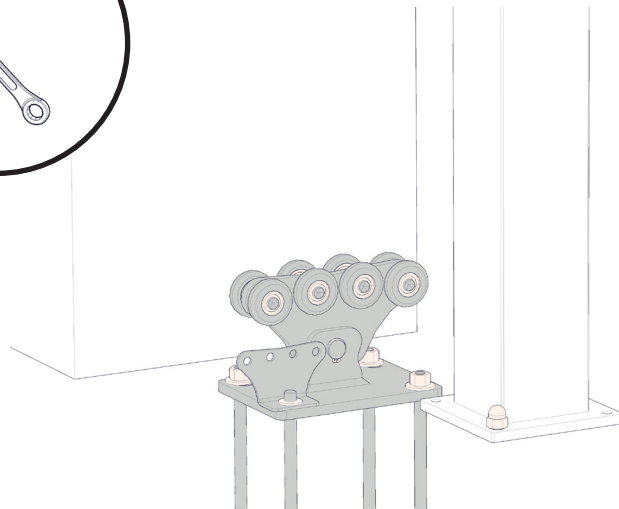
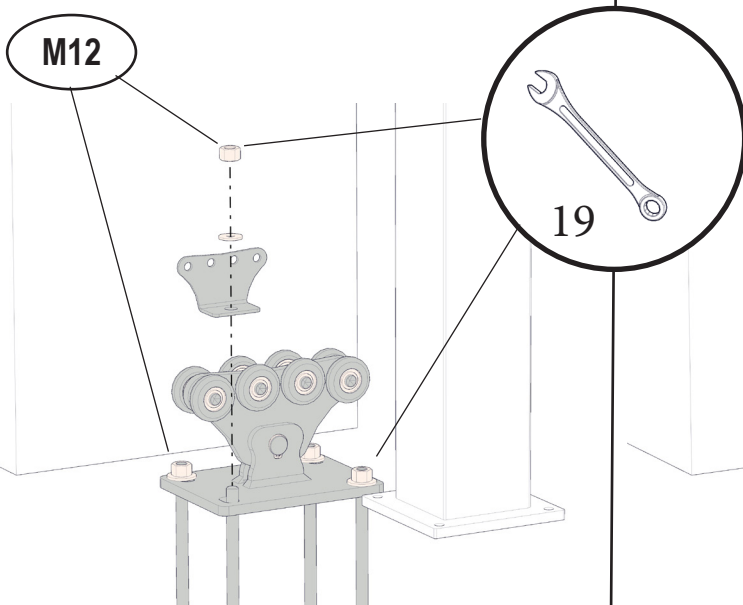
STEP 5

STEP 6

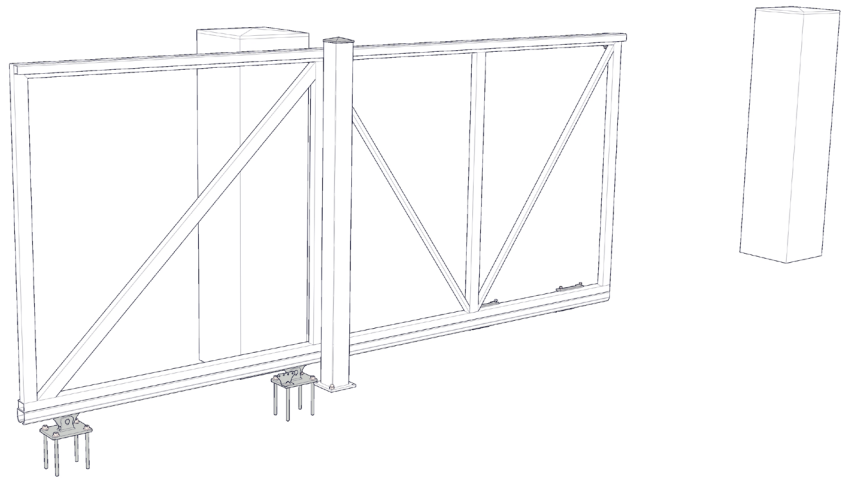
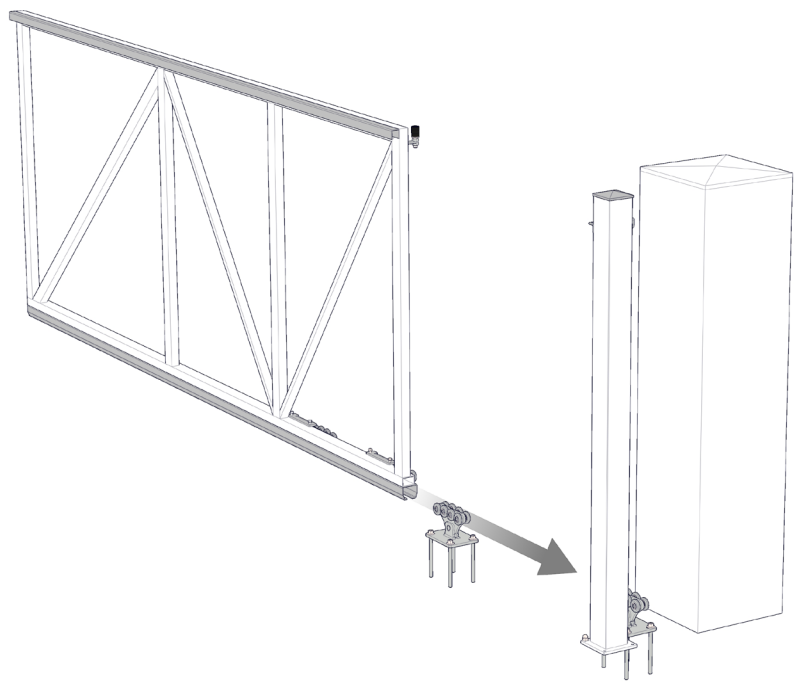
STEP 7



STEP 8

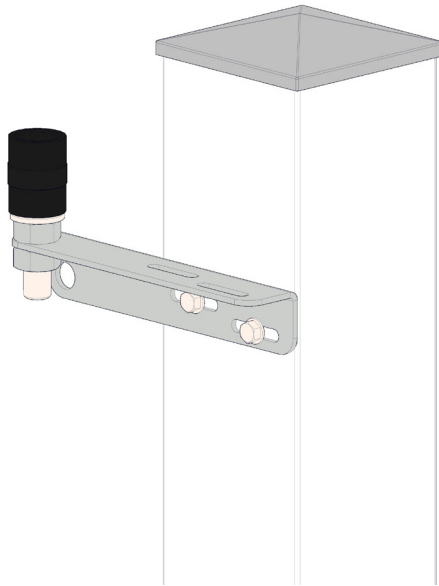
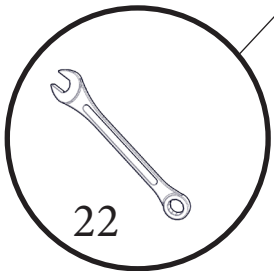
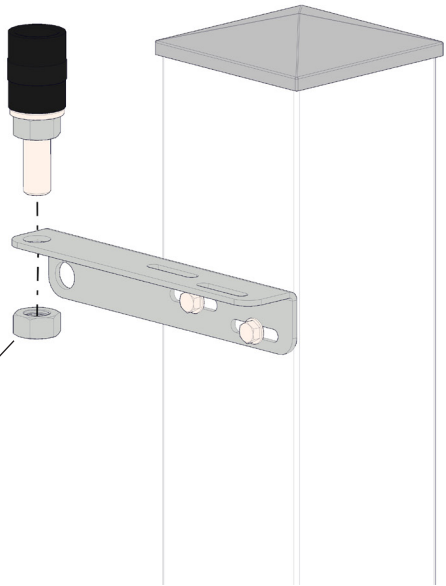
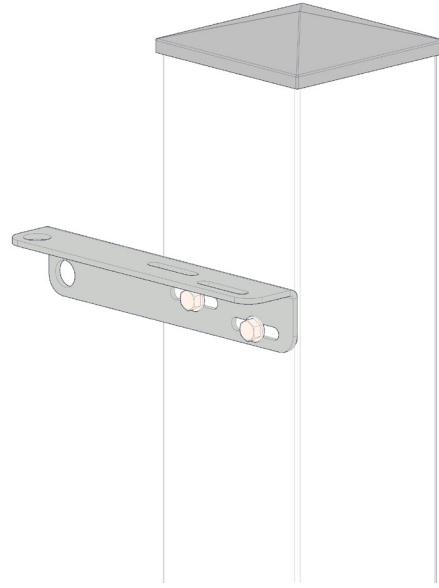
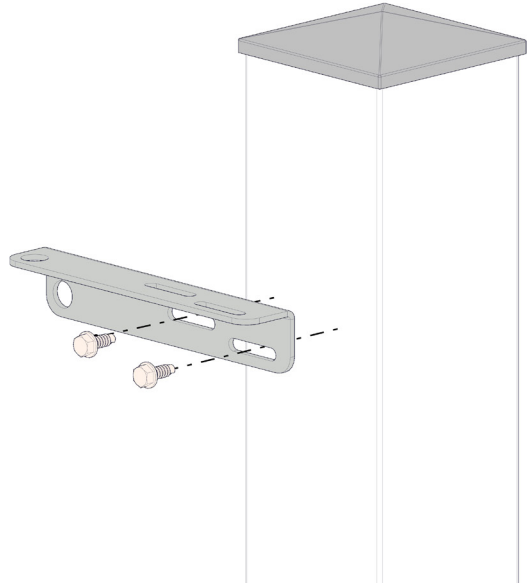


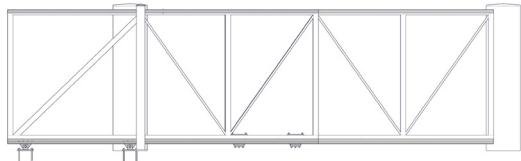
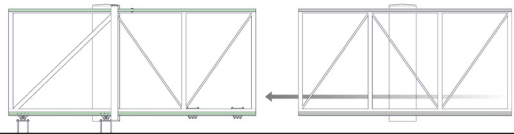
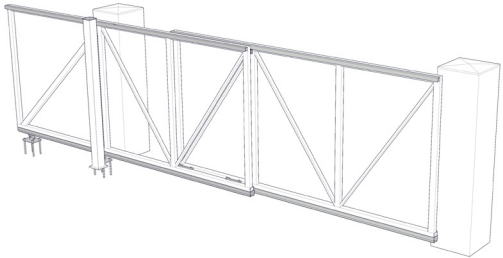
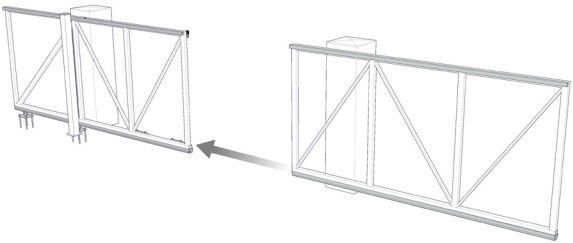
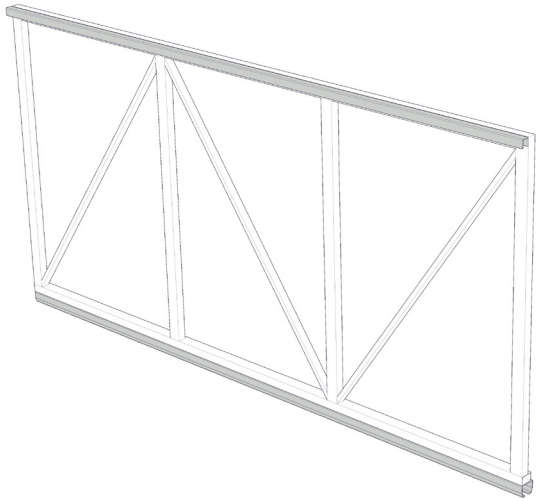
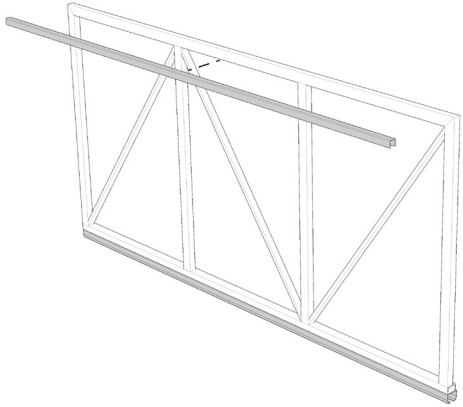
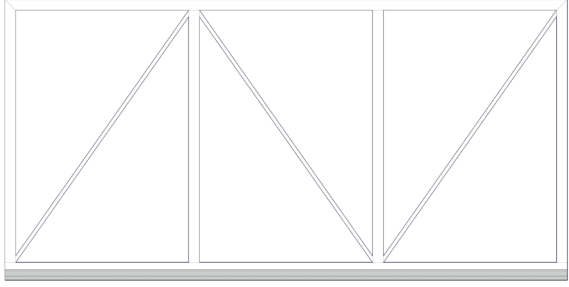
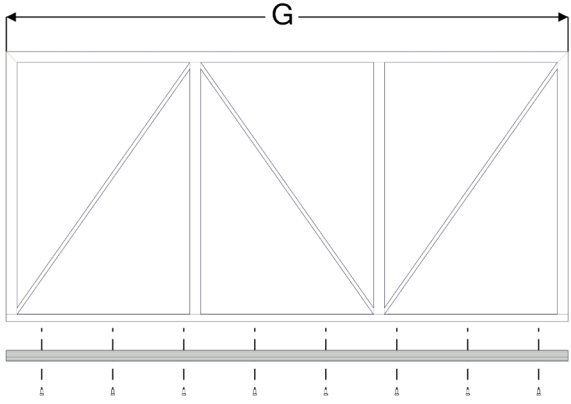
STEP 9

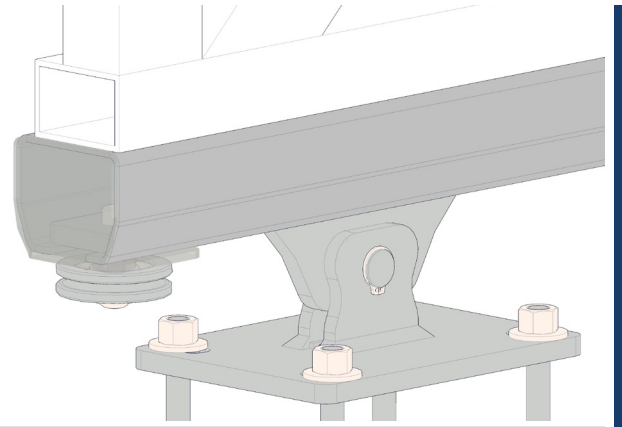
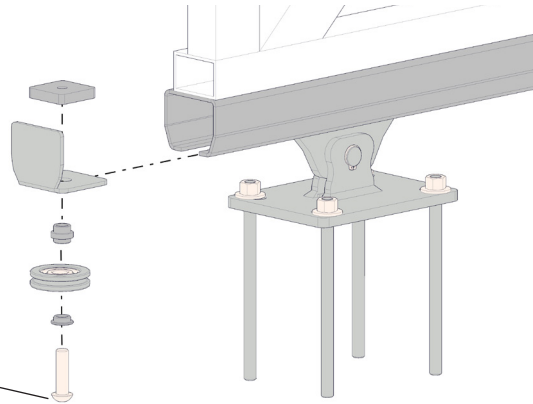
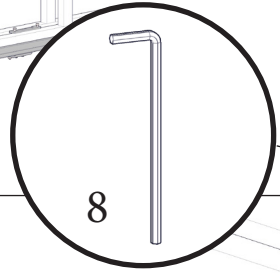
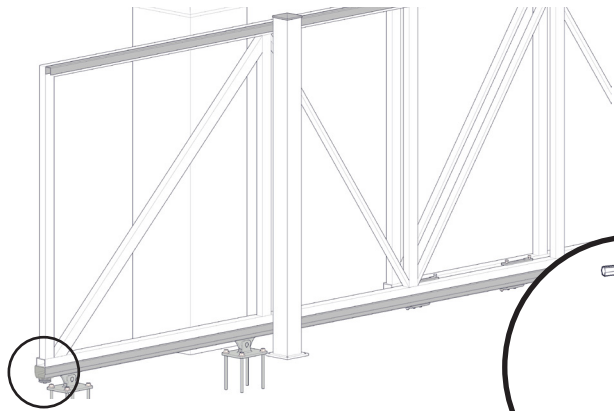


STEP 10

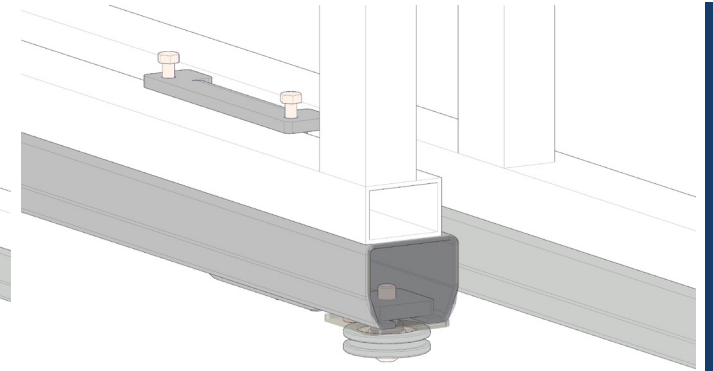
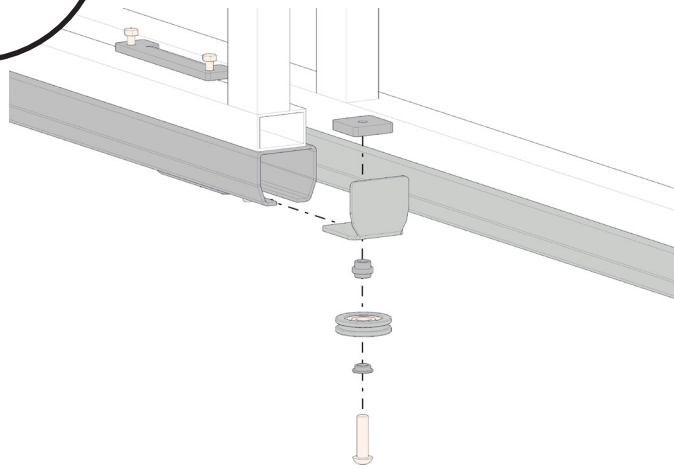
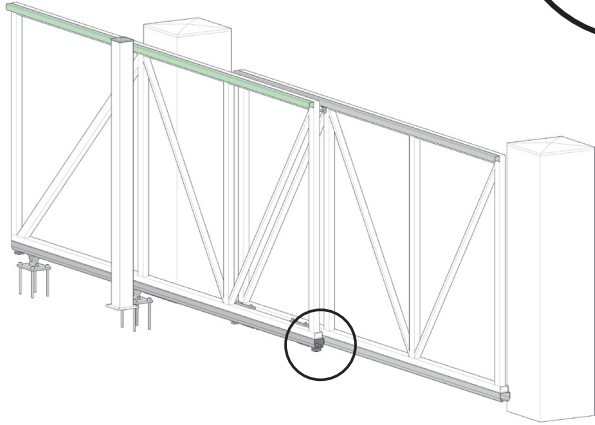




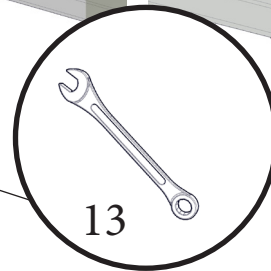
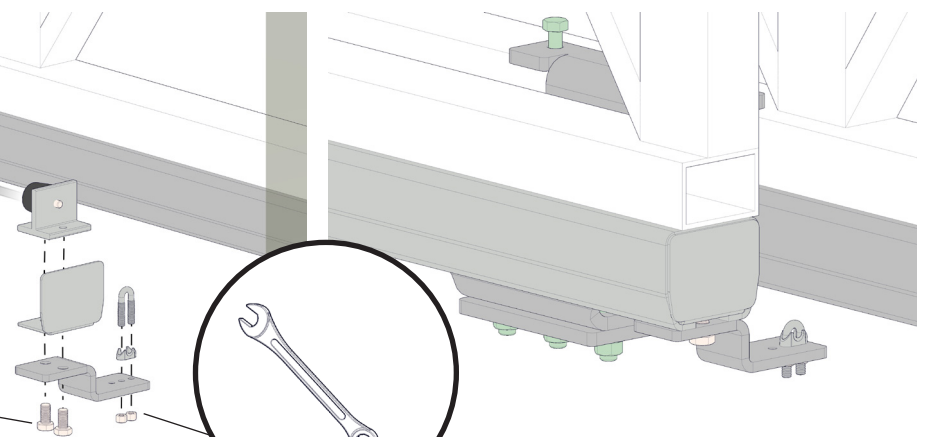
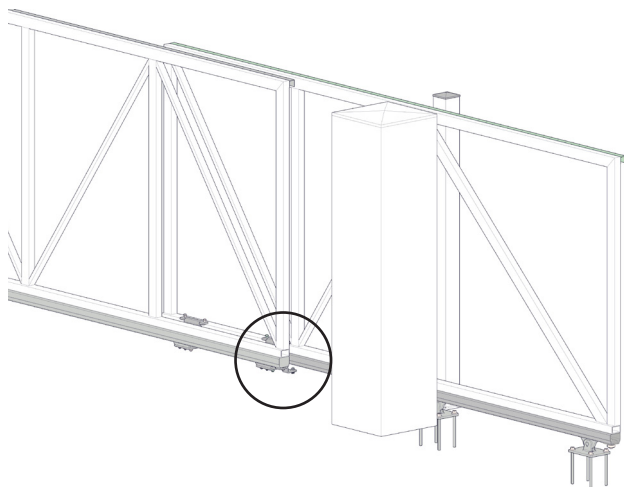




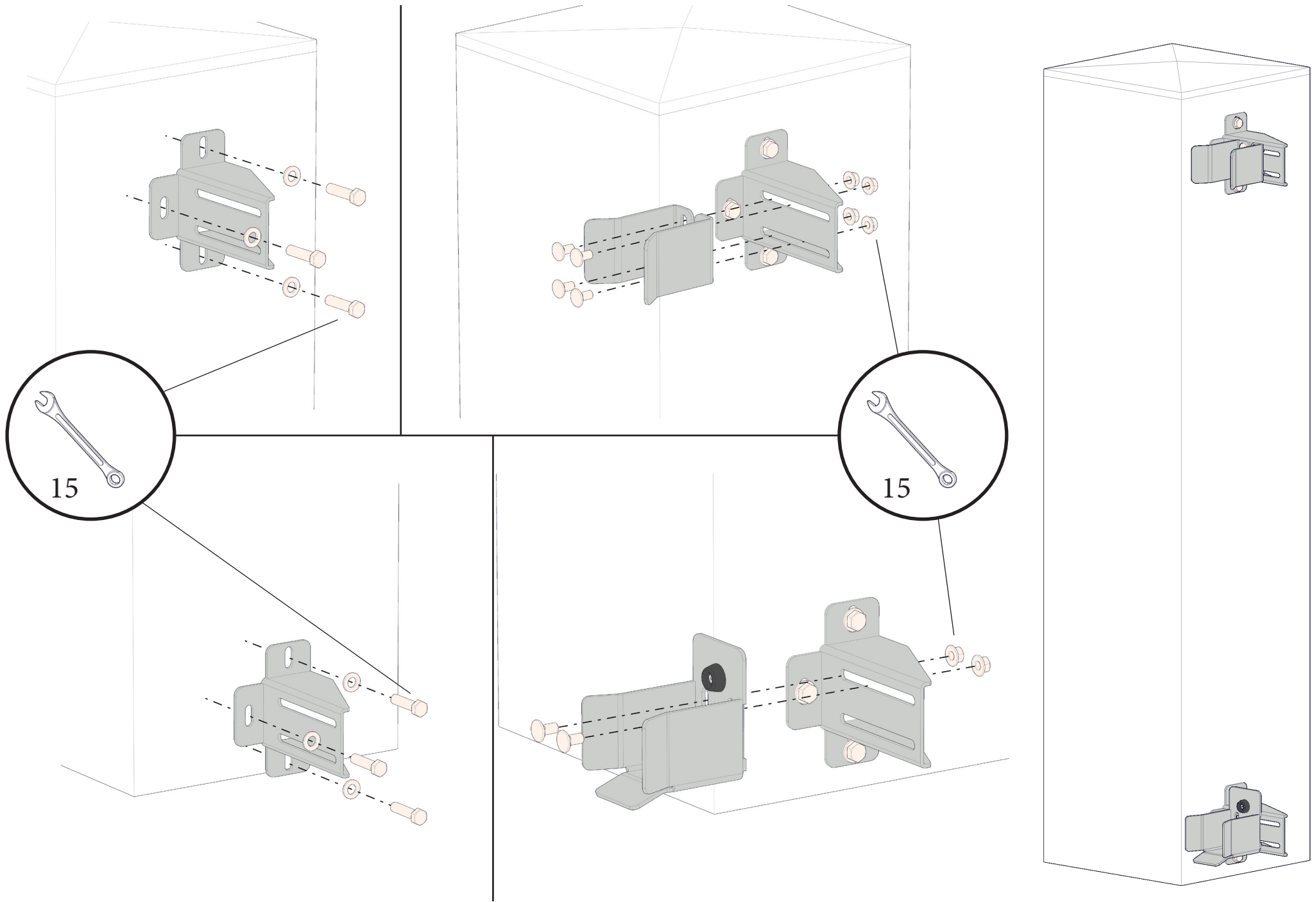
STEP 16



STEP 17

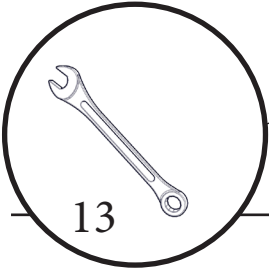
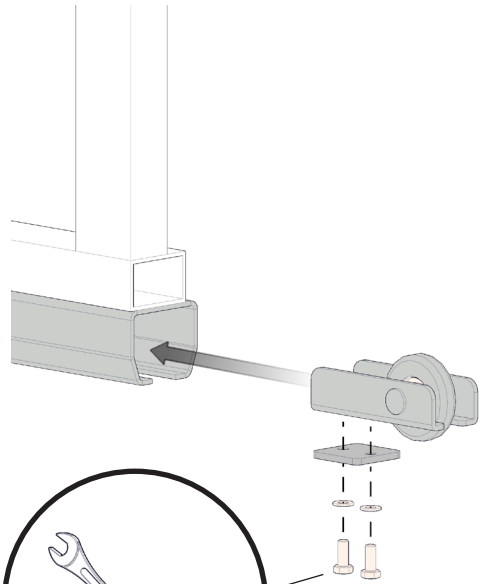


STEP 18

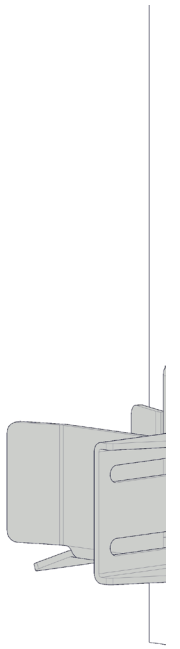
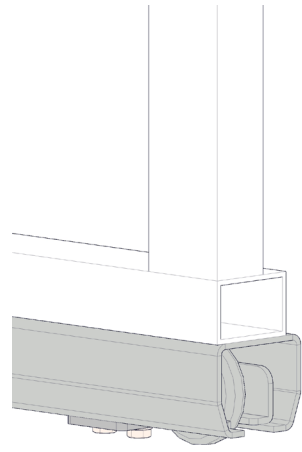
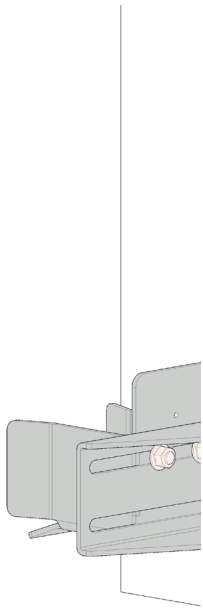


STEP 19

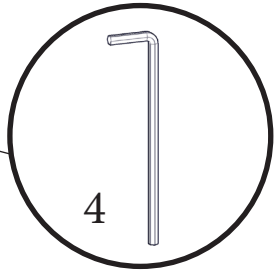
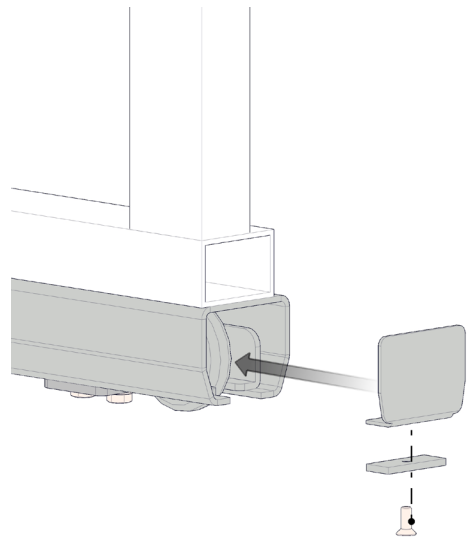
STEP 20



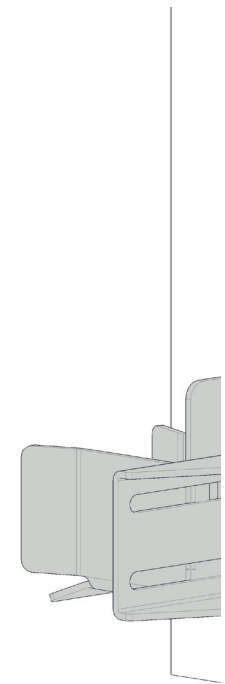
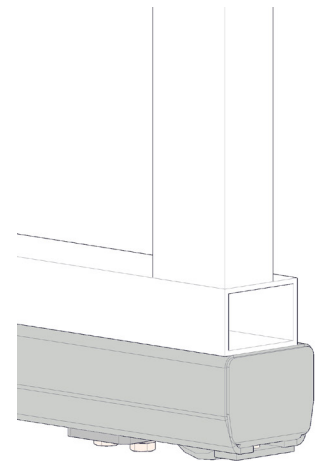
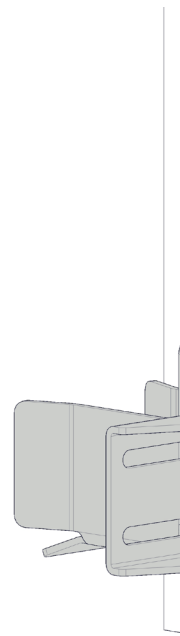
13



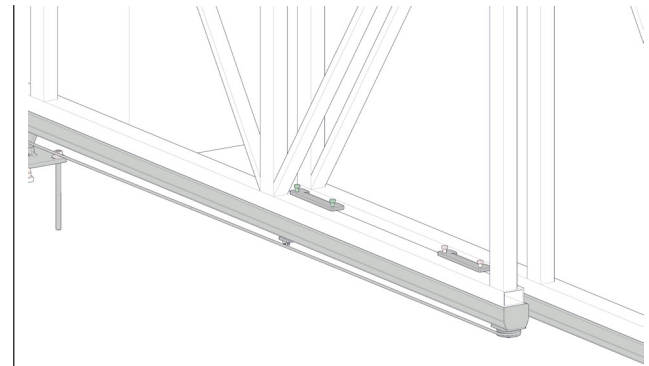
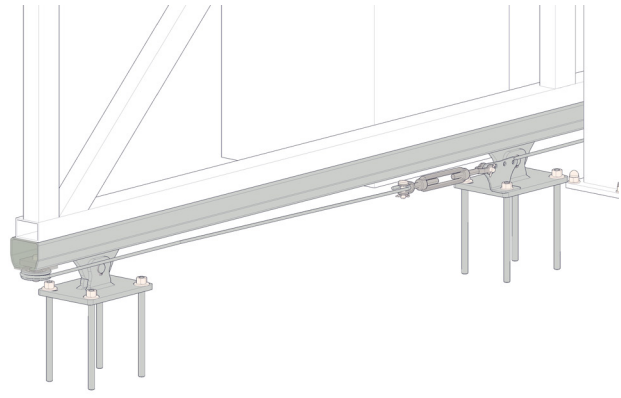
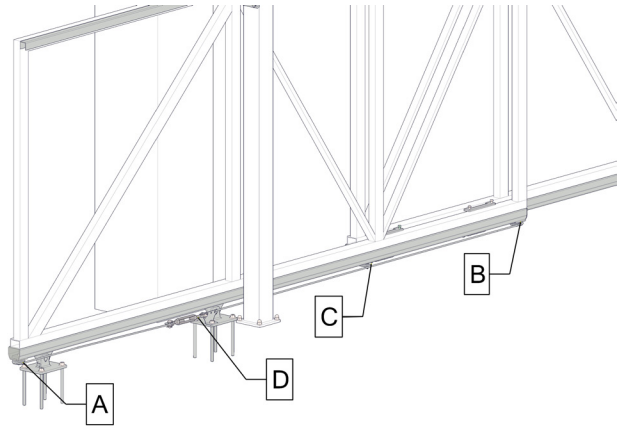
STEP 21



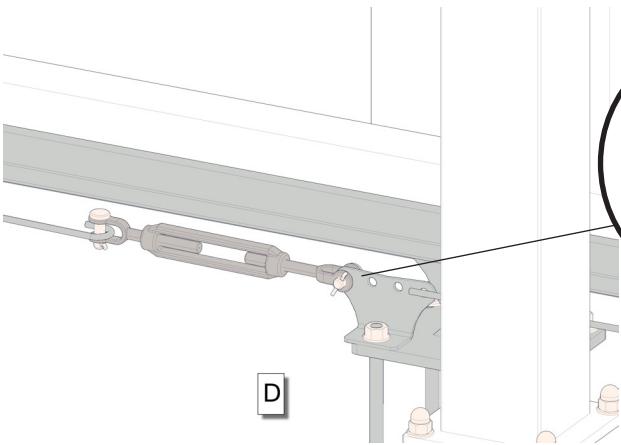
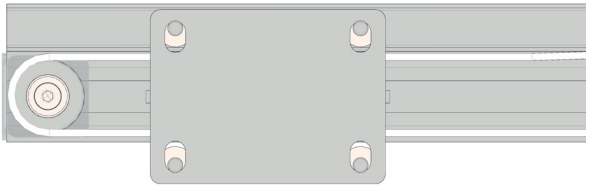
4



STEP 22

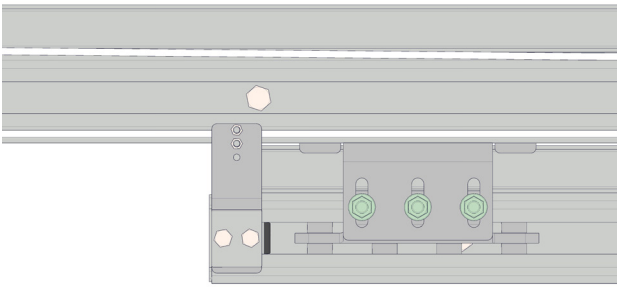


A

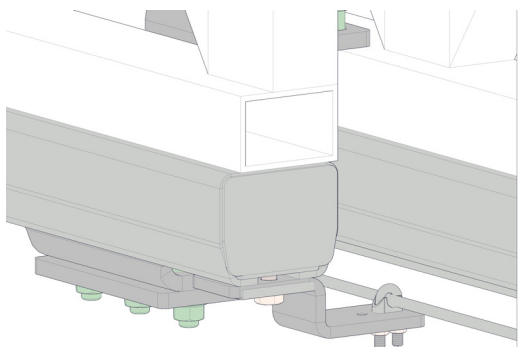


13

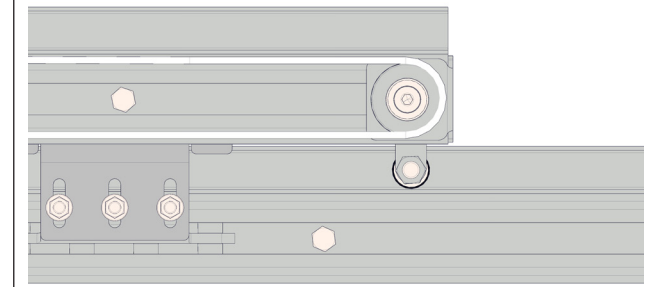
D



C



C



B

