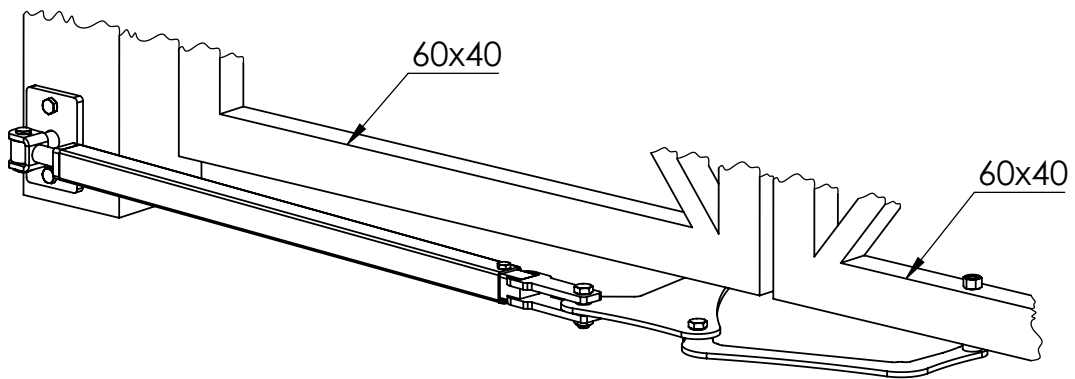
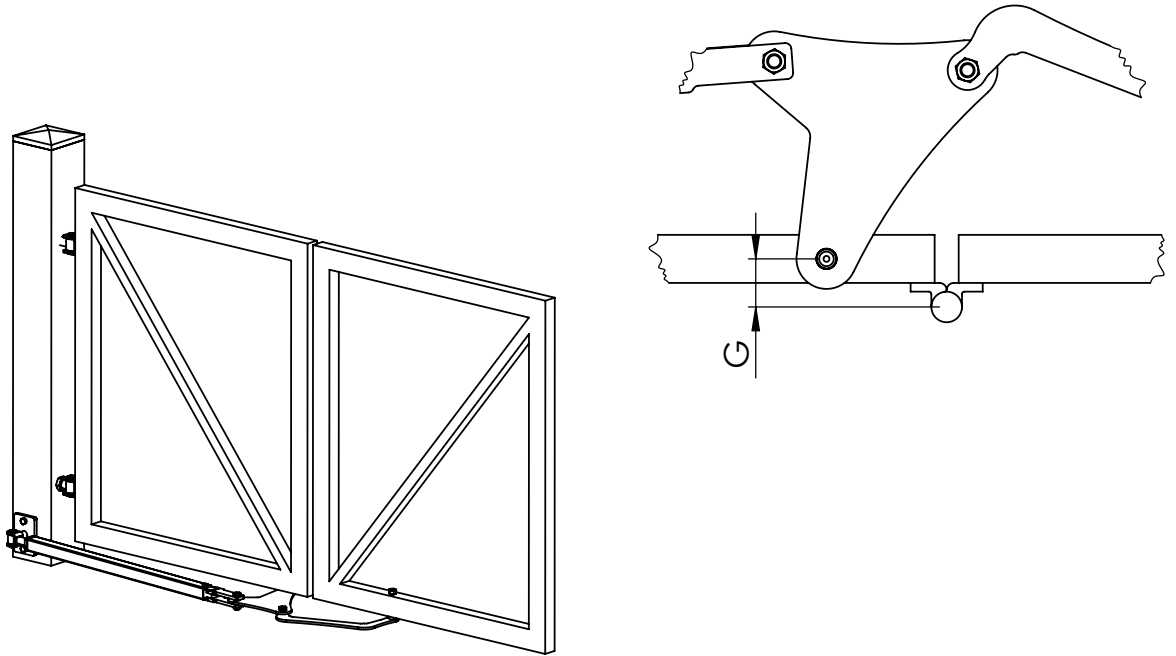
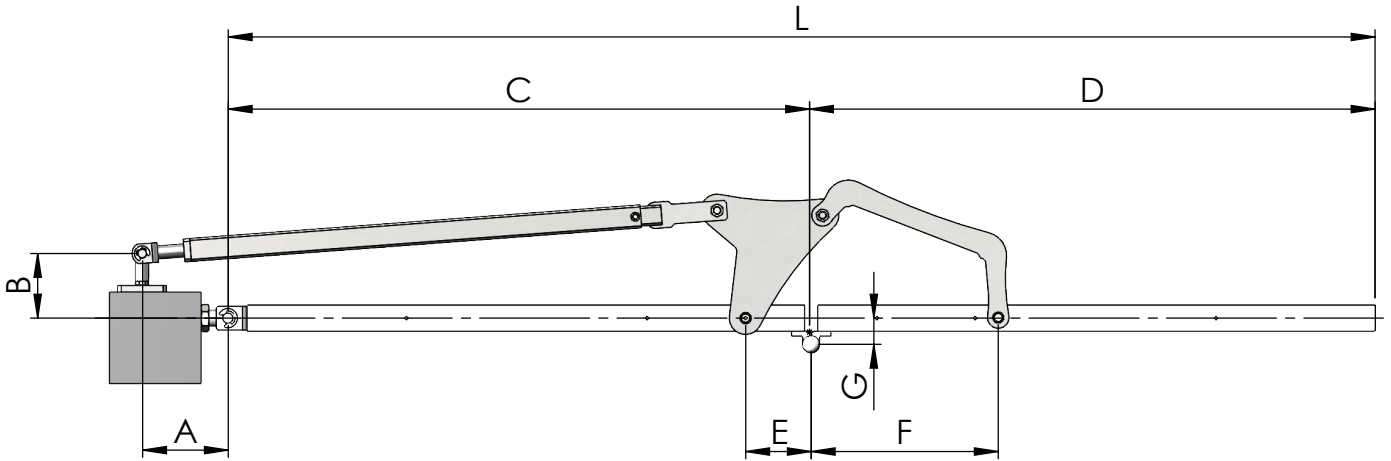




# TWIN DRIVE



Valid for gate frame 60x40

L max.	A	B	C min. / max.	D min. / max.	E	F	G
mm							
2500	130	90	850 - 1250	300 - 1250	100	250	40