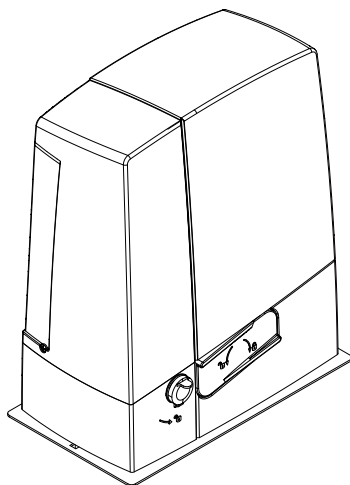




**Sliding gate operator  
BXV series**

FA01004-EN



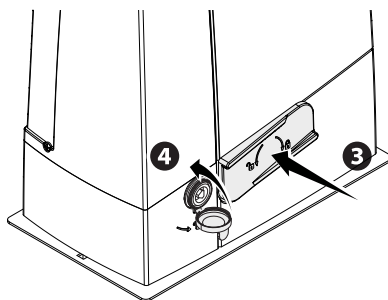
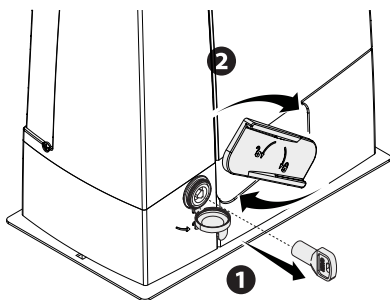
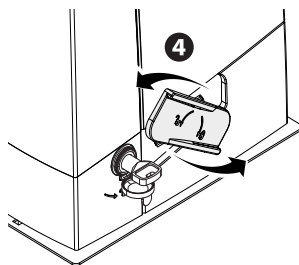
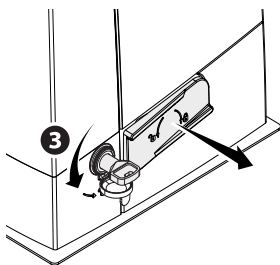
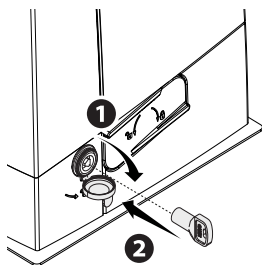
**BXV04AGM**

**BXV04AGS / BXV06AGS / BXV08AGS / BXV10AGS**

**BXV04RGS / BXV06RGS / BXV08RGS / BXV10RGS**

**INSTALLATION MANUAL**

EN English



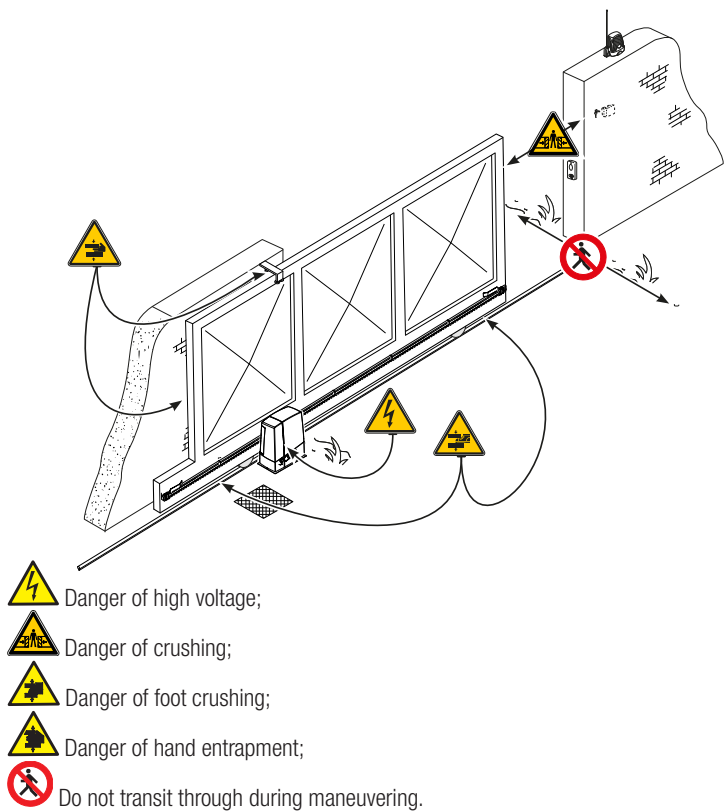
 **WARNING! Important safety instructions.**

**Follow all of these instructions. Improper installation can cause serious bodily harm.  
Before continuing, also read the general precautions for users.**




This product must only be used for its specifically intended purpose. Any other use is dangerous. Came S.P.A. is not liable for any damage caused by improper, wrongful and unreasonable use. • This manual's product is defined by machinery directive 2006/42/CE as "partly-completed machinery". Partly-completed machinery is a set that almost constitutes a machine, but which, alone, cannot ensure a clearly defined application. Partly-completed machinery is only destined to be incorporated or assembled to other machinery or other partly-completed machinery or apparatuses to build machinery that is regulated by Directive 2006/42/CE. The final installation must be compliant with European directive 2006/42/CE and current European reference standards. Given these considerations, all procedures stated in this manual must be exclusively performed by expert, qualified staff • The manufacturer declines any liability for using non-original products; which would result in warranty loss • Keep this manual inside the technical folder along with the manuals of all the other devices used for your automation system • Check that the operator's specified temperature range suits the locations where it will be installed • Laying the cables, installation and testing must follow state-of-the-art procedures as dictated by regulations • If the power-supply cable is damaged, replace it immediately through the manufacturer or an authorized technical assistance center, or qualified staff, to prevent any risk • Make sure the mains power supply is disconnected during all installation procedures • The operator cannot be used with gates fitted with pedestrian gates, unless its operation can be activated only when the pedestrian gate is in safety position • Make sure that people are not entrapped between the gate's moving and fixed parts due to the gate's movement • Before installing the operator, check that the gate is in proper mechanical condition, that it is properly balanced and that it properly closes: if any of these conditions are not met, do not continue before having met all safety requirements • Make sure the gate is stable and the carriage function properly and are well-greased, and that it opens and closes smoothly • The guide rail must be well-fastened to the ground, entirely above the surface and free of any impediments to the gate's movement. • The rails of the upper guide must not cause any friction • Make sure that opening and closing limiters are fitted • Make sure the operator is installed onto a sturdy surface that is protected from any collisions • Make sure that mechanical stops are already installed. • If the operator is installed lower than 2.5 from the ground or from any other access level, fit protections and signs to prevent hazardous situations • Do not fit the operator upside down or onto elements that could yield under its weight. If necessary, add reinforcements to the fastening points • Do not install onto tilted gate leaves • Check that no lawn watering devices spray the operator with water from the bottom up • Any residual risks must be indicated clearly with proper signage affixed in visible areas. All of which must be explained to end users. • Suitably section off and demarcate the entire installation site to prevent unauthorized persons from entering the area, especially minors and children • Affix cautionary signs, such as, the gate plate, wherever needed and in plain sight. • Use proper protections to prevent mechanical hazards when people are loitering around the machinery's range of action, for example, to prevent finger crushing between the rack and pinion • The electrical cables must run through the cable glands and must not touch any heated parts, such as the motor, transformer, and so on) • Make sure you have set up a suitable dual pole cut off device along the power supply that is compliant with the installation rules. It should completely cut off the power supply according to category III surcharge conditions • All opening controls must be installed at least 1.85 m from the perimeter of the gate's working area, or where they cannot be reached from outside the gate •

All switches in maintained-action mode must be positioned so that the moving gates leaves, the transit areas and vehicle thru-ways are completely visible, and yet the switches must be also away from any moving parts. • Unless the action is key operated, the control devices must be fitted at, at least, 1.5 m from the ground and unreachable by any unauthorized persons. • To pass the collision force test use a suitable sensitive safety-edge. Install it properly and adjust as needed. • Before handing over to users, check that the system is compliant with the 2006/42/CE uniformed Machinery Directive. Make sure the settings on the operator are all suitable and that any safety and protection devices, and also the manual release, work properly. • Affix a permanent tag, that describes how to use the manual release mechanism, close to the mechanism. • Make sure to hand over to the end user, all operating manuals for the products that make up the final machinery.

- The next figure shows the main hazard points for people -



## KEY

-  This symbol shows which parts to read carefully.
-  This symbol shows which parts describe safety issues
-  This symbol shows which parts to tell users about.


**The measurements, unless otherwise stated, are in millimeters.**

## DESCRIPTION

Operator complete with control board, movement control and obstruction detection device and mechanical limit switches for sliding gates weighing up 1,000 Kg and measuring 20 m in length.

## INTENDED USE

The operator is designed to power sliding gates in residential and apartment block settings.

-  Do not install or use this device in any way, except as specified in this manual.

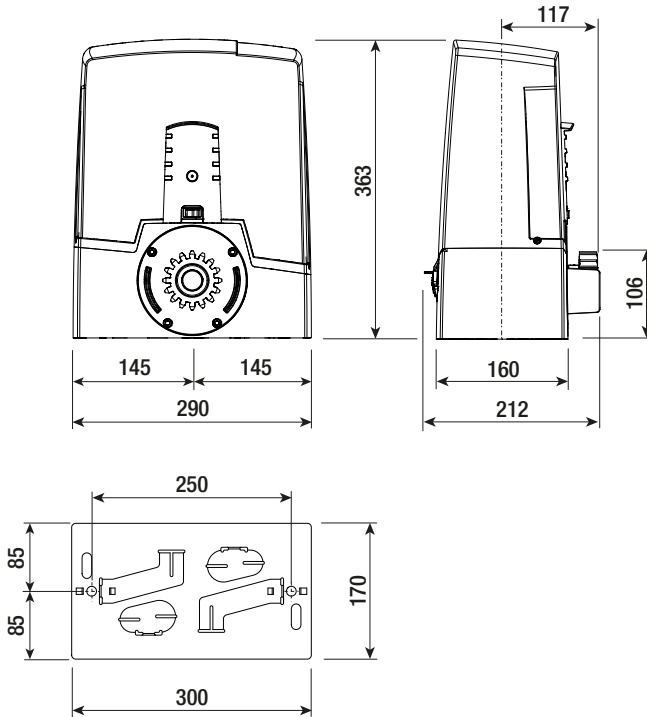
## LIMITS TO USE

Type	BXV04AGM BXV04AGS BXV04RGS	BXV06AGS BXV06RGS	BXV08AGS BXV08RGS	BXV10AGS BXV10RGS
Maximum gate-leaf length (m)	14	18	20	20
Maximum gate-leaf weight (kg)	400	600	800	1000
Pinion module	4	4	4	4

## TECHNICAL DATA

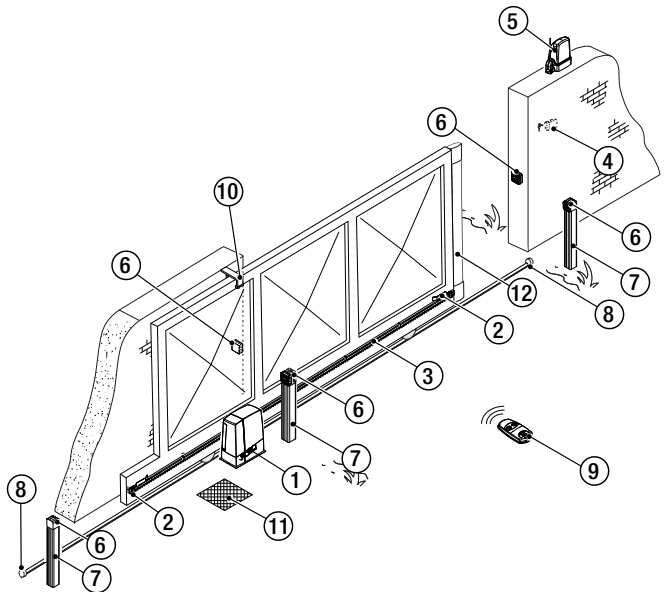
Type	BXV04AGM BXV04AGS BXV04RGS	BXV06AGS BXV06RGS	BXV08AGS BXV08RGS	BXV10AGS BXV10RGS
Protection rating (IP)			44	
Power supply (V - 50/60 Hz)			110 / 230 AC	
Input voltage motor (V)			24 DC	
Stand-by consumption (W)			5.5	
Stand-by consumption with the RGP1 (W) module			0.5	
Maximum power (W)	170	270	400	
Duty cycle			HEAVY-DUTY SERVICE	
Operating temperature (°C)			-20 to +55	
Thrust (N)	350	600	800	1000
Maneuvering speed (m/min)		12		11
Weight (Kg)	10	10.5	11.5	11.7

## DIMENSIONS



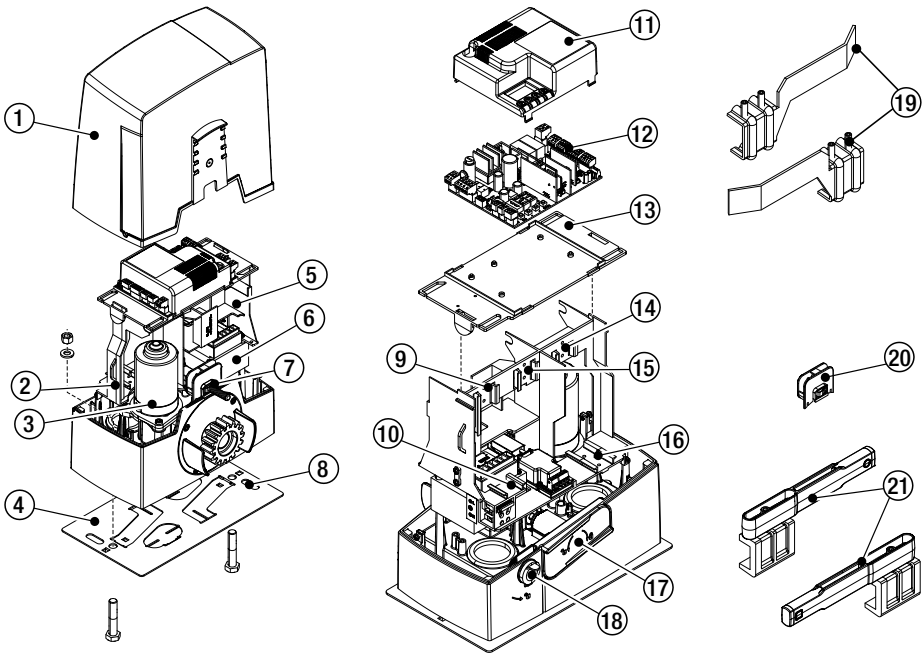
## STANDARD INSTALLATION

1. Operator
2. Limit-switch fins
3. Rack
4. Selector
5. Flashing light
6. Photocells
7. Photocell post
8. Mechanical gate stop
9. Transmitter
10. Slide guides
11. Junction pit
12. Sensitive safety-edge



## DESCRIPTION OF PARTS

1. Cover
2. Board-fitting support
3. Gear motor
4. Anchoring plate
5. Housing for two emergency batteries
6. Transformer
7. Mechanical limit switch
8. Release cable threading hole
9. Housing for the RGP1 module
10. Housing for thermostat with heating rod
11. Protection card lid
12. Control board
13. Control-board holder
14. Housing for the RLB battery charger
15. Housing for UR042 module
16. Housing for SMA and RGSM001 sensors
17. Release lever
18. Lock
19. Limit-switch fins
20. Magnetic sensor (BXV04AGM only)
21. Magnetic limit-switch tabs (BXV04AGM only)



## GENERAL INSTALLATION INDICATIONS

△ Only skilled, qualified staff must install this product.

### PRELIMINARY CHECKS

△ Before beginning the installation, do the following:

- check that the upper slide-guides are friction-free;
- make sure there is are opening and closing mechanical gate stops;
- make sure that the point where the gear motor is fastened is protected from any impacts and that the surface is solid enough;
- set up suitable tubes and conduits for the electric cables to pass through, making sure they are protected from any mechanical damage.

### CABLE TYPES AND MINIMUM SECTIONS

Connection	cable length	
	< 20 m	20 < 30 m
Input voltage for 230 V AC control board (1P+N+PE)	3G x 1.5 mm <sup>2</sup>	3G x 2.5 mm <sup>2</sup>
Signaling devices	2 x 0.5 mm <sup>2</sup>	
Command and control devices	2 x 0.5 mm <sup>2</sup>	
Safety devices (photocells)	(TX = 2 x 0.5 mm <sup>2</sup> )	
	(RX = 2 x 0.5 mm <sup>2</sup> )	

📖 When operating at 230 V and outdoors, use H05RN-F-type cables that are 60245 IEC 57 (IEC) compliant; whereas indoors, use H05VV-F-type cables that are 60227 IEC 53 (IEC) compliant. For power supplies up to 48 V, you can use FROR 20-22 II-type cables that comply with EN 50267-2-1 (CEI).

📖 To connect the antenna, use the RG58 (we suggest up to 5 m).

📖 For paired connection and CRP, use a UTP CAT5-type cable (up to 1,000 m long).

📖 If cable lengths differ from those specified in the table, establish the cable sections depending on the actual power draw of the connected devices and according to the provisions of regulation CEI EN 60204-1.

📖 For multiple, sequential loads along the same line, the dimensions on the table need to be recalculated according to the actual power draw and distances. For connecting products that are not contemplated in this manual, see the literature accompanying said products



## INSTALLING

△ The following illustrations are mere examples. Consider that the space available where to fit the barrier and accessories will vary depending on the area where it is installed. It is up to the installer to find the most suitable solution.

### CORRUGATED TUBE LAYING

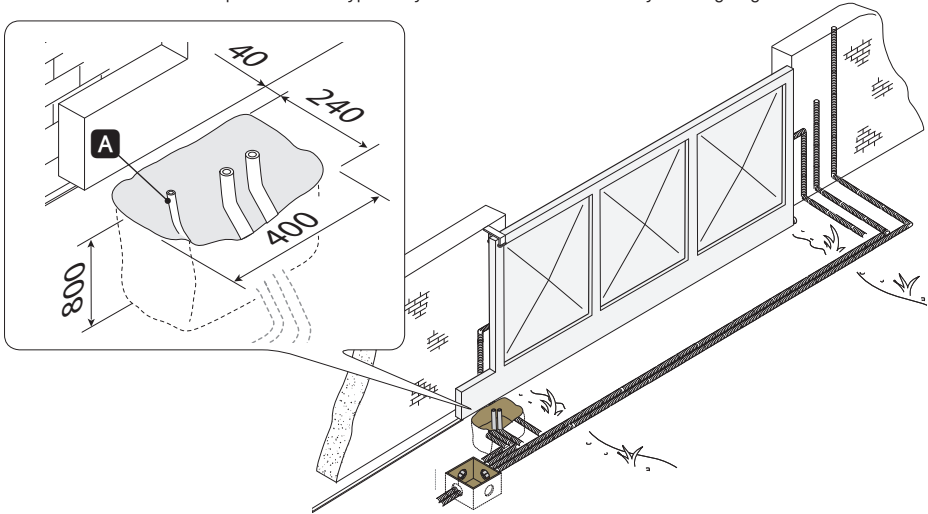
Dig a hole for the foundation frame.

Set up the corrugated tubes needed for the wiring coming out of the junction pit.

For connecting the gearmotor we suggest using a  $\varnothing$  40 mm corrugated tube, whereas for the accessories we suggest  $\varnothing$  25 mm tubes.

Set up a  $\varnothing$  20 mm tube for running through the external release cable **A**.

📖 The number of tubes depends on the type of system and the accessories you are going to fit.

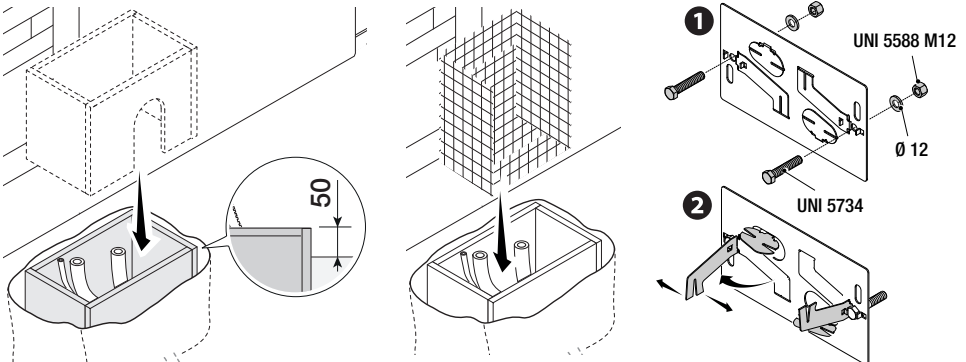


### LAYING THE ANCHORING PLATE

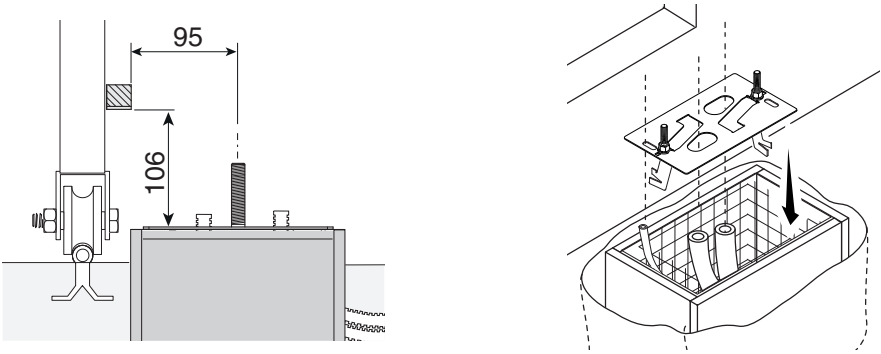
Set up a foundation frame that is larger than the anchoring plate and sink it into the dug hole. The foundation frame must jut out by 50 mm above ground level.

Fit an iron cage into the foundation frame to reinforce the concrete.

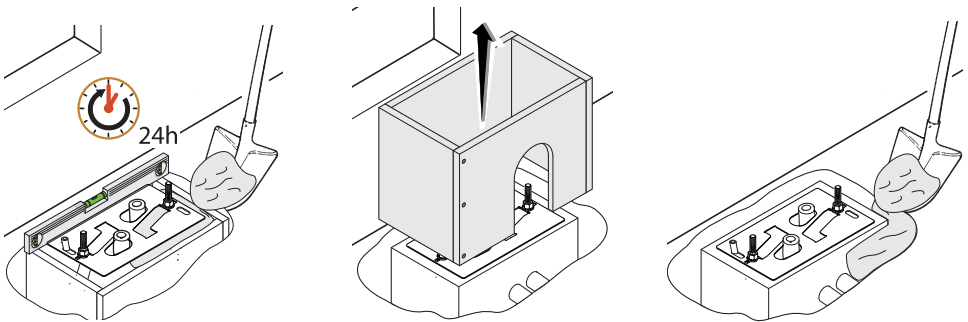
Fit the bolts into the anchoring plate and lock them using the washers and nuts. Remove the pre-shaped clamps using a screw driver or pliers.



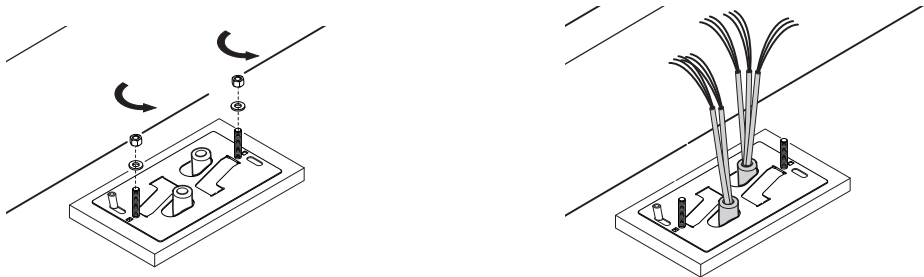
If the rack is already there, place the anchoring plate, being careful to respect the measurements shown in the drawing.  
Careful! The tubes must pass through their corresponding holes.



Fill the foundation frame with concrete. The plate must be perfectly level with the bolts which are entirely above surface.  
Wait at least 24 hrs for the concrete to solidify.  
Remove the foundation frame and fill the hole with earth around the concrete block.

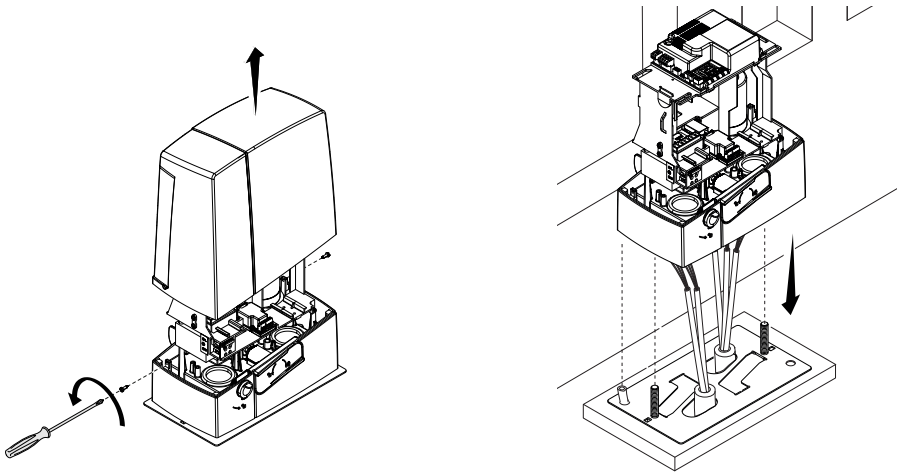


Remove the nut and washer from the bolts  
Fit the electric cables into the tubes so that they come out about 600 mm.

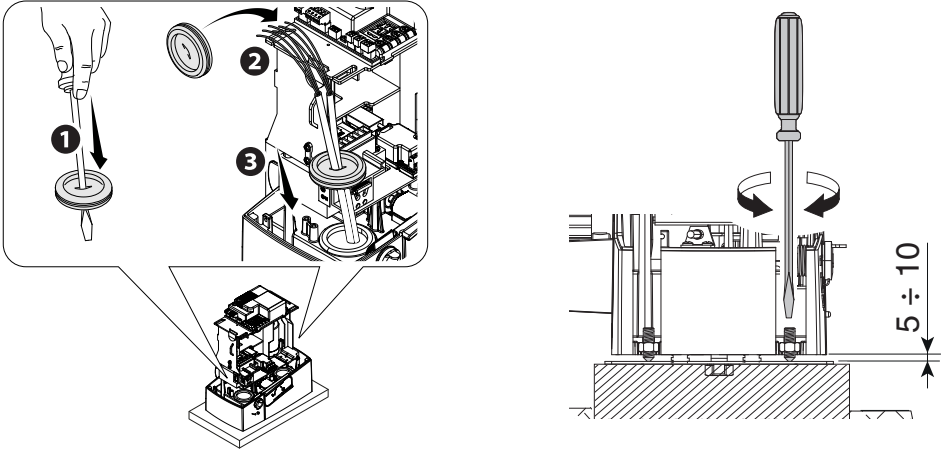


## SETTING UP THE GEARMOTOR

Remove the gearmotor cover by loosening the side screws.  
Place the gearmotor above the anchoring plate.  
Careful! The electric cables must pass under the gearmotor case.



Perforate the cable gland, pass the cables through and fit it into its corresponding housing.  
Raise the gearmotor by 5 to 10 mm from the plate by turning the threaded feet, to make room for further pinion and rack adjustments.

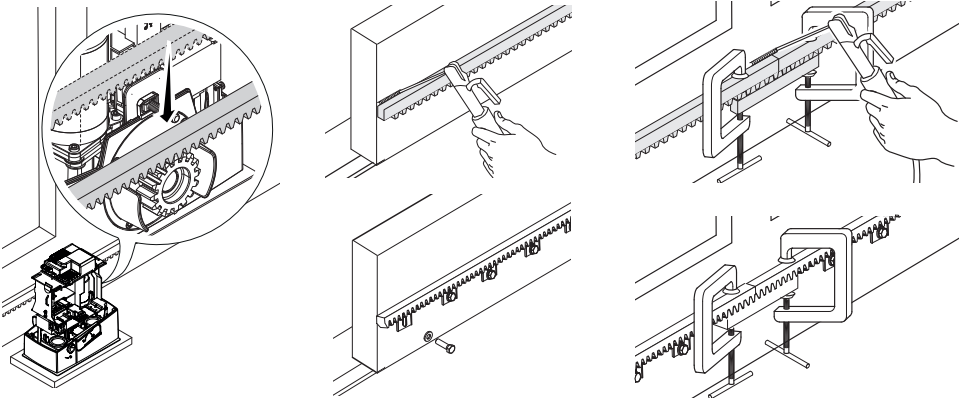


## FASTENING THE RACK

📖 If the rack is already set up, the next step should be to adjust the rack-and-pinion coupling distance, otherwise, fasten it:

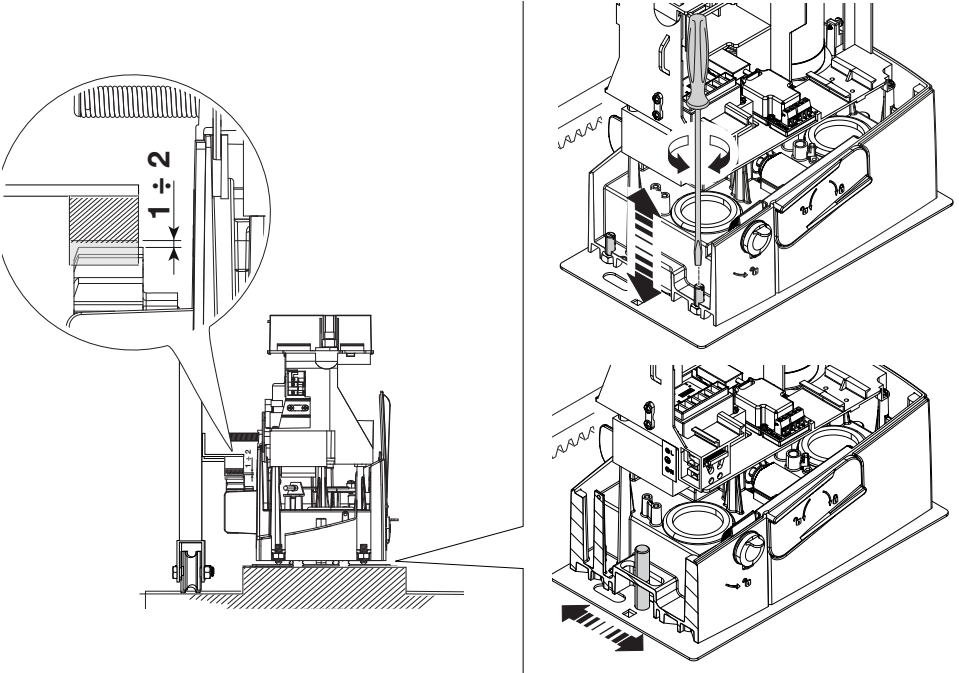
- release the gearmotor (see **RELEASING THE GEARMOTOR** paragraph);
- rest the rack above the gearmotor pinion;
- weld or fasten the rack to the gate along its entire length.

To assemble the rack modules, use an extra piece and rest it under the joint, then fasten it using two clamps.



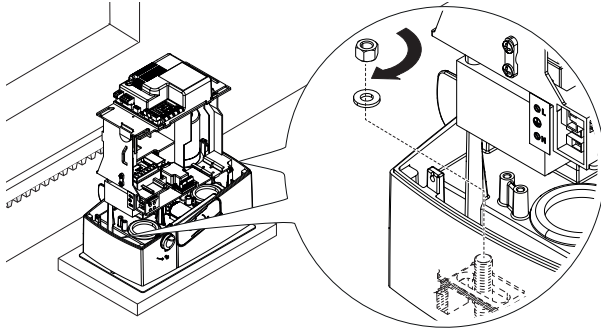
## ADJUSTING THE PINION-RACK COUPLING

Manually open and close the gate and adjust the pinion-rack coupling distance using the threaded feet (vertical adjustment) and the holes (horizontal adjustment). This prevents the gate's weight from bearing down on the operator.



## FASTENING THE GEAR MOTOR

Complete the adjusting, fasten the gearmotor to the plate using the washers and nuts.

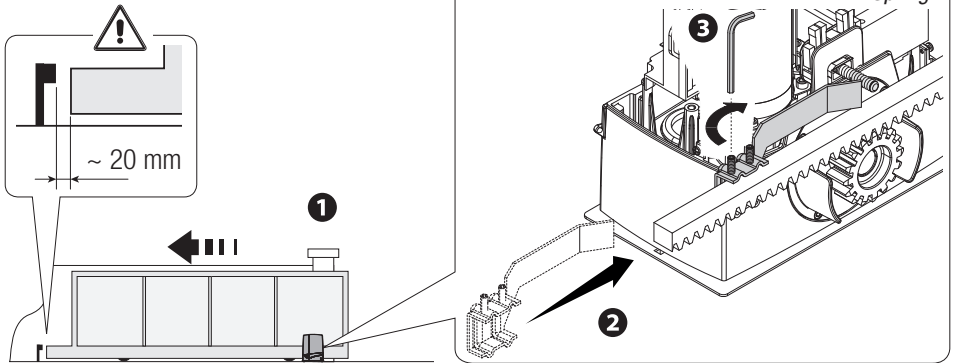


## ESTABLISHING THE LIMIT-SWITCH POINTS

### Mechanical limit-switches

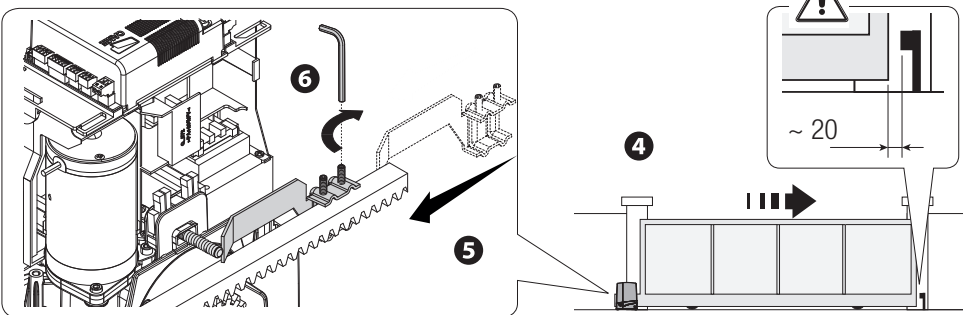
For opening:

- open the gate **1**;
- fit the opening limit-switch fin onto the rack until the micro switch activates (spring) and fasten it using the grub screws **2** **3**.



For closing:

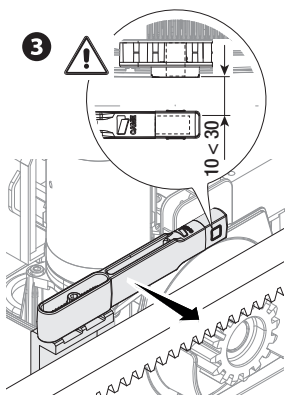
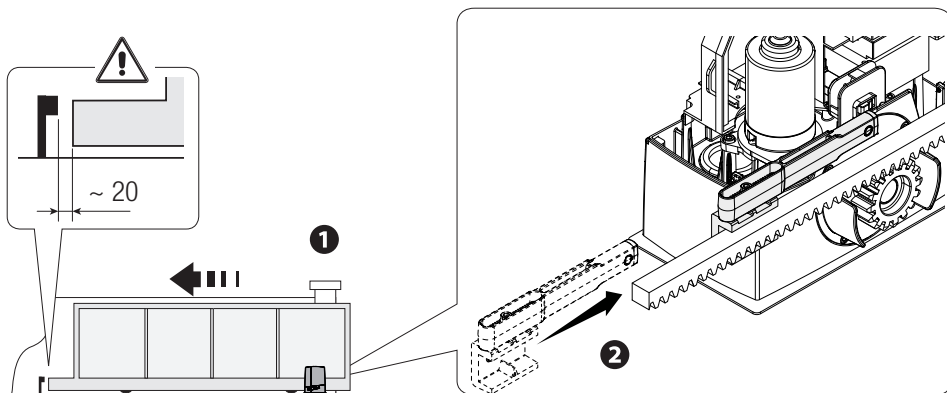
- close the gate **4**;
- fit the closing limit-switch fin into the rack until the micro-switch is activated (spring) and fasten it using the grub screws **5** **6**.



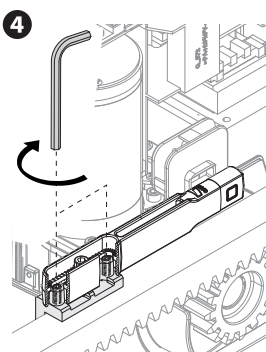
## Limit-switch with magnetic sensor (BXV04AGM only)

For opening:

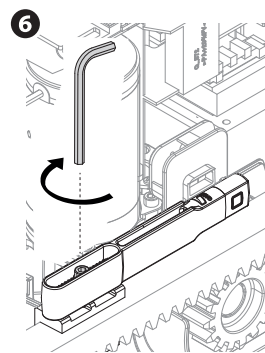
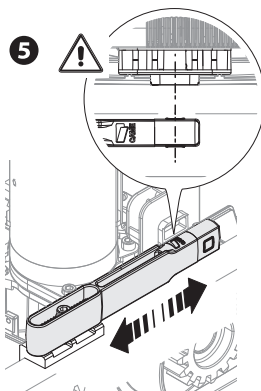
- open the gate; **1**
- switch, magnetic tab onto the rack while keeping the magnet - between 10 and 30 mm, away from the magnetic sensor; **2 3**



- place the tab magnet perpendicularly to the magnetic sensor; **5**
- tighten the screw to fasten the tab. **6**

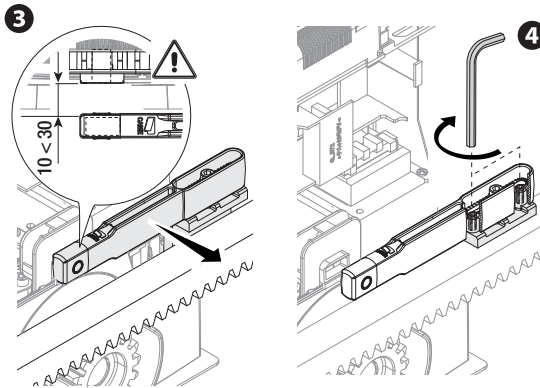
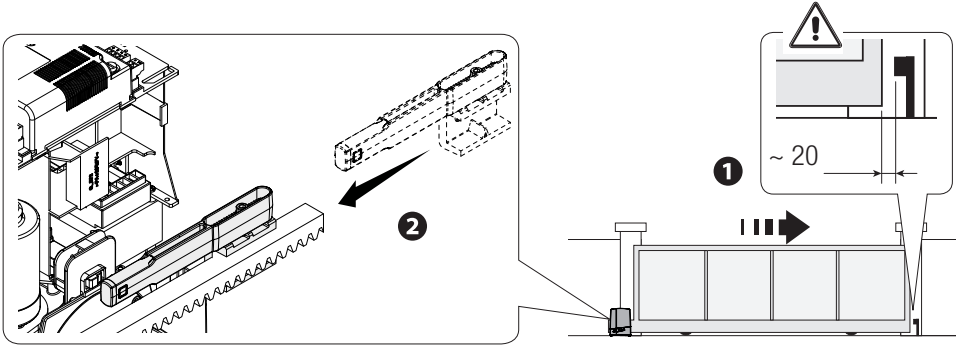


- Fasten the tab brace to the rack by using the headless screws; **4**



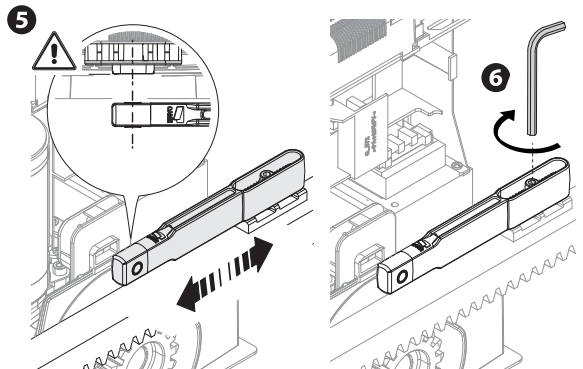
For closing:

- close the gate **1**
- switch, magnetic tab onto the rack while keeping the magnet - between 10 and 30 mm, away from the magnetic sensor; **2 3**



- Fasten the tab brace to the rack by using the headless screws; **4**

- place the tab magnet perpendicularly to the magnetic sensor; **5**
- tighten the screw to fasten the tab. **6**



## ELECTRICAL CONNECTIONS AND PROGRAMMING

⚠Caution! Before working on the control panel, cut off the mains power supply and remove any batteries.

Power supply to the control board and control devices : 24 V AC/ DC.

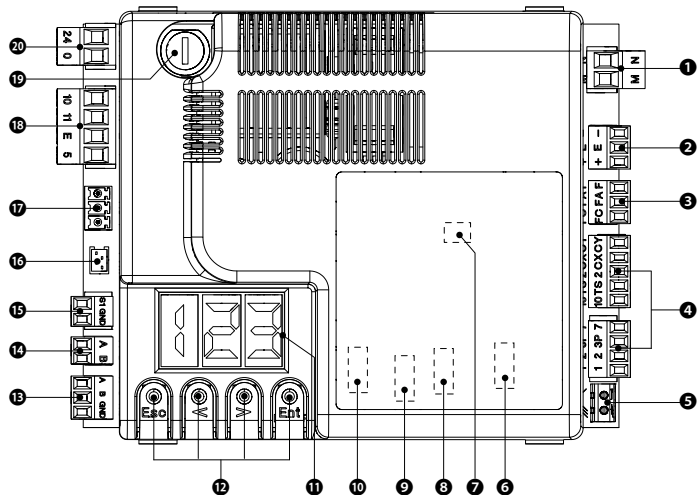
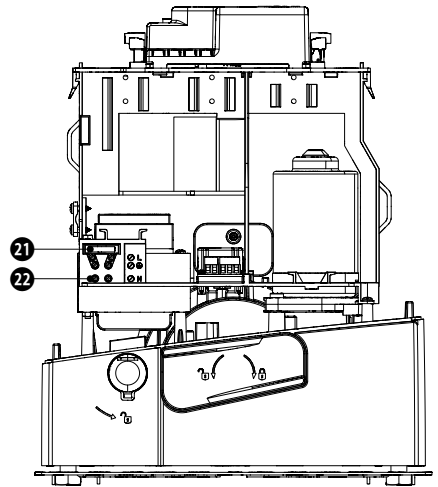
Functions on the input and output contacts, time adjustments and user-management settings are set and viewed on the control board's display.

All wiring connections are quick-fuse protected.

Fuses	ZN7
LINE - Line	1.6 A-F (230 V) / 3.15 A-F (110 V)
ACCESSORIES - Accessories	2 A-F

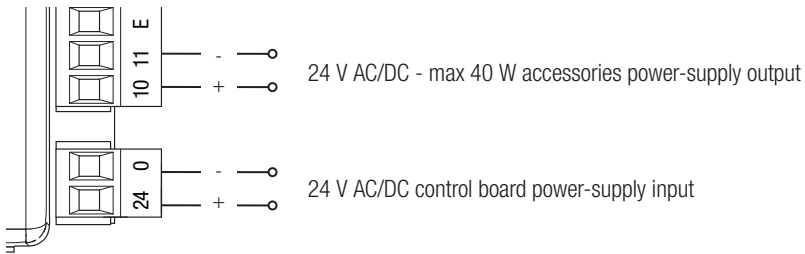
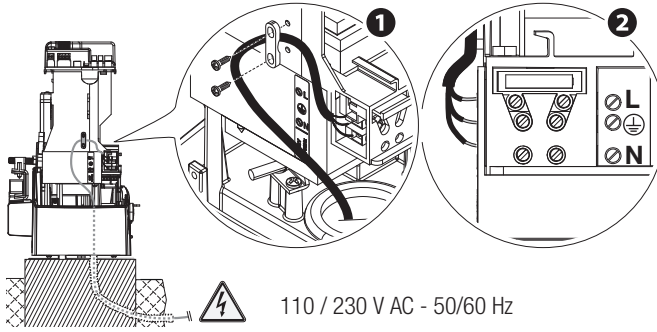
### DESCRIPTION OF PARTS

1. Terminal for gearmotors
2. Terminals for encoders
3. Terminals for limit-switches
4. Command and safety devices terminals
5. Antenna terminal
6. AF card slot
7. Memory Roll card connector
8. R700/R800 board connector
9. RSE card slot
10. Connector for the RIOCN8WS card
11. Display
12. Programming buttons
13. Terminals for paired of CRP connection
14. Terminal board for keypad devices
15. Terminal board for transponder selector
16. Connector for the GSM module
17. Terminals for the RGP1 module
18. Terminals for signaling devices
19. Accessories fuse
20. Terminals for powering the control board
21. Line fuse
22. Power supply terminal board

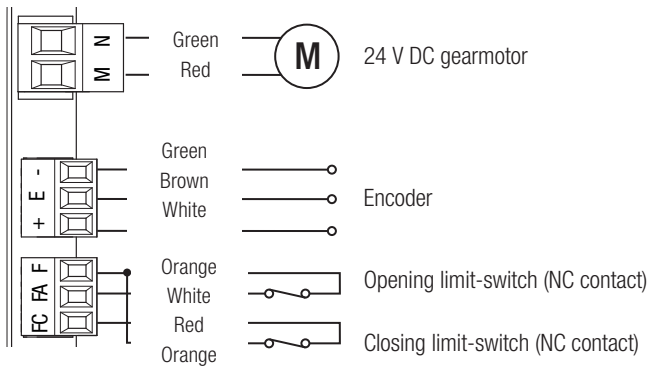




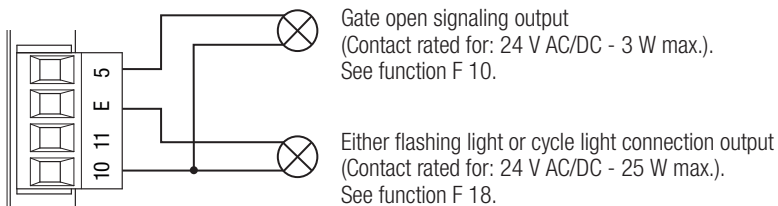
## INPUT VOLTAGE



## FACTORY WIRING

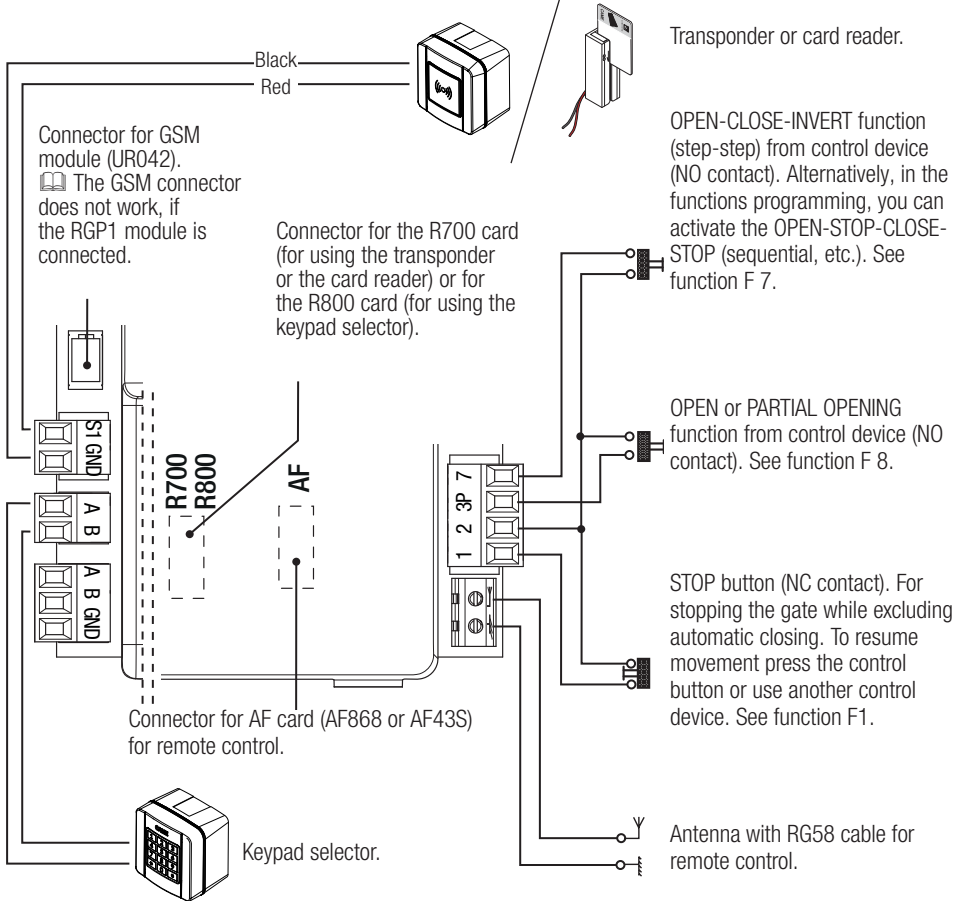


## SIGNALING DEVICES

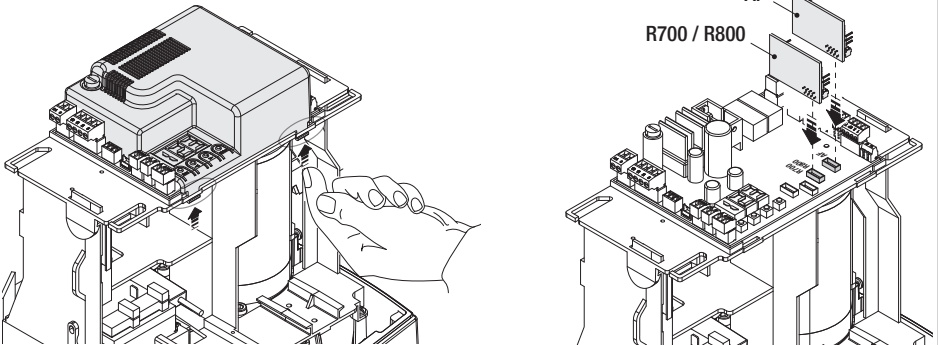


## COMMAND AND CONTROL DEVICES

**WARNING!** For the system to work properly, before fitting any plug-in card, such as the AF or R800 one, you **MUST CUT OFF THE MAINS POWER SUPPLY** and, if present, disconnect any batteries.



To be able to snap in the cards into the dedicated connectors, remove the card cover.




## SAFETY DEVICES

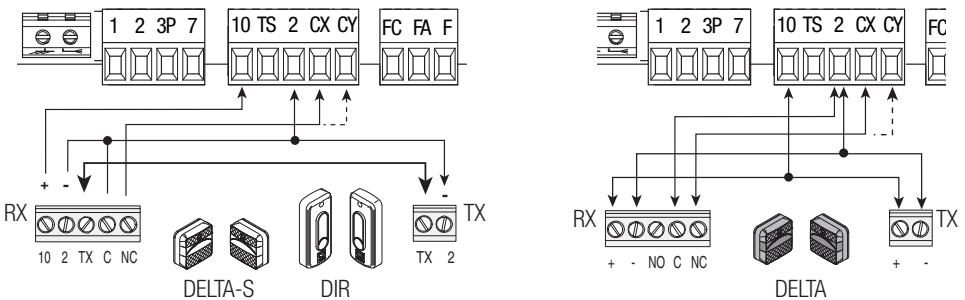
### Photocells

Configure contact CX or CY (NC), safety input for photocells.

See CX input functions (Function F2) or CY (Function F3) in:

- C1 reopening during closing. When the gate is closing, opening the contact triggers the inversion of movement until the gate is fully open again;
- C2 close back up during opening. When the gate is opening, opening the contact triggers the inversion of movement until the gate is completely closed.
- C3 partial stop. Stopping of the gate, if it is moving, with consequent automatic closing (if the automatic closing function has been entered);
- C4 obstruction wait. Stopping of the gate, if it is moving, which resumes movement once the obstruction is removed.

 If contacts CX and CY are not used they should be deactivated during programming.




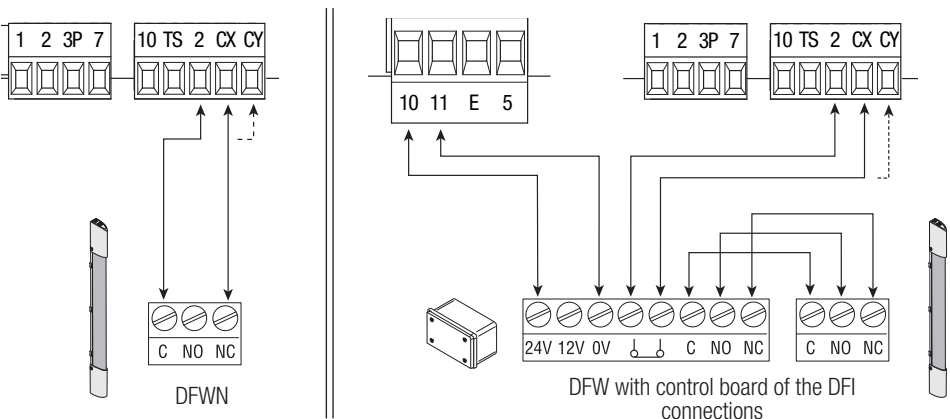
### Sensitive Safety Edges

Configure contact CX or CY (NC), safety input for sensitive safety-edges.

See CX input functions (Function F2) or CY (Function F3) in:

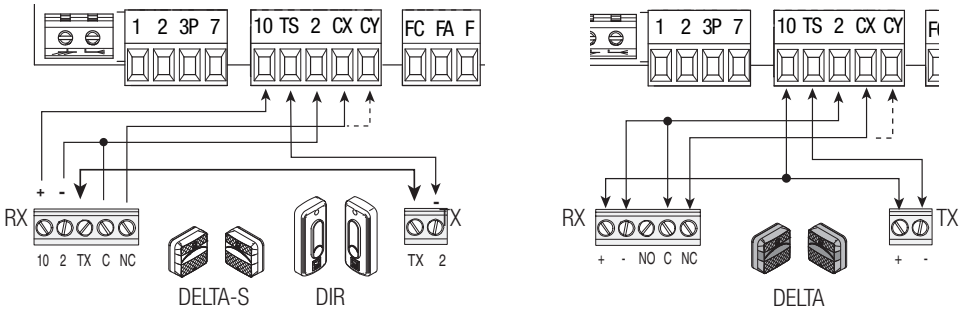
- C7 reopening during closing. When the gate is closing, opening the contact triggers the inversion of movement until the gate is fully open again;
- C8 reclosing during opening. When the gate is opening, opening the contact triggers the inversion of movement until the gate is fully closed.

 If contacts CX and CY are not used they should be deactivated during programming.



## Connecting the safety devices (i.e. the safety test)

At each opening and closing command, the control board checks the efficacy of the safety devices (such as photocells). Any malfunction inhibits any command and is signaled on display E4. Enable function F 5 in programming.



## RIO WIRELESS DEVICES

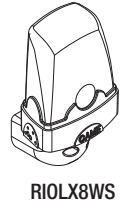
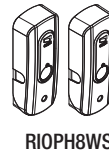
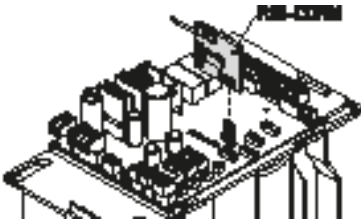
Plug the RIOCN8WS card into its corresponding connector on the control board.

Set the function to be associated to the wireless device (F65, F66, F67 e F68).

Configure the RIOED8WS, RIOPH8WS and RIOLX8WS wireless accessories by following the indications shown in the folder enclosed with each accessory.

📖 If the devices are not configured with the RIOCN8WS card, the display will read out E18.

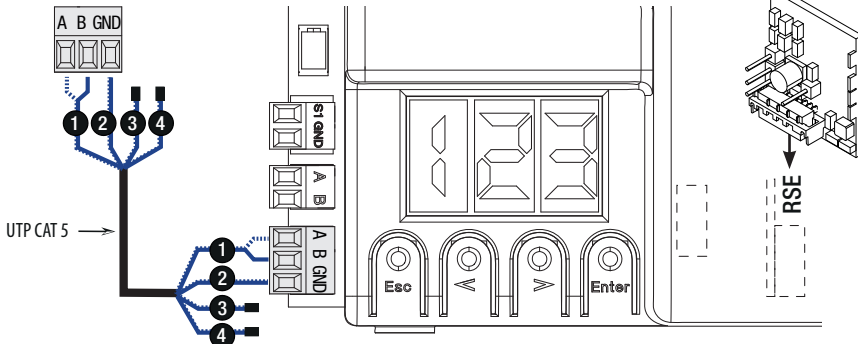
⚠️ If there are any radio-frequency disturbances to the system, the wireless system will inhibit the normal operation of the operator, and this error will show up on the display as E17.



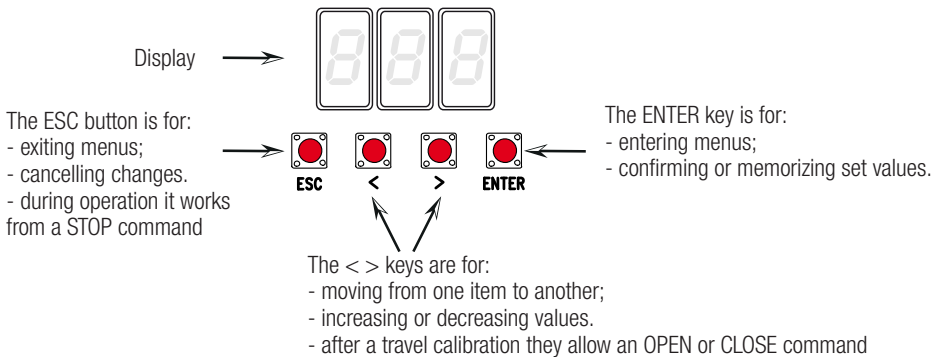
## CONNECTION FOR PAIRED OPERATION AND FOR CRP (CAME REMOTE PROTOCOL)

See the PAIRED CONNECTION WITH SINGLE CONTROL chapter.

Fit the RSE card.



## DESCRIPTION OF PROGRAMMING COMMANDS



## FUNCTIONS MENU



**IMPORTANT!** Start programming by first performing the following: MOTOR-TYPE SETTING (A1), OPENING DIRECTION (F54), TOTAL STOP (F1) and TRAVEL CALIBRATION (A3)








△ Only program functions when the operator is stopped.

📖 You can memorize up to 25 maximum users.

📖 When the menu is active, the system cannot be used.

<b>F1</b>	<b>Total stop [1-2]</b>	NC input – Gate stop that excludes any automatic closing; to resume movement, use the control device. The safety device is inserted into [1-2]. <b>OFF = Deactivated (default) / ON = Activated</b>
<b>F2</b>	<b>Input [2-CX]</b>	NC input – Can associate: C1 = reopening during closing by photocells, C2 = reclosing during opening by photocells, C3 = partial stop, C4 = obstruction wait, C7 = reopening during closing by sensitive safety-edges, C8 = reclosing during opening by sensitive safety-edges. <b>OFF = Deactivated (default) / C1 / C2 / C3 / C4 / C7 / C8</b>
<b>F3</b>	<b>Input [2-CY]</b>	NC input – Can associate: C1 = reopening during closing by photocells, C2 = reclosing during opening by photocells, C3 = partial stop, C4 = obstruction wait, C7 = reopening during closing by sensitive safety-edges, C8 = reclosing during opening by sensitive safety-edges. <b>OFF = Deactivated (default) / C1 / C2 / C3 / C4 / C7 / C8</b>
<b>F5</b>	<b>Safety test</b>	After every opening or closing command, the board will check whether the photocells are working properly. 📖 The safety test is always active for wireless devices. <b>0 = Deactivated (default) / 1=CX / 2=CY / 4=CX+CY</b>
<b>F6</b>	<b>Maintained action</b>	The barrier opens and closes by keeping a button pressed. Opening button on contact 2-3 and closing button on contact 2-4. All other control devices, even radio-based ones, are excluded. <b>0 = Deactivated (default) / 1 = Activated</b>
<b>F7</b>	<b>Command [2-7]</b>	From the control device connected to 2-7, it performs the (open-close-invert) step-step, (open-stop-close-stop), sequential, open or close command. <b>0 = Step-step (default) / 1 = Sequential / 2 = Open / 3 = Close</b>

F8	Command [2-3P]	From the control device connected to 2-3P, it performs a partial (1) or total opening (2) of the gate.  The partial opening time is adjusted on function F 71. <b>1 = partial opening / 2 = Open</b>
F9	Obstruction detection with motor stopped	With the gate closed, opened or totally stopped, the gearmotor stays idle if the safety devices, that is, photocells or sensitive safety-edges detect an obstruction. <b>OFF = Deactivated (default) / ON = Activated</b>
F10	Gate open signaling output	It signals the gate status. The signal device is connected to contact 10-5. <b>0 = lit when gate is open or moving (default) / 1 = during openings it flashes intermittently each half second, and during closings it flashes intermittently each second.</b> <i>It stays on steadily when the barrier is open, off or when it s closed.</i>
F11	Encoder	Managing slow-downs, obstruction detections and sensitivity. <b>OFF = Deactivated / ON = Activated (default)</b>
F12	Soft Start	With each opening and closing command, the gate starts moving slowly for a few seconds. <b>OFF = Deactivated (default) / ON = Activated</b>
F14	Sensor type selection	Setting the type of accessory for controlling the operator. <b>0 = command with transponder sensor or magnetic card reader / 1 = command with keypad selector (default).</b>
F18	Additional light	Output on contact 10-E. Flashing light: it flashes during the gate's opening and closing phases. Cycle: outdoor lamp for extra lighting in the driveway. It stays lit from when the gate starts opening to when it closes, including the waiting time prior to automatic closing (only with with TCA activated). <b>0 = Flashing light (default) / 1 = Cycle</b>
F19	Automatic Closing Time	The automatic-closing wait starts when the opening limit switch point is reached and can be set to between 1 and 180 seconds. The automatic closing does not work if any of the safety devices trigger when an obstruction is detected, or after a total stop, or during a power outage. <b>OFF = Deactivated (default) / 1 = 1 second / ... / 180 = 180 seconds</b>
F20	Automatic closing time after partial opening	The wait before the automatic closing starts after a partial opening command for an adjustable time of between 1 s and 180 s. The automatic closing does not work if any of the safety devices trigger when an obstruction is detected, or after a total stop, or during a power outage.  The F19 function must not be activated. <b>OFF = Deactivated / 1 = 1 seconds / ... / 10 = seconds (default) / ... / 180 = 180 seconds</b>
F21	Pre-flashing time	Adjusting the pre-flashing time for the flashing light connected to 10-E before each maneuver. The flashing time is adjustable from one to ten seconds. <b>OFF = Deactivated (default) / 1 = 1 seconds / ... / 10 = 10 seconds</b>
F28	Gate travel speed	Setting the gate's opening and closing speeds, calculated as a percentage. <b>60 = Minimum speed / ... / 100 = Maximum speed (default)</b>
F30	Slow-down speed	Setting the gate's opening and closing slow-down speed, calculated as a percentage. <b>10 = Minimum speed / ... / 50 = Maximum speed (default)</b>
F34	Travel sensitivity	Adjusting obstruction detection sensitivity during gate-leaf travel. <b>10 = maximum sensitivity / ... / 100 = minimum sensitivity (default)</b>

F35	<b>Slow-down sensitivity</b>	Adjusting obstruction detection sensitivity during slow-down. <i>10 = maximum sensitivity / ... / 100 = minimum sensitivity (default)</i>
F36	<b>Adjusting the partial opening</b>	Adjustment as a percentage of total travel, during gate opening.  This function appears only if the Encoder function is activated. <i>10 = 10% of the gate travel (default) / ... / 80 = 80% of the door travel</i>
F37	<b>Opening slow-down point</b>	Percentage adjustment of the total door travel, of the opening slow-down starting point.  This function appears only if the Encoder function is activated. <i>10 = 10% of the gate-leaf travel / ... / 25 = 25% of the gate-leaf travel (default) / ... / 60 = 60% of the gate-leaf travel</i>
F38	<b>Closing slow-down point</b>	Percentage adjustment of the total door travel, from the closing slow-down starting point.  This function appears only if the Encoder function is activated. <i>10 = 10% of the gate-leaf travel / ... / 25 = 25% of the gate-leaf travel (default) / ... / 60 = 60% of the gate-leaf travel</i>
F49	<b>Managing the serial connection</b>	To enable the paired operating mode or the CRP (Came Remote Protocol). <i>0 = Deactivated (default) / 1 = Paired / 3 = CRP</i>
F50	<b>Saving data</b>	Saving users and settings saved in the Memory Roll.  This function only appears if a Memory Roll has been plugged into the control board. <i>0 = Deactivated (default) / 1 = Activated</i>
F51	<b>Reading of data</b>	Uploading data saved in the Memory Roll.  This function only appears if a Memory Roll has been plugged into the control board. <i>0 = Deactivated (default) / 1 = Activated</i>
F52	<b>Transferring parameters in paired mode</b>	Uploading settings from Master to Slave.  This appears only if function F49 is set to Paired. <i>OFF = Deactivated (default) / ON = Activated</i>
F54	<b>Opening direction</b>	For setting the gate opening direction. <i>OFF = Opening left (default) / ON = Opening right</i>
F56	<b>Peripheral number</b>	To set the peripheral's number from 1 to 255 for each control board when you have a system with several operators. <i>1 ----&gt; 255</i>
F63	<b>Changing COM speed</b>	For setting the communication speed used in the CRP (Came Remote Protocol) connection system. <i>0 = 1200 Baud / 1 = 2400 Baud / 2 = 4800 Baud / 3 = 9600 Baud / 4 = 14400 Baud / 5 = 19200 Baud / 6 = 38400 Baud (default) / 7 = 57600 Baud / 8 = 115200 Baud</i>
F65	<b>Wireless input RIOED8WS [T1]</b>	Wireless safety device (RIOED8WS) associated to a function of choice among those available: P0 = TOTAL STOP, P7 = reopening during closing, P8 = reclosing during opening. For programming, see the instructions that come with the accessory.  This function only appears if the RIOCN8WS card is plugged into the control board. <i>OFF = Deactivated (default) / P0 / P7 / P8</i>

F66	Wireless input RIOED8WS [T2]	Wireless safety device (RIOED8WS) associated to a function of choice among those available: P0 = TOTAL STOP, P7 = reopening during closing, P8 = reclosing during opening. For programming, see the instructions that come with the accessory. This function only appears if the RIOCN8WS card is plugged into the control board. <b>OFF = Deactivated (default) / P0 / P7 / P8</b>
F67	Wireless input RIOPH8WS [T1]	RIOPH8WS is associated to any function chosen among those available: P1 = reopening during closing; P2 = reclosing during opening; P3 = partial stop; P4 = obstruction wait. For programming, see the instructions that come with the accessory. This function only appears if the RIOCN8WS card is plugged into the control board. <b>OFF = Deactivated / P1 (default) / P2 marked areas / P3 / P4</b>
F68	Wireless input RIOPH8WS [T2]	RIOPH8WS is associated to any function chosen among those available: P1 = reopening during closing; P2 = reclosing during opening; P3 = partial stop; P4 = obstruction wait. For programming, see the instructions that come with the accessory. This function only appears if the RIOCN8WS card is plugged into the control board. <b>OFF = Deactivated / P1 (default) / P2 marked areas / P3 / P4</b>
F71	Partial opening time	After an opening command from the button connected to 2-3P, the gate opens for an adjustable time of between five seconds and 40 seconds. This function only appears if the Encoder function is deactivated. <b>5 = 5 seconds / ... / 40 = 40 seconds</b>
U1	Entering users	Entering up to 250 users and associating to each one a function of choice among those included. This must be done via transmitter or other control device (see "ENTERING USERS WITH ASSOCIATED COMMAND" paragraph). <b>1 = Step-step command (open-close) / 2 = Sequential command (open-stop-close-stop) / 3 = Open only command / 4 = P artial command</b>
U2	Deleting users	Deleting a single user <b>OFF = Deactivated / ON = Activated</b>
U3	Deleting users	Deleting all users. <b>0 = Deactivated (default) / 1 = Delete</b>
U4	Decoding the radio-frequency code	Select the type of transmitter radio coding that you wish to save on the control board. When you select a radio coding, all saved transmitter are automatically deleted. TWIN's coding lets you save multiple users with the same key (Key block). <b>1 = all series ( default) / 2 = only Rolling Code series / 3 = only TWIN series</b>
A1	Motor type	To set the gearmotor depending on the gate's weight. <b>1 = 400 kg / 2 = 600 kg / 3 = 800 kg / 4 = 1000 kg</b>
A3	Gate-swing calibration	Automatic calibration of the gate-leaf swing (see the CALIBRATING SWING paragraph). <b>OFF = Deactivated / ON = Activated</b>
A4	Resetting parameters	Caution! The default settings are restored and the travel calibration deleted. <b>OFF = Deactivated / ON = Activated</b>
A5	Maneuver count	For viewing the number of maneuvers made ( 001 = 100 maneuvers; <b>010</b> = 1,000 maneuvers; <b>100</b> = 10,000 maneuvers; <b>999</b> = 99,900 maneuvers; <b>CSI</b> = maintenance job).
A6	Adjusting the motor torque	For adjusting the motor torque from 1 (minimum) to 5 (maximum). <b>1 / 2 / 3 / 4 / 5</b>
H1	Version	View the firmware version.



## COMMISSIONING


Once the electrical connections are done, have only skilled, qualified staff commission the operator into service. Before continuing, make sure the area is free of any obstructions, and that there are mechanical, opening and closing gate stops in place.


Power up and begin configuring the system. **Important!** Start programming by first doing the following functions: F54 (opening direction) and F1 (Total Stop). Once the programming is done, verify that the operator and all the accessories are working properly. Use the < > keys to open and close the gate and ESC to stop it.

△ After powering up the system, the first maneuver is always the opening. In this phase, the gate cannot be closed. You will need to wait for the gate to completely open.

△ Immediately press the STOP button if any suspicious malfunctions, noises or vibrations occur in the system.

## MANAGING USERS

 When adding and deleting users, the flashing numbers appearing are those numbers that are available and usable to assign to a new user (max. 250 users).

 Before registering the users, make sure the AF radio card is plugged into the connector (see the paragraph called CONTROL DEVICES).

## ENTERING A USER WITH AN ASSOCIATED COMMAND


Select U 1. Press ENTER to confirm.

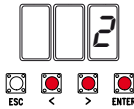
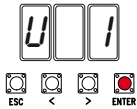
Select a command to associate to the user: The commands are:

- 1 = step-step (open-close);
- 2 = - sequential (open-stop-close-stop);
- 3 = only open;
- 4 = partial opening/pedestrian.

Press ENTER to confirm...

... a number between 1 and 250 will start flashing for a few seconds. Send the code from the transmitter or other control device, such as, a keypad selector or a transponder.

 Note down the user entered **into the LIST OF REGISTERED USERS.**



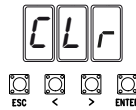
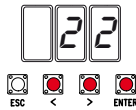
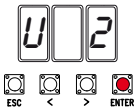
## DELETING A SINGLE USER

Select U 2. Press ENTER. Activate the function and press ENTER to confirm


Use the arrow keys select the number of the user you wish to delete.

Press ENTER to confirm...

... CLR will appear on the screen to confirm deletion.



## GATE-SWING CALIBRATION

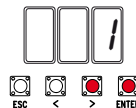
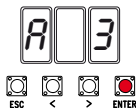
 Before calibrating the gate travel, position the gate half-way, check that the maneuvering area is clear of any obstruction and check that there are mechanical opening and closing stops.

 The mechanical gate-stops are obligatory.

Important! When calibrating, all safety devices will be disabled excluding the one for TOTAL STOP which is active on on the ESC button.

Select A 3. Press ENTER to confirm.

Select 1 and press ENTER to confirm the travel calibration operation.



The gate will perform a closing maneuver until it reaches a final stop...  
 ...then the gate will perform an opening maneuver until it reaches a final stop.

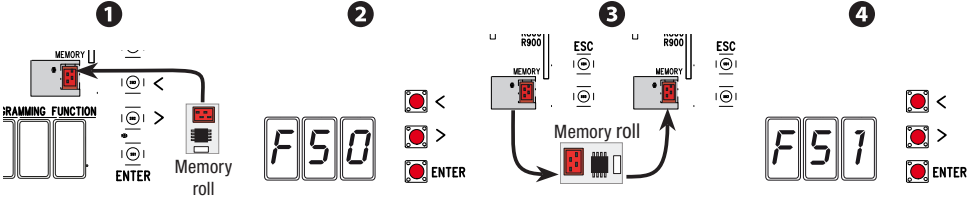


### **SAVING AND UPLOADING ALL DATA (USERS AND CONFIGURATION) WITH THE MEMORY ROLL**

Procedure for memorizing all of the system's user and configuration data by using the Memory Roll, so they can be used with another control board, even on another system.

Caution! Fitting and extracting the Memory Roll must be done with the mains power disconnected.

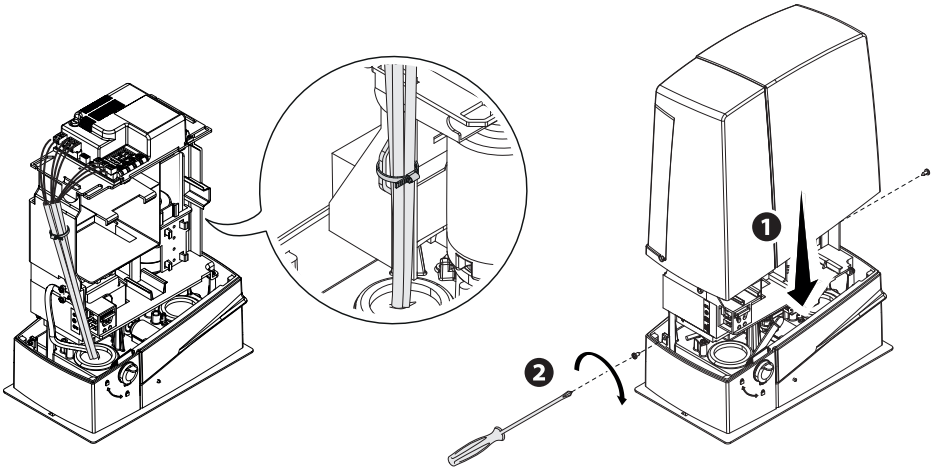
- 1 Fit the Memory Roll into its corresponding connector on the control board.
  - 2 Select **F50** and press ENTER to confirm the saving of data in the Memory Roll.
  - 3 Extract the Memory roll and fit it into the connector of another control board.
  - 4 Select **F51** and press ENTER to confirm the uploading of data into the Memory Roll.
- After memorizing the data, it is best to remove the Memory roll.



## FINAL OPERATIONS

Once the electrical connections are done and the set up is finished, fasten the cables to the gearmotor jumper using a cable tie.

Fit the cover and fasten it to the sides using the screws.



## ERROR MESSAGE

 The error messages appear on the display.

E 1	The travel calibration was interrupted when the STOP button was activated
E 2	Gate-leaf travel calibration incomplete
E 3	Encoder broken
E 4	Services test error
E 7	Insufficient operating time
E 9	Closing obstruction
E 10	Opening obstruction
E 11	Maximum number of detected obstructions
E 13	The NC contacts are open (for example, the limit-switches)
E 14	Serial communication error
E 17	Wireless system error
E 18	The wireless system configuration is missing

## PAIRED OPERATION

### Electrical wiring

Important! Start by performing the following procedures on both operators:

- plug the RSE card into the connector on the control panel of both operators;
- Connect the two control panels to a CAT 5-type (max. 1,000 m) cable onto terminals A-A / B-B / GND-GND, see the PAIRED OPERATION paragraph;
- connect all of the control and safety devices on the MASTER operator's control panel.

### Saving users

Execute the procedure, to add a user with an associated command, on the MASTER panel.

### Programming

Start by performing the following settings only on the MASTER control panel:

- select 1 (paired mode) from the F49 function and press ENTER to confirm;
- select the opening direction from the F54 function and press ENTER to confirm;
- select ON from the F52 function and press ENTER to confirm the transferring of the parameters to paired mode.

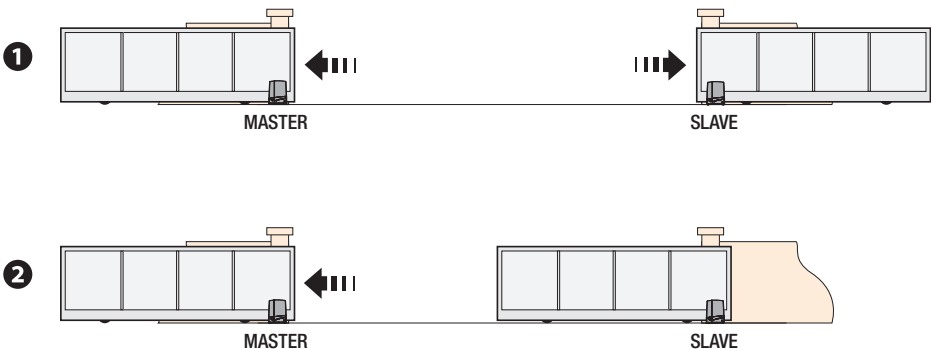
Proceed with the next settings and adjustments only on the MASTER control panel.

 The programming keys on the SLAVE control panel are disabled.

### Operating modes

- 1 Either STEP-STEP or ONLY OPEN command. Both leaves open.
- 2 PARTIAL/PEDESTRIAN OPENING command. Only the MASTER operator's leaf opens.

For the types of command that can be selected and paired to users, see the ENTERING USERS WITH ASSOCIATED COMMANDS.



## WHAT TO DO IF ...

ISSUES	POSSIBLE CAUSES	POSSIBLE FIXES
It neither opens nor closes	<ul style="list-style-type: none"> <li>• Power supply is missing</li> <li>• The gear motor is stuck</li> <li>• The transmitter emits a weak signal or no signal</li> <li>• Control buttons or selectors stuck</li> </ul>	<ul style="list-style-type: none"> <li>• Check main power supply</li> <li>• Lock the gearmotor</li> <li>• Replace the batteries</li> <li>• Check integrity of devices and/or of electrical cables</li> <li>• Call for assistance</li> </ul>
The gate opens but does not close	<ul style="list-style-type: none"> <li>• The photocells are working</li> </ul>	<ul style="list-style-type: none"> <li>• Check that there are no obstructions in the photocells' area of operation</li> </ul>

**⚠ If the problem cannot be solved by following the fixes in the table or if any malfunctions, anomalies, noises, vibrations or suspicious and unexpected behavior is experienced on the system, call for qualified assistance.**

## DISMANTLING AND DISPOSAL

☞ CAME S.p.A. applies a certified Environmental Management System at its premises, which is compliant with the UNI EN ISO 14001 standard to ensure the environment is safeguarded.

Please continue safeguarding the environment. At CAME we consider it one of the fundamentals of our operating and market strategies. Simply follow these brief disposal guidelines:

### ♻️ DISPOSING OF THE PACKAGING

The packaging materials (cardboard, plastic, and so on) should be disposed of as solid household waste, and simply separated from other waste for recycling.

Always make sure you comply with local laws before dismantling and disposing of the product.

**DISPOSE OF RESPONSIBLY!**

### ♻️ DISMANTLING AND DISPOSAL

Our products are made of various materials. Most of these (aluminum, plastic, iron, electrical cables) are classified as solid household waste. They can be recycled by separating them before dumping at authorized city plants.

Whereas other components (control boards, batteries, transmitters, and so on) may contain hazardous pollutants.

These must therefore be disposed of by authorized, certified professional services.

Before disposing, it is always advisable to check with the specific laws that apply in your area.

**DISPOSE OF RESPONSIBLY!**

## LIST OF REGISTERED USERS

1		32		63	
2		33		64	
3		34		65	
4		35		66	
5		36		67	
6		37		68	
7		38		69	
8		39		70	
9		40		71	
10		41		72	
11		42		73	
12		43		74	
13		44		75	
14		45		76	
15		46		77	
16		47		78	
17		48		79	
18		49		80	
19		50		81	
20		51		82	
21		52		83	
22		53		84	
23		54		85	
24		55		86	
25		56		87	
26		57		88	
27		58		89	
28		59		90	
29		60		91	
30		61		92	
31		62		93	

94	
95	
96	
97	
98	
99	
100	
101	
102	
103	
104	
105	
106	
107	
108	
109	
110	
111	
112	
113	
114	
115	
116	
117	
118	
119	
120	
121	
122	
123	
124	
125	

126	
127	
128	
129	
130	
131	
132	
133	
134	
135	
136	
137	
138	
139	
140	
141	
142	
143	
144	
145	
146	
147	
148	
149	
150	
151	
152	
153	
154	
155	
156	
157	

158	
159	
160	
161	
162	
163	
164	
165	
166	
167	
168	
169	
170	
171	
172	
173	
174	
175	
176	
177	
178	
179	
180	
181	
182	
183	
184	
185	
186	
187	
188	
189	



190	
191	
192	
193	
194	
195	
196	
197	
198	
199	
200	
201	
202	
203	
204	
205	
206	
207	
208	
209	
210	
211	
212	
213	
214	
215	
216	
217	
218	
219	
220	
221	

222	
223	
224	
225	
226	
227	
228	
229	
230	
231	
232	
233	
234	
235	
236	
237	
238	
239	
240	
241	
242	
243	
244	
245	
246	
247	
248	
249	
250	