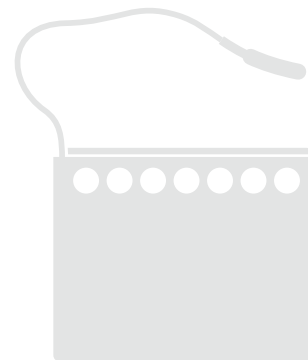


IBW

Wireless BlueBUS interface



CE 0682

EN - Instructions and warnings for installation and use

IT - Istruzioni ed avvertenze per l'installazione e l'uso

FR - Instructions et avertissements pour l'installation et l'utilisation

ES - Instrucciones y advertencias para la instalación y el uso

DE - Installierungs- und Gebrauchsanleitungen und Hinweise

PL - Instrukcje i ostrzeżenia do instalacji i użytkowania

NL - Aanwijzingen en aanbevelingen voor installatie en gebruik

Nice

Notes for consulting this manual

The present manual is a complete guide to building wireless radio connections between the IBW interface and all the Nice devices having Solemyo Air Net System radio technology (this is based on two-way radio transmission without using electrical wires). With the exception of IBW, the following devices mentioned in the manual are not included in the package: PHW photocells; LLW light signalers; TCW1 and TCW2 sensors (for sensitive edges).

1 Warnings and general safety precautions

Attention! • Important safety instructions: keep these instructions. • It is important to follow these instructions to ensure safety. Read this manual carefully before beginning work.

Considering the dangers that may arise during the installation and use of the devices mentioned in the manual, the installation must be performed in full compliance with the law, regulations and standards to ensure maximum safety.

According to the latest European legislation, the automation of a gate or door falls under “Machinery Directive” 2006/42/CE (pursuant to 98/37/CE) and, in particular, in the following standards that allow the declaration of its conformity to the Machinery Directive: EN 13241-1 (harmonized standard); EN12445; EN12453; EN12635.

Further information regarding risk analysis and the realization of the Technical Brochure are available at www.niceforyou.com.

- This manual is destined solely for technical personnel qualified to perform installation. No other information contained in this file may be considered of interest to the end user!
- The manufacture of safety systems for automatic doors and gates is subject to the following standards:
 - EN 12453 Industrial, commercial and a garage doors and gates. Safety in use of automated doors. - *Requirements*.

– EN 12978 Industrial, commercial and garage doors and gates. Safety devices for motorized doors and gates - *Test requirements and methods* .

Therefore, installing and connecting the devices mentioned in the manual for the purpose of building a “safety system” that does not satisfy the requirements of the cited standards corresponds to negligence and deliberate abuse!

- Use of the devices in a way other than the ways cited in the manual is prohibited! Improper uses may result in danger, injury or damage to property and /or persons.
- Do not make any changes to any parts of the devices referred to in the manual if they are not indicated in the manual; unauthorized changes can only cause malfunctioning. Nice declines all responsibility for damage resulting from products which have been arbitrarily modified.
- **Particular warnings regarding the suitability of using the devices referred to in the manual as per the Directive “Electromagnetic Compatibility” 2004/108/CE (pursuant to 89/336/CEE).** These devices have been subjected to tests for electromagnetic compatibility in the most critical of use conditions in the configurations given in this instructions manual and in combination with the items shown in the Nice product catalogue. Therefore if these devices are used in different configurations or with products for which they were not designed, the electromagnetic compatibility may no longer be guaranteed. Therefore it is prohibited to use the devices in these situations until the installation technician has checked their compliance with the requirements of the said directive.
- The devices referred to in the manual fall under Category 2 for safety functions during failures (according to standard EN 13849-1). However to maintain this Category the control unit to which the IBW interface is connected must also fall under Category 2 for safety during the failures (according to standard EN 13849-1).
- Make sure the conditions in which the various devices are to be used are compatible with the data shown in the section “Technical Characteristics” of the respective instruction manuals.
- To make electrical connections, use adequate wires like the ones shown in the section “Installation and connections”.

2 Product description and intended use

IBW is an interface with **Solemyo Air Net System** radio technology by Nice and it is compatible exclusively with devices that adopt this technology (fig. 1). It uses Nice's "BlueBUS" communication protocol and connects via wire to a Nice control unit having the same protocol and used to control and monitor the automation of a gate, garage door or similar barriers.

In the networks with the BlueBUS protocol, the IBW interface allows you to extend a network that is already wired or create a new network made up of accessories having **Solemyo Air Net System** radio technology that is powered by battery or photovoltaic cells using bidirectional radio communication to connect them to the automation control unit without using electrical wires. These accessories (not included in the package, are PHW photocells, flashing signals/LLW courtesy lights, and TCW1 / TCW2 sensors to be connected to the resistive or photo-optic sensitive edges. The IBW interface and these devices together make up a BlueBUS wireless communication network. For more details on the outfit and operation of a hardwired BlueBUS network, see the manual for the automation control unit.

The IBW interface is connected to the control unit via wire to the BlueBUS terminal and controls the operation of the entire network of accessories. If one or more LLW devices are used as flashing signals, the interface must also be connected "Flash" terminal. In short, the IBW is a device that "translates" messages that travel by wire into messages transmitted via radio and vice versa and allows the BlueBUS system to recognize the devices connected in wireless mode as though they were connected by wire. It is also possible to create a mixed BlueBUS network, i.e. made up of traditional devices that are hardwired to the bus wire (and connected to the control unit via this cable), and "wireless" devices connected via radio to the BlueBUS interface (and connected to the control unit by means of this interface).

All uses other than the intended use described and/or in environmental conditions other than those described in this manual shall be considered improper and prohibited!

3 Preliminary checks before installation and limitations on use

Before installing the system, you must evaluate certain aspects regarding its operating principle in order to obtain maximum safety and functionality.

- Along the IBW interface is not a **complete** wireless connection system but only part of one. Therefore, in order to be able to use it you must combine it to at least one of the wireless accessories mentioned in section 2.
- Make sure the conditions in which the devices are to be used are compatible with the specifications given in their respective instruction manuals (section "Technical characteristics"). In the event of doubt, do not use the devices; ask for clarifications from Nice's Technical Service Department.
- Make sure the area surrounding the automation system has no ongoing radio interferences. Such interferences could disturb and alter system operation.

3.1 - Limitations on use

- The IBW interface shall be installed exclusively in areas protected from the effects of water, humidity and/or dust.
- The IBW interface can be connected exclusively to a control unit that is compatible with Nice's BlueBUS communication protocol.
- The IBW interface and devices connected to it do not ensure optimal operation with control units that work with radio communications on the of 868 MHz band.
- The LLW, PHW and TCW2 devices integrate a cell for photovoltaic power that requires it to be installed outdoors where the cell can receive direct light from the sun for most of the day. **Attention!** – It is preferable to install each device in a favorable position for receiving sunlight, i.e. far from objects or situations that might considerably shade the solar cell all day long.
- The maximum number of accessories that can be connected to a control unit depends on the technical characteristics of the BlueBUS in the central control unit. In any case it is not possible to have more than 20 units.
- Additional limitations on use are contained in the section "Technical characteristics".

4.1 - Fastening and connecting all the devices

To fasten and connect all the devices of the system, perform all the operations explained below; please comply scrupulously with the sequence given.

01. In the automation system, establish the position where each of the wireless devices will be installed (refer to fig. 2, the instruction manual of the control unit and the instruction manual of each device). **Warning – Two or more pairs of wireless photocells do not generate any optical interference between each other even when their positions are close to each other. If hardwired (traditional) photocells are also present in the same automation system, it is recommended to install the TX wireless elements and the RX hardwired elements on the same side and the remaining RX and TX elements on the opposite side. This prevents optical interferences between the hardwired photocells and the wireless ones.**
02. Disassemble the devices to freely access the “T” key, the “J” jumpers and the batteries (see figs. 3, 4, 5).
03. Consult the tables shown in the instruction manual of the automation system to choose the function you want to attribute to each device (for the LLW device, see the respective instruction manual). Now insert the jumpers in each device according to the configuration shown in the tables.
04. Connect each TCW1/2 device required to the wires of the sensitive edge in question, as shown in fig. 6.
05. Access the automation control unit (see the instructions manual) and connect the IBW interface to the control unit (see section 4.2.1 or 4.2.2).
06. Put all wireless devices close to the IBW interface to program each one (refer to chapter 5 and find the section for the purpose you require).
07. After programming, run a **device search** in the control unit according to the procedure given in the instructions manual of the control unit. The same operation can also be run with the Oview programmer by sending the BlueBUS Search command.
08. Temporarily position each wireless device in the spot defined for its installation; position the antenna of the IBW interface in a point that will provide good reception/transmission. Lastly, check the proper func-

tioning of all the system devices by running the **Inspection** of the entire system as described in chapter 6.

09. After the inspection, fix each single wireless device to the preestablished points (refer to figs. 7, 8, 9). Fix the IBW interface in proximity to the control unit or inside it and protect it adequately (fig. 10). Finally, use the double stick tape included in the supply to fasten the antenna in the position established during the inspection.

4.2 - Connecting the IBW interface

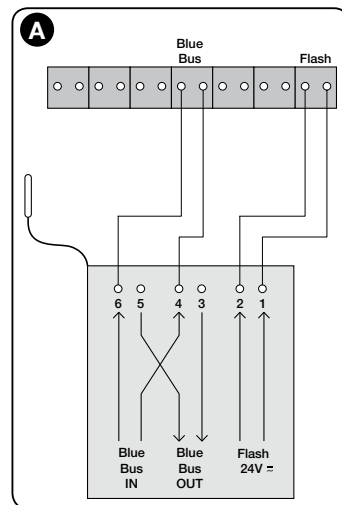
4.2.1 - Connecting the IBW interface to a Nice generic control unit using the LLW flashing signaler

In **fig. A** you can see an example of how to connect the IBW interface to the Nice generic control unit using the BlueBUS communication protocol. If you do not intend to use the LLW flashing signaler or if you want to use it exclusively as a courtesy light, you can opt to not connect it to the “Flash” terminal of the control unit.

4.2.2 - Connecting the IBW interface to a Nice generic control unit and setting up a mixed network

As explained in chapter 2, you can create a mixed BlueBUS network where “wireless” and “hardwired” devices can coexist. For this type of network, bear in mind that:

- the installation of mixed devices does not increase the maximum number of devices that can be installed in the control unit (see the instructions manual of the control unit);
- the jumper configurations in the photocells must be **different** among the various pairs of photocells in the system, but without distinguishing between the wireless and hardwired photocells.



5 Programming

To enable communication between the IBW interface and the wireless devices via radio, run the phase in which the interface “acquires” the devices by following one of the procedures given in chapter 5.

Warnings for programming:

- To identify on the product the LEDs and keys mentioned in the manual, see **fig. 12**.
- In the procedures that require the insertion (or removal) of batteries in the various devices, see **figs. 13, 14, 15**, to run the operation.
- All the programming phases end automatically 2 minutes after the last key pressed. Any changes made up to that moment are memorized anyway.
- **At the end of the programming procedures, it might be necessary to run the device search in the control unit. For this operation, follow the procedure given in the instructions manual of the control unit. The same operation can also be run with the Oview programmer by sending the BlueBUS Search command.**

5.1 - Create a new system

This procedure allows you to create a new system starting with wireless devices having the memory totally empty (factory setting), at the time of installation.

01. Keep the IBW interface key pressed and release it after the LED turns on with a solid green light: now the interface is ready to acquire the wireless devices.

The procedure then allows you to install a wireless device. Repeat the procedure from point 02 for each wireless device you want to install.

02. Insert the batteries in the wireless device (or, if they are already present, press and release the “T” key of the device): the IBW interface will emit a beep to confirm acquisition; on the device the “A” LED will start to flash green and the “B” LEDs will also start flashing until the end of the procedure.
03. To combine additional devices with the interface, repeat, for each one, the instructions starting from 02.
04. Lastly, press and release the key of the IBW interface key to end the procedure.

5.2 - Adding more devices to an existing system

This procedure allows you to add more wireless devices to an existing wireless network without needing to again acquire the already installed devices.

01. **Warning** – The new wireless devices to be acquired must not have any data in their memory. If a device has already been used on another system, you

must reset the factory values by following the procedure described in section 5.5.

02. Keep the IBW interface key pressed and release it after the green LED comes on. Now the LED will start to flash rapidly and the interface will attempt to communicate with each of the preexisting devices in the system (in the wireless devices the “A” LED will start to flash green and the “B” LEDs will also start flashing). At the end, the interface LED turns on solid green putting the interface in the phase of “radio listening” to acquire new devices.
Attention! – If a given device does not communicate, the interface will emit a beep for 10 seconds. If in the meantime no other key is pressed, after 10 seconds the interface interrupts the acquisition phase and maintains the system in the previous state.
03. Insert the batteries in the device to be added (or, if they are already present, press and release the “T” key of the device): the IBW interface will emit a beep to confirm acquisition and on the device the “A” LED will start to flash green and the “B” LEDs will also start flashing until the end of the procedure.
04. To combine additional devices with the interface, repeat for each one the instructions starting from 03.
05. Lastly, press and release the IBW interface key to end the procedure.

5.3 - Removing one or more devices from an existing system

This procedure allows you to remove one or more wireless devices from an existing wireless network without needing to reacquire and/or re-install the entire system from the beginning.

01. Remove the batteries from the device you intend to remove, or reset the factory values according to the procedure described in paragraph 5.5 so the device can no longer communicate.
02. Keep the IBW interface key pressed and release it after the green LED comes on. After release, the interface LED starts flashing rapidly and the interface will try to communicate with each of the preexisting devices of the system (all the LEDs of the devices will start to flash). At the end of this phase, the interface will emit a beep for 10 seconds to indicate the lack of response of the device(s) to be removed. Within the beep duration, press and release the interface key to confirm removal of the device(s): in the interface the LED turns on solid green.

If you want to acquire additional devices: program them as indicated in the procedure 5.2, from point 03; if not, go on to the next point.

03. Terminate the procedure by pressing and releasing the IBW interface key: this key emits two beeps (beep-beep) to confirm that the device(s) has/have been removed successfully.

5.4 - Replacing the interface in an existing system

This procedure allows you to replace the IBW interface in an existing system. Rather than deleting the combination in all the wireless devices present and then proceed to acquire them one by one, this procedure allows the new interface perform a simple operation to acquire all the devices present by using one of them. **Warning** – if the new interface comes from another system, before starting the procedure, reset the factory values according to the procedure in section 5.5.

01. Select any wireless device from among those existing in the system and remove it from the base so you can access its “T” key. Then bring it closer to the new interface that you want to install.
02. **On the new interface:** keep the key pressed for about 10 seconds and release it after the red LED comes on.
03. **On the new interface:** press the key twice; after 5 seconds the red LED starts to flash, indicating that it is in the “waiting” phase.
04. **On the wireless device (the one you selected under point 01):** keep the “T” key pressed until the “A” LED turns on solid red. Then press the “T” key another two times. After 5 seconds, the red LED and the green LED start to flash, indicating that the data of the old installation starts to be transmitted to the new IBW interface.
On the new interface: when searching data, the green LED also starts flashing (the red LED is already flashing) and the devices emit a beep.
05. After the time interval required to search for all the wireless devices present, in the new interface, the LED becomes solid green and in the devices the “A” (green light) and “B” LEDs start to flash . Then the new interface will emit a beep for each device acquired: for example, if in the old installation there were seven wireless devices, the interface will emit seven beeps.
06. Finally, terminate the procedure by pressing and releasing the interface key.

5.5 - Deleting the memory from the interface and the devices

The following procedure allows you to delete the memory of the devices and reset the factory values. It is useful to perform these procedures when you want to reuse one or more of the devices installed previously on a system, to create a new system.

5.5.1 - Deleting an IBW interface

01. Keep the IBW interface key pressed (for about 10 seconds) and release it after the red LED comes on.
02. Press and release the interface key again: after 5 seconds the red LED starts to flash, indicating that the deletion phase has been activated. After the flashes, the interface can be used on a new system.

5.5.2 - Deleting a wireless device

01. Keep the “T” key of the device pressed until the “A” LED comes on solid red.

02. Press and release the device key again: after 5 seconds the red “A” LED starts to flash, indicating that the deletion phase has been activated. After the flashes, the device can be used on a new system.

Warnings for the inspection procedure:

- **After any programming phase, you must run an inspection of the entire wireless connection system to check operation of the devices present.**
- *Since certain phases of the inspection require checks to be run with the gate wing moving, during inspection the automation system may not be adequately safe. Therefore it is recommended to pay maximum attention when running the checks.*
- *Repeat the entire inspection sequence for each single device present in the wireless connection network.*

01. Make sure all the instructions given in the present manual are followed, in particular the warnings in chapters 1 and 3.

02. Inspect a TCW1/2 sensor connected to a resistive edge:

- a)** - disconnect the edge from the sensor terminals and use an ohmmeter to measure the resistance value of the edge. Make sure the value is between 7700 ohm and 8700 ohm (nominal 8200 ohm);
- b)** - press the sensitive edge to activate it and measure its resistance value again: make sure the value is less than 1000 ohm or greater than 16500 ohm;
- c)** - lastly, connect the edge to the terminals of the TCW1/2 sensor again.

03. Activate the “check operation” of the system:

- a)** - make sure all the devices of the system are powered;
- b)** - on the IBW interface, press and release the key: this operation activates the “check operation” mode of the system;
- c)** - move gate wing to the various points along its path and at each point observe the “B” LEDs of each device to see if the radio reception is sufficient or not ○ = LED on; ● = LED off:
 - ○ ○ = excellent radio reception
 - ○ ● = good radio reception
 - ● ● = sufficient radio reception
 - ● ● = insufficient radio reception

If in one or more wireless device only one LED is ON for most of the maneuvering time, it is recommended to improve the communication by intervening on each of the devices as follows: put the wireless device as close as possible to the antenna of the IBW interface or move the antenna higher from the ground and/or far from any metal parts that might be present. Then, follow the steps in point 06 below until you achieve good performance.

04. Check the safety of the sensitive edge according to the PSPE pressure: press and release the sensitive edge; then make sure the “A” LED of the TCW1/2 sensor passes from the “flashing” state to the “solid on” state. The color of the LED light depends on the charge level of the batteries as explained in section 7.2.2.

05. Check alignment of PHW photocells: refer to the control unit manual to run this check. The flashing signal emitted by the “A” LED of the photocells is the following:

- **in the RX photocell:** one second of flashing with 10% duty-cycle. The color of the LED light depends on the charge level of the batteries as explained in section 7.2.2.
- **in the RX photocell:** 100ms duration of flashing and frequency proportionate to alignment: from one second of flashing (= excellent signal) to LED solid on (= no signal). The color of the LED light depends on the charge level of the batteries as explained in section 7.2.2.

In this phase is possible to also check the proper functioning of the photocells by interrupting the alignment beam with an obstacle and making sure the LED is solid on.

06. Check functioning of LLW light signaler: if the device is set as a courtesy light, the light stays on; on the contrary, if the device is set as a flashing signaler, the light emits one brief flash once a second.

07. Deactivate the “check operation” mode of the system: on the IBW interface, press and release the key.

08. Mechanically hook the gate wing to the motor and activate a maneuver. Make sure the green LED of the IBW interface starts to flash regularly and the gate wing opens and closes properly without reversing its direction.

09. Activate a few maneuvers and check the following conditions:

- place an obstacle between each pair of photocells and make sure the automation behaves as desired/required;
- press each sensitive edge and make sure the automation behaves as desired/required;
- if the LLW signaler is installed and selected as a flashing light, make sure it flashes for a duration of 0.3 second once per second).

10. If potentially dangerous situations caused by the moving gate wing have been remedied by limiting the force of impact (types C according to standard EN 12445, on the part relative to the device sensitive to PSPE pressure), the IBW interface and the TCW1/2 sensors should be checked by measuring such force with the specific instrument along the path of the gate at the specific points indicated in chapter 5 of standard EN 12445.

7 System diagnostics

7.1 - IBW interface signals

If the IBW interface has no wireless device acquired, it will flash red once per second; otherwise it will flash as described under sections 7.1.1 and 7.1.2.

7.1.1 - Signals with control unit on stand-by

Flashes	Meaning
1 red flash:	The interface is not combined with any device
1 green flash, 1 green flash:	The interface is connected with at least one device; the combined devices respond correctly; the combined devices have a fully charged battery
1 red flash, 1 green flash:	At least one of the combined devices has an uncharged battery; the combined devices respond correctly
1 green flash, 1 red flash:	the combined devices have a fully charged battery; in the previous maneuvers, at least one of the devices had communication problems
1 red flash, 1 red flash:	At least one of the combined devices has an uncharged battery; in the previous maneuvers, at least one of the devices had communication problems

In all cases the flashing is updated at the end of each maneuver or when the control unit turns on again after a stand-by period. Each time the flashing is updated, if an alarm situation is detected (e.g. uncharged battery or weak signal of one of the devices), the buzzer emits the following type of sound: “beep-beeeeeep”.

7.1.2 - Signaling during a maneuver/inspection

The green LED flashes continuously and intermittently; when a safety device (TCW1/2 o PHW) signals a dangerous situation, the red LED comes on.

7.2 - Signals of the PHW, TCW1, TCW2 and LLW devices

7.2.1 - Signaling with control unit on stand-by

When the control unit is stopped (not maneuvering), and you remove the battery from the device in question and put it back, the device will execute the following signals:

Flashes	Meaning
1 red flash:	The transmitter is not combined with any receiver
1 red flash, 1 red flash:	The device is not combined with any interface and the attempt to combine it was unsuccessful
1 green flash, 1 red flash:	The device is not combined with any interface but The combined interface does not respond
1 green flash, 1 green flash:	The device is combined with an interface and the combined interface does not respond properly

7.2.2 - Signaling during a maneuver

• Meaning of color of “A” LED:

green color = charged battery; **red color** = uncharged battery.

• Meaning of flash frequency of “A” LED:

– **PHW photocells (RX element):** in the RX element of the device, the flashing frequency of the “A” LED depends on the quality of the alignment. In particular, the weaker the optical signal received from the RX cell, the more frequent the flashing becomes until it becomes a solid light (= *complete interruption of beam*). When the received signal is excellent, the light flashes once per second with 10% duty cycle.

– **PHW photocells (TX element) and LLW luminous signaler:** on these devices the “A” LED emits one flash per second with a 10% duty cycle.

– **TCW1/2 Sensor:** if the sensitive edge is not pressed, the “A” LED flashes once per second with 10% duty cycle; on the contrary, if the sensitive edge is pressed, the LED stays on solid.

• Meaning of color of “B” LED:

In the devices with a photovoltaic cell (TCW2, PHW, LLW) the “B” LED (the central one) comes on once every four seconds when the device is charging the battery or when there is sufficient solar radiation.

7.3 - Procedure for device “operation check”

This procedure allows you to run diagnostics on all the devices present in a wireless network. It can be run at any time and allows you to ascertain the state of the sensitive edge, the photocells, the flasher and the quality of the radio signal. The procedure is activated as follows:

- 01.** Press and release the interface key to enter the “operation check” mode.
- 02.** Perform the checks described under the following points.
- 03.** Lastly, press and release the IBW interface key to exit the “operation check”, or wait two minutes.

- **To verify the state of efficiency of the sensitive edges**

Press the sensitive edge and observe the LEDs on the IBW interface and on the TCW1/2 sensor and refer to the table below:

IBW interface LED	Meaning
flashing green:	network active
red LED on:	intervention of a safety device; e.g. edge pressed or optical beam interrupted a device does not respond

- **“A” LED of the TCW1/2 sensor**

Refer to section 7.2.2.

- **“B” LED of the TCW1/2 sensor**

In this case the “B” LEDs serve to indicate the quality of the radio signal according to the table below:

B LED	Meaning
off	No signal or very weak signal
o	Low signal
oo	Medium signal
ooo	High signal

More information

This chapter explains all the possibilities for product customization, diagnostics and troubleshooting.

A - What to do if... (Troubleshooting guide)

- **The automation stops or always reverses the maneuver before finishing it.**

Check proper radio reception of the TCW1/2 sensor by performing the “operation check” procedure described in section 7.3.

If the BlueBUS network is the “mixed” type, make sure there is no optical interference between the PHW wireless photocells and the hardwired ones; in this case, solve the problem by inverting the TX and RX elements of the wireless photocells.

- **The automation does not stop and does not reverse the maneuver when a safety device intervenes.**

– Make sure the control unit has acquired all the devices present in the IBW interface: If the control unit has not acquired them, the IBW interface signals the state with a periodic sound (beep) emitted during the maneuver or during the “operation check” procedure. In these cases run the device search using the procedure in the control unit instructions manual. The same operation can also be run with the Oview programmer by sending the BlueBUS Search command.

– If the problem persists, make sure the various devices of the same type (e.g. all the pairs of photocells) do not have the same jumper configuration.

- **The flashing signaler functions only during the “operation check” procedure.**

Check proper connection of the device to the “Flash” terminal of the control unit and make sure this output is configured with the “flashing” function. Moreover, make sure the jumpers are positioned properly in the device.

B - Maintenance

Maintenance of system devices does not require any special measures. It is required to run a test every six months; to check the condition of the devices (presence of moisture, oxidation, etc.), externally clean them and inspect the system according to the procedure described in the chapter titled “Inspection”.

In the devices having a photovoltaic cell, perform more frequent checks of the cleanliness of the surface occupied by the solar cell to guarantee maximum efficiency of the recharging process. The system devices are designed to work for at least 10 years under normal conditions. After 10 years, it is advisable to intensify the frequency of the maintenance interventions.

B.1 - Replacing the batteries

The rechargeable battery of the PHW, LLW and TCW2 devices can lose its capacity after 4-5 years of working. In this case it gives frequent uncharged battery signals (the flashing red "A" LED indicates the battery needs to be replaced).

The non-rechargeable batteries of the TCW1 sensor must be replaced at the first signs of uncharged battery (red "A" LED).

To replace the batteries in the various devices, see **figs. 13, 14, 15**, and follow these warnings:

- before starting the work, make sure the automation is stopped;
- insert the new batteries making sure the polarity is correct;
- with the new batteries inserted, check operation of the system as described in steps 05 and 06 of chapter 6 - "Inspection".

C - Disposal

This product is an integral part of the automation system and therefore it must be disposed along with it.

As with the installation operations, at the end of the product's lifespan, disposal operations must be performed by qualified personnel.

This product is made up of various types of material, some of which can be recycled and others of which must be disposed of; acquire the necessary information about the recycling or disposal systems required by current laws in your area for this category of product. **Attention!** – Some parts of the product may contain polluting or hazardous substances which, if thrown away, may have damaging effects on the environment or on human health.

As indicated by the symbol appearing here, the product must not be thrown in with the household waste. Separate the waste into categories for disposal according to the methods established by current legislation in your area, or return the product to the retailer when purchasing a new version. Current legislation in your area may impose heavy fines for improper disposal of this product.



Attention! – The product operates with batteries which may contain pollutants and therefore must not be disposed of with ordinary waste material. After removing the batteries, you must dispose of them according to the methods required by local regulations.

D - Technical characteristics

- In order to improve its products, Nice S.p.a. reserves the right to change the technical characteristics at any time and without notice; in any event it guarantees the original functions and purpose of use.
- All technical specifications apply at a temperature of 20° C.

BlueBUS IBW interface

- **Product Type:** device installed on the fixed part of the automation system and connected by wire to the control unit. It is used for wireless reception of the state of the sensors contained in the photocells, sensitive edges etc. and for transmitting commands such as turning on the signal light in the flasher.
- **Technology adopted:** reception/transmission of data via radio at 868 MHz.
- **Power supply:** by means of connection to the BlueBUS terminal of the automation control unit.
- **Power absorption:** 0.65 W
- **Usable radio range:** 20 m (*)
- **Maximum radio range (under optimal conditions):** 40 m
- **Resistance category under failure:** Category 2, according to standard EN 13849-1, only if the control unit in which it is installed can guarantee Category 2 to the entire automation system.
- **Use in particularly acid, saline or potentially explosive atmospheres:** no
- **Assembly:** inside the automatism or only inside adequate protective containers.
- **Level of container protection:** IP30
- **Operating temperature:** -20° C to +70° C
- **Dimensions (mm):** 18 x 33 x 40
- **Weight (g):** 25
- **Maximum number of maneuver cycles per day:** 15, with maneuvers that last a maximum of one minute.

Note: (*) - *The range of the reception and transmission devices may be affected by other devices operating at the same frequency in the vicinity (such as radio headsets, alarm systems, etc.) and causing interference in the system. The manufacturer cannot provide any guarantee of the actual range of its radio devices in cases of strong interferences.*

The technical characteristics of the PHW, LLW, TCW1, TCW2 devices are contained in their respective instruction manuals.

CE declaration of conformity

Declaration in accordance with Directive 1999/5/CE

Note: *The content of this declaration corresponds to the declaration made in the official document filed in the main office of Nice S.p.a., and particularly the latest version thereof available prior to the printing of this manual. The text contained here has been adapted to meet editorial requirements. A copy of the original declaration may be requested from Nice S.p.a. (TV) I.*

Number: **412/IBW**; Revision: **0**; Language: **EN**

The undersigned Luigi Paro, as Managing Director of the company, hereby declares under his own responsibility that the product: • **name of manufacturer:** NICE S.p.A. • **address:** via Pezza Alta n°13, 31046 Rustignè di Oderzo (TV) Italy • **product type:** interface between a BlueBus system and the devices with a Solemyo Air Net System bidirectional radio technology • **model / type:** IBW • **accessories:** no, it conforms to the essential requirements specified in article 3 of the following Community Directive for the products' intended use:

• Directive 1999/5/CE OF THE EUROPEAN PARLIAMENT AND COUNCIL dated March 9th 1999 regarding radios and communications terminals and reciprocal recognition of their conformity in accordance with the following harmonized standards: • Protection of health (art. 3(1)(a)): EN 50371:2002 • Electrical safety (art. 3(1)(a)): EN 60950-1:2006+A11:2009 • Electromagnetic compatibility (art. 3(1)(b)): EN 301 489-1 V1.8.1:2008, EN 301 489-3 V1.4.1:2002 • Radio spectrum (art. 3(2)): EN 300 220-2 V2.3.1:2010

In accordance with directive 1999/5/CE (annex V), the product is classified as class 1 and marked: **CE 0682**

Furthermore, the product conforms to the provisions of the following EU directives:

• DIRECTIVE 2004/108/EC OF THE EUROPEAN PARLIAMENT AND COUNCIL of December 15 2004 concerning alignment of Member States' legislation regarding electromagnetic compatibility and abrogating directive 89/336/EEC, according to the following harmonized standards: EN 61000-6-2:2005, EN 61000-6-3:2007

In addition it totally or partially meets for the applicable parts, the requirements of the following standards: EN 13849-1:2008; EN 13849-2:2008; EN 13241-1:2004; EN 12453:2002; EN 12445:2002; EN12978:2003 + A1:2009

Oderzo, 5 July 2011

Mr. **Luigi Paro**
(Managing Director)



Note per la consultazione

Il presente manuale è una guida completa alla realizzazione dei collegamenti radio, in modo “wireless”, tra l'interfaccia IBW e tutti i dispositivi Nice dotati della tecnologia radio Solemyo Air Net System (questa si basa sulla trasmissione radio bidirezionale, senza l'ausilio di cavi elettrici). Ad eccezione di IBW, i seguenti dispositivi citati nel manuale non sono presenti nella confezione: fotocellule PHW; segnalatori luminosi LLW; sensori TCW1 e TCW2 (per bordi sensibili).

1 Avvertenze e precauzioni generali per la sicurezza

Attenzione! • Istruzioni importanti per la sicurezza: conservare queste istruzioni. • Per la sicurezza delle persone è importante rispettare queste istruzioni; pertanto, prima di iniziare il lavoro, leggere attentamente questo manuale.

Considerando i pericoli che si possono verificare durante l'installazione e l'uso dei dispositivi citati nel manuale, è necessario che l'installazione avvenga nel pieno rispetto di leggi, norme e regolamenti, affinché sia garantita la massima sicurezza.

Secondo la più recente legislazione europea, l'automazione di una porta o di un cancello ricade nella “Direttiva Macchine” 2006/42/CE (ex 98/37/CE) e, in particolare, nelle seguenti norme che consentono di dichiarare la conformità alla direttiva macchine: EN 13241-1 (norma armonizzata); EN12445; EN12453; EN12635.

Ulteriori informazioni riguardo l'analisi dei rischi e la realizzazione del Fascicolo Tecnico, sono disponibili nel sito www.niceforyou.com.

- Il presente manuale è destinato esclusivamente al personale tecnico e qualificato per l'installazione; nessun'altra informazione contenuta nel manuale può essere considerata d'interesse per l'utilizzatore finale!
- La realizzazione dei sistemi di sicurezza per porte e cancelli automatici è sottoposta alle seguenti normative:
 - EN 12453 Porte e cancelli industriali, commerciali e da autorimessa. Sicurezza in

uso di porte motorizzate - *Requisiti*.

– EN 12978 Porte e cancelli industriali, commerciali e da garage. Dispositivi di sicurezza per porte e cancelli motorizzati - *Requisiti e metodi di prova*.

Pertanto, installare e collegare i dispositivi citati nel manuale allo scopo di realizzare un “sistema di sicurezza” che non soddisfa i requisiti delle norme richiamate, corrisponde a negligenza e deliberato abuso!

- L'uso dei dispositivi citati nel manuale, diverso da quanto previsto nello stesso manuale, è vietato! Usi impropri possono essere causa di pericoli o danni, a cose e persone.
- Non eseguire modifiche su nessuna parte dei dispositivi citati nel manuale se queste non sono previste nello stesso manuale; modifiche non autorizzate possono causare solo malfunzionamenti. Nice declina ogni responsabilità per danni causati da prodotti modificati arbitrariamente.
- **Avvertenze particolari sull'idoneità all'uso dei dispositivi citati nel manuale, in relazione alla Direttiva “Compatibilità Elettromagnetica” 2004/108/CE (ex 89/336/CEE).** Questi dispositivi sono stati sottoposti alle prove relative alla compatibilità elettromagnetica nelle situazioni d'uso più critiche, nelle configurazioni previste nel manuale e in abbinamento con gli articoli presenti nel catalogo prodotti di Nice. Quindi, se tali dispositivi vengono impiegati in configurazioni diverse o con prodotti non previsti, potrebbe non essere garantita la compatibilità elettromagnetica. Pertanto è vietato l'uso dei dispositivi in queste situazioni fino a quando chi esegue l'installazione non abbia verificato la rispondenza ai requisiti previsti dalla direttiva citata.
- I dispositivi citati nel manuale rientrano nella Categoria 2 per la sicurezza ai guasti (secondo la norma EN 13849-1). Però, per mantenere questa Categoria è necessario che anche la centrale alla quale verrà collegata l'interfaccia IBW rientri nella stessa Categoria 2 per la sicurezza ai guasti (secondo la norma EN 13849-1).
- Accertarsi che le condizioni in cui verranno usati i vari dispositivi siano compatibili con i dati riportati nel capitolo “Caratteristiche tecniche” dei rispettivi manuali d'istruzione.

2 Descrizione del prodotto e destinazione d'uso

IBW è un'interfaccia con tecnologia radio **Solemyo Air Net System** di Nice ed è compatibile esclusivamente con i dispositivi che adottano questa tecnologia (fig. 1). Sfrutta il protocollo di comunicazione "BlueBUS" di Nice e si collega via cavo a una centrale Nice dotata dello stesso protocollo, utilizzata per controllare e comandare l'automazione di un cancello, di un portone da garage o similari.

Nelle reti con protocollo "BlueBUS", l'interfaccia IBW permette di estendere la rete già cablata, oppure permette di creare una nuova rete composta da accessori dotati di tecnologia radio **Solemyo Air Net System**, alimentati a batteria o con cella fotovoltaica, sfruttando la comunicazione radio bidirezionale per collegarli alla centrale dell'automazione senza l'ausilio di cavi elettrici. Questi accessori (non presenti nella confezione) sono le fotocellule PHW, i segnalatori lampeggianti / luce di cortesia LLW e i sensori TCW1 / TCW2 da collegare ai bordi sensibili di tipo resistivo o foto-ottico. L'interfaccia IBW e questi dispositivi formano insieme una rete di comunicazione wireless di tipo "BlueBUS". Per maggiori dettagli sull'allestimento e il funzionamento di una rete "BlueBUS" cablata, fare riferimento al manuale della centrale dell'automazione.

L'interfaccia IBW viene collegata alla centrale, via cavo, nel morsetto "BlueBUS" e controlla il funzionamento di tutta la rete di accessori. Se si utilizza come lampeggiante uno o più dispositivi LLW, l'interfaccia deve essere collegata anche al morsetto "Flash". In sintesi, l'interfaccia IBW è un dispositivo che "traduce" i messaggi che viaggiano su cavo in messaggi che vengono trasmessi via radio, e viceversa, facendo riconoscere al sistema "BlueBUS" i dispositivi collegati in modo wireless come se fossero collegati via cavo. È possibile creare anche una rete "BlueBUS" mista, cioè composta da dispositivi "tradizionali", collegati fisicamente al cavo bus (e collegati alla centrale tramite questo cavo), e da dispositivi "wireless", collegati via radio all'interfaccia BlueBUS (e collegati alla centrale tramite questa interfaccia).

Qualsiasi altro uso diverso da quello descritto e in condizioni ambientali diverse da quelle riportate in questo manuale, è da considerarsi improprio e vietato!

3 Verifiche preliminari all'installazione e limiti d'impiego

Prima di procedere all'installazione del sistema è necessario valutare alcuni aspetti relativi al suo principio di funzionamento, in modo da ottenere la massima sicurezza e funzionalità.

- Da sola, l'interfaccia IBW non è un sistema di collegamento wireless **completo** ma è solo una parte di questo. Pertanto, per poterla utilizzare è necessario abbinarla ad almeno uno degli accessori wireless citati nel capitolo 2.
- Accertarsi che le condizioni in cui verranno utilizzati i dispositivi siano compatibili con le specifiche riportate nei loro manuali istruzioni (capitolo "Caratteristiche tecniche"). In caso di dubbi non utilizzare i dispositivi, ma richiedere chiarimenti al servizio assistenza tecnica di Nice.
- Accertarsi che nell'area circostante all'automazione non siano presenti dispositivi che producano interferenze radio in modo costante. Questi potrebbero disturbare e alterare il funzionamento del sistema.

3.1 - Limiti d'impiego

- L'interfaccia IBW può essere installata esclusivamente in ambienti protetti dall'azione dell'acqua, dell'umidità e della polvere.
- L'interfaccia IBW può essere collegata esclusivamente ad una centrale compatibile con il protocollo di comunicazione "BlueBUS" di Nice.
- L'interfaccia IBW e i dispositivi collegati ad essa non garantiscono il funzionamento ottimale con le centrali di comando che prevedono comunicazioni radio nella banda 868 MHz.
- I dispositivi LLW, PHW e TCW2 integrano una cella per l'alimentazione fotovoltaica che ne obbliga l'installazione all'aperto, dove la cella può ricevere la luce diretta del sole per la maggior parte della giornata. **Attenzione!** – È preferibile installare ciascun dispositivo in posizione favorevole rispetto al sole, cioè lontano da oggetti o situazioni che possano determinare un evidente oscuramento della cella solare per l'intera giornata.
- La quantità massima di accessori che possono essere collegati a una centrale dipende dalle caratteristiche tecniche del "BlueBUS" presente in quella centrale. In ogni caso non è possibile superare le 20 unità.
- La compatibilità di TCW1 o TCW2 dipende dalle caratteristiche tecniche del "BlueBUS" presente nella centrale; il suo corretto funzionamento dipende dalla compatibilità della centrale con i dispositivi di tipo FT210. Se la centrale supporta i bordi sensibili installati su BlueBUS allora la si potranno installare TCW1 e/o TCW2 tramite IBW in caso contrario, cioè se si volesse comunque utilizzare un TCW1 e/o TCW2 senza compatibilità con BlueBUS, si potrà eventualmente usufruire di un IRW (interfaccia wireless a relè). Ulteriori limiti d'impiego sono contenuti nel capitolo "Caratteristiche tecniche".

4 Procedura generale per installare, collegare, programmare e collaudare tutti i dispositivi del sistema

4.1 - Fissaggio e collegamento di tutti i dispositivi

Per fissare e collegare tutti i dispositivi previsti nel sistema è necessario eseguire tutte le operazioni riportate di seguito, rispettando scrupolosamente la sequenza indicata.

01. All'interno dell'automazione stabilire la posizione nella quale verrà installato ciascuno dei dispositivi wireless previsti (fare riferimento alla fig. 2, al manuale istruzioni della centrale e a quello di ogni dispositivo). Avvertenza – Due o più coppie di fotocellule wireless non generano tra loro nessuna interferenza ottica, anche se queste sono posizionate vicine tra loro. Se nella stessa automazione sono presenti anche fotocellule cablate (tradizionali), per evitare eventuali interferenze ottiche tra queste e quelle wireless, si consiglia di installare su uno stesso lato gli elementi TX wireless e gli elementi RX cablati e, sul lato opposto, i restanti elementi RX e TX.
02. Smontare i dispositivi per avere libero accesso al tasto “T”, ai jumper “J” e alle batterie (fare riferimento alla fig. 3, 4, 5).
03. Consultare le tabelle riportate nel manuale istruzioni dell'automatismo per scegliere la funzione che si desidera assegnare ad ogni dispositivo previsto (per i dispositivi LLW e TCW1/2 fare riferimento al rispettivo manuale d'istruzioni). Quindi, inserire i jumper in ogni dispositivo, con la configurazione riportata nelle tabelle.
04. Collegare ogni dispositivo TCW1/2 previsto, ai cavi del bordo sensibile di competenza, come mostrato nella fig. 6.
05. Accedere alla centrale dell'automazione (fare riferimento al suo manuale istruzioni) e collegare l'interfaccia IBW alla centrale (fare riferimento al paragrafo 4.2.1 o al 4.2.2).
06. Avvicinare tutti i dispositivi wireless all'interfaccia IBW ed effettuare la programmazione di ognuno (fare riferimento al capitolo 5, individuando il paragrafo adatto allo scopo prefissato).
07. Al termine della programmazione eseguire nella centrale la **ricerca dei dispositivi**, utilizzando la procedura presente nel manuale istruzioni della centrale. La stessa operazione può essere eseguita anche con il programmatore Oview, inviando il comando “Ricerca BlueBUS”.
08. Posizionare provvisoriamente ogni dispositivo wireless nel punto previ-

sto per la sua installazione; posizionare l'antenna dell'interfaccia IBW in un punto che possa garantire una buona ricezione/trasmisione. Infine, procedere alla verifica del corretto funzionamento di tutti i dispositivi del sistema, effettuando il **Collaudo** dell'intero sistema come descritto nel capitolo 6.

09. Al termine del collaudo fissare in modo definitivo ogni singolo dispositivo wireless nei punti prestabiliti (fare riferimento alla fig. 7, 8, 9). Fissare l'interfaccia IBW in prossimità della centrale o al suo interno, proteggendola in modo adeguato (fig. 2). Infine, fissare l'antenna con il biadesivo in dotazione, nella posizione stabilita durante il collaudo.

4.2 - Collegamento dell'interfaccia IBW

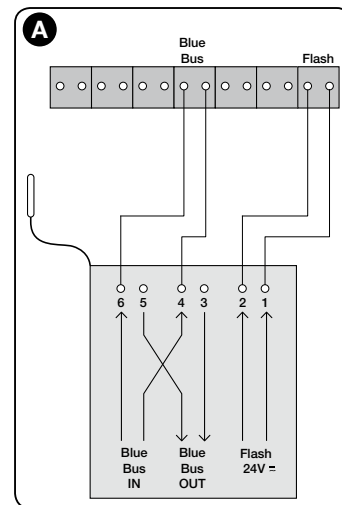
4.2.1 - Collegamento di IBW ad una centrale generica di Nice, con l'utilizzo del segnalatore lampeggiante LLW

La **fig. A** riporta un esempio di come collegare l'interfaccia IBW ad una centrale generica di Nice, con protocollo di comunicazione “BlueBUS”. Se non s'intende utilizzare il segnalatore lampeggiante LLW o, in alternativa, lo si vuole utilizzare esclusivamente come luce di cortesia, è possibile non effettuare il collegamento al morsetto “Flash” della centrale.

4.2.2 - Collegamento di IBW ad una centrale generica “Nice” e allestimento di una rete mista

Come spiegato nel capitolo 2 è possibile creare una rete BlueBUS di tipo misto, in cui far convivere dispositivi “wireless” e dispositivi “cablati”. Per questo tipo di rete tenere presente che:

- l'installazione di dispositivi misti non fa aumentare il numero massimo dei dispositivi installabili nella centrale (fare riferimento al manuale istruzioni della centrale);
- nelle fotocellule le configurazioni dei jumper devono essere **diverse** tra le varie coppie di fotocellule previste nell'impianto, senza distinguere tra le fotocellule wireless e quelle cablate.



5 Programmazione

Affinché l'interfaccia IBW e i dispositivi wireless possano comunicare tra loro via radio, è necessario eseguire la fase di "acquisizione" dei dispositivi da parte dell'interfaccia, utilizzando una delle procedure riportate in questo capitolo 5.

Avvertenze per la programmazione:

- Per individuare sui prodotti i Led e i tasti citati nel manuale, fare riferimento alla **fig. 12**.
- Nelle procedure che richiedono l'inserimento (o la rimozione) delle batterie nei vari dispositivi, fare riferimento alla **fig. 13, 14, 15**, per effettuare l'operazione.
- Tutte le fasi di programmazione terminano automaticamente dopo 2 minuti dall'ultimo tasto premuto. Le eventuali modifiche fatte fino a quel momento vengono memorizzate comunque.
- **Al termine delle procedure di programmazione potrebbe essere necessario eseguire nella centrale la ricerca dei dispositivi. Per questa operazione utilizzare la procedura presente nel manuale istruzioni della centrale. La stessa operazione può essere eseguita anche con il programmatore Oview, inviando il comando "Ricerca BlueBUS".**

5.1 - Creare un nuovo impianto

Questa procedura permette di creare un nuovo impianto, cioè a partire da dispositivi wireless con la memoria priva di qualsiasi dato (impostazione di fabbrica), nel momento dell'installazione.

01. Mantenere premuto il tasto dell'interfaccia IBW e rilasciarlo dopo che il Led si è acceso con luce verde fissa: ora, l'interfaccia è pronta per acquisire i dispositivi wireless.

Il seguito della procedura permette di installare un dispositivo wireless. Quindi ripetere la procedura dal punto 02 per ogni dispositivo wireless che si desidera installare.

02. Inserire le batterie nel dispositivo wireless (oppure, se queste sono già presenti, premere e rilasciare il tasto "T" del dispositivo): l'interfaccia IBW emetterà un suono breve (beep) per confermare l'acquisizione e nel dispositivo inizieranno a lampeggiare il Led "A" con luce verde, e i Led "B", fino al termine della procedura.
03. Per abbinare ulteriori dispositivi all'interfaccia, ripetere, per ognuno, le istruzioni partendo dal punto 02.
04. Infine, premere e rilasciare il tasto dell'interfaccia IBW per terminare la procedura.
05. Il Led con luce verde in IBW inizierà a lampeggiare velocemente fino all'avvenuta memorizzazione dei dispositivi wireless.

5.2 - Aggiungere ulteriori dispositivi a un impianto esistente

Questa procedura permette di aggiungere a una rete wireless esistente, ulteriori dispositivi wireless, senza la necessità di acquisire nuovamente i dispositivi già installati.

01. **Avvertenza** – I nuovi dispositivi wireless da acquisire non devono avere dati in memoria. Se un dispositivo è già stato utilizzato in un altro impianto, è necessario ripristinare le impostazioni di fabbrica tramite la procedura descritta nel paragrafo 5.5.
02. Mantenere premuto il tasto dell'interfaccia IBW e rilasciarlo dopo l'accensione del Led verde. Ora il Led inizierà a lampeggiare velocemente e l'interfaccia cercherà di comunicare con ciascuno dei dispositivi pre-esistenti nell'impianto (nei dispositivi wireless inizieranno a lampeggiare il Led "A", con luce verde, e i Led "B"). Al termine, il Led dell'interfaccia si accenderà con luce verde fissa, ponendo l'interfaccia nella fase di "ascolto radio" per l'acquisizione di nuovi dispositivi.
Attenzione! – Se qualche dispositivo non dovesse comunicare, l'interfaccia emetterà un suono (beep) per 10 secondi. Se nel frattempo non viene premuto nessun altro tasto, alla fine dei 10 secondi l'interfaccia interromperà la fase di acquisizione, mantenendo l'impianto nello stato precedente.
03. Inserire le batterie nel dispositivo da aggiungere (oppure, se queste sono già presenti, premere e rilasciare il tasto "T" del dispositivo): l'interfaccia IBW emetterà un suono breve (beep) per confermare l'avvenuta acquisizione e, nel dispositivo, inizieranno a lampeggiare il Led "A" con luce verde, e i Led "B", fino al termine della procedura.
04. Per abbinare all'interfaccia ulteriori dispositivi, ripetere per ognuno le istruzioni partendo dal punto 03.
05. Infine, premere e rilasciare il tasto dell'interfaccia IBW per terminare la procedura.
06. Il Led con luce verde in IBW inizierà a lampeggiare velocemente fino all'avvenuta memorizzazione dei dispositivi wireless.

5.3 - Rimuovere uno o più dispositivi da un impianto esistente

Questa procedura permette di rimuovere da una rete wireless esistente, uno o più dispositivi wireless, senza la necessità di dover ri-acquisire e/o di dover re-installare daccapo tutto l'impianto.

01. Togliere le batterie dal dispositivo che si intende rimuovere, oppure ripristinare le sue impostazioni di fabbrica tramite la procedura descritta nel paragrafo 5.5, in modo che il dispositivo non sia più in grado di comunicare.
02. Mantenere premuto il tasto dell'interfaccia IBW e rilasciarlo dopo l'accensione del Led verde. Al rilascio il Led dell'interfaccia inizierà a lampeggiare velocemente e quest'ultima cercherà di comunicare con ciascuno dei dispositivi pre-esistenti nell'impianto (tutti i Led dei dispositivi inizieranno a lampeggiare). Al termine di questa fase l'interfaccia emetterà un suono (beep) di 10 secondi, per indicare la mancata risposta del/dei dispositivo/i da rimuovere. Entro la durata

del suono premere e rilasciare il tasto dell'interfaccia per confermare la rimozione del/dei dispositivo/i: nell'interfaccia il Led si accende con luce verde fissa.

Se si desidera acquisire ulteriori nuovi dispositivi: proseguire la programmazione come indicato nella procedura 5.2, dal punto 03, altrimenti passare al punto successivo.

03. Terminare la procedura premendo e rilasciando il tasto dell'interfaccia IBW: questa emette 2 suoni (beep-beep) per confermare l'avvenuta rimozione del/dei dispositivo/i.

5.4 - Sostituire l'interfaccia in un impianto esistente

Questa procedura permette di sostituire l'interfaccia IBW in un impianto esistente. Anziché cancellare l'abbinamento in tutti i dispositivi wireless presenti e procedere successivamente ad acquisirli uno alla volta, la procedura consente alla nuova interfaccia di acquisire, con una semplice operazione, tutti i dispositivi presenti, servendosi di uno di questi. **Avvertenza** – se la nuova interfaccia proviene da un altro impianto, prima di iniziare la procedura occorre ripristinare le sue impostazioni di fabbrica utilizzando la procedura descritta nel paragrafo 5.5.

01. Scegliere un dispositivo wireless qualsiasi tra quelli esistenti nell'impianto e rimuoverlo dalla base per poter accedere al suo tasto "T". Quindi avvicinarlo alla nuova interfaccia che si desidera installare.

02. Sulla nuova interfaccia: mantenere premuto il tasto per circa 10 secondi e rilasciarlo dopo l'accensione del Led rosso.

03. Sulla nuova interfaccia: premere 2 volte il tasto; dopo 5 secondi il Led rosso inizia a lampeggiare indicando che è in fase di "attesa".

04. Sul dispositivo wireless (quello scelto al punto 01): mantenere premuto il tasto "T" fino a quando il Led "A" si accende con colore rosso fisso. Quindi, premere altre 2 volte il tasto "T". Dopo 5 secondi il Led rosso e quello verde iniziano a lampeggiare, indicando che è iniziata la trasmissione dei dati relativi alla vecchia installazione, verso la nuova interfaccia IBW.

Sulla nuova interfaccia: durante la ricezione dei dati inizia a lampeggiare anche il Led verde (il Led rosso lampeggia ancora da prima) e il dispositivo emette un suono (beep).

05. Trascorso il tempo necessario alla ricerca di tutti i dispositivi wireless presenti, nella nuova interfaccia il Led diventa verde fisso e nei dispositivi inizieranno a lampeggiare i Led "A" (con luce verde) e "B". Quindi la nuova interfaccia emetterà un suono (beep) per ogni dispositivo acquisito: ad esempio, se nella vecchia installazione erano presenti 7 dispositivi wireless l'interfaccia emetterà 7 "beep".

06. Infine, terminare la procedura premendo e rilasciando il tasto dell'interfaccia.

5.5 - Cancellare la memoria nell'interfaccia e nei dispositivi

Le seguenti procedure permettono di cancellare la memoria dei dispositivi, ripristinando le impostazioni di fabbrica. È utile eseguirle quando si desidera ri-utilizzare uno o più dispositivi installati precedentemente in un impianto, per creare un impianto nuovo.

5.5.1 - Cancellazione di un'interfaccia IBW

01. Mantenere premuto il tasto dell'interfaccia IBW (per circa 10 secondi) e rilasciarlo dopo l'accensione del Led rosso.

02. Premere e rilasciare di nuovo il tasto dell'interfaccia: dopo 5 secondi il Led rosso inizia a lampeggiare indicando che si è attivata la fase di cancellazione. Al termine dei lampeggi l'interfaccia potrà essere utilizzata in un nuovo impianto.

5.5.2 - Cancellazione di un dispositivo wireless

01. Mantenere premuto il tasto "T" del dispositivo fino a quando il Led "A" si accende fisso, con colore rosso.

02. Premere e rilasciare di nuovo il tasto del dispositivo: dopo 5 secondi il Led "A" rosso inizierà a lampeggiare, indicando che si è attivata la fase di cancellazione. Al termine dei lampeggi il dispositivo potrà essere utilizzato in un nuovo impianto.

Avvertenze per la procedura di collaudo:

- **Dopo una qualsiasi fase di programmazione è necessario effettuare il collaudo dell'intero sistema di collegamento wireless per verificare il funzionamento dei dispositivi presenti.**
- *Poiché alcune fasi del collaudo prevedono delle verifiche con l'anta in movimento, e durante il collaudo l'automazione potrebbe non essere ancora adeguatamente sicura, si raccomanda di fare massima attenzione nell'effettuare queste verifiche.*
- *Ripetere tutta la sequenza di collaudo per ogni singolo dispositivo presente nella rete di collegamento wireless.*

01. Accertarsi che siano state rispettate tutte le istruzioni descritte nel presente manuale e, in particolare, le avvertenze dei capitoli 1 e 3.

02. Collaudare un sensore TCW1/2, collegato a un bordo di tipo resistivo:

- a)** - scollegare il bordo dai morsetti del sensore e, con un ohmetro, misurare il valore della resistenza del bordo, accertandosi che il valore sia compreso tra 7700 ohm e 8700 ohm (nominale 8200 ohm);
- b)** - premere il bordo sensibile per attivarlo e misurare nuovamente il valore della sua resistenza: accertarsi che il valore sia minore di 1000 ohm oppure superiore a 16500 ohm;
- c)** - infine, collegare di nuovo il bordo ai morsetti del sensore TCW1/2.

03. Attivare la modalità "verifica funzionamento" del sistema:

- a)** - accertarsi che tutti i dispositivi del sistema siano alimentati;
- b)** - sull'interfaccia IBW premere e rilasciare il tasto: questa operazione attiva la modalità "verifica funzionamento" del sistema;
- c)** - portare l'anta del cancello in vari punti della sua corsa e osservare ogni volta il Led "B" di ogni dispositivo per verificare se la ricezione radio è sufficiente o meno (○ = Led acceso; ● = Led spento):
 - ○ ○ = ricezione radio ottima
 - ○ ● = ricezione radio buona
 - ● ● = ricezione radio sufficiente
 - ● ● = ricezione radio insufficiente

Se in uno o più dispositivi wireless è acceso un solo Led per la maggior parte del tempo di manovra, si consiglia di migliorare la comunicazione, intervenendo su ciascuno di essi nel modo seguente: avvicinare quanto più possibile il dispositivo wireless all'antenna dell'interfaccia IBW, oppure spostare l'antenna in una posizione più alta da terra e/o allontanarla da eventuali parti metalliche. Quindi, eseguire il successivo punto 06 fino al raggiungimento di una buona performance.

04. Verificare la sicurezza relativa al bordo sensibile secondo il livello di pressione PSPE: premere e rilasciare il bordo sensibile; quindi accertarsi che il Led "A" del sensore TCW1/2 passi dallo stato "lampeggiante" allo stato "acceso fisso". Il colore della luce del Led dipende dal livello di carica delle batterie come spiegato nel paragrafo 7.2.2.

05. Verificare l'allineamento della fotocellula PHW: effettuare questa verifica facendo riferimento al manuale della centrale. Il lampeggio di segnalazione emesso dal Led "A" delle fotocellule è il seguente:

- **nella fotocellula TX:** lampeggio di un secondo con duty-cycle del 10%. Il colore della luce del Led dipende dal livello di carica delle batterie come spiegato nel paragrafo 7.2.2.
- **nella fotocellula RX:** lampeggio di durata 100ms e frequenza proporzionale all'allineamento: da lampeggio di 1 secondo (= *segnale ottimale*) a Led acceso fisso (= *segnale assente*). Il colore della luce del Led dipende dal livello di carica delle batterie come spiegato nel paragrafo 7.2.2.

In questa fase è possibile controllare anche il corretto funzionamento delle fotocellule interrompendo il fascio di allineamento con un ostacolo e accertandosi che il Led sia acceso fisso.

06. Verificare il funzionamento del segnalatore luminoso LLW: se il dispositivo è impostato come luce di cortesia, la lampada rimane accesa; invece se è impostato come segnalatore lampeggiante la lampada fa un lampeggio di breve durata, ogni secondo.

07. Disattivare la modalità "verifica funzionamento" del sistema: sull'interfaccia IBW premere e rilasciare il tasto.

08. Agganciare meccanicamente l'anta al motore e comandare una manovra. Accertarsi che il Led verde dell'interfaccia IBW inizi a lampeggiare regolarmente e che l'apertura e la chiusura dell'anta avvengano correttamente, senza inversioni del movimento.

09. Comandare alcune manovre e verificare quanto segue:

- frapporre un ostacolo tra ogni coppia di fotocellule e accertarsi che l'automazione si comporti nella maniera desiderata/prevista;
- premere ogni bordo sensibile e accertarsi che l'automazione si comporti nella maniera desiderata/prevista;
- se è installato il segnalatore LLW ed è impostato come luce lampeggiante, verificare che questo effettui un lampeggio di 0.3 secondi, ogni secondo).

10. Se le potenziali situazioni pericolose provocate dal movimento dell'anta sono state salvaguardate mediante la limitazione della forza d'impatto (tipo C, secondo la norma EN 12445, nella parte relativa al dispositivo sensibile alla pressione PSPE), la verifica dell'interfaccia IBW e dei sensori TCW1/2 va fatta misurando la forza con lo specifico strumento, lungo la corsa del cancello, nei punti specifici previsti dal capitolo 5 della norma EN 12445.

7 Diagnostica del sistema

7.1 - Segnalazioni dell'interfaccia IBW

Se l'interfaccia IBW non ha nessun dispositivo wireless acquisito, eseguirà un lampeggio rosso ogni secondo, altrimenti eseguirà i lampeggi come descritto nei paragrafi 7.1.1 e 7.1.2.

7.1.1 - Segnalazioni con la centrale in stand-by

Lampeggi	Significato
1 rosso:	L'interfaccia non è abbinata a nessun dispositivo
1 verde, 1 verde:	L'interfaccia è abbinata ad almeno un dispositivo; i dispositivi abbinati rispondono correttamente; i dispositivi abbinati hanno la batteria carica
1 rosso, 1 verde:	Almeno uno dei dispositivi abbinati ha la batteria scarica; i dispositivi abbinati rispondono correttamente
1 verde, 1 rosso:	I dispositivi abbinati hanno la batteria carica; nella precedente manovra, almeno uno dei dispositivi ha avuto problemi di comunicazione
1 rosso, 1 rosso:	Almeno uno dei dispositivi abbinati ha la batteria scarica; nella precedente manovra, almeno uno dei dispositivi ha avuto problemi di comunicazione

In tutti i casi, il lampeggio viene aggiornato alla fine di ogni manovra oppure quando la centrale si accende nuovo, dopo un periodo di stand-by. Ogni volta che il lampeggio viene aggiornato, se viene rilevata una situazione di allarme (batteria scarica o scarso segnale di uno dei dispositivi) il buzzer emetterà un suono del tipo "beep-beeeeeeep".

7.1.2 - Segnalazioni durante una manovra / collaudo

Il Led verde lampeggia continuamente e in modo intermittente; quando un dispositivo di sicurezza (TCW1/2 o PHW) segnalano una situazione di pericolo si accende il Led rosso.

7.2 - Segnalazioni dei dispositivi PHW, TCW1, TCW2 e LLW

7.2.1 - Segnalazioni con la centrale in stand by

Quando la centrale è ferma (non in manovra), se si toglie la batteria dal dispositivo in questione e la si mette di nuovo, il dispositivo eseguirà la seguenti segnalazioni:

Lampeggi	Significato
1 rosso:	Il trasmettitore non è abbinato a nessun ricevitore
1 rosso, 1 rosso:	Il dispositivo non è abbinato a nessuna interfaccia e il tentativo di abbinamento non è riuscito
1 verde, 1 rosso:	Il dispositivo è abbinato a una interfaccia ma l'interfaccia abbinata non risponde
1 verde, 1 verde:	Il dispositivo è abbinato ad una interfaccia e l'interfaccia abbinata risponde correttamente

7.2.2 - Segnalazioni durante una manovra

• Significato del colore del Led "A":

colore verde = batteria carica; **colore rosso** = batteria scarica.

• Significato della frequenza di lampeggio del Led "A":

– **Fotocellule PHW (elemento RX):** nell'elemento RX del dispositivo la frequenza del lampeggio del Led "A" dipende dalla qualità dell'allineamento. In particolare più il segnale ottico ricevuto dalla fotocellula RX è debole, più la frequenza del lampeggio aumenta fino a diventare acceso fisso (= *interruzione completa del fascio*). Invece, quando il segnale ricevuto è ottimale, il lampeggio viene eseguito una volta al secondo, con 10% di duty-cycle.

– **Fotocellule PHW (elemento TX) e segnalatore luminoso LLW:** in questi dispositivi il Led "A" esegue un lampeggio al secondo, con 10% di duty-cycle.

– **Sensore TCW1/2:** se il bordo sensibile non è premuto il lampeggio del Led "A" viene eseguito una volta al secondo, con 10% di duty-cycle; invece, se il bordo sensibile è premuto il Led rimane acceso fisso.

• Significato del colore del Led "B":

Nei dispositivi dotati di cella fotovoltaica (TCW2, PHW, LLW) il Led "B" (quello centrale) si accende una volta ogni 4 secondi quando il dispositivo sta caricando la batteria, ovvero, quando c'è un sufficiente livello di irraggiamento solare.

7.3 - Procedura di "verifica funzionamento" dei dispositivi

Questa procedura permette di effettuare una diagnosi di tutti i dispositivi presenti in una rete wireless. Può essere effettuata in qualsiasi momento e consente di accer-

tare lo stato del bordo sensibile, delle fotocellule, del lampeggiante e la qualità del segnale radio. La procedura si attiva nel modo seguente:

01. Premere e rilasciare il tasto dell'interfaccia per entrare nella modalità "verifica funzionamento".
02. Effettuare le verifiche riportate nei punti successivi.
03. Al termine, premere e rilasciare il tasto dell'interfaccia IBW per uscire dalla modalità "verifica funzionamento", oppure attendere 2 minuti.

• **Per verificare lo stato di efficienza dei bordi sensibili**

Agire sul bordo sensibile e osservare i Led sull'interfaccia IBW e sul sensore TCW1/2, facendo riferimento alla seguente tabella:

Led interfaccia IBW	Significato
verde lampeggiante:	rete attiva
accensione led rosso:	intervento di un dispositivo di sicurezza; es. bordo premuto o fascio ottico interrotto oppure un dispositivo non risponde

• **Led "A" del sensore TCW1/2**

Fare riferimento al paragrafo 7.2.2.

• **Led "B" del sensore TCW1/2**

In questo caso i Led "B" servono ad indicare la qualità del segnale radio secondo la seguente tabella:

Led B	Significato
spento	Nessun segnale o pessimo segnale
o	Segnale basso
oo	Segnale medio
ooo	Segnale alto

Approfondimenti

In questo capitolo verranno trattate le possibilità di personalizzazione, di diagnostica e di ricerca guasti del prodotto.

A - Cosa fare se... (risoluzione dei problemi)

- **L'automazione si ferma o inverte sempre la manovra prima di terminarla.**
Verificare la corretta ricezione radio del sensore TCW1/2 effettuando la procedura "verifica funzionamento" descritta nel paragrafo 7.3.
Se la rete BlueBUS è di tipo "misto" accertarsi che non ci sia un'interferenza ottica tra le fotocellule wireless PHW e quelle cablate; in questo caso risolvere il problema invertendo tra loro gli elementi TX ed RX delle fotocellule wireless.
- **L'automazione non si ferma e non inverte la manovra quando interviene un dispositivo di sicurezza.**
– Accertarsi che la centrale abbia acquisito tutti i dispositivi presenti nell'interfaccia IBW: se la centrale non li ha acquisiti, l'interfaccia IBW segnala lo stato con un suono periodico (beep) emesso durante la manovra o durante la procedura "verifica funzionamento". Pertanto, eseguire nella centrale la ricerca dei dispositivi, utilizzando la procedura presente nel manuale istruzioni della centrale. La stessa operazione può essere eseguita anche con il programmatore Oview, inviando il comando "Ricerca BlueBUS".
– Se il problema persiste, accertarsi che i vari dispositivi appartenenti ad una stessa tipologia (ad esempio, tutte le coppie di fotocellule) non abbiano la stessa configurazione di jumper.
- **Il segnalatore lampeggiante funziona solo durante la procedura "verifica funzionamento".**
Verificare il corretto collegamento del dispositivo nel morsetto "Flash" della centrale e accertarsi che questa uscita sia configurata con la funzione "lampeggiante". Inoltre, nel dispositivo accertarsi che i jumper siano posizionati correttamente.

B - Manutenzione

La manutenzione dei dispositivi del sistema non necessita di accorgimenti particolari. È necessario un controllo almeno ogni 6 mesi, nel quale verificare lo stato dei dispositivi (presenza di umidità, ossidazione, ecc.), eseguire la loro pulizia esterna e collaudare di nuovo il sistema effettuando la procedura descritta nel capitolo "Collaudo".

Nei dispositivi dotati di cella fotovoltaica verificare con maggior frequenza la pulizia della superficie occupata dalla cella solare, per garantire la massima efficienza del-

la ricarica. I dispositivi del sistema sono studiati per funzionare almeno 10 anni, in condizioni normali. Trascorso questo periodo, è opportuno intensificare la frequenza degli interventi di manutenzione.

B.1 - Sostituzione delle batterie

La batteria ricaricabile dei dispositivi PHW, LLW e TCW2 può perdere di capacità dopo 4-5 anni di funzionamento, provocando frequenti segnalazioni di batteria scarica (il Led "A" rosso lampeggiante indica che è necessario sostituirla).

Le batterie non ricaricabili del sensore TCW1 devono essere sostituite ai primi segni di batteria scarica (Led "A" di colore rosso).

Per la sostituzione delle batterie nei vari dispositivi, fare riferimento alla **fig. 13, 14, 15**, e alle seguenti avvertenze:

- prima di iniziare il lavoro accertarsi che l'automazione sia ferma;
- inserire le nuove batterie facendo attenzione alla polarità;
- con le nuove batterie inserite, verificare il funzionamento del sistema come descritto nei passi 05 e 06 del capitolo 6 - "Collaudo".

C - Smaltimento

Questo prodotto è parte integrante dell'automazione, e dunque, deve essere smaltito insieme con essa.

Come per l'installazione, anche al termine della vita di questo prodotto, le operazioni di smantellamento devono essere eseguite da personale qualificato.

Questo prodotto è costituito da vari tipi di materiali, alcuni possono essere riciclati altri devono essere smaltiti; informatevi sui sistemi di riciclaggio o smaltimento previsti dai regolamenti locali per questa categoria di prodotto. **Attenzione!** - Alcune parti del prodotto possono contenere sostanze inquinanti o pericolose, se disperse potrebbero provocare effetti dannosi sull'ambiente e sulla salute umana.

Come indicato dal simbolo a lato è vietato gettare questo prodotto nei rifiuti domestici. Eseguire la "raccolta separata" per lo smaltimento secondo i metodi previsti dai regolamenti locali; oppure riconsegnare il prodotto al venditore nel momento dell'acquisto di un nuovo prodotto equivalente. Regolamenti locali possono prevedere pesanti sanzioni in caso di smaltimento abusivo di questo prodotto.

Attenzione! - Il prodotto funziona con batterie che potrebbero contenere sostanze inquinanti e quindi non devono essere buttate nei rifiuti comuni. Dopo averle rimosse dal prodotto occorre smaltirle secondo i metodi previsti dai regolamenti locali.



D - Caratteristiche tecniche

• Allo scopo di migliorare i prodotti, Nice S.p.a. si riserva il diritto di modificare le caratteristiche tecniche in qualsiasi momento e senza preavviso, garantendo comunque le funzionalità e la destinazione d'uso d'origine. • Tutte le caratteristiche tecniche sono riferite alla temperatura di 20° C.

Interfaccia "BlueBUS" IBW

- **Tipologia:** dispositivo installato nella parte fissa dell'automazione e collegato via cavo alla centrale. È utilizzato per la ricezione wireless dello stato dei sensori contenuti nelle fotocellule, bordi sensibili ecc. e per la trasmissione di comandi come, ad esempio, l'accensione della luce di segnalazione nel lampeggiante.
- **Tecnologia adottata:** ricetrasmittente dei dati via radio a 868 MHz.
- **Alimentazione:** tramite collegamento al morsetto "BlueBUS" della centrale di comando dell'automazione.
- **Potenza assorbita:** 0,65 W
- **Portata radio utile:** 20 m(*)
- **Portata radio massima (in condizioni ottimali):** 40 m
- **Categoria di resistenza ai guasti:** Categoria 2, secondo la norma EN 13849-1, soltanto se la centrale di comando in cui viene installato riesce a garantire tale categoria all'intera automazione.
- **Utilizzo in atmosfera acida, salina o potenzialmente esplosiva:** no
- **Montaggio:** all'interno degli automatismi o solo all'interno di adeguati contenitori di protezione.
- **Grado di protezione contenitore:** IP30
- **Temperatura di esercizio:** -20 ÷ +70° C
- **Dimensioni (mm):** 18 x 33 x 40
- **Peso (g):** 25
- **Numero massimo di cicli di manovre al giorno:** 15, con manovre che durano massimo 1 minuto.

Nota: (*) - La portata dei dispositivi ricetrasmittenti può essere influenzata da altri dispositivi che operano nelle vicinanze alla stessa frequenza (ad esempio radiocuffie, sistemi di allarme, ecc.), provocando interferenze nel sistema. Nei casi di forti interferenze, il costruttore non può offrire nessuna garanzia circa la reale portata dei propri dispositivi radio.

Le caratteristiche tecniche dei dispositivi PHW, LLW, TCW1, TCW2 sono contenute nei loro rispettivi manuali di istruzioni.

Dichiarazione CE di conformità

Dichiarazione in accordo alla Direttiva 1999/5/CE

Nota: Il contenuto di questa dichiarazione corrisponde a quanto dichiarato nel documento ufficiale depositato presso la sede di Nice S.p.a. e, in particolare, alla sua ultima revisione disponibile prima della stampa di questo manuale. Il testo qui presente è stato riadattato per motivi editoriali. Copia della dichiarazione originale può essere richiesta a Nice S.p.a. (TV) I.

Numero: **412/IBW**; Revisione: **0**; Lingua: **IT**

Il sottoscritto Luigi Paro, in qualità di Amministratore Delegato, dichiara sotto la propria responsabilità che il prodotto: • **nome produttore:** NICE S.p.A. • **indirizzo:** via Pezza Alta n°13, 31046 Rustignè di Oderzo (TV) Italy • **tipo di prodotto:** interfaccia tra un sistema BlueBus e i dispositivi, con tecnologia radio bidirezionale Solemyo Air Net System • **modello / tipo:** IBW • **accessori:** no, risulta conforme ai requisiti essenziali richiesti dall'articolo 3 della seguente direttiva comunitaria, per l'uso al quale i prodotti sono destinati:

• Direttiva 1999/5/CE DEL PARLAMENTO EUROPEO E DEL CONSIGLIO del 9 marzo 1999 riguardante le apparecchiature radio e le apparecchiature terminali di comunicazione e il reciproco riconoscimento della loro conformità, secondo le seguenti norme armonizzate: • Protezione della salute (art. 3(1)(a)): EN 50371:2002 • Sicurezza elettrica (art. 3(1)(a)): EN 60950-1:2006+A11:2009 • Compatibilità elettromagnetica (art. 3(1)(b)): EN 301 489-1 V1.8.1:2008, EN 301 489-3 V1.4.1:2002 • Spettro radio (art. 3(2)): EN 300 220-2 V2.3.1:2010

In accordo alla direttiva 1999/5/CE (Allegato V), il prodotto risulta di classe 1 e marcato: **CE 0682**

Inoltre il prodotto risulta conforme a quanto previsto dalle seguenti direttive comunitarie:

• DIRETTIVA 2004/108/CE DEL PARLAMENTO EUROPEO E DEL CONSIGLIO del 15 dicembre 2004 concernente il ravvicinamento delle legislazioni degli Stati membri relativa alla compatibilità elettromagnetica e che abroga la direttiva 89/336/CEE, secondo le seguenti norme armonizzate: EN 61000-6-2:2005, EN 61000-6-3:2007

Inoltre soddisfa totalmente o parzialmente per le parti applicabili, i requisiti delle seguenti norme: EN 13849-1:2008; EN 13849-2:2008; EN 13241-1:2004; EN 12453:2002; EN 12445:2002; EN12978:2003 + A1:2009

Oderzo, 5 luglio 2011

Ing. **Luigi Paro**
(Amministratore Delegato)



Notes pour la consultation

Le présent manuel est un guide complet pour la réalisation des connexions radio, en modalité « sans fils (wireless) », entre l'interface IBW et tous les dispositifs Nice dotés de la technologie radio Solemyo Air Net System (celle-ci se base sur la transmission radio bidirectionnelle sans câbles électriques). Sauf pour l'IBW, les dispositifs suivants, mentionnés dans le manuel, ne sont pas présents dans l'emballage: photocellule PHW, dispositifs lumineux de signalisation, capteurs TCW1 et TCW2 (tranche de sécurité).

1 Avertissements et précautions générales de sécurité

Attention ! • Instructions importantes pour la sécurité : conserver ces instructions. • Pour la sécurité des personnes il est important de respecter ces instructions ; avant de commencer le travail il faut donc lire attentivement ce manuel.

Compte-tenu des dangers qui peuvent se manifester au cours de l'installation et de l'utilisation des dispositifs cités dans ce manuel, il faut que l'installation ait lieu dans le total respect des lois, normes et règlements afin que soit assurée la sécurité maximale.

Selon la législation européenne la plus récente, l'automatisation d'une porte ou d'un portail est assujettie à la « Directive machines 2006/42/CE (ex 98/37/CE) » et en particulier aux normes suivantes qui permettent de déclarer la conformité à la directive machines : EN 13241-1 (norme harmonisée); EN12445 ; EN12453 ; EN12635.

D'ultérieures informations concernant l'analyse des risques et la réalisation du livret technique sont disponibles sur le site www.niceforyou.com.

- Ce manuel est exclusivement destiné au personnel technique qualifié pour l'installation ; aucune information figurant dans le présent livret ne présente d'intérêt pour l'utilisateur final !
- La réalisation de systèmes de sécurité pour portes et portails automatiques est soumise aux directives suivantes :
 - EN 12453 Portes et portails industriels, commerciaux et pour les garages. Sécurité

rité au cours de l'utilisation des portes motorisées - *Exigences*.

- EN 12978 ; Portes équipant les locaux industriels, commerciaux et les garages
- Dispositifs de sécurité pour portes et portails motorisés - *Exigences et méthodes de test*.

Donc installer et connecter les dispositifs cités dans le manuel pour réaliser un « système de sécurité » qui ne soit pas conforme aux exigences des normes mentionnées correspond à une négligence et à un abus délibéré !

- L'utilisation des dispositifs cités dans le manuel dans un but différent de celui prévu dans le manuel même est interdit! Des utilisations impropres peuvent être la cause de dangers ou de dommages à choses ou à personnes.
- Ne pas effectuer de modification sur aucune partie des dispositifs cités dans le manuel si celles-ci ne sont pas prévues dans le manuel même ; des modifications non autorisées ne peuvent que causer des pannes. Nice décline toute responsabilité pour les dommages causés par des produits modifiés de manière arbitraire.
- **Recommandations particulières sur l'aptitude de l'utilisation des dispositifs cités dans le manuel au regard de la Directive « Compatibilité Électromagnétique » 2004/108/CE (ex 89/336/CEE).** Ces produits ont été soumis aux essais relatifs à la compatibilité électromagnétique dans les situations d'utilisation les plus critiques, dans les configurations prévues dans le manuel et associé avec les articles présents dans le catalogue de produits de Nice. Donc, si de tels dispositifs sont utilisés dans des configurations différentes ou avec des produits non prévus, la compatibilité électromagnétique pourrait ne pas être garantie. L'utilisation de ces dispositifs dans ces situations est interdite jusqu'à ce que l'installateur en ait vérifié la conformité aux exigences prévues par la directive citée.
- Les dispositifs mentionnés dans le manuel appartiennent à la catégorie 2 pour la sécurité de par rapport aux pannes (selon la norme EN 13849-1). Toutefois, pour rester dans cette catégorie il faut que la centrale à laquelle sera reliée l'interface IBW appartienne aussi à la catégorie 2 pour la sécurité par rapport aux pannes (selon la norme EN 13849-1).
- Il faut s'assurer que les conditions dans lesquelles seront utilisés les différents dispositifs sont compatibles avec les données mentionnées dans le chapitre « Caractéristiques techniques » des respectifs manuels d'instruction.
- Pour les connexions électriques utiliser des conducteurs appropriés tels que ceux indiqués dans le chapitre « Installation et branchements ».

2 Description du produit et utilisation

IBW est une interface à technologie radio **Solemyo Air Net System de Nice** et est exclusivement compatible avec les dispositifs pourvus de cette technologie (fig. 1). Il utilise le protocole de communication « BlueBUS » de Nice et se connecte par câble à la centrale Nice dotée du même protocole, utilisé pour contrôler et commander l'automatisme d'un portail, d'une porte d'un garage ou dispositifs similaires.

Dans les réseaux à protocole « BlueBUS », l'interface IBW permet d'étendre le réseau câblé ou de créer un nouveau réseau composé d'accessoires dotés de la technologie radio **Solemyo Air Net System**, alimentés à batterie ou par des cellules photovoltaïques mettant à profit la communication radio bidirectionnelle pour les relier à la centrale de l'automatisme sans recourir à des câbles électriques. Ces accessoires (non inclus dans l'emballage) sont les photocellules PHW, les dispositifs de signalisation clignotants / éclairage de courtoisie LLW et les capteurs TCW1 / TCW2 se branchant sur les tranches sensibles de type résistif ou photo-optique. L'interface IBW et ces dispositifs forment ensemble un réseau de communication sans fils, de type « BlueBUS ». Pour de majeurs détails sur la composition et le fonctionnement d'un réseau « BlueBUS » câblé, se référer au manuel de la centrale de l'automatisme.

L'interface IBW est connectée à la centrale, via câble, sur le bornier « BlueBUS » et contrôle le fonctionnement de tout le réseau d'accessoires. Si un ou plusieurs dispositifs LLW sont utilisés en guise de clignoteur, l'interface doit également être reliée au bornier « Flash ». Pour résumer, l'interface IBW est un dispositif qui « traduit » les messages qui voyagent sur les câbles en messages transmis via radio et vice versa, en faisant reconnaître au système « BlueBUS » les dispositifs reliés en modalité sans fils comme s'ils étaient reliés par le biais de câbles. Il est également possible de créer un réseau mixte, c'est à dire composé de dispositifs traditionnels, reliés physiquement au câble bus (et connectés à la centrale par le biais de ce câble), et de dispositifs « sans fils », connectés via radio à l'interface BlueBUS (et connectés à la centrale par le biais de cette interface).

Toute autre utilisation que celle décrite et dans des conditions ambiantes différentes de celles indiquées dans ce guide doit être considérée comme impropre et interdite !

3 Vérifications préliminaires avant l'installation et limites d'utilisation

Avant de procéder à l'installation du système il faut évaluer quelques aspects liés à son principe de fonctionnement, de façon à obtenir la sécurité et la fonctionnalité maximales.

- Seule, l'interface IBW n'est pas un système de connexion sans fils **complet** mais seulement un élément de celui-ci. Par conséquent, pour pouvoir l'utiliser, il faut l'associer à au moins l'un des accessoires sans fil mentionné au chapitre 2.
- S'assurer que les conditions d'utilisation des dispositifs sont compatibles avec les spécifications mentionnées dans leurs manuels d'instruction (chapitre « Caractéristiques techniques »). En cas de doute, ne pas utiliser les produits mais demander des éclaircissements au service d'assistance technique Nice.
- S'assurer que dans la zone avoisinant l'automatisation ne soient pas présents des dispositifs produisant des interférences radio de manière continue. Ces dernières pourraient gêner et altérer le fonctionnement du système.

3.1 - Limites d'utilisation

- L'interface IBW ne peut être installée que dans des endroits protégés de l'action de l'eau, de l'humidité et de la poussière.
- L'interface IBW peut être connectée à seulement une centrale compatible au protocole de communication « BlueBUS » de Nice.
- L'interface IBW et les qui y sont connectés ne garantissent pas le fonctionnement optimal avec les centrales de commande qui prévoient des communications radio dans la bande 868 MHz.
- Les dispositifs LLW, PHW et TCW2 comprennent une cellule d'alimentation photovoltaïque au pouvoir que les forces de l'installation à l'extérieur, où la cellule peut recevoir des rayons directs du soleil pour la plupart de la journée. **Attention** : - Il est préférable d'installer chaque appareil dans une position favorable par rapport au soleil, c'est à dire, loin d'objets ou de situations qui pourraient conduire à un évident assombrissement de la cellule solaire pour toute la journée.
- Le nombre maximum d'accessoires qui peuvent être reliés à une centrale dépend des caractéristiques techniques du « BlueBUS » de cette centrale. De toute manière il n'est pas possible de dépasser les 20 unités.
- D'ultérieures limites d'utilisation sont indiquées dans le chapitre « Caractéristiques techniques ».

4 Procédure générale d'installation, de connexion, de programmation et de test tous les dispositifs du système

4.1 - Montage et raccordement de tous les dispositifs

Pour monter et de connecter tous les dispositifs prévus dans le système il faut procéder à toutes les opérations énoncées ci-dessous, en respectant scrupuleusement la séquence.

01. Dans le cadre de l'automatisme, établir la position dans laquelle sera installé dans chacun des appareils sans fil prévus (voir Fig. 2, du manuel d'instruction de la centrale et à celui de chaque appareil.) Attention - Deux ou plusieurs paires de photocellules sans fil ne génèrent pas entre elles d'interférence optique même si elles sont très proches. Si dans le cadre de l'automatisation des photocellules filaires (traditionnelles) sont présentes, pour éviter d'éventuelles interférence optiques entre ces dernières et les cellules sans fil, il est conseillé d'installer d'un même côté les éléments TX sans fil et les éléments RX câblés et du côté opposé, les éléments RX et TX restants.
02. Démonter les dispositifs pour avoir libre accès à la touche « T », aux les cavaliers « J » et aux batteries (voir fig. 3, 4, 5).
03. Voir les tableaux dans le manuel d'instructions de l'opérateur de sélectionner la fonction que vous souhaitez attribuer à chaque appareil visé (FA pour le périphérique se référer à son manuel). Ensuite, mettez les cavaliers sur chaque périphérique, avec la configuration présentée dans les tableaux.
04. Connecter chaque dispositif TCW1/2 prévu aux câbles des tranches sensibles pertinentes, comme indiqué sur la fig. 6.
05. Accéder à la centrale de l'automatisme (se référer à son manuel d'installation) et brancher l'interface IBW à la centrale (voir paragraphe 4.2.1 ou 4.2.2).
06. Rapprocher tous les dispositifs wireless de l'interface IBW et effectuer la programmation de chacun d'eux (voir le chapitre 5, et identifier le paragraphe relatif au but recherché).
07. Au terme de la programmation procéder au niveau de la centrale à la recherche des dispositifs, en faisant appel à la procédure indiquée dans le manuel d'instruction de la centrale. Cette même opération peut également être effectuée au moyen du programmeur Ovion en lançant la commande « Recherche BlueBUS ».

08. Placer provisoirement chaque dispositif sans fil à l'endroit où son installation est prévue; placer l'antenne de l'interface IBW dans un point garantissant une bonne réception/émission. Procéder enfin à la vérification du correct fonctionnement de tous les dispositifs du système en effectuant le test de tout le système comme décrit au chapitre 6.
09. Au terme du test fixer de manière définitive chaque élément sans fil aux endroits prévus (voir les figures 7, 8, 9). Fixer l'interface IBW à proximité de la centrale ou à l'intérieur de celle-ci, en la protégeant de manière adéquate (fig 10). Fixer enfin l'antenne avec le ruban adhésif double face dans la position déterminée au cours du test.

4.2 - Branchement de l'interface IBW

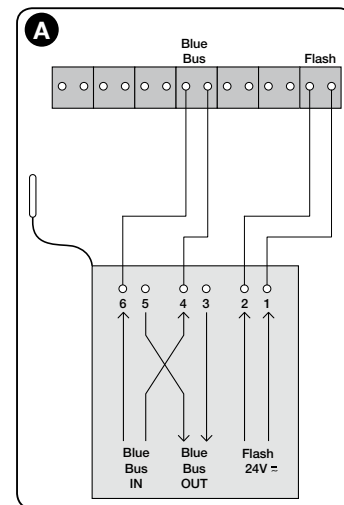
4.2.1 - Branchement d'IBW ad une centrale générique de Nice, avec l'utilisation du dispositif de signalisation clignotant LLW

La fig. A illustre un exemple de branchement l'interface IBW à une centrale générique de Nice, équipée du protocole de communication « BlueBUS ». S'il n'est pas prévu d'utiliser un dispositif de signalisation clignotant LLW ou, en alternative, s'il doit être exclusivement utilisé comme éclairage de courtoisie, on peut ne pas brancher le bornier « Flash » de la centrale.

4.2.2 - Branchement d'IBW à une centrale générique « Nice » et mise en place d'un réseau mixte

Comme expliqué dans le chapitre 2 il est possible de créer un réseau BlueBUS de type mixte au sein duquel coexistent des dispositifs « sans fils » et des dispositifs « câblés ». Pour ce type de réseau il faut se rappeler que:

- l'installation de dispositifs mixtes ne permet pas d'augmenter le nombre maximum de dispositifs pouvant être connectés à la centrale (se référer au manuel d'instruction de la centrale) ;
- dans les photocellules les dispositions des cavaliers doivent être différentes pour les couples de photocellule prévues pour l'installation sans distinction entre les photocellules sans fils et celles câblées.



5 Programmation

Pour que l'interface IBW et les dispositifs sans fils puissent communiquer entre eux via radio, il faut lancer la phase « d'acquisition » des dispositifs au niveau de l'interface en utilisant une des procédures indiquée au chapitre 5.

Avertissements pour la programmation :

- Pour repérer sur les produits les leds et les touches cités dans le manuel, se reporter à la **fig. 12**.
- Pour les procédures qui demandent la connexion (ou la déconnexion) de la batterie au sein des différents dispositifs se référer à la **fig. 13, 14, 15**, pour procéder à l'opération.
- Toutes les phases de programmation se terminent automatiquement deux minutes après la dernière touche actionnée. Les éventuelles modifications effectuées jusqu'à ce moment sont tout de même mémorisées.
- **Au terme de la procédure de programmation il pourrait être nécessaire de procéder à partir de la centrale à la recherche des dispositifs. Pour cette opération utiliser la procédure indiquée dans le manuel d'instruction de la centrale. Cette même opération peut également être effectuée au moyen du programmeur Oview en lançant la commande « Recherche BlueBUS ».**

5.1 - Créer une nouvelle installation

Cette procédure permet de créer une nouvelle installation, à partir de dispositifs sans fils dont la mémoire est vierge (configuration usine) au moment de l'installation.

- 01.** Maintenir la pression sur la touche de l'interface IBW et la relâcher quand la led s'est allumée en vert ; maintenant l'interface est prête à acquérir les dispositifs sans fils.

La suite de la procédure permet d'installer un dispositif sans fils. Répéter la procédure depuis le point 2 pour tout dispositif sans fils qui doit être installé.

- 02.** Placer les batteries dans le dispositif sans fils (ou, si elles sont déjà présentes, appuyer sur la touche « T » du dispositif et la relâcher): l'interface IBW émettra un son bref (bip) pour confirmer l'acquisition et sur le dispositif commenceront à clignoter la led « A » avec lumière verte et les leds « B », jusqu'à la fin de la procédure.
- 03.** Pour associer d'ultérieurs dispositifs à l'interface, répéter, pour chacun d'eux les instructions en partant du point 2.
- 04.** Pour conclure, appuyer sur la touche de l'interface IBW et la relâcher pour terminer la procédure.

5.2 - Ajouter d'ultérieurs dispositifs à une installation déjà existante

Cette procédure permet d'ajouter à un réseau sans fils existant d'ultérieurs dispositifs sans fils sans avoir besoin d'acquérir une nouvelle fois les dispositifs déjà installés.

- 01. Avertissement** – Les nouveaux dispositifs à acquérir ne doivent pas posséder de données en mémoire. Si un dispositif a déjà été utilisé sur une autre installation, il est nécessaire de revenir à la configuration usine par le biais de la procédure décrite dans le paragraphe 5.5.
- 02.** Appuyer sur la touche de l'interface et maintenir l'action jusqu'à l'allumage de la led verte. Maintenant la led commencera à clignoter rapidement et l'interface tentera de communiquer avec chaque dispositif préinstallé de l'installation (les leds « A » à lumière verte et les leds « B » des dispositifs sans fils commenceront à clignoter A la fin, la led de l'interface s'allumera de manière fixe en vert, plaçant ainsi l'interface dans une phase « d'écoute de la radio » pour l'acquisition des nouveaux dispositifs.
Attention : - Si un dispositif ne devait pas communiquer, l'interface émettra un son (bip) pendant 10 secondes. Si, pendant ce temps, aucune autre touche n'est appuyée au terme des 10 secondes l'interface interrompra la phase d'acquisition, en maintenant l'installation dans son état précédant.
- 03.** Placer les batteries dans le dispositif à ajouter sans fils (ou, si elles sont déjà présentes, appuyer sur la touche « T » du dispositif et la relâcher): l'interface IBW émettra un son bref (bip) pour confirmer l'acquisition et sur le dispositif commenceront à clignoter la led « A » avec lumière verte et les leds « B », jusqu'à la fin de la procédure.
- 04.** Pour associer d'ultérieurs dispositifs à l'interface, répéter, pour chacun d'eux les instructions en partant du point 3.
- 05.** Pour conclure, appuyer sur la touche de l'interface IBW et la relâcher pour terminer la procédure.

5.3 - Éliminer un ou plusieurs dispositifs d'une installation existante

Cette procédure permet d'éliminer d'un réseau sans fil existant, un ou plusieurs dispositifs sans fil, sans avoir à réacquérir et / ou d'avoir à réinstaller tout le système.

- 01.** Retirer les piles de l'appareil qui doit être éliminé ou restaurer les paramètres d'usine en utilisant la procédure décrite dans la section 5.5, de sorte que l'appareil ne soit plus en mesure de communiquer.
- 02.** Appuyer sur la touche de l'interface et maintenir l'action jusqu'à l'allumage de la led verte. Lorsque qu'on relâche la pression sur la touche la led de l'interface commencera à clignoter rapidement et cette dernière tentera de communiquer avec chacun des dispositifs existants dans le système (tous les leds des dispositifs commenceront à clignoter). A la fin de cette phase, l'interface sera un son

(bip) de 10 secondes pour indiquer l'absence de réponse du / des dispositifs à éliminer. Pour confirmer l'élimination du/des dispositifs appuyer et relâcher la touche de l'interface pendant que retentit le bip : la led de l'interface s'allume avec une lumière verte fixe.

Pour l'acquisition par le système d'autres nouveaux dispositifs : poursuivre la programmation comme indiqué dans la procédure 5.2, du point 03, sinon, passez à l'étape suivante.

03. Terminer la procédure en appuyant et relâchant le bouton de l'interface IBW : cette dernière émet deux sons (bip-bip) pour confirmer que la suppression du/des dispositifs a bien eu lieu.

5.4 - Remplacer l'interface d'une installation existante

Cette procédure permet de remplacer l'interface IBW d'une installation existante. Au lieu de supprimer l'association dans tous les dispositifs sans fils et de passer ensuite à leur nouvelle acquisition dans le système un à la fois, la procédure permet à la nouvelle interface de reconnaître, par une simple opération, tous les dispositifs présents, en utilisant l'un d'eux. **Attention** - si la nouvelle interface provient d'une autre installation, avant de commencer la procédure il faut rétablir ses réglages d'usine en utilisant la procédure décrite dans le paragraphe 5.5.

01. Choisir un appareil sans fils quelconque parmi ceux de l'installation et le décrocher de sa base pour pouvoir accéder à sa touche « T ». Puis l'approcher à la nouvelle interface à installer.

02. Sur la nouvelle interface : appuyer sur la touche pendant environ 10 secondes et la relâcher après que se soit allumée la led rouge.

03. Sur la nouvelle interface : appuyer 2 fois sur le bouton ; après 5 secondes, la led rouge commence à clignoter indiquant que l'interface est en phase « d'attente ».

04. Sur le dispositif sans fil (celui choisi au point 01) : maintenir appuyée la touche « T » jusqu'à ce que la led « A » s'allume en rouge en mode fixe. Puis appuyer 2 fois encore sur la touche « T ». Après 5 secondes, les leds rouge et verte commencent à clignoter, indiquant qu'a débuté la transmission des données relatives à l'ancienne installation vers la nouvelle interface BWI.

Sur la nouvelle interface : lors de la réception de données la led verte commence aussi à clignoter (la LED rouge clignote déjà) et l'appareil émet un son (bip).

05. Après le temps nécessaire pour rechercher tous les périphériques sans fil, dans la nouvelle interface, la led devient vert fixe et dans les dispositifs commenceront à clignoter les leds « A » (avec une lumière verte) et « B ». La nouvelle émettra alors un son (bip) pour chaque dispositif acquis : si par exemple il y avait 7 dispositifs sans fils dans la vieille installation, l'interface émettra 7 « bip ».

06. Terminer ensuite la procédure en appuyant et en relâchant la touche de l'interface.

5.5 - Effacer la mémoire de l'interface et des périphériques

Les procédures suivantes vous permettent d'effacer la mémoire des dispositifs en restaurant les réglages d'usine. Ceci est utile pour réutiliser un ou plusieurs dispositifs installés précédemment dans une autre installation, afin de créer un nouveau système.

5.5.1 - Effacement d'une interface IBW

01. Appuyer sur la touche de l'interface IBW et maintenir l'action (pendant environ 10s) et la relâcher après l'allumage de la led verte.

02. Appuyer et relâcher à nouveau le bouton de l'interface : après 5 secondes, la led rouge commence à clignoter pour indiquer que la phase d'effacement est activée. A la fin du clignotement l'interface pourra être utilisée sur une nouvelle installation.

5.5.2 - Effacement d'un dispositif sans fils

01. Maintenir appuyée la touche « T » du dispositif jusqu'à ce que la led « A » s'allume en mode fixe en rouge.

02. Appuyez et relâchez de nouveau le bouton du dispositif : après 5 secondes, la led « A » se mettra à clignoter en rouge, indiquant que la phase d'effacement est activée. A la fin du clignotement le dispositif pourra être utilisé sur une nouvelle installation.

Avertissements pour la procédure de test :

• **Après toute phase de programmation il faut procéder au test de tout le système de connexion sans fils pour vérifier le fonctionnement des dispositifs présents.**

• *Vu que pour certaines phases de test il est nécessaire de procéder à des vérifications avec le vantail en mouvement, et que durant le test l'automatisme pourrait ne peut être pas encore suffisamment sûr, il est recommandé de prêter la plus grande attention durant le déroulement des ces vérifications.*

• **Répéter tout la séquence de tests pour chacun des dispositifs appartenant au réseau sans fils.**

01. S'assurer qu'ont été respectées toutes les instructions décrites dans le présent manuel et en particulier, les avertissements des chapitres 1 et 3.

02. Tester un capteur TCW1/2, connecté à une tranche de type résistif :

a) - déconnecter la tranche du bornier du capteur et, avec un ohmmètre, mesurer la valeur de la résistance de la tranche, en s'assurant que la valeur soit comprise entre 7700 ohms et 8700 ohms (nominal 8200 ohms) ;

b) - appuyer sur la tranche de sécurité pour l'activer et refaire la mesure : s'assurer que la valeur soit inférieure à 1000 ohms ou supérieure à 16500 ohms ;

c) - en dernier lieu, rebrancher la tranche aux bornes du capteur TCW1/2.

03. Activer la modalité de « Vérification du fonctionnement » du système :

a) - s'assurer que tous les dispositifs du système soient alimentés ;

b) - appuyer et relâcher la touche de l'interface IBW : cette opération active la modalité de « vérification du fonctionnement » du système ;

c) - amener le vantail du portail à plusieurs niveaux de sa course et observer chaque fois les leds « B » de chaque appareil pour contrôler si la réception radio est suffisante ou non (○ = led allumée, ● = led éteinte) :

○ ○ ○ = réception de radio excellente

○ ○ ● = réception radio bonne

○ ● ● = réception radio suffisante

● ● ● = mauvaise réception radio

Si sur un ou plusieurs dispositifs sans fil est allumé une seule led durant la plupart du temps de la manœuvre, il est conseillé d'améliorer la communication en intervenant sur chacun d'eux comme suit : rapprocher le plus possible le dispositif sans fil de l'antenne de l'interface IBW, ou déplacer l'antenne dans une position plus élevée du sol et/ou l'éloigner d'éventuels éléments métalliques. Procéder ensuite par le point 6, jusqu'à atteindre une bonne performance.

04. S'assurer la sécurité obtenue par la tranche sensible sen fonction du niveau de pression PSPE : appuyer et relâcher la tranche sensible, s'assurer

alors que la led « A » du capteur TCW1/2 passe de l'état « clignotant » à l'état « allumé fixe ». La couleur de la lumière de la led dépend du niveau de la batterie comme expliqué au paragraphe 7.2.2.

05. Vérifier l'alignement de la photocellule PHW : le vérifier en se référant au manuel de la centrale. Le signal clignotant émis par la led « A » des photocellules signifie ce qui suit :

• dans la photocellule TX : clignotement avec un rapport cyclique de 10%. La couleur de la lumière de la led dépend du niveau de la batterie comme expliqué au paragraphe 7.2.2.

• dans la photocellule RX : des éclats de 100ms et une fréquence proportionnelle à l'alignement : éclat de 1 seconde (= *signal optimal*) led allumée fixe (= *pas de signal*). La couleur de la lumière de la led dépend du niveau de la batterie comme expliqué au paragraphe 7.2.2.

A ce niveau on peut également contrôler le bon fonctionnement des photocellules en interrompant le faisceau d'alignement avec un obstacle et en s'assurant que la led soit allumée de manière fixe.

06. Vérifier le fonctionnement de la signalisation lumineuse LLW : Si l'appareil est configuré en lumière de courtoisie, la lampe reste allumée, mais s'il est défini comme dispositif de signalisation lumineuse, la lampe émet in éclat de courte durée à chaque seconde.

07. Désactiver la modalité « vérification de fonctionnement » du système : sur l'interface IBW appuyer et relâcher la touche.

08. Accoupler mécaniquement le vantail au moteur et effectuer la commande d'une manœuvre.

S'assurer que la led verte de l'interface IBW commence à clignoter régulièrement et que l'ouverture et la fermeture se déroulent correctement sans inversion du mouvement.

09. Procéder à la commande de plusieurs manœuvres et faire les vérifications suivantes:

- interposer un obstacle entre chaque couple de photocellules et s'assurer que l'automatisme se comporte de la façon désirée/prévue ;

- appuyer sur chaque tranche et s'assurer que l'automatisme se comporte de la façon désirée/prévue ;

- si un dispositif de signalisation LLW est installé et est configuré comme clignoteur, vérifier qu'il émette un éclat de 0,3 s toutes les secondes.

10. Si les potentielles situations dangereuses provoquées par le mouvement du vantail on été rendues pratiquement inoffensives par la limitation de la force d'impact (de type C, selon la norme EN 12445, pour la partie concernant le dispositif sensible à la pression PSPE), la vérification de l'interface IBW et des capteurs TCW1/2 est faite en mesurant la force avec l'instrument spécifique tout au long de la course du portail dans les positions spécifiques prévues dans le chapitre 5 de la norme EN12445.

7 Diagnostic du système

7.1 - Signalisations de l'interface IBW

Si l'interface IBW n'a acquis aucun dispositif sans fils elle émettra un clignotement rouge toutes les secondes, sinon, elle émettra des clignotements comme indiqué dans les paragraphes 7.1.1. e 7.1.2.

7.1.1 - Signalisations avec la centrale en veille (stand-by)

Clignotements	Signification
1 rouge :	L'interface n'est associée à aucun dispositif
1 verte, 1 verte :	L'interface est associée à au moins un dispositif ; les dispositifs associés répondent correctement ; les dispositifs associés ont leur batterie chargée
1 rouge, 1 verte :	Au moins un des dispositifs associé a la batterie déchargée ; les dispositifs associés répondent correctement
1 verte, 1 rouge :	Les dispositifs associés ont leur batterie chargée ; au cours de la manœuvre précédente il y a eu des problèmes de communication avec au moins un des dispositifs
1 rouge, 1 rouge :	Au moins un des dispositifs associés a sa batterie déchargée; au cours de la manœuvre précédente il y a eu des problèmes de communication avec au moins un des dispositifs

Dans tous les cas, le type de clignotement sera réactualisé à la fin de chaque manœuvre ou lorsque la centrale se réactive après une période de veille (stand-by). Chaque fois que le clignotement est actualisé, si une situation d'alarme est détectée (batterie déchargée ou signal faible d'un dispositif un périphérique), le buzzer retentit avec un son de type « bip-beeeeeeep ».

7.1.2 - Signalisations au cours de la manœuvre/test

La led verte clignote de manière continue et par intermittence; quand un dispositif de sécurité (TCW1/2 ou PHW) signale une situation de danger, la led rouge s'allume.

7.2 - Signalisation des dispositifs PHW, TCW1, TCW2 et LLW

7.2.1 - Signalisations de la centrale en veille (stand-by)

Quand la centrale n'est pas en train de gérer une manœuvre, si on retire la batterie d'un dispositif en qu'on la lui remette, l'appareil effectuera les signalisations suivantes :

Clignotements	Signification
1 rouge :	Le transmetteur n'est associé à aucun dispositif
1 rouge, 1 rouge :	Le dispositif n'est pas associé à une interface et la tentative d'association s'est révélée infructueuse
1 verte, 1 rouge :	Le dispositif est associé à une interface mais celle-ci ne répond pas
1 verte, 1 verte :	Le dispositif est associé à une interface et celle-ci répond correctement

7.2.2 - Signalisation du clignoteur

• Signification de la couleur de la led « A » :

couleur verte = batterie chargée ; **couleur rouge** = batterie déchargée.

• Signification de la fréquence de clignotement de la led « A » :

– **Photocellule PHW (élément RX)** : sur l'élément RX du dispositif la fréquence du clignotement de la led « A » dépend du correct alignement. En particulier plus le signal reçu par la photocellule RX est faible, plus la fréquence de clignotement augmente jusqu'à devenir allumé de manière fixe (= *interruption complète faisceau*). Au contraire, quand le signal reçu est optimal, le clignotement a lieu une seconde fois avec un rapport cyclique de 10%.

– **Photocellule PHW (élément TX) et dispositif de signalisation lumineuse LLW** : sur ces dispositifs la led « A » produit un éclat toute les secondes avec un rapport cyclique de 10%.

– **Capteur TCW1/2** : si aucune pression n'est exercée sur la tranche sensible le clignotement de la led « A » a lieu toutes les secondes avec un rapport cyclique de 10% ; si au contraire la tranche subit une pression la led s'allume en rouge de manière fixe.

• Signification de la couleur de la led « B » :

Sur les dispositifs dotés de cellules photovoltaïques (TCW2, PHW, LLW) la led « B » (celle au centre) s'allume une fois toutes les 4 secondes quand le dispositif procède à la recharge de la batterie, c'est à dire quand le niveau de rayonnement solaire est suffisant.

7.3 - Procédure de « vérification du fonctionnement » des dispositifs

Cette procédure permet un diagnostic de tous les appareils d'un un réseau sans fils. Elle peut être faite à tout moment et permet de vérifier l'état de la tranche sensible bord sensible, des photocellules, du clignoteur et la qualité du signal radio. La procédure s'active de la manière suivante :

01. Appuyer et relâcher la touche de l'interface pour entrer dans la modalité « vérification du fonctionnement ».

02. Effectuer les vérifications mentionnées dans les points successifs.
 03. A la fin, appuyer et relâcher la touche de l'interface IBW pour sortir de la modalité « vérification du fonctionnement » ou attendre 2 minutes.

• **Pour vérifier l'état de l'efficacité des tranches sensibles**

Agir sur la tranche et observer les leds de l'interface IBW et du capteur TCW1/2 en se référant au tableau suivant :

Led interface IBW	Signification
vert clignotant :	réseau actif
allumage led rouge :	intervention d'un dispositif de sécurité: ex. tranche appuyée ou faisceau optique interrompu un dispositif ne répond pas

• **Led « A » du capteur TCW1/2**

Se reporter au paragraphe 7.2.2.

• **Led « B » du capteur TCW1/2**

Dans ce cas les led « B » servent à indiquer la qualité du signal radio selon le tableau suivant :

Led B	Signification
éteint	Aucun signal ou signal très mauvais
o	Signal faible
oo	Signal moyen
ooo	Signal fort

Approfondissements

Dans ce chapitre seront abordés les possibilités de personnalisation, de diagnostic et de recherche des pannes du produit.

A - Que faire si... (résolution des problèmes)

• **L'automatisme s'arrête ou inverse toujours la manœuvre avant de pouvoir la conclure.**

Vérifier la bonne réception radio du capteur TCW1/2 en lançant la procédure de « vérification du fonctionnement » décrite au chapitre 7.3.

Si le réseau BlueBUS est de type mixte, s'assurer qu'il n'y ait pas d'interférence optique entre les photocellules sans fils et celles câblées ; le cas échéant résoudre le problème en inversant les éléments TX et RX des photocellules sans fils.

• **L'automatisme ne s'arrête pas et n'inverse pas la manœuvre lors de l'intervention d'un dispositif de sécurité.**

– S'assurer que la centrale ait acquis tous les dispositifs présent dans l'interface IBW: si la centrale ne les a pas acquis, l'interface IBW signal cet état en émettant un son périodique (bip) durant la manœuvre ou la procédure de « vérification du fonctionnement ». Il faut procéder au niveau de la centrale à la recherche des dispositifs, en faisant appel à la procédure indiquée dans le manuel d'instruction de la centrale. Cette même opération peut également être effectuée au moyen du programmeur Oview en lançant la commande « Recherche BlueBUS ».

– Si le problème persiste, s'assurer que les différents dispositifs appartenant à la même typologie (par exemple tous les couples de photocellules) n'aient pas la même disposition des cavaliers.

• **Le dispositif de signalisation clignotant fonctionne seulement durant la durée de la procédure de « vérification du fonctionnement ».**

Vérifier le correct branchement du dispositif sur le bornier « Flash » de la centrale et s'assurer que cette sortie soit configurée avec la fonction « clignoteur ». S'assurer en outre que les cavaliers du dispositif soient configurés correctement.

B - Maintenance

L'entretien des dispositifs ne nécessite pas de mesures particulières. Un contrôle est nécessaire au moins tous les 6 mois au cours duquel il faut vérifier l'état des dispositifs (présence d'humidité, oxydation etc...), procéder à un nettoyage externe et faire un nouveau test du système en effectuant la procédure décrite dans le chapitre « Test ». Pour les dispositifs munis de cellules photovoltaïques vérifier plus fréquemment la propreté des surfaces des cellules solaires pour garantir l'efficacité maximale de

la recharge. Les dispositifs ont été étudiés pour fonctionner au moins 10 ans dans des conditions normales. Au delà de cette période, il est opportun d'augmenter la fréquence des interventions d'entretien.

B.1 - Remplacement des batteries

La batterie rechargeable des dispositifs PHW, LLW et TCW2 peut perdre de capacité après 4-5 ans de fonctionnement, provoquant de fréquentes signalisations de batterie déchargée (la led « A » rouge clignotante indique qu'il faut la remplacer).

Les piles des capteurs TCW1 doivent être remplacées dès les premiers signes de batterie faible (led « A » de couleur rouge).

Pour le remplacement des batteries dans les différents dispositifs se reporter aux **fig. 13, 14, 15**, et aux avertissements suivants :

- avant de commencer le travail s'assurer que l'automatisme soit à l'arrêt;
- installer les nouvelles batteries en prenant garde aux polarités;
- vérifier le fonctionnement du système avec les nouvelles batteries installées comme décrit aux points 5 et 6 du chapitre 6 - « Test ».

C - Mise au rebut

Ce produit est partie intégrante de l'automatisme et doit donc être mis au rebut avec ce dernier.

De même que pour les opérations d'installation, à la fin de la vie de ce produit, les opérations de mise au rebut doivent être effectuées par du personnel qualifié.

Ce produit est constitué de différents types de matériaux, certains pouvant être recyclés d'autre devant être mis au rebut. S'informer sur les différents systèmes de recyclage ou de mise au rebut prévus par les règlements locaux pour cette catégorie ce produit. **Attention** : – Certains composants du produit peuvent contenir des substances polluantes ou dangereuses qui pourraient avoir des effets nuisibles sur l'environnement et sur la santé des personnes s'ils étaient dispersés dans la nature.

Comme l'indique le symbole ci-contre, il est interdit de jeter ce produit avec les déchets domestiques. Par conséquent, utiliser la méthode de la « collecte sélective » pour la mise au rebut des composants conformément aux prescriptions des normes en vigueur dans le pays d'utilisation ou restituer le produit au vendeur lors de l'achat d'un nouveau produit équivalent. Des règlements en vigueur localement peuvent prévoir de lourdes sanctions en cas d'élimination sauvage de ce produit.

Attention : - Le produit fonctionne avec des batteries qui pourraient contenir des substances polluantes et celle-ci ne doivent donc pas être jetés dans les déchets domestiques. Après les avoir extraites du produit il faut les mettre au rebut selon les méthodes prévus par les règlements locaux.



D - Caractéristiques techniques

• Afin d'améliorer les produits Nice S.p.a. se réserve le droit d'en modifier les caractéristiques techniques à tout moment et sans préavis en garantissant le fonctionnement et le type d'utilisation prévus à l'origine. • Toutes les caractéristiques techniques se réfèrent à une température de 20° C.

Interface « BlueBUS » IBW

- **Typologie** : dispositif installé sur la partie fixe de l'automatisme et branché via câble à la centrale. Il est utilisé pour la réception sans fils de l'état des capteurs des photocellules, des tranches sensibles etc... et pour la transmission des commandes comme par exemple l'allumage de la lumière de signalisation du clignoteur.
- **Technologie adoptée** : émission/réception des données via radio à 868 MHz.
- **Alimentation** : par le biais de la connexion au bornier « BlueBUS » de la centrale de commande de l'automatisme.
- **Puissance absorbée** : 0,65 W
- **Portée radio utile** : 20 m (*)
- **Portée radio maximale (dans des conditions optimales)** : 40 m
- **Catégorie de résistance aux pannes** : Catégorie 2, selon la norme EN 13849-1, uniquement si la centrale de commande où il est installé est en mesure de garantir cette catégorie à tout l'automatisme.
- **Utilisation en atmosphère acide, saline ou potentiellement explosive** : non
- **Montage** : à l'intérieur des automatismes ou seulement à l'intérieur de coffrets appropriés.
- **Degré de protection** : IP30
- **Température de fonctionnement** : -20 ÷ +70° C
- **Dimensions (mm)** : 18 x 33 x 40
- **Poids (g)** : 25
- **Nombre maximum de cycle de manœuvre par jour** : 15, avec des manœuvres d'une durée maximale d'une minute.

Remarque : (*) - La portée des dispositifs d'émission/réception peut être influencée par d'autres dispositifs qui opèrent dans le voisinage sur la même fréquence (par exemples des casques radio, des systèmes d'alarme, etc...), provoquant des interférences avec le système. Dans le cas de fortes interférences, le constructeur ne peut offrir aucune garantie sur la portée réelle des propres dispositifs radio.

Les caractéristiques techniques des dispositifs PHW, LLW, TCW1, TCW2 sont contenues dans leurs respectifs manuels d'instruction.

Déclaration CE de conformité

Déclaration conforme à la Directive 1999/5/CE

Note: Le contenu de cette déclaration correspond aux déclarations figurant dans le document officiel déposé au siège social de Nice S.p.A. et, en particulier, à la dernière mise à jour disponible avant l'impression de ce manuel. Le présent texte a été réadapté pour raisons d'édition. Une copie de la déclaration originale peut être demandée à Nice S.p.a. (TV) - Italie

Numéro : **412/IBW** ; Révision : **0** ; Langue : **FR**

Je soussigné Luigi Paro en qualité d'Administrateur délégué, déclare sous mon entière responsabilité que le produit : • **nom du fabricant:** NICE S.p.A. • **adresse:** via Pezza Alta n°13, 31046 Rustignè di Oderzo (TV) Italy • **type de produit:** interface entre un système BlueBUS et les dispositifs à technologie radio bidirectionnelle Solemyo Air Net System • **modèle / type:** IBW • **accessoires:** non, s'avère conforme aux conditions essentielles requises par l'article 3 de la Directive communautaire ci-après, pour l'usage auquel les produits sont destinés :

• Directive 1999/5/CE DU PARLEMENT EUROPÉEN ET DU CONSEIL du 9 mars 1999 concernant les équipements hertziens et les équipements terminaux de télécommunications et la reconnaissance mutuelle de leur conformité, selon les normes harmonisées suivantes : • Protection de la santé (art. 3(1)(a)) : EN 50371:2002 • Sécurité électrique (art. 3(1)(a)) : EN 60950-1:2006+A11:2009 • Compatibilité électromagnétique (art. 3(1)(b)) : EN 301 489-1 V1.8.1:2008, EN 301 489-3 V1.4.1:2002 • Spectre radio (art. 3(2)) : EN 300 220:-2 V2.3.1:2010

Conformément à la Directive 1999/5/CE (Annexe V), le produit appartient à la classe 1 et est marqué : **CE 0682**

Le produit est en outre conforme aux directives communautaires suivantes :

• DIRECTIVE 2004/108/CE du PARLEMENT EUROPÉEN ET DU CONSEIL du 15 décembre 2004 relative au rapprochement des législations des États membres concernant la compatibilité électromagnétique et abrogeant la Directive 89/336/CEE, selon les normes harmonisées suivantes : EN 61000-6-2:2005, EN 61000-6-3:2007

Est en outre conforme en totalité ou en partie, pour les sections pertinentes aux normes suivantes : EN 13849-1:2008 ; EN 13849-2:2008 ; EN 13241-1:2004 ; EN 12453:2002 ; EN 12445:2002 ; EN12978:2003 + A1:2009

Fait à Oderzo, le mardi 5 juillet 2011

Ingénieur **Luigi Paro**
(Administrateur délégué)



Notas informativas

El presente manual sirve como un guía completa para la realización de las conexiones de radio, de forma inalámbrica, entre la interfaz IBW y todos los dispositivos Nice provistos de la tecnología de radio Solemyo Air Net System, que se basa en la transmisión vía radio bidireccional, sin la ayuda de cables eléctricos. A excepción de la interfaz IBW, los siguientes dispositivos citados en el manual no se incluyen en la caja: las fotocélulas PHW, los indicadores luminosos LLW y los sensores TCW1 y TCW2 (para bandas sensibles).

1 Advertencias y precauciones generales de seguridad

¡Atención! • Instrucciones importantes de seguridad: conserve estas instrucciones. • Es importante respetar estas instrucciones a fin de preservar la seguridad de las personas; por tanto, antes de empezar a trabajar, es preciso leer detenidamente este manual.

Habida cuenta de los peligros que se pueden detectar durante la instalación y el uso de los dispositivos citados en el manual, es necesario realizar la instalación de plena conformidad con las leyes, las normas y los reglamentos vigentes, a fin de garantizar la máxima seguridad

En virtud de la legislación europea más reciente, la automatización de una puerta o una cancela queda regulada en la “Directiva de Máquinas” 2006/42/CE (revisión de la Directiva 98/37/CE) y, en particular, en las siguientes normas que permiten declarar la conformidad con la Directiva de Máquinas: EN 13241-1 (norma armonizada); EN12445; EN12453; EN12635.

En el sitio web www.niceforyou.com hay información adicional disponible acerca del análisis de los riesgos y la elaboración del expediente técnico.

- Este manual está destinado exclusivamente al personal técnico cualificado para realizar la instalación; por tanto, ninguna otra información contenida en este manual puede ser de interés para el usuario final.
- La instalación de sistemas de seguridad para puertas y cancelas automáticas está sujeta a las siguientes normativas:

– EN 12453, Puertas industriales, comerciales, de garaje y portones. Seguridad de utilización de puertas motorizadas - *Requisitos*.

– EN 12978, Puertas industriales, comerciales, de garaje y portones. Dispositivos de seguridad para puertas y portones motorizados - *Requisitos y métodos de prueba*.

Por tanto, se considerará como negligencia y uso inadecuado e intencionado la instalación y conexión de los dispositivos citados en el presente manual con el fin de montar un “sistema de seguridad” que no cumpla los requisitos contemplados en las normas aludidas.

- Está prohibido utilizar los dispositivos mencionados en el manual de forma distinta a la prevista en el manual. Un uso inadecuado puede ocasionar riesgos o daños personales y materiales.
- No realice modificaciones en ninguna parte de los dispositivos mencionados en el manual si éstas no están contempladas en el manual, ya que, las modificaciones no autorizadas sólo pueden causar un funcionamiento inadecuado. Nice declina cualquier responsabilidad por los daños derivados de los productos modificados de forma arbitraria.
- **Advertencias especiales sobre la idoneidad para el uso de los dispositivos mencionados en el manual en relación a la Directiva “Compatibilidad Electromagnética” 2004/108/CE (revisión de la Directiva 89/336/CEE).** Estos dispositivos han sido sometidos a los ensayos relativos a la compatibilidad electromagnética en las situaciones de uso más estrictas, en las configuraciones previstas en este manual de instrucciones y en combinación con los artículos presentes en el catálogo de los productos de Nice. Por tanto, si tales dispositivos se usan con configuraciones diversas o con productos que no estén previstos para tal fin, podría no garantizarse la compatibilidad electromagnética. En consecuencia, queda prohibido utilizar los dispositivos en estas situaciones hasta que el instalador no haya verificado el cumplimiento de los requisitos previstos en la Directiva citada en el manual.
- Los dispositivos mencionados en el manual se engloban en la categoría 2 de seguridad contra averías (según la norma EN 13849-1). No obstante, para mantener esta categoría, también es necesario que la central a la que se conectará la interfaz IBW pertenezca a la misma categoría 2 en materia de seguridad contra averías (según la norma EN 13849-1).
- Asegúrese de que las condiciones en que se van a utilizar los distintos dispositivos sean compatibles con los datos descritos en el capítulo “Características técnicas” de los manuales de instrucciones correspondientes.
- Para realizar las conexiones eléctricas, es preciso utilizar los conductores adecuados, como los que se indican en el capítulo “Instalación y conexiones”.

2 Descripción del producto y uso previsto

IBW es una interfaz con la tecnología de radio Solemyo Air Net System de Nice y es compatible exclusivamente con los dispositivos que utilizan esta tecnología (fig. 1). Utiliza el protocolo de comunicación "BlueBUS" de Nice y se conecta por cable a una central Nice dotada del mismo protocolo, que se utiliza para controlar el sistema de automatización de una cancela, una puerta de garaje o similar.

En las redes con protocolo "BlueBUS", la interfaz IBW permite ampliar la red ya cableada, o bien permite crear una red nueva compuesta de accesorios dotados de la tecnología de radio **Solemyo Air Net System**, alimentados con batería o con célula fotovoltaica, utilizando la comunicación por radio bidireccional para conectarlos a la central del sistema de automatización sin la ayuda de cables eléctricos. Estos accesorios (no incluidos en la caja) son las fotocélulas PHW, las luces intermitentes y las luces de cortesía LLW y los sensores TCW1/TCW2 que han de conectarse a las bandas sensibles de tipo resistivo o foto-óptico. La combinación de la interfaz IBW con estos dispositivos forma una red de comunicación inalámbrica de tipo "BlueBUS". Para obtener información adicional acerca de la instalación y el funcionamiento de una red "BlueBUS" cableada, consulte el manual de la central del sistema de automatización.

La interfaz IBW se conecta a la central, por cable, en el borne "BlueBUS" y controla el funcionamiento de toda la red de accesorios. Si se utilizan como luz intermitente uno o varios dispositivos LLW, la interfaz debe conectarse también al borne "Flash". En resumen, la interfaz IBW es un dispositivo que "traduce" los mensajes que transcurren por cable en mensajes que se transmiten vía radio, y viceversa, permitiendo así al sistema "BlueBUS" reconocer los dispositivos conectados de forma inalámbrica como si estuvieran conectados por cable. También se puede crear una red "BlueBUS" mixta, es decir, compuesta de dispositivos "tradicionales", conectados físicamente al cable bus (y conectados a la central a través de este cable), y de dispositivos "inalámbricos", conectados vía radio a la interfaz BlueBUS (y conectados a la central a través de esta interfaz).

Se considera inadecuado y queda prohibido cualquier otro uso distinto al descrito y en condiciones ambientales diversas de las que se indican en este manual.

3 Controles previos a la instalación y límites de utilización

Antes de proceder a la instalación del sistema, es necesario evaluar algunos aspectos relacionados con su principio de funcionamiento, a fin de lograr la máxima seguridad y funcionalidad.

- Por sí sola, la interfaz IBW no es un sistema de conexión inalámbrica **completo**, sino sólo una parte de dicho sistema. Por consiguiente, para poder utilizarla, es necesario conectarla al menos a uno de los accesorios inalámbricos citados en el capítulo 2.
- Asegúrese de que las condiciones en que se van a utilizar los dispositivos sean compatibles con las especificaciones descritas en sus respectivos manuales de instrucciones (capítulo "Características técnicas"). En caso de duda, no utilice los dispositivos y, en su lugar, solicite aclaraciones al servicio de asistencia técnica de Nice.
- Asegúrese de que en los alrededores del sistema de automatización no haya dispositivos que produzcan interferencias de radio de forma constante, ya que podrían interrumpir y alterar el funcionamiento normal del sistema.

3.1 - Límites de utilización

- La interfaz IBW puede instalarse exclusivamente en entornos protegidos del agua, la humedad y el polvo.
- La interfaz IBW puede conectarse exclusivamente a una central compatible con el protocolo de comunicación "BlueBUS" de Nice.
- La interfaz IBW y los dispositivos conectados a ella no garantizan el funcionamiento óptimo con las centrales de mando que ofrecen comunicaciones por radio en la banda 868 MHz.
- Los dispositivos LLW, PHW y TCW2 integran una célula para la alimentación fotovoltaica que obliga a instalarlos al aire libre, donde la célula pueda recibir luz directa del sol durante la mayor parte del día. **¡Atención!** – Es preferible instalar todos los dispositivos en una posición favorable de exposición a la luz solar, es decir, lejos de objetos o situaciones que puedan hacer sombra a la célula solar durante todo el día.
- La cantidad máxima de accesorios que pueden conectarse a una central depende de las características técnicas del protocolo "BlueBUS" presentes en dicha central. En cualquier caso, no se pueden conectar más de 20 unidades.
- En el capítulo "Características técnicas" se encuentran disponibles límites de utilización adicionales.

4

Procedimiento general de instalación, conexión, programación y ensayo de todos los dispositivos del sistema

4.1 - Montaje y conexión de todos los dispositivos

Para montar y conectar todos los dispositivos previstos en el sistema, es necesario aplicar todas las operaciones descritas a continuación, respetando de forma exhaustiva el orden indicado.

01. En el interior del sistema de automatización, defina la posición en la que se instalarán todos los dispositivos inalámbricos previstos (consulte la fig. 2, el manual de instrucciones de la central y el manual de cada uno de los dispositivos). Advertencia – Dos o más pares de fotocélulas inalámbricas no generan entre sí ninguna interferencia óptica, aunque estén colocados próximos entre ellos. Sin embargo, si en el mismo sistema de automatización hay también fotocélulas cableadas (tradicionales), a fin de evitar posibles interferencias ópticas entre estas y las inalámbricas, es aconsejable instalar en un mismo lado los elementos TX inalámbricos y los elementos RX cableados y, en el lado opuesto, los demás elementos restantes RX y TX.
02. Desmonte los dispositivos para tener acceso libre al botón “T”, a los puentes “J” y a las baterías (consulte las fig. 3, 4 y 5).
03. Consulte las tablas que aparecen en el manual de instrucciones del sistema de automatización para seleccionar la función que se desee asignar a cada dispositivo previsto (para el dispositivo LLW, consulte su manual de instrucciones). A continuación, introduzca los puentes en cada dispositivo, con la configuración indicada en las tablas.
04. Conecte cada dispositivo TCW1/2 previsto a los cables de la banda sensible correspondiente, tal como se ilustra en la fig. 6.
05. Acceda a la central del sistema de automatización (consulte su manual de instrucciones) y conecte la interfaz IBW a la central (consulte el apartado 4.2.1 o 4.2.2).
06. Aproxime todos los dispositivos inalámbricos a la interfaz IBW y programe cada uno de ellos (consulte el capítulo 5, individuando el apartado de forma que se adapte al propósito preestablecido).
07. Al finalizar la programación, busque los dispositivos en la central; para ello, utilice el procedimiento descrito en el manual de instrucciones de la misma. También se puede realizar la misma operación con el programador Oview, para lo que se debe enviar el comando “Búsqueda BlueBUS”.

08. Coloque de forma provisional todos los dispositivos inalámbricos en el punto previsto para su instalación; coloque la antena de la interfaz IBW en un lugar desde el que pueda garantizar una buena recepción y transmisión. Por último, verifique que todos los dispositivos del sistema funcionan correctamente; para ello, realice el Ensayo de todo el sistema, tal como se describe en el capítulo 6.

09. Al finalizar el ensayo, monte definitivamente cada uno de los dispositivos inalámbricos en los puntos preestablecidos (consulte las fig. 7, 8 y 9). Monte la interfaz IBW cerca de la central y en su interior, protegiéndola correctamente (fig. 10). Por último, monte la antena con el biadhesivo facilitado, en la posición establecida durante el ensayo.

4.2 - Conexión de la interfaz IBW

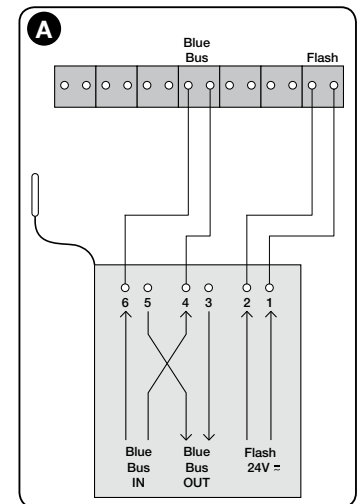
4.2.1 - Conexión de IBW a una central genérica de Nice, con la utilización de la luz intermitente LLW

La **fig. A** ilustra un ejemplo de cómo conectar la interfaz IBW a una central genérica de Nice, con el protocolo de comunicación “BlueBUS”. En caso de que no pretenda utilizar la luz intermitente LLW o, como alternativa, desea utilizarla exclusivamente como luz de cortesía, es posible no realizar la conexión al borne “Flash” de la central.

4.2.2 - Conexión de IBW a una red genérica “Nice” e instalación de una red mixta

Tal como se explica en el capítulo 2, es posible crear una red BlueBUS de tipo mixto en la que puedan interactuar dispositivos “inalámbricos” y “cableados”. Para este tipo de red, hay que tener en cuenta que:

- la instalación de dispositivos mixtos no aumenta el número máximo de dispositivos que se pueden instalar en la central (consulte el manual de instrucciones de la central);
- en las fotocélulas, la configuración de los puentes debe ser diferente entre los distintos pares de fotocélulas previstas en la instalación, sin distinguir entre las fotocélulas inalámbrica y las cableadas.



5 Programación

A fin de que la interfaz IBW y los dispositivos inalámbricos se puedan comunicar entre sí por radio, es necesario completar la fase de “análisis” de los dispositivos por parte de la interfaz; para ello, será necesario aplicar uno de los procedimientos descritos en este capítulo 5.

Advertencias de programación:

- Para individualizar en los productos los leds y los botones mencionados en el manual, consulte la **fig. 12**.
- En los procedimientos que requieren la introducción (o extracción) de las baterías en los distintos dispositivos, consulte las **fig. 13, 14 y 15** para realizar la operación.
- Todas las fases de programación terminan automáticamente tras haber transcurrido 2 minutos después de haber pulsado el último botón. No obstante, se memorizan las posibles modificaciones realizadas hasta ese preciso momento.
- **Al finalizar los procedimientos de programación, podría resultar necesario buscar los dispositivos en la central. Para realizar esta operación, es preciso utilizar el procedimiento descrito en el manual de instrucciones de la central. También se puede realizar la misma operación con el programador Oviver, para lo que se debe enviar el comando “Búsqueda BlueBUS”.**

5.1 - Crear una nueva instalación

Este procedimiento permite crear una nueva instalación, es decir, a partir de los dispositivos inalámbricos sin que haya ningún dato en memoria (configuración de fábrica), en el momento de la instalación.

01. Mantenga pulsado el botón de la interfaz IBW y suéltelo después de que se encienda el led con luz verde fija: esto significa que la interfaz ya está lista para buscar dispositivos inalámbricos.

Los pasos siguientes del procedimiento le permiten instalar un dispositivo inalámbrico. Por tanto, repita el procedimiento desde el punto 02 para cada dispositivo inalámbrico que desee instalar.

02. Introduzca las baterías en el dispositivo inalámbrico (en caso de que ya estén introducidas, pulse y suelte el botón “T” del dispositivo): la interfaz IBW emitirá un sonido breve (bip) para confirmar la detección y, en el dispositivo, empezarán a parpadear el led “A” con luz verde y los led “B” hasta que finalice el procedimiento.
03. Para conectar más dispositivos con la interfaz, repita las instrucciones a partir del punto 02 con cada uno de los dispositivos.
04. Por último, pulse y suelte el botón de la interfaz IBW para terminar el procedimiento.

5.2 - Conexión de dispositivos adicionales a una instalación existente

Este procedimiento permite añadir dispositivos inalámbricos adicionales a una red inalámbrica existente sin la necesidad de volver a analizar los dispositivos que ya están instalados.

01. **Advertencia** – Los nuevos dispositivos inalámbricos que se han de detectar no deben contener datos en la memoria. Si ya se ha utilizado algún dispositivo en otra instalación, es necesario restaurar la configuración de fábrica a través del procedimiento descrito en el apartado 5.5.
02. Mantenga pulsado el botón de la interfaz IBW y suéltelo después de que se encienda el led verde. Ahora el led empezará a parpadear rápidamente y la interfaz intentará comunicarse con cada uno de los dispositivos preexistentes en la instalación (en los dispositivos inalámbricos empezarán a parpadear el led “A” con luz verde y los led “B”). Al finalizar, el led de la interfaz se encenderá con luz verde fija, de forma que la interfaz entrará en el modo de “escucha de radio” para la detección de nuevos dispositivos.
¡Atención! – Si algún dispositivo no se comunica, la interfaz emitirá un sonido (bip) durante 10 segundos. Si mientras tanto no se pulsa ningún botón, al finalizar los 10 segundos, la interfaz interrumpirá la fase de detección, manteniendo la instalación en el estado anterior.
03. Introduzca las baterías en el dispositivo que se vaya a añadir (en caso de que ya estén introducidas, pulse y suelte el botón “T” del dispositivo): la interfaz IBW emitirá un sonido breve (bip) para confirmar la detección y, en el dispositivo, empezarán a parpadear el led “A” con luz verde y los led “B” hasta que finalice el procedimiento.
04. Para conectar más dispositivos con la interfaz, repita las instrucciones a partir del punto 03 con cada uno de los dispositivos.
05. Por último, pulse y suelte el botón de la interfaz IBW para terminar el procedimiento.

5.3 - Desconexión de uno o varios dispositivos de una instalación existente

Este procedimiento permite desconectar uno o varios dispositivos inalámbricos de una red inalámbrica existente, sin la necesidad de tener que volver a detectar o instalar desde cero toda la instalación.

01. Retire las baterías del dispositivo que pretende desconectar, o bien restaure su configuración de fábrica a través del procedimiento descrito en el apartado 5.5, de forma que el dispositivo ya no pueda comunicarse.
02. Mantenga pulsado el botón de la interfaz IBW y suéltelo después de que se encienda el led verde. Al soltarlo, el led de la interfaz empezará a parpadear rápidamente y ésta intentará comunicarse con todos los dispositivos presentes en la instalación (todos los leds de los dispositivos empezarán a parpadear). Al

finalizar esta fase, la interfaz emitirá un sonido (bip) durante 10 segundos para indicar la ausencia de respuesta del dispositivo o de los dispositivos que desea desconectar. Durante el tiempo que dure el sonido, pulse y suelte el botón de la interfaz para confirmar la desconexión del dispositivo o de los dispositivos: en la interfaz el led se encenderá con luz verde fija.

Si desea detectar más dispositivos nuevos: realice la programación según lo descrito en el procedimiento del apartado 5.2, desde el punto 03; de lo contrario, proceda con el paso siguiente.

03. Pulse y suelte el botón de la interfaz IBW para terminar el procedimiento: esta emite 2 sonidos (bip-bip) para confirmar la desconexión del dispositivo o de los dispositivos.

5.4 - Sustitución de la interfaz en una instalación existente

Este procedimiento permite sustituir la interfaz IBW en una instalación existente. En lugar de cancelar la conexión de todos los dispositivos inalámbricos existentes para proceder posteriormente a detectarlos uno a uno, el procedimiento permite a la nueva interfaz detectar, con una sola operación, todos los dispositivos existentes, sirviéndose de uno de ellos. **Advertencia** – Si la nueva interfaz proviene de otra instalación, antes de iniciar el procedimiento, hay que restaurar su configuración de fábrica utilizando el procedimiento descrito en el apartado 5.5.

01. Elija cualquier dispositivo inalámbrico de entre los existentes en la instalación y retírelo de la base para poder acceder al botón "T" del mismo. A continuación, aproxímelo a la nueva interfaz que desea instalar.

02. En la nueva interfaz: mantenga pulsado el botón durante 10 segundos aproximadamente y suéltelo después de que se encienda el led rojo.

03. En la nueva interfaz: pulse 2 veces el botón; después de 5 segundos, el led rojo empieza a parpadear indicando que se encuentra en fase de "espera".

04. En el dispositivo inalámbrico (el seleccionado en el punto 01): mantenga pulsado el botón "T" hasta que el led "A" se encienda en color rojo fijo. A continuación, pulse el botón "T" otras 2 veces. Después de 5 segundos, los leds rojo y verde empezarán a parpadear, indicando que se ha iniciado la transmisión de los datos relativos a la instalación anterior, en relación con la nueva interfaz IBW.

En la nueva interfaz: durante la recepción de los datos, empieza a parpadear también el led verde (el led rojo parpadea ahora desde el principio) y el dispositivo emite un sonido (bip).

05. Después de que transcurra el tiempo necesario para buscar todos los dispositivos inalámbricos existentes, en la nueva interfaz, el led se enciende en color verde fijo y, en los dispositivos, empezarán a parpadear los led "A" (con luz verde) y los leds "B". A continuación, la nueva interfaz emitirá un sonido (bip) para cada dispositivo detectado: por ejemplo, si en la instalación anterior existían 7 dispositivos inalámbricos, entonces la interfaz emitirá 7 "bips".

06. Por último, pulse y suelte el botón de la interfaz para terminar el procedimiento.

5.5 - Borrado de la memoria en la interfaz y en los dispositivos

Los siguientes procedimientos permiten borrar la memoria de los dispositivos, restaurando así la configuración de fábrica. Es útil aplicar este procedimiento cuando se desea volver a utilizar uno o varios dispositivos instalados anteriormente en un sistema a fin de crear una nueva instalación.

5.5.1 - Borrado de una interfaz IBW

01. Mantenga pulsado el botón de la interfaz IBW (durante 10 segundos aproximadamente) y suéltelo después de que se encienda el led rojo.

02. Pulse y suelte de nuevo el botón de la interfaz: después de 5 segundos, el led rojo empieza a parpadear indicando que se ha activado la fase de borrado. Cuando la luz deja de parpadear, la interfaz podrá utilizarse en una nueva instalación.

5.5.2 - Borrado de un dispositivo inalámbrico

01. Mantenga pulsado el botón "T" del dispositivo hasta que el led "A" se encienda en color rojo y de forma fija.

02. Pulse y suelte de nuevo el botón del dispositivo: después de 5 segundos, el led rojo "A" empezará a parpadear, indicando que se ha activado la fase de borrado. Cuando la luz deje de parpadear, el dispositivo podrá utilizarse en una nueva instalación.

Advertencias para el procedimiento de ensayo:

- **Tras cualquier fase de programación, es necesario realizar el ensayo de todo el sistema de conexión inalámbrica para comprobar el funcionamiento de los dispositivos existentes.**
- *Habida cuenta de que algunas fases del ensayo requieren comprobaciones de la puerta en movimiento y de que durante el ensayo el sistema de automatización podría no contar aún con la seguridad adecuada, se recomienda prestar la máxima atención a la hora de realizar estas verificaciones.*
- *Repita toda la secuencia del ensayo para cada dispositivo existente en la red de conexión inalámbrica.*

01. Asegúrese de que ha seguido todas las instrucciones descritas en el presente manual y, en particular, las advertencias de los capítulos 1 y 3.

02. Realice el ensayo de un sensor TCW1/2 conectado a una banda resistiva:

- a)** - desconecte la banda de los bornes del sensor y, con un ohmímetro, mida el valor de la resistencia de la banda y, además, asegúrese de que el valor esté comprendido entre 7.700 ohmios y 8.700 ohmios (valor nominal de 8.200 ohmios);
- b)** - presione la banda sensible para activarla y mida de nuevo el valor de la resistencia: asegúrese de que el valor sea inferior a 1.000 ohmios o superior a 16.500 ohmios;
- c)** - por último, vuelva a conectar la banda a los bornes del sensor TCW1/2.

03. Active la modalidad de verificación de funcionamiento del sistema:

- a)** - asegúrese de que todos los dispositivos del sistema reciben alimentación;
- b)** - en la interfaz IBW, pulse y suelte el botón: esta operación activa la modalidad de verificación de funcionamiento del sistema;
- c)** - coloque la hoja de la puerta en distintos puntos de su recorrido y observe en cada desplazamiento el led "B" de cada dispositivo para comprobar si la recepción por radio es suficiente o inferior (○ = acceso led; ● = led apagado):
 - ○ ○ = recepción por radio óptima
 - ○ ● = recepción por radio buena
 - ● ● = recepción por radio suficiente
 - ● ● = recepción por radio insuficiente

Si en uno o varios dispositivos inalámbricos se enciende un único led durante la mayor parte del tiempo de la maniobra, es aconsejable mejorar la comunicación; para ello, interactúe con cualquiera de los dispositivos de la siguiente manera: aproxime lo máximo posible el dispositivo inalámbrico a la antena de la interfaz IBW, o bien mueva la antena a una posición más alta del suelo y aléjela

de posibles elementos metálicos. A continuación, aplique el punto siguiente 06 hasta conseguir un buen rendimiento.

04. Compruebe la seguridad relativa a la banda sensible en función del nivel de presión PSPE: presione y suelte la banda sensible; a continuación, cerciórese de que el led "A" del sensor TCW1/2 pase del estado de "parpadeo" al estado de "encendido fijo". El color de la luz del led depende del nivel de carga de las baterías, tal como se explica en el apartado 7.2.2.

05. Compruebe la alineación de las fotocélulas PHW: consulte el manual de la central para realizar esta comprobación. El parpadeo de señalización emitido por el led "A" de las fotocélulas es el siguiente:

- **en la fotocélula TX:** parpadeo de un segundo con un ciclo de trabajo del 10%. El color de la luz del led depende del nivel de carga de las baterías, tal como se explica en el apartado 7.2.2.

- **en la fotocélula RX:** parpadeo de 100 ms de duración y una frecuencia proporcional a la alineación: desde parpadeo de 1 segundo (= *señal óptima*) hasta led encendido fijo (= *sin señal*). El color de la luz del led depende del nivel de carga de las baterías, tal como se explica en el apartado 7.2.2.

En esta fase, es posible controlar también el correcto funcionamiento de las fotocélulas, interrumpiendo el haz de alineación con un obstáculo y asegurándose de que el led esté encendido de forma fija.

06. Compruebe el funcionamiento del indicador luminoso LLW: si el dispositivo está configurado como luz de cortesía, la luz permanece encendida; por el contrario, si está configurado como indicador luminoso, la luz parpadea durante un breve período de tiempo, en este caso, a cada segundo.

07. Desactive la modalidad de verificación de funcionamiento del sistema: pulse y suelte el botón de la interfaz IBW.

08. Acople de forma mecánica la hoja al motor y accione una maniobra. Asegúrese de que el led verde de la interfaz IBW empieza a parpadear con regularidad y que la hoja se pueda abrir y cerrar correctamente, sin que se invierta el movimiento.

09. Accione alguna maniobra y compruebe cuando sigue:

- Interponga un obstáculo entre cada par de fotocélulas y asegúrese de que el sistema de automatización se comporte según lo previsto;
- preside cada banda sensible y asegúrese de que el sistema de automatización se comporte según lo previsto;
- si está instalado el indicador LLW y está configurado como indicador luminoso, asegúrese de que parpadea durante 0,3 segundos a cada segundo.

10. Si se han protegido las posibles situaciones peligrosas causadas por el movimiento de la hoja mediante la limitación de la fuerza de impacto (tipo C, según la norma EN 12445, en la parte relativa al dispositivo sensible a la presión PSPE), la verificación de la interfaz IBW y de los sensores TCW1/2 se realiza midiendo la fuerza con el instrumento específico para ello, a lo largo del recorrido de la puerta, en los puntos específicos previstos en el capítulo 5 de la norma EN 12445.

7 Diagnóstico del sistema

7.1 - Señales de la interfaz IBW

Si la interfaz IBW no ha detectado ningún dispositivo inalámbrico, el led parpadeará en rojo a cada segundo; de lo contrario, la luz parpadeará tal como se describen en los apartados 7.1.1 y 7.1.2.

7.1.1 - Señales con la central en modo de stand-by

Parpadeos	Significado
1 rojo:	La interfaz no está conectada con ningún dispositivo
1 verde, 1 verde:	La interfaz está conectada al menos a un dispositivo; los dispositivos conectados responden correctamente; los dispositivos conectados tienen la batería cargada
1 rojo, 1 verde:	Al menos uno de los dispositivos conectados tiene la batería descargada; los dispositivos conectados responden correctamente
1 verde, 1 rojo:	Los dispositivos conectados tienen la batería cargada; en la maniobra anterior, al menos uno de los dispositivos ha tenido problemas de comunicación
1 rojo, 1 rojo:	Al menos uno de los dispositivos conectados tiene la batería descargada; en la maniobra anterior, al menos uno de los dispositivos ha tenido problemas de comunicación

En todos los casos, el parpadeo se actualiza al final de cada maniobra, o bien cuando la central se enciende de nuevo, después de un período de stand-by. Cada vez que se actualiza el parpadeo, si se detecta una condición de alarma (batería descargada o mala señal de uno de los dispositivos), el indicador acústico emitirá un sonido del tipo “bip-biiiiip”.

7.1.2 - Señales durante maniobras y ensayos

El led verde parpadea constantemente y de forma intermitente; no obstante, cuando el dispositivo de seguridad (TCW1/2 o PHW) señala una situación de peligro, se enciende el led rojo.

7.2 - Señales de los dispositivos PHW, TCW1, TCW2 y LLW

7.2.1 - Señales con la central en modo de stand-by

Cuando la central está parada (sin maniobrar), si se extrae la batería del dispositivo en cuestión y se introduce de nuevo, el dispositivo emitirá las siguientes señales:

Parpadeos	Significado
1 rojo:	El transmisor no está conectado a ningún receptor
1 rojo, 1 rojo:	El dispositivo no está conectado a ninguna interfaz y falla el intento de conexión
1 verde, 1 rojo:	El dispositivo está conectado a una interfaz, pero la interfaz conectada no responde
1 verde, 1 verde:	El dispositivo está conectado a una interfaz y la interfaz conectada responde correctamente

7.2.2 - Señales durante una maniobra

• Significado del color del led “A”:

color verde = batería cargada; **color rojo** = batería descargada.

• Significado de la frecuencia de parpadeo del led “A”:

– **Fotocélulas PHW (elemento RX):** en el elemento RX del dispositivo, la frecuencia de parpadeo del led “A” depende de la calidad de la nivelación. En particular, mientras más débil es la señal óptica recibida por la fotocélula RX, más aumenta la frecuencia del parpadeo hasta que la luz pasa a permanecer encendida de forma fija (= *interrupción completa del haz*). Por el contrario, cuando la señal recibida es óptima, el parpadeo tiene una frecuencia de una vez por segundo, con un ciclo de trabajo del 10%.

– **Fotocélulas PHW (elemento TX) e indicador luminoso LLW:** en estos dispositivos, el led “A” parpadea cada segundo, con un ciclo de trabajo del 10%.

– **Sensor TCW1/2:** si no se presiona la banda sensible, el led “A” parpadea una vez por segundo, con un ciclo de trabajo del 10%; por el contrario, si se presiona la banda sensible, el led permanece encendido de forma fija.

• Significado del color del led “B”:

En los dispositivos dotados de célula fotovoltaica (TCW2, PHW y LLW), el led “B” (ubicado en la parte central) se enciende una vez cada 4 segundos cuando el dispositivo está cargando la batería, o bien si hay un nivel insuficiente de radiación solar.

7.3 - Procedimiento de verificación de funcionamiento de los dispositivos

Este procedimiento permite efectuar un diagnóstico de todos los dispositivos existentes en una red inalámbrica. Esta verificación puede realizarse en cualquier momento y permite comprobar el estado de la banda sensible, de las fotocélulas, de la luz intermitente y la calidad de la señal de radio. El procedimiento se activa de la siguiente forma:

01. Pulse y suelte el botón de la interfaz para entrar en el modo de verificación de

funcionamiento.

02. Realice las verificaciones indicadas en los siguientes puntos.

03. Al finalizar, pulse y suelte el botón de la interfaz IBW para salir del modo de verificación de funcionamiento, o bien espere 2 minutos.

• **Para comprobar el estado de eficacia de las bandas sensibles**

Presione la banda sensible y observe los leds de la interfaz IBW y del sensor TCW1/2; para ello, consulte la siguiente tabla:

Led de la interfaz IBW	Significado
parpadeo verde:	red activa
led rojo encendido:	intervención de un dispositivo de seguridad; p. ej., banda presionada o haz óptico interrumpido, o bien un dispositivo no responde

• **Led “A” del sensor TCW1/2**

Consulte el apartado 7.2.2.

• **Led “B” del sensor TCW1/2**

En esta caso, los leds “B” sirven para indicar la calidad de la señal de radio según la siguiente tabla:

Led B	Significado
apagado	Ninguna señal o señal muy mala
o	Señal baja
oo	Señal media
ooo	Señal alta

Información adicional

En este capítulo, se tratará la posibilidad de personalización, diagnóstico y búsqueda de averías en el producto.

A - Cómo proceder si... (resolución de problemas)

• **El sistema de automatización se para o invierte siempre la maniobra antes de terminarla.**

Compruebe la correcta recepción de radio del sensor TCW1/2; para ello, realice el procedimiento de verificación de funcionamiento descrito en el apartado 7.3.

Si la red BlueBUS es “mixta”, asegúrese de que no haya ninguna interferencia óptica entre las fotocélulas inalámbricas PHW y las cableadas; en este caso, resuelva el problema invirtiendo entre ellas los elementos TX y RX de las fotocélulas inalámbricas.

• **El sistema de automatización se para y no invierte la maniobra cuando interviene un dispositivo de seguridad.**

– Asegúrese de que la central haya detectado todos los dispositivos existentes en la interfaz IBW: si la central no los ha detectado, la interfaz IBW señala el estado con un sonido periódico (bip) emitido durante la maniobra o durante el procedimiento de verificación de funcionamiento. Por tanto, en la central, realice la búsqueda de los dispositivos, utilizando el procedimiento descrito en el manual de instrucciones de la central. También se puede realizar la misma operación con el programador Oview, para lo que se debe enviar el comando “Búsqueda BlueBUS”.

– Si el problema persiste, asegúrese de que los distintos dispositivos pertenecientes al mismo tipo (por ejemplo, todos los pares de fotocélulas) no tengan la misma configuración del puente.

• **La luz intermitente sólo funciona durante el procedimiento de verificación de funcionamiento.**

Compruebe la conexión correcta del dispositivo al borne “Flash” de la central y asegúrese de que esta salida esté configurada con la función “intermitente”. Asimismo, asegúrese de que los puentes están colocados correctamente en el dispositivo.

B - Mantenimiento

El mantenimiento de los dispositivos del sistema no precisa de disposiciones específicas. Es necesario realizar un control al menos cada 6 meses, en el que deberá verificar el estado del dispositivo (presencia de humedad, oxidación, etc.), limpiarlos

por fuera y probar de nuevo el sistema mediante el procedimiento descrito en el capítulo "Ensayo".

En los dispositivos dotados de célula fotovoltaica, compruebe con mayor frecuencia la limpieza de la superficie ocupada por la célula solar a fin de garantizar la máxima eficacia de la recarga. El funcionamiento previsto para los dispositivos del sistema es de al menos 10 años en condiciones normales. Tras dicho período, es conveniente intensificar la frecuencia de las operaciones de mantenimiento.

B.1 - Sustitución de las baterías

La batería recargable de los dispositivos PHW, LLW y TCW2 puede perder capacidad después de 4 o 5 años de funcionamiento, lo que puede activar señales frecuentes de batería descargada (el led "A" rojo intermitente indica que es necesario sustituirla).

Las baterías no recargables del sensor TCW1 deben sustituirse cuando se enciendan los primeros indicadores de batería descargada (led "A" de color rojo).

Para sustituir las baterías de los distintos dispositivos, consulte las **fig. 13, 14 y 15** y, además, tenga en cuenta las siguientes advertencias:

- antes de iniciar el procedimiento, asegúrese de que el sistema de automatización está parado;
- introduzca las nuevas baterías; para ello, preste atención a la polaridad;
- con las nuevas baterías introducidas, compruebe el funcionamiento del sistema como se describe en los pasos 05 y 06 del capítulo 6 - "Ensayo".

C - Eliminación

Este producto forma parte del sistema de automatización, y, por tanto, debe desecharse con él.

Al igual que con la instalación, incluso al finalizar la vida útil del producto en cuestión, las operaciones de eliminación deben realizarlas personas cualificadas a tal efecto.

Este producto está fabricado con varios tipos de material, de los que algunos se pueden reciclar y otros se deben desechar. Es preciso obtener información acerca de los sistemas de reciclaje o eliminación previstos en los reglamentos locales aplicables para esta categoría de producto. **¡Atención!** – Algunos componentes del producto pueden contener sustancias contaminantes o peligrosas que, de liberarse al medio ambiente, podrían causar daños graves al medio ambiente y a la salud humana.

Según indica el símbolo que aparece en el lateral, está prohibido desechar este producto en lugares habilitados para residuos domésticos. Por tanto, practique la "recogida selectiva" para su eliminación en función de los métodos estipulados en los reglamentos locales en vigor. También puede devolver el producto al proveedor cuando vaya a adquirir un producto nuevo equivalente. Los reglamentos locales pueden imponer fuertes sanciones en caso de que este producto se deseche de forma inadecuada.

¡Atención! – El producto funciona con baterías que podrían contener sustancias contaminantes y, por tanto, no deben desecharse junto con los residuos normales.



Tras haberlas retirado del producto, hay que desecharlas en virtud de los métodos estipulados en los reglamentos locales.

D - Características técnicas

- Con el fin de mejorar los productos, Nice S.p.a. se reserva el derecho de modificar las características técnicas en cualquier momento y sin previo aviso, pero garantizando en todo momento la funcionalidad y el uso previstos. • Todas las características técnicas se refieren a una temperatura de 20° C.

Interfaz IBW con "BlueBUS"

- **Tipo:** dispositivo instalado en la parte fija del sistema de automatización y conectado por cable a la central. Se utiliza para la recepción inalámbrica del estado de los sensores contenidos en las fotocélulas, en las bandas sensibles, etc., así como para la transmisión de comandos como, por ejemplo, el encendido de la luz de señalización en el modo intermitente.
- **Tecnología incorporada:** transmisión de los datos por radio a 868 MHz.
- **Alimentación:** a través de la conexión al borne "BlueBUS" de la central de mando del sistema de automatización.
- **Potencia absorbida:** 0,65 W
- **Alcance útil de radio:** 20 m (*)
- **Alcance máximo de radio (en condiciones óptimas):** 40 m
- **Categoría de resistencia a averías:** categoría 2, según la norma EN 13849-1, sólo si la central de mando en que se instala logra garantizar dicha categoría en todo el sistema de automatización.
- **Empleo en atmósfera ácida, salobre o con riesgo de explosión:** ninguno
- **Montaje:** en el interior de los sistemas de automatización y sólo dentro de los contenedores de protección adecuados.
- **Grado de protección del contenedor:** IP30
- **Temperatura de funcionamiento:** -20° C ÷ +70° C
- **Dimensiones (mm):** 18 x 33 x 40
- **Peso (g):** 25
- **Número máximo de ciclos de maniobra al día:** 15, con maniobras que duran como máximo 1 minuto.

Nota: (*) - El alcance de los dispositivos radiotransmisores puede verse influenciado por otros dispositivos que operan en las proximidades con la misma frecuencia (por ejemplo, auriculares, sistemas de alarma, etc.), provocando interferencias en el sistema. En el caso de que se produzcan interferencias fuertes, el fabricante no puede ofrecer ninguna garantía acerca del alcance real de los propios dispositivos de radio.

Las características técnicas de los dispositivos PHW, LLW, TCW1 y TCW2 se encuentran en sus respectivos manuales de instrucciones.

Declaración CE de conformidad

Declaraciones de conformidad con la Directiva 1999/5/CE

Nota: el contenido de la presente declaración se corresponde con cuanto se declara en el documento oficial presentado en la sede de Nice S.p.a. y, en particular, con la última revisión disponible antes de la impresión de este manual. El texto aquí contenido se ha adaptado por cuestiones editoriales. No obstante, se puede solicitar una copia de la declaración original a Nice S.p.a. (TV) I.

Número: **412/IBW**; Revisión; **0**. Idioma: **ES**

El abajo firmante, Luigi Paro, en calidad de Director General, conforme a las especificaciones que se detallan a continuación y bajo su propia responsabilidad, realiza la siguiente declaración: • **Nombre del fabricante:** NICE S.p.A. • **Dirección:** Via Pezza Alta n° 13, 31046 Rustignè di Oderzo (TV), Italia. • **Tipo de producto:** interfaz entre un sistema BlueBus y los dispositivos, con tecnología vía radio bidireccional Solemyo Air Net System. • **Modelo/Tipo:** IBW. • **Accesorios:** ninguno.

El producto cumple con los requisitos esenciales estipulados en el artículo 3 de la siguiente directiva comunitaria, conforme al uso para el que están previstos tales productos:

- Directiva 1999/5/CE DEL PARLAMENTO EUROPEO Y DEL CONSEJO, de 9 de marzo de 1999, sobre equipos radioeléctricos y equipos terminales de telecomunicación y reconocimiento mutuo de su conformidad, en virtud de las siguientes normas armonizadas: • Protección de la salud [art. 3, apartado 1, letra a)]: EN 50371:2002.
- Seguridad eléctrica [art. 3, apartado 1, letra a)]: EN 60950-1:2006+A11:2009.
- Compatibilidad electromagnética [art. 3, apartado 1, letra b)]: EN 301 489-1 V1.8.1:2008, EN 301 489-3 V1.4.1:2002. • Espectro radioeléctrico (art. 3, apartado 2): EN 300 220-2 V2.3.1:2010

En virtud de la Directiva 1999/5/CE (anexo V), el producto resulta ser de Clase 1 e incorpora la marca: **CE 0682**

Asimismo, el producto cumple los requisitos previstos en las siguientes directivas comunitarias

- DIRECTIVA 2004/108/CE DEL PARLAMENTO EUROPEO Y DEL CONSEJO, de 15 de diciembre de 2004, relativa a la aproximación de las legislaciones de los Estados miembros en materia de compatibilidad electromagnética y por la que se deroga la Directiva 89/336/CEE, según las siguientes normas armonizadas: EN 61000-6-2:2005 y EN 61000-6-3:2007

Asimismo, satisface, ya sea total o parcialmente según las partes aplicables, los requisitos estipulados en las siguientes normas: EN 13849-1:2008; EN 13849-2:2008; EN 13241-1:2004; EN 12453:2002; EN 12445:2002; EN 12978:2003 + A1:2009

Oderzo, 5 de julio de 2011

Ing. **Luigi Paro**
(Director General)



Hinweise zum Nachschlagen

Dieses Handbuch ist ein ausführlicher Leitfaden für die Realisierung von „Wireless“- Anschlüssen zwischen der Benutzerebenen IBW und allen Nice-Geräten, die mit der Funktechnologie Solemyo Air Net System ausgestattet sind (diese basiert auf der bidirektionalen Funkübertragung, ohne der Unterstützung durch Stromkabel). Mit Ausnahme der IBW sind folgende im Handbuch aufgeführten Vorrichtungen nicht in der Verpackung enthalten: Fotozellen PHW; Leuchtanzeiger LLW; Sensoren TCW1 und TCW2 (für empfindliche Schaltleisten).

1 Warnhinweise und allgemeine Sicherheitsvorkehrungen

Achtung! • Wichtige Sicherheitsanweisungen: Bewahren Sie diese Hinweise sorgfältig auf. • Für die Sicherheit der Personen ist es wichtig, diese Anweisungen zu berücksichtigen; vor Beginn der Arbeit dieses Handbuch aufmerksam durchlesen.

In Anbetracht der Gefahren, die während der Installation und bei der Verwendung der im Handbuch aufgeführten Vorrichtungen auftreten können, ist es notwendig, dass die Installation unter strikter Einhaltung der gesetzlichen Vorschriften und Regelungen vorgenommen wird, damit die größtmögliche Sicherheit gewährleistet ist.

Gemäß der neusten europäischen Gesetzgebung fällt die Automatisierung einer Tür oder eines Tors unter die „Maschinenrichtlinie“ 2006/42/CE (vormals 98/237/CE) und insbesondere unter die folgenden Vorschriften, die die Konformitätserklärung gemäß der Maschinenrichtlinie erlauben: EN 13241-1 (harmonisierte Norm); EN12445; EN12453; EN12635.

Weitere Informationen hinsichtlich der Risikoanalyse und der Erstellung der technischen Unterlagen finden Sie auf der Webseite www.niceforyou.com.

- Das vorliegende Handbuch ist ausschließlich für das technische Fachpersonal bestimmt, das für die Installationsarbeiten qualifiziert ist; keine andere der in dem Handbuch enthaltenen Informationen kann für den Endbenutzer von Interesse sein!
- Die Realisierung von Sicherheitssystemen für automatisierte Türen und Tore unterliegt den folgenden Vorschriften:

– EN 12453 Türen und Tore für Industrie und Handel und Garagentore. Sicherheit bei der Benutzung motorbetriebener Türen - *Anforderungen*.

– EN 12978 Türen und Tore für Industrie und Handel und Garagentore Sicherheitsvorrichtungen für motorbetriebene Türen und Tore - *Anforderungen und Prüfmethoden*.

Die Installation und der Anschluss der im Handbuch aufgeführten Vorrichtungen für die Realisierung eines „Sicherheitssystems“, welches nicht den genannten Vorschriften entspricht, ist deshalb als fahrlässige Handlung und absichtlichen Missbrauch zu betrachten!

- Der unsachgemäße Gebrauch der im Handbuch aufgeführten Vorrichtungen ist verboten! Der unsachgemäße Gebrauch kann Gefahren oder Schäden bzw. Verletzungen an Gegenständen und Personen verursachen.
- Nehmen Sie an keinem Teil der im Handbuch aufgeführten Vorrichtungen Änderungen vor, es sei denn, sie sind in diesem Handbuch vorgesehen; unzulässige Änderungen verursachen grundsätzlich Störungen. Nice lehnt jede Haftung für Schäden ab, die durch eigenmächtig vorgenommene Änderungen an den Produkten verursacht wurden.
- **Besondere Warnhinweise zur Eignung der im Handbuch aufgeführten Vorrichtungen im Hinblick auf die Richtlinie 2004/108/CE „Elektromagnetische Kompatibilität“ (vormals 89/336/EWG).** Diese Vorrichtungen wurden Tests unter den schwierigsten Einsatzbedingungen in den im Handbuch vorgesehenen Konfigurationen und in Kombinationen mit den von Nice hergestellten und im Katalog aufgeführten Artikeln hinsichtlich ihrer elektromagnetischen Kompatibilität unterzogen. Wenn folglich diese Vorrichtungen in anderen Konfigurationen oder zusammen mit nicht vorgesehenen Produkten verwendet werden, kann die elektromagnetische Verträglichkeit unter Umständen nicht garantiert werden. Die Verwendung der Vorrichtungen ist unter diesen Bedingungen deshalb solange unzulässig, bis der Installateur die Übereinstimmung mit den in der genannten Richtlinie vorgesehenen Anforderungen überprüft hat.
- Die im Handbuch aufgeführten Vorrichtungen gehören der Kategorie 2 in Bezug auf Schadensicherheit an (gemäß der Norm EN 13849-1). Um jedoch diese Kategorie beizubehalten, muss auch die Zentrale an die die Benutzerebene IBW angeschlossen wird derselben Kategorie 2 für die Schadensicherheit angehören (gemäß der Norm EN 13849-1).
- Überprüfen Sie, ob die Einsatzbedingungen bei der Verwendung der Vorrichtungen mit den Angaben übereinstimmen, die im Kapitel „Technische Merkmale“ der entsprechenden Anleitungen aufgeführt sind.
- Für die elektrischen Anschlüsse müssen die geeigneten Leiter verwendet werden, wie sie im Kapitel „Installation und Anschlüsse“ aufgeführt sind.

2 Beschreibung des Produktes und Verwendungszweck

IBW ist eine Benutzerebene mit der Funktechnologie **Solemyo Air Net System** von Nice und ist nur kompatibel mit den Vorrichtungen, die diese Technologie anwenden (**Abb. 1**). Sie nutzt das Kommunikationsprotokoll „BlueBUS“ von Nice und wird per Kabel an eine Zentrale Nice mit dem gleichen Protokoll angeschlossen, welches für die Kontrolle und Steuerung des Automatikbetriebs eines Tors, eines Garagentors oder ähnliches verwendet wird.

Bei den Netzen mit dem Protokoll „BlueBUS“, erlaubt die Benutzerebene IBW die Erweiterung des bereits verkabelten Netzes, oder die Realisierung eines neuen Netzes, bestehend aus Zubehörgeräten, die mit der Funktechnologie **Solemyo Air Net System** ausgestattet sind und mit Batterie oder Solarzelle gespeist werden, wobei die bidirektionale Funkübertragung genutzt wird, um diese an die Zentrale der Automation ohne Einsatz von Stromkabeln anzuschließen. Diese Zubehörgeräte (nicht in der Verpackung enthalten) sind die Fotozellen PHW, die Blinkleuchten/zusätzliche Lichter LLW und die Sensoren TCW1 / TCW2; sie werden an optische Schaltleisten angeschlossen. Die Benutzerebene IBW und diese Vorrichtungen bilden gemeinsam ein **Wireless-Kommunikationsnetz vom Typ „BlueBUS“**. Für weitere Einzelheiten bezüglich der Ausstattung und der Funktion eines verkabelten „BlueBUS-Netzes“ siehe Handbuch der Zentrale der Automation.

Die Benutzerebene IBW wird über ein Kabel an die Zentrale an der Klemme „BlueBUS“ angeschlossen und kontrolliert den Betrieb des kompletten Zubehörnetzes. Wenn man eine oder mehrere Vorrichtungen LLW als Blinker benutzt, muss die Benutzerebene auch an die Klemme „Flash“ angeschlossen werden. Zusammengefasst ist die Benutzerebene IBW eine Vorrichtung, die über Kabel gesandte Meldungen in über Funk übertragene Meldungen „übersetzt“ und umgekehrt erkennt das „BluesBUS-System“ die kabellos (wireless) angeschlossenen Vorrichtungen als ob sie über Kabel angeschlossen sind. Man kann auch ein gemischtes „BlueBUS-Netz“ realisieren, d.h. bestehend aus „traditionellen“ Vorrichtungen, die an ein **Bus-Kabel** angeschlossen (und über dieses Kabel an die Zentrale) sind und aus „wireless“-Vorrichtungen, die **über Funk** an die Benutzerebene BlueBUS (und über diese Benutzerebene an die Zentrale) angeschlossen sind.

Jede andere Verwendung, die von der beschriebenen abweicht, oder unter anderen Umweltbedingungen als den im vorliegenden Handbuch angegebenen, durchgeführt wird, ist als unsachgemäß zu betrachten und daher unzulässig!

3 Kontrollen vor der Installation und Einsatzbeschränkungen

Vor der Installation ist es notwendig, einige Aspekte der Funktionsweise zu bewerten, um die höchste Sicherheit und Funktionalität zu erhalten.

- Die Benutzerebene IBW ist für sich genommen noch kein **vollständiges** kabelloses Anschlusssystem, sondern nur ein Teil davon. Deshalb muss es mit mindestens einem der im Kapitel 2 aufgeführten kabellosen Vorrichtungen kombiniert werden.
- Überprüfen Sie, ob die Einsatzbedingungen bei der Verwendung der Vorrichtungen mit den Angaben übereinstimmen, die im Kapitel „Technische Merkmale“ der entsprechenden Anleitungen aufgeführt sind. Falls Sie Zweifel haben, verwenden Sie die Vorrichtungen nicht und bitten den Kundendienst Nice um weitere Erläuterungen.
- Versichern Sie sich, dass sich in der Nähe der Automation keine Vorrichtungen befinden, die konstante Funkstörungen erzeugen können. Diese könnten den Betrieb des Systems stören und seine Funktionsweise beeinträchtigen.

3.1 - Gebrauchseinschränkungen

- Die Benutzerebene IBW kann nur in einer Umgebung installiert werden, in der sie gegen die Einflüsse von Wasser, Feuchtigkeit und Staub geschützt ist.
- Die Benutzerebene IBW kann nur an eine Zentrale angeschlossen werden, die mit dem Kommunikationsprotokoll „BlueBUS“ von Nice kompatibel ist.
- Die Benutzerebene IBW und die an ihr angeschlossenen Vorrichtungen gewährleisten keine optimale Funktionsweise mit den Steuerzentralen, die eine Funkverbindung auf der Frequenzbreite 868 MHz vorsehen.
- Die Vorrichtungen LLW, PHW und TCW2 beinhalten eine Solarzelle für die Stromversorgung, die im Freien installiert werden muss, damit die Solarzelle das direkte Sonnenlicht während eines Großteils des Tages aufnehmen kann. **Achtung!** - Es wird empfohlen jede Vorrichtung an einer günstigen Position für die Sonnenbestrahlung einzubauen, d.h. entfernt von Gegenständen oder Situationen, die eine Verdunkelung der Solarzelle während des ganzen Tages auslösen können.
- Die Höchstanzahl von Zubehörvorrichtungen, die an eine Zentrale angeschlossen werden können, hängt von technischen Merkmalen der auf dieser Zentrale vorhandenen „BlueBus“ ab. In jedem Fall können nicht mehr als 20 Einheiten angeschlossen werden.
- Weitere Einsatzbeschränkungen können Sie den Angaben im Kapitel „Technische Merkmale“ entnehmen.

Damit die Benutzerebene IBW und die kabellosen Vorrichtungen miteinander über Funk kommunizieren können, ist es notwendig, die „Erfassung“-Phase der Vorrichtungen seitens der Benutzerebenen mithilfe eines der in diesem Kapitel 5 beschriebenen Verfahren durchzuführen.

Hinweise zur Programmierung:

- Für die Auffindung der im Handbuch aufgeführten und auf den Produkten befindlichen Leds und Tasten, siehe **Abb. 12**.
- Bei den Verfahren, die das Einsetzen (oder Entfernen) der Batterien in den verschiedenen Vorrichtungen verlangen, siehe **Abb. 13, 14, 15**.
- Alle Programmierungsphasen enden automatisch 2 Minuten nach dem Drücken der letzten Taste. Die bis zu diesem Moment vorgenommenen Änderungen werden trotzdem gespeichert.
- **Nach Abschluss der Programmierungsphasen könnte die Suche der Vorrichtungen in der Zentrale verlangt werden. Für diesen Vorgang siehe zugehöriges Verfahren im Handbuch der Zentrale. Der gleiche Vorgang kann auch mit dem Programmierer Oview und dem Befehl „Suche BlueBUS“ ausgeführt werden.**

5.1 - Realisierung einer neuen Anlage

Dieses Verfahren erlaubt die Realisierung einer neuen Anlage, bei der die kabellosen Vorrichtungen noch keine Daten gespeichert haben (werkseitige Einstellung).

- 01.** Halten Sie die Taste der Benutzerebenen IBW gedrückt und lassen Sie sie erst dann los, wenn die LED sich anschaltet und ein grünes Dauerlicht anzeigt: die Benutzerebene ist jetzt für die Erfassung kabelloser Vorrichtungen bereit.

Das Verfahren erlaubt die Installation einer kabellosen Vorrichtung. Das Verfahren ab Punkt 02 für jede kabellose Vorrichtung (die Sie installieren möchten) wiederholen.

- 02.** Setzen Sie die Batterien in die kabellose Vorrichtung ein (oder drücken Sie, wenn diese schon vorhanden sind, kurz die Taste „T“ der Vorrichtung): Die Benutzerebene IBW sendet einen kurzen Beep-Ton aus, um das Erfassen zu bestätigen, und an der Vorrichtung beginnen die grüne LED „A“ und die LEDs „B“ zu blinken, bis der Vorgang abgeschlossen ist.
- 03.** Um weitere Vorrichtungen mit der Benutzerebene zu verbinden, müssen für jede Vorrichtung die Anleitungen unter Punkt 0.2 wiederholt werden.
- 04.** Für den Abschluss des Vorgangs die Taste der Benutzerebenen drücken und wieder loslassen.

5.2 - Das Einfügen weitere Vorrichtungen in einer bereits vorhandenen Anlage

Dieses Verfahren erlaubt es, in einen bereits bestehenden kabellosem Netz weitere kabellose Vorrichtungen einzufügen, ohne nochmals dieselben Vorrichtungen erfassen zu müssen.

- 01. Hinweis** – Die neuen zu erfassenden kabellosen Vorrichtungen dürfen keine Daten gespeichert haben. Wenn eine Vorrichtung bereits in einer anderen Anlage verwendet wurde, müssen die Voreinstellungen ab Werk mithilfe des unter Paragraph 5.5. beschriebenen Verfahrens wiederhergestellt werden.
- 02.** Halten Sie die Taste der Benutzerebenen IBW gedrückt und lassen Sie sie erst dann los, wenn eine grüne LED aufleuchtet. Jetzt beginnt die LED schnell zu blinken, und die Benutzerebene versucht, mit allen schon in der Anlage vorhandenen Vorrichtungen zu kommunizieren (alle LEDs „A“ und „B“ der kabellosen Vorrichtungen beginnen zu blinken). Nach Abschluss des Vorgangs zeigt die LED der Benutzerebenen ein grünes Dauersignal und stellt die Benutzerebene auf „Funkempfang“ zur Erfassung neuer Vorrichtungen.

Achtung! – Wenn eine Vorrichtung nicht kommunizieren sollte, gibt die Benutzerebene für 10 Sekunden einen Beep-Ton ab. Falls in der Zwischenzeit keine weitere Taste gedrückt wird, unterbricht die Benutzerebene nach den 10 Sekunden die Erfassungsphase und hält die Anlage im vorherigen Status aufrecht.

- 03.** Setzen Sie die Batterien in die hinzuzufügende Vorrichtung ein (oder drücken Sie, wenn diese schon vorhanden sind, kurz die Taste „T“ der Vorrichtung): Die Benutzerebene IBW sendet einen kurzen Beep-Ton aus, um das Erfassen zu bestätigen, und an der Vorrichtung beginnen die grüne LED „A“ und die LEDs „B“ zu blinken, bis der Vorgang abgeschlossen ist.
- 04.** Um weitere Vorrichtungen mit der Benutzerebene zu verbinden, müssen für jede Vorrichtung die Anleitungen unter Punkt 0.3 wiederholt werden.
- 05.** Für den Abschluss des Vorgangs die Taste der Benutzerebenen IBW drücken und wieder loslassen.

5.3 - Einen oder mehrere Vorrichtungen aus einer vorhandenen Anlage entfernen

Diese Verfahren erlaubt das Entfernen einer oder mehrerer kabelloser Vorrichtungen aus einem bestehenden kabellosen Netz, ohne dabei die gesamte Anlage neu erfassen oder wieder installieren zu müssen.

- 01.** Entnehmen Sie die Batterien aus der Vorrichtung, die Sie entfernen möchten oder stellen Sie die werkseitigen Einstellungen mit Hilfe des im Paragraphen 5.5 beschriebenen Verfahren wieder her, so dass die Vorrichtung.
- 02.** Halten Sie die Taste der Benutzerebenen IBW gedrückt und lassen Sie sie erst dann los, wenn eine grüne LED aufleuchtet. Nach dem Loslassen beginnt die LED der Benutzerebenen schnell zu blinken, und Letztere versucht, mit allen

bereits in der Anlage vorhandenen Vorrichtungen zu kommunizieren (alle LEDs der Vorrichtungen beginnen zu blinken). Nach Beendigung dieser Phase sendet die Benutzerebene 10 Sekunden lang ein Signal (Beep-Ton) aus, um die fehlende Antwort der Vorrichtung/der Vorrichtungen) zu signalisieren die entfernt werden soll/sollen. Während der Signalton erklingt, drücken Sie kurz die Taste der Benutzerebenen, um das Entfernen der Vorrichtung/en zu bestätigen: Das grüne Dauerlicht der LED der Benutzerebenen leuchtet auf.

Wenn Sie weitere neue Vorrichtungen erfassen möchten: Fahren Sie mit der Programmierung fort, wie im Verfahren 5.2 ab Punkt 03 angegeben ist; anderenfalls gehen Sie zum folgenden Punkt über.

03. Beenden Sie den Vorgang, indem Sie kurz auf die Taste der Benutzerebenen IBW drücken: Diese gibt 2 akustische Signale (Beep-Beep) ab, um das erfolgte Entfernen der Vorrichtung/en zu bestätigen.

5.4 - Austausch der Benutzerebenen in einer vorhandenen Anlage

Dieses Verfahren erlaubt den Austausch der Benutzerebenen IBW in einer vorhandenen Anlage. Statt die Verknüpfungen aller vorhandenen kabellosen Vorrichtungen zu löschen und anschließend eine nach der anderen zu erfassen, kann die Benutzerebene dank eines einfachen Verfahrens alle vorhandenen Vorrichtungen erfassen, indem sie sich nur mit einer von diesen befasst. **Hinweis** – wenn die neue Benutzerebene von einer anderen Anlage stammt, müssen vor Beginn des Verfahrens die werkseitigen Einstellungen mit Hilfe des in Paragraph 5.5. beschriebenen Verfahrens rückgestellt werden.

01. Wählen Sie eine kabellose Vorrichtung unter den auf der Anlage existierenden Vorrichtungen und entfernen Sie diese aus ihrer Basis, um auf ihre Taste „T“ zugreifen zu können. Nähern Sie diese dann an die neue Benutzerebene, die Sie installieren möchten.

02. Auf der neuen Benutzerebenen: Halten Sie die Taste ungefähr 10 Sekunden lang gedrückt, und lassen Sie sie nach dem Aufleuchten der roten LED los.

03. Auf der neuen Benutzerebenen: Drücken Sie die Taste zweimal; nach 5 Sekunden beginnt die rote LED zu blinken und signalisiert so die „Wartephase“.

04. Auf der kabellosen Vorrichtung (die unter Punkt 01 gewählte): halten Sie die Taste „T“ gedrückt, bis sich das rote Dauerlicht der LED „A“ einschaltet. Dann noch zweimal die Taste „T“ drücken. Nach 5 Sekunden beginnen die rote und die grüne LED zu blinken und signalisieren dadurch, dass die Übertragung der Daten auf die neue Benutzerebene IBW.

Auf der neuen Benutzerebenen: Während des Empfangs der Daten beginnt die grüne Led aufzublinken (die rote Led blinkt weiterhin auf) und die Vorrichtung gibt einen Signalton (Beep) ab.

05. Sobald alle kabellosen Vorrichtungen auf der neuen Benutzerebenen gefunden sind, leuchtet die grüne LED kontinuierlich auf und die auf den Vorrichtungen

befindlichen Leds „A“ (mit grünem Licht) und „B“ leuchten auf. Die neue Benutzerebene gibt für jede erfasste Vorrichtung einen Signalton (Beep) ab: Wenn zum Beispiel auf der alten Benutzerebene 7 kabellose Vorrichtungen vorhanden waren, gibt die Benutzerebene 7 BeepTöne ab.

06. Beenden Sie das Verfahren, indem Sie die Taste der Benutzerebenen drücken und wieder loslassen.

5.5 - Löschen des Speichers der Benutzerebenen und der Vorrichtungen

Die folgenden Verfahren erlauben das Löschen der Vorrichtungen aus dem Speicher und die Wiederherstellung der Werkseinstellungen. Dies ist von Nutzen, wenn man eine oder mehrere der vorher in einer Anlage installierten Vorrichtungen wieder benutzen möchte, um eine neue Anlage zu realisieren.

5.5.1 - Löschen einer Benutzerebenen IBW

01. Halten Sie die Taste der Benutzerebenen IBW ungefähr 10 Sekunden lang gedrückt, und lassen Sie sie nach dem Aufleuchten der roten LED los.

02. Drücken Sie nochmals kurz die Taste der Benutzerebenen: Nach 5 Sekunden beginnt die rote LED zu blinken und signalisiert so, dass die Löschphase begonnen hat. Sobald das Blinken aufhört, kann die Benutzerebene in einer neuen Anlage verwendet werden.

5.5.2 - Löschen einer kabellosen Vorrichtung

01. Halten Sie die Taste „T“ der Vorrichtung so lange gedrückt, bis das rote Dauerlicht der LED „A“ aufleuchtet.

02. Drücken Sie nochmals kurz die Taste der Vorrichtung: Nach 5 Sekunden beginnt die rote LED „A“ zu blinken und signalisiert so, dass die Löschphase begonnen hat. Sobald das Blinken aufhört, kann die Benutzerebene in einer neuen Anlage verwendet werden.

6 Abnahme

Hinweise für das Abnahmeverfahren:

- **Nach jeder Programmierphase ist es empfehlenswert, eine Abnahmeprüfung des gesamten kabellosen Verbindungssystems durchzuführen, um die korrekte Funktionsweise der vorhandenen Vorrichtungen zu überprüfen.**
- *Da einige Phasen der Abnahme eine Überprüfung mit dem Türflügel in Bewegung vorsehen, und die Automatisierung während dieser Prüfung keine ausreichende*

Sicherheit gewährleisten könnte, empfehlen wir, diese Kontrollen mit höchster Vorsicht durchzuführen.

- Wiederholen Sie die komplette Abnahmeprüfung für jede einzelne Vorrichtung auf dem kabellosen Anschlussnetz.

01. Versichern Sie sich, dass alle in diesem Handbuch beschriebenen Anweisungen, insbesondere die Hinweise der Kapitel 1 und 3 beachtet wurden.

02. Abnahme eines Sensors TCW1/2, der an einer resistiven Schallleiste angeschlossen ist:

- a)** - entfernen Sie die Schallleiste aus den Klemmen des Sensors und messen Sie mit einem Ohmmeter den elektrischen Widerstand der Schallleiste, der zwischen einem Wert von 7700 und 8700 Ohm liegen sollte (Nennwert 8200 Ohm);
b) - drücken Sie die Schallleiste, um sie zu aktivieren und messen Sie nochmals den Wert ihres Widerstands: Stellen Sie sicher, dass der Wert kleiner als 1000 Ohm und höher 16500 Ohm ist;
c) - verbinden Sie die Schallleiste sodann wieder mit den Klemmen des Sensors TCW1/2.

03. Aktivierung des Modus „Überprüfung der Funktionsweise“ des Systems:

- a)** - stellen Sie sicher, dass alle Vorrichtungen des Systems gespeist sind.
b) - drücken Sie kurz die Taste der Benutzerebenen IBW: Dieser Vorgang aktiviert den Modus „Überprüfung der Funktionsweise“ des Systems.
c) - bewegen Sie den Torflügel an verschiedene Positionen seines Laufs und beobachten Sie jedes Mal die Leds „B“ einer jeden Vorrichtung, um zu überprüfen, ob der Funkempfang ausreichend ist (○ = Led eingeschaltet; ● = Led ausgeschaltet):
- ○ ○ = optimaler Funkempfang
 - ○ ● = guter Funkempfang
 - ● ● = ausreichender Funkempfang
 - ● ● = unzureichender Funkempfang

Wenn auf einer oder mehrere Vorrichtungen nur ein Led während der meisten Zeit des Bewegungsablaufs aufleuchtet, wird empfohlen die Kommunikation zu verbessern: Nähern Sie die kabellose Vorrichtung so weit wie möglich an die Antenne der Benutzerebenen IBW an oder befestigen Sie die Antenne in einem höheren Abstand vom Boden und/oder weiter entfernt von eventuellen Metallteilen. Führen Sie dann die im nachfolgenden Punkt 06 aufgeführte Kontrolle aus, bis Sie eine gute Leistung der Kommunikation erreichen.

04. Überprüfung der Sicherheit hinsichtlich der Schallleiste gemäß des Druckpegels PSPE: Drücken Sie kurz die Schallleiste; vergewissern Sie sich dann, dass die LED „A“ des Sensors TCW1/2 vom „Blinken“ zum „Dauerlicht“ übergeht. Die Farbe des Ledlichts hängt von der Batterieladung ab, wie im Paragraphen 7.2.2 erklärt wird.

05. Prüfung der Speisung der Fotozellen PHW: Führen Sie diese Prüfung gemäß des Handbuchs der Zentrale aus. Folgende Blinkanzeigen des Leds „A“

der Fotozellen werden abgegeben:

- auf der Fotozelle TX: Aufblinken für eine Sekunde mit dem Duty-Cycle von 10%. Die Farbe des Ledlichts hängt von der Batterieladung ab, wie im Paragraphen 7.2.2 erklärt wird;
- auf der Fotozelle RX: Blinkt für 100ms mit einer zur Ausrichtung proportionalen Frequenz auf: Aufblinken für 1 Sekunde (= *optimales Signal*) zum Daueraufleuchten des Leds (= *kein Signal*). Die Farbe des Ledlichts hängt von der Batterieladung ab, wie im Paragraphen 7.2.2 erklärt wird.

In dieser Phase kann auch die korrekte Funktion der Fotozellen überprüft werden, indem man das Ausrichtungsbündel mit einem Hindernis unterbricht und sicherstellt, dass die Led kontinuierlich aufleuchtet.

06. Prüfung der Funktion des Leuchtanzeigers LLW: Wenn die Vorrichtung als zusätzliches Licht eingestellt ist, bleibt die Lampe eingeschaltet; wenn sie dagegen als Blinkanzeiger eingestellt ist, blinkt die Lampe kurz im Sekundentakt auf.

07. Deaktivierung des Modus „Überprüfung der Funktionsweise“ des Systems: Drücken Sie kurz die Taste der Benutzerebenen IBW.

08. Haken Sie die Tür mechanisch am Motor ein und steuern Sie einen Bewegungsvorgang. Vergewissern Sie sich, dass die grüne LED der Benutzerebenen IBW ordnungsgemäß zu blinken beginnt und dass sich der Türflügel korrekt schließt und öffnet, ohne dass sich die Bewegung umkehrt.

09. Steuern Sie einige Bewegungsabläufe und führen Sie folgende Tests aus:

- unterbrechen Sie die Kommunikation zwischen jedem Fotozellenpaar mit einem Hindernis und stellen Sie sicher, dass die Automation entsprechend der gewünschten /vorgesehenen Vorgabe reagiert;
- drücken Sie jede Schallleiste und stellen Sie sicher, dass die Automation entsprechend der gewünschten/vorgesehenen Vorgabe reagiert;
- falls der Anzeiger LLW installiert und als Blinklicht eingestellt ist, stellen Sie sicher, dass dieses für 0,3 Sekunden im Sekundentakt aufleuchtet.

10. Wenn mögliche Gefahrensituationen, die von der Bewegung des Türflügels verursacht werden, durch die Schutzmaßnahme der Kraftbegrenzung (Typ C gemäß Richtlinie EN 12445 an den Teilen der Vorrichtung, die auf den Druck PSPE reagieren) gesichert werden, muss die Überprüfung der Benutzerebenen IBW und der Sensoren TCW1/2 vorgenommen werden, indem die Kraft entlang des Torhubs mithilfe eines entsprechenden Geräts an den jeweiligen Punkten gemäß Kapitel 5 der Richtlinie EN 12445 gemessen wird.

7 Diagnose des Systems

7.1 - Anzeigen der Benutzerebenen IBW

Falls die kabellose Benutzerebene IBW über keine erfasste kabellose Vorrichtung verfügt, blinkt das rote Led derselben im Sekundentakt auf; anderenfalls blinkt das Led gemäß der in den Paragraphen 7.1.1 und 7.1.2 beschriebenen Modalität auf.

7.1.1 - Anzeigen mit der Zentrale im Standby

Blinksignale	Bedeutung
1 rot:	Die Benutzerebene ist mit keiner Vorrichtung verknüpft
1 grün, 1 grün:	Die Benutzerebene ist mit mindestens einer Vorrichtung verknüpft; die verknüpften Vorrichtungen reagieren korrekt: die Batterie der verknüpften Vorrichtungen ist geladen
1 rot, 1 grün:	Die Batterie von mindestens einer der verknüpften Vorrichtungen ist leer; verknüpften Vorrichtungen reagieren korrekt
1 grün, 1 rot:	Die Batterie der verknüpften Vorrichtungen ist geladen; beim vorherigen Bewegungsablauf hatte mindestens eine der Vorrichtungen Kommunikationsprobleme
1 rot, 1 rot:	Die Batterie von mindestens einer der verknüpften Vorrichtungen ist leer; beim vorherigen Bewegungsablauf hatte mindestens eine der Vorrichtungen Kommunikationsprobleme

In jedem Fall werden nach jedem Bewegungsablauf oder nach erneutem Einschalten der Zentrale nach Standby die Blinksignale aktualisiert. Jedes Mal wenn die Blinksignale aktualisiert werden, falls eine Alarmsituation erfasst wird (leere Batterie oder schwaches Signal einer der Vorrichtungen) gibt der Buzzer ein Signal vom Typ „beep-beeeeep“ ab.

7.1.2 - Anzeigen während eines Bewegungsablaufs oder einer Abnahmeprüfung

Die grüne Led blinkt kontinuierlich auf; wenn eine Sicherheitsvorrichtung (TCW1/2 oder PHW) eine gefährliche Situation anzeigen, schaltet sich die rote Led ein.

7.2 - Anzeigen der Vorrichtungen PHW, TCW1, TCW2 und LLW

7.2.1 - Anzeigen mit der Zentrale im Standby

Wenn die Zentrale stillsteht (nicht im Bewegungsablauf) oder wenn die Batterie aus der Vorrichtung entnommen und erneut eingesetzt wird, führt die Vorrichtung folgen-

de Anzeigen aus:

Blinksignale	Bedeutung
1 rot:	Die Sender ist mit keinem Empfänger verknüpft
1 rot, 1 rot:	Die Vorrichtung ist mit keiner Benutzerebenen verknüpft und der Versuch einer Verknüpfung ist misslungen
1 grün, 1 rot:	Die Vorrichtung ist mit einer Benutzerebenen verknüpft aber die verknüpfte Benutzerebene antwortet nicht
1 grün, 1 grün:	Die Vorrichtung ist mit einer Benutzerebenen verknüpft und die verknüpfte Benutzerebene antwortet korrekt

7.2.2 - Anzeigen während eines Bewegungsablaufs

• Bedeutung der Farbe der Led „A“:

Grüne Farbe = Batterie geladen; **Rote Farbe** = Batterie leer.

• Bedeutung der Aufblinkfrequenz der Led „A“:

– **Fotozellen PHW (Element RX):** beim Element RX der Vorrichtung hängt die Blinkfrequenz der Led „A“ von der Qualität der Ausrichtung ab. Insbesondere, je schwächer das von der Fozelle RX empfangene optische Signal ist, desto mehr erhöht sich die Blinkfrequenz, bis sie zu einem Dauerlicht übergeht(= *vollständige Unterbrechung des Optikbündels*). Ist das empfangene Signal dagegen normal, blinkt die Led im Sekundentakt auf, mit 10% des Duty-Cycles.

– **Fotozellen PHW (Element TX) und Leuchtanzeiger LLW:** bei diesen Vorrichtungen blinkt die Led „A“ im Sekundentakt auf, mit 10% des Duty-Cycles.

– **Sensor TCW1/2:** Wenn die Schalteiste nicht gedrückt ist, blinkt die Led „A“ einmal pro Sekunde auf, mit 10% des Duty-Cycles; wird die Schalteiste dagegen gedrückt, leuchtet die Led konstant auf.

• Bedeutung der Farbe der Led „B“:

Bei den mit Solarzelle ausgestatteten Vorrichtungen (TCW2, PHW, LLW) schaltet sich die Led „B“ (die mittlere) einmal alle 4 Sekunden ein, wenn die Vorrichtung die Batterie auflädt, bzw. wenn eine ausreichende Sonnenbestrahlung vorliegt.

7.3 - Verfahren für die „Funktionsprüfung“ der Vorrichtungen

Dieses Verfahren erlaubt die Ausführung einer Diagnose von allen Vorrichtungen in einem kabellosen Netz. Sie kann zu jeder Zeit ausgeführt werden und erlaubt die Feststellung des Zustands der Schalteiste, der Fotozellen, des Blinklichtes und der Qualität des Funksignals. Das Verfahren wird wie folgt aktiviert:

01. Drücken Sie kurz auf die Taste der Benutzerebenen, um auf den Modus „Funktionsprüfung“ zuzugreifen.

02. Führen Sie die in den nachfolgenden Punkten aufgeführten Prüfungen aus.
 03. Nach Abschluss der Überprüfung drücken Sie kurz die Taste der Benutzerebenen IBW, um den Modus „Funktionsprüfung“ zu verlassen, oder warten Sie 2 Minuten.

• **Überprüfung der Funktionstüchtigkeit der Schalleisten**

Betätigen Sie die Schalleiste, beobachten Sie die LEDs der Benutzerebenen IBW und des Sensors TCW 1/2 und vergleichen Sie die Signale mit der nachfolgenden Tabelle:

Led Benutzerebene IBW	Bedeutung
grün aufblinkend:	Netz aktiv
einschalten der roten Led:	Eingriff einer Sicherheitsvorrichtung; z.B. Schalleiste gedrückt oder optisches Bündel unterbrochen oder eine Vorrichtung antwortet nicht

• **Led „A“ des Sensors TCW1/2**

Siehe Paragraph 7.2.2.

• **Led „B“ des Sensors TCW1/2**

In diesem Fall dienen die Leds „B“ dazu die Qualität des Funksignals gemäß der nachfolgenden Tabelle anzuzeigen:

Led B	Bedeutung
ausgeschaltet	Kein Signal oder sehr schwaches Signal
o	Schwaches Signal
oo	Mittelstarkes Signal
ooo	Starkes Signal

Weiterführende Hinweise

In diesem Kapitel werden die Möglichkeiten der individuellen Gestaltung des Produkts, die Diagnose und Fehlersuche behandelt.

A - Was tun, wenn... (Problemlösungen)

• **Die Automation stoppt oder kehrt die Bewegung um, bevor diese vollständig ausgeführt wurde.**

Überprüfen Sie den korrekten Funkempfang des Sensors TCW1/2, indem Sie das Verfahren „Funktionsprüfung“ durchführen (Paragraph 7.3).

Wenn es sich um ein „gemischtes“ Netz BlueBUS handelt, stellen Sie sicher, dass keine Störungen zwischen den kabellosen Fotozellen PHW und den verkabelten Fotozellen vorliegen; in diesem Fall lösen Sie das Problem durch Umkehrung der Elemente TX und RX der kabellosen Fotozellen.

• **Die Automation stoppt oder kehrt die Bewegung nicht um, wenn eine Sicherheitsvorrichtung eingreift.**

– Vergewissern Sie sich, dass die Zentrale alle auf der Benutzerebenen IBW vorhandenen Vorrichtungen erfasst hat: Falls die Zentrale die Vorrichtungen nicht erfasst hat, zeigt die Benutzerebene IBW den Zustand mit einem periodischen Beep-Ton an, der während des Bewegungsablaufs oder während des Verfahrens „Funktionsprüfung“ abgegeben wird. Daher in der Zentrale die Suche der Vorrichtungen gemäß des im Handbuch der Zentrale aufgeführten Verfahrens ausführen. Der gleiche Vorgang kann auch mit dem Programmierer Oview und dem Befehl „Suche BlueBUS“ ausgeführt werden.

– Falls das Problem bestehen bleibt, vergewissern Sie sich, dass die verschiedenen Vorrichtungen der gleichen Typologie (zum Beispiel alle Fotozellenpaare) die gleiche Konfiguration der Jumper haben.

• **Der Blinkanzeiger funktioniert nur während des Verfahrens der „Funktionsprüfung“.**

Überprüfen Sie den korrekten Anschluss der Vorrichtung an der Klemme „Flash“ der Zentrale und versichern Sie sich, dass dieser Ausgang mit der „Blinkerfunktion“ konfiguriert ist. Versichern Sie sich außerdem, dass die Jumper korrekt in der Vorrichtung positioniert sind.

B - Wartung

Die Wartung der Vorrichtungen des Systems bedarf keiner besonderen Maßnahmen. Mindestens halbjährlich sollte der Zustand der Vorrichtungen (Vorhandensein von Feuchtigkeit, Rost usw.) überprüft und die äußere Reinigung und neuerliche

Abnahme des Systems mithilfe der im Kapitel „Abnahmeprüfung“ beschriebenen Verfahren durchgeführt werden.

Bei den mit Solarzellen ausgestatteten Vorrichtungen überprüfen Sie regelmäßig, dass die von der Solarzelle besetzte Oberfläche sauber ist, um eine optimale Aufleisteleistung gewährleisten zu können. Die Vorrichtungen des Systems wurden so gestaltet, dass ihre Funktionstüchtigkeit unter normalen Bedingungen mindestens 10 Jahre erhalten bleibt. Nach diesem Zeitraum sollten die Wartungsmaßnahmen häufiger vorgenommen werden.

B.1 - Ersatz der Batterien

Die aufladbare Batterie der Vorrichtungen PHW, LLW und TCW2 kann nach 4-5 Jahren ihre Funktionstüchtigkeit verlieren und dadurch häufige Fehlermeldungen wegen leerer Batterie verursachen (die blinkende rote LED „A“ signalisiert, dass die Batterie ausgetauscht werden muss).

Die nicht aufladbaren Batterien des Sensors TCW1 müssen ausgetauscht werden, sobald sich die ersten Anzeichen dafür zeigen, dass sie sich entladen haben (LED „A“ in roter Farbe).

Für den Austausch der Batterien in den verschiedenen Vorrichtungen, siehe **Abb. 13, 14, 15** und folgende Hinweise:

- vergewissern Sie sich vor Beginn der Arbeit, dass die Automatik ausgeschaltet ist;
- fügen Sie die neuen Batterien ein und achten Sie auf die Polung;
- nach dem Einsetzen der neuen Batterien überprüfen Sie die Funktion des Systems wie es in den Schritten 05 und 06 des Kapitels 6 - „Abnahmeprüfung“ beschrieben wird.

C - Entsorgung

Dieses Produkt ist wesentlicher Bestandteil der Automation und muss zusammen mit derselben entsorgt werden.

Wie die Installation müssen auch die Entsorgungsmaßnahmen nach Ablauf der Lebensdauer dieses Produkts von qualifiziertem Fachpersonal ausgeführt werden.

Dieses Produkt besteht aus verschiedenen Materialien, einige sind wiederverwertbar, andere müssen entsorgt werden; informieren Sie sich über die Recycle- oder Entsorgungssysteme, die in Ihrer Gemeinde für diese Produktkategorie vorgesehen sind.

Achtung! - Einige Teile des Produkts können verunreinigende oder gefährliche Substanzen enthalten, die schädliche Auswirkungen auf die Umwelt und die menschliche Gesundheit haben könnten, wenn sie nicht umweltgerecht entsorgt werden.

Wie durch das Symbol seitlich angegeben, ist es verboten, dieses Produkt zum Haushaltsmüll zu geben. Praktizieren Sie daher „Mülltrennung“ bei der Entsorgung, wie sie von den geltenden Vorschriften in Ihrer Gemeinde vorgesehen ist, oder geben Sie das Produkt dem Verkäufer zurück, wenn Sie ein ähnliches neues Produkt kaufen. Die örtlich geltenden Vorschriften sehen schwere Strafen vor, wenn dieses Produkt widerrechtlich entsorgt wird.

Achtung! - Das Produkt wird mit Batterien betrieben, die umweltschädliche Substanzen enthalten könnten und deshalb nicht im Hausmüll entsorgt werden dürfen.



Nach der Entnahme der Batterien aus dem Produkt müssen diese gemäß der vor Ort gültigen Vorschriften entsorgt werden.

D - Technische Merkmale

- Nice S.p.a. behält sich das Recht vor, die technischen Merkmale jederzeit und ohne Vorankündigung zu verändern, um die Produkte zu verbessern, wobei jedoch ihre Funktionsweise und ursprüngliche Zweckbestimmung unverändert gewährleistet werden. • Alle technischen Merkmale beziehen sich auf eine Temperatur von 20° C.

Benutzerebene „BlueBUS“ IBW

- **Typologie:** Die Vorrichtung ist am fest eingebauten Teil der Automation befestigt und über Kabel an die Zentrale angeschlossen. Sie wird für den kabellosen Empfang der Daten über den Zustand der in den Fotozellen, Schallleisten, usw. enthaltenen Sensoren, sowie für die Übertragung der Steuerungen, wie zum Beispiel das Einschalten des Anzeigelichts im Blinker verwendet.
- **Angewandte Technologie:** Funkübertragung der Daten mit 868 MHz.
- **Stromversorgung:** über den Anschluss an die Klemme „BlueBUS“ der Steuerzentrale der Automation.
- **Leistungsaufnahme:** 0,65 W
- **Nützliche Reichweite des Funkempfangs:** 20 m (*)
- **Maximale Reichweite des Funkempfangs (unter optimalen Bedingungen):** 40 m
- **Kategorie der Fehlersicherheit:** Kategorie 2, gemäß der Richtlinie DIN EN ISO 13849-1 - unter der Voraussetzung, dass die Steuerungszentrale, an die die Vorrichtungen angeschlossen werden, diese Sicherheitsklasse für die gesamte Automatik garantieren kann.
- **Verwendung in säure- und salzhaltiger oder explosionsgefährdeter Umgebung:** nein
- **Montage:** im Innern der Automation oder ausschließlich im Innern geeigneter Schutzgehäuse.
- **Schutzgrad des Gehäuses:** IP30
- **Betriebstemperatur:** -20 ÷ +70° C
- **Abmessungen (mm):** 18 x 33 x 40
- **Gewicht (g):** 25
- **Höchstzahl der Bewegungszyklen pro Tag:** 15 mit Bewegungen, die höchstens 1 Minute dauern.

Hinweis: (*) - Die Reichweite der Transceiver-Vorrichtungen kann von anderen Geräten abhängig sein, die in der Nähe auf der gleichen Frequenz arbeiten (zum Beispiel Funkkopfhörer, Alarmsysteme usw.) und Störungen im System verursachen. Im Fall starker Störungen kann der Hersteller keinerlei Garantie für die effektive Reichweite der eigenen Funkgeräte bieten.

Die technischen Merkmale der Vorrichtungen PHW, LLW, TCW1, TCW2 sind in den jeweils zugehörigen Handbüchern enthalten.

CE-Konformitätserklärung

Erklärung in Übereinstimmung mit der Richtlinie 1999/5/EG

Anmerkung: Der Inhalt dieser Erklärung entspricht den Angaben im offiziellen Dokument, das im Sitz von Nice S.p.A. hinterlegt ist und der letzten verfügbaren Revision vor dem Druck dieser Anleitung. Dieser Text wurde aus redaktionellen Gründen angepasst. Die Kopie der Original-Erklärung kann bei der Firma Nice S.p.A. (TV) angefordert werden.

Nummer: **412/IBW**; Revision: **0**; Sprache: **DE**

Der unterzeichnende Luigi Paro, in seiner Funktion als Geschäftsführer, erklärt unter eigener Verantwortung, dass das Produkt: • **Name des Herstellers:** NICE S.p.A. • **Adresse:** Via Pezza Alta 13, 31046 Rustignè di Oderzo (TV) Italy; • **Art des Produkts:** Benutzerebene zwischen einem BlueBus-System und den Vorrichtungen, mit der bidirektionalen Funktechnologie Solemyo Air Net System • **Modell/ Typ:** IBW • **Zubehör:** nein,

entspricht den grundlegenden Anforderungen von Artikel 3 der nachstehenden europäischen Richtlinie in Bezug auf den Verwendungszweck, für den die Produkte bestimmt sind:

• Richtlinie 1999/5/EG DES EUROPÄISCHEN PARLAMENTS UND DES RATES VOM 9. März 1999 über Funkanlagen und Telekommunikationsendgeräte und die gegenseitige Anerkennung ihrer Konformität, gemäß den folgenden harmonisierten Normen:
• Gesundheitsschutz (Art. 3 (1) (a)): EN 50371:2002 • Elektrische Sicherheit (Art. 3 (1) (a)): EN 60950-1:2006+A11:2009 • Elektromagnetische Verträglichkeit (Art. 3(1)(b)): EN 301 489-1 V1.8.1:2008, EN 301 489-3 V1.4.1:2002 • Funkspektrum (Art. 3(2)): EN 300 220-2 V2.3.1:2010

In Übereinstimmung mit der Richtlinie 1999/5/EG (Anlage V) entspricht das Produkt der Klasse 1 und ist gekennzeichnet: **CE 0682**

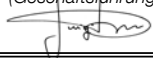
Darüber hinaus entspricht das Produkt den Anforderungen der folgenden europäischen Richtlinien:

• RICHTLINIE 2004/108/EG DES EUROPÄISCHEN PARLAMENTS UND DES RATES vom 15. Dezember 2004 zur Angleichung der Rechtsvorschriften der Mitgliedstaaten über die elektromagnetische Verträglichkeit und zur Aufhebung der Richtlinie 89/336/EWG, gemäß den folgenden harmonisierten Normen: EN 61000-6-2:2005, EN 61000-6-3:2007

Darüber hinaus entspricht es ganz oder teilweise, auf die anwendbaren Teile begrenzt, den Anforderungen der folgenden Normen: EN 13849-1:2008; EN 13849-2:2008; EN 13241-1:2004; EN 12453:2002; EN 12445:2002; EN12978:2003 + A1:2009

Oderzo, 05. Juli 2011

Herrn Ing. **Luigi Paro**
(Geschäftsführung)



Uwagi dotyczące korzystania z podręcznika

Niniejszy podręcznik jest kompleksowym przewodnikiem ułatwiającym wykonanie bezprzewodowych połączeń radiowych pomiędzy interfejsem IBW oraz wszystkimi urządzeniami Nice wyposażonymi w technologię radiową Solemyo Air Net System (bazuje ona na dwukierunkowej transmisji sygnałów radiowych, bez wykorzystania przewodów elektrycznych). Oprócz urządzenia IBW, w opakowaniu znajdują się następujące, wymienione w podręczniku urządzenia: fotokomórki PHW; sygnalizatory świetlne LLW; czujniki TCW1 i TCW2 (dla listew krawędziowych).

1 Instrukcje i ogólne zalecenia dotyczące bezpieczeństwa

Uwaga! • Ważne instrukcje i ostrzeżenia dotyczące bezpieczeństwa: instrukcje należy zachować. • Przestrzeganie podanych zaleceń ma istotne znaczenie dla bezpieczeństwa osób, dlatego przed rozpoczęciem pracy należy dokładnie zapoznać się z niniejszym podręcznikiem.

Ze względu na zagrożenia, jakie mogą wystąpić podczas instalowania i użytkowania wymienionych w podręczniku urządzeń, dla zwiększenia bezpieczeństwa instalacja powinna zostać wykonana zgodnie z obowiązującymi przepisami, normami i uregulowaniami prawnymi.

Według obowiązujących przepisów europejskich, wykonanie drzwi lub bramy automatycznej musi być zgodne z „Dyrektywą maszynową” 2006/42/WE (ex 98/37/WE), a w szczególności zgodnie z poniższymi normami, które umożliwiają zadeklarowanie urządzenia jako zgodnego z „Dyrektywą maszynową”: EN 13241-1 (norma zharmonizowana); EN12445; EN12453; EN12635.

Dodatkowe informacje dotyczące analizy ryzyka i wykonania dokumentacji technicznej dostępne są na stronie www.niceforyou.com.

- Niniejszy podręcznik przeznaczony jest jedynie dla personelu technicznego z odpowiednimi kwalifikacjami do instalowania urządzenia. Żadne informacje znajdujące się w niniejszym podręczniku nie są skierowane do użytkownika końcowego!
- Wykonanie systemów zabezpieczających do drzwi i bram automatycznych podle-

ga następującym normom:

– EN 12453 Drzwi i bramy przemysłowe, handlowe i garażowe. Bezpieczeństwo użytkowania bram z napędem - *Wymagania*.

– EN 12978 Drzwi i bramy przemysłowe, handlowe i garażowe. Urządzenia zabezpieczające do bram i drzwi z napędem – *Wymagania i sposoby wykonywania prób*.

W związku z powyższym, wykonanie i podłączenie urządzeń wymienionych w podręczniku w celu wykonania „systemu zabezpieczającego”, który nie spełnia wymagań przywołanych form, stanowi zaniechanie i celowe nadużycie!

- Użytkowanie urządzeń wymienionych w podręczniku niezgodne z przewidzianym w nim użyciem jest zabronione! Niewłaściwe użycie urządzenia może powodować zagrożenie oraz być przyczyną uszkodzenia przedmiotów lub zagrożenia dla zdrowia ludzi.
- Nie wolno modyfikować żadnej z części urządzeń wymienionych w podręczniku, jeżeli modyfikacje takie nie zostały w nim przewidziane. Nieupoważnione dokonywanie zmian może spowodować niewłaściwe funkcjonowanie urządzeń. Firma Nice nie ponosi odpowiedzialności za szkody wyrządzone przez samowolnie zmodyfikowane urządzenia.
- **Szczególne ostrzeżenia dotyczące możliwości użytkowania urządzeń wymienionych w podręczniku, zgodnie z dyrektywą kompatybilności elektromagnetycznej 2004/108/WE (ex 89/336/EWG).** Urządzenia te zostały poddane próbom kompatybilności elektromagnetycznej w najbardziej krytycznych warunkach użytkowania, w konfiguracjach przewidzianych w podręczniku i w połączeniu z artykułami znajdującymi się w katalogu produktów firmy Nice. Zatem, jeżeli urządzenia te wykorzystywane są w innych konfiguracjach lub z nieprzewidzianymi artykułami, kompatybilność elektromagnetyczna może nie być zachowana. W związku z tym, zabronione jest stosowanie urządzeń w takich warunkach do czasu, aż osoba odpowiedzialna za instalację nie potwierdzi ich zgodności z wymaganiami wspomnianej dyrektywy.
- Urządzenia wymienione w podręczniku zaliczane są do 2. kategorii odporności na usterki (zgodnie z normą EN 13849-1). Niemniej, w celu zapewnienia warunków przewidzianych dla tej kategorii niezbędne jest, aby również centrala, do której podłączony zostanie interfejs IBW zaliczana była do 2. kategorii odporności na usterki (zgodnie z normą EN 13849-1).
- Należy zadbać, aby warunki stosowania urządzenia były zgodne z danymi przedstawionymi w rozdziale „Dane techniczne” w poszczególnych instrukcjach obsługi.
- Do wykonania połączeń elektrycznych należy stosować odpowiednie przewody, jak wskazano w rozdziale „Instalacja i podłączenia”.

2 Opis produktu i przeznaczenie

IBW jest interfejsem, działającym w oparciu o technologię radiową **Solemyo Air Net System** firmy Nice, i jest kompatybilny wyłącznie z urządzeniami wykorzystującymi tę technologię (rys. 1). Interfejs wykorzystuje protokół komunikacyjny magistrali „BlueBUS” firmy Nice i łączy się za pomocą przewodu z centralą Nice wyposażoną w ten sam protokół, wykorzystywaną do kontroli i sterowania automatem bramy, drzwi garażowych i innych.

W sieciach wykorzystujących protokół magistrali „BlueBUS”, interfejs IBW umożliwia rozszerzenie już okablowanej sieci lub utworzenie nowej sieci, składającej się z akcesoriów wyposażonych w technologię radiową **Solemyo Air Net System**, zasilanych na baterię lub za pomocą ogniw fotowoltaicznego i wykorzystujących dwukierunkową komunikację radiową do połączenia automatu z centralą bez wykorzystania przewodów elektrycznych. Akcesoria te (nieznajdujące się w opakowaniu) to fotokomórki PHW, lampy ostrzegawcze/światło nocne LLW i czujniki TCW1/TCW2, które należy podłączyć do rezystancyjnych lub fotooptycznych listew krawędziowych bezpieczeństwa. Interfejs IBW wraz z tymi urządzeniami tworzy sieć komunikacji bezprzewodowej typu „BlueBUS”. Więcej informacji na temat wyposażenia i działania przewodowej sieci „BlueBUS” można znaleźć w instrukcji obsługi centrali automatu.

Interfejs IBW podłączany jest za pomocą przewodów do centrali i do zacisku magistrali „BlueBUS” oraz steruje działaniem całej sieci akcesoriów. Jeżeli jako lampa ostrzegawcza stosowane jest jedno lub więcej urządzeń LLW, interfejs należy podłączyć również do zacisku „Flash”. Mówiąc w skrócie, interfejs IBW jest urządzeniem, które „przekłada” komunikaty przenoszone przez przewód na komunikaty przenoszone drogą radiową i odwrotnie, sprawiając, że system „BlueBUS” rozpoznaje urządzenia podłączone bezprzewodowo w taki sposób, jakby były podłączone kablem. Możliwe jest utworzenie także sieci „BlueBUS” mieszanej, czyli składającej się z „tradycyjnych” urządzeń podłączonych fizycznie do przewodu magistrali (i podłączonych do centrali za pomocą tego przewodu) oraz z urządzeń bezprzewodowych, podłączonych drogą radiową do interfejsu BlueBUS (i połączonych z centralą za pomocą tego interfejsu).

Wszelkie inne użycie oraz wykorzystywanie produktu w warunkach otoczenia odmiennych, niż te przedstawione w niniejszym podręczniku, jest niezgodne z przeznaczeniem i zabronione!

3 Kontrole wstępne przez wykonaniem instalacji i ograniczenia w użytkowaniu

Przed przystąpieniem do wykonania instalacji systemu należy ocenić niektóre aspekty związane z zasadami jego działania, w celu zapewnienia maksymalnej funkcjonalności i bezpieczeństwa systemu.

- Interfejs IBW nie jest samodzielny ani **kompletnym** systemem komunikacji bezprzewodowej, lecz stanowi jego część. W związku z tym, aby jego użytkowanie było możliwe, należy przypisać go do przynajmniej jednego urządzenia bezprzewodowego, wymienionego w rozdziale 2.
- Upewnij się, że warunki, w jakich użytkowane są urządzenia są kompatybilne ze specyfikacją przedstawioną w ich instrukcjach obsługi (rozdział „Dane techniczne”). W razie wątpliwości nie użytkować produktu i zwrócić się o pomoc do serwisu technicznego firmy Nice.
- Upewnij się, że w pobliżu automatu nie znajdują się urządzenia generujące stałe zakłócenia radiowe. Mogą one zakłócić lub negatywnie wpłynąć na działanie systemu.

3.1 - Ograniczenia w użytkowaniu

- Interfejs IBW może być instalowany wyłącznie w środowisku zabezpieczonym przed działaniem wody, wilgotności i kurzu.
- Interfejs IBW można może być podłączany wyłącznie do centrali kompatybilnej z protokołem komunikacyjnym magistrali „BlueBUS” firmy Nice.
- Interfejs IBW i podłączone do niego urządzenia nie gwarantują idealnego działania z centralami sterującymi przewodowymi komunikację radiową w paśmie 868 MHz.
- W urządzenia LLW, PHW i TCW2 wbudowane ogniwo zapewniające zasilanie fotowoltaiczne, które zmusza do zamontowania go na wolnym powietrzu, gdzie przez większość dnia na ogniwo może padać bezpośrednie światło słoneczne. **Uwaga!** - Zaleca się, aby instalować każde urządzenie w pozycji jak najbardziej wystawione na działanie promieni słonecznych, czyli z dala od przedmiotów i warunków, które mogą doprowadzić do wyraźnego zaciemnienia ogniwa słonecznego przez większość dnia.
- Maksymalna ilość akcesoriów, jaką można podłączyć do centrali zależy od charakterystyki technicznej magistrali „BlueBUS”, znajdującej się w tejże centrali. W żadnym wypadku ilość ta nie może przekroczyć 20 jednostek.
- Dodatkowe ograniczenia w zastosowaniu urządzenia przedstawione zostały w rozdziale „Dane techniczne”.

4

Ogólna procedura instalowania, podłączania, programowania i testowania wszystkich urządzeń wchodzących w skład systemu

4.1 - Mocowanie i podłączanie wszystkich urządzeń

Aby przymocować i podłączyć wszystkie urządzenia wchodzące w skład systemu, należy wykonać wszystkie przedstawione poniżej czynności, zachowując bezwzględnie przedstawioną kolejność.

01. Ustalić pozycję wewnątrz automatu, w jakiej zostanie zainstalowane każde z przewidzianych urządzeń bezprzewodowych (posłużyć się rys. 2, instrukcją obsługi centrali i instrukcjami obsługi każdego z urządzeń). Ostrzeżenie – Dwie lub więcej par fotokomórek bezprzewodowych nie tworzą między sobą żadnego interfejsu optycznego, nawet jeśli ustawione są blisko siebie. Jeżeli w obrębie tego samego automatu znajdują się także fotokomórki z przewodami (tradycyjne), w celu uniknięcia ewentualnych zakłóceń optycznych pomiędzy tymi fotokomórkami a fotokomórkami bezprzewodowymi, zaleca się zainstalowanie po tej samej stronie elementów bezprzewodowych TX i elementów z przewodami RX, a po przeciwnej stronie pozostałych elementów RX i TX.
02. Zdemontować urządzenia, aby umożliwić dostęp do przycisku „T”, do zworek „J” oraz do baterii (posłużyć się rys. rys. 3, 4, 5).
03. Zapoznać się z tabelami przedstawionymi w instrukcji obsługi automatu, aby wybrać funkcję, jaka zostanie przypisana do każdego z przewidzianych urządzeń (w przypadku urządzenia LLW, odnieść się do jego odrębnej instrukcji obsługi). Następnie włożyć zworki do każdego z urządzeń, zgodnie z konfiguracją przedstawioną w tabelach.
04. Podłączyć każde przewidziane urządzenie TCW1/2 do przewodów odpowiadającej mu listwy bezpieczeństwa, jak pokazano na rys. 6.
05. Umożliwić sobie dostęp do centrali automatu (posłużyć się instrukcją obsługi centrali) i podłączyć interfejs IBW do centrali (zastosować się do informacji przedstawionych w punkcie 4.2.1 lub 4.2.2).
06. Przynależ wszystkie urządzenia bezprzewodowe do interfejsu IBW i zaprogramować każde z nich (zastosować się do informacji zamieszczonych w rozdziale 5, wykorzystując wskazówki przedstawione w punktach odnoszących się do danego działania).
07. Po zakończeniu programowania załączyć w centrali wyszukiwanie urządzeń, stosując w tym celu procedurę opisaną w instrukcji obsługi centrali. Tę samą czynność można wykonać również za pomocą urządzenia programującego Oview, wysyłając polecenie „Wyszukiwanie magistrali BlueBUS”.

08. Ustawić tymczasowo każde urządzenie bezprzewodowe w punkcie przewidzianym do jego instalacji. Ustawić antenę interfejsu IBW w miejscu zapewniającym dobry odbiór/przesył sygnałów. Na koniec sprawdzić działanie wszystkich urządzeń systemu, wykonując Próby odbiorczą całego systemu, opisaną w rozdziale 6.

09. Po zakończeniu próby odbiorczej dokładnie przymocować każde urządzenie bezprzewodowe w ustalonych wcześniej punktach (posłużyć się rys. rys. 7, 8, 9). Przymocować interfejs IBW w pobliżu centrali lub wewnątrz niej, zabezpieczając go odpowiednio (rys. 10). Na koniec przymocować antenę za pomocą znajdującej się na wyposażeniu dwustronnej taśmy klejącej, w pozycji ustalonej podczas próby odbiorczej.

4.2 - Podłączanie interfejsu IBW

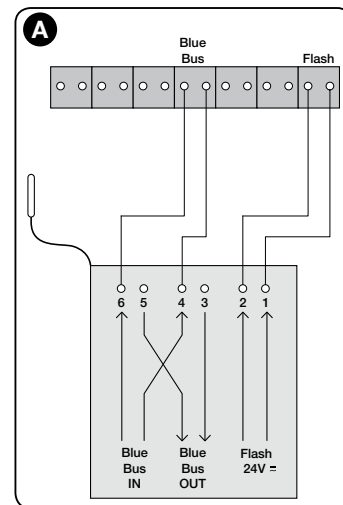
4.2.1 - Podłączenie IBW do ogólnej centrali Nice, z wykorzystaniem lampy ostrzegawczej LLW

Na rys. 11 przedstawiony jest przykład podłączenia interfejsu IBW do centrali ogólnej firmy Nice, za pomocą protokołu komunikacyjnego magistrali „BlueBUS”. Jeżeli nie przewiduje się wykorzystania lampy ostrzegawczej LLW, lub jeżeli przewiduje się jej wykorzystanie wyłącznie jako światła nocnego, można wykonać podłączenie do zacisku „Flash” centrali.

4.2.2 - Podłączenie interfejsu IBW do ogólnej centrali „Nice” i wyposażenie sieci mieszanej

Jak zostało już wyjaśnione w rozdziale 2, istnieje możliwość utworzenia mieszanej sieci BlueBUS, w której współpracują urządzenia bezprzewodowe oraz urządzenia wykorzystujące tradycyjne przewody. W przypadku tego typu sieci należy pamiętać, iż:

- instalacja urządzeń mieszanych nie powoduje zwiększenia maksymalnej liczby urządzeń, jakie można zainstalować w centrali (zapoznać się z instrukcją obsługi centrali);
- w fotokomórkach konfigurację zworek powinny różnić się pomiędzy poszczególnymi parami fotokomórek znajdujących się w układzie, bez rozróżnienia na komórki bezprzewodowe i fotokomórki przewodowe.



5 Programowanie

Aby interfejs IBW i urządzenia bezprzewodowe łączyły się ze sobą drogą radiową, konieczne jest wykonanie fazy „rozpoznania” urządzeń przez interfejs, stosując w tym celu procedurę opisaną w rozdziale 5.

Ostrzeżenia dotyczące programowania:

- Do identyfikacji na urządzeniach diod LED i przycisków wymienionych w instrukcji obsługi należy wykorzystać **rys. 12**.
- Podczas wykonywania procedur wymagających umieszczenia (lub wyjęcia) baterii w poszczególnych urządzeniach, należy posłużyć się **rys.13, 14, 15**.
- Wszystkie etapy programowania zostają automatycznie zakończone po 2 minutach od ostatniego naciśnięcia przycisku. Ewentualnie dokonane do tego momentu zmiany zostają zapisane.
- **Po zakończeniu wykonywania procedur programowania może okazać się niezbędne załączenie w centrali wyszukiwania urządzeń. W celu wykonania tej czynności należy zastosować procedurę opisaną w instrukcji obsługi centrali. Tę samą czynność można wykonać również za pomocą urządzenia programującego Oview, wysyłając polecenie „Wyszukiwanie magistrali BlueBUS”.**

5.1 - Tworzenie nowego układu

Procedura ta umożliwiła utworzenie nowego układu, czyli takiego, w którym w momencie instalacji urządzeń bezprzewodowych w pamięci nie znajdują się żadne dane (ustawione fabrycznie).

01. Wcisnąć i przytrzymać przycisk interfejsu IBW i zwolnić go, kiedy dioda LED zacznie świecić stałym zielonym światłem: w tym momencie interfejs jest gotowy do rozpoznania urządzeń bezprzewodowych.

Dalsza część procedury umożliwiła zainstalowanie urządzenia bezprzewodowego. Następnie należy powtórzyć procedurę od punktu 02 dla każdego urządzenia bezprzewodowego, które ma zostać zainstalowane w układzie.

02. Włożyć baterie do urządzenia bezprzewodowego (lub, jeżeli baterie znajdują się już w urządzeniu, wcisnąć i zwolnić przycisk „T” na urządzeniu): Interfejs IBW wyda krótki sygnał dźwiękowy (bip), potwierdzając rozpoznanie urządzenia, a w samym urządzeniu do czasu zakończenia procedury zaczną migać zielonym światłem diody LED „A” i „B”.

03. Aby przypisać do interfejsu kolejne urządzenia, należy powtórzyć dla każdego z nich wszystkie instrukcje, poczynając od kroku 02.

04. Na koniec wcisnąć i zwolnić przycisk interfejsu IBW, aby zakończyć procedurę.

5.2 - Dodawanie urządzeń do istniejącego układu

Procedura ta umożliwiła dodanie do istniejącej sieci bezprzewodowej dodatkowych urządzeń bezprzewodowych, bez konieczności ponownego rozpoznawania już zainstalowanych urządzeń.

01. Ostrzeżenie – Nowe urządzenia bezprzewodowe, które wymagają rozpoznania, nie mogą zawierać żadnych danych w pamięci. Jeżeli któreś urządzenie zostało już wykorzystane w innym układzie, konieczne jest zresetowanie ustawień fabrycznych, wykonując w tym celu procedurę opisaną w punkcie 5.5.

02. Wcisnąć i przytrzymać przycisk interfejsu IBW i zwolnić go, kiedy zaświeci się zielona dioda LED. W tym momencie dioda zacznie szybko migać, a interfejs wykona próbę połączenia się z każdym z wcześniej zainstalowanych w układzie urządzeń (w urządzeniach bezprzewodowych zaczną migać na zielono diody LED „A” i „B”). Na zakończenie, dioda LED interfejsu zacznie świecić stałym zielonym światłem, przedstawiając interfejs na tryb „nasłuch radiowy” w celu rozpoznania nowych urządzeń.

Uwaga! – Jeżeli któreś urządzenie nie połączy się, interfejs wyda 10-sekundowy sygnał dźwiękowy (bip). Jeżeli w międzyczasie nie zostanie wcisnięty żaden inny przycisk, po upływie 10 sekund interfejs przerwie fazę rozpoznawania, przełączając układ na poprzedni stan.

03. Włożyć baterie do dodawanego urządzenia (lub, jeżeli baterie znajdują się już w urządzeniu, wcisnąć i zwolnić przycisk „T” na urządzeniu): Interfejs IBW wyda krótki sygnał dźwiękowy (bip), potwierdzając rozpoznanie urządzenia, a w samym urządzeniu do czasu zakończenia procedury zaczną migać zielonym światłem diody LED „A” i „B”.

04. Aby przypisać do interfejsu kolejne urządzenia, należy powtórzyć dla każdego z nich wszystkie instrukcje, poczynając od kroku 03.

05. Na koniec wcisnąć i zwolnić przycisk interfejsu IBW, aby zakończyć procedurę.

5.3 - Usuwanie jednego lub więcej urządzeń z istniejącego układu

Procedura ta umożliwiła usunięcie z istniejącej sieci bezprzewodowej jednego lub więcej urządzeń bezprzewodowych, bez konieczności ponownego rozpoznawania i/ lub ponownej instalacji całego układu.

01. Wyjąć baterie z urządzenia, które ma zostać usunięte, lub zresetować jego ustawienia fabryczne, wykonując w tym celu procedurę opisaną w punkcie 5.5. Spowoduje to, że urządzenie nie będzie się już mogło połączyć z interfejsem.

02. Wcisnąć i przytrzymać przycisk interfejsu IBW i zwolnić go, kiedy zaświeci się zielona dioda LED. Po zwolnieniu przycisku dioda LED interfejsu zacznie szybko migać, a sam interfejs wykona próbę połączenia się z każdym z wcześniej zainstalowanych w układzie urządzeń (wszystkie diody LED urządzeń zaczną migać).

Po zakończeniu tej fazy interfejs wyda krótki 10-sekundowy sygnał dźwiękowy (bip), aby zakomunikować brak odpowiedzi ze strony urządzenia/urządzeń, które mają zostać usunięte. W trakcie trwania sygnału dźwiękowego wcisnąć i zwolnić przycisk interfejsu, aby zatwierdzić usunięcie urządzenia/urządzeń: dioda LED na interfejsie zacznie świecić stałym zielonym światłem.

Abym rozpoznać nowo dodane urządzenia: wykonać programowanie wskazane w procedurze opisanej w punkcie 5.2, poczynając od kroku 03. W przeciwnym razie przejść do kolejnego punktu.

03. Zakończyć procedurę wciskając i zwalniając przycisk na interfejsie IBW: interfejs wyda 2 sygnały dźwiękowe (bip-bip), aby potwierdzić usunięcie urządzenia/urządzeń.

5.4 - Wymiana interfejsu w istniejącym układzie

Procedura ta umożliwi wymianę interfejsu IBW w istniejącym układzie. Zamiast kasować połączenie we wszystkich występujących w układzie urządzeniach bezprzewodowych, a następnie rozpoznawać je pojedynczo, procedura ta umożliwi proste wykonanie rozpoznania wszystkich istniejących urządzeń przez nowy interfejs obsługujący się jednym z tych urządzeń. **Ostrzeżenie** – jeżeli nowy interfejs pochodzi z innego układu, przed rozpoczęciem procedury należy zresetować jego ustawienia fabryczne, wykonując w tym celu procedurę opisaną w punkcie 5.5.

01. Wybrać urządzenie bezprzewodowe spośród urządzeń znajdujących się w układzie i wyjąć je z podstawy, aby umożliwić sobie dostęp do jego przycisku „T”. Następnie przysunąć je do nowo instalowanego interfejsu.

02. Na nowym interfejsie: wcisnąć i przytrzymać przycisk przez około 10 sekund, a następnie zwolnić go po zapaleniu się na czerwono diody LED.

03. Na nowym interfejsie: wcisnąć 2 razy przycisk. Po 5 sekundach czerwona dioda LED zacznie migać, wskazując że interfejs znajduje się w fazie „oczekiwania”.

04. Na urządzeniu bezprzewodowym (wybranim w punkcie 01): wcisnąć i przytrzymać przycisk „T” dopóki dioda LED „A” nie zacznie świecić stałym czerwonym światłem. Następnie wcisnąć kolejne 2 razy przycisk „T”. Po 5 sekundach czerwona i zielona dioda LED zaczną migać, wskazując, że rozpoczęło się przesyłanie do nowego interfejsu IBW danych dotyczących starego układu.

Na nowym interfejsie: podczas odbierania danych zaczyna migać także zielona dioda LED (czerwona dioda migająca już wcześniej), urządzenie wydaje sygnał dźwiękowy (bip).

05. Po upływie czasu niezbędnego do wyszukania wszystkich obecnych urządzeń bezprzewodowych, dioda LED w nowym interfejsie zaczyna świecić stałym światłem, a w urządzeniach zaczną migać diody „A” (na zielono) i „B”. Zatem nowy interfejs wyda sygnał dźwiękowy (bip) przy każdym rozpoznanim urządzeniu: na przykład, jeżeli w starym układzie znajdowało się 7 urządzeń bezprzewodowych, interfejs wyda 7 sygnałów dźwiękowych.

06. Zakończyć procedurę wciskając i zwalniając przycisk na interfejsie.

5.5 - Kasowanie pamięci interfejsu i urządzeń

Poniższe procedury umożliwiają skasowanie pamięci urządzeń poprzez zresetowanie ustawień fabrycznych. Procedury te przydatne są, kiedy konieczne jest ponowne użycie jednego lub więcej urządzeń zainstalowanych wcześniej w układzie, w celu utworzenia nowego układu.

5.5.1 - Kasowanie interfejsu IBW

01. Wcisnąć i przytrzymać przycisk interfejsu IBW (przez około 10 sekund), a następnie zwolnić go po zapaleniu się na czerwono diody LED.

02. Wcisnąć ponownie i zwolnić przycisk interfejsu: po 5 sekundach czerwona dioda LED zacznie migać, wskazując że została aktywowana faza kasowania. Kiedy miganie ustanie, interfejs będzie mógł zostać użyty w nowym układzie.

5.5.2 - Kasowanie urządzenia bezprzewodowego

01. Wcisnąć i przytrzymać przycisk „T” urządzenia, dopóki dioda LED „A” nie zacznie świecić stałym czerwonym światłem.

02. Wcisnąć ponownie i zwolnić przycisk urządzenia: po 5 sekundach dioda LED „A” zacznie migać, wskazując że została aktywowana faza kasowania. Kiedy miganie ustanie, urządzenie będzie mogło zostać użyte w nowym układzie.

Ostrzeżenia dotyczące procedury wykonywania prób odbiorczych:

- **Po zakończeniu dowolnego programowania konieczne jest wykonanie próby odbiorczej całego systemu łączności bezprzewodowej, w celu sprawdzenia działania znajdujących się w nim urządzeń.**
- *Jako że niektóre fazy prób odbiorczych przewidują wykonanie kontroli skrzydła bramy podczas ruchu, podczas próby odbiorczej bezpieczeństwo automatu może nie być maksymalne. Zaleca się zatem najwyższą ostrożność podczas wykonywania tych czynności.*
- *Należy powtórzyć całą sekwencję próby odbiorczej dla każdego urządzenia znajdującego się w sieci łączności bezprzewodowej.*

01. Upewnić się, że zostały wykonane wszystkie zalecenia opisane w niniejszym podręczniku, a w szczególności zalecenia dotyczące bezpieczeństwa, zawarte w rozdziałach 1 i 3.

02. Wykonać próbę odbiorczą czujnika TCW1/2, podłączonego do rezystancyjnej listwy krawędziowej:

- a) - odłączyć listwę krawędziową od zacisków czujnika i zmierzyć za pomocą omomierza wartość rezystancji listwy krawędziowej, upewniając się, że wartość ta zawiera się między 7700 om a 8700 om (wartość znamionowa to 8200 om);
- b) - nacisnąć listwę krawędziową, aby aktywować ją i zmierzyć ponownie wartość rezystancji: upewnić się, że wartość ta jest mniejsza niż 1000 om lub większa niż 16500 om;
- c) - na koniec podłączyć ponownie listwę krawędziową do zacisków czujnika TCW1/2.

03. Aktywować tryb „sprawdzenie działania” systemu:

- a) - upewnić się, że wszystkie urządzenia w systemie są zasilane;
- b) - wcisnąć i zwolnić przycisk na interfejsie IBW: czynność ta powoduje aktywowanie trybu „sprawdzenie działania” systemu;
- c) - przesunąć skrzydło bramy w różne punkty jego suwu i za każdym razem obserwować diodę LED „B” **każdego urządzenia**, aby sprawdzić, czy odbiór sygnałów radiowych jest wystarczający (○ = dioda zapalona; ● = dioda wyłączona):
 - ○ ○ = optymalny odbiór sygnałów radiowych
 - ○ ● = dobry odbiór sygnałów radiowych
 - ● ● = zadowalający odbiór sygnałów radiowych
 - ● ● = niedostateczny odbiór sygnałów radiowych

Jeżeli w jednym lub więcej urządzeniach bezprzewodowych przez większość czasu zapalona jest tylko jedna dioda LED, zaleca się ulepszenie łączności, wykonując na każdym z urządzeń następujące czynności: przysunąć jak najbliżej urządzenie

bezprzewodowe do anteny interfejsu IBW lub przesunąć antenę do punktu znajdującego się jak najwyżej od ziemi lub/i też odsunąć ją od metalowych elementów. Następnie wykonać opisany poniżej krok 06, aż do uzyskania dobrej łączności.

04. Sprawdzić działanie systemu bezpieczeństwa opartego na listwie krawędziowej, na podstawie poziomu nacisku PSPE: nacisnąć i zwolnić listwę krawędziową, a następnie upewnić się, że migająca początkowo dioda LED „A” czujnika TCW1/2 zaczyna świecić światłem stałym. Kolor światła diody zależy od poziomu naładowania baterii, jak zostało to wyjaśnione w punkcie 7.2.2.

05. Sprawdzić wyosiowienie fotokomórek PHW: wykonać tę kontrolę posługując się instrukcją obsługi centrali. Miganie sygnalizacyjne diody LED „A” fotokomórek ma następujące znaczenie:

- **na fotokomórcie TX:** miganie jednosekundowe w 10% cyklu roboczym. Kolor światła diody zależy od poziomu naładowania baterii, jak zostało to wyjaśnione w punkcie 7.2.2.
- **na fotokomórcie RX:** miganie trwające 100 ms o częstotliwości proporcjonalnej do wyosiowienia: od jednosekundowego migania (= *optymalny sygnał*) do świecącej stale diody LED (= *brak sygnału*). Kolor światła diody zależy od poziomu naładowania baterii, jak zostało to wyjaśnione w punkcie 7.2.2. W tej fazie można sprawdzić także działanie fotokomórek, przerywając wiązkę zasilającą za pomocą jakiejś przeszkody i upewniając się, że dioda LED świeci stałym światłem.

06. Sprawdzić działanie sygnalizatora świetlnego LLW: jeżeli urządzenie ustawione jest jako światło nocne, żarówka pozostaje włączona. Jeżeli natomiast ustawione jest jako lampa ostrzegawcza, żarówka wykonuje co sekundę krótkotrwałe mignięcia.

07. Dezaktywować tryb „sprawdzenie działania” systemu: wcisnąć i zwolnić przycisk na interfejsie IBW.

08. Przyczepić mechanicznie skrzydło bramy do silnika i wydać polecenie wykonania manewru. Upewnić się, że zielona dioda LED interfejsu IBW zacznie regularnie migać, oraz że otwarcie i zamknięcie skrzydła bramy odbywa się prawidłowo, bez odwracania kierunku ruchu.

09. Wykonać kilka manewrów i poniższe kontrole:

- ustawić przeszkodę pomiędzy każdą z par fotokomórek i upewnić się, że automat zachowuje się w żądany/przewidziany sposób;
- nacisnąć każdą z listw krawędziowych i upewnić się, że automat zachowuje się w żądany/przewidziany sposób;
- jeżeli zainstalowany jest sygnalizator LLW, i jeżeli ustawiony jest on jako lampa ostrzegawcza, sprawdzić, czy wykonuje on co sekundę mignięcia trwające 0,3 sekundy.

10. Jeżeli potencjalne zagrożenie wynikające z ruchu skrzydła bramy zostało wyeliminowane poprzez ograniczenie siły uderzenia (typ C, zgodnie z normą EN 12445, część dotycząca urządzenia reagującego na nacisk PSPE), kontrolę interfejsu IBW oraz czujników TCW1/2 należy wykonać mierząc się za pomocą specjalnego przyrządu wzdłuż suwu bramy i w konkretnych punktach, wymienionych w rozdziale 5 normy EN 12445

7 Diagnostyka systemu

7.1 - Sygnalizacja interfejsu IBW

Jeżeli interfejs IBW nie wykonał procedury rozpoznania żadnego urządzenia bezprzewodowego, co sekundę będzie wykonywał mignięcie czerwonym światłem. W przeciwnym razie będzie migał tak, jak zostało to opisane w punktach 7.1.1 i 7.1.2.

7.1.1 - Sygnalizacja z centralą w trybie stand-by

Miganie	Znaczenie
1 czerwone:	Do interfejsu nie jest przypisane żadne urządzenie
1 zielone, 1 zielone:	Do interfejsu przypisane jest przynajmniej jedno urządzenie; przypisane urządzenia odpowiadają prawidłowo; baterie przypisanych urządzeń są naładowane
1 czerwone, 1 zielone:	Bateria przynajmniej jednego przypisanego urządzenia jest rozładowana; przypisane urządzenia odpowiadają prawidłowo
1 zielone, 1 czerwone:	Baterie przypisanych urządzeń są naładowane; podczas poprzedniego manewru przynajmniej jedno z urządzeń miało problemy z łącznością
1 czerwone, 1 czerwone:	Bateria przynajmniej jednego przypisanego urządzenia jest rozładowana; podczas poprzedniego manewru przynajmniej jedno z urządzeń miało problemy z łącznością

We wszystkich przypadkach miganie aktualizowane jest po zakończeniu każdego manewru, kiedy centrala zostaje ponownie włączona po zakończeniu trybu stand-by. Za każdym razem kiedy miganie jest aktualizowane, jeżeli wykryta zostanie sytuacja alarmowa (rozładowana bateria lub słaby sygnał w jednym z urządzeń), brzęczyk wyda sygnał dźwiękowy „biip-biiiip”.

7.1.2 - Sygnalizacja podczas wykonywania manewru/próby odbiorczej

Zielona dioda LED miga stale w sposób przerywany. Kiedy urządzenie zabezpieczające (TCW1/2 lub PHW) sygnalizuje sytuację zagrożenia, zapala się czerwona dioda.

7.2 - Sygnalizacja urządzeń PHW, TCW1, TCW2 i LLW

7.2.1 - Sygnalizacja z centralą w trybie stand-by

Kiedy centrala nie działa (nie wykonuje manewru), po wyjęciu baterii z danego urządzenia i ponownym włożeniu jej, urządzenie wyemituje następujące sygnały:

Miganie	Znaczenie
1 czerwone:	Nadajnik nie jest przypisany do żadnego odbiornika
1 czerwone, 1 czerwone:	Urządzenie nie jest przypisane do żadnego interfejsu, a próba przypisania nie powiodła się
1 zielone, 1 czerwone:	Urządzenie jest przypisane do interfejsu, ale przypisany interfejs nie odpowiada
1 czerwone, 1 czerwone:	Urządzenie jest przypisane do interfejsu, a przypisany interfejs odpowiada prawidłowo

7.2.2 - Sygnalizacja podczas wykonywania manewru

• Znaczenie kolorów diody LED „A”:

zielony = bateria naładowana; **czerwony** = bateria rozładowana.

• Znaczenie częstotliwości migania diody LED „A”:

– **Fotokomórki PHW (element RX):** w elemencie RX urządzenia, częstotliwość migania diody LED „A” zależy od jakości wyosiowania. Mówiąc dokładniej, im słabszy jest sygnał otrzymywany z fotokomórki RX, tym bardziej zwiększa się częstotliwość migania, która może przeobrazić się w światło stałe (= całkowite przerwanie wiązki). Natomiast, kiedy otrzymywany sygnał jest idealny, mignięcia wykonywane są raz na sekundę, w 10% cyklu roboczym.

– **Fotokomórki PHW (element TX) i sygnalizator świetlny LLW:** w tych urządzeniach dioda LED „A” wykonuje jedno mignięcie na sekundę, w 10% cyklu roboczym.

– **Czujnik TCW1/2:** jeżeli listwa krawędziowa nie jest wciśnięta, dioda LED „A” miga raz na sekundę, w 10% cyklu roboczym. Natomiast jeżeli listwa krawędziowa jest wciśnięta, dioda świeci światłem stałym.

• Znaczenie kolorów diody LED „B”:

W urządzeniach wyposażonych w ogniwo fotowoltaiczne (TCW2, PHW, LLW) dioda LED „B” (środkowa) zapala się raz na 4 sekundy, kiedy urządzenie ładuje baterię.

7.3 - Procedura sprawdzania urządzeń

Procedura ta umożliwia wykonanie diagnostyki wszystkich urządzeń znajdujących się w sieci bezprzewodowej. Może ona zostać wykonana w dowolnym momencie i umożliwia sprawdzenie stanu listwy krawędziowej, fotokomórek, lampy ostrzegawczej i jakości sygnału radiowego. Procedurę należy aktywować w następujący sposób:

- 01.** Wcisnąć i zwolnić przycisk interfejsu, aby przejść do trybu „sprawdzenie działania”.
- 02.** Wykonać kontrole opisane w poniższych punktach.
- 03.** Na koniec wcisnąć i zwolnić przycisk interfejsu IBW, aby wyjść z trybu „sprawdzanie działania” lub odczekać 2 minuty.

• Aby sprawdzić skuteczność działania listew krawędziowych

Zadziałać na listwę krawędziową i obserwować diody LED znajdujące się na interfejsie IBW oraz czujniku TCW1/2, posługując się poniższą tabelą:

Diody LED interfejsu IBW	Znaczenie
miganie na zielono:	sieć aktywna
zapalenie się czerwonej diody:	zadziałało jedno z urządzeń zabezpieczających, np. wciśnięta listwa krawędziowa, przerwana wiązka optyczna lub brak odpowiedzi z urządzenia

• Dioda LED „A” czujnika TCW1/2

Patrz punkt 7.2.2.

• Dioda LED „B” czujnika TCW1/2

W tym przypadku dioda LED „B” służy do wskazania jakości sygnału radiowego, zgodnie z poniższą tabelą:

Dioda LED B	Znaczenie
wyłączona	Brak sygnału lub bardzo słaby sygnał
o	Słaby sygnał
oo	Sredni sygnał
ooo	Dobry sygnał

Rozszerzenie wiadomości

W tym rozdziale opisane zostały możliwości osobistego dostosowania urządzenia, sygnały diagnostyczne oraz wyszukiwanie usterek w urządzeniu.

A - Co robić, jeśli... (rozwiązywanie problemów)

• **Automat zatrzymuje się lub za każdym razem odwraca kierunek wykonywania manewru przed jego ukończeniem.**

Sprawdzić, czy czujnik TCW1/2 prawidłowo odbiera sygnał radiowy, wykonując w tym celu procedurę sprawdzania działania, opisaną w punkcie 7.3. Jeżeli sieć magistrali BlueBUS jest siecią „mieszaną”, należy upewnić się, że nie występują żadne zakłócenia optyczne pomiędzy fotokomórkami PWH oraz fotokomórkami przewodowymi. Jeżeli by tak było, należy rozwiązać problem zamieniając miejscami elementy TX i RX fotokomórek bezprzewodowych.

• **Automat nie zatrzymuje się i nie odwraca kierunku ruchu, kiedy zadziała urządzenie zabezpieczające.**

– Upewnić się, że centrala wykonała rozpoznanie wszystkich urządzeń znajdujących się w interfejsie IBW; jeżeli centrala nie rozpoznała ich, interfejs IBW sygnalizuje ten stan poprzez krótkotrwały sygnał dźwiękowy (bip), emitowany podczas wykonywania manewru lub podczas procedury sprawdzania działania. Dlatego też należy załączyć w centrali **wyszukiwanie urządzeń**, wykorzystując w tym celu procedurę opisaną w instrukcji obsługi centrali. Tę samą czynność można wykonać również za pomocą urządzenia programującego Oview, wysyłając polecenie „Wyszukiwanie magistrali BlueBUS”.

– Jeżeli problem nie znika, upewnić się, że poszczególne urządzenia tego samego typu (np. wszystkie pary fotokomórek) nie mają takiej samej konfiguracji zworek.

• **Lampa ostrzegawcza działa wyłącznie podczas procedury sprawdzania działania.**

Sprawdzić, czy urządzenie jest prawidłowo podłączone do zacisku „Flash” centrali i upewnić się, że wyjście to zostało skonfigurowane dla funkcji „lampa ostrzegawcza”. Ponadto upewnić się, że zworki są prawidłowo umieszczone w urządzeniu.

B - Konserwacja

Procedura konserwacji urządzeń wchodzących w skład systemu nie przewiduje szczególnych kontroli. Konieczne jest wykonanie co najmniej raz na 6 miesięcy kontroli, podczas której należy sprawdzić stan urządzeń (obecność wilgoci, utlenienia, itp.), wyczyścić ich zewnętrzne powierzchnie i wykonać ponownie próbę techniczną opisaną w rozdziale „Próby odbiorcze”.

W urządzeniach wyposażonych w ogniwo fotowoltaiczne należy częściej sprawdzać czystość powierzchni zajmowanej przez ogniwo, aby zapewnić maksymalną wydajność ładowania. Urządzenia wchodzące w skład systemu zostały opracowane w taki sposób, aby w normalnych warunkach roboczych pracować przynajmniej 10 lat. Po upływie tego okresu należy częściej wykonywać konserwację.

B.1 - Wymiana baterii

Nadające się do ponownego ładowania baterie urządzeń PHW, LLW i TCW2 mogą stracić swoją wydajność po 4-5 latach pracy, powodując częste sygnalizowanie rozładowania baterii (czerwona, migająca dioda LED „A” wskazuje, że należy wymienić baterię).

Nienadające się do ładowania baterie czujnika TCW1 należy wymienić po pojawieniu się pierwszych oznak rozładowania (czerwona dioda LED „A”).

Aby wymienić baterie w poszczególnych urządzeniach, należy zapoznać się z **rys. 13, 14, 15** oraz poniższymi zaleceniami:

- przed rozpoczęciem pracy upewnić się, że automat nie pracuje;
- włożyć nowe baterie, uważając aby dopasować dobrze bieguny;
- kiedy nowe baterie są włożone, sprawdzić działanie systemu, zgodnie z opisem przedstawionym w krokach 05 i 06 rozdziału 6 - „Próby odbiorcze”.

C - Utylizacja

Niniejszy produkt stanowi integralną część automatu, a zatem należy go utylizować razem z automatem.

Tak, jak w przypadku montażu, również czynności demontażu po upływie okresu użytkowania niniejszego urządzenia powinny być wykonywane przez wykwalifikowany personel.

Wyrób ten składa się z różnego rodzaju materiałów; niektóre z nich mogą zostać poddane recyklingowi, inne powinny zostać przekazane do utylizacji, należy zasięgnąć informacji na temat systemów recyklingu lub utylizacji przewidzianych dla tego rodzaju produktu przez lokalne przepisy. Należy we własnym zakresie zapoznać się z informacjami na temat recyklingu i utylizacji przewidzianych w lokalnie obowiązujących przepisach dla danej kategorii produktu. **Uwaga!** – Niektóre części urządzenia mogą zawierać skażające lub niebezpieczne substancje; jeśli trafią one do środowiska, mogą wywołać poważne szkody dla samego środowiska oraz dla zdrowia ludzi.

Jak wskazuje symbol obok, zabrania się wyrzucania niniejszego produktu razem z odpadami domowymi. Należy więc przeprowadzić „selektywną zbiórkę odpadów”, zgodnie z metodami przewidzianymi przez lokalne przepisy, lub oddać urządzenie do sprzedawcy podczas dokonywania zakupu nowego ekwiwalentnego urządzenia. Lokalne przepisy mogą przewidywać poważne sankcje w przypadku nieprawidłowej utylizacji niniejszego produktu.

Uwaga! – Produkt jest zasilany bateriami, które mogą zawierać substancje zanie-



czyszczające środowisko, nie należy więc wyrzucać tego produktu do pojemników na zwykłe odpady. Po usunięciu ich z urządzenia należy zlikwidować je zgodnie z metodami przewidzianymi przez lokalne przepisy.

D - Dane techniczne

- W celu ulepszenia swoich produktów firma Nice S.p.a. zastrzega sobie prawo do zmiany ich parametrów technicznych w dowolnym momencie i bez wcześniejszego powiadomienia, zapewniając jednak przewidziane funkcje i przeznaczenie użytkowe urządzeń.
- We wszystkich specyfikacjach technicznych uwzględniono temperaturę 20° C.

Interfejs „BlueBUS” IBW

- **Typ:** urządzenie zainstalowane w dolnej części automatu i podłączone za pomocą przewodu do centrali. Wykorzystywane jest do bezprzewodowego odbioru sygnałów z czujników znajdujących się w fotokomórkach, listwach krawędziowych itp. oraz do przesyłania poleceń, takich jak zapalenie światła w lampie ostrzegawczej.
- **Zastosowana technologia:** nadawanie i odbiór sygnałów radiowych o częstotliwości 868 MHz.
- **Zasilanie** poprzez podłączenie do zacisku magistrali „BlueBUS” w centrali sterującej automatem.
- **Pobór mocy:** 0,65 W
- **Roboczy zasięg radiowy:** 20 m (*)
- **Maksymalny zasięg radiowy (w optymalnych warunkach):** 40 m
- **Kategoria odporności na usterki:** Kategoria 2, zgodnie z normą EN 13849-1, gwarantowana tylko wtedy, gdy centrala sterująca, w której interfejs jest zainstalowany może zapewnić tę kategorię dla całego automatu.
- **Użytkowanie w środowisku kwaśnym, zasolonym lub potencjalnie wybuchowym:** nie
- **Montaż:** wewnątrz automatów lub samodzielnie, w specjalnej obudowie zabezpieczającej.
- **Stopień ochrony obudowy:** IP30
- **Temperatura robocza:** -20 ÷ +70° C
- **Wymiary (mm):** 18 x 33 x 40
- **Waga (g):** 25
- **Maksymalna dzienna liczba cykli manewrów:** 15, przy manewrach trwających maksymalnie 1 minutę.

Uwaga: (*) - *Wydajność urządzeń nadawczo-odbiorczych może zależeć od innych urządzeń, które działają w ich pobliżu na tej samej częstotliwości (np. głośniki radiowe, systemy alarmowe, itp.), powodując zakłócenia systemu. W przypadku silnych zakłóceń producent nie może zagwarantować rzeczywistej wydajności swoich urządzeń radiowych.*

Dane techniczne urządzeń PHW, LLW, TCW1, TCW2 znajdują się w ich instrukcjach obsługi.

Deklaracja zgodności WE

Deklaracja zgodna z Dyrektywą 1999/5/WE

Uwaga: Treść niniejszej deklaracji jest zgodna z oficjalną deklaracją zdeponowaną w siedzibie Nice S.p.a., a w szczególności z najnowszą wersją, dostępną przed wydrukowaniem niniejszego podręcznika. Poniższy tekst został przerezegowany z przyczyn wydawniczych. Kopię oryginalnej deklaracji zgodności można otrzymać od firmy Nice S.p.a. (TV) l.

Numer: **412/IBW**; Weryfikacja: **0**; Język: **PL**

Ja, niżej podpisany Luigi Paro, jako Dyrektor Generalny, deklaruje na własną odpowiedzialność, że produkt: • **Nazwa producenta:** NICE S.p.A. • **adres:** Via Pezza Alta n°13, 31046 Rustignè di Oderzo (TV) Włochy • **typ produktu:** interfejs pomiędzy systemem BlueBUS a urządzeniami wykorzystującymi technologię dwukierunkowej łączności radiowej Solemyo Air Net System • **model / typ:** IBW • **akcesoria:** brak, jest zgodny z podstawowymi wymaganiami art. 3 poniższej dyrektywy wspólnotowej (dotyczącej zastosowania, do którego przeznaczone są produkty)

• Dyrektywa PARLAMENTU EUROPEJSKIEGO I RADY NR 1999/5/WE z dnia 9 marca 1999 r. w sprawie urządzeń radiowych i końcowych urządzeń telekomunikacyjnych oraz wzajemnego uznawania ich zgodności, zgodnie z następującymi normami zharmonizowanymi: • Ochrona zdrowia (art. 3(1)(a)): EN 50371:2002 • Bezpieczeństwo elektryczne (art. 3(1)(a)): EN 60950-1:2006+A11:2009 • Kompatybilność elektromagnetyczna (art. 3(1)(b)): EN 301 489-1 V1.8.1:2008, EN 301 489-3 V1.4.1:2002 • Spektrum radiowe (art. 3(2)): EN 300 220-2 V2.3.1:2010

Zgodnie z dyrektywą 1999/5/WE (Załącznik V) jest to produkt klasy 1 i oznaczony jako: **CE 0682**

Ponadto produkt jest zgodny z postanowieniami następujących dyrektyw wspólnotowych:

• Dyrektywa PARLAMENTU EUROPEJSKIEGO I RADY 2004/108/WE z dnia 15 grudnia 2004 r. w sprawie ujednoczenia prawodawstwa państw członkowskich w zakresie zgodności elektromagnetycznej, znosząca dyrektywę 89/336/EWG, zgodnie z następującymi normami zharmonizowanymi: PN:EN 61000-6-2:2005, PN:EN 61000-6-3:2007

Spełnia również całkowicie lub częściowo (tam, gdzie ma to zastosowanie) wymagania następujących norm: EN 13849-1:2008, EN 13849-2:2008, EN 13241-1:2004, EN 12453:2002, EN 12445:2002, EN12978:2003 +A1:2009

Oderzo, 5 lipca 2011

Inż. **Luigi Paro**
(Dyrektor Generalny)



Opmerkingen bij het raadplegen

Deze handleiding is een complete gids voor het realiseren van draadloze radioverbindingen, tussen de IBW-interface en alle Nice-inrichtingen die zijn uitgerust met de Solemyo Air Net System-radiotechnologie van Nice (gebaseerd op bidirectionele radioverbinding, zonder gebruikmaking van elektriciteitskabels). Afgezien van IBZ zijn de volgende in de handleiding vermelde inrichtingen niet in de verpakking aanwezig: PHW-fotocellen, LLW-signaleringslichten, TCW1- en TCW2-sensoren (voor contactlijsten).

1 Algemene waarschuwingen en voorzorgmaatregelen voor de veiligheid

Let op! • **Belangrijke instructies voor de veiligheid: Bewaar deze handleiding.** • **Naleving van deze instructies is van belang voor de veiligheid van personen. Lees daarom deze handleiding aandachtig door voordat u te werk gaat.**

Gelet op de risico's die kunnen ontstaan tijdens de installatie en het gebruik van de in deze handleiding beschreven apparatuur, is het noodzakelijk dat de installatie plaats vindt in complete overeenstemming met de wetten, richtlijnen en voorschriften om de maximale veiligheid te garanderen.

Volgens de recentste Europese wetgeving moeten, moet de automatische bediening van een deur of hek voldoen aan de voorschriften van de "Machinerichtlijn" 2006/42/EG (voorheen 98/37/EG) en, in het bijzonder, aan de volgende normen t.b.v. conformiteitsverklaring: EN 13241-1 (geharmoniseerde norm); EN 12445; EN 12453; EN 12635.

Nadere toelichting over risicoanalyse en de uitvoering van het Technisch Dossier kunt u vinden op de website www.niceforyou.com.

- Deze handleiding is uitsluitend bestemd voor het technisch personeel dat bevoegd is de installatie uit te voeren. Niets van de overige informatie in deze handleiding kan als relevant voor de eindgebruiker worden beschouwd!
- De uitvoering van beveiligingssystemen voor automatische deuren en hekken is onderworpen aan de volgende normen:

- EN 12453 Industriële, bedrijfs-, garagedeuren en -poorten. Gebruiksveiligheid van aangedreven deuren - *Vereisten*.
- EN 12978 Industriële, bedrijfs-, garagedeuren en -poorten. Veiligheidsvoorzieningen voor aangedreven deuren en poorten - *Vereisten en testmethoden*. Installatie en aansluiting van de in deze handleiding beschreven apparatuur om een "beveiligingssysteem" te realiseren die niet aan vermelde normen voldoet, wordt aangemerkt als nalatigheid en opzettelijk misbruik!
- Ander gebruik van de in de handleiding beschreven inrichtingen dan is beschreven in deze handleiding, is verboden! Bij ongeoorloofd of oneigenlijk gebruik kan schade aan zaken en/of personen ontstaan.
- Het is niet toegestaan om de onderdelen uit deze handleiding te wijzigen of aan te passen als niet nadrukkelijk voorzien in de handleiding zelf; ongeoorloofde wijzigingen kunnen tot storingen leiden. Nice aanvaardt geen aansprakelijkheid voor eventuele schade veroorzaakt door willekeurig gewijzigde producten.
- **Bijzondere aanbevelingen ten aanzien van de gebruiksgeschiktheid van de in deze handleiding beschreven apparatuur, met betrekking tot de Richtlijn "Elektromagnetische Compatibiliteit" 2004/108/EG (voormalig 89/336/EEG).** Deze apparatuur is onderworpen aan elektromagnetische compatibiliteitstests onder de meest kritische gebruikssituaties, volgens de in deze handleiding beschreven configuraties en in combinatie met de door Nice geleverde producten. Derhalve kan de elektromagnetische compatibiliteit niet worden gegarandeerd wanneer de inrichtingen in een andere configuratie worden gebruikt, of wanneer er andere producten worden toegepast dan toegestaan. Gebruik van de apparatuur is daarom niet toegestaan zolang de monteur die de installatie verricht niet heeft geconstateerd of deze aan de in de richtlijn gestelde eisen voldoet.
- De in de handleiding vermelde inrichtingen vallen onder categorie 2 met betrekking tot beveiliging tegen storingen (volgens de norm EN 13849-1). Voor instandhouding van deze categorie moet echter ook de besturingseenheid waarop de IBW-interface aangesloten wordt, onder categorie 2 vallen met betrekking tot beveiliging tegen storingen (volgens de norm EN 13849-1).
- Zorg ervoor dat de omstandigheden waaronder deze onderdelen zullen worden gebruikt in overeenstemming zijn met de voorschriften uit hoofdstuk "Technische eigenschappen" van desbetreffende gebruikshandleidingen.
- Zorg ervoor dat de bedrading voor de elektrische aansluitingen in overeenstemming is met hoofdstuk "Installatie en aansluiting".

2 Beschrijving van het product en gebruiksbestemming

IBW is een interface met **Solemyo Air Net System**-radiotechnologie van Nice, en kan uitsluitend worden toegepast in combinatie met apparatuur die gebruik maakt van deze technologie (afb. 1). De interface maakt gebruik van het communicatieprotocol "BlueBUS" van Nice en wordt via een kabel verbonden met een Nice-besturingseenheid die hetzelfde protocol gebruikt, voor het controleren en aansturen van de automatisering van een hek, garagedeur of vergelijkbaar.

De IBW-interface maakt het bij netwerken met "BlueBUS"-protocol mogelijk om het reeds bekabelde netwerk uit te breiden, of om een nieuw netwerk te maken dat is uitgerust met accessoires met **Solemyo Air Net System**-radiotechnologie, op batterijvoeding of met een zonnecel, waarbij de bidirectionele communicatie wordt benut om zonder gebruikmaking van elektriciteitskabels verbinding te maken met de besturingseenheid van de automasering. Deze accessoires (net aanwezig in de verpakking) zijn de PHW-fotocellen, de signaleringslichten / het LLW-gebruikerslicht en de TCW1/TCW2-sensoren, die moeten worden aangesloten op de contactlijsten (weerstand of foto-optisch). De IBW-interface en deze inrichtingen vormen samen een draadloos communicatienetwerk van het type "BlueBUS". Voor meer informatie over de opstelling en werking van een bekabeld "BlueBUS"-netwerk raadpleegt u de handleiding van de besturingseenheid van de automatisering.

De IBW-interface wordt via kabel aangesloten op de "BlueBUS"-klem op de besturingseenheid en controleert de werking van het hele netwerk van accessoires. Bij gebruik van een of meer LLW-inrichtingen als knipperlicht, moet de interface ook op de "Flash"-klem aangesloten zijn. Kort gezegd is de IBW-interface een inrichting die de boodschappen die via kabel reizen, "vertaalt" in boodschappen die via radiosignaal worden verzonden, en omgekeerd, waarbij het "BlueBUS"-systeem de draadloos aangesloten inrichtingen herkent alsof deze via kabel zijn aangesloten. Het is ook mogelijk een gemengd "BlueBUS"-netwerk te maken, bestaande uit "traditionele" inrichtingen die fysiek op de buskabel zijn aangesloten (en via deze kabel op de besturingseenheid zijn aangesloten, en "draadloze" inrichtingen, die via radiosignaal op de BlueBUS-interface zijn aangesloten (en via deze interface op de besturingseenheid zijn aangesloten).

Elk ander gebruik dan in deze handleiding is beschreven of dat plaatsvindt in andere omgevingscondities dan in deze handleiding worden beschreven, moet als oneigenlijk en verboden worden beschouwd!

3 Controles die aan de installatie voorafgaan en gebruikslijmieten

Alvorens tot de installatie over te gaan, is het noodzakelijk om een aantal aspecten van het werkingsprincipe in beschouwing te nemen voor de maximale veiligheid en functionaliteit te behalen.

- De IBW-interface alleen is geen **compleet** draadloos systeem, maar enkel een onderdeel daarvan. Deze is uitsluitend te gebruiken in combinatie met een van de in hoofdstuk 2 vermelde draadloze accessoires.
- Zorg ervoor dat de omstandigheden waaronder de inrichtingen zullen worden gebruikt in overeenstemming zijn met de specificaties in de desbetreffende gebruikershandleidingen (hoofdstuk "Technische specificaties"). Bij twijfel adviseren wij u het product niet te gebruiken en contact op te nemen met het technisch servicecentrum van Nice.
- Verzekert u er van dat er binnen het bereik van de automatisering geen inrichtingen aanwezig zijn die constante radio-interferentie genereren. Dergelijke apparatuur kan de werking van het systeem negatief beïnvloeden.

3.1 - Gebruikslijmieten

- De IBW-interface kan uitsluitend worden geïnstalleerd in ruimten die beschermd zijn tegen de invloeden van water, vocht en stof.
- De IBW-interface kan alleen worden aangesloten op een centrale die compatibel is met het "BlueBUS"-communicatieprotocol van Nice.
- De IBW-interface en de daarop aangesloten inrichtingen garanderen geen optimale werking in geval van besturingssystemen die op een radiofrequentieband van 868 MHz functioneren.
- De LLW-, PHW- en TCW2-inrichtingen hebben een ingebouwde cel voor voeding op basis van zonne-energie, wat betekent dat de inrichtingen in de buitenlucht geïnstalleerd moeten worden, waar de cel het grootste deel van de dag direct licht van de zon kan opvangen. **Let op!** – Het verdient de voorkeur elke inrichting in een gunstige positie ten opzichte van de zon te plaatsen, dat wil zeggen uit de buurt van objecten of situaties die de hele dag voor een duidelijke afscherming van de zonnecel zouden kunnen zorgen.
- Hoeveel accessoires er maximaal op een besturingseenheid aangesloten kunnen worden, is afhankelijk van de technische specificaties van de "BlueBUS" van die besturingseenheid. Er kunnen in ieder geval nooit meer dan 20 eenheden worden aangesloten.
- Voor verdere gebruikslijmieten verwijzen wij u naar het hoofdstuk "Technische eigenschappen".

4 Algemene procedure voor de installatie, aansluiting, programmering en keuring van alle systeemapparatuur

4.1 - Bevestiging en aansluiting van alle inrichtingen

Voor bevestiging en aansluiting van alle inrichtingen die in het systeem voorzien zijn, is het nodig alle hieronder beschreven handelingen uit te voeren, strikt in de aangegeven volgorde.

01. Bepaal binnen de automatisering de positie waarin elk van de voorziene draadloze inrichtingen geïnstalleerd zal worden (zie afb. 2, de gebruikershandleiding van de besturingseenheid en die van elke inrichting). Waarschuwing – Twee of meer koppels draadloze fotocelle genereren tussen elkaar geen optische interferentie, ook niet als deze dicht bij elkaar geplaatst zijn. Als er in één en dezelfde automatisering ook bekabelde (traditionele) fotocellen aanwezig zijn, verdient het aanbeveling, om eventuele optische interferentie tussen deze en draadloze fotocellen te vermijden, om aan één kant de draadloze TX-elementen en de bekabelde RX-elementen te installeren, en aan de tegenover gelegen kant de RX- en TX-elementen.
02. Demonteer de inrichtingen om vrije toegang te krijgen tot de toets “T”, de jumper “J” en tot de batterijen (zie afb. 3, 4, 5).
03. Raadpleeg de tabellen in de gebruikershandleiding van de automatisering om voor elke voorziene inrichting de functie te selecteren die u eraan wilt toewijzen (voor de LLW-inrichting raadpleegt u de bijbehorende gebruikershandleiding). Plaats vervolgens de jumpers in elke inrichting, met de configuratie die in de tabellen wordt weergegeven.
04. Sluit elke TCW1/2 sensor op de bedrading van de betreffende contactlijst aan, zoals weergegeven in afb. 6.
05. Richt u zich nu tot het besturingssysteem (raadpleeg de betreffende gebruiksaanwijzing) om de IBW-interface op het besturingssysteem aan te sluiten (zie paragraaf 4.2.1 of 4.2.2).
06. Breng alle draadloze inrichtingen dicht bij de IBW-interface en programmeer deze (zie hoofdstuk 5, raadpleeg de paragraaf over het betreffende doeleinde).
07. Na beëindiging van de programmering zoekt u op de besturingseenheid naar inrichtingen, volgens de procedure die in de gebruikershandleiding van de besturingseenheid is beschreven. Dezelfde handeling kan ook met de Oview-programmeereenheid worden uitgevoerd door de opdracht “BlueBUS zoeken” te verzenden.
08. Plaats elke draadloze inrichting tijdelijk op het punt dat voor de installa-

tie voorzien is; plaats de antenne van de IBW-interface op een punt dat garant staat voor een goede ontvangst/verzending. Voer ten slotte een controle uit van de werking van alle inrichtingen van het systeem, via de Eindtest van het volledige systeem, zoals beschreven in hoofdstuk 6.

09. Na afloop van de eindtest zet u elke draadloze inrichting definitief vast op de vooraf bepaalde punten (zie afb. 7, 8, 9). Bevestig de IBW-interface in de buurt van de besturingseenheid of erin en zorg er daarbij voor dat deze voldoende beschermd is (afb. 10). Maak tenslotte de antenne in de tijdens de keuring goedgekeurde richtstand vast met de meegeleverde dubbelzijdige tape.

4.2 - IBW-interface aansluiten

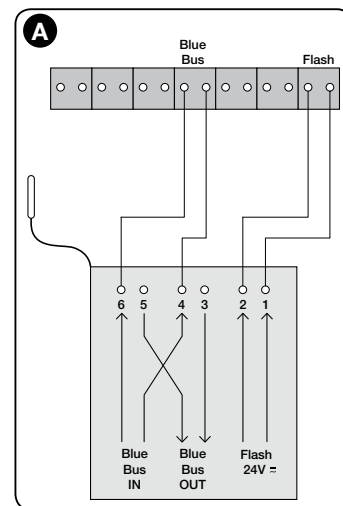
4.2.1 - IBW aansluiten op een algemene Nice-besturingseenheid, met gebruikmaking van het knipperende LLW-signaleringslicht

In afb. A wordt een voorbeeld weergegeven waarin te zien is hoe de IBW-interface op een algemene Nice-besturingseenheid wordt aangesloten, met het communicatieprotocol “BlueBUS”. Als u niet van plan bent het knipperende LLW-signaleringslicht te gebruiken of als u dit alleen als gebruikerslicht wilt gebruiken, is aansluiting op de “Flash”-klem van de besturingseenheid niet nodig.

4.2.2 - BW aansluiten op een algemene Nice-besturingseenheid en opstelling van een gemengd netwerk

Zoals is beschreven in hoofdstuk 2, is het mogelijk om een gemengd BlueBUS-netwerk te maken, waarbij draadloze inrichtingen en bekabelde inrichtingen naast elkaar worden gebruikt. U dient bij dit type netwerk rekening te houden met het volgende:

- de installatie van gemengde inrichtingen leidt niet tot een verhoging van het maximale aantal inrichtingen die op de besturingseenheid kunnen worden aangesloten (zie de gebruikershandleiding van de besturingseenheid);
- de configuraties van de jumpers in de fotocellen moeten verschillend zijn voor de diverse koppels fotocellen binnen het systeem, zonder dat er daarbij onderscheid wordt gemaakt tussen draadloze en bekabelde fotocellen.



5 Programmering

Om ervoor te zorgen dat de IBW-interface en de draadloze inrichtingen met elkaar via radio kunnen communiceren, moet u de "herkennings"procedure voor inrichtingen bij de interface uitvoeren, op basis van een van de procedures die in dit hoofdstuk 5 worden beschreven.

Programmeringsvoorschriften:

- Voor identificatie van de in de handleiding vermelde Led's en toetsen raadpleegt u **afb. 12**.
- Voor de procedures waarin sprake is van plaatsen en/of verwijderen van batterijen, verwijzen wij u naar **afb. 13, 14, 15**.
- Alle programmeringsfasen eindigen automatisch 2 minuten nadat de laatste toets werd ingedrukt. Alle eventuele wijzigingen worden dan ook op dat moment opgeslagen.
- **Na afloop van de programmeringsprocedure zou het nodig kunnen zijn om op de bestrutingseenheid de procedure voor het zoeken naar inrichtingen uit te voeren. Daartoe volgt u de procedure die is opgenomen in de gebruikershandleiding van de besturingseenheid. Dezelfde handeling kan ook met de Oview-programmeereenheid worden uitgevoerd door de opdracht "BlueBUS zoeken" te verzenden.**

5.1 - Een nieuw systeem aanleggen

Deze procedure geeft aan hoe u een nieuw systeem kunt aanleggen, met draadloze inrichtingen waarvan het geheugen op het moment van de installatie nog leeg is (fabrieksinstellingen).

01. Houd de toets van de IBW-interface ingedrukt en laat deze los pas als de LED continu op groen brandt. De interface is nu klaar voor de herkenning van de draadloze inrichtingen.

Het vervolg van de procedure voorziet in de installatie van een draadloze inrichting. Herhaal de procedure vervolgens vanaf punt 02 voor elke draadloze inrichting die u wilt installeren.

02. Plaats de batterijen in de inrichting (indien reeds aanwezig, druk op de "T"-toets van de inrichting en laat deze weer los): de IBW interface zal een kort pieptoon geven ter bevestiging dat de herkenningsprocedure in gang is gezet waarbij de "A"-led groen licht, en de "B"-led's rood licht zullen geven totdat de procedure is beëindigd.
 03. Om meerdere inrichtingen aan de interface te koppelen, herhaalt u voor iedere inrichting de aanwijzingen vanaf punt 02.
 04. Druk ten slotte op de knop van de IBW-interface en laat deze weer los de pro-
- 4 – Nederlands

cedure te beëindigen.

5.2 - Inrichtingen toevoegen aan bestaand systeem

Via deze procedure kunt u meerdere draadloze inrichtingen aan een bestaand draadloos netwerk toevoegen, zonder dat u de herkenningsprocedure voor de reeds aanwezige inrichtingen hoeft te herhalen.

01. **Waarschuwing** – Het geheugen van de nieuwe draadloze inrichtingen die u aan het systeem wilt koppelen, dient leeg te zijn. Indien een inrichting al eerder in een ander systeem is gebruikt, zal deze eerst naar de fabrieksinstellingen moeten worden teruggezet (volg hiervoor de procedure uit paragraaf 5.5).
02. Houd de toets van de IBW-interface ingedrukt en laat deze pas los als de groene led gaat branden. Op dit moment gaat de led snel knipperen en probeert de interface met elke bestaande inrichting van het systeem te communiceren (op de draadloze inrichtingen beginnen alle de "A"-led (groen) en de "B"-led's te knipperen). Als dit is gebeurd, blijft de led van de interface continu groen branden, en begint de interface aan de "radioherkenning" van de nieuwe inrichtingen.
Let op! – Als een of meerdere inrichtingen niet communiceren, laat de interface gedurende 10 seconden een pieptoon horen. Als er in de tussentijd niet op een andere toets wordt gedrukt, zal de interface na 10 seconden de herkenningsfase onderbreken en de vorige status van het systeem handhaven.
03. Plaats de batterijen in de inrichting die wordt toegevoegd (indien reeds aanwezig, druk op de "T"-toets van de inrichting en laat deze weer los): de IBW interface zal een kort pieptoon geven ter bevestiging dat de herkenningsprocedure in gang is gezet waarbij de "A"-led groen licht, en de "B"-led's rood licht zullen geven totdat de procedure is beëindigd.
04. Om meerdere inrichtingen aan de interface te koppelen, herhaalt u voor iedere inrichting de aanwijzingen vanaf punt 03.
05. Druk ten slotte op de knop van de IBW-interface en laat deze weer los de procedure te beëindigen.

5.3 - Inrichtingen verwijderen uit bestaand systeem

Via deze procedure kunt u een of meerdere draadloze inrichtingen uit een bestaand radionetwerk verwijderen, zonder dat u de herkenningsprocedure voor het hele systeem hoeft te herhalen of het hele systeem opnieuw hoeft te installeren.

01. Verwijder de batterijen uit de inrichting die u wilt verwijderen of zet de fabrieksinstellingen terug via de procedure uit paragraaf 5.5, zodat de inrichting niet meer kan communiceren.
02. Houd de toets van de IBW-interface ingedrukt en laat deze pas los als de groene led gaat branden. Op dit moment gaat de LED van de interface snel knipperen en deze probeert met elke bestaande inrichting van het systeem te communiceren (alle led's van de inrichtingen beginnen te knipperen). Aan het einde van deze procedure, geeft de interface een pieptoon af gedurende 10

seconden om aan te geven dat er geen communicatie met de te verwijderen inrichting (of inrichtingen) is. Tijdens het afspelen van de pieptoon drukt u een keer op de interface toets om de verwijdering van de inrichting (of inrichtingen) te bevestigen: de led van de interface brandt continu (groen).

Als u meerdere nieuwe inrichtingen wilt herkennen: dan gaat u verder met de programmering zoals uitgelegd vanaf punt 03 uit paragraaf 5.2; anders gaat u verder met de volgende stap.

03. Druk op de knop op de IBW-interface en laat deze los om de procedure te beëindigen: deze geeft een dubbele pieptoon af om de verwijdering van de inrichting (of inrichtingen) te bevestigen.

5.4 - Interface vervangen in bestaand systeem

Via deze procedure kunt u de IBW-interface van een bestaand systeem vervangen. Met deze procedure hoeft u niet de herkenning voor alle draadloze inrichtingen één voor één opnieuw uit te voeren, maar kunt u door middel van een enkele inrichting, alle inrichtingen aan de nieuwe interface in één keer koppelen. **Waarschuwing** – als de nieuwe interface van een ander systeem afkomstig is, moet u voor aanvang van de procedure eerst de fabrieksinstellingen van de interface terugzetten door de procedure uit paragraaf 5.5 te volgen.

01. Kies een willekeurige draadloze inrichting uit de inrichtingen van het systeem en verwijder deze van de basis om toegang te krijgen tot de knop "T". Breng de interface vervolgens in de nabijheid van de nieuwe interface die u wilt installeren.

02. Op denieuwe interface: houd de toets gedurende 10 seconden ingedrukt en laat deze los als de rode led brandt.

03. Op denieuwe interface: druk 2 keer op de toets; na 5 seconden begint de rode led te knipperen, wat duidt op "stand-by".

04. Op de draadloze inrichting (die bij punt 01 is gekozen): houd de toets "T" ingedrukt totdat led "A" continu rood is. Druk vervolgens 2 keer op de "T"-toets. Na 5 seconden beginnen de rode en de groene led te knipperen, wat duidt op het begin van verzending van de gegevens over de oude installatie naar de nieuwe IBW-interface.

Op de nieuwe interface: tijdens de ontvangst van gegevens begint ook de groene led te knipperen (de rode led knippert al= en laat de inrichting een pieptoon horen. Als de benodigde tijd voor het zoeken van alle aanwezige draadloze inrichtingen verstreken is, gaat de led op de nieuwe interface ononderbroken groen branden en beginnen op de inrichtingen led "A" (groen) en led "B" te knipperen. De nieuwe interface laat dan voor elke herkende inrichting een pieptoon horen: als op de oude installatie bijvoorbeeld 7 draadloze inrichtingen aanwezig waren, zal de interface dus 7 pieptonen laten horen.

06. Druk ten slotte op de knop op de interface en laat deze weer los om de procedure te beëindigen.

5.5 - Geheugen van interface en inrichtingen wissen

Via deze procedure kunt u het geheugen van de inrichtingen wissen en zo de fabrieksinstellingen terugzetten. Dit is nuttig als u een of meer inrichtingen die eerder in een systeem geïnstalleerd zijn, wilt gebruiken om een nieuw systeem te maken.

5.5.1 - IBW-interface wissen

01. Houd de toets van de IBW-interface (gedurende ongeveer 10 seconden) ingedrukt en laat deze los als de rode led gaat branden.

02. Druk opnieuw de toets van de interface in en laat deze weer los: na 5 seconden begint de rode LED te knipperen om aan te geven dat de interface wordt gewist. Wanneer de lampjes niet meer knipperen kunt u de interface voor het opzetten van een nieuw systeem gebruiken.

5.5.2 - Draadloze inrichting wissen

01. Houd de "T"-toets van de inrichting ingedrukt totdat led "A" continu brandt (rood).

02. Druk opnieuw op de toets van de interface en laat deze weer los: na 5 seconden begint de rode LED "A" te knipperen om aan te geven dat de sensor wordt gewist. Wanneer de led's niet meer knipperen, kunt u de inrichting in een nieuw systeem gebruiken.

Waarschuwingen bij de eindtest:

- **Na elke programmering is het nodig het hele systeem voor draadloze verbinding opnieuw te testen om ervoor te zorgen dat alle aanwezige apparatuur na behoren werkt.**
- *Gelet op de beweegbare delen gedurende sommige fases van de keuring en het feit dat de geautomatiseerde aandrijving nog niet geheel en/of na behoren veilig zou kunnen zijn, raden wij u aan om uiterst voorzichtig te zijn tijdens het uitvoeren van deze controles.*
- *Herhaal de volledige eindtest voor elke inrichting die aanwezig is binnen het draadloze-verbindingsnetwerk.*

01. Zorg ervoor dat de instructies in deze handleiding en in het bijzonder de waarschuwingen uit hoofdstukken 1 en 3 zorgvuldig in acht worden genomen.

02. Eindtest uitvoeren voor een TCW1/2-sensor die is aangesloten op een contactlijst met een constante weerstand:

- a) - ontkoppel de contactlijst van de sensorklemmen en meet de weerstandswaarde van de lijst met behulp van een weerstandsmeter; deze moet tussen 7700 Ohm en 8700 Ohm (nominale waarde 8200 Ohm) liggen;
- b) - druk op de contactlijst om deze te activeren en meet de weerstandswaarde opnieuw: zorg ervoor dat de waarde lager dan 1000 Ohm of hoger dan 16500 Ohm is;
- c) - sluit ten slotte de contactlijst opnieuw op de klemmen van de TCW1/2-sensor aan.

03. Het systeem overschakelen op de modus “Werkingscontrole”:

- a) - verzeker u ervan dat alle inrichtingen van het systeem op voeding zijn aangesloten;
- b) - druk op de toets op de IBW-interface en laat deze weer los: op deze wijze wordt het systeem overgeschakeld op de modus “Werkingscontrole”;
- c) - verplaats en positioneer nu het beweegbare deel in verschillende standen en controleer de “B”-led’s van elke inrichting om vast te stellen of de radio-ontvangst voldoende is (○ = led aan; ● = led uit):

- ○ ○ = radio-ontvangst optimaal
- ○ ● = radio-ontvangst goed
- ● ● = radio-ontvangst voldoende
- ● ● = radio-ontvangst onvoldoende

Als er in een of meerdere draadloze inrichtingen het grootste deel van de manoeuvre slechts één led brandt, verdient het aanbeveling de communicatie te verbeteren door voor elk van de betreffende inrichtingen als volgt te werk te gaan: breng

de draadloze inrichting zo dicht mogelijk bij de antenne van de IBW-interface, of zet de antenne wat hoger, en/of verder uit de buurt van metalen voorwerpen. Voer vervolgens het volgende punt 06 uit, tot er goede prestaties zijn bereikt.

04. Veiligheidstest van een drukgevoelige contactlijst: druk de contactlijst in en laat weer los; controleer dat led “A” van de TCW1/2-sensor niet meer “knippert” maar “constant brandt”. De kleur van het licht van de led is afhankelijk van de laadstatus van de batterijen, zoals wordt uitgelegd in paragraaf 7.2.2.

05. Test van de uitlijning van de PHW-fotocellen: voer deze test uit met verwijzing naar de handleiding van de besturingseenheid. Het knipperende signaleringslicht van led “A” van de fotocellen:

- **in de TX-fotocel:** geknipper met een seconde met een duty cycle van 10%. De kleur van het licht van de led is afhankelijk van de laadstatus van de batterijen, zoals wordt uitgelegd in paragraaf 7.2.2.
- **in de RX-fotocel:** geknipper met een duur van 100 ms en een frequentie die in verhouding staat tot de uitlijning: van geknipper van 1 seconde (= *optimaal signaal*) tot ononderbroken brandende led (= *signaal afwezig*). De kleur van het licht van de led is afhankelijk van de laadstatus van de batterijen, zoals wordt uitgelegd in paragraaf 7.2.2.

In deze fase kunt u ook controleren of de fotocellen goed werken, door de uitlijningslijn met een obstakel te onderbreken en u ervan te verzekeren dat de led ononderbroken blijft branden.

06. Test van de werking van het LLW-signaleringslicht: als de inrichting als gebruikerslicht is ingesteld, blijft de lamp branden; als de inrichting echter als signaleringslicht is ingesteld, zal de lamp elke seconde kort knipperen.

07. De modus “Werkingscontrole” van het systeem uitschakelen: druk op de toets op de IBW-interface en laat deze weer los.

08. Koppel het beweegbare deel aan de motor en geef een bedieningssignaal door. Controleer dat de groene led van de interface regelmatig begint te knipperen en dat de opening/sluiting correct worden uitgevoerd, zonder omkerende bewegingen.

09. Geef opdracht tot enkele manoeuvres en voer de volgende controles uit:

- plaats een obstakel tussen elk koppel fotocellen en verzeker u ervan dat de automatisering zich gedraagt zoals voorzien is;
- druk op elke gevoelige lijst en verzeker u ervan dat de automatisering zich gedraagt zoals voorzien is;
- als het LLW-signaleringslicht geïnstalleerd is en als knipperlicht is ingesteld, verzekert u zich ervan dat deze elke seconde gedurende 0,3 seconde knippert).

10. Indien de bescherming tegen gevaar van de beweegbare delen door middel van drukgevoelige beveiligingen is geregeld (type C, volgens norm EN 12445, deel over drukgevoelige beschermingsvoorzieningen), de controle van de interface en van de sensoren moet worden uitgevoerd door de krachtwaardes langs de hele werkslag te meten, volgens de voorschriften van hoofdstuk 5 van norm EN 12445.

7 Systeemdiagnostiek

7.1 - IBW-interface aansluiten

Als de IBW-interface geen enkele draadloze inrichting herkend heeft, is er elke seconde rood geknipper; anders is er knipperlicht zoals beschreven in de paragrafen 7.1.1 en 7.1.2.

7.1.1 - Signaleringen met de besturingseenheid in stand-by

Knipperlicht	Betekenis
1 rood:	De interface is aan geen enkele inrichting gekoppeld
1 groen, 1 rood:	De interface is aan ten minste één enkele inrichting gekoppeld; de gekoppelde inrichtingen reageren correct; de batterij van de gekoppelde inrichtingen is opgeladen
1 rood, 1 groen:	Ten minste één van de interfaces heeft een lege batterij; de gekoppelde inrichtingen reageren correct
1 groen, 1 rood:	De batterij van de gekoppelde inrichtingen is opgeladen; bij de vorige manoeuvre was er voor ten minste één van de inrichtingen sprake van communicatieproblemen
1 rood, 1 rood:	Ten minste één van de gekoppelde inrichtingen heeft een lege batterij; bij de vorige manoeuvre was er voor ten minste één van de inrichtingen sprake van communicatieproblemen

In alle gevallen worden de knippersignalen bijgewerkt aan het eind van elke manoeuvre of wanneer de besturingseenheid opnieuw wordt geactiveerd na een periode van stand-by. Elke keer dat het geknipper wordt bijgewerkt, is er een toon van het type “piep-pieep” te horen als er een alarmsituatie wordt gedetecteerd (batterij leeg of slecht signaal bij een van de inrichtingen).

7.1.2 - Signaleringen tijdens een manoeuvre/eindtest

De groene led knippert continu; wanneer een veiligheidsinrichting (TCW1/2 of PHW) een situatie van gevaar signaleert gaat de rode led branden.

7.2 - Signaleringen van de inrichtingen PHW, TCW1, TCW2 en LLW

7.2.1 - Signaleringen met de besturingseenheid in stand-by

Wanneer de besturingseenheid inactief is (geen manoeuvre gaande) zal de inrichting de volgende signaleringen uitvoeren als u de batterij uit de betreffende inrichting verwijdert en weer terugplaatst:

Knipperlicht	Betekenis
1 rood:	De zender is aan geen enkele ontvanger gekoppeld
1 rood, 1 rood:	De inrichting is aan geen enkele interface gekoppeld en de poging tot koppeling is niet geslaagd
1 groen 1 rood:	De inrichting is aan een interface gekoppeld, maar de gekoppelde interface reageert niet
1 groen 1 groen:	De inrichting is aan een interface gekoppeld en de gekoppelde interface reageert correct

7.2.2 - Signaleringen tijdens een manoeuvre

• Betekenis van de kleur van led “A”:

kleur groen = batterij opgeladen; **kleur rood** = batterij leeg.

• Betekenis van de frequentie van het geknipper van led “A”:

– **PHW-fotocel (element RX):** in het element RX van de inrichting is de frequentie van het geknipper van led “A” afhankelijk van de kwaliteit van de uitlijning. Hoe zwakker het optische signaal is dat van fotocel RX wordt ontvangen, des te hoger wordt de frequentie van het geknipper, totdat de led ten slotte ononderbroken blijft branden (= *volledige onderbreking van de detectielijn*). Wanneer het ontvangen signaal daarentegen optimaal is, is de knipperfrequentie slechts 1 maal per seconde, met een duty cycle van 10%.

– **PHW-fotocel (element TX) en LLW-signaleringslicht:** bij deze inrichtingen knippert led “A” eenmaal per seconde, met een duty cycle van 10%.

– **TCW1/2-sensor:** als de fotolijst niet wordt ingedrukt, knippert led “A” eenmaal per seconde, met een duty cycle van 0%; als de fotolijst daarentegen ingedrukt wordt, blijft de led ononderbroken branden.

• Betekenis van de kleur van led “B”:

Op inrichtingen met zonnecellen (TCW2, PHW, LLW) gaat led “B” (de middelste led) om de 4 seconden branden wanneer de inrichting de batterij aan het opladen is (wanneer er voldoende belichting door de zon is).

7.3 - Procedure voor “werkingscontrole” van de inrichtingen

Via deze procedure kunt u een diagnose stellen voor alle inrichtingen die aanwezig zijn binnen een draadloos netwerk. De diagnose kan op elk gewenst moment gesteld worden en stelt u in staat de status van de gevoelige contactlijst, de fotocellen, het knipperlicht en het radiosignaal te controleren. U zet de procedure als volgt in gang:

- 01.** Druk op de toets van de interface en laat deze weer los om over te schakelen op de modus “Werkingscontrole”.
- 02.** Voer de controles uit die bij de volgende punten aan bod komen.

03. Aan het einde drukt u op de toets van de IBW-interface en laat u deze los om de modus “Werkingscontrole” af te sluiten, of wacht u 2 minuten.

• **Controle van de goede werking van de contactlijsten**

Activeer de contactlijst en kijk hoe de led's van de IBW-interface en van de TCW1/2-sensor reageren (zie tabel hieronder):

Led van IBW-interface	Betekenis
groen knipperend:	netwerk actief
inschakeling rode led:	activering van een veiligheidsinrichting, bijv. lijst ingedrukt of optische detectielijn onderbroken of een inrichting reageert niet

• **Led “A” van de TCW1/2 sensor**

Zie paragraaf 7.2.2.

• **Led “B” van de TCW1/2 sensor**

In dit geval dienen de “B”-led's ter indicatie van de kwaliteit van het radiosignaal, op basis van de volgende tabel:

Led B	Betekenis
uit	Geen signaal of zeer slecht signaal
o	Zwak signaal
oo	Gemiddeld signaal
ooo	Sterk signaal

Nadere toelichting

In dit hoofdstuk vindt u nadere toelichting over mogelijke aanpassingen, het analyseren en opsporen van fouten/storingen.

A - Wat te doen als ... (problemen oplossen)

• **Beweging stopt of keert om vóór het einde van de slag is bereik.**

Controleer de radio-ontvangst van de TCW1/2-sensor door de procedure “Werkingscontrole” uit paragraaf 7.3 uit te voeren.

Als het BlueBUS-netwerk van het type “gemengd” is, dient u zich ervan te verzekeren dat er geen sprake is van optische interferentie tussen de draadloze PHW-fotocellen en de bekabelde fotocellen; als dat wel het geval is, verhelpt u het probleem door de elementen TX en RX van de draadloze fotocellen om te wisselen.

• **De beweging stopt niet of keert niet om wanneer een veiligheidsinrichting wordt geactiveerd.**

– Verzeker u ervan dat de besturingseenheid alle inrichtingen heeft herkend die in de IBW-interface aanwezig zijn: als de besturingseenheid deze niet heeft herkend, signaleert de IBW-interface de status middels een periodieke pieptoon tijdens de manoeuvre of tijdens de procedure “Werkingscontrole”. Daarom dient u op de besturingseenheid te zoeken naar inrichtingen, volgens de procedure die in de gebruikershandleiding van de besturingseenheid is beschreven. Dezelfde handeling kan ook met de Oview-programmeereenheid worden uitgevoerd door de opdracht “BlueBUS zoeken” te verzenden.

– Als het probleem zich blijft voordoen, dient u zich ervan te verzekeren dat de diverse inrichtingen van hetzelfde type /bijvoorbeeld alle koppels fotocellen) verschillende jumperconfiguraties hebben.

• **Het signaleringslicht werkt alleen tijdens de procedure “Werkingscontrole”.**

Controleer of de inrichting juist is aangesloten op de “Flash”-klem van de besturingseenheid en of deze uitgang op de functie “knippen” is ingesteld. Verzeker u er ook van dat de jumpers in de inrichting juist geplaatst zijn.

B - Onderhoud

Het onderhoud van de systeeminrichtingen vereist geen bijzondere zorg. Wel dient u iedere 6 maanden de toestand van alle inrichtingen na te gaan (vocht, oxidatie enzovoort), de buitenkant te reinigen en opnieuw het systeem te testen zoals beschreven in het hoofdstuk “Eindtest”.

Bij inrichtingen met zonnecellen dient u tevens vaker ervoor te zorgen dat het opper-

vlak van de zonnecel goed schoon is om een goede werking en dus het efficiënt opladen van de batterij te garanderen. Alle systeemrichtingen zijn ontworpen om, onder normale omstandigheden, minstens 10 jaar te functioneren. Na deze periode is het raadzaam om onderhoudshandelingen vaker te verrichten.

B.1 - Batterijen vervangen

De oplaadbare batterij van de inrichtingen PHW, LLW en TCW2 kan na 4-5 jaar verliezen aan capaciteit en vaker lege batterijmeldingen veroorzaken (knipperende rode "A"-led geeft aan dat deze vervangen moet worden).

Niet oplaadbare batterijen van de TCW1-sensor dienen meteen te worden vervangen zodra het lege-batterijsignaal (rode "A"-led) wordt afgegeven.

Voor de vervanging van de batterijen in de diverse inrichtingen raadpleegt u **afb. 13, 14, 15** en de volgende waarschuwingen:

- zorg dat de geautomatiseerde aandrijving is uitgeschakeld voordat u te werk gaat;
- plaats de nieuwe batterijen en let hierbij op de juiste polariteit;
- controleer de werking van het systeem na plaatsing van de nieuwe batterijen, zoals beschreven in stap 05 en 06 van hoofdstuk 6, "Eindtest".

C - Afvalverwerking

Dit product is een integraal onderdeel van de automatisering en moet daarom tegelijkertijd worden afgedankt.

Net zoals voor de montage en installatie, dienen alle handelingen voor het demonteren en verwijderen aan het einde van de levensduur van dit product door gekwalificeerd personeel te worden uitgevoerd.

De materialen waaruit dit product bestaat kunnen deels gerecycled worden en deels verwijderd. Raadpleeg uw lokale instanties over de regels in uw gemeente voor de verwijdering en afvalverwerking van dit product. **Let op!** – Bepaalde onderdelen van het product kunnen verontreinigende of gevaarlijke stoffen bevatten die schadelijke gevolgen voor het milieu of de volksgezondheid kunnen hebben.

Zoals door het hiernaast weergegeven symbool wordt aangegeven, is het verboden om dit product bij het huishoudelijk afval af te voeren. Zorg dus voor een gescheiden afvalinzameling en verwerking zoals voorgeschreven in uw gemeente, of lever uw oud product in bij de aanschaf van een nieuwe. Plaatselijk geldende voorschriften kunnen voorzien in zware sancties voor gevallen van illegale verwijdering van dit product.

Let op! – Het product werkt met batterijen die verontreinigende stoffen kunnen bevatten en daarom niet met het huishoudelijk afval mogen worden afgevoerd. Verwijder oude batterijen uit het product en lever ze gescheiden in volgens de voorschriften van uw gemeente.



D - Technische specificaties

- Ten behoeve van een continue verbetering van haar producten behoudt Nice S.p.a. zich het recht de technische specificaties op elk gewenst moment en zonder voorafgaande mededeling te wijzigen, waarbij de functionaliteit en de toepassing echter gehandhaafd blijven. • Alle technische specificaties zijn gebaseerd op een temperatuur van 20° C.

"BlueBUS"-interface IBW

- **Type:** apparaat gemonteerd op het vaste gedeelte van de geautomatiseerde aandrijving en bedraad met het besturingssysteem. Het wordt gebruikt voor de draadloze ontvangst van de status van de sensoren in de fotocellen, contactlijsten, enzovoort en voor verzending van opdrachten zoals bijvoorbeeld inschakeling van het signaleringslicht.
- **Toegepaste technologie:** ontvangst/verzending van gegevens via radio op de frequentie van 868 MHz.
- **Voeding:** middels aansluiting op de "BlueBUS"-klem van de besturingseenheid van de automatisering.
- **Opgenomen vermogen:** 0,65 W
- **Nuttig radiobereik:** 20 m (*)
- **Maximaal radiobereik (onder optimale omstandigheden):** 40 m
- **Veiligheidscategorie voor bescherming tegen storingen:** 2, conform norm EN 13849-1, onder voorbehoud dat het besturingssysteem waarop deze geïnstalleerd wordt, geschikt is om deze veiligheidscategorie te waarborgen voor de gehele automatisering.
- **Gebruik in zure of zilte omgeving, of in een omgeving met explosiegevaar:** nee
- **Montage:** aan de binnenkant van de geautomatiseerde aandrijving of in gesloten beschermhouders.
- **Beschermingsgraad van de houder:** IP30
- **Bedrijfstemperatuur:** -20 ÷ +70° C
- **Afmetingen (mm):** 18 x 33 x 40
- **Gewicht (g):** 25
- **Maximaal aantal cycli/bewegingen per dag:** 15, bij manoeuvres van maximaal 1 minuut.

Opmerking: (*) - Het bereik van de ontvangst-/zendapparatuur kan worden beïnvloed door andere apparaten die in de buurt van dezelfde frequentie worden gebruikt (bijvoorbeeld draadloze hoofdtelefoons, alarmsystemen, enzovoort), waardoor interferentie in het systeem wordt veroorzaakt. Bij zware storingen kan fabrikant geen garantie bieden over het werkelijk bereik van de radio-apparatuur.

De technische specificaties van de inrichtingen PHW, LLW, TCW1, TCW2 zijn opgenomen in de corresponderende gebruikershandleidingen.

CE-verklaring van overeenstemming

Verklaring conform Richtlijn 1999/5/CE

Opmerking: De inhoud van deze verklaring komt overeen met hetgeen is vastgelegd in het officiële document dat is gedeponneerd ten kantore van Nice S.p.a., en in het bijzonder met de laatste herziene en beschikbare versie ervan, vóór het drukken van deze handleiding. De hier gepresenteerde tekst is herzien om redactionele redenen. Een copie van de oorspronkelijke verklaring kan worden aangevraagd bij Nice S.p.a. (TV) Italië.

Nummer: **412/IRW**; Revisie: **0**; Taal: **NL**

Ondergetekende Luigi Paro verklaart onder zijn verantwoordelijkheid als Gedelegeerd Directeur dat het product: • **naam fabrikant:** NICE S.p.A. • **adres:** Via Pezza Alta 13, 31046 Rustignè di Oderzo (TV) Italië; • **type product:** interface tussen BlueBUS-systeem en de inrichtingen, met bidirectionele Solemyo Air Net System-radiotechnologie • **model / type:** IBW • **accessoires:** nr.,

voldoet aan de essentiële vereisten uit artikel 3 van de volgende Richtlijn van de Europese Unie met betrekking tot het beoogde gebruik van de producten:

• Richtlijn 1999/5/CE VAN HET EUROPEES PARLAMENT EN VAN DE EUROPESE RAAD van 9 maart 1999 met betrekking tot radioapparatuur en eindapparatuur voor communicatie en de wederzijdse erkenning van hun conformiteit, op basis van de volgende geharmoniseerde normen: • Bescherming van de gezondheid (art. 3(1)(a)): EN 50371:2002 • Elektrische veiligheid (art. 3(1)(a)): EN 60950-1:2006+A11:2009 • Elektromagnetische compatibiliteit (art. 3(1)(b)): EN 301 489-1 V1.8.1:2008, EN 301 489-3 V1.4.1:2002 • Radiospectrum (art. 3(2)): EN 300 220-2 V2.3.1:2010

Op basis van Richtlijn 1999/5/CE (bijlage V) valt het product onder Klasse 1 en het keurmerk: **CE 0682**

Bovendien voldoet het product aan het geen wordt voorzien door de volgende richtlijnen van de gemeenschap:

• RICHTLIJN 2004/108/CE VAN HET EUROPEES PARLEMENT EN DE RAAD VAN DE EUROPESE UNIE van 15 december 2004 betreffende de onderlinge aanpassing van de wetgevingen van de lidstaten inzake electromagnetische compatibiliteit en tot wijziging van richtlijn 89/336/EEG, volgens de hieropvolgende geharmoniseerde normen: EN 61000-6-2:2005, EN 61000-6-3:2007

Bovendien voldoet het volledig of gedeeltelijk (voor de toepasselijke onderdelen) aan de vereisten van de volgende normen: EN 13849-1:2008; EN 13849-2:2008; EN 13241-1:2004; EN 12453:2002; EN 12445:2002; EN12978:2003 + A1:2009

Oderzo, 05.07.11

Ing. **Luigi Paro**
(Gedelegeerd/Directeur)



EN - Appendix

IT - Appendice

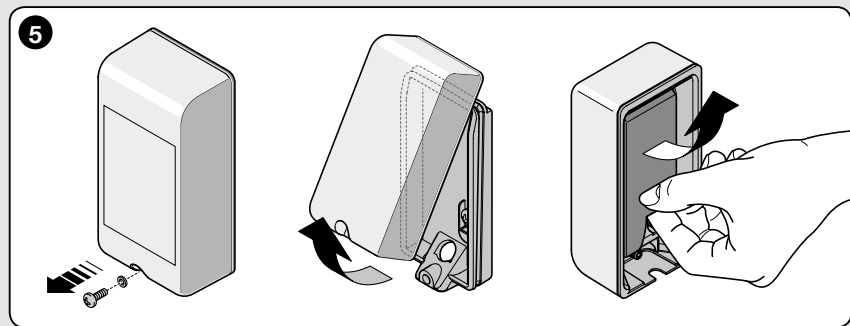
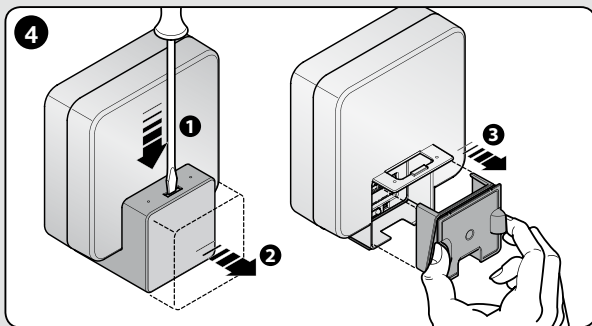
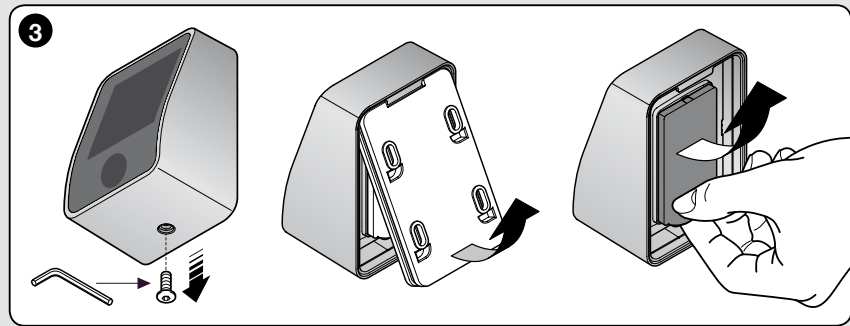
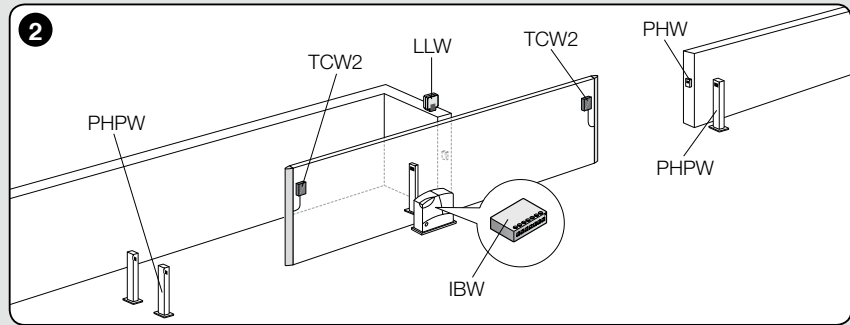
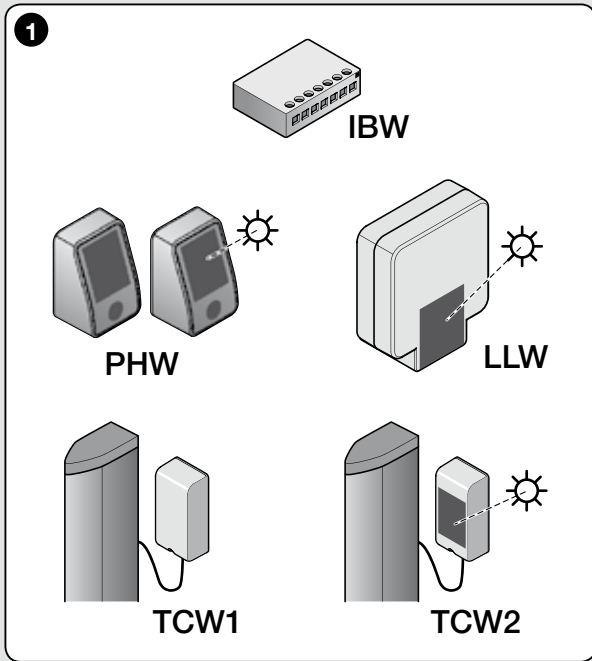
FR - Appendice

ES - Apéndice

DE - Anhang

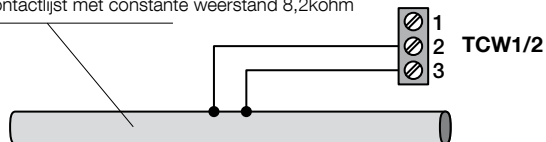
PL - Załącznik

NL - Bijlage

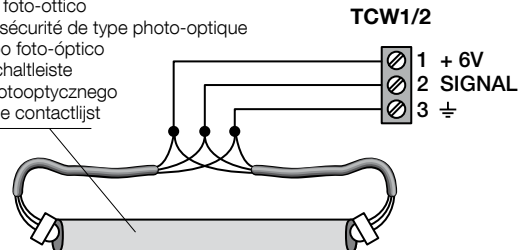
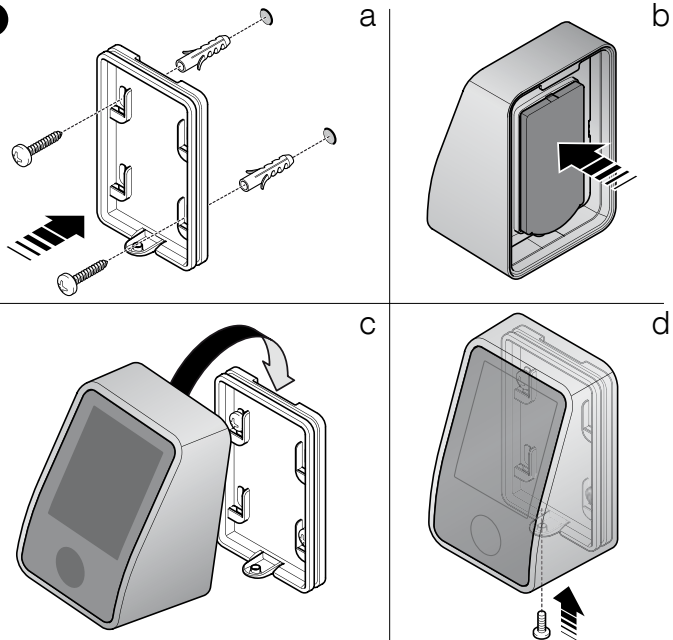
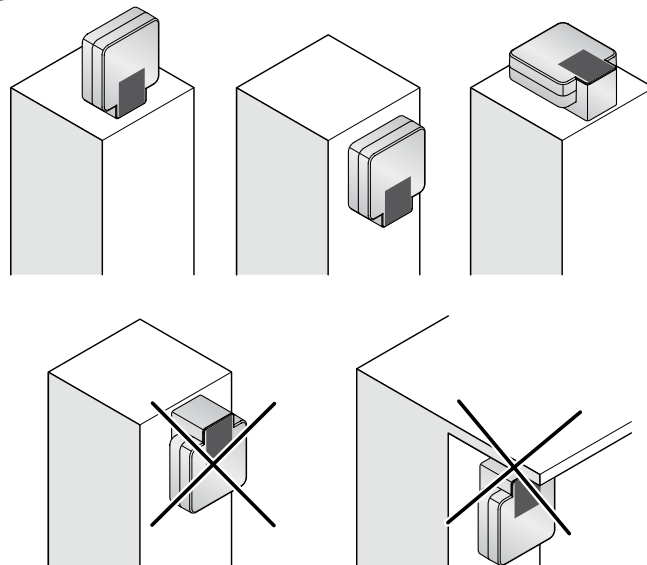


6

EN - constant resistance 8,2 kohm edge
 IT - bordo di tipo a resistenza costante 8,2kohm
 FR - Tranche de sécurité de type à résistance constante 8,2 ohms
 ES - borde de tipo de resistencia constante 8,2kohm
 DE - Schaltleiste mit konstantem Widerstand 8,2 K Ohm
 PL - listwa o stałym oporze 8,2 kilooma
 NL - contactlijst met constante weerstand 8,2kohm



EN - photo-optical edge
 IT - bordo di tipo foto-ottico
 FR - Tranche de sécurité de type photo-optique
 ES - borde de tipo foto-óptico
 DE - Optische Schaltleiste
 PL - listwa typu fotooptycznego
 NL - foto-optische contactlijst

**7****8**

EN

IT

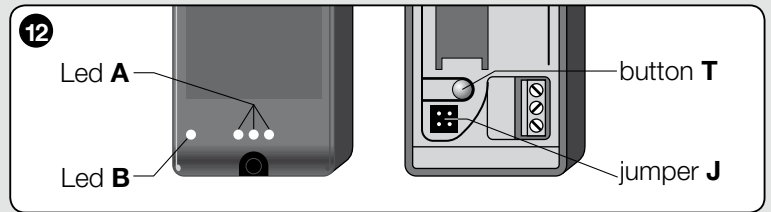
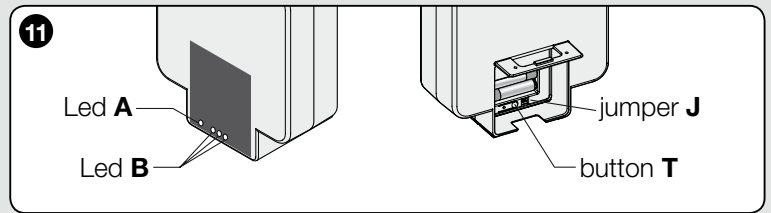
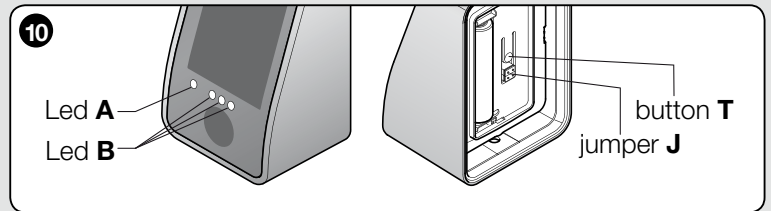
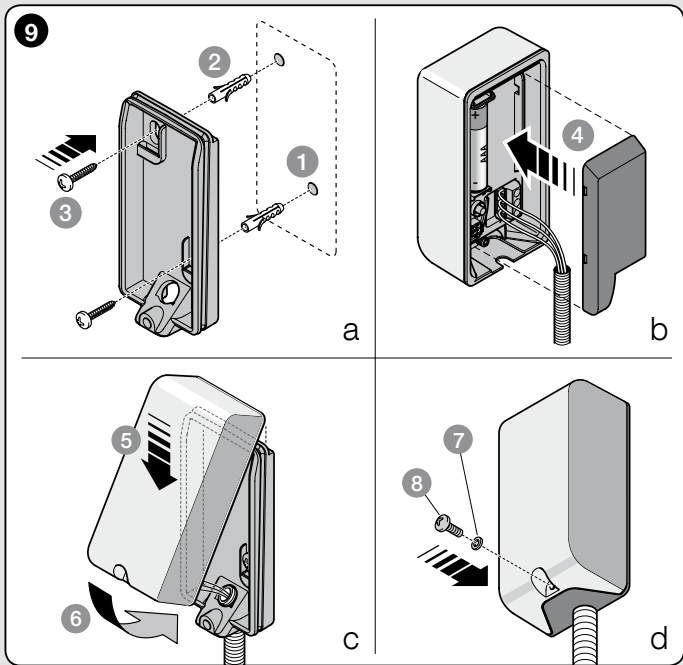
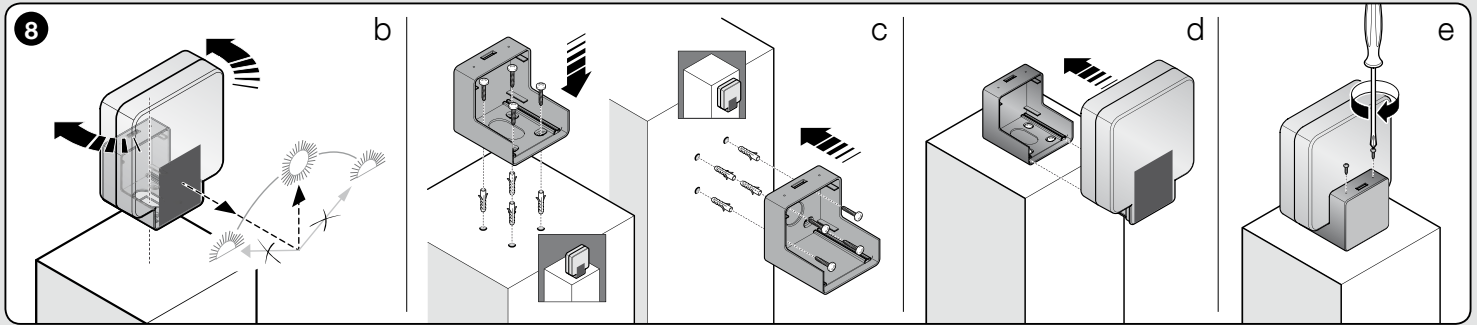
FR

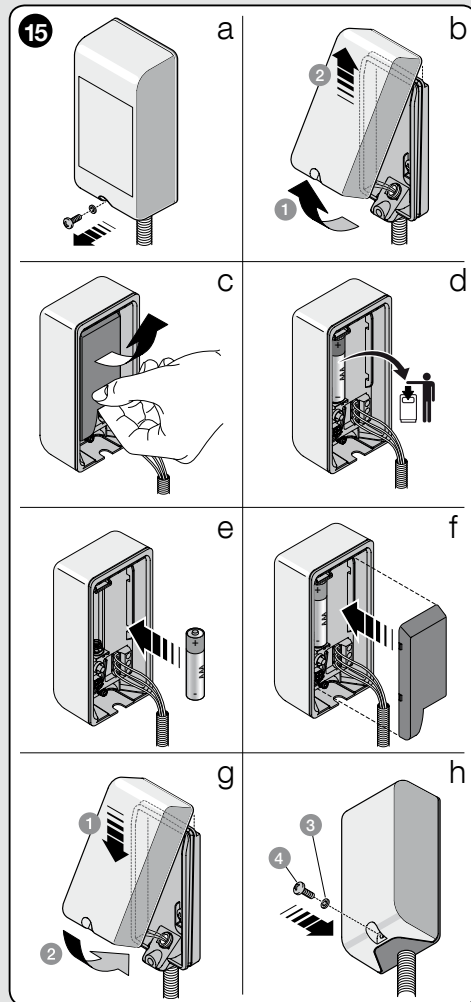
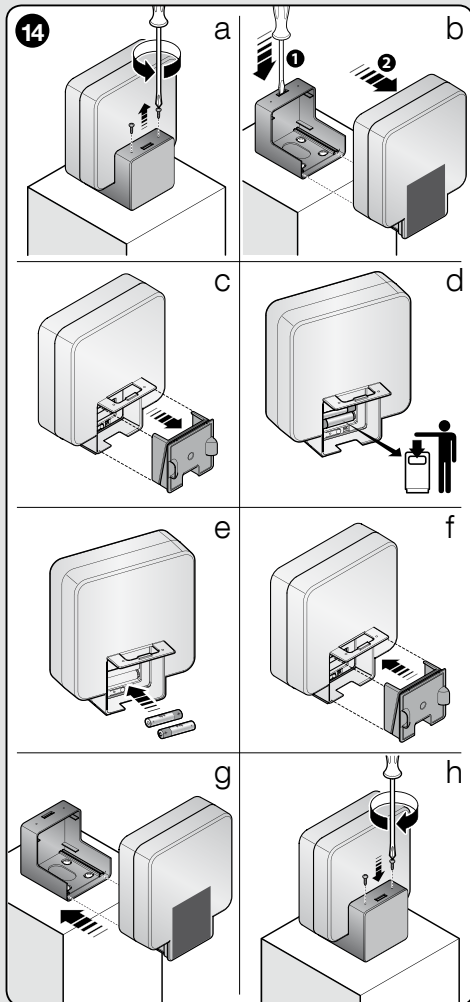
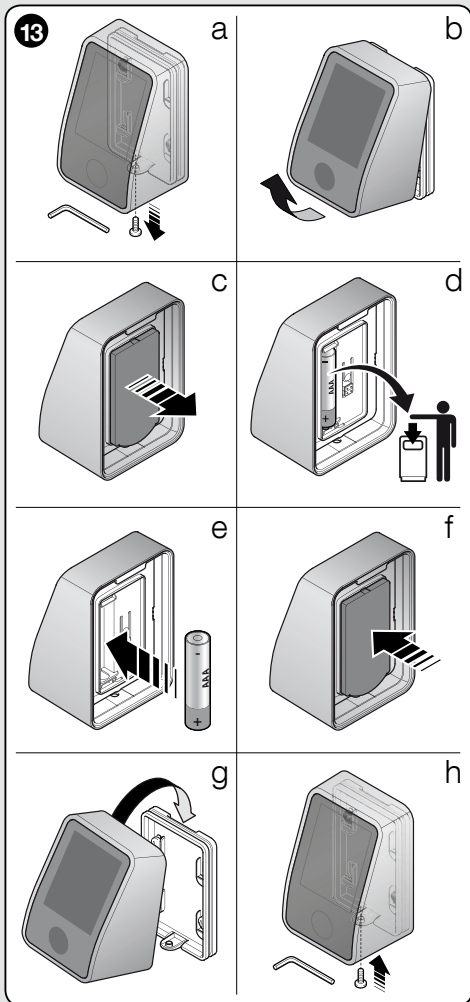
ES

DE

PL

NL







Nice

Nice SpA
Oderzo TV Italia
info@niceforyou.com

www.niceforyou.com