

## Balanced rolling door opener

**EN** - Instructions and warnings for installation and use

**IT** - Istruzioni ed avvertenze per l'installazione e l'uso

**FR** - Instructions et avertissements pour l'installation et l'utilisation

**ES** - Instrucciones y advertencias para la instalación y el uso

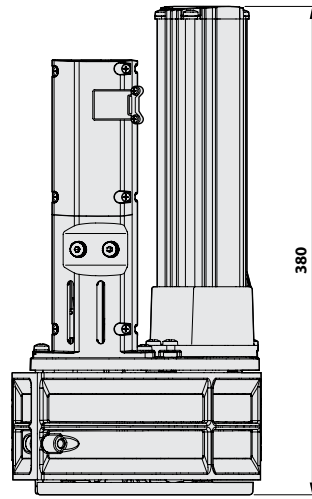
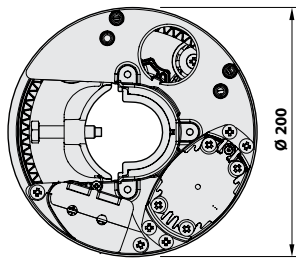
**DE** - Installierungs-und Gebrauchsanleitungen und Hinweise

**PL** - Instrukcje i ostrzeżenia do instalacji i użytkowania

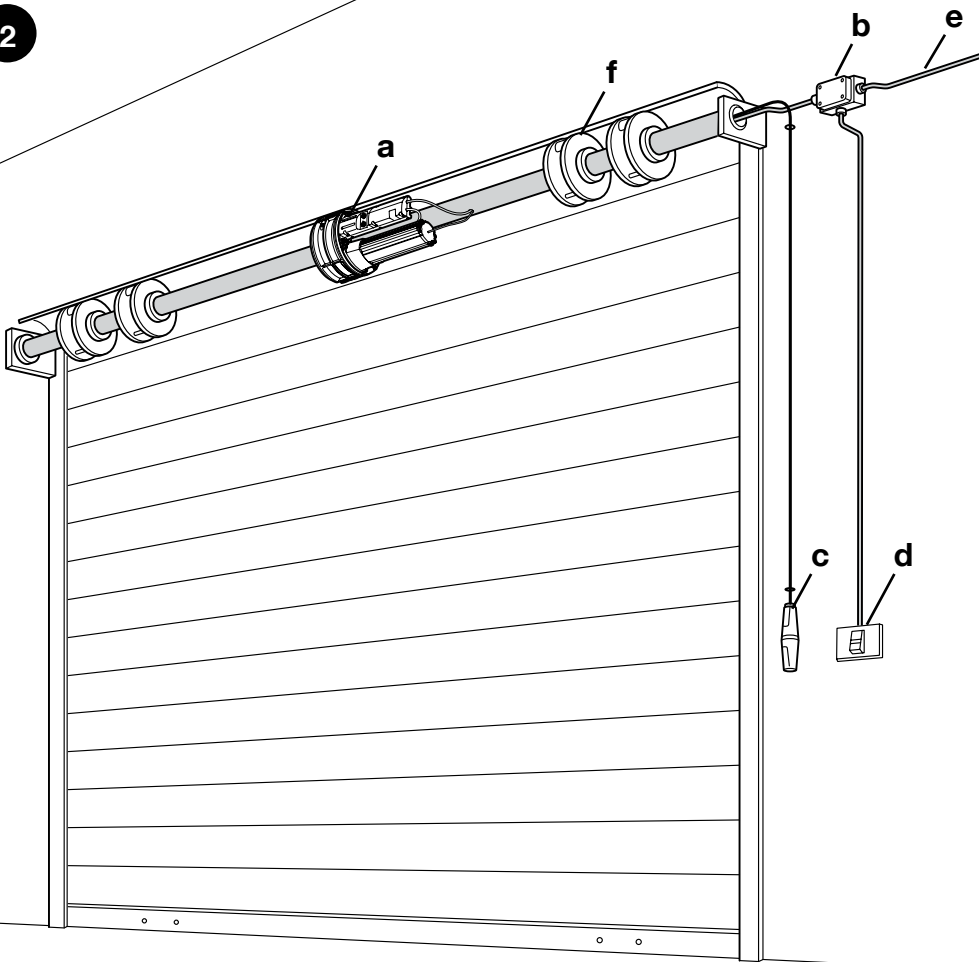
**NL** - Aanwijzingen en aanbevelingen voor installatie en gebruik

**TR** - Kurulum ve kullanım talimatları ve uyarılar

1

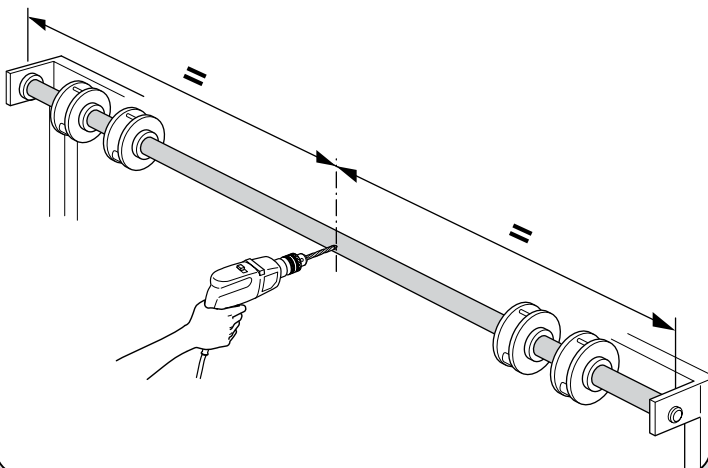


2

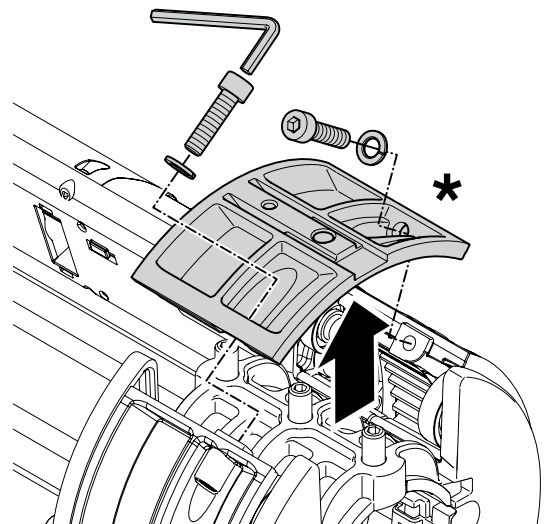


- ★ = opzionale (IT)
- EN optional
- FR optionnel
- ES opcional
- DE optional
- PL fakultatywny
- NL facultatief
- TR opsiyonel

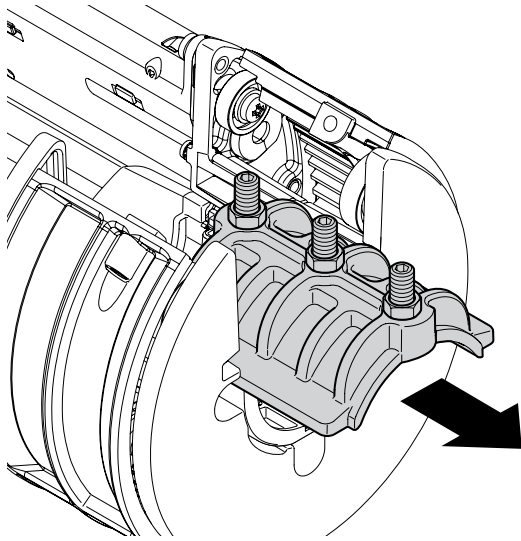
3



4

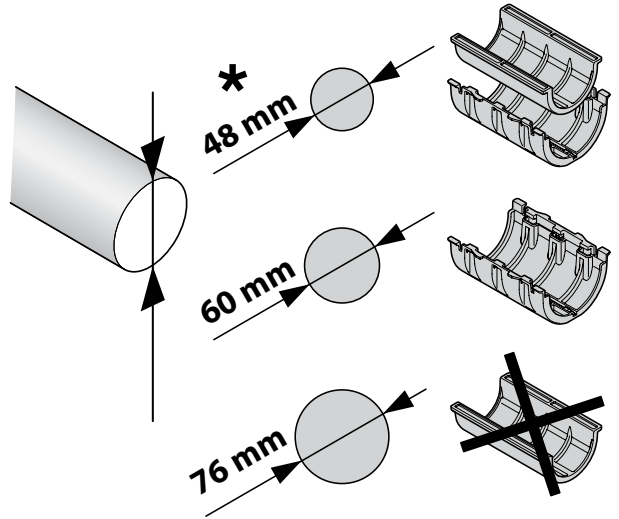


5

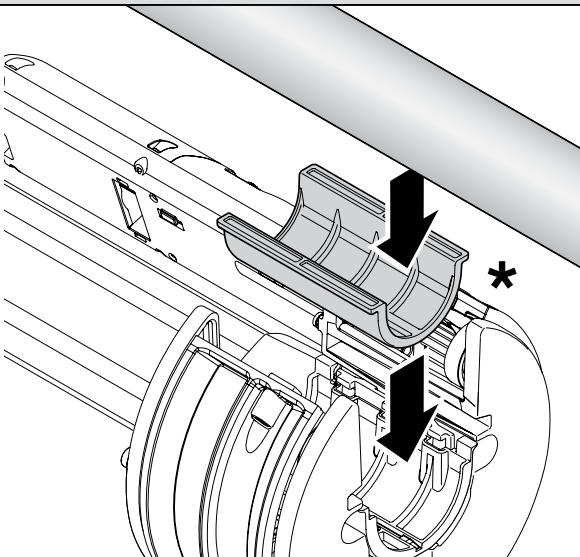


6

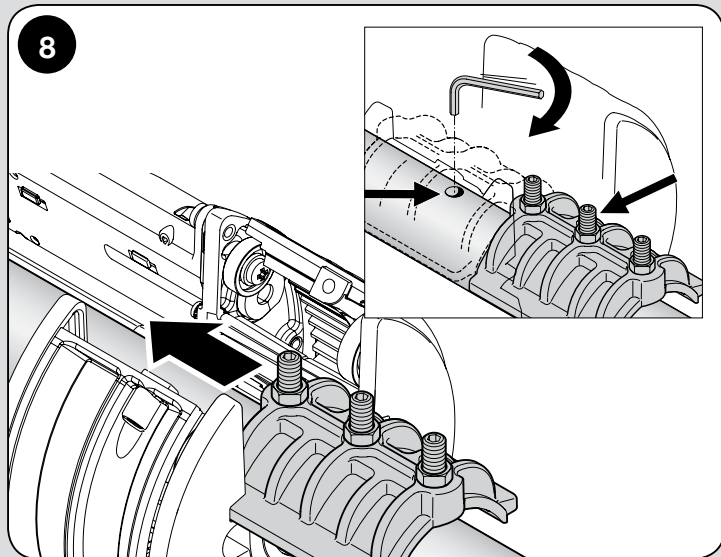
★ = opzionale (IT)  
 EN optional  
 FR optionnel  
 ES opcional  
 DE optional  
 PL fakultatywny  
 NL facultatief  
 TR opsiyonel



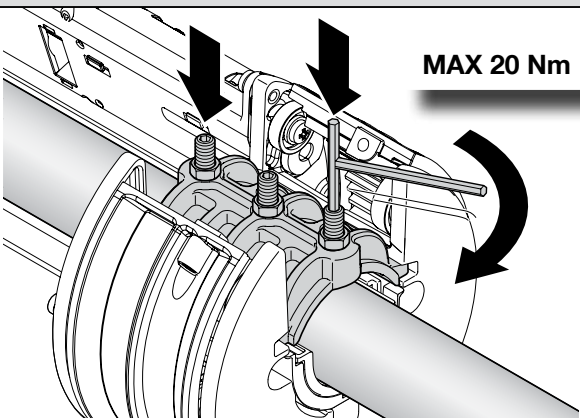
7



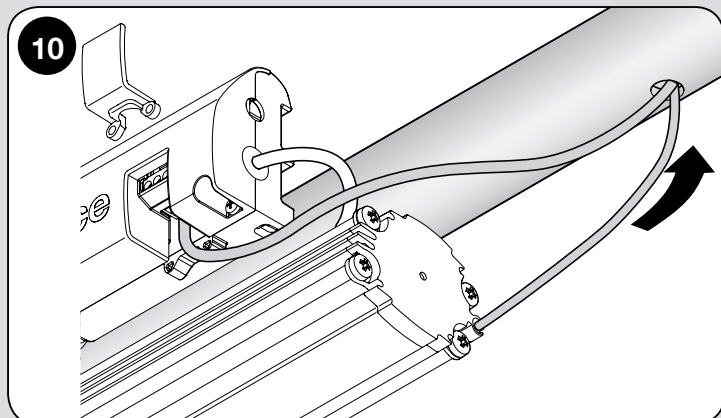
8



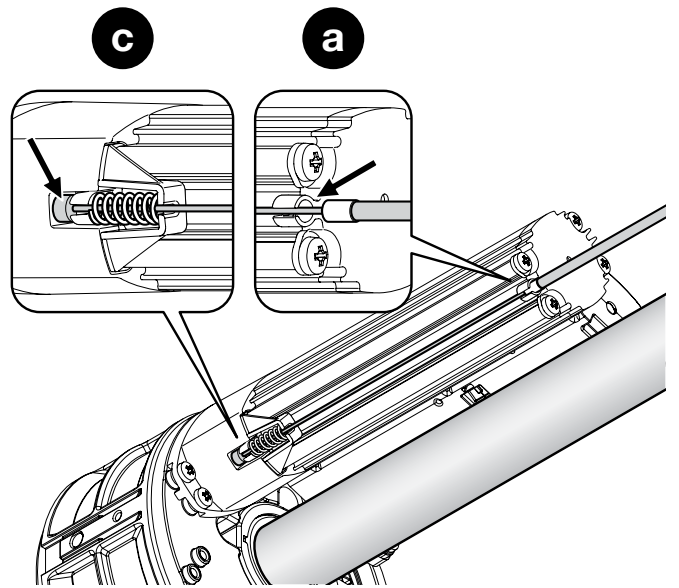
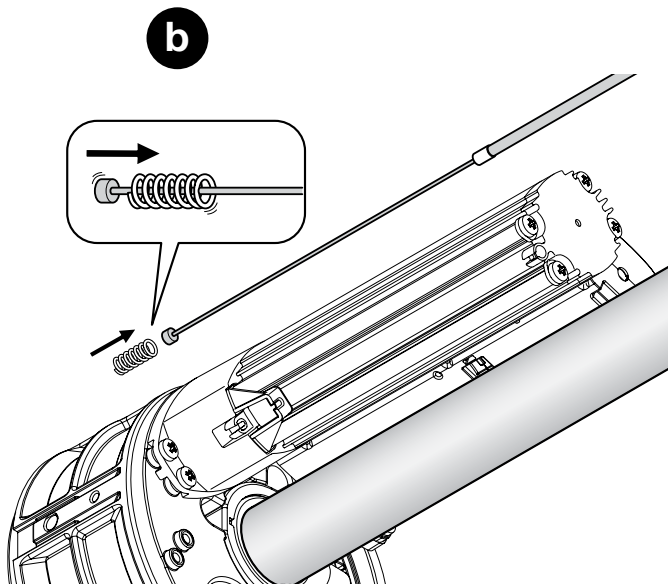
9



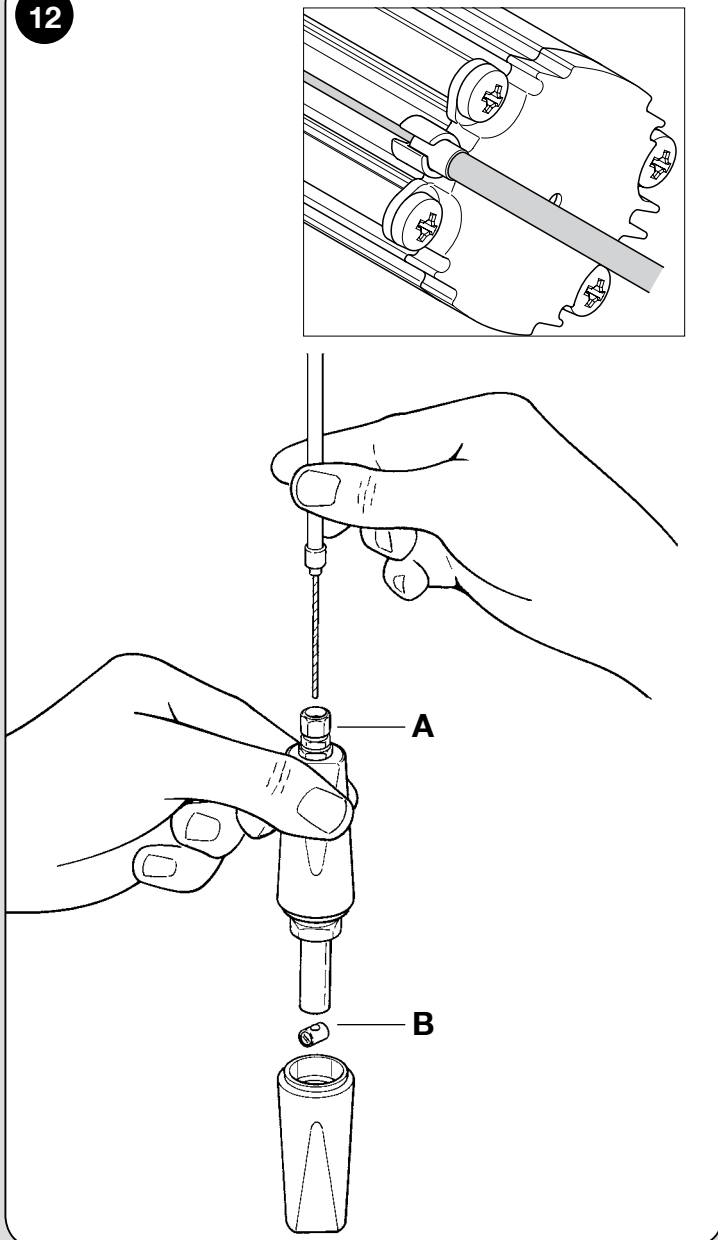
10



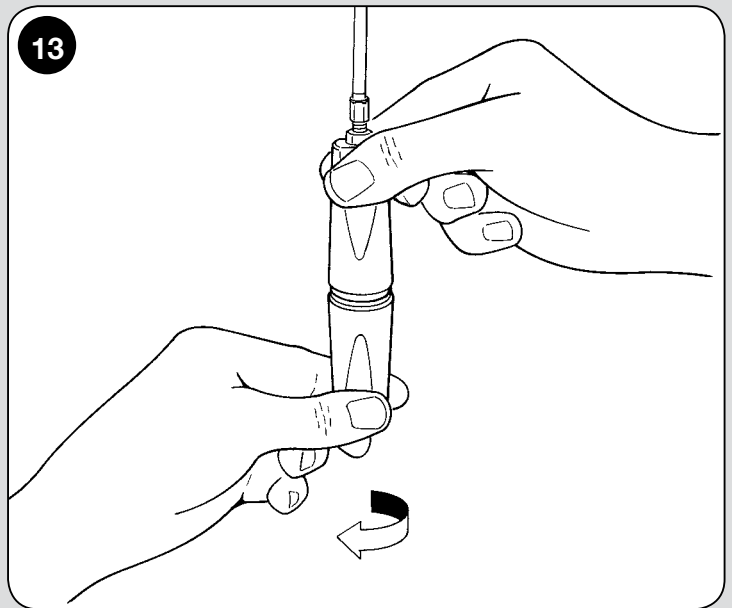
11



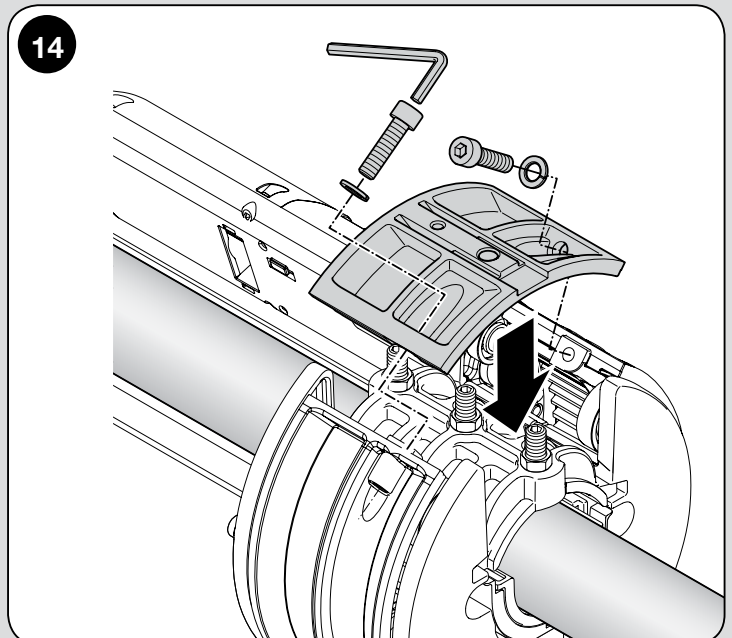
12

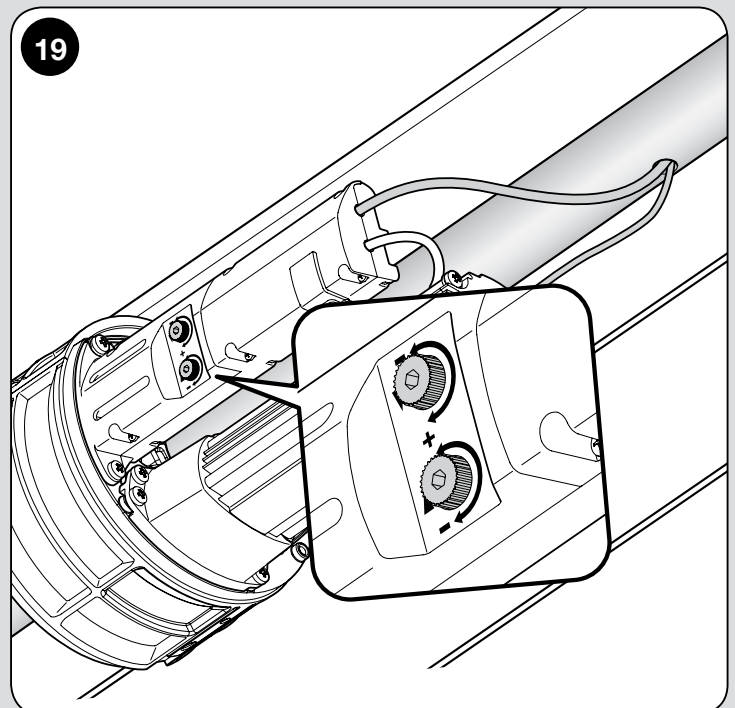
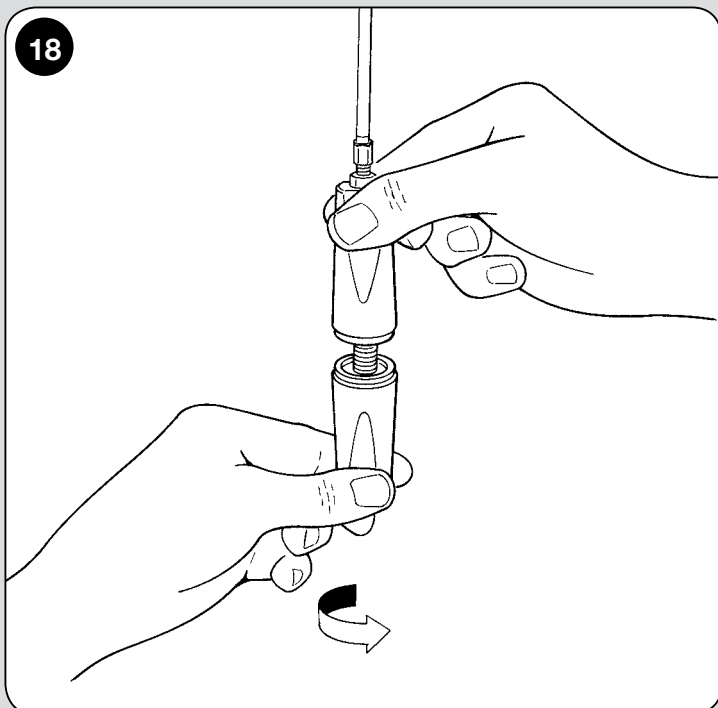
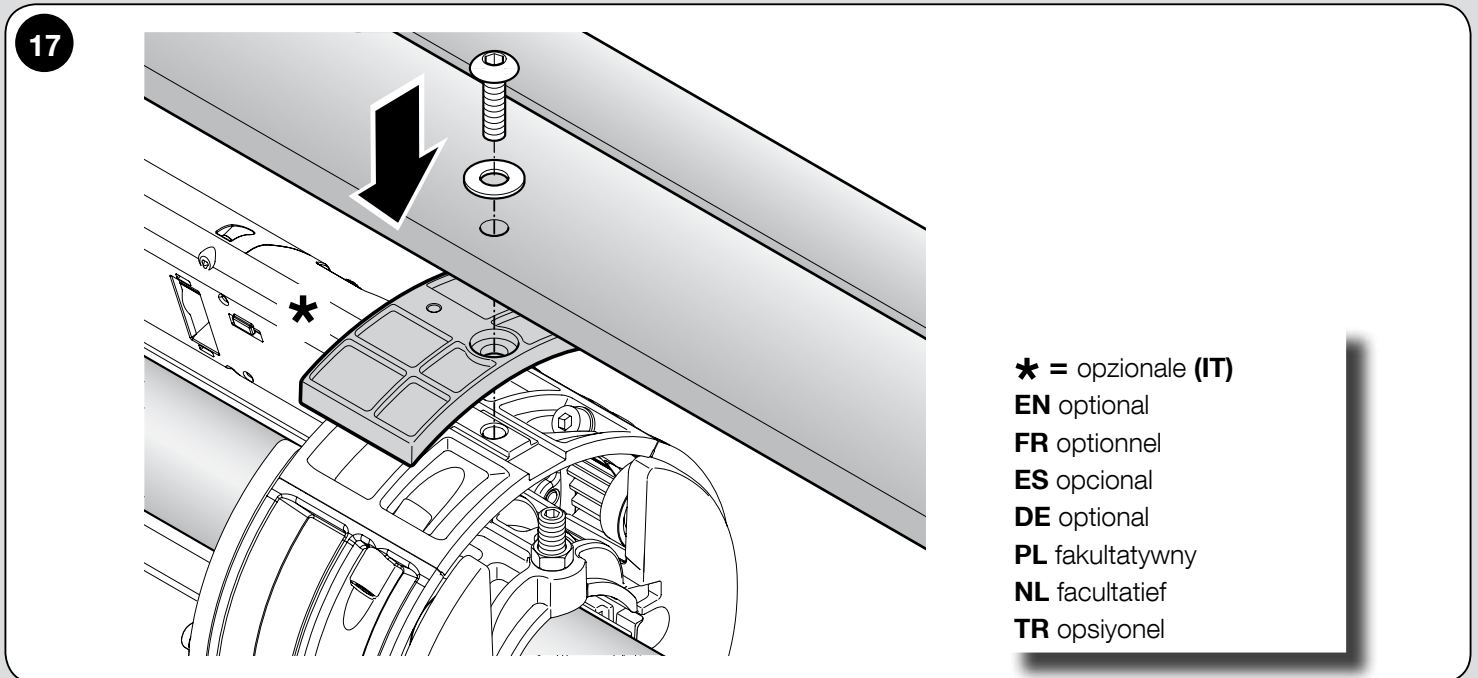
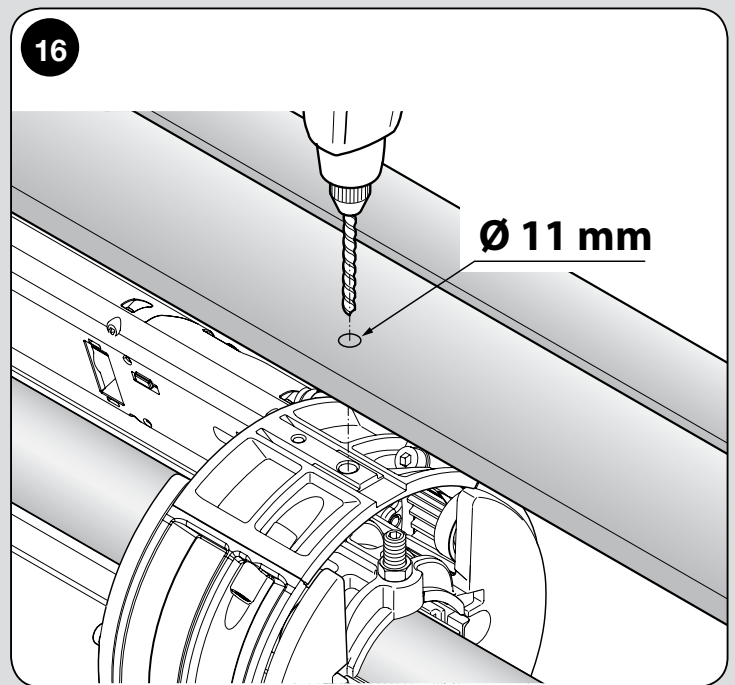
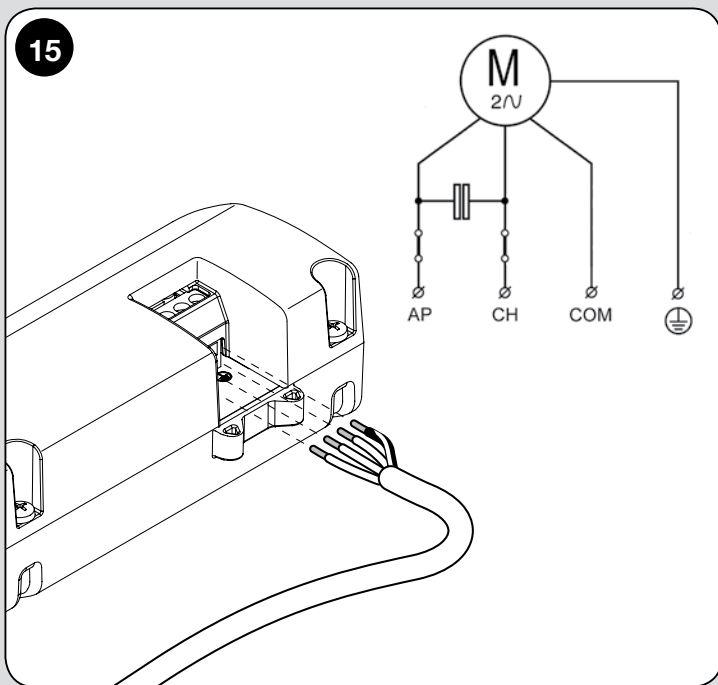


13



14





# Contents

<b>Chapter 1 - WARNINGS AND GENERAL PRECAUTIONS</b>	
1.1 - Safety instructions	1
1.2 - Installation warnings	1
<b>Chapter 2 - PRODUCT DESCRIPTION AND INTENDED USE</b>	2
<b>Chapter 3 - INSTALLATION</b>	
3.1 - Preliminary checks for installation	2
3.2 - Installation preparation works	2
3.3 - Installation of the gearmotor	2
3.4 - Limit switch adjustment	2
3.5 - Manual lock and release procedure (only for one way versions)	2
<b>Chapter 4 - TESTING AND COMMISSIONING</b>	
4.1 - Final testing	3
4.2 - Commissioning	3
<b>PRODUCT MAINTENANCE</b>	3
<b>PRODUCT DISPOSAL</b>	3
<b>TECHNICAL CHARACTERISTICS OF THE PRODUCT</b>	3
<b>Declaration of Conformity</b>	4
<b>Operation manual</b> (removable appendix)	5
<b>PICTURES</b>	I - IV
1 - English	

- ## 1.1 - Safety instructions
- **WARNING: - Important safety instructions.** It is important to follow these instructions to ensure the safety of people since an incorrect installation may cause serious injury. Read the instructions carefully before beginning work; in the event of doubt ask the Nice Service Centre for clarification.
  - **WARNING: - Keep these instructions for future product maintenance and disposal operations.**
  - **WARNING: - All the product installation, collection, programming and maintenance operations must be carried out exclusively by a skilled and qualified technician, in observance of local laws, standards, regulations and the instructions in this manual.**

- ## 1.2 - Installation warnings
- Before starting installation check whether the product is suitable for automating your rolling door (read paragraph 3.1). If not suitable, do NOT proceed with installation.
  - The product installation and maintenance operations must be performed with the automation mechanism disconnected from the power mains. As a precaution, before starting to work, put a sign on the disconnection device that says "ATTENTION! MAINTENANCE IN PROGRESS".
  - Before starting installation, remove all electrical cables that are unnecessary for the system; deactivate all the mechanisms which are not necessary for the motorised operation of the rolling door.
  - During installation, handle the product with care: avoid crushing, impact, dropping or contact with liquids of any type; do not drill or apply screws to the exterior of the motor; never place the product near sources of heat or expose to naked flames. All these actions could damage the product and cause malfunctions or hazardous situations. In these cases, suspend installation immediately and contact the Nice Service Centre.
  - Do not dismantle the product except to perform the operations described in this manual.
  - Do not make any changes to any part of the product except those reported in this manual. Operations other than as specified can only cause malfunctions. The manufacturer declines all liability for damage caused by makeshift modifications to the product.
  - When assembling the system, keep people far away from the rolling door when it is moving.
  - The product's packaging materials must be disposed of in full compliance with local regulations.

- ## 1.3 - Use warnings
- This product is not intended to be used by persons (including children) whose physical, sensorial or mental capacities are reduced, or who lack the necessary experience or skill, unless suitable instructions on how to use the product have been given through the mediation of a person who is responsible for their safety, monitoring and the instructions on how to use the product.
  - Children must be observed to ensure they do not play with the automation.
  - Do not allow children to play with fixed control devices. Keep remote (portable) control devices out of reach of children.
  - When performing manoeuvres, keep a check on the automation and keep all people at a safe distance until the movement has been completed.
  - Do not control the automation if in its vicinity there are people working such as cleaning the glass; unplug it before performing these works.
  - Frequently check the automation for any signs of wear, damage and off-balance. Do not use the product if it needs to be adjusted or repaired; contact specialised technical personnel to solve these problems.

## 2 PRODUCT DESCRIPTION AND INTENDED USE

GIRO is a gearmotor for spring balanced rolling door openers. It lets you automate rolling doors with a max height of 6 m and a weight up to 170 kg.

**Any other use is absolutely prohibited! The manufacturer is not liable for damage resulting from any use of the product other than the intended use specified in this manual.**

Giro may be installed on rolling doors with a spring shaft diameter of 200 mm and 220 mm (240 mm optional). The spring boxes may have a diameter of 200/240 mm. The two ring nuts are made of die cast aluminium.

Giro is available in the following versions:  
 - GR170 and GR170/V1 one way versions  
 - GR170R reversible versions

Giro features a micrometric screw limit switch and a mechanical position memory.

Accessories available: it is possible to install a 2nd gearmotor (model GRA01, GRA01/V1 and GRA01R) to take the maximum torque to 340 Nm; please refer

to the related instruction manual. KIO, key-operated selector switch with chain release. Adapters for spring box of 240 mm, spring shaft with diameter of 48 mm.

## 3 INSTALLATION

### 3.1 - Preliminary checks for installation

**Warning! - The installation of the motor must be carried out by qualified personnel, in compliance with current legislation, standards, regulations and these instructions.**

Before starting the installation, make the following checks:

- Check the integrity of the product components as soon as they are taken out of the package.
- Check the suitability of the motor selected by comparing its nominal technical characteristics with the technical characteristics of your rolling door; therefore, **DO NOT install the motor if its characteristics (nominal torque, rotation speed and operation time) are not suitable to drive your rolling door. In particular, the motor torque MUST NOT EXCEED the one required to move the rolling door.** Additional limitations on use are contained in the section "Technical characteristics".
- In cases of outdoor installation, make sure the motor is adequately protected against atmospheric agents.
- Check that the rolling door is well balanced: i.e. it must not move if left stationary in any position.
- Check that the rolling door does not have points of increased friction, during both the closing and opening movement.
- Check that the rolling door follows a route with a regular and silent movement during its travel.
- Check that the installation area is compatible with the size of the motor **fig. 1**.
- On the power line to the system, install a device for disconnection from the power mains with a gap between contacts that assures complete disconnection in the conditions of overvoltage category III.

### 3.2 - Installation preparation works

Fig. 2 shows an example of an automation system set up with **Nice components**:

- a** - Giro gearmotor
- b** - Junction box
- c** - Release knob (only for one way versions)
- d** - Control inverter or electronic control unit
- e** - Electrical power line
- f** - Spring box

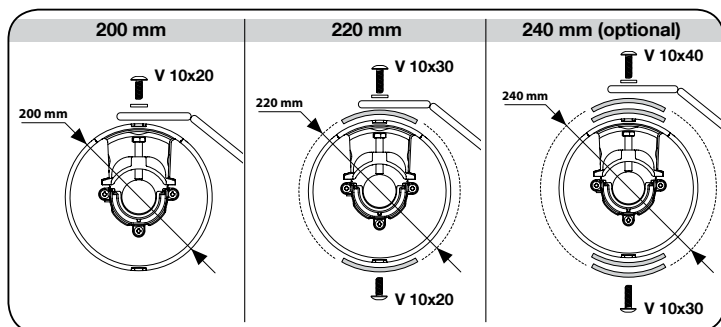
These components are positioned according to a typical and usual layout. With reference to **fig. 2**, establish the approximate position where each component included in the system will be installed. **Important** – Before the installation, prepare the electrical cables necessary for your system, see **fig. 2**.

### 3.3 - Installation of the gearmotor

#### WARNINGS

- **An incorrect installation may cause serious injury to the person who carries out the work and the people who will use the system.**
- **Before starting to assemble the automation, carry out the preliminary checks described in paragraphs 3.1 and 3.2.**

01. Completely close the rolling door to make the spring shaft accessible; make a through hole with a 9 mm diameter on it (**fig. 3**).
02. Remove the small semi-bush by unscrewing the two M8 screws (**fig. 4**) and remove the collar underneath (**fig. 5**).
03. Measure the diameter of the spring boxes:
  - if the diameter equals 200 mm, continue with the installation.
  - if the diameter equals 220 mm or 240 mm (optional), use the suitable adapter **fig. 6**.



04. Measure the diameter of the spring shaft:
  - If the diameter equals 76 mm, continue with the installation.
  - If the diameter equals 60 mm, apply the adapters supplied (**fig. 6 and 7**)

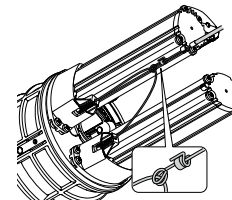
and then continue with the installation.

- If the diameter equals 48 mm (optional), apply the adapters (optional) not supplied (**fig. 6 and 7**) and then continue with the installation.

05. Position the gearmotor in the spring shaft and block it with the aid of the collar (**fig. 8**).
06. Tighten the central grain (M10) making it pass through the hole made previously in the spring shaft (point 01), see **fig. 9**.
07. Secure the gearmotor to the spring shaft by screwing the two external grains (M10); then, lock all three grains with the nuts (**fig. 9**).
08. Make a hole on the spring support shaft, to allow for the cables to pass through it (**fig. 10**).

for <b>one way</b> versions	for <b>reversible</b> versions
09. Thread the power supply cable and the manual release cable through the hole.	09. Thread the power supply cable through the hole and go straight to <b>point 13</b>

10. Then, insert the steel cable for the manual release, into the holder provided, by passing the terminal through the inside of the spring (**fig. 11**); then, remove the ring and then reinsert it. For the version with two motors, connect the terminal of the release cable to the spring as indicated in the figure.
11. Assemble the release knob with all the adjustment knobs tightened (**A**) **fig. 12**; then, insert the cable and, keeping it powered, lock it with the terminal (**B**) **fig. 12**.
12. Perform the manual release manoeuvre: unscrew the lower knob clockwise (**fig. 13**); manually check that the gearmotor is released. If necessary, act on the adjustment knobs to eliminate the excess space.
13. Manually check that the gearmotor is released. If necessary, act on the adjustment knobs to eliminate the excess space.
14. Slightly grease the teeth of the small semi-bush previously disassembled (point 02) and assemble the two screws (M8), tightening them completely (**fig. 14**). Assemble any external adapter on the semi-bush, as in point 04.
15. Make the electrical connections as shown in **fig. 15**.
16. On the highest part of the rolling door, make a hole with a diameter of 11 mm and secure this part in the external hole of the gearmotor **fig. 16**.
17. Lock down the canvas of the rolling door to the gearmotor using the screw (M10) and washer (**fig. 16**).



### 3.4 - Limit switch adjustment

01. Carry out the manual release manoeuvre by unscrewing the lower knob clockwise (**fig. 13**) then, manually make an opening and closing manoeuvre of the rolling door; check that the latter follows a route with a regular and silent movement.
02. (**only for one way versions**) Lock the gearmotor by tightening the lower knob anti-clockwise (**fig. 18**).
03. Power the gearmotor and make an opening manoeuvre; check that the rolling door stops at the point desired. For greater precision, act on the adjusting rollers (**fig. 18**). The arrow indicates the direction of the rotation (the + symbol indicates an increase in the stroke).
04. Continue by making various attempts to find the desired position.

### 3.5 - (only for one way versions) Manual lock and release procedure

**Important!** - The manual lock and release manoeuvres of the gearmotor must be carried out only with the gearmotor completely stopped.

Manual operation must be carried out only in case of power failure, system malfunctions or if expressly requested in the text of the instruction manual.

#### Releasing the gearmotor:

01. Loosen the lower part of the knob clockwise until you feel a certain resistance (**fig. 13**);
02. Manually open or close the rolling door.

#### Locking the gearmotor:

01. Tighten the lower part of the knob anti-clockwise until you feel a certain resistance (**fig. 17**).

**Important!** - If, after release of the motor, the shutter is moved manually and the thresholds already set for adjusting the limit switch are exceeded, these will be updated automatically with the new positions.

## 4 TESTING AND COMMISSIONING

### 4.1 - Testing

These are the most important phases of automation set-up for ensuring maximum system safety. The test can also be performed as a periodic check of automation devices. Testing and commissioning of the automation must be performed by skilled and qualified personnel, who are responsible for the tests required to verify the solutions adopted according to the risks present, and for ensuring observance of all legal provisions, standards and regulations, and in particular all requirements of the standard 12445, which establishes the test methods for checking automations for gates and doors.

Additional devices must undergo a specific test for functionality and correct interaction with GIRO; therefore, please refer to the instructions manuals of the individual devices.

01. Make sure that the provisions contained in chapter 1 "WARNINGS" have been carefully observed.
02. Check that the joints are in good condition, i.e. there are no breakages.
03. Check that the gearmotor is properly secured to the spring shaft.
04. Check that the screw connections are tightly secured.
05. Check that the electrical contacts are in good condition.
06. Check that the ring nuts do not feature excessive axial play.
07. Check the adjustment of the limit switches by making a complete manoeuvre (raise-lower).
08. Check that the gearmotor, locked at any point, does not show any sign of movement.
09. **(only for one way versions)** Check that the release easily disengages the gearmotor from the rolling door.

### 4.2 - Commissioning

Commissioning can only be performed after positive results of all test phases.

01. Prepare and store for at least 10 years the technical documentation on the automation, which must at least include: an overall drawing of the automation, the wiring diagram of all connections made, an assessment of all risks present and relative solutions adopted, declaration of conformity of the manufacturer of all the devices used (for Giro use the CE Declaration of Conformity attached); a copy of the instruction manual and the automation maintenance schedule.
02. Post a label on the door providing at least the following data: type of automation, name and address of manufacturer (person responsible for the "commissioning"), serial number, year of manufacture and "CE" marking.
03. Post a permanent label or sign detailing the operations for the release and manual manoeuvre near the door.
04. Prepare the declaration of conformity for the automation and deliver it to the owner.
05. Prepare the "Instructions and warnings for using the automation" manual and deliver it to the owner.
06. Prepare the maintenance schedule of the automation and deliver it to the owner (it must contain all the maintenance instructions for the individual devices).

07. Before commissioning the automation, ensure that the owner is adequately informed in writing of all associated risks and hazards (e.g. on the instructions and warnings for using the automation manual).

## PRODUCT MAINTENANCE

Scheduled maintenance every 6 months is necessary to keep the safety level constant and to guarantee the maximum duration of the entire automation.

**WARNING: – Maintenance operations must be performed in strict compliance with the safety directions provided in this manual and according to applicable legislation and standards.**

01. Disconnect any electric power supply, including any buffer batteries.
02. Check the state of deterioration of all the materials in the automation system, paying special attention to cases of erosion or oxidation of the structural parts; replace the parts that do not provide sufficient guarantee.
03. Check the state of wear of the moving parts.
04. Reconnect the power supplies and carry out all the tests and checks included in paragraph "4.1 Testing".

## PRODUCT DISPOSAL

**This product is an integral part of the automation system it controls and must be disposed of along with it.**

As in installation operations, at the end of the product's lifespan, disposal operations must be performed by qualified personnel.

The product is made of various types of materials: some of them may be recycled, while others must be scrapped. Find out about recycling and disposal systems in use in your area for this product category.

**Warning!** – some parts of the product may contain polluting or hazardous substances which, if released into the environment, may cause serious damage to the environment or to human health.

As indicated by the symbol appearing here, the product may not be disposed of with other household wastes. Separate the waste into categories for disposal, according to the methods established by current legislation in your area, or return the product to the retailer when purchasing a new version.

**Warning!** – Local legislation may impose heavy fines in the event of illegal disposal of this product.



## TECHNICAL CHARACTERISTICS OF THE PRODUCT

**WARNINGS:** • All technical characteristics stated in this section refer to an ambient temperature of 20°C (± 5°C). • Nice S.p.a. reserves the right to apply modifications to products at any time when deemed necessary, maintaining the same intended use and functionality.

**Note:**

- **GR170 and GR170/V1 one way versions**
- **GR170R reversible versions**

MODEL	GR170 GR170R	GR170/V1	GR340	GR340/V1
Power supply / frequency	230V / 50Hz	120V / 60Hz	230V / 50Hz	120V / 60Hz
Current absorption	1,9 A	4 A	3,3 A	7,6 A
Power absorption	430 W	455 W	800 W	900 W
Max torque	170 Nm	170 Nm	340 Nm	340 Nm
Max lifting force with Ø 200mm	170 kg	170 kg	340 kg	340 kg
Rolling door shaft standard diameter	76 mm*	76 mm*	76 mm*	76 mm*
Rolling flange diameter	200 mm**	200 mm**	200 mm**	200 mm**
Crown rotation speed (empty)	8 RPM	10 RPM	8 RPM	10 RPM
Operating ambient temperature	-20°C ÷ 50°C	-20°C ÷ 50°C	-20°C ÷ 50°C	-20°C ÷ 50°C
Protection rating	IP 20	IP 20	IP 20	IP 20
Thermal protector	100°C	100°C	100°C	100°C
Continuous operation time	4 minutes	40 s on 40 s off	4 minutes	40 s on 40 s off
Max number of daily manoeuvres	10 (non consecutive)	10 (non consecutive)	10 (non consecutive)	10 (non consecutive)
Weight	7 kg	7 kg	10,5 kg	10,5 kg
* 60 mm with adapter supplied - 48 mm with optional adapter				
** 220 with provided adapter - 240 with optional adapter				



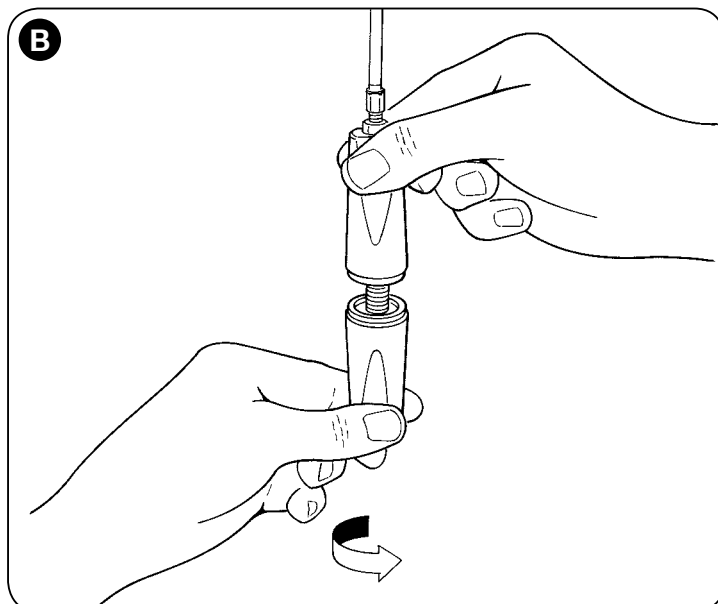
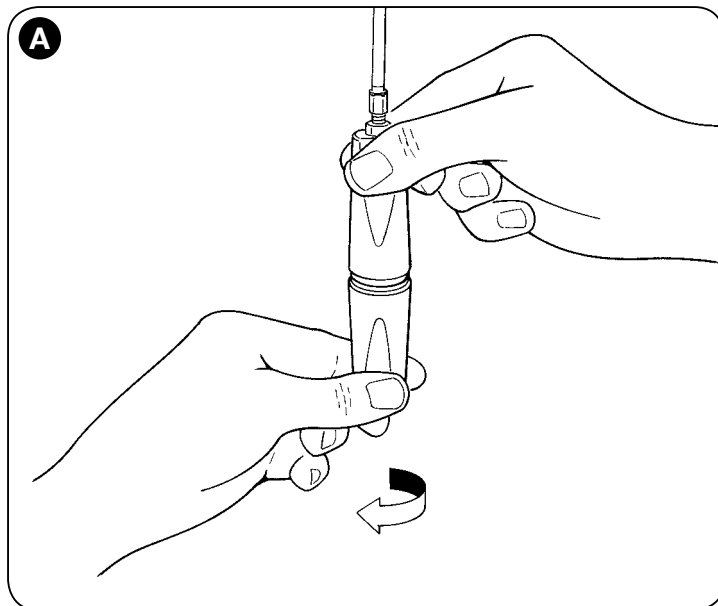
# Operation manual

(to be delivered to the end user)

- **Before using the automation for the first time**, ask the installer to explain the origin of residual risks and devote a few minutes to reading this user instruction and warning **manual** given to you by the installer. Keep the manual for reference when in doubt and pass it on to new owners of the automation.
  - **Your automation is a machine that performs your commands faithfully**; negligent or improper use may make it dangerous: never activate automation controls if persons, animals or objects are present in the operating range.
  - **Children**: An automation system guarantees a high level of safety, using its detection systems to prevent movement in the presence of persons or objects, and ensuring constantly foreseeable and safe activation. Nonetheless, it is advisable to ensure that children do not play in the vicinity of the automation. **To prevent the risk of accidental activation, do not leave the remote controls within the reach of children. This is not a toy!**
  - **Check the system often**, especially cables, springs and supports, for possible imbalance or signs of wear or damage. Every month check that the movement motor reverses when the door touches a 50 mm high object placed on the ground. Do not use the automation system if repair or adjustment is necessary because an installation fault or an incorrectly balanced door could cause injury.
  - **Faults**: if you notice that the automation is not functioning correctly, remove the electrical power supply from the system. Never attempt any repairs; contact your local installer for assistance.  
**(only for one way versions)** The system can be operated manually: release the gearmotor, as described in "Manual release and lock".
  - **Maintenance**: As with any machinery your automation needs periodic maintenance so that it may work as long as possible and in complete safety. Arrange a maintenance schedule with your installer with a periodic frequency; Nice advises an intervention every 6 months for normal domestic use, but this period may vary depending on the intensity of use. Any check, maintenance or repair must only be carried out by qualified personnel.
  - Even if you possess the skills, never modify the system or programming and setting parameters of the automation: this is the responsibility of the installer.
  - Testing, periodic maintenance and any repairs must be documented by the person who makes them and the documents stored by the owner of the system.
- The only recommended** maintenance operations that the user can perform periodically are the removal of leaves or debris that may impede the automation.
- (only for one way versions)** To ensure that no one can activate the door, before you begin, remember to **lock the automation** (as described in "Manual release and lock") and **disconnect all power sources** (including back up batteries, where applicable).- **Disposal**: At the end of the automation's lifetime, ensure that it is disposed by qualified personnel and that the materials are recycled or scrapped according to current local standards.

## (only for one way versions) Manual release and lock

- **Releasing the gearmotor:**
  01. Loosen the lower part of the knob clockwise until you feel a certain resistance (**fig. A**);
  02. manually open or close the rolling door.
- **Locking the gearmotor:**
  01. Tighten the lower part of the knob anti-clockwise until you feel a certain resistance (**fig. B**);



# Sommario

## Capitolo 1 - AVVERTENZE E PRECAUZIONI GENERALI

1.1 - Avvertenze per la sicurezza	1
1.2 - Avvertenze per l'installazione	1

## Capitolo 2 - DESCRIZIONE DEL PRODOTTO E DESTINAZIONE D'USO

2
---

## Capitolo 3 - INSTALLAZIONE

3.1 - Verifiche preliminari all'installazione	2
3.2 - Lavori di predisposizione all'installazione	2
3.3 - Installazione del motoriduttore	2
3.4 - Regolazione dei fincorsa	2
3.5 - Procedura di blocco e sblocco manuale (solo per versioni irreversibili)	2

## Capitolo 4 - COLLAUDO E MESSA IN SERVIZIO

4.1 - Collaudo finale	3
4.2 - Messa in servizio	3

## MANUTENZIONE DEL PRODOTTO

## SMALTIMENTO DEL PRODOTTO

## CARATTERISTICHE TECNICHE DEL PRODOTTO

## Dichiarazione di conformità

## Manuale per l'uso (allegato ritagliabile)

## IMMAGINI

### 1.1 - Avvertenze per la sicurezza

- **ATTENZIONE!** - **Importanti istruzioni di sicurezza. Per la sicurezza delle persone è importante seguire queste istruzioni in quanto, un'installazione impropria può provocare gravi ferite. Leggere attentamente le istruzioni prima di iniziare il lavoro; in caso di dubbi chiedere chiarimenti al Servizio Assistenza Nice.**
- **ATTENZIONE!** - **Conservare queste istruzioni per eventuali interventi futuri di manutenzione e di smaltimento del prodotto.**
- **ATTENZIONE!** - **Tutte le operazioni di installazione, di collegamento, di programmazione e di manutenzione del prodotto devono essere effettuate esclusivamente da un tecnico qualificato e competente, rispettando le leggi, le normative, i regolamenti locali e le istruzioni riportate in questo manuale.**

### 1.2 - Avvertenze per l'installazione

- Prima di iniziare l'installazione verificare se il presente prodotto è adatto ad automatizzare la vostra serranda (leggere il paragrafo 3.1). Se non risulta adatto, NON procedere all'installazione.
- Tutte le operazioni di installazione e di manutenzione del prodotto devono essere effettuate con l'automatismo scollegato dall'alimentazione elettrica. Per precauzione, prima di iniziare il lavoro, attaccare sul dispositivo di sconnessione un cartello con la scritta "ATTENZIONE! MANUTENZIONE IN CORSO".
- Prima di iniziare l'installazione, allontanare tutti i cavi elettrici che non sono necessari all'impianto; disattivare anche tutti i meccanismi che non sono necessari al funzionamento motorizzato della serranda.
- Durante l'installazione maneggiare con cura il prodotto: evitare schiacciamenti, urti, cadute o contatti con qualsiasi liquido; non forare e non applicare viti all'esterno del motore; non mettere il prodotto vicino a fonti di calore e non esporlo a fiamme libere. Queste azioni possono danneggiare il prodotto ed essere causa di malfunzionamenti o situazioni di pericolo. In questi casi sospendere immediatamente l'installazione e rivolgersi al Servizio Assistenza Nice.
- Non smontare il prodotto oltre le operazioni previste in questo manuale.
- Non eseguire modifiche su nessuna parte del prodotto oltre a quelle riportate in questo manuale. Operazioni non permesse possono causare solo malfunzionamenti. Il costruttore declina ogni responsabilità per danni derivanti da modifiche arbitrarie al prodotto.
- Durante la realizzazione dell'impianto, mantenere le persone lontane dalla serranda quando questa è in movimento.
- Il materiale dell'imballo del prodotto deve essere smaltito nel pieno rispetto della normativa locale.

### 1.3 - Avvertenze per l'uso

- Il prodotto non è destinato a essere usato da persone (bambini compresi) le cui capacità fisiche, sensoriali o mentali siano ridotte, oppure con mancanza di esperienza o di conoscenza, a meno che esse non abbiano potuto beneficiare, attraverso l'intermediazione di una persona responsabile della loro sicurezza, di una sorveglianza o di istruzioni riguardanti l'uso del prodotto.
- I bambini devono essere sorvegliati per sincerarsi che non giochino con l'automazione.
- Non permettere ai bambini di giocare con i dispositivi di comando fissi. Tenere i dispositivi di comando portatili (remoti) fuori dalla portata dei bambini.
- Durante l'esecuzione della manovra controllare l'automazione e mantenere le persone lontano da essa, fino al termine del movimento.
- Non comandare l'automazione se nelle sue vicinanze ci sono persone che svolgono lavori come la pulizia dei vetri; **scollegate l'alimentazione elettrica prima di far eseguire questi lavori.**
- Controllate frequentemente l'automazione per scoprire eventuali segni di usura, di danni o di sbilanciamento. Non utilizzare l'automazione se questa necessita di regolazioni o di riparazione; rivolgersi esclusivamente a personale tecnico specializzato per la soluzione di questi problemi.

GIRO è un motoriduttore per serrande avvolgibili bilanciate a molle. Permette di automatizzare serrande con altezza max di 6 m e peso fino a 170 kg. **È vietato qualsiasi altro uso! Il produttore non risponde dei danni derivanti da un uso improprio del prodotto, rispetto a quanto descritto in questo manuale.**

Giro può essere installato su serrande con un diametro di albero portamolle da 200 mm e 220 mm (240 mm opzionale). Le due ghiera presenti, sono in alluminio pressofuso.

Giro è disponibile nelle seguenti versioni:

- GR170 e GR170/V1 versioni irreversibili
- GR170R versione reversibile

Giro, dispone di fincorsa a vite micrometrica e memoria meccanica di posizione.

Accessori disponibili: è possibile installare un 2° motoriduttore (modello GRA01, GRA01/V1 e GRA01R) per portare la coppia massima a 340 Nm; fare riferimento al rispettivo manuale istruzioni. KIO, selettore a chiave con sblocco a fune. Adattatori per scatola portamolle da 240 mm, albero portamolle con diametro di 48 mm.

## 3 INSTALLAZIONE

### 3.1 - Verifiche preliminari all'installazione

**Attenzione! - L'installazione del motore deve essere effettuata da personale qualificato, nel rispetto di leggi, norme e regolamenti e di quanto riportato nelle presenti istruzioni.**

Prima di procedere all'installazione effettuare le seguenti verifiche:

- Verificare l'integrità dei componenti del prodotto appena estratti dall'imballo.
- Verificare l'adeguatezza del motore scelto confrontando le sue caratteristiche tecniche nominali con le caratteristiche tecniche della vostra serranda; quindi, **NON installare il motore se le sue caratteristiche (coppia nominale, velocità di rotazione e tempo di funzionamento) non sono adatte a movimentare la vostra serranda. In particolare, la coppia motore NON DEVE ESSERE SUPERIORE a quella necessaria a muovere la serranda.** Ulteriori limiti d'impiego sono contenuti nel capitolo "Caratteristiche tecniche".
- In caso di installazione all'esterno, garantire al motore un'adeguata protezione dagli agenti atmosferici.
- Verificare che la serranda sia ben bilanciata: cioè non deve muoversi se lasciata ferma in una qualsiasi posizione.
- Verificare che la serranda non presenti punti di maggiore attrito, sia durante il movimento di chiusura sia quello di apertura.
- Verificare che la serranda, durante la sua corsa, svolga un percorso con movimento regolare e silenzioso.
- Verificare che la zona di fissaggio, sia compatibile con l'ingombro del motore **fig. 1**.
- Prevedere nella rete di alimentazione dell'impianto un dispositivo di disconnessione con una distanza di apertura dei contatti che consenta la disconnessione completa nelle condizioni dettate dalla categoria di sovratensione III.

### 3.2 - Lavori di predisposizione all'installazione

La **fig. 2** mostra un esempio di impianto di automatizzazione, realizzato con componenti **Nice**:

- a - Motoriduttore Giro
- b - Scatola di derivazione
- c - Pomello di sblocco (solo per versioni irreversibili)
- d - Invertitore di comando o centrale elettronica
- e - Linea elettrica di alimentazione
- f - Scatole portamolle

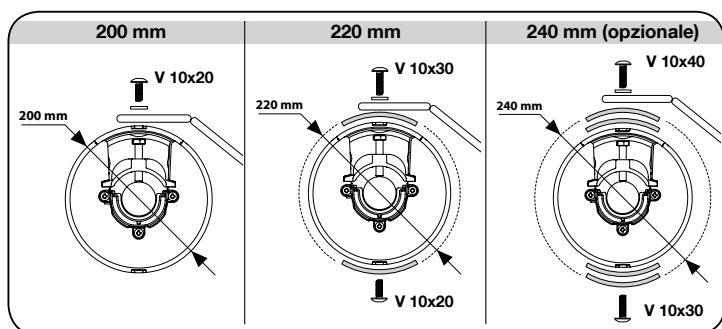
Questi componenti sono posizionati secondo uno schema tipico e usuale. Facendo riferimento alla **fig. 2**, stabilire la posizione approssimativa in cui verrà installato ciascun componente previsto nell'impianto. **Importante** - Prima di eseguire l'installazione, preparare i cavi elettrici necessari al vostro impianto, vedere **fig. 2**.

### 3.3 - Installazione del motoriduttore

#### AVVERTENZE

- **Un'installazione errata può causare gravi ferite alla persona che esegue il lavoro e alle persone che utilizzeranno l'impianto.**
- **Prima di iniziare l'assemblaggio dell'automazione, effettuare le verifiche preliminari descritte nei paragrafi 3.1 e 3.2.**

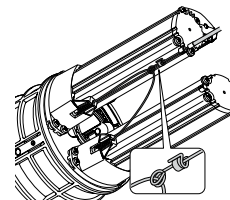
01. Chiudere completamente la serranda per rendere accessibile l'albero portamolle; su quest'ultimo, eseguire un foro passante di diametro 9 mm (**fig. 3**).
02. Togliere la semighiera piccola svitando le due viti M8 (**fig. 4**) e togliere il collare sottostante (**fig. 5**).
03. Misurare il diametro delle scatole portamolle:
  - se il diametro è pari a 200 mm, proseguire con l'installazione.
  - se il diametro è pari a 220 mm oppure 240 mm (opzionale), utilizzare l'apposito adattatore **fig. 6**.



04. Misurare il diametro dell'albero portamolle:
  - Se il diametro è pari a 76 mm, procedere con l'installazione.
  - Se il diametro è pari a 60 mm applicare i relativi adattatori in dotazione (**fig. 6 e 7**) e poi procedere con l'installazione.
  - Se il diametro è pari a 48 mm (opzionale) applicare i relativi adattatori (opzionali) non in dotazione (**fig. 6 e 7**) e poi procedere con l'installazione.
05. Posizionare il motoriduttore nell'albero portamolle e bloccarlo con l'aiuto del collare (**fig. 8**).
06. Avvitare il grano centrale (M10) facendolo passare attraverso il foro eseguito precedentemente nell'albero portamolle (punto 01), vedere **fig. 9**.
07. Fissare il motoriduttore all'albero portamolle avvitando i due grani esterni (M10); poi, bloccare tutti i tre grani con i relativi dadi (**fig. 9**).
08. Fare un foro sull'albero portamolle per il passaggio dei cavi (**fig. 10**).

per versioni <b>irreversibili</b>	per versioni <b>reversibili</b>
09. Far passare attraverso il foro, il cavo di alimentazione e il cavo per lo sblocco manuale.	09. Far passare attraverso il foro, il cavo di alimentazione e passare direttamente al <b>punto 13</b>

10. Poi, inserire il cavo di acciaio per lo sblocco manuale, nella sede apposita facendo passare il terminale all'interno della molla (**fig. 11**); eventualmente, togliere la molla e poi inserirla nuovamente. Per la versione a due motori collegare il terminale del cavo di sblocco alla molla come indicato in figura.
11. Assemblare il pomello di sblocco con tutti i regolatori avvitati (**A**) **fig. 12**; poi, inserire il cavo e, tenendolo in tensione, bloccarlo con il morsetto (**B**) **fig. 12**.
12. Eseguire la manovra di sblocco manuale: svitare in senso orario il pomello inferiore (**fig. 13**);
13. Verificare manualmente che il motoriduttore sia sbloccato. Se necessario, agire sui regolatori per eliminare lo spazio in eccesso.
14. Ingrassare leggermente la dentatura della semighiera piccola, precedentemente smontata (punto 02) e assemblare le due viti (M8), avvitando a fondo (**fig. 14**). Montare l'eventuale adattatore esterno sulla semighiera, come nel punto 04.
15. Effettuare i collegamenti elettrici come mostrato in **fig. 15**.
16. Eseguire sulla parte più alta della serranda, un foro con un diametro di 11 mm e fissare questa parte nel foro esterno del motoriduttore **fig. 16**.
17. Bloccare a fondo il telo della serranda al motoriduttore utilizzando vite (M10) e rondella (**fig. 16**).



### 3.4 - Regolazione dei finecorsa

01. Eseguire la manovra di sblocco manuale, svitando in senso orario il pomello inferiore (**fig. 13**) poi, eseguire manualmente una manovra di apertura e una di chiusura della serranda; verificare che quest'ultimo svolga un percorso con movimento regolare e silenzioso.
02. **(solo per versioni irreversibili)** Bloccare il motoriduttore, avvitando in senso antiorario il pomello inferiore (**fig. 18**).
03. Dare alimentazione elettrica al motoriduttore ed eseguire una manovra di apertura; verificare che la serranda si fermi nel punto desiderato. Per una precisione maggiore, agire sulle rotelle di regolazione (**fig. 18**). La freccia, indica la direzione della rotazione (il simbolo + indica un aumento della corsa).
04. Proseguire, eseguendo vari tentativi per trovare la posizione desiderata.

### 3.5 - (solo per versioni irreversibili) Procedura di blocco e sblocco manuale

**Importante!** - Le manovre di blocco e sblocco manuale del motoriduttore, devono essere eseguite esclusivamente con il motoriduttore completamente fermo. L'operazione manuale deve essere eseguita solo nei casi di mancanza di corrente elettrica, di anomalie dell'impianto oppure se richiesto espressamente nel testo del manuale istruzioni.

#### Sbloccare il motoriduttore:

01. Svitare in senso orario, la parte inferiore del pomello fino a sentire una certa resistenza (**fig. 13**);
02. Aprire oppure chiudere manualmente la serranda.

#### Bloccare il motoriduttore:

01. Avvitare in senso antiorario, la parte inferiore del pomello fino a sentire una certa resistenza (**fig. 17**).

**Importante!** - Se dopo lo sblocco del motore viene movimentata manualmente la serranda e vengono superate le soglie già impostate di regolazione dei finecorsa, questi si aggiornano automaticamente con le nuove posizioni raggiunte.

## 4 COLLAUDO E MESSA IN SERVIZIO

### 4.1 - Collaudo

Queste sono le fasi più importanti nella realizzazione dell'automazione, al fine di garantire la massima sicurezza dell'impianto. Il collaudo può essere usato anche per verificare periodicamente i dispositivi che compongono l'automazione. Le fasi del collaudo e della messa in servizio dell'automazione devono essere eseguite da personale qualificato ed esperto che dovrà farsi carico di stabilire le prove necessarie a verificare le soluzioni adottate nei confronti dei rischi presenti, e di verificare il rispetto di quanto previsto da leggi, normative e regolamenti: in particolare, tutti i requisiti della norma 12445 che stabilisce i metodi di prova per la verifica degli automatismi per cancelli e porte.

I dispositivi aggiuntivi, devono essere sottoposti ad uno specifico collaudo, sia per quanto riguarda la funzionalità sia per quanto riguarda la loro corretta interazione con GIRC; quindi, fare riferimento ai manuali istruzioni dei singoli dispositivi.

01. Verificare che si sia rispettato rigorosamente quanto previsto nel capitolo 1 "AVVERTENZE".
02. Controllare che le fusioni siano in buono stato, cioè che non presentino delle rotture.
03. Verificare che il motoriduttore sia ben fissato all'albero portamolle.
04. Controllare che i collegamenti a vite siano serrati a fondo.
05. Verificare che i contatti elettrici siano in buono stato.
06. Verificare che la ghiera non presenti eccessivi giochi assiali.
07. Verificare la regolazione dei finecorsa compiendo una manovra completa (salita-discesa).
08. Verificare che il motoriduttore, bloccato in qualsiasi punto, non accenni ad alcun movimento.
09. **(solo per versioni irreversibili)** Verificare che lo sblocco disimpegni agevolmente il motoriduttore dalla serranda.

### 4.2 - Messa in servizio

La messa in servizio può avvenire solo dopo aver eseguito con esito positivo tutte le fasi di collaudo.

01. Realizzare e conservare per almeno 10 anni il fascicolo tecnico dell'automazione che dovrà comprendere almeno: disegno complessivo dell'automazione, schema dei collegamenti elettrici, analisi dei rischi e relative soluzioni adottate, dichiarazione di conformità del fabbricante di tutti i dispositivi utilizzati (per Giro utilizzare la Dichiarazione CE di conformità allegata); copia del manuale di istruzioni per l'uso e del piano di manutenzione dell'automazione.
02. Apporre sul portone una targhetta contenente almeno i seguenti dati: tipo di automazione, nome e indirizzo del costruttore (responsabile della "messa in servizio"), numero di matricola, anno di costruzione e marchio "CE".
03. Fissare in maniera permanente in prossimità del portone un'etichetta o una targa con indicate le operazioni per lo sblocco e la manovra manuale.
04. Realizzare e consegnare al proprietario la dichiarazione di conformità dell'automazione.
05. Realizzare e consegnare al proprietario il manuale di "Istruzioni ed avvertenze per l'uso dell'automazione".
06. Realizzare e consegnare al proprietario il piano di manutenzione dell'automazione (che deve raccogliere tutte le prescrizioni sulla manutenzione dei singoli dispositivi).

07. Prima di mettere in servizio l'automatismo informare adeguatamente ed in forma scritta il proprietario (ad esempio sul manuale di istruzioni ed avvertenze per l'uso dell'automazione) sui pericoli ed i rischi ancora presenti.

## MANUTENZIONE DEL PRODOTTO

Per mantenere costante il livello di sicurezza e per garantire la massima durata dell'intera automazione è necessaria una manutenzione programmata ogni 6 mesi.

**ATTENZIONE! – La manutenzione deve essere effettuata nel pieno rispetto delle prescrizioni sulla sicurezza del presente manuale e secondo quanto previsto dalle leggi e normative vigenti.**

01. Scollegare qualsiasi sorgente di alimentazione elettrica, comprese le eventuali batterie tampone.
02. Verificare lo stato di deterioramento di tutti i materiali che compongono l'automazione con particolare attenzione a fenomeni di erosione o di ossidazione delle parti strutturali; sostituire le parti che non forniscono sufficienti garanzie.
03. Verificare lo stato di usura delle parti in movimento.
04. Ricollegare le sorgenti di alimentazione elettrica ed eseguire tutte le prove e le verifiche previste nel paragrafo "4.1 Collaudo".

## SMALTIMENTO DEL PRODOTTO

**Questo prodotto è parte integrante dell'automazione, e dunque, deve essere smaltito insieme con essa.**

Come per le operazioni d'installazione, anche al termine della vita di questo prodotto, le operazioni di smantellamento devono essere eseguite da personale qualificato.

Questo prodotto è costituito da vari tipi di materiali: alcuni possono essere riciclati, altri devono essere smaltiti. Informatevi sui sistemi di riciclaggio o smaltimento previsti dai regolamenti vigenti sul vostro territorio, per questa categoria di prodotto.

**Attenzione!** – alcune parti del prodotto possono contenere sostanze inquinanti o pericolose che, se disperse nell'ambiente, potrebbero provocare effetti dannosi sull'ambiente stesso e sulla salute umana.

Come indicato dal simbolo a lato, è vietato gettare questo prodotto nei rifiuti domestici. Eseguire quindi la "raccolta separata" per lo smaltimento, secondo i metodi previsti dai regolamenti vigenti sul vostro territorio, oppure riconsegnare il prodotto al venditore nel momento dell'acquisto di un nuovo prodotto equivalente.



**Attenzione!** – i regolamenti vigenti a livello locale possono prevedere pesanti sanzioni in caso di smaltimento abusivo di questo prodotto.

## CARATTERISTICHE TECNICHE DEL PRODOTTO

**AVVERTENZE:** • Tutte le caratteristiche tecniche riportate, sono riferite ad una temperatura ambientale di 20°C (± 5°C). • Nice S.p.a. si riserva il diritto di apportare modifiche al prodotto in qualsiasi momento lo riterrà necessario, mantenendone comunque la stessa funzionalità e destinazione d'uso.

### Nota:

- GR170 e GR170/V1 versioni irreversibili
- GR170R versione reversibile

MODELLO	GR170 - GR170R	GR170/V1	GR340	GR340/V1
Alimentazione / frequenza	230V / 50Hz	120V / 60Hz	230V / 50Hz	120V / 60Hz
Corrente assorbita	1,9 A	4 A	3,3 A	7,6 A
Potenza assorbita	430 W	455 W	800 W	900 W
Coppia max	170 Nm	170 Nm	340 Nm	340 Nm
Forza max di sollevamento con Ø 200mm	170 kg	170 kg	340 kg	340 kg
Diametro standard albero serranda	76 mm*	76 mm*	76 mm*	76 mm*
Diametro flangie avvolgibili	200 mm**	200 mm**	200 mm**	200 mm**
Velocità rotazione corona (a vuoto)	8 RPM	10 RPM	8 RPM	10 RPM
Temperatura ambientale di funzionamento	-20°C ÷ 50°C	-20°C ÷ 50°C	-20°C ÷ 50°C	-20°C ÷ 50°C
Grado di protezione	IP 20	IP 20	IP 20	IP 20
Protettore termico	100°C	100°C	100°C	100°C
Tempo di funzionamento continuo	4 minuti	40 s on 40 s off	4 minuti	40 s on 40 s off
Numero di manovre giorno max	10 (non consecutive)	10 (non consecutive)	10 (non consecutive)	10 (non consecutive)
Peso	7 kg	7 kg	10,5 kg	10,5 kg

\* 60 mm con adattatore fornito - 48 mm con adattatore opzionale

\*\* 220 con adattatore fornito - 240 con adattatore opzionale

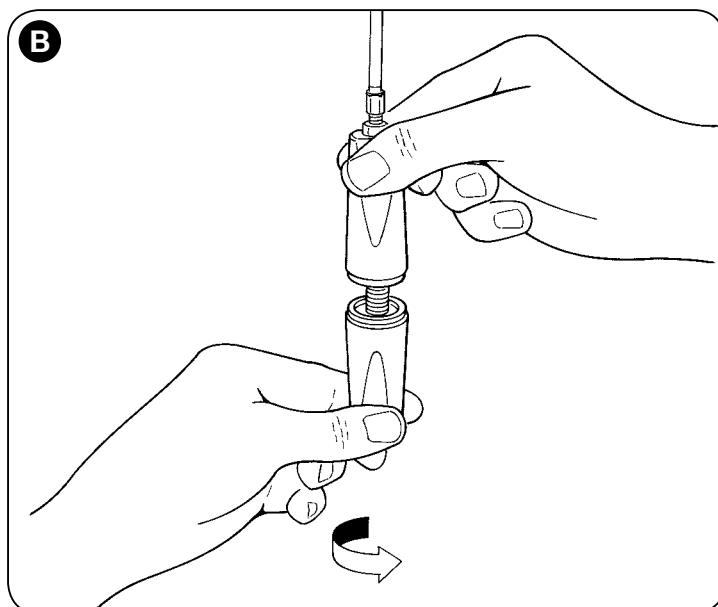
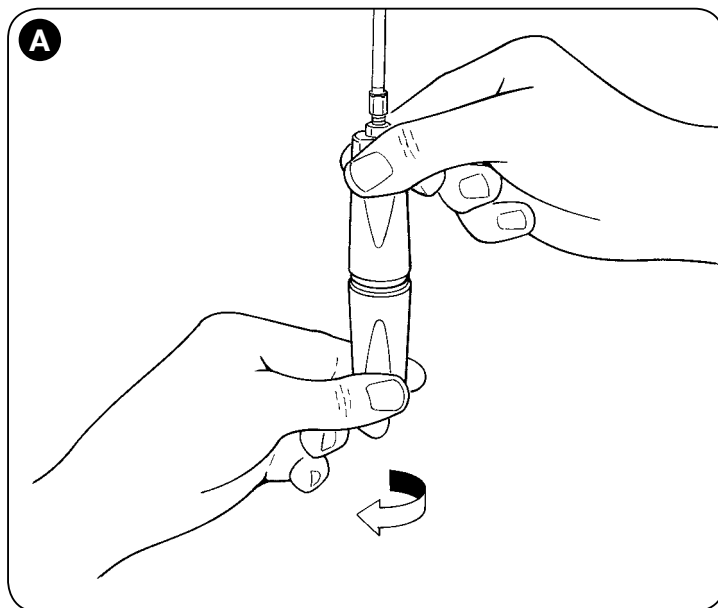
# Manuale per l'uso

(da consegnare all'utilizzatore finale)

- **Prima di usare per la prima volta l'automazione**, fatevi spiegare dall'installatore l'origine dei rischi residui, e dedicate qualche minuto alla lettura del manuale **di istruzioni ed avvertenze per l'utilizzatore** consegnatovi dall'installatore. Conservate il manuale per ogni dubbio futuro e consegnatelo ad un eventuale nuovo proprietario dell'automazione.
  - **La vostra automazione è un macchinario che esegue fedelmente i vostri comandi**; un uso incosciente ed improprio può farlo diventare pericoloso: non comandate il movimento dell'automazione se nel suo raggio di azione si trovano persone, animali o cose.
  - **Bambini**: un impianto di automazione garantisce un alto grado di sicurezza, impedendo con i suoi sistemi di rilevazione il movimento in presenza di persone o cose, e garantendo un'attivazione sempre prevedibile e sicura. È comunque prudente vietare ai bambini di giocare in prossimità dell'automazione e per evitare attivazioni involontarie non lasciare i telecomandi alla loro portata: **non è un gioco!**
  - **Controllare spesso l'impianto**, in particolare i cavi, le molle e i supporti per scoprire eventuali sbilanciamenti e segni di usura o danni.  
Verificare mensilmente che il motore di movimentazione si inverta quando la porta tocca un oggetto alto 50 mm posto al suolo. Non usare l'automazione, se è necessaria una riparazione o regolazione, dal momento che un guasto all'installazione o una porta non correttamente bilanciata può provocare ferite.
  - **Anomalie**: se viene notato un comportamento anomalo da parte dell'automazione togliere alimentazione elettrica all'impianto. Non tentare alcuna riparazione ma richiedere l'intervento del vostro installatore di fiducia.  
**(solo per versioni irreversibili)** L'impianto può funzionare manualmente: sbloccare il motoriduttore come descritto al punto "Sblocco e blocco manuale".
  - **Manutenzione**: Come ogni macchinario la vostra automazione ha bisogno di una manutenzione periodica affinché possa funzionare più a lungo possibile ed in completa sicurezza. Concordate con il vostro installatore un piano di manutenzione con frequenza periodica; Nice consiglia un intervento ogni 6 mesi per un normale utilizzo domestico, ma questo periodo può variare in funzione dell'intensità d'uso. Qualunque intervento di controllo, manutenzione o riparazione deve essere eseguito solo da personale qualificato.
  - Anche se ritenete di saperlo fare, non modificate l'impianto ed i parametri di programmazione e di regolazione dell'automazione: la responsabilità è del vostro installatore.
  - Il collaudo, le manutenzioni periodiche e le eventuali riparazioni devono essere documentate da chi le esegue e i documenti conservati dal proprietario dell'impianto.
- Gli unici interventi** che sono possibili e vi consigliamo di effettuare periodicamente, sono la rimozione di eventuali foglie oppure sassi che potrebbero ostacolare l'automatismo.
- (solo per versioni irreversibili)** Per impedire che qualcuno possa azionare la serranda, prima di procedere, ricordatevi di **sbloccare l'automatismo** (come descritto al punto "Sblocco e blocco manuale".) e **scollegare tutte le sorgenti di alimentazione** (anche le batterie tampone se presenti).- **Smaltimento**: Al termine della vita dell'automazione, assicuratevi che lo smantellamento sia eseguito da personale qualificato e che i materiali vengano riciclati o smaltiti secondo le norme valide a livello locale.

## (solo per versioni irreversibili) Sblocco e blocco manuale

- **Sbloccare il motoriduttore:**
  01. Svitare in senso orario, la parte inferiore del pomello fino a sentire una certa resistenza (**fig. A**);
  02. aprire oppure chiudere manualmente la serranda.
- **Bloccare il motoriduttore:**
  01. Avvitare in senso antiorario, la parte inferiore del pomello fino a sentire una certa resistenza (**fig. B**).



# Sommaire

<b>Chapitre 1 - RECOMMANDATIONS ET PRÉCAUTIONS GÉNÉRALES</b>	
1.1 - Consignes de sécurité	1
1.2 - Avertissements pour l'installation	1
<b>Chapitre 2 - DESCRIPTION DU PRODUIT ET TYPE D'UTILISATION</b>	2
<b>Chapitre 3 - INSTALLATION</b>	
3.1 - Vérifications préliminaires avant l'installation	2
3.2 - Travaux de préparation pour l'installation	2
3.3 - Installation du motoréducteur	2
3.4 - Réglage des fins de course	2
3.5 - Procédure de verrouillage et déverrouillage manuel (uniquement pour versions non réversibles)	2
<b>Chapitre 4 - ESSAI ET MISE EN SERVICE</b>	
4.1 - Essai final	3
4.2 - Mise en service	3
<b>MAINTENANCE DU PRODUIT</b>	3
<b>MISE AU REBUT DU PRODUIT</b>	3
<b>CARACTÉRISTIQUES TECHNIQUES DU PRODUIT</b>	3
<b>Déclaration de conformité</b>	4
<b>Guide de l'utilisateur</b> (annexe détachable)	5
<b>ILLUSTRATIONS</b>	I - IV
1 - Français	

## 1.1 - Consignes de sécurité

- **ATTENTION ! - Instructions de sécurité importantes. Pour la sécurité des personnes, il est impératif de suivre ces instructions dans la mesure où toute installation incorrecte est susceptible de provoquer des blessures graves.**  
Lire attentivement ces instructions avant de commencer tout travail ; en cas de doutes, contactez le Service d'Assistance de Nice.
- **ATTENTION ! - Conserver avec soin ces instructions pour les éventuelles interventions futures de maintenance ou de mise au rebut du produit.**
- **ATTENTION ! - Toutes les opérations d'installation, de branchement, de programmation et de maintenance du produit devront exclusivement être effectuées par un technicien qualifié et compétent en respectant les lois, les normes, les règlements locaux et les instructions mentionnées dans ce manuel.**

## 1.2 - Avertissements pour l'installation

- Avant de commencer l'installation, vérifier si le produit est adapté pour automatiser votre volet (lire le paragraphe 3.1). S'il n'est pas adapté, NE PAS procéder à l'installation.
- Toutes les opérations d'installation et de maintenance du produit devront être effectuées après avoir débranché la centrale de l'alimentation électrique. Par précaution et avant de commencer le travail, placer, sur le dispositif de branchement, un panneau mentionnant: « ATTENTION ! MAINTENANCE EN COURS ».
- Avant de commencer l'installation, éloigner tous les fils électriques non nécessaires à l'équipement ; désactiver également tous les mécanismes non nécessaires au fonctionnement motorisé du volet.
- Au cours de l'installation, manipuler avec soin le produit : éviter les écrasements, les chocs, les chutes ou les contacts avec un liquide quelconque ; ne pas percer et ne pas monter de vis à l'extérieur ; ne pas placer le produit à proximité de fortes source de chaleur et ne pas l'exposer à des flammes libres. Toutes ces actions peuvent l'endommager et causer des problèmes de fonctionnement ou des situations de danger. Dans ces cas, suspendre immédiatement l'installation et s'adresser au service d'assistance de Nice.
- Ne pas démonter le produit plus que ce qui est prévu par ce manuel.
- Ne pas effectuer de modifications sur aucune des parties du produit si ce n'est sur celles prévues par ce manuel. Les opérations non autorisées peuvent provoquer des problèmes de fonctionnement. Le constructeur décline toute responsabilité en cas de dommages dérivant de modifications arbitraires du produit.
- Durant la réalisation de l'installation, personne ne doit se trouver à proximité du volet lorsque celui-ci est en mouvement.
- Les matériaux de l'emballage du produit doivent être mis au rebut dans le plein respect des normes locales en vigueur.

## 1.3 - Avertissements pour l'utilisation

- Le produit n'est pas destiné à être utilisé par des personnes (enfants compris) aux capacités physiques, sensorielles ou mentales réduites, ou manquant d'expérience ou de connaissances, à moins que celles-ci aient pu bénéficier, par l'intermédiaire d'une personne responsable de leur sécurité, d'une surveillance ou d'instructions sur l'utilisation du produit.
- Les enfants doivent être placés sous surveillance afin de veiller à ce qu'ils ne jouent pas avec l'automatisme.
- Ne pas laisser les enfants jouer avec les dispositifs de commande fixes. Conserver les dispositifs de commande portatifs (télécommandes) hors de portée des enfants.
- Durant l'exécution de la manœuvre, contrôler l'automatisme et faire en sorte que personne ne se trouve à proximité de celui-ci tant qu'il est en mouvement.
- Ne jamais faire fonctionner l'automatisme lorsque des personnes sont en train de travailler, comme en train de laver les vitres, à proximité de celui-ci ; **débrancher le courant avant de procéder à tout travail.**
- Contrôler régulièrement l'automatisme afin d'en détecter toute trace éventuelle d'usure, de dommage ou de déséquilibre. Ne pas utiliser le produit s'il a besoin d'être réglé ou réparé ; s'adresser exclusivement au personnel technique spécialisé pour la solution à ces problèmes.

## 2 DESCRIPTION DU PRODUIT ET DESTINATION D'UTILISATION

GIRO est un motoréducteur pour les volets roulants équilibrés par des ressorts. Il permet d'automatiser des volets ayant une hauteur maximum de 6 m et pesant jusqu'à 170 kg.

**Toute autre utilisation est interdite ! Le constructeur ne répond pas des dommages résultant d'un usage inapproprié du produit, autre que celui prévu dans ce manuel**

GIRO peut être installé sur les volets ayant un diamètre de l'arbre porte-ressorts de 200 mm et 220 mm (240 mm option). Les deux colliers présents sont en aluminium moulé sous pression.

GIRO est disponible dans les versions suivantes :  
- GR170 et GR170/V1 versions non réversibles

- GR170R version réversible

Giro est équipé d'un fin de course à vis micrométrique et à mémoire mécanique de position.

Accessoires disponibles: il est possible d'installer un 2<sup>ème</sup> motoréducteur (modèle GRA01, GRA01/V1 et GRA01R) afin d'augmenter le couple afin d'arriver à 340 Nm ; consulter le manuel d'instructions correspondant. KIO, sélecteur à clé avec déverrouillage par câble. Adaptateurs pour boîtier porte-ressorts de 240 mm, arbre porte-ressorts avec diamètre de 48 mm.

## 3 INSTALLATION

### 3.1 - Vérifications préliminaires avant l'installation

**Attention ! - L'installation du moteur doit être effectuée par un personnel spécialisé, dans le respect des lois, normes et réglementations ainsi que des présentes instructions.**

Avant de procéder à l'installation, vérifier ce qui suit :

- Vérifier l'intégrité des composants du produit après les avoir déballés.
- Vérifier que le moteur corresponde à vos besoins en comparant les caractéristiques techniques de celui-ci avec celles de votre volet ; **NE PAS installer le moteur si ses caractéristiques (couple nominal, vitesse de rotation et temps de fonctionnement) ne permettent pas la motorisation de votre volet. Notamment, le couple nominal du moteur NE DOIT PAS ÊTRE SUPÉRIEUR à celui nécessaire à la motorisation du volet.** D'autres limitations d'usage sont décrites dans le chapitre « Caractéristiques techniques ».
- En cas d'installation à l'extérieur, garantir au moteur une protection appropriée contre les agents atmosphériques.
- S'assurer du bon équilibrage du volet : autrement dit qu'il ne bouge pas lorsqu'il est arrêté dans n'importe quelle position.
- Vérifier que le volet ne présente aucun point de résistance, tant lors du mouvement de fermeture que de celui d'ouverture.
- Vérifier que le volet, lorsqu'il bouge, se déplace de façon normale et silencieuse.
- Vérifier que la zone de fixation est compatible avec l'encombrement du moteur **fig. 1**.
- Prévoir, sur la ligne d'alimentation de l'installation, un dispositif de déconnexion avec une distance d'ouverture des contacts permettant la déconnexion complète dans les conditions prescrites par la catégorie de surtension III.

### 3.2 - Travaux de préparation pour l'installation

La **fig. 2** montre un exemple d'installation d'automatisation réalisée avec les composants **Nice** :

- a - Motoréducteur Giro
- b - Boîtier de dérivation
- c - Bouton de déverrouillage (uniquement pour versions non réversibles)
- d - Inverseur de commande ou centrale électronique
- e - Ligne électrique d'alimentation
- f - Boîtiers porte-ressorts

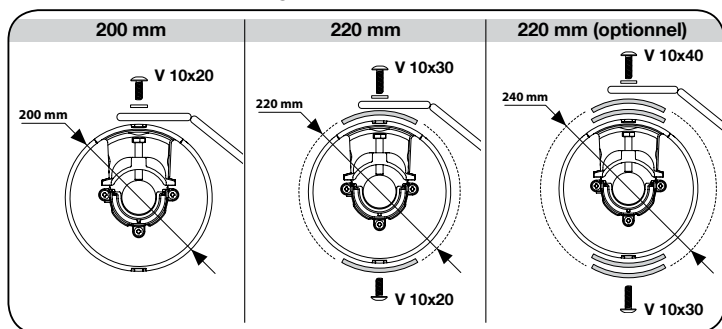
Ces composants sont placés suivant un schéma typique et usuel. En faisant référence à la **fig. 2**, définir la position approximative d'installation de chaque composant de l'installation. **Important** – Avant de procéder à l'installation, préparer les fils électriques nécessaires à l'équipement, pour ce, voir **fig. 2**.

### 3.3 - Installation du motoréducteur

#### AVERTISSEMENTS

- **Une installation incorrecte peut causer de graves blessures aux personnes qui effectuent le travail et à celles qui utiliseront le produit.**
- **Avant de commencer l'assemblage de l'automatisme, effectuer les contrôles préliminaires décrits dans les paragraphes 3.1 et 3.2.**

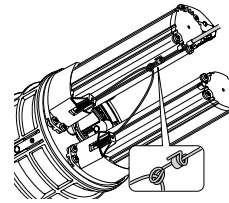
01. Fermer complètement le volet afin de pouvoir accéder à l'arbre porte-ressorts ; sur ce dernier, effectuer un trou traversant de 9 mm de diamètre (**fig. 3**).
02. Enlever le petit demi-collier en dévissant les deux vis M8 (**fig. 4**) et enlever le collier se trouvant au-dessous (**fig. 5**).
03. Mesurer le diamètre de boîtiers porte-ressorts :
  - si le diamètre est égal à 200 mm, poursuivre l'installation.
  - si le diamètre est égal à 220 mm ou bien 240 mm (option), utiliser l'adaptateur prévu à cet effet, **fig. 6**.



04. Mesurer le diamètre de l'arbre porte-ressorts :
  - Si le diamètre est égal à 76 mm, poursuivre l'installation.
  - Si le diamètre est égal à 60 mm, appliquer les adaptateurs correspondants fournis (**fig. 6 et 7**) puis poursuivre l'installation.
  - Si le diamètre est égal à 48 mm (optionnel) appliquer les adaptateurs correspondants (optionnels) non fournis (**fig. 6 et 7**) puis poursuivre l'installation.
05. Installer le motoréducteur dans l'arbre porte-ressorts et le bloquer à l'aide du collier (**fig. 8**).
06. Visser le grain central (M10) en le faisant passer à travers le trou réalisé précédemment dans l'arbre porte-ressorts (point O1), voir **fig. 9**.
07. Fixer le motoréducteur à l'arbre porte-ressorts en vissant les deux grains externes (M10); puis bloquer les trois grains avec les écrous correspondants (**fig. 9**).
08. Faire un trou sur l'arbre porte-ressorts pour faire passer les câbles (**fig. 10**).

pour versions non réversibles	pour versions réversibles
09. Faire passer le câble pour le déverrouillage manuel et le cordon d'alimentation à travers le trou.	09. Faire passer le cordon d'alimentation à travers le trou et aller directement au <b>point 13</b>

10. Ensuite, insérer le câble en acier pour le déverrouillage manuel à l'endroit prévu en faisant passer le connecteur à l'intérieur du ressort (**fig. 11**) ; pour ce faire, si nécessaire, enlever le ressort et le remonter. Pour la version à deux moteurs, relier l'extrémité du câble de déverrouillage au ressort conformément à l'illustration.
11. Assembler le bouton de déverrouillage avec tous les régulateurs vissés (**A**) **fig. 12** ; puis, installer le câble et, tout en le tendant, le bloquer à l'aide du clip (**B**) **fig. 12**.
12. Effectuer la manœuvre de déverrouillage manuel : dévisser le bouton inférieur dans le sens des aiguilles d'une montre (**fig. 13**) ; vérifier manuellement que le motoréducteur est bien bloqué. Si nécessaire, agir au niveau des régulateurs pour éliminer l'espace en trop.
13. Vérifier manuellement que le motoréducteur est bien bloqué. Si nécessaire, agir au niveau des régulateurs pour éliminer l'espace en trop.
14. Graisser légèrement la denture du petit demi-collier qui a été monté précédemment (point O2) et monter les deux vis (M8) en les vissant à fond (**fig. 14**). Monter l'éventuel adaptateur extérieur sur le demi-collier tel qu'illustré au point 04.
15. Effectuer les branchements électriques tel qu'illustré dans la **fig. 15**.
16. Au niveau de la partie la plus haute du volet, réaliser une ouverture de 11 mm de diamètre et fixer cette partie dans l'orifice extérieur du motoréducteur **fig. 16**.
17. Bloquer la toile du volet au fond du motoréducteur à l'aide de la vis (M10) et de la rondelle (**fig. 16**).



### 3.4 - Réglage des fins de course

01. Effectuer la manœuvre de déverrouillage manuel en dévissant le bouton inférieur dans le sens des aiguilles d'une montre (**fig. 13**) puis effectuer une manœuvre d'ouverture et une de fermeture du volet ; vérifier que ce dernier bouge de façon normale et silencieuse.
02. **(uniquement pour versions non réversibles)** Bloquer le motoréducteur en vissant le bouton inférieur dans le sens contraire des aiguilles d'une montre (**fig. 18**).
03. Alimenter électriquement le motoréducteur et effectuer une manœuvre d'ouverture ; vérifier que le volet s'arrête à l'endroit voulu. Pour plus de précision, agir au niveau des roulettes de réglage (**fig. 18**). La flèche indique le sens de rotation (le symbole + indique une augmentation de la course).
04. Procéder en plusieurs fois afin de trouver la position souhaitée.

### 3.5 - (uniquement pour versions non réversibles) Procédure de verrouillage et déverrouillage manuel.

**Important !** - Les manœuvres de verrouillage et de déverrouillage manuel du motoréducteur ne doivent être réalisées que lorsque le motoréducteur est entièrement à l'arrêt. L'opération manuelle ne doit être effectuée qu'en cas de panne électrique, d'anomalies de l'installation ou si expressément demandée par les instructions de ce manuel.

#### Déverrouiller le motoréducteur :

01. Dévisser la partie inférieure du bouton dans le sens des aiguilles d'une montre jusqu'à rencontrer une certaine résistance (**fig. 13**) ;
02. Ouvrir ou fermer le volet manuellement.

#### Verrouiller le motoréducteur :

01. Visser la partie inférieure du bouton dans le sens contraire des aiguilles d'une montre jusqu'à rencontrer une certaine résistance (**fig. 17**).

**Important !** - Si, après le déblocage du moteur, le volet est déplacé manuellement et que les seuils de réglage des fins de course déjà configurés sont dépassés, ceux-ci sont automatiquement mis à jour avec les nouvelles positions atteintes.

## 4.1 - Essai

Il s'agit des phases les plus importantes dans la réalisation de l'automatisme afin de garantir la sécurité maximum de l'installation. La procédure d'essai peut être utilisée aussi pour vérifier périodiquement les dispositifs qui composent l'automatisme. Les phases de test et de mise en service de l'automatisme doivent être réalisées par un personnel qualifié et expert qui sera chargé de faire les tests nécessaires à vérifier les solutions adoptées contre les risques existants ainsi que de vérifier le respect des lois, normes et réglementations, notamment, toutes les exigences de la norme 12445 qui définit les méthodes d'essai pour la vérification des automatismes de barrières et de portes.

Tout dispositif supplémentaire doit faire l'objet d'un test spécial, tant pour ce qui est de sa fonctionnalité que de son interaction avec GIRO ; pour ce, consulter les manuels d'instructions de chaque dispositif.

01. Vérifier que le contenu du chapitre 1 « AVERTISSEMENTS » soit rigoureusement respecté.
02. Contrôler que les fusions soient en bon état, soit qu'elles ne présentent aucune rupture.
03. Vérifier que le motoréducteur soit bien attaché à l'arbre porte-ressorts.
04. Contrôler que les vis de fixation soient serrées à fond.
05. Vérifier que les contacts électriques soient en bon état.
06. Vérifier que le collier ne présente aucun jeu axial excessif.
07. Vérifier le réglage des fins de course en exécutant une manœuvre complète (montée-descente).
08. Vérifier que le motoréducteur reste bien immobile lorsqu'il est bloqué à n'importe quel endroit.
09. **(uniquement pour versions non réversibles)** Vérifier que le déverrouillage désolidarise facilement le motoréducteur du volet.

## 4.2 - Mise en service

La mise en service ne peut avoir lieu que si toutes les phases d'essai ont été effectuées avec résultat positif.

01. Réaliser et conserver, pendant 10 ans au moins, le dossier technique de l'automatisme. Ce dossier devra comprendre au moins : le plan d'ensemble de l'automatisme, le schéma des branchements électriques, l'analyse des risques et les solutions correspondantes adoptées, la déclaration de conformité du fabricant de tous les dispositifs utilisés (pour Giro, utiliser la Déclaration de conformité CE jointe en annexe) ; une copie du manuel d'instructions pour l'utilisation et du programme de maintenance de l'automatisme.
02. Appliquer, sur la barrière, une plaquette contenant au moins les données suivantes : type d'automatisme, nom et adresse du fabricant (responsable de la « mise en service »), numéro de série, année de construction et marquage « CE ».
03. Fixer, de façon définitive et à proximité de la barrière, une étiquette ou une plaquette reportant les opérations pour le déverrouillage et la manœuvre manuelle.
04. Réaliser et délivrer la déclaration de conformité de l'automatisme au propriétaire.
05. Réaliser et délivrer le manuel « d'instructions et avertissements pour l'utilisation de l'automatisme » au propriétaire.
06. Réaliser et délivrer le programme de maintenance de l'automatisme au propriétaire (ce programme devra comprendre toutes les prescriptions sur la maintenance de chaque dispositif).

07. Avant de mettre en service l'automatisme, informer, dûment et par écrit (par exemple : sur le manuel d'instructions et avertissements pour l'utilisation de l'automatisme), le propriétaire sur les dangers et les risques résiduels.

## MAINTENANCE DU PRODUIT

Afin de conserver un niveau de sécurité permanent et de prolonger la durée de vie de l'automatisme, il est nécessaire de programmer des travaux de maintenance tous les 6 mois.

**ATTENTION ! – La maintenance doit être effectuée dans le plein respect des consignes de sécurité du présent manuel et suivant les prescriptions des lois et normes en vigueur.**

01. Débrancher toute sorte d'alimentation électrique, y compris les éventuelles batteries tampon.
02. Vérifier le niveau de détérioration de tout le matériel composant l'automatisme, en faisant tout particulièrement attention aux phénomènes d'érosion ou d'oxydation des parties structurelles ; remplacer toutes les pièces qui n'apparaissent pas en bon état.
03. Vérifier le niveau d'usure des parties en mouvement.
04. Rebrancher les sources d'alimentation électrique et réaliser les tests et vérifications prévus au paragraphe « 4.1 Test ».

## MISE AU REBUT DU PRODUIT

**Le produit fait partie intégrante de l'automatisme et doit donc être mis au rebut avec ce dernier.**

De même que pour les opérations d'installation, à la fin de la vie de ce produit, les opérations de démantèlement doivent être effectuées par du personnel qualifié.

Ce produit est réalisé avec plusieurs types de matériaux : certains peuvent être recyclés, d'autres doivent être mis au rebut. S'informer sur les systèmes de recyclage ou de d'éliminations prévues par les règlements en vigueur sur votre territoire, pour cette catégorie de produit.

**Attention ! – certains composants du produit peuvent contenir des substances polluantes ou dangereuses qui pourraient avoir des effets nuisibles sur l'environnement et sur la santé des personnes s'ils étaient jetés dans la nature.**

Comme l'indique le symbole ci-contre, il est interdit de jeter ce produit avec les déchets ménagers. Par conséquent, utiliser la méthode de la « collecte sélective » pour la mise au rebut des composants conformément aux prescriptions des normes en vigueur dans le pays d'utilisation ou remettre le produit au vendeur lors de l'achat d'un nouveau produit équivalent.



**Attention ! – les règlements en vigueur au niveau local peuvent prévoir de lourdes sanctions en cas d'élimination abusive de ce produit.**

## CARACTÉRISTIQUES TECHNIQUES DU PRODUIT

**AVERTISSEMENTS :** • Toutes les caractéristiques techniques indiquées se réfèrent à une température ambiante de 20 °C (± 5 °C). • Nice S.p.a. se réserve le droit d'apporter des modifications au produit à tout moment si elle le juge nécessaire, en garantissant, dans tous les cas, les mêmes fonctions et le même type d'utilisation prévu.

**Note :**  
- **GR170 et GR170/V1 versions non réversibles**  
- **GR170R version réversible**

MODÈLE	GR170 GR170R	GR170/V1	GR340	GR340/V1
Alimentation / fréquence	230 V / 50 Hz	120V / 60Hz	230V / 50Hz	120V / 60Hz
Courant absorbé	1,9 A	4 A	3,3 A	7,6 A
Puissance absorbée	430 W	455 W	800 W	900 W
Couple maxi	170 Nm	170 Nm	340 Nm	340 Nm
Force maxi de levage avec Ø 200 mm	170 kg	170 kg	340 kg	340 kg
Diamètre standard arbre volet	76 mm*	76 mm*	76 mm*	76 mm*
Diamètre flasques d'enroulement	200 mm**	200 mm**	200 mm**	200 mm**
Vitesse rotation couronne (à vide)	8 RPM	10 RPM	8 RPM	10 RPM
Température ambiante de fonctionnement	-20°C ÷ 50°C	-20°C ÷ 50°C	-20°C ÷ 50°C	-20°C ÷ 50°C
Indice de protection	IP 20	IP 20	IP 20	IP 20
Protecteur thermique	100°C	100°C	100°C	100°C
Temps de fonctionnement continu	4 minutes	40 s on 40 s off	4 minutes	40 s on 40 s off
Nombre de manœuvres jour maxi	10 (pas consécutives)	10 (pas consécutives)	10 (pas consécutives)	10 (pas consécutives)
Poids	7 kg	7 kg	10,5 kg	10,5 kg

\* 60 mm avec adaptateur fourni - 48 mm avec adaptateur en option

\*\* 220 avec adaptateur fourni - 240 avec adaptateur en option



# Guide de l'utilisateur (à délivrer à l'utilisateur final)

- **Avant la première utilisation de l'automatisme**, demander à l'installateur d'expliquer les risques résiduels et consacrer quelques minutes à la lecture du manuel **d'instructions et d'avertissements pour l'utilisateur** qui a été délivré par l'installateur. Conserver le guide pour pouvoir le consulter dans le futur, en cas de doute, et le remettre, le cas échéant, au nouveau propriétaire de l'automatisme.

- **Votre automatisme est un équipement qui exécute fidèlement vos commandes** ; toute utilisation inconsciente et incorrecte peut provoquer des situations de danger : ne pas commander le mouvement de l'automatisme si des personnes, des animaux ou des objets se trouvent dans son champ d'action.

- **Enfants** : une installation d'automatisation garantit un degré de sécurité élevé en empêchant, grâce à ses systèmes de détection, le mouvement en cas de présence de personnes ou d'objets et en garantissant une activation toujours prévisible et sûre. Toutefois, il est prudent d'éviter de laisser les enfants jouer à proximité de l'automatisme et, pour éviter tout déclenchement involontaire, de ne pas laisser les télécommandes à leur portée : **ce n'est pas un jeu !**

- **Contrôler périodiquement l'installation et**, en particulier, les câbles, les ressorts et les supports afin de pouvoir identifier l'éventuelle présence de déséquilibres, signes d'usure ou de dommages.

Tous les mois, vérifier que le moteur change de sens lorsque la porte touche un objet de 50 mm de hauteur placé au sol. Ne pas utiliser l'automatisme si une maintenance ou un réglage est nécessaire, étant donné qu'une panne de l'installation ou une porte mal équilibrée peut causer des blessures.

- **Anomalies** : en cas d'anomalie quelconque remarquée dans le fonctionnement de l'automatisme, couper l'alimentation électrique de l'installation. Ne tentez jamais de le réparer vous-même mais demandez l'intervention de votre installateur de confiance.

**(uniquement pour versions non réversibles)** L'installation peut fonctionner comme un système non automatisé : il faut pour cela déverrouiller le motoréducteur comme décrit au paragraphe « Déverrouillage et verrouillage manuel ».

- **Maintenance** : Comme toute autre machine, votre automatisme nécessite une maintenance périodique afin de pouvoir fonctionner le plus longtemps possible et en toute sécurité. Avec l'installateur, établir un programme de maintenance avec fréquence périodique ; Nice conseille une intervention tous les 6 mois en cas d'usage domestique normal mais cet intervalle peut varier en fonction de l'usage même qui est fait de l'appareil. Toute intervention de contrôle, maintenance ou réparation ne doit être réalisée que par un personnel qualifié.

- Même si vous estimez en être capable, ne modifiez pas l'installation et les paramètres de programmation et de réglage de l'automatisme : la responsabilité en incombe à l'installateur.

- Le test, les maintenances périodiques et les éventuelles réparations doivent être justifiés par écrit par celui qui les réalise et tous les documents s'y rattachant doivent être conservés par le propriétaire de l'installation.

**Les seules interventions** qui sont possibles et que nous vous conseillons d'effectuer périodiquement est d'enlever les feuilles ou cailloux susceptibles de gêner le bon fonctionnement de l'automatisme.

**(uniquement pour versions non réversibles)** Afin d'empêcher que quelqu'un puisse actionner le volet, avant d'intervenir, n'oubliez pas de **déverrouiller l'automatisme** (comme décrit au paragraphe « Déverrouillage et verrouillage manuel ».) et de **débrancher toutes les sources d'alimentation** (y compris les batteries tampon si présentes).

- **Mise au rebut** : À la fin de la vie de l'automatisme, s'assurer que le démantèlement est effectué par du personnel qualifié et que les matériaux sont recyclés ou mis au rebut en respectant les normes locales en vigueur.

## (uniquement pour versions non réversibles) Déverrouillage et verrouillage manuel

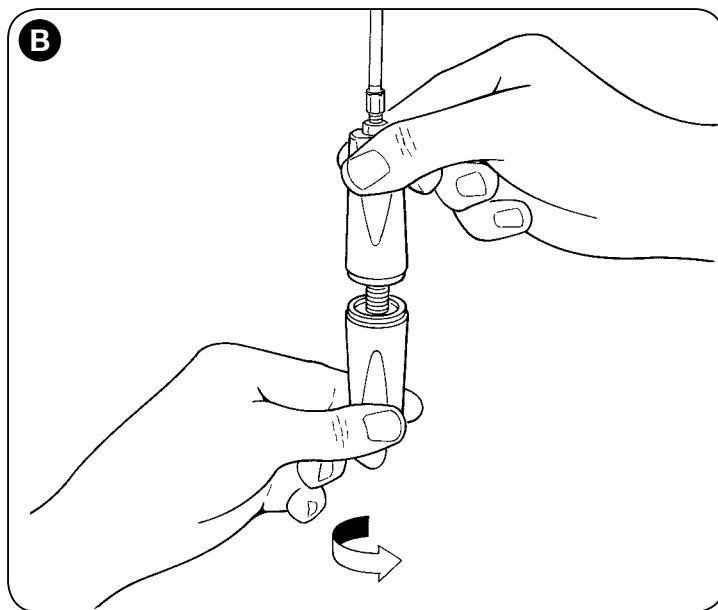
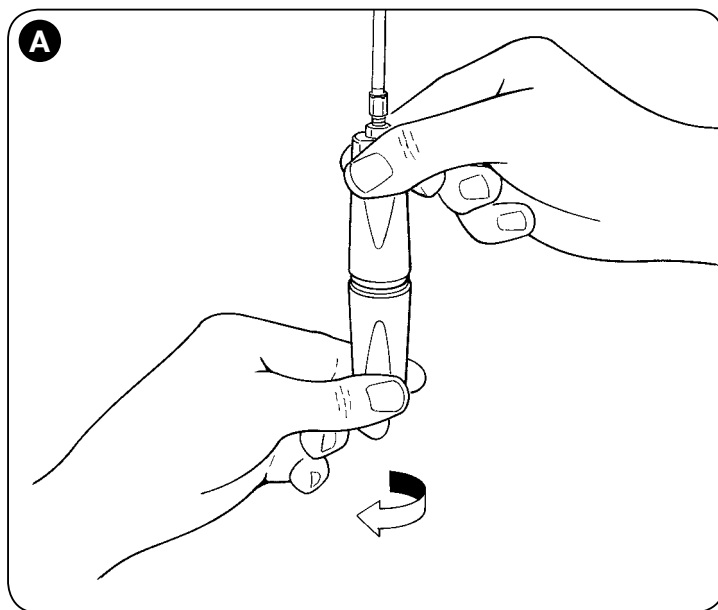
- **Déverrouiller le motoréducteur :**

**01.** Dévisser la partie inférieure du bouton dans le sens des aiguilles d'une montre jusqu'à rencontrer une certaine résistance (**fig. A**) .

**02.** ouvrir ou fermer le volet manuellement.

- **Verrouiller le motoréducteur :**

**01.** Visser la partie inférieure du bouton dans le sens contraire des aiguilles d'une montre jusqu'à rencontrer une certaine résistance (**fig. B**).



# Índice

<b>Capítulo 1 - ADVERTENCIAS Y PRECAUCIONES GENERALES</b>	
1.1 - Advertencias de seguridad . . . . .	1
1.2 - Advertencias de instalación . . . . .	1
<b>Capítulo 2 - DESCRIPCIÓN DEL PRODUCTO Y USO PREVISTO</b> . . . . .	2
<b>Capítulo 3 - INSTALACIÓN</b>	
3.1 - Controles previos a la instalación . . . . .	2
3.2 - Tareas previas a la instalación . . . . .	2
3.3 - Instalación del motorreductor . . . . .	2
3.4 - Regulación de los topes . . . . .	2
3.5 - Procedimiento de bloqueo y desbloqueo manual (solo para versiones irreversibles) . . . . .	2
<b>Capítulo 4 - ENSAYO Y PUESTA EN SERVICIO</b>	
4.1 - Ensayo final . . . . .	3
4.2 - Puesta en servicio . . . . .	3
<b>MANTENIMIENTO DEL PRODUCTO</b> . . . . .	3
<b>ELIMINACIÓN DEL PRODUCTO</b> . . . . .	3
<b>CARACTERÍSTICAS TÉCNICAS DEL PRODUCTO</b> . . . . .	3
<b>Declaración de conformidad</b> . . . . .	4
<b>Manual de uso</b> (anexo recortable) . . . . .	5
<b>IMÁGENES</b> . . . . .	I - IV

- 1.1 - Advertencias de seguridad**
- **¡ATENCIÓN!** - Instrucciones importantes de seguridad. Es importante respetar estas instrucciones a fin de preservar la seguridad de las personas, ya que una instalación incorrecta puede causar graves lesiones. Por tanto, antes de empezar a trabajar, lea detenidamente este manual. No obstante, si tiene alguna duda, póngase en contacto con el servicio de asistencia de Nice para que le oriente al respecto.
  - **¡ATENCIÓN!** - Guarde este manual para poder remitirse a él en caso de que surja la necesidad de realizar futuras operaciones de mantenimiento del producto y también para cuestiones relacionadas con el desecho del mismo.
  - **¡ATENCIÓN!** - Todas las tareas de instalación, conexión, programación y mantenimiento del producto debe llevarlas a cabo única y exclusivamente un técnico cualificado y competente a tal efecto, respetando en todo momento las leyes, la normativa, los reglamentos locales y las instrucciones descritas en el presente manual.

- 1.2 - Advertencias de instalación**
- Antes de comenzar con la instalación, lea el apartado 3.1 para comprobar que el producto sea apto para automatizar el cierre. No obstante, NO lo instale en caso de que el producto no sea el adecuado.
  - Es necesario que el sistema de automatización esté desconectado de la fuente de alimentación para realizar todas las operaciones de instalación y mantenimiento del producto. Además, por precaución, antes de iniciar la instalación, cuelgue del dispositivo de desconexión un cartel con la siguiente indicación: "¡ATENCIÓN! MANTENIMIENTO EN CURSO".
  - Antes de comenzar la instalación, aleje todos los cables eléctricos que no sean necesarios para la instalación y desactive todos los mecanismos que no sean precisos para el funcionamiento motorizado del cierre.
  - Durante la instalación, es necesario manipular el producto con precaución: hay que evitar roturas, golpes, caídas o que entre en contacto con líquidos de cualquier tipo; no taladre ni coloque tornillos en el exterior del motor; no coloque el producto cerca de fuentes de calor ni lo exponga a las llamas. El producto podría sufrir algún daño a causa de estas acciones que, además, podrían generar situaciones peligrosas o un funcionamiento inadecuado. En caso de que se produzca alguna situación de este tipo, interrumpa la instalación de inmediato y remítase al servicio de asistencia de Nice.
  - No aplique procedimientos distintos a los descritos en este manual para desmontar el producto.
  - No realice modificaciones en ningún componente del producto si estas no están contempladas en el presente manual, ya que las operaciones no permitidas no solo pueden provocar un funcionamiento inadecuado, sino que el fabricante también declina cualquier responsabilidad derivada de los daños que puedan resultar de modificaciones arbitrarias realizadas en el producto.
  - Durante la instalación del sistema, mantenga alejadas a todas las personas del cierre cuando éste se esté moviendo.
  - El material de embalaje del producto debe desecharse de conformidad con la normativa local.

- 1.3 - Advertencias de uso**
- El uso de este producto no está indicado para personas (incluidos los niños) cuya capacidad física, sensorial o mental sea reducida, ni para aquellos que no dispongan de la experiencia o los conocimientos necesarios, a menos que hayan podido beneficiarse, por mediación de una persona responsable de su seguridad, de un procedimiento vigilado o de instrucciones en relación con el uso del producto.
  - Es preciso vigilar a los niños para asegurarse de que estos no jueguen con el sistema de automatización.
  - No permita que los niños jueguen con los dispositivos de mando fijos. Asimismo, debe mantener los dispositivos de mando portátiles, es decir, los mandos a distancia, fuera del alcance de los niños.
  - Durante la ejecución de las maniobras, controle el sistema de automatización y asegúrese de que las personas estén lejos del mismo hasta que éste deje de moverse.
  - No ponga en funcionamiento el sistema de automatización cuando haya personas en sus proximidades realizando tareas como la limpieza de los cristales. Tenga en cuenta que debe desconectar el sistema de la fuente de alimentación antes de realizar estas tareas.
  - Revise el sistema de automatización con frecuencia para comprobar si presenta signos de desgaste, de daños o de desequilibrios. No utilice el sistema de automatización en caso de que éste precise de ajustes o reparaciones; de ser así, remítase exclusivamente a personal técnico cualificado para solucionar estos problemas.

GIRO es un motorreductor para cierres enrollables compensados con muelles. Permite automatizar cierres con una altura máxima de 6 m y con un peso de hasta 170 kg.

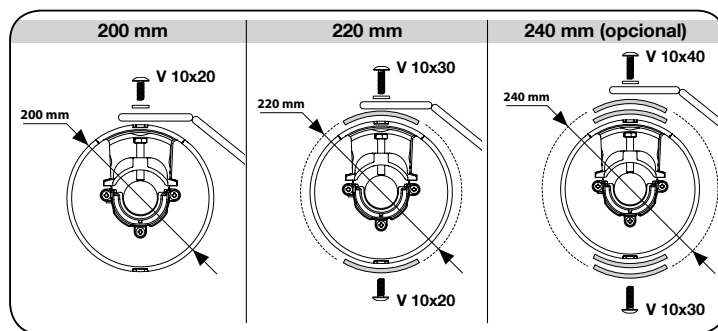
**Queda prohibido realizar cualquier otro uso. De hecho, el fabricante no se hace responsable de los daños derivados del uso inadecuado del producto, salvo en los casos previstos en el presente manual.**

Giro puede instalarse en cierres cuyo eje portamuelles tenga un diámetro de 200 mm y 220 mm (240 mm opcional). Las dos poleas existentes son de aluminio fundido a presión.

Giro está disponible en las siguientes versiones:

- GR170 y GR170/V1 versiones irreversibles
- GR170R versión reversible

Giro dispone de tope de tornillo micrométrico y de memoria mecánica de posición. Accesorios disponibles: se puede montar un segundo motorreductor (modelo GRA01, GRA01/V1 y GRA01R) para aumentar el par máximo a 340 Nm; para ello, remítase al manual de instrucciones correspondiente. KIO, selector de llave con desbloqueo por tirador. Adaptadores para caja portamuelles de 240 mm, eje portamuelles de 48 mm de diámetro.



**04.** Mida el diámetro del eje portamuelles:

- Continúe con la instalación en caso de que el diámetro sea igual a 76 mm.
- Si el diámetro es de 60 mm, aplique los adaptadores suministrados (**fig. 6 y 7**) y luego continúe con la instalación.
- Si el diámetro es de 48 mm (opcional), aplique los adaptadores (opcionales - no suministrados) (**fig. 6 y 7**) y luego continúe con la instalación.

**05.** Coloque el motorreductor en el eje portamuelles y bloquéelo con la ayuda del collar (**fig. 8**).

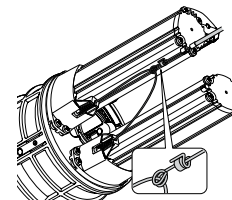
**06.** Atornille el pasador central (M10); para ello, debe introducirlo por el taladro realizado anteriormente en el eje portamuelles (punto 01), tal como se ilustra en la **fig. 9**.

**07.** Fije el motorreductor en el eje portamuelles atornillando los dos pasadores externos (M10); luego bloquee los tres pasadores con las tuercas (**fig. 9**).

**08.** Practique un agujero en el eje portamuelles para hacer pasar los cables (**fig. 10**).

para versiones irreversibles	para versiones reversibles
<b>09.</b> Haga pasar a través del agujero el cable de alimentación y el cable para el desbloqueo manual.	<b>09.</b> Haga pasar a través del agujero el cable de alimentación y pase directamente al <b>punto 13</b>

**10.** Sucesivamente, introduzca el cable de acero de desbloqueo manual en el lugar correspondiente, haciendo pasar el terminal por el interior del muelle (**fig. 11**); si fuera preciso, extraiga el muelle y vuelva a introducirlo. Para la versión de dos motores conectar el terminal del cable de desbloqueo al muelle como se indica en la figura.



**11.** Monte el pomo de desbloqueo con todos los reguladores enroscados (**A**), tal como se muestra en la **fig. 12**; a continuación, introduzca el cable y ténselo para bloquearlo posteriormente con el borne (**B**), tal como se ilustra en la **fig. 12**.

**12.** Ejecute la maniobra de desbloqueo manual: desenrosque el pomo inferior girándolo hacia la derecha (**fig. 13**);

**13.** Compruebe manualmente que el motorreductor esté desbloqueado. Si es preciso, ajuste los reguladores para eliminar el espacio sobrante.

**14.** Lubrique ligeramente los engranajes de la semipolea pequeña que se ha desmontado anteriormente (punto 02) y apriete al máximo los dos tornillos (M8), tal como se muestra en la **fig. 14**. En caso de que sea necesario, monte el adaptador externo en la semipolea, tal como se describe en el punto 04.

**15.** Realice las conexiones eléctricas tal como se muestra en la **fig. 15**.

**16.** Realice en la parte más alta del cierre un taladro de 11 mm de diámetro y fije esta parte en el orificio externo del motorreductor tal como se ilustra en la **fig. 16**.

**17.** Bloquee totalmente el perfil del cierre en el motorreductor con los tornillos (M10) y la tuerca (**fig. 16**).

### 3.4 - Regulación de los topes

**01.** Efectúe la maniobra de desbloqueo manual; para ello, gire el pomo inferior hacia la derecha (**fig. 13**); a continuación, ejecute manualmente una maniobra de apertura y cierre del sistema; compruebe que en este último caso el movimiento sea regular y silencioso.

**02. (solo para versiones irreversibles)** Gire el pomo inferior hacia la izquierda para bloquear el motorreductor (**fig. 18**).

**03.** Conecte el motorreductor a la red eléctrica y efectúe una maniobra de apertura; en este caso, compruebe que el cierre se detenga en el punto deseado. Para conseguir una mayor precisión, utilice las ruedas reguladoras (**fig. 18**). La flecha indica la dirección de rotación (el símbolo + indica un aumento del recorrido).

**04.** Realice varios intentos hasta encontrar la posición deseada.

### 3.5 - (solo para versiones irreversibles) Procedimiento de bloqueo y desbloqueo manual

**¡Importante!** - Para realizar las maniobras de bloqueo y desbloqueo manual del motorreductor, es necesario que el motorreductor esté totalmente detenido. Las operaciones manuales solo deben realizarse en caso de que no haya corriente eléctrica, si existen anomalías en el sistema o siempre que así se solicite en el presente manual de instrucciones.

#### Desbloqueo del motorreductor:

**01.** Desenrosque la parte inferior del pomo girándolo hacia la derecha hasta que perciba cierta resistencia (**fig. 13**).

**02.** Abra o cierre el sistema manualmente.

#### Bloqueo del motorreductor:

**01.** Enrosque la parte inferior del pomo girándolo hacia la izquierda hasta que perciba cierta resistencia (**fig. 17**).

## 3 INSTALACIÓN

### 3.1 - Controles previos a la instalación

**¡Atención!** - La instalación del motor debe realizarla personal cualificado; para ello, ha de respetar las leyes, las normas y los reglamentos aplicables, así como las indicaciones descritas en el presente manual de instrucciones.

Efectúe las siguientes comprobaciones antes de realizar la instalación:

- Compruebe la integridad de los componentes del producto en cuanto los extraiga del embalaje.
- Asegúrese de que el motor elegido sea apto para el sistema en que pretende instalarlo; para ello, compare las características técnicas nominales del mismo con la ficha técnica del cierre. Tenga en cuenta que **NO debe instalar el motor si las características de este (par nominal, velocidad de giro y tiempo de funcionamiento) no son las adecuadas para mover el cierre en que pretende instalarlo. En concreto, el par motor NO DEBE SER SUPERIOR al necesario para mover el cierre.** En el capítulo "Características técnicas" se encuentran disponibles límites de utilización adicionales.
- En caso de realizar la instalación en exteriores, asegúrese de garantizar una protección adecuada del motor frente a condiciones atmosféricas adversas.
- Asegúrese de que el cierre esté bien equilibrado: es decir, no debe moverse cuando se detenga en cualquier posición.
- Compruebe que en el cierre no haya puntos de fricción elevada, ya sea durante el movimiento de cierre o durante el de apertura.
- Asegúrese de que el movimiento del cierre sea regular y silencioso durante su trayectoria.
- Compruebe que la zona de fijación sea compatible con las dimensiones del motor; véase la **fig. 1**.
- Instale en la red de alimentación del sistema un dispositivo de desconexión con una distancia de apertura de los contactos que permita la desconexión completa en caso de que se den las condiciones establecidas para la categoría III de sobretensión.

### 3.2 - Tareas previas a la instalación

En la **fig. 2** se muestra un ejemplo de instalación de un sistema de automatización realizada con los siguientes componentes de **Nice**:

- a** - Motorreductor Giro
- b** - Caja de derivación
- c** - Pomo de desbloqueo (solo para versiones irreversibles)
- d** - Inversor de mando o central electrónica
- e** - Línea eléctrica de alimentación
- f** - Cajas portamuelles

Estos componentes se colocan según un esquema típico y usual. En función de lo que se muestra en la **fig. 2**, establezca la posición aproximada en que se instalará algún componente previsto para la instalación. **Importante:** antes de proceder con la instalación, prepare los cables eléctricos necesarios para la instalación que vaya a realizar; para ello, remítase a la **fig. 2**.

### 3.3 - Instalación del motorreductor

#### ADVERTENCIAS

- **Una instalación incorrecta puede provocar lesiones graves a quienes lleven a cabo la instalación y también a los usuarios del equipo.**
- **Antes de proceder con el montaje del sistema de automatización, realice las comprobaciones previas descritas en los apartados 3.1 y 3.2.**

**01.** Baje completamente el cierre para poder acceder al eje portamuelles, en el que ha de realizar un taladro de 9 mm de diámetro (**fig. 3**).

**02.** Desenrosque los dos tornillos M8 (**fig. 4**) para quitar la semipolea pequeña y, a continuación, retire el collar (**fig. 5**).

**03.** Mida el diámetro de las cajas portamuelles:

- Continúe con la instalación en caso de que el diámetro sea igual a 200 mm.
- Si el diámetro es de 220 mm o 240 mm (opcional), utilice el adaptador correspondiente, **fig. 6**.

**¡Importante!** - Si después del desbloqueo del motor se acciona la persiana manualmente y se superan los umbrales de regulación de los topes configurados anteriormente, los umbrales se actualizarán automáticamente con las nuevas posiciones alcanzadas.

## 4 ENSAYO Y PUESTA EN SERVICIO

### 4.1 - Ensayo

Estas son las etapas más importantes en la realización de la automatización para garantizar la seguridad máxima del sistema. El ensayo también puede utilizarse para comprobar periódicamente los dispositivos que componen el sistema de automatización. Las fases del ensayo y la puesta en servicio del sistema de automatización debe realizarlas personal técnico cualificado, que deberá encargarse de establecer los ensayos necesarios para verificar las soluciones adoptadas para los riesgos presentes y, además, deberá controlar que se respeten las leyes, las normativas y los reglamentos, en particular, todos los requisitos de la norma EN 12445 que establece los métodos de ensayo de los sistemas de automatización para puertas y cancelas. Los dispositivos adicionales deben ser sometidos a una prueba de ensayo específica, tanto en lo referente al funcionamiento como a su correcta interacción con GIRO. En este sentido, remítase a los manuales de instrucciones de cada uno de los dispositivos.

01. Asegúrese de que se respeten estrictamente las indicaciones descritas en el capítulo 1 "ADVERTENCIAS".
02. Compruebe que las fusiones estén en buen estado; es decir, que no presenten roturas.
03. Asegúrese de que el motorreductor esté bien sujeto al eje portamuelles.
04. Verifique que las uniones realizadas mediante tornillos estén bien apretadas.
05. Compruebe que los contactos eléctricos estén en buen estado.
06. Compruebe que la polea no tenga juegos axiales excesivos.
07. Ejecute una maniobra completa de subida y bajada para comprobar el ajuste de los topes.
08. Compruebe que el motorreductor no inicie ningún movimiento cuando esté bloqueado en cualquier punto.
09. (solo para versiones irreversibles) Asegúrese de que el desbloqueo libere el motorreductor del cierre con suavidad.

### 4.2 - Puesta en servicio

La puesta en servicio puede llevarse a cabo sólo después de haber realizado correctamente todas las etapas de ensayo.

01. Elabore y conserve durante al menos 10 años el expediente técnico del sistema de automatización, que deberá incluir como mínimo: el dibujo del conjunto del sistema de automatización, el esquema de las conexiones eléctricas, el análisis de los riesgos y las soluciones adoptadas, la declaración de conformidad del fabricante de todos los dispositivos utilizados (para Giro utilice la Declaración de conformidad CE adjunta), la copia del manual de instrucciones de uso y el programa de mantenimiento del sistema de automatización.
02. Coloque sobre la cancela una placa que contenga al menos los siguientes datos: tipo de sistema de automatización, nombre y dirección del fabricante (responsable de la "puesta en servicio"), número de matrícula, año de fabricación y marca "CE".
03. Coloque una etiqueta o una placa permanente en las proximidades de la cancela, donde se indiquen los pasos necesarios para el desbloqueo y la maniobra manual.
04. Elabore la declaración de conformidad correspondiente y entréguela al

propietario del sistema.

05. Elabore el manual de instrucciones y advertencias de uso del sistema de automatización y entréguelo al propietario del sistema.
06. Elabore el programa de mantenimiento del sistema de automatización y entréguelo al propietario del sistema. Este programa debe incluir todas las prescripciones sobre el mantenimiento de cada dispositivo.
07. Antes de poner en funcionamiento el sistema de automatización, informe según proceda y por escrito al propietario del sistema (por ejemplo, con el manual de instrucciones y advertencias de uso del sistema de automatización) acerca de los peligros y los riesgos existentes.

## MANTENIMIENTO DEL PRODUCTO

Es preciso seguir un mantenimiento programado de todo el sistema de automatización cada 6 meses a fin de preservar el nivel de seguridad y para garantizar la máxima vida útil del producto.

**¡ATENCIÓN!** – El mantenimiento debe efectuarse respetando las prescripciones en materia de seguridad de este manual y según las leyes y normativas vigentes.

01. Desconecte cualquier fuente de alimentación eléctrica, incluidas las baterías compensadoras.
02. Compruebe el estado de todos los materiales que componen el sistema de automatización, controlando especialmente los fenómenos de erosión y oxidación de las piezas de la estructura; sustituya las piezas que no sean lo suficientemente seguras.
03. Compruebe el desgaste de las piezas en movimiento.
04. Conecte las fuentes de alimentación eléctrica y ejecute todos los ensayos y controles previstos en el apartado "4.1 Ensayo".

## ELIMINACIÓN DEL PRODUCTO

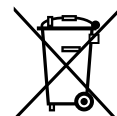
**Este producto forma parte del sistema de automatización y, por tanto, debe desecharse con él.**

Al igual que con la instalación, al finalizar la vida útil del producto en cuestión, las operaciones de eliminación también deben realizarlas personas cualificadas a tal efecto.

Este producto está fabricado con varios tipos de materiales: algunos se pueden reciclar y otros han de ser desechados. Es preciso obtener información acerca de los sistemas de reciclaje y eliminación previstos en los reglamentos aplicables en su región para esta categoría de producto.

**¡Atención!** – Algunos componentes del producto pueden contener sustancias contaminantes o peligrosas que, de liberarse al medio ambiente, podrían causar graves daños al medio ambiente y a la salud humana.

Según indica el símbolo que aparece en el lateral, está prohibido desechar este producto en lugares habilitados para residuos domésticos. Por tanto, practique la "recogida selectiva" para su eliminación en función de los métodos estipulados en la normativa vigente de su región. También puede devolver el producto al proveedor cuando vaya a adquirir un producto nuevo equivalente.



**¡Atención!** – Las normativas aplicables a escala local pueden imponer fuertes sanciones en caso de que este producto se deseche de forma inadecuada.

## CARACTERÍSTICAS TÉCNICAS DEL PRODUCTO

**ADVERTENCIAS:** • Todas las características técnicas indicadas se refieren a una temperatura ambiente de 20 °C (±5 °C).  
• Nice S.p.a. se reserva el derecho de modificar el producto siempre que lo estime oportuno, pero manteniendo en todo momento la misma funcionalidad y el mismo uso previstos.

### Nota:

- GR170 y GR170/V1 versiones irreversibles
- GR170R versión reversible

MODELO	GR170 GR170R	GR170/V1	GR340	GR340/V1
Alimentación/frecuencia	230V / 50Hz	120V / 60Hz	230V / 50Hz	120V / 60Hz
Intensidad absorbida	1,9 A	4 A	3,3 A	7,6 A
Potencia absorbida	430 W	455 W	800 W	900 W
Par máximo	170 Nm	170 Nm	340 Nm	340 Nm
Fuerza máxima de elevación con Ø = 200 mm	170 kg	170 kg	340 kg	340 kg
Diámetro estándar del eje del cierre	76 mm*	76 mm*	76 mm*	76 mm*
Diámetro de las pletinas enrollables	200 mm**	200 mm**	200 mm**	200 mm**
Velocidad de rotación de corona (sin carga)	8 RPM	10 RPM	8 RPM	10 RPM
Temperatura ambiental de funcionamiento	-20°C ÷ 50°C	-20°C ÷ 50°C	-20°C ÷ 50°C	-20°C ÷ 50°C
Grado de protección	IP 20	IP 20	IP 20	IP 20
Protector térmico	100°C	100°C	100°C	100°C
Tiempo de funcionamiento constante	4 minutos	40 s on 40 s off	4 minutos	40 s on 40 s off
N.º máx. de maniobras diarias	10 (no consecutivas)	10 (no consecutivas)	10 (no consecutivas)	10 (no consecutivas)
Peso	7 kg	7 kg	10,5 kg	10,5 kg

\* 60 mm con adaptador suministrado - 48 mm con adaptador opcional

\*\* 220 con adaptador de serie - 240 con adaptador opcional

# Manual de uso

## (facilitar al usuario final)

- **Antes de usar por primera vez el automatismo**, pida a su instalador que le explique el origen de los riesgos residuales y lea este manual de **instrucciones y advertencias para el usuario** entregado por el instalador. Conserve el manual por cualquier problema que pueda surgir y recuerde entregarlo a un posible nuevo propietario del automatismo.

- **El automatismo es una maquina que ejecuta fielmente los mandos enviados**; por tanto, cualquier accionamiento accidental o inadecuado puede resultar peligroso: por consiguiente, no accione el automatismo cuando en su radio de acción haya personas, animales u objetos.

- **Niños**: la instalación de un sistema de automatización garantiza un elevado grado de seguridad, impidiendo, gracias a sus sistemas de detección, que se mueva ante la presencia de personas u objetos y garantizando una activación previsible y segura. Procure que los niños no jueguen cerca del automatismo y mantenga los controles remotos fuera de su alcance: **¡no son un juguete!**

- **Inspeccione la instalación con frecuencia**, sobre todo, los cables, los muelles y los soportes, para comprobar posibles desequilibrios y signos de desgastes o daños. Compruebe mensualmente si el motor invierte el movimiento cuando la puerta toca un objeto colocado con una altura de 50 mm. No ponga en funcionamiento el sistema de automatización en caso de que sea necesario realizar tareas de reparación o ajuste, ya que, cualquier avería en el sistema o algún desequilibrio en el cierre podrían causar lesiones.

- **Anomalías**: en caso de detectar alguna anomalía en el funcionamiento del sistema de automatización, desconéctelo de la alimentación eléctrica. No intente repararlo por su cuenta; llame a su instalador de confianza.

**(solo para versiones irreversibles)** El sistema puede funcionar manualmente: desbloquee el motorreductor tal y como se describe en la sección "Desbloqueo y bloqueo manual".

- **Mantenimiento**: para garantizar una larga vida útil y para un funcionamiento seguro, la instalación, al igual que cualquier otra maquinaria, requiere un mantenimiento periódico. Establezca con su instalador un programa de mantenimiento periódico; Nice aconseja realizar un mantenimiento cada 6 meses para un uso residencial normal, que puede variar según la intensidad. Cualquier tipo de control, mantenimiento o reparación debe realizarlo sólo personal cualificado a tal efecto.

- Aunque considere que sabe hacerlo, no modifique el sistema ni los parámetros de programación ni de regulación del automatismo, ya que la responsabilidad recae en el instalador.

- La persona que desarrolle las tareas de ensayo, el mantenimiento periódico y las posibles reparaciones del sistema deberá aportar los documentos que acrediten la realización de tales operaciones y, asimismo, el propietario del sistema deberá conservar tales documentos.

**Las únicas operaciones** que pueden hacerse y que le aconsejamos efectuar periódicamente consisten en retirar las hojas o piedras que puedan obstaculizar el sistema de automatización.

**(solo para versiones irreversibles)** Para impedir un accionamiento indeseado de la persiana, antes de proceder, recuerde **desbloquear el sistema** (tal y como se describe en la sección "Desbloqueo y bloqueo manual") y **desconectar todas las fuentes de alimentación** (incluyendo las baterías de compensación que estén presentes).

- **Eliminación**: al final de la vida útil del sistema de automatización, la eliminación de éste debe realizarla personal cualificado y, asimismo, los materiales han de reciclarse y desecharse de conformidad con las normas locales vigentes.

### (solo para versiones irreversibles) Desbloqueo y bloqueo manual

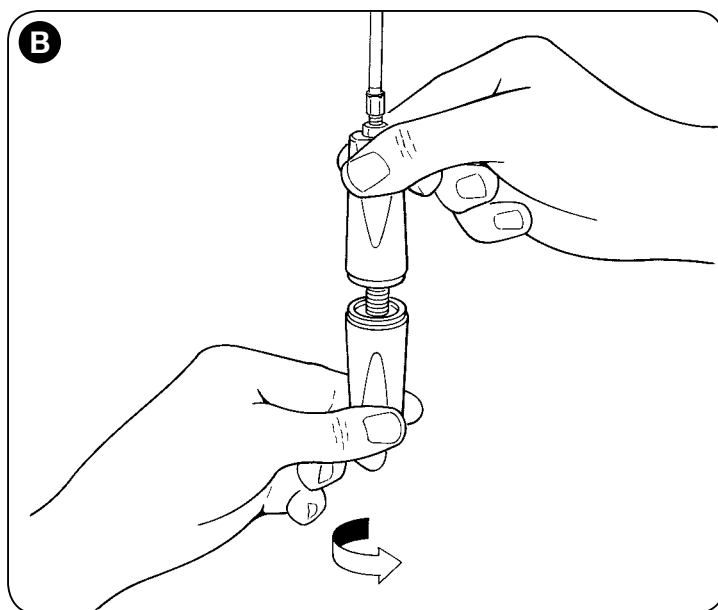
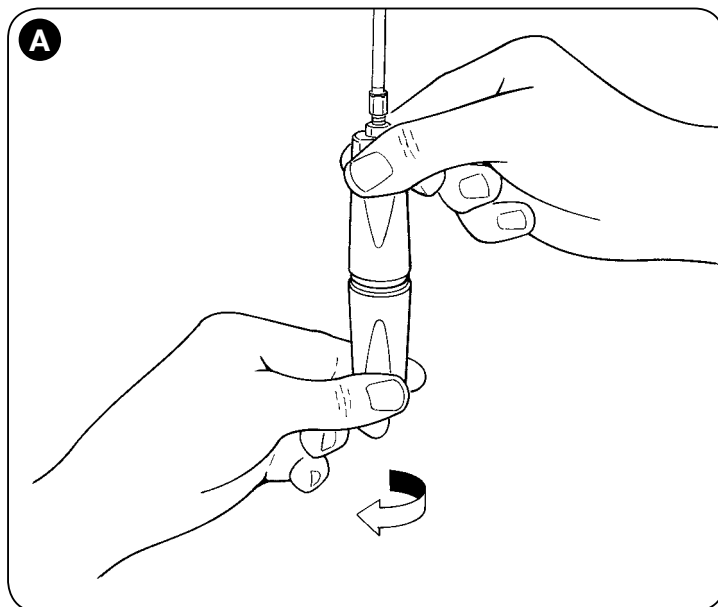
- **Desbloqueo del motorreductor:**

**01.** Desenrosque la parte inferior del pomo girándolo hacia la derecha hasta que perciba cierta resistencia (**fig. A**).

**02.** Abra o cierre el sistema manualmente.

- **Bloqueo del motorreductor:**

**01.** Enrosque la parte inferior del pomo girándolo hacia la izquierda hasta que perciba cierta resistencia (**fig. B**).



# Zusammenfassung

**Kapitel 1 - ALLGEMEINE HINWEISE UND MASSNAHMEN**

1.1 - Sicherheitshinweise ..... 1

1.2 - Hinweise zur Installation ..... 1

**Kapitel 2 - PRODUKTBSCHREIBUNG UND VERWENDUNG** ..... 2

**Kapitel 3 - INSTALLATION**

3.1 - Überprüfungen vor der Installation ..... 2

3.2 - Vorbereitende Arbeiten vor der Installation ..... 2

3.3 - Installation des Getriebemotors ..... 2

3.4 - Einstellung der Endanschläge ..... 2

3.5 - Verfahren für die manuelle Ver- und Entriegelung (nur für irreversible Versionen) ..... 2

**Kapitel 4 - ABNAHME UND INBETRIEBSETZUNG**

4.1 - Endabnahme ..... 3

4.2 - Inbetriebsetzung ..... 3

**WARTUNG DES PRODUKTS** ..... 3

**ENTSORGUNG DES PRODUKTS** ..... 3

**TECHNISCHE MERKMALE DES PRODUKTS** ..... 3

**Konformitätserklärung** ..... 4

**Gebrauchsanweisung** (herausnehmbare Anlage) ..... 5

**BILDER** ..... I - IV

1 – Deutsch

## 1.1 - Sicherheitshinweise

- **ACHTUNG!** - Wichtige Sicherheitsanweisungen. Diese Anweisungen befolgen, um die Sicherheit der Personen zu garantieren und da eine ungeeignete Installation schwere Verletzungen verursachen kann. Die Anweisungen genau durchlesen, bevor man mit der Arbeit beginnt; in Zweifelsfällen fragen Sie bitte den Kundendienst Nice.
- **ACHTUNG!** - Bewahren Sie dieses Handbuch für etwaige Wartungsmaßnahmen und die Entsorgung des Produkts auf.
- **ACHTUNG!** - Alle Installations-, Anschluss-, Programmierungs- und Wartungsarbeiten, die das Produkt betreffen, dürfen nur von einem kompetenten Fachtechniker unter Beachtung der Gesetze, der Bestimmungen, der örtlichen Regelungen und der in diesem Handbuch aufgeführten Anweisungen ausgeführt werden.

## 1.2 - Hinweise zur Installation

- Vor Beginn der Installation prüfen Sie, ob dieses Produkt für die Automatisierung Ihres ROLLTORS geeignet ist. Wenn das Produkt NICHT geeignet sein sollte, dürfen sie NICHT mit der Installation fortfahren.
- Alle Installations- und Wartungsarbeiten müssen bei elektrisch abgeschalteter Automatisierung erfolgen. Außerdem, vor Beginn der Arbeit der Trennvorrichtung ein Schild mit der nachstehenden Aufschrift anbringen: „ACHTUNG! LAUFENDE WARTUNGSARBEITEN“.
- Bevor man mit der Installation beginnt, müssen alle elektrischen Kabel, die nicht für die Anlage benötigt werden, aus dem Arbeitsbereich entfernt werden; ebenfalls müssen alle Mechanismen deaktiviert werden, die nicht für den motorisierten Betrieb des Rolltors notwendig sind.
- Während der Installation das Produkt mit Sorgfalt behandeln: Quetschungen, Stöße, Herunterfallen oder Berührungen mit allen Flüssigkeiten vermeiden; den Motor nicht anbohren oder Schrauben an ihm anbringen; das Produkt nicht in die Nähe von Wärmequellen bringen und keinem offenen Feuer aussetzen. Solche Handlungen können das Produkt beschädigen und Betriebsstörungen oder gefährliche Situationen hervorrufen. Sollte dies der Fall sein, die Installation unverzüglich unterbrechen und sich an den Nice-Kundendienst wenden.
- Das Produkt nur soweit zerlegen, wie es in dieser Betriebsanleitung vorgesehen wird.
- Änderungen nur an Produktteilen vornehmen, für die diese in dieser Betriebsanleitung vorgesehen sind. Unerlaubte Tätigkeiten können zu Störungen führen. Der Hersteller übernimmt keinerlei Haftung für Schäden, die durch willkürlich veränderte Produkte entstanden sind.
- Während der Realisierung der Anlage eventuell umstehende Personen aus der Bewegungszone des Rolltors fern halten.
- Das Verpackungsmaterial des Produkts muss unter Beachtung der örtlichen Vorschriften entsorgt werden.

## 1.3 - Gebrauchshinweise

- Das Produkt ist nicht dazu bestimmt, von Personen mit verminderten körperlichen, sensorischen und mentalen Fähigkeiten benutzt zu werden (einschließlich Kinder), oder von Personen mit fehlender Erfahrung und Kenntnissen, es sei denn, sie werden durch eine für ihre Sicherheit verantwortliche Person überwacht oder über die Gebrauchsanweisungen eingewiesen.
- Kinder müssen überwacht werden, um sicherzustellen, dass sie nicht mit dem Automatismus spielen.
- Kinder dürfen nicht mit den festen Steuerungen der Automatisierung spielen. Die Steuervorrichtungen (ferngesteuert) außerhalb der Reichweite von Kindern aufbewahren.
- Während der Ausführung eines Manövers den Automatikbetrieb kontrollieren und die Personen in einem Sicherheitsabstand halten, bis die Bewegung beendet ist.
- Die Automatisierung nicht bedienen, wenn sich in deren Nähe Personen aufhalten, die Arbeiten ausführen, wie z.B. Fenster putzen; trennen Sie die Stromversorgung, bevor diese Arbeiten ausgeführt werden.
- Kontrollieren Sie regelmäßig die Automatisierung, um Verschleißzeichen, Schäden oder Unausgeglichenheiten zu entdecken. Betätigen Sie die Automatisierung nicht, wenn Einstellungen oder Reparaturen daran auszuführen sind; für die Lösung dieser Probleme wenden Sie sich ausschließlich an technisches Fachpersonal.

GIRO ist ein Getriebemotor für Rolltore mit Federausgleich. Er erlaubt die Automatisierung von Rolltoren mit einer Höhe von max 6 m und einem Gewicht bis zu 170 kg.

**Jeder anderweitige Einsatz ist verboten! Der Hersteller haftet nicht für Schäden, die auf einen unsachgemäßen Gebrauch des Produkts im Vergleich zu der Beschreibung in diesem Handbuch zurückzuführen sind.**

GIRO kann auf Rolltoren mit einer Federträgerwelle von 200 mm Durchmesser

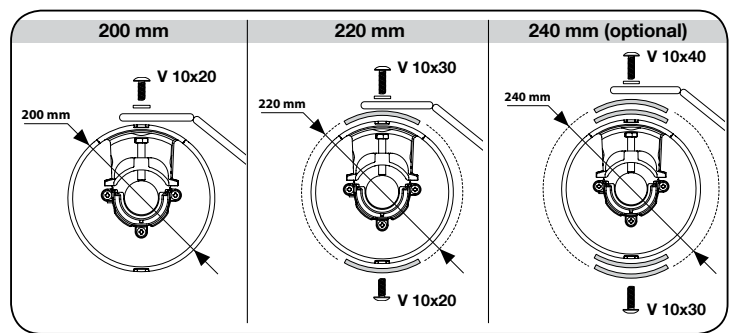
und 220 mm (240 mm optional) installiert werden. Die beiden Ringe sind aus druckgepresstem Aluminium.

Giro ist in folgenden Versionen verfügbar:

- GR170 und GR170/V1 irreversible Versionen
- GR170R reversible Version

Giro, verfügt über einen Endanschlag mit Mikrometerschraube und mechanischem Positionsspeicher.

Verfügbares Zubehör: man kann einen 2. Getriebemotor (Modell GRA01, GRA01/V1 und GRA01R) installieren, um das maximale Drehmoment auf 340 Nm zu bringen; beziehen Sie sich dafür bitte auf die entsprechende Bedienungsanleitung. KIO, Schlüsselschalter mit Seilentriegelung. Adaptern für das Federträgergehäuse von 240 mm, Federträgerwelle mit 48 mm Durchmesser.



## 3 INSTALLATION

### 3.1 - Überprüfungen vor der Installation

**Achtung!** - Die Installation des Motors muss von qualifiziertem Personal unter genauester Beachtung der Gesetze, Vorschriften und Verordnungen und der Angaben in den vorliegenden Anweisungen ausgeführt werden.

Vor der Installation, folgendes prüfen:

- Beim Auspacken, die Mängelfreiheit der Bauteile des Produktes.
- Die Eignung des gewählten Motors prüfen, indem man seine technischen Eigenschaften mit den technischen Eigenschaften des Rolltors vergleicht; den **Motor NICHT installieren, wenn seine Eigenschaften (Nenn-Drehmoment, Drehgeschwindigkeit und Betriebszeit) nicht dazu geeignet sind, Ihr Rolltor zu bewegen. Das Motordrehmoment darf NICHT HÖHER SEIN; als das notwendige Drehmoment für die Bewegung des Rolltors.** Weitere Einsatzbeschränkungen können Sie den Angaben im Kapitel „Technische Merkmale“ entnehmen.
- Im Falle einer Installation im Freien muss der Motor einen geeigneten Schutz gegen Witterungsverhältnisse gewährleisten.
- Prüfen, dass das Rolltor richtig ausgeglichen ist: es darf sich nicht bewegen, wenn man es in irgend einer Position anhält.
- Prüfen, dass das Rolltor keine Punkte mit höherer Reibung bei der Schließ- und Öffnungsbewegung aufweist.
- Prüfen, dass das Rolltor auf seinem Weg gleichmäßige und regelmäßige Bewegungen ausführt.
- Prüfen, dass der Befestigungsbereich für den Platzbedarf des Motors geeignet ist **Abb. 1**.
- Im Speisungsnetz der Anlage eine Trennvorrichtung mit einem Kontakt-Öffnungsabstand vorsehen, der die vollständige Trennung laut den Vorschriften der Überspannungskategorie III ermöglicht.

### 3.2 - Vorbereitende Arbeiten vor der Installation

Die **Abb. 2** zeigt ein Beispiel für eine Automatisierungsanlage, die mit Nice-Komponenten realisiert wurde:

- a - Getriebemotor Giro
- b - Verteilerkasten
- c - Entriegelungsknauf (nur für irreversible Versionen)
- d - Steuerungsinverter oder elektronische Steuerung
- e - Elektrische Versorgungsleitung
- f - Federgehäuse

Diese Einzelteile wurden nach einem typischen und gebräuchlichen Schema positioniert. Position, in der die für die Anlage vorgesehenen Komponenten installiert werden sollen, indem Sie die **Abb. 2** zu Rate ziehen. **Wichtig** - Bevor Sie mit der Installation beginnen, sollten Sie alle für die Anlage notwendigen Stromkabel vorbereiten, siehe **Abb. 2**.

### 3.3 - Installation des Getriebemotors

#### HINWEISE

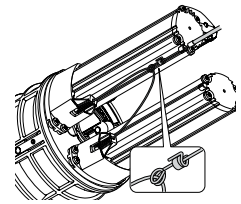
- Eine fehlerhafte Installation kann zu schwerwiegenden Verletzungen bei der Person führen, die die Installation ausführt, sowie bei den Personen, die die Anlage bedienen.
- Bevor Sie mit dem Zusammenbau der Automation beginnen, müssen die im Kapitel 3.1 und 3.2 beschriebenen Vorprüfungen durchgeführt werden.

01. Das Rolltor komplett schließen, um zur Federträgerwelle zu gelangen; an letzterer eine Bohrung mit einem Durchmesser von 9 mm ausführen (**Abb. 3**)
02. Den kleinen Halbring entfernen, indem man die beiden Schrauben M8 (**Abb. 4**) löst und die darunter liegende Schelle entfernt (**Abb. 5**).
03. Den Durchmesser der Federträgergehäuse messen:
  - ist der Durchmesser gleich 200 mm, mit der Installation fortfahren.
  - Beträgt der Durchmesser 220 mm oder 240 mm (optional), den speziellen Adapter (**Abb. 6**) benutzen.

04. Den Durchmesser der Federträgerwelle messen:
  - Ist der Durchmesser gleich 76 mm, mit der Installation fortfahren.
  - Beträgt der Durchmesser 60 mm, die im Lieferumfang enthaltenen Adapter (**Abb. 6** und **7**) benutzen und mit der Installation fortfahren.
  - Beträgt der Durchmesser 48 mm (optional), die jeweiligen nicht im Lieferumfang enthaltenen Adapter (optional, **Abb. 6** und **7**) benutzen und mit der Installation fortfahren.
05. Den Getriebemotor in der Federträgerwelle positionieren und mit der Schelle blockieren (**Abb. 8**).
06. Den mittleren Dorn (M10) eindrehen, indem man ihn durch die vorher in der Federträgerwelle ausgeführten Bohrung einsetzt (Punkt 01), siehe **Abb. 9**.
07. Den Getriebemotor an der Federträgerwelle befestigen; dazu die beiden äußeren Dorne (M10) festschrauben, dann alle drei Dorne mit den entsprechenden Muttern blockieren (**Abb. 9**).
08. Ein Loch im Federdorn ausführen, durch das die Kabel geführt werden (**Abb. 10**).

nur für irreversible Versionen	für reversible Versionen
09. Das Versorgungskabel und das Kabel zur manuellen Entriegelung durch das Loch führen.	09. Das Versorgungskabel durch das Loch führen und direkt zu <b>Punkt 13</b> gehen

10. Das Stahlkabel für die manuelle Entriegelung in den Sitz einführen und dabei das interne Endstück durch der Feder (**Abb. 11**) durchziehen; eventuell die Feder entfernen und dann wieder einsetzen. Für die Version mit zwei Motoren das Ende des Freigabekabels gemäß Abbildung an die Feder anschließen.
11. Den Entriegelungsgriff mit allen eingedrehten Reglern (**A**) **Abb. 12** zusammensetzen; dann das Kabel einsetzen, unter Spannung halten und mit der Klemme blockieren (**B**) **Abb. 12**.
12. Das manuelle Entriegelungsmanöver ausführen: den unteren Griff im Uhrzeigersinn abschrauben (**Abb. 13**);
13. Von Hand prüfen, dass der Getriebemotor entriegelt ist. Ggf. die Regler betätigen, um den überschüssigen Platz zu eliminieren.
14. Die Verzahnung des kleinen Halbringes, der vorher ausgebaut wurde (Punkt 2) leicht einfetten und die beiden Schrauben (M8) komplett eindrehen (**Abb. 14**). Eventuell den externen Adapter am Halbring anbringen, wie in Punkt 04 beschrieben.
15. Die elektrischen Anschlüsse wie in **Abb. 15** ausführen.
16. Am oberen Teil des Rolltors eine Bohrung von 11 mm Durchmesser ausführen und diesen Teil am externen Loch des Getriebemotors befestigen **Abb. 16**.
17. Den Rahmen des Rolltors mit der Schraube (M10) und der Unterlegscheibe (**Abb. 16**) am Getriebemotor befestigen.



### 3.4 - Einstellung der Endanschläge

01. Die manuelle Entriegelung ausführen, indem man den unteren Griff im Uhrzeigersinn abschraubt (**Abb. 13**) und dann ein Öffnungs- und Schließmanöver des Rolltors ausführt; prüfen, dass letzterer eine gleichmäßige und leise Bewegung ausführt.
02. (nur für irreversible Versionen) Den Getriebemotor blockieren, indem man den unteren Griff gegen den Uhrzeigersinn anzieht (**Abb. 18**).
03. Den Getriebemotor mit Strom versorgen und ein Öffnungsmanöver ausführen; prüfen, dass das Rolltor am gewünschten Punkt anhält. Für eine größere Präzision, die Einstellringe betätigen (**Abb. 18**). Der Pfeil zeigt die Drehrichtung an (das Symbol + weist auf eine Erweiterung des Weges hin).
04. Mehrere Versuche ausführen, um die gewünschte Position zu finden.

### 3.5 - (nur für irreversible Versionen) Verfahren für die manuelle Ver- und Entriegelung

**Wichtig!** - Die Manöver für die manuelle Ver- und Entriegelung des Getriebemotors dürfen nur ausgeführt werden, wenn der Getriebemotor komplett still steht. Das manuelle Manöver darf nur ausgeführt werden, wenn kein Strom vorhanden ist, wenn Störungen der Anlage vorliegen oder wenn dies ausdrücklich in der Bedienungsanleitung verlangt wird.

#### Den Getriebemotor entriegeln.

01. Den unteren Teil des Griffes im Uhrzeigersinn abschrauben, bis man einen bestimmten Widerstand bemerkt (**Abb. 13**);
02. Das Rolltor manuell öffnen oder schließen.

## Den Getriebemotor blockieren:

**01.** Den unteren Teil des Griffes gegen den Uhrzeigersinn anziehen, bis man einen bestimmten Widerstand bemerkt (**Abb. 17**).

**Wichtig!** - Wenn der Rollladen nach dem Entblockieren des Motors von Hand über die mit Endschaltern eingestellten Endlagen hinaus bewegt wird, werden automatisch die neuen Endlagenpositionen übernommen.

# 4 ABNAHME UND INBETRIEBSETZUNG

## 4.1 - Abnahme

Um die höchste Sicherheit der Anlage zu gewährleisten, sind dies die wichtigsten Schritte bei der Realisierung der Automatisierung. Die Abnahme kann auch verwendet werden, um die Vorrichtungen der Automatisierung regelmäßig zu prüfen. Die Abnahme und Inbetriebnahme der Automatisierung muss von erfahrenem und qualifiziertem Fachpersonal ausgeführt werden, das die erforderlichen Tests je nach vorhandenem Risiko übernimmt und die Einhaltung der Bestimmungen in Gesetzen, Vorschriften und Verordnungen zu überprüfen hat, insbesondere alle Anforderungen der Norm EN12445, die Testmethoden zur Überprüfung der Automatismen für Tore und Türen festlegt.

Die zusätzlichen oder hinzugefügten Vorrichtungen müssen einer spezifischen Abnahme unterzogen werden, was ihre Funktionstüchtigkeit und ihre korrekte Verbindung mit der Schranke angeht.

- 01.** Prüfen, dass alle „HINWEISE“ im Kapitel 1 strikt eingehalten wurden.
- 02.** Kontrollieren, dass die Verbindungen in gutem Zustand sind und keine Brüche aufweisen.
- 03.** Prüfen, dass der Getriebemotor gut an der Federträgerwelle befestigt ist.
- 04.** Kontrollieren, dass die Schraubenverbindungen komplett angezogen sind.
- 05.** Prüfen, dass die elektrischen Kontakte in gutem Zustand sind.
- 06.** Prüfen, dass der Ring kein zu großes Axialspiel aufweist.
- 07.** Die Einstellungen der Endanschläge prüfen, indem man ein komplettes Manöver ausführt (Anheben - Absenken).
- 08.** Prüfen, dass der Getriebemotor, der an irgend einem Punkt blockiert wurde, keine Anzeichen für Bewegung aufweist.
- 09. (nur für irreversible Versionen)** Prüfen, dass die Entriegelung den Getriebemotor des Rolltors leicht löst.

## 4.2 - Inbetriebnahme

Die Inbetriebnahme darf erst erfolgen, nachdem alle Abnahmephasen erfolgreich beendet sind.

- 01.** Den technischen Ordner der Automatisierung erstellen und mindestens 10 Jahre aufbewahren. Er muss folgendes enthalten: Gesamtzeichnung der Automatisierung, Schaltplan mit den elektrischen Anschlüssen, Risikoanalyse und jeweilige angewendete Lösungen, Konformitätserklärung des Herstellers für alle benutzten Vorrichtungen (für Giro die anliegende „CE-Konformitätserklärung“ verwenden), Kopie der Bedienungsanweisungen und des Wartungsplans der Automatisierung.
- 02.** Am Tor ein Schild mit mindestens nachstehenden Daten anbringen: Automatisierungstyp, Name und Adresse des Herstellers (Verantwortlicher der „Inbetriebnahme“), Seriennummer, Baujahr und CE-Markierung.
- 03.** In Tornähe auf bleibende Art ein Etikett oder ein Schild befestigen, dass die Angaben zur Durchführung der Entriegelung und der Bewegung von Hand enthält.
- 04.** Die Konformitätserklärung der Automatisierung anfertigen und dem Inhaber aushändigen.

ber aushändigen.

- 05.** Das Handbuch „Bedienungsanleitung und Hinweise für den Gebrauch der Automatisierung“ anfertigen und dem Besitzer aushändigen.
- 06.** Den Wartungsplan der Automatisierung anfertigen und dem Inhaber aushändigen. Er muss alle Wartungsvorschriften der einzelnen Vorrichtungen enthalten.
- 07.** Vor der Inbetriebsetzung des Automatismus, den Inhaber auf geeignete Weise und schriftlich (z.B. in den „Anweisungen und Hinweise für die Bedienung der Automatisierung“) über die noch vorhandenen Gefahren und Risiken informieren.

## WARTUNG DES PRODUKTS

Um das Sicherheitsniveau beizubehalten und die maximale Lebensdauer der kompletten Automatisierung zu garantieren, ist alle 6 Monate eine programmierte Wartung notwendig.

**ACHTUNG!** – Die Wartung muss unter genauester Einhaltung der im vorliegenden Handbuch verzeichneten Sicherheitsbestimmungen und der Verordnungen der gültigen Gesetze und Vorschriften ausgeführt werden.

- 01.** Alle elektrischen Versorgungsquellen, inklusive eventuelle Pufferbatterien abschalten.
- 02.** Die Verschlechterung aller Materialien der Automatisierung überprüfen, mit besonderer Achtung auf Erosions- oder Roststellen an strukturellen Teilen; Teile, die nicht genügend Garantie bieten, müssen ersetzt werden.
- 03.** Den Verschleiß der Bewegungselemente überprüfen.
- 04.** Die elektrischen Versorgungsquellen wieder anschließen und alle in Punkt „4.1 Abnahme“ vorgesehenen Tests und Überprüfungen durchführen.

## ENTSORGUNG DES PRODUKTS

**Dieses Produkt ist wesentlicher Bestandteil der Automation und muss zusammen mit derselben entsorgt werden.**

Wie die Installationsarbeiten muss auch die Abrüstung am Ende der Lebensdauer dieses Produkts von Fachpersonal ausgeführt werden.

Dieses Produkt besteht aus verschiedenen Materialtypen: einige können recycelt werden, andere müssen entsorgt werden. Informieren Sie sich über die Recycling- oder Entsorgungssysteme für dieses Produkt, die von den auf Ihrem Gebiet gültigen Verordnungen vorgesehen sind.

**Achtung!** – Einige Teile des Produkts können umweltschädliche oder gefährliche Stoffe enthalten, die, wenn sie in der Umwelt entsorgt werden, schädliche Auswirkungen auf die Umwelt selbst und die Gesundheit des Menschen haben können.

Wie durch das Symbol seitlich angegeben, ist es verboten, dieses Produkt im Haushaltsmüll zu entsorgen. Halten Sie sich bitte daher an die „Mülltrennung“ für die Entsorgung, die von den geltenden Vorschriften auf Ihrem Gebiet vorgesehen ist, oder geben Sie das Produkt an Ihren Verkäufer zurück, wenn sie ein gleichwertiges neues Produkt kaufen.



**Achtung!** – Die örtlich geltenden Vorschriften können schwere Strafen vorsehen, wenn dieses Produkt unsachgemäß entsorgt wird.

## TECHNISCHE MERKMALE DES PRODUKTS

**HINWEISE:** • Alle angegebenen technischen Merkmale beziehen sich auf eine Umgebungstemperatur von 20°C (±5°C).  
• Nice S.p.a. behält sich das Recht vor, jederzeit als nötig betrachtete Änderungen am Produkt vorzunehmen, wobei Funktionalitäten und Einsatzzweck beibehalten werden.

### Anmerkung:

- **GR170 und GR170/V1 irreversible Versionen**
- **GR170R reversible Version**

MODELL	GR170 GR170R	GR170/V1	GR340	GR340/V1
Stromversorgung / Frequenz	230V / 50Hz	120V / 60Hz	230V / 50Hz	120V / 60Hz
Stromaufnahme	1,9 A	4 A	3,3 A	7,6 A
Aufgenommene Leistung	430 W	455 W	800 W	900 W
Max. Drehmoment	170 Nm	170 Nm	340 Nm	340 Nm
Max. Hubkraft mit Ø 200mm	170 kg	170 kg	340 kg	340 kg
Standard-Durchmesser der Rolltorwelle	76 mm*	76 mm*	76 mm*	76 mm*
Durchmesser der Aufrollflanschen	200 mm**	200 mm**	200 mm**	200 mm**
Drehgeschwindigkeit der Krone (im Leerlauf)	8 RPM	10 RPM	8 RPM	10 RPM
Betriebstemperatur	-20°C ÷ 50°C	-20°C ÷ 50°C	-20°C ÷ 50°C	-20°C ÷ 50°C
Schutzart	IP 20	IP 20	IP 20	IP 20
Wärmeschutzschalter	100°C	100°C	100°C	100°C
Zeit des Dauerbetriebs	4 minuten	40 s on 40 s off	4 minuten	40 s on 40 s off
Max. Anzahl der Manöver am Tag	10 (nicht aufeinanderfolgend)	10 (nicht aufeinanderfolgend)	10 (nicht aufeinanderfolgend)	10 (nicht aufeinanderfolgend)
Gewicht	7 kg	7 kg	10,5 kg	10,5 kg

\* 60 mm bei mitgeliefertem Adapter - 48 mm bei optionalem Adapter

\*\* 220 mm bei mitgeliefertem Adapter - 240 mm bei optionalem Adapter



# Bedienungsanleitung

(Muss dem Endbenutzer übergeben werden)

- **Bevor Sie die Automatisierung zum ersten Mal verwenden,** lassen Sie sich von Ihrem Installateur erklären, wie Restrisiken entstehen können, und widmen Sie dem Lesen **der Anweisungen und Hinweise für den Benutzer**, die Ihnen Ihr Installateur aushändigen wird, ein paar Minuten. Bewahren Sie die Anleitung für zukünftige Zweifelsfälle auf und übergeben Sie diese ggf. einem neuen Besitzer der Automatisierung.
- **Ihre Automatisierung ist ein Gerät, das Ihre Befehle zuverlässig ausführt;** durch eine unverantwortliche und ungeeignete Benutzung kann sie gefährlich werden: keine Bewegungen der Automatisierung ausführen lassen, wenn Personen, Tiere oder Gegenstände in der Nähe vorhanden sind.
- **Kinder:** Eine Automatisierungsanlage gewährleistet einen hohen Sicherheitsgrad und verhindert mit ihren Schutzsystemen, dass sie sich in Anwesenheit von Personen und Gegenständen bewegt. Sie gewährleistet eine immer vorhersehbare und sichere Aktivierung. Als Vorsichtsmaßnahme sollte man aber Kindern verbieten, in der Nähe der Automatisierung zu spielen, und man sollte die Fernbedienungen nicht in der Reichweite von Kindern lassen: **Es handelt sich nicht um ein Spiel!**
- **Regelmäßig die Anlage,** vor Allem die Kabel, die Federn und die Halterungen kontrollieren, um Unausgeglichheiten und Verschleißzeichen oder Schäden zu ermitteln. Monatlich prüfen, dass der Bewegungsmotor umgekehrt wird, wenn das Tor einen Gegenstand mit 50 mm Höhe, der am Boden positioniert wurde, berührt. Den Automatismus nicht benutzen, wenn eine Reparatur oder Einstellung ausgeführt werden muss, da ein Defekt oder ein nicht korrekt ausgeglichenes Tor Verletzungen verursachen kann.
- **Anomalien:** wird ein ungewöhnliches Verhalten der Automatisierung bemerkt, muss die Stromversorgung zur Anlage getrennt werden. Versuchen Sie nie, selbst Reparaturen auszuführen, sondern fordern Sie den Eingriff des Installateurs Ihres Vertrauens an.

**(nur für irreversible Versionen)** Die Anlage kann manuell betrieben werden: den Antrieb wie unter Punkt „Manuelle Entriegelung und Verriegelung“ beschrieben entriegeln.

- **Wartung:** wie jede Maschine benötigt auch Ihre Automatisierung eine regelmäßige Wartung, damit sie so lange wie möglich und in voller Sicherheit funktionieren kann. Vereinbaren Sie mit Ihrem Installateur einen programmierten Wartungsplan; Nice empfiehlt eine programmierte Wartung alle 6 Monate bei Normalgebrauch für den Haushalt, dieser Zeitraum kann aber je nachdem, wie häufig die Anlage benutzt wird, unterschiedlich sein. Arbeiten wie Wartung, Kontrollen und Reparaturen dürfen nur von Fachpersonal ausgeführt werden.
- Auch wenn Sie meinen, dass Sie wissen, wie das gemacht wird, ändern Sie die Anlage und die programmierten Parameter sowie die Einstellungen der Automatisierung nicht: diese Verantwortung liegt bei Ihrem Installateur.
- Die Endabnahme, die regelmäßigen Wartungen und eventuelle Reparaturen müssen von dem, der diese Arbeiten ausführt, belegt sein, und diese Belege müssen vom Besitzer der Anlage aufbewahrt werden.

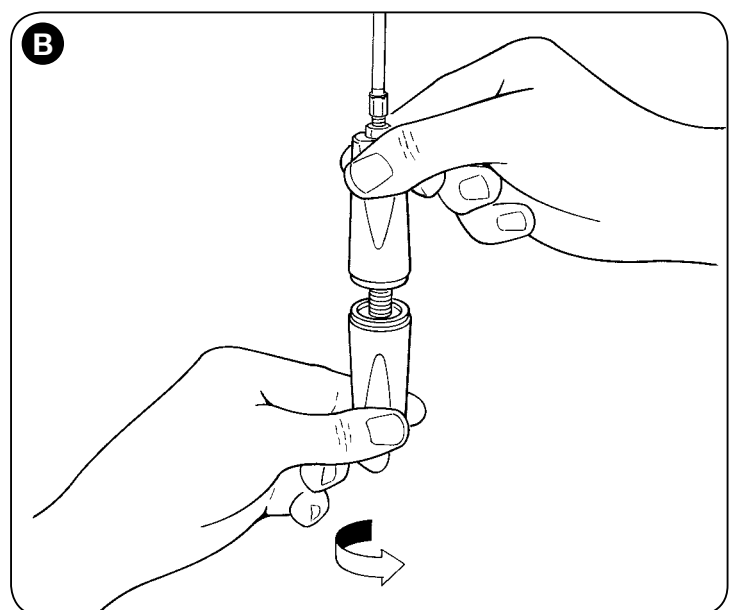
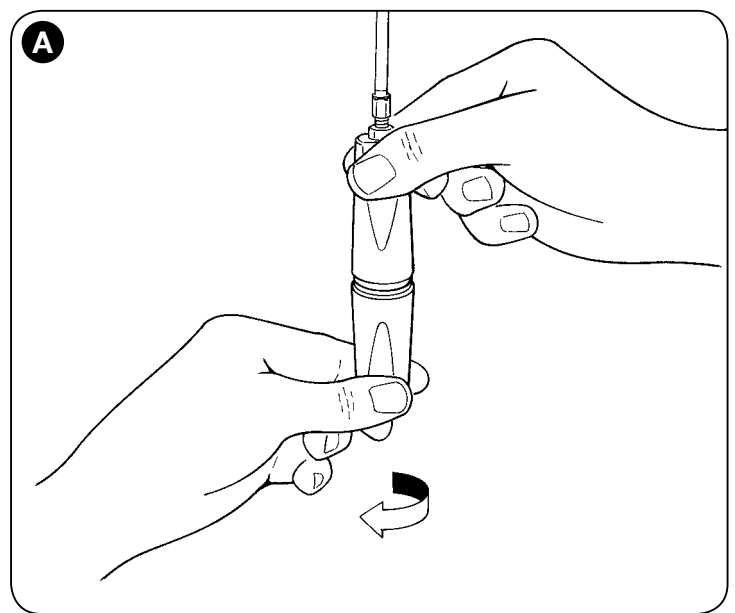
**Die einzigen Eingriffe,** die Sie ausführen können und periodisch auch ausführen sollten, sind die Entfernung eventueller Blätter oder Steine, die den Automatismus behindern könnten.

**(nur für irreversible Versionen)** Um zu verhindern, dass jemand das Rollgitter betätigt, muss vor dem Eingriff der **Automatismus entriegelt** (wie unter Punkt „Manuelle Entriegelung und Verriegelung“ beschrieben.) und **alle Stromversorgungen** (auch Pufferbatterien, wenn vorhanden) getrennt werden.

- **Entsorgung:** Versichern Sie sich, dass die Demontage am Ende der Lebensdauer Ihrer Automatisierung von Fachpersonal ausgeführt wird und dass die Materialien nach den örtlich gültigen Vorschriften recycelt oder entsorgt werden.

## **(nur für irreversible Versionen) Manuelle Entriegelung und Verriegelung**

- **Den Getriebemotor entriegeln:**
  01. Den unteren Teil des Griffes im Uhrzeigersinn abschrauben, bis man einen bestimmten Widerstand bemerkt (**Abb. A**);
  02. Das Rolltor manuell öffnen oder schließen.
- **Den Getriebemotor blockieren:**
  01. Den unteren Teil des Griffes gegen den Uhrzeigersinn anziehen, bis man einen bestimmten Widerstand bemerkt (**Abb. B**).



# Spis treści

<b>Rozdział 1 - INSTRUKCJE I OGÓLNE ZALECENIA</b>	
1.1 Ostrzeżenia dotyczące bezpieczeństwa	1
1.2 Ostrzeżenia dotyczące montażu	1
<b>Rozdział 2 - OPIS PRODUKTU I PRZEZNACZENIE</b>	<b>2</b>
<b>Rozdział 3 - MONTAŻ</b>	
3.1 - Kontrole wstępne przed montażem	2
3.2 - Prace przygotowujące do montażu	2
3.3 - Montaż siłownika	2
3.4 - Regulacja krańcówek	2
3.5 - Procedura ręcznego zasprężania i wysprężania (tylko do wersji nieodwracalnych)	2
<b>Rozdział 4 - PRÓBY ODBIORCZE I ROZRUCH</b>	
4.1 - Odbiór końcowy	3
4.2 - Rozruch	3
<b>KONSERWACJA URZĄDZENIA</b>	<b>3</b>
<b>UTYLIZACJA URZĄDZENIA</b>	<b>3</b>
<b>DANE TECHNICZNE URZĄDZENIA</b>	<b>3</b>
<b>Deklaracja zgodności</b>	<b>4</b>
<b>Instrukcja obsługi (załącznik do wycięcia)</b>	<b>5</b>
<b>RYSUNKI</b>	<b>I-IV</b>
1 - Polski	

## 1.1 - Ostrzeżenia dotyczące bezpieczeństwa

- **UWAGA! Ważne instrukcje dotyczące bezpieczeństwa. Przestrzeganie tych instrukcji ma ogromne znaczenie dla bezpieczeństwa osób, gdyż niewłaściwy montaż może doprowadzić do poważnych obrażeń ciała. Przed rozpoczęciem pracy należy dokładnie zapoznać się z niniejszym podręcznikiem, a w razie wątpliwości zwrócić się o pomoc do serwisu technicznego firmy Nice.**
- **UWAGA! Niniejszą instrukcję należy zachować na wypadek ewentualnej konserwacji lub rozbioru produktu.**
- **UWAGA! Wszystkie czynności związane z montażem, podłączaniem, programowaniem i konserwacją urządzenia powinny być wykonywane wyłącznie przez wykwalifikowany i kompetentny personel techniczny, który ma obowiązek przestrzegać przepisów, norm, lokalnych rozporządzeń oraz instrukcji zawartych w niniejszym podręczniku.**

## 1.2 - Ostrzeżenia dotyczące montażu

- Przed rozpoczęciem montażu należy sprawdzić, czy urządzenie jest przystosowane do napędzania posiadanej przez Państwa bramy rolowanej (patrz punkt 3.1). Jeżeli produkt nie jest odpowiedni, NIE należy wykonywać montażu.
- Wszelkie czynności montażowe i konserwację urządzenia należy wykonywać po odłączeniu automatyki od zasilania elektrycznego. Dla bezpieczeństwa, przed rozpoczęciem pracy należy zawiesić na urządzeniu wyłączającym tabliczkę z napisem „UWAGA! KONSERWACJA W TOKU”.
- Przed rozpoczęciem montażu należy odsunąć wszystkie przewody elektryczne niepotrzebne do instalacji i odłączyć wszystkie mechanizmy, które nie są niezbędne do zautomatyzowanego działania bramy.
- Podczas montażu należy ostrożnie manipulować urządzeniem: nie dopuszczać do jego zgniatania, uderzania, upadania lub kontaktu z wszelkimi płynami. Nie należy wykonywać otworów w obudowie zewnętrznej silnika ani ustawiać urządzenia w pobliżu źródeł ciepła lub płomieni. Działania takie mogą doprowadzić do uszkodzenia urządzenia i spowodować jego nieprawidłowe działanie lub sytuacje zagrożenia. Jeżeli zdarzenie takie nastąpi, należy niezwłocznie przerwać montaż i zwrócić się do serwisu technicznego firmy Nice.
- Nie należy demontować urządzenia w sposób nieprzewidziany w niniejszej instrukcji.
- Nie należy modyfikować żadnej z części urządzenia, jeżeli modyfikacje takie nie zostały przewidziane w niniejszej instrukcji. Wykonywanie niedozwolonych czynności może spowodować wyłącznie nieprawidłowe działanie urządzenia. Producent nie ponosi odpowiedzialności za szkody wynikające z samowolnych modyfikacji urządzenia.
- Podczas wykonywania montażu należy zadbać, aby inne osoby nie zbliżały się do bramy, kiedy ta znajduje się w ruchu.
- Opakowanie urządzenia należy utylizować zgodnie z lokalnymi przepisami.

## 1.3 - Ostrzeżenia dotyczące użytkowania

- Urządzenie nie jest przeznaczone do użytku przez osoby (również dzieci), których możliwości fizyczne, czuciowe lub umysłowe są ograniczone. Z urządzenia nie mogą również korzystać osoby bez doświadczenia i stosownej wiedzy, chyba działają pod opieką osoby odpowiedzialnej za ich bezpieczeństwo oraz nadzorującej i instruujejącej je na temat użytkowania urządzenia.
- Dzieci należy nadzorować i sprawdzać, czy nie bawią się urządzeniem.
- Nie należy pozwalać dzieciom na zabawę stałymi urządzeniami sterującymi. Przenośne urządzenia sterujące (zdalne) należy przechowywać z dala od dzieci.
- Podczas wykonywania manewru należy nadzorować automatykę i zadbać, aby inne osoby nie zbliżały się do niej aż do czasu zakończenia operacji.
- Nie należy sterować automatyką, kiedy w jej pobliżu znajdują się osoby myjące okna czy wykonujące konserwację; przed wykonaniem tych czynności należy odłączyć zasilanie elektryczne.
- Należy wykonywać częste przeglądy automatyki, celem wykrycia ewentualnych oznak zużycia, uszkodzenia lub niewyważenia. Nie używać automatyki, jeżeli wymaga ona wykonania regulacji lub napraw. W celu naprawienia usterek zwracać się wyłącznie do wyspecjalizowanego personelu technicznego.

## 2 OPIS PRODUKTU ORAZ JEGO PRZEZNACZENIE

GIRO to siłownik do bram rolowanych równoważonych sprężynowo. Umożliwia automatyzację bram o maksymalnej wysokości 6 m i ciężarze do 170 kg.

**Każde inne zastosowanie jest zabronione! Producent nie ponosi odpowiedzialności za szkody spowodowane nieprawidłowym użytkowaniem urządzenia, niezgodnym z przeznaczeniem określonym w niniejszym podręczniku.**

GIRO można instalować w okiennicach, których średnica wału przytrzymującego sprężyny wynosi od 200 mm i 220 mm (240 mm opcjonalnie). Występujące w urządzeniu dwie nasadki pierścieniowe wykonane są z aluminium odlewane ciśnieniowo.

Siłownik Giro jest dostępny w następujących wersjach:  
- GR170 i GR170/V1 wersje nieodwracalne

- GR170R wersja odwracalna

Urządzenie Giro wyposażone jest w krawcówkę ze śrubą mikrometryczną oraz system mechanicznego zapamiętywania pozycji.

Dostępne urządzenia dodatkowe: istnieje możliwość zamontowania 2. siłownika (model GRA01, GRA01/V1 i GRA01R), aby zwiększyć maksymalny moment obrotowy do 340 Nm. W tym celu należy zapoznać się z właściwą instrukcją obsługi. KIO, przelącznik kluczowy z odblokowywaniem przewodowym. Adaptery skrzynki ze sprężynami: 240 mm, wał przytrzymujący sprężyny: średnica 48 mm.

## 3 MONTAŻ

### 3.1 - Kontrole wstępne przed montażem

**Uwaga! Montaż silnika powinien wykonać wykwalifikowany personel, zgodnie z przepisami prawa, normami i rozporządzeniami oraz instrukcjami niniejszego podręcznika.**

Przed rozpoczęciem montażu należy przeprowadzić następujące kontrole:

- Sprawdzić integralność elementów urządzenia wyjętych z opakowania.
- Sprawdzić przydatność wybranego silnika, porównując jego nominalne parametry techniczne z parametrami posiadanej bramy. **NIE należy montować silnika, jeżeli jego parametry (nominalny moment obrotowy, prędkość obrotowa i czas funkcjonowania) nie są przystosowane do napędzania posiadanej bramy rolowanej. W szczególności moment obrotowy silnika NIE MOŻE PRZEKRACZAĆ wartości niezbędnej do automatyzacji bramy.** Dodatkowe ograniczenia w zastosowaniu urządzenia przedstawione zostały w rozdziale „Dane techniczne”.
- W przypadku montażu na wolnym powietrzu należy zagwarantować odpowiednie zabezpieczenie silnika przed czynnikami atmosferycznymi.
- Sprawdzić, czy brama jest dobrze wyważona: oznacza to, że nie powinna poruszać się, jeśli pozostawiona jest nieruchomo w dowolnej pozycji.
- Sprawdzić, czy zarówno podczas ruchu zamykania, jak i otwierania bramy nie występują punkty zwiększonego oporu.
- Sprawdzić, czy brama wykonując manewr przesuwa się w sposób regularny i bez hałasu.
- Sprawdzić, czy strefa montażu jest dopasowana do wymiarów gabarytowych silnika **rys. 1**.
- W sieci zasilania instalacji należy przygotować urządzenie odłączające, którego odległość pomiędzy stykami podczas otwarcia zapewnia całkowite odłączenie w warunkach określonych przez III kategorię przepięciową.

### 3.2 - Prace przygotowujące do montażu

Na **rys. 2** przedstawiony został przykład instalacji automatyki, wykonanej przy użyciu komponentów firmy **Nice**:

- a - Siłownik Giro
- b - Puszka rozgałęźna
- c - Pokrętło wysprzęglające (tylko do wersji nieodwracalnych)
- d - Inwertor sterujący lub centrala elektroniczna
- e - Linia elektryczna zasilająca
- f - Bębny sprężynowe

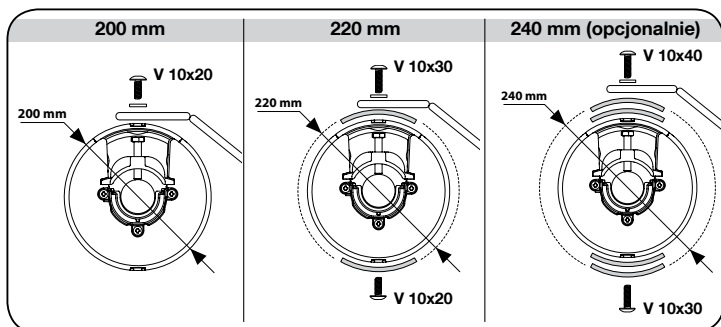
Komponenty te ustawione są zgodnie z typowym i powszechnie stosowanym schematem. Postępując się **rys. 2** ustalić przybliżoną pozycję, w której zamontowany zostanie każdy z komponentów instalacji. **Ważne** – Przed wykonaniem montażu należy przygotować kable elektryczne niezbędne do podłączenia posiadanego urządzenia, patrz **rys. 2**.

### 3.3 - Montaż siłownika

#### OSTRZEŻENIA

- **Nieprawidłowy montaż może doprowadzić do poważnego uszkodzenia ciała osób montujących i użytkujących instalację.**
- **Przed rozpoczęciem montażu automatyki należy wykonać kontrole wstępne opisane w punktach 3.1 i 3.2.**

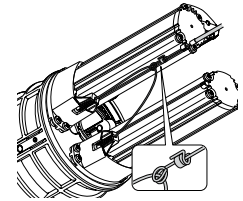
01. Zamknąć całkowicie bramę, aby umożliwić dostęp do wałka sprężynowego. Wykonać w wałku otwór przelotowy o średnicy 9 mm (**rys. 3**).
02. Zdjąć małą nasadkę półpiersieniową, odkręcając dwie śruby M8 (**rys. 4**) i wyjąć znajdujący się pod nią kołnier (rys. 5).
03. Zmierzyć średnicę bębnow sprężynowych:
  - jeżeli średnica wynosi 200 mm, kontynuować montaż.
  - jeżeli średnica wynosi 220 mm lub 240 mm (opcjonalnie), użyć stosownego adaptera **rys. 6**.



04. Zmierzyć średnicę bębna sprężynowego:
  - jeżeli średnica wynosi 76 mm, kontynuować montaż.
  - jeśli średnica wynosi 60 mm, zastosować stosowne adaptery będące na wyposażeniu (**rys. 6 i 7**), po czym przystąpić do montażu.
  - jeśli średnica wynosi 48 mm (opcjonalnie), zastosować stosowne adaptery (opcjonalne) będące na wyposażeniu (**rys. 6 i 7**), po czym przystąpić do montażu.
05. Ustawić siłownik na wałku sprężynowym i zablokować go za pomocą kołnierza (**rys. 8**).
06. Przykręcić środkowy kołek (M10), przekładając go przez wykonany wcześniej w wałku otwór (punkt 01), patrz **rys. 9**.
07. Motoreduktor przymocować do wału przytrzymującego sprężyny, dokręcając obydwa zewnętrzne kołki (M10); następnie zablokować wszystkie trzy kołki, używając w tym celu odnośnych nakrętek (**rys. 9**).
08. Wykonać otwór na wałku sprężynowym w celu przełożenia przewodów (**rys. 10**).

do wersji nieodwracalnych	do wersji odwracalnych
09. Przełożyć przewód zasilający i przewód do odblokowania ręcznego przez otwór.	09. Przełożyć przewód zasilający przez otwór i przejść bezpośrednio do punktu 13.

10. Następnie, włożyć stalowy przewód odblokowania ręcznego do odpowiedniego gniazda, przekładając końcówkę przez środek sprężyny (**rys. 11**); w razie konieczności, wyjąć i ponownie włożyć sprężynę. W wersji z dwoma silnikami, podłączyć terminal przewodu odblokowania do sprężyny w sposób przedstawiony na rysunku.



11. Zmontować pokrętło wysprzęglające z wszystkimi dokręcanymi elementami regulacyjnymi (**A**) **rys. 12**. Następnie włożyć przewód i napinając go, przymocować go zaciskiem (**B**) **rys. 12**.
12. Wykonać manewr ręcznego wysprzęglania: odkręcić dolne pokrętło w kierunku przeciwnym do ruchu wskazówek zegara (**rys. 13**);
13. Sprawdzić ręcznie, czy siłownik jest wysprzęglony. W razie konieczności usunąć nadmierną przestrzeń za pomocą elementów regulacyjnych.
14. Nasmarować delikatnie zęby wcześniej zdemontowanej małej nasadki półpiersieniowej (punkt 02) i przykręcić do niej do oporu dwie śruby (M8) (**rys. 14**). Zamontować adapter zewnętrzny (jeśli jest używany) na nasadce półpiersieniowej, jak wskazano w punkcie 04.
15. Wykonać podłączenia elektryczne, jak pokazano na **rys. 15**.
16. Na szczycie bramy wykonać otwór o średnicy 11 mm i przymocować tę część do zewnętrznego otworu w siłowniku **rys. 16**.
17. Przykręcić do oporu płaszczyznę bramy do siłownika, wykorzystując w tym celu śrubę (M10) z podkładką (**rys. 16**).

### 3.4 - Regulacja krawcówek

01. Wykonać manewr ręcznego wysprzęglania, odkręcając dolne pokrętło w kierunku ruchu wskazówek zegara (**rys. 13**), następnie wykonać manewr otwarcia i zamknięcia bramy. Sprawdzić, czy przesuwa się ona w sposób regularny i bez hałasu.
02. (tylko do wersji nieodwracalnych) Zamocować siłownik, dokręcając dolne pokrętło w kierunku przeciwnym do ruchu wskazówek zegara (**rys. 18**).
03. Złączyć zasilanie elektryczne w siłowniku i wykonać manewr otwierania. Sprawdzić, czy brama zatrzymuje się w wyznaczonym punkcie. Dla większej precyzji posłużyć się kółkami regulacyjnymi (**rys. 18**). Strzałka wskazuje kierunek obrotu (symbol + oznacza wydłużenie posuwu).
04. Kontynuować regulację, wykonując kilka prób w celu ustalenia docelowej pozycji.

### 3.5 - (tylko do wersji nieodwracalnych) Procedura ręcznego zasprzęglania i wysprzęglania

**Ważne!** – Manewry ręcznego zasprzęglania i wysprzęglania siłownika należy wykonywać tylko wtedy, gdy siłownik jest całkowicie nieruchomy.

Operacje ręczne należy wykonywać wyłącznie w przypadku braku prądu elektrycznego, usterek w instalacji lub jeżeli ich wykonanie jest wyraźnie wskazane w instrukcjach obsługi.

#### Wysprzęglanie siłownika:

01. Odkręcić w kierunku ruchu wskazówek zegara dolną część pokrętła, aż zacznie stawiać opór (**rys. 13**);
02. Otworzyć lub zamknąć ręcznie bramę.

#### Zasprzęglanie siłownika:

01. Odkręcić w kierunku przeciwnym do ruchu wskazówek zegara dolną część pokrętła, aż zacznie stawiać opór (**rys. 17**).

**Ważne!** - Jeśli, po odblokowaniu silnika, roleta zostanie przesunięta ręcznie i zostaną przekroczone uprzednio ustawione progi regulacji ograniczników, zostaną one zaktualizowane w sposób automatyczny zgodnie z nowymi, osiągniętymi pozycjami.

## 4.1 - Próby odbiorcze

Te fazy są najważniejsze podczas montażu automatyki, ich celem jest zagwarantowanie maksymalnego bezpieczeństwa instalacji. Próby odbiorcze można wykonywać również w celu przeprowadzenia okresowych kontroli urządzeń składających się na automat. Poszczególne etapy prób odbiorczych i wprowadzenia automatu do użytku powinny zostać wykonane przez wykwalifikowany i doświadczony personel, którego obowiązkiem jest wyznaczenie niezbędnych prób, mających na celu sprawdzenie rozwiązań dostosowanych do występujących zagrożeń oraz sprawdzenie przestrzegania zaleceń przewidzianych przez obowiązujące przepisy, normy i ustawy; w szczególności wszystkich wymogów normy 12445, która określa metody wykonywania kontroli automatów przeznaczonych do bram i drzwi.

Urządzenia dodatkowe należy poddać dodatkowym próbom odbiorczym, zarówno pod względem ich funkcjonalności, jak i prawidłowych interakcji z siłownikiem GIRO. W tym celu należy posłużyć się instrukcjami obsługi poszczególnych urządzeń.

01. Sprawdzić, czy warunki przedstawione w rozdziale 1 „OSTRZEŻENIA” zostały skrupulatnie spełnione.
02. Sprawdzić, czy odlewy są w dobrym stanie, to znaczy czy nie występują w nich pęknięcia.
03. Sprawdzić, czy siłownik jest stabilnie przymocowany do wału sprężynowego.
04. Sprawdzić, czy połączenia śrubowe są dokręcone do oporu.
05. Sprawdzić, czy styki elektryczne są w dobrym stanie.
06. Sprawdzić, czy na nasadce pierścieniowej nie występują nadmierne luzy wzdłużne.
07. Sprawdzić regulację krańcówek, wykonując pełen manewr (podniesienie – opuszczanie).
08. Sprawdzić, czy siłownik zatrzymany w dowolnym punkcie nie wykona żadnego ruchu.
09. (tylko do wersji nieodwracalnych) Sprawdzić, czy wysprzęglenie pozwala na łatwe odłączenie siłownika od bramy.

## 4.2 - Rozruch

Wprowadzenie urządzenia do użytku może nastąpić dopiero po wykonaniu wszystkich faz próby odbiorczej zakończonych wynikiem pozytywnym.

01. Przez co najmniej 10 lat trzeba przechowywać dokumentację techniczną automatyki, która powinna zawierać: rysunek złożeniowy instalacji, schemat połączeń elektrycznych, analizę zagrożeń wraz z odpowiednimi, zastosowanymi rozwiązaniami, deklarację zgodności producenta wszystkich użytych urządzeń (dla GIRO wykorzystać załączoną Deklarację zgodności CE); kopię instrukcji obsługi i harmonogram konserwacji automatyki.
02. Na bramie należy zamocować tabliczkę zawierającą przynajmniej następujące dane: rodzaj automatyki, nazwę i adres producenta (osoby odpowiedzialnej za rozruch), numer seryjny, rok produkcji i oznaczenie „CE”.
03. Zamocować na bramie na stałe etykietkę lub tabliczkę z opisem czynności wysprzęglania oraz wykonywania manewru w trybie ręcznym.
04. Przygotować i przekazać właścicielowi deklarację zgodności automatyki.
05. Przygotować i przekazać właścicielowi podręcznik z „Instrukcjami i ostrzeżeniami na temat użytkowania automatyki”.
06. Przygotować i przekazać właścicielowi harmonogram konserwacji auto-

matyki (który musi zawierać wszystkie zlecenia dotyczące konserwacji poszczególnych urządzeń).

07. Przed oddaniem automatyki do użytku należy poinformować właściciela w formie pisemnej (na przykład za pomocą podręcznika z instrukcjami i ostrzeżeniami na temat użytkowania automatyki) o występujących nadal niebezpieczeństwach i zagrożeniach związanych z pracą urządzenia.

## KONSERWACJA URZĄDZENIA

W celu utrzymania stałego poziomu bezpieczeństwa i zapewnienia maksymalnego czasu użytkowania automatyki, niezbędne jest regularne wykonywanie czynności konserwacyjnych co 6 miesięcy.

**UWAGA! - Czynności konserwacyjne należy wykonać przestrzegając ściśle zaleceń na temat bezpieczeństwa, umieszczonych w niniejszym podręczniku oraz według aktualnie obowiązujących przepisów prawa i norm.**

01. Odłączyć zasilanie od siłownika (również akumulator awaryjny, jeśli jest używany).
02. Sprawdzić i ocenić stan zużycia wszystkich podzespołów wchodzących w skład automatyki, ze szczególnym uwzględnieniem zjawiska korozji lub utlenienia elementów konstrukcyjnych. Wymienić elementy, które nie zapewniają odpowiedniego bezpieczeństwa.
03. Sprawdzić stan zużycia elementów ruchomych.
04. Ponownie podłączyć źródła zasilania elektrycznego oraz wykonać próby i kontrole przewidziane w punkcie 4.1 „Próby odbiorcze”.

## UTYLIZACJA PRODUKTU

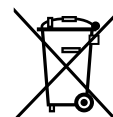
**Niniejszy produkt stanowi integralną część automatu, a zatem należy go utylizować razem z automatem.**

Tak, jak w przypadku montażu, również po upływie okresu użytkowania tego produktu, czynności demontażowe powinien wykonywać wykwalifikowany personel.

Ten produkt składa się z różnego rodzaju materiałów: niektóre z nich mogą zostać poddane recyklingowi, inne powinny zostać poddane utylizacji. Należy we własnym zakresie zapoznać się z informacjami na temat recyklingu i utylizacji przewidzianych w lokalnie obowiązujących przepisach dla danej kategorii produktu.

**Uwaga!** Niektóre części urządzenia mogą zawierać skażające lub niebezpieczne substancje; jeśli trafią one do środowiska, mogą wywołać poważne szkody dla samego środowiska oraz dla zdrowia ludzi.

Jak wskazuje symbol zamieszczony obok, zabrania się wyrzucania urządzenia razem z odpadami domowymi. Należy zatem przeprowadzić „selektywną zbiórkę odpadów”, zgodnie z metodami przewidzianymi przez przepisy obowiązujące w danym kraju, lub oddać urządzenie do sprzedawcy podczas dokonywania zakupu nowego, ekwiwalentnego urządzenia.



**Uwaga!** Lokalne przepisy mogą przewidywać poważne sankcje w przypadku bezprawnej utylizacji niniejszego produktu.

## DANE TECHNICZNE URZĄDZENIA

**OSTRZEŻENIA:** • We wszystkich przedstawionych specyfikacjach technicznych uwzględniono temperaturę otoczenia 20°C (± 5°C). • Firma Nice S.p.a. zastrzega sobie prawo do wprowadzenia zmian do urządzenia w każdej chwili, kiedy uzna je za konieczne, zachowując te same funkcje i przeznaczenie.

### Uwaga:

- GR170 i GR170/V1 wersje nieodwracalne
- GR170R wersja odwracalna

MODEL	GR170 GR170R	GR170/V1	GR340	GR340/V1
Zasilanie / częstotliwość	230V / 50Hz	120V / 60Hz	230V / 50Hz	120V / 60Hz
Pobór prądu	1,9 A	4 A	3,3 A	7,6 A
Pobór mocy	430 W	455 W	800 W	900 W
Maks. moment obrotowy:	170 Nm	170 Nm	340 Nm	340 Nm
Maksymalna siła podnoszenia przy Ø 200mm	170 kg	170 kg	340 kg	340 kg
Standardowa średnica wałka bramy	76 mm*	76 mm*	76 mm*	76 mm*
Średnica nawijanych kołnierzy	200 mm**	200 mm**	200 mm**	200 mm**
Prędkość obrotu wieńca (bez obciążenia)	8 RPM	10 RPM	8 RPM	10 RPM
Temperatura otoczenia pracy	-20°C ÷ 50°C	-20°C ÷ 50°C	-20°C ÷ 50°C	-20°C ÷ 50°C
Stopień ochrony	IP 20	IP 20	IP 20	IP 20
Zabezpieczenie termiczne	100°C	100°C	100°C	100°C
Czas pracy ciągłej	4 minuty	40 s on 40 s off	4 minuty	40 s on 40 s off
Maks. liczba manewrów dziennie	10 (nie kolejnych)	10 (nie kolejnych)	10 (nie kolejnych)	10 (nie kolejnych)
Ciężar	7 kg	7 kg	10,5 kg	10,5 kg
* 60 mm z adapterem na wyposażeniu - 48 mm z adapterem opcjonalnym				
** 220 z dostarczonym adapterem - 240 z adapterem opcjonalnym				

# Instrukcja obsługi

(należy oddać użytkownikowi końcowemu)

- **Przed pierwszym użyciem automatyki** należy poprosić instalatora o wyjaśnienie, jakie zagrożenia mogą pojawić się w czasie użytkowania bramy i skąd pochodzą, przeznaczyć kilka minut na przeczytanie **instrukcji i ostrzeżeń dla użytkownika** przekazanych przez instalatora. Należy zachować instrukcję w celu wykorzystania jej w przyszłości oraz, w przypadku sprzedaży, należy przekazać ją nowemu użytkownikowi automatyki.
  - **Państwa automatyka jest systemem, który dokładnie wykonuje wydawane polecenia.** Nieświadome lub niewłaściwe użycie może stać się zatem źródłem zagrożenia: nie wolno sterować bramą, jeśli w jej pobliżu znajdują się jakieś osoby, zwierzęta lub przedmioty.
  - **Dzieci:** automatyka gwarantuje wysoki stopień bezpieczeństwa. Zatrzymuje ruch, gdy jej system zabezpieczający wykryje obecność osób lub rzeczy i gwarantuje uaktywnienie tego systemu w sposób bezpieczny i przewidywalny. Dla ostrożności zaleca się zakazanie dzieciom zabawy w pobliżu automatyki i niepozostawianie pilotów w ich zasięgu, aby uniknąć nieumyślnego uruchomienia: **to nie zabawka!**
  - **Należy wykonywać częste przeglądy instalacji,** a w szczególności jej przewodów, sprężyn i wsporników, celem wykrycia ewentualnego niewyważenia lub oznak zużycia czy uszkodzenia. Należy okresowo sprawdzać, czy silnik napędowy odwraca kierunek ruchu, kiedy brama zetknie się z przedmiotem umieszczonym na wysokości 50 mm od ziemi. Nie stosować automatyki, jeżeli konieczne jest wykonanie jej naprawy lub regulacji. Usterka lub nieprawidłowe wyważenie bramy może doprowadzić do okaleczenia ciała.
  - **Anomalie:** w przypadku wykrycia nieprawidłowego zachowania automatyki, należy odłączyć zasilanie elektryczne. Nie wykonywać samodzielnie żadnej naprawy, ale zwrócić się o pomoc do zaufanego instalatora:  
**(tylko do wersji nieodwracalnych)** Urządzenie może pracować ręcznie: odblokować motoreduktor w sposób opisany w punkcie „Odblokowanie i zablokowanie ręczne”.
  - **Konserwacja:** Automatyka, jak każda maszyna, wymaga okresowych czynności konserwacyjnych, co gwarantuje jej bezpieczne i długoletnie funkcjonowanie. Należy uzgodnić z Państwa instalatorem program okresowych przeglądów konserwacyjnych. Firma Nice zaleca, aby przy normalnym użytkowaniu domowym przeglądy automatyki wykonywane były co 6 miesięcy, jakkolwiek zależy to również od intensywności użytkowania. Wszelkie prace kontrolne, konserwacyjne lub naprawcze powinny być wykonywane wyłącznie przez wykwalifikowany personel.
  - Nawet jeśli uważacie, że potraficie, nie modyfikujcie urządzenia i parametrów programowania ani nie regulujcie automatyki: za wykonywanie tych czynności odpowiedzialny jest Państwa instalator.
  - Odbiór, konserwacje okresowe i ewentualne naprawy powinny być udokumentowane przez wykonującą je osobę, a dokumentacja przechowywana przez właściciela urządzenia.
- Jedynie możliwe czynności,** które powinni Państwo regularnie wykonywać, to usuwanie ewentualnych liści lub kamieni, które mogłyby przeszkodzić w ruchu bramy.
- (tylko do wersji nieodwracalnych)** W celu uniemożliwienia uruchomienia bramy, przed przystąpieniem do dalszych działań, należy **odblokować automatykę** (jak opisano w punkcie „Odblokowanie i zablokowanie ręczne”) i **odłączyć wszystkie źródła zasilania** (również akumulatory awaryjne, jeżeli są one obecne).- **Utylizacja:** Po zakończeniu okresu użytkowania automatyki należy dopilnować, aby likwidacja została przeprowadzona przez wykwalifikowany personel i aby materiały zostały poddane recyklingowi lub utylizacji zgodnie z obowiązującymi przepisami.

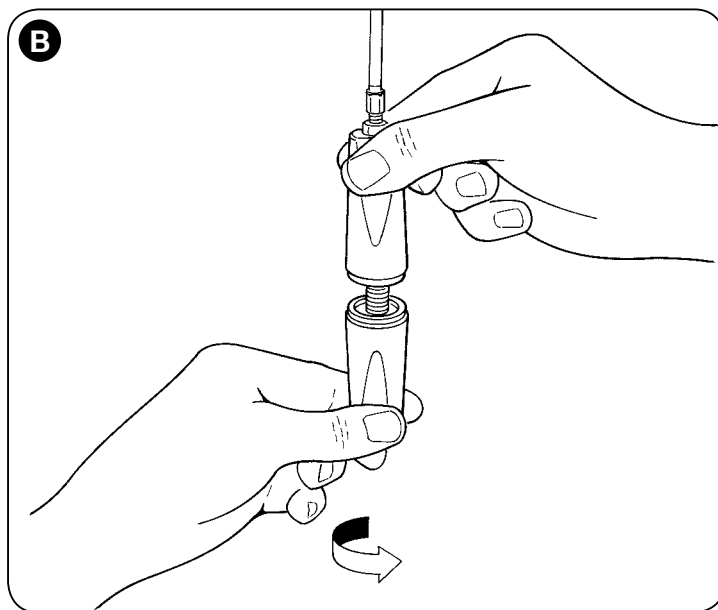
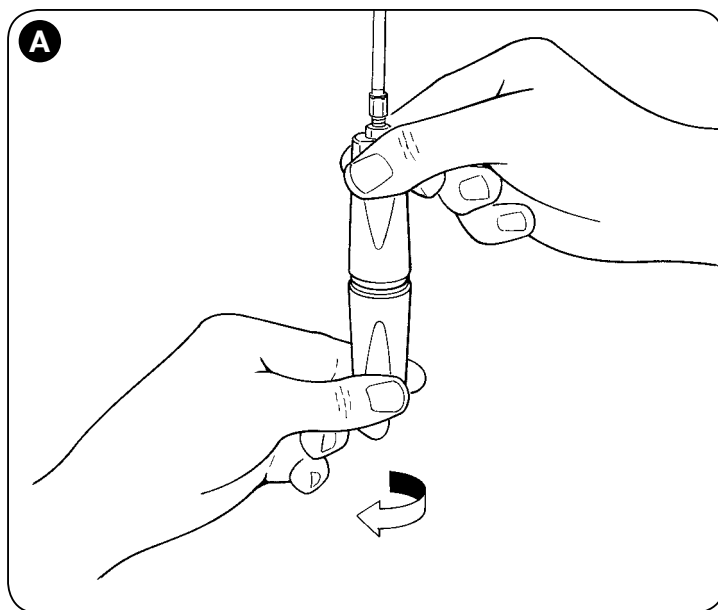
## (tylko do wersji nieodwracalnych) Odblokowanie i zablokowanie ręczne

### • Wypięglanie siłownika:

01. Odkręcić w kierunku ruchu wskazówek zegara dolną część pokrętła, aż zacznie stawiać opór (**rys. A**);
02. Otworzyć lub zamknąć ręcznie bramę.

### • Zaspzęglanie siłownika:

01. Odkręcić w kierunku przeciwnym do ruchu wskazówek zegara dolną część pokrętła, aż zacznie stawiać opór (**rys. B**).



# Inhoudsopgave

**Hoofdstuk 1 - ALGEMENE AANBEVELINGEN EN VOORZORGSMAATREGELEN**

1.1 - Waarschuwingen met betrekking tot veiligheid . . . . . 1

1.2 - Waarschuwingen met betrekking tot de installatie . . . . . 1

**Hoofdstuk 2 - BESCHRIJVING VAN HET PRODUCT EN GBRUIKSBESTEMMING** . . . . . 2

**Hoofdstuk 3 - INSTALLATIE**

3.1 - Controles ter voorbereiding van de installatie . . . . . 2

3.2 - Werkzaamheden ter voorbereiding van de installatie. . . . . 2

3.3 - Installatie van de reductiemotor . . . . . 2

3.4 - Afstellen van de eindaanslagen. . . . . 2

3.5 - Procedure voor handmatige ontgrendeling en vergrendeling (alleen voor onomkeerbare versies) . . . . . 2

**Hoofdstuk 4 - EINDTEST EN INBEDRIJFSTELLING**

4.1 - Eindtest . . . . . 3

4.2 -Inbedrijfstelling . . . . . 3

**ONDERHOUD VAN HET PRODUCT** . . . . . 3

**AFDANKING VAN HET PRODUCT** . . . . . 3

**TEHNSICHE SPECIFICATIES VAN HET PRODUCT** . . . . . 3

**Verklaring van overeenstemming** . . . . . 4

**Gebruikshandleiding** (bijlage die uitgeknipt kan worden) . . . . . 5

**AFBEELDINGEN** . . . . . I - IV

1 – Nederlands

- 1.1 - Waarschuwingen met betrekking tot veiligheid**
- **LET OP! - Belangrijke veiligheidsinstructies. Naleving van deze instructies is van belang voor de veiligheid van personen. Een onjuiste installatie kan tot ernstig letsel leiden.**  
Lees deze handleiding aandachtig door voordat u te werk gaat.; vraag in geval van twijfel om opheldering bij de servicedienst van Nice.
  - **LET OP! - Bewaar deze instructies voor eventuele onderhoudswerkzaamheden en afdanking van het product.**
  - **LET OP! - Alle werkzaamheden met betrekking tot installatie, aansluiting, programmering en onderhoud van het product mogen alleen worden uitgevoerd door een gekwalificeerd en bevoegd technicus, met inachtneming van geldende wetten, normen, plaatselijke verordeningen en de instructies in deze handleiding.**

- 1.2 - Waarschuwingen met betrekking tot de installatie**
- Voordat u met de installatie begint, dient te controleren of het product geschikt is voor de automatisering van uw rolluik (lees paragraaf 3.1). Als het product niet geschikt is, dient u NIET verder te gaan met de installatie.
  - Tijdens alle werkzaamheden voor installatie en onderhoud van het product moet de automatisering losgekoppeld zijn van de elektrische stroomvoorziening. Voordat er met de werkzaamheden wordt begonnen, moet er als voorzorgsmaatregel een bord met de tekst "LET OP! MACHINE IN ONDERHOUD" op het uitschakelapparaat worden aangebracht.
  - Voordat u met de installatie begint, moet u ervoor zorgen dat alle elektriciteitskabels die niet noodzakelijk zijn voor de inrichting, uit de buurt blijven; schakel ook alle mechanismen uit die niet noodzakelijk zijn voor de gemotoriseerde werking van het rolluik.
  - Tijdens de installatie moet u het product voorzichtig behandelen: botsen, stoten, vallen en contact met alle soorten vloeistoffen vermijden; geen gaten maken en geen schroeven aan de buitenkant van de motor aanbrengen; het product niet in de buurt van warmtebronnen plaatsen en niet blootstellen aan open vuur. Dergelijke acties kunnen namelijk schade aan het product veroorzaken en tot storingen of gevaarlijke situaties leiden. Als zich iets dergelijks voordoet, dient u de installatie onmiddellijk te onderbreken en contact op te nemen met de servicedienst van Nice.
  - Het product niet demonteren op wijzen die verdergaan dan in deze handleiding voorzien is.
  - Geen aanpassingen op onderdelen van het product uitvoeren, afgezien van de aanpassingen die in deze handleiding worden beschreven. Niet-toegestane handelingen kunnen enkel tot storingen leiden. De fabrikant wijst elke aansprakelijkheid voor schade ten gevolge van aanpassingen aan het product van de hand.
  - Tijdens de realisering van de inrichting moeten personen op afstand van het rolluik blijven wanneer dit in beweging is.
  - De afvalverwerking van het verpakkingsmateriaal van het product moet volgens de plaatselijk geldende regels plaatsvinden.

- 1.3 - Waarschuwingen met betrekking tot het gebruik**
- Het product is niet bestemd voor gebruik door personen (inclusief kinderen) met lichamelijke, zintuiglijke of geestelijke beperkingen of met gebrek aan ervaring of kennis, tenzij zij dankzij de tussenkomst van iemand die de verantwoordelijkheid over hun veiligheid draagt, kunnen profiteren van toezicht of instructies met betrekking tot het gebruik van het product.
  - Er moet toezicht op kinderen worden gehouden, om te voorkomen dat zij met de automatisering spelen.
  - Laat kinderen niet met de vaste bedieningsinrichtingen spelen. Houd de draagbare bedieningsinrichtingen (afstandsbedieningen) buiten bereik van kinderen.
  - Controleer de automatisering tijdens de uitvoering van een manoeuvre en houd personen op afstand tot de beweging voltooid is.
  - Geef de automatisering geen instructies wanneer er in de buurt ervan werkzaamheden plaatsvinden, zoals ramen wassen; koppel de automatisering los van de elektrische stroomvoorziening voordat dergelijke werkzaamheden worden uitgevoerd.
  - Controleer de automatisering regelmatig op eventuele tekenen van slijtage, beschadiging of onbalans. De automatisering niet gebruiken als deze afgesteld of gerepareerd moet worden; het oplossen van dergelijke problemen uitsluitend overlaten aan gespecialiseerd technisch personeel.

GIRO is een reductiemotor voor oprolbare rolluiken met veerbalancerend. Geschikt voor de automatisering van rolluiken met een maximale hoogte van 6 m en een gewicht tot 170 kg.

**Elk ander gebruik is verboden! De fabrikant aanvaardt geen aansprakelijkheid voor schade die het gevolg is van oneigenlijk gebruik van het product, behalve voor zover in deze handleiding voorzien is.**

Giro kan worden geïnstalleerd op rolluiken met een veerdragerboom met een

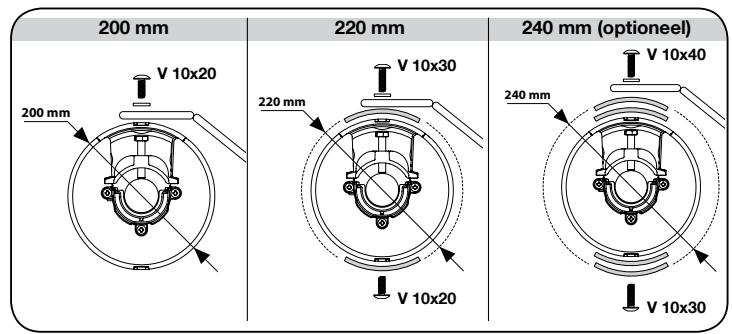
diameter van 200 mm en 220 mm (240 mm optioneel). De twee aanwezige ringen zijn gegoten uit aluminium.

Giro is beschikbaar in de volgende versies:

- GR170 en GR170/V1 onomkeerbare versies
- GR170R omkeerbare versie

Giro is voorzien van een eindaanslag met een regelschroef en een mechanisch positiegeheugen.

Beschikbare accessoires: er kan een tweede reductiemotor (model GRA01, GRA01/V1 en GRA01R) worden geïnstalleerd, waarmee het maximale koppel op 340 Nm komt; raadpleeg de respectieve instructiehandleiding. KIO, sleutelschakelaar met kabelontgrendeling. Adapters voor veerdrager van 240 mm, veerdragerboom met diameter van 48 mm.



## 3 INSTALLATIE

### 3.1 - Controles ter voorbereiding van de installatie

**Let op! - De installatie van de motor dient door gekwalificeerd personeel uitgevoerd te worden waarbij de wetten, voorschriften en regels en wat in deze aanwijzingen staat, in acht worden genomen.**

Voer de volgende controles uit voordat u met de installatie begint:

- Controleer direct na het uitpakken of de onderdelen van het product compleet en intact zijn.
- Controleer de geschiktheid van de gekozen motor door de nominale technische specificaties van de motor te vergelijken met de technische specificaties van uw rolluik; installeer de motor **NIET als de motorspecificaties (nominale koppel, draaisnelheid en werkingstijd) niet geschikt zijn voor de aandrijving van uw rolluik. Houd er in het bijzonder rekening mee dat het motorkoppel NIET GROTER MAG ZIJN dan nodig is voor de aandrijving van het rolluik.** Voor verdere gebruikslimieten verwijzen wij u naar het hoofdstuk "Technische specificaties".
- In geval van installatie buiten moet u zorgen dat de motor afdoende beschermd is tegen atmosferische invloeden.
- Controleer of het rolluik goed gebalanceerd is: het mag niet bewegen als het in een bepaalde stand wordt gezet.
- Verzeker u ervan dat er zowel bij sluiting als opening geen punten met een grotere wrijving op het rolluik zijn
- Verzeker u ervan dat het rolluik regelmatig en geruisloos omhoog en omlaag beweegt.
- Verzeker u ervan dat de plaats van bevestiging compatibel is met de afmetingen van de motor **afb. 1**.
- In het voedingsnet van de installatie dient een afkoppelinrichting te worden geïnstalleerd met een openingsafstand tussen de contacten die een volledige afkoppeling toelaat in de condities die worden voorgeschreven door de overspanningscategorie III.

### 3.2 - Werkzaamheden ter voorbereiding van de installatie

In **afb. 2** wordt een voorbeeld van een automatiseringsinstallatie met Nice-componenten weergegeven:

- a - Giro-reductiemotor
- b - Behuizing
- c - Ontgrendelingsknop (alleen voor onomkeerbare versies)
- d - Omvormer of elektronische besturingseenheid
- e - Elektrische toevoering
- f - Veerdrager

Deze componenten zijn op basis van een typisch en veelgebruikt schema geplaatst. Bepaal op basis van **afb. 2** bij benadering de positie waarop elke component van de installatie geplaatst moet worden. **Belangrijk** - Voordat u de installatie uitvoert, dient u de voor uw installatie benodigde elektrische bedrading voor te bereiden (zie **afb. 2**).

### 3.3 - Installatie van de reductiemotor

#### WAARSCHUWINGEN

- Een onjuiste installatie kan ernstig letsel veroorzaken bij de persoon die de werkzaamheden uitvoert en bij personen die gebruikmaken van de installatie.
  - Voordat u begint met de montage van de automatisering, dient u de inleidende controles uit te voeren die worden beschreven in paragraaf 3.1 en 3.2.
01. Sluit het rolluik volledig om de veerdragerboom te kunnen bereiken; maak een gat met een diameter van 9 mm in deze boom (**afb. 3**).
  02. Verwijder de kleine halve ring door de twee M8-schroeven los te draaien (**afb. 4**) en verwijder de kraag eronder (**afb. 5**).
  03. Meet de diameter van de veerdragers:
    - als de diameter 200 mm is, gaat u verder met de installatie.
    - als de diameter 220 mm of 240 mm (optioneel) is, gebruikt u de geschikte adapter, **afb. 6**.

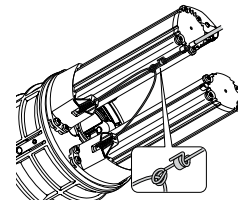
04. Meet de diameter van de veerdragerboom:

- als de diameter 76 mm is, gaat u verder met de installatie.
- als de diameter 60 mm is, gebruikt u de bijbehorende meegeleverde adapters (**afb. 6 en 7**) en gaat u verder met de installatie.
- als de diameter 48 mm (optioneel) is, gebruikt u de bijbehorende, niet-meegeleverde adapters (optioneel) (**afb. 6 en 7**), en gaat u verder met de installatie.

05. Plaats de reductiemotor in de veerdragerboom en zet deze vast met behulp van de kraag (**afb. 8**).
06. Draai het centrale tandwiel (M10) aan zodat het passare atra, door het eerder in de veerdragerboom gemaakte gat (punt 01) (zie **afb. 9**).
07. Zet de reductiemotor vast aan de veerdragerboom door de twee schroeven (M10) vast te draaien; vergrendel de drie schroeven met de bijbehorende moeren (**afb. 11**).
08. Maak een gat in de veerhouder-as om er de kabels door te geleiden (**afb. 10**).

per versioni irreversibili	per versioni reversibili
09. Geleid de voedingskabel en de kabel voor handmatige ontgrendeling door het gat.	09. Geleid de voedingskabel door het gat en ga meteen door naar punt 13

10. Plaats vervolgens de stalen kabel voor handmatige ontgrendeling in de daartoe bedoelde positie door het eindpunt in de veer te geleiden (**afb. 11**); verwijder en herplaats de veer zo nodig. Bij de versie met twee motoren dient u het uiteinde van de deblokkingskabel aan de veer aan te sluiten zoals weergegeven in de afbeelding.



11. Monteer de ontgrendelingsknop door alle regelaars vast te schroeven (**A**) **afb. 12**; plaats vervolgens de kabel en zet deze vast met de klem, terwijl de kabel gespannen houdt (**B**) **afb. 12**.
12. De manoeuvre voor handmatige ontgrendeling uitvoeren: draai de onderste knop rechtsom los (**afb. 13**);
13. Controleer handmatig of de reductiemotor wel ontgrendeld is. Gebruik zo nodig de regelaars om de overtollige ruimte op te heffen.
14. Smeer het tandwerk van de in punt 02 gedemonteerde kleine halve ring lichtjes, plaats de twee schroeven (M8) en draai deze helemaal aan (**afb. 14**). Monteer de eventuele externe adapter op de halve ring, zoals beschreven in punt 04.
15. Breng de elektrische aansluitingen tot stand, zoals weergegeven in **afb. 15**.
16. Maak bovenaan in het rolluik een gat met een diameter van 11 mm en zet dit onderdeel vast aan het externe gat van de reductiemotor (**afb. 16**).
17. Zet het doek van het rolluik aan de onderkant vast aan de reductiemotor met behulp van schroef (M10) en sluitring (**afb. 16**).

### 3.4 - Afstellen van de eindaanslagen

01. Voer de manoeuvre voor handmatige ontgrendeling uit door de onderste knop rechtsom los te draaien (**afb. 13**) en voer vervolgens handmatig een openings- en een sluitingsmanoeuvre voor het rolluik uit; verzekert u ervan dat het rolluik regelmatig en geruisloos beweegt.
02. (alleen voor onomkeerbare versies) Vergrendeld de reductiemotor door de onderste knop linksom vast te draaien (**afb. 18**).
03. Schakel de elektriciteit voor de reductiemotor in en voer een openingsmanoeuvre uit; verzekert u ervan dat het rolluik in de gewenste stand tot stilstand komt. Gebruik de afstelwielletjes voor extra precisie (**afb. 18**). De pijl geeft de draairichting aan (het symbool + geeft een verhoging van de snelheid aan).
04. Ga door tot u de gewenste positie hebt bereikt.

### 3.5 - (alleen voor onomkeerbare versies) Procedure voor handmatige vergrendeling en ontgrendeling

**Belangrijk!** - De manoeuvres voor handmatige vergrendeling en ontgrendeling van de reductiemotor mogen alleen worden uitgevoerd als de reductiemotor volledig stil staat. De handmatige manoeuvre dient alleen te worden uitgevoerd als er geen elektrische voeding is, bij defecten van de inrichting of als de tekst in de instructiehandleiding dit specifiek vermeldt.

#### De reductiemotor ontgrendelen:

01. Draai het onderste deel van de knop rechtsom los tot u enige weerstand ondervindt (**afb. 13**);
02. Open of sluit het rolluik handmatig.

#### De reductiemotor vergrendelen:

01. Draai het onderste deel van de knop linksom vast tot u enige weerstand ondervindt (**afb. 17**).

**Belangrijk!** - Indien u na de deblokkering van de motor manueel het rolluik laat bewegen en de reeds ingestelde drempelwaarden voor afstelling van de eindaanslagen worden overschreden, dan zullen deze automatisch worden geüpdatet met de nieuwe posities die werden bereikt.

## 4 EINDTEST EN INBEDRIJFSTELLING

### 4.1 - Eindtest

Dit zijn de belangrijkste fasen bij de aanleg van de automatisering teneinde een zo groot mogelijke veiligheid van de installatie te garanderen. De eindtest kan ook gebruikt worden om de inrichtingen, waaruit de automatisering is opgebouwd, periodiek te controleren. De fasen van de eindtest en de inbedrijfstelling van de automatisering moeten worden uitgevoerd door gekwalificeerd en ervaren personeel dat dient te bepalen welke tests in functie van de bestaande risico's noodzakelijk zijn en te controleren of de wettelijke voorschriften, normen en regels: met name alle vereisten van norm EN 12445, die de testmethodes voor de controle van automatiseringen voor hekken en poorten bepaalt, in acht genomen zijn.

De aanvullende inrichtingen moeten worden onderworpen aan een specifieke eindtest, zowel voor wat betreft de functionering ervan als voor wat betreft de juiste interactie met de afzonderlijke inrichtingen.

01. Controleer of de aanwijzingen uit hoofdstuk 1, "WAARSCHUWINGEN", strikt in acht zijn genomen.
02. Verzeker u ervan dat de verbindingen in goede staat zijn en dus geen scheuren vertonen.
03. Verzeker u ervan dat de reductiemotor goed aan de veerdragerboom is vastgezet.
04. Verzeker u ervan dat de schroeven volledig zijn aangedraaid.
05. Verzeker u ervan dat de elektrische contacten in goede staat zijn.
06. Verzeker u ervan dat de ring geen overmatige asspeling vertoont.
07. Controleer de afstelling van de eindaanslagen door een volledige manoeuvre uit te voeren (omhoog-omlaag).
08. Verzeker u ervan dat de reductiemotor wanneer deze op een punt vergrendeld is, helemaal niet beweegt.
09. (alleen voor onomkeerbare versies) Verzeker u ervan dat de reductiemotor bij ontgrendeling makkelijk loskomt van het rolluik.

### 4.2 - Inbedrijfstelling

Inbedrijfstelling kan alleen plaatsvinden nadat alle fasen van de eindtest met succes zijn afgesloten.

01. Maak een technisch dossier van de automatisering en bewaar dat tenminste 10 jaar, dat tenminste bestaat uit: de overzichtstekening van de automatisering, het elektrisch bedradingschema, een analyse van de risico's en de toegepaste oplossing daarvoor, de conformiteitsverklaringen van alle fabrikanten voor alle gebruikte inrichtingen (gebruik voor Giro de bijgevoegde CE-Conformiteitsverklaring); kopie van de gebruiksaanwijzingen en het onderhoudsplan van de automatisering.
02. Breng een plaatje op de poort aan met daarop ten minste de volgende gegevens: type automatisering, naam en adres van de fabrikant (verantwoordelijk voor de "inbedrijfstelling"), serienummer, bouwjaar en "CE"-keurmerk.
03. Breng in de nabijheid van de poort een niet te verwijderen etiket of plaatje aan waarop de handelingen zijn aangegeven voor het ontgrendelen en handmatig bewegen van de poort.
04. Stel de conformiteitsverklaring voor de automatisering op en geef ze aan

de eigenaar van de automatisering.

05. Maak de handleiding "Aanwijzingen en aanbevelingen voor het gebruik van de automatisering" en geef die aan de eigenaar van de automatisering.
06. Stel een onderhoudsplan (met daarin de voorschriften voor het onderhoud van alle inrichtingen van de automatisering) op en geef dit aan de eigenaar van de automatisering.
07. Informeer vóór de inbedrijfstelling van de automatisering de eigenaar uitvoerig en schriftelijk (bijvoorbeeld in de handleiding met aanwijzingen en aanbevelingen voor het gebruik van de automatisering) over de nog aanwezige gevaren en risico's.

## ONDERHOUD VAN HET PRODUCT

Om het veiligheidsniveau op peil te houden en een maximale gebruiksduur voor de hele automatisering te garanderen, moet er elke 6 maanden een geplande onderhoudsbeurt plaatsvinden.

**LET OP!** – Het onderhoud moet uitgevoerd worden met volledige inachtneming van de veiligheidsvoorschriften van deze handleiding en volgens de van kracht zijnde wettelijke voorschriften en regelgeving.

01. Koppel alle bronnen van elektrische stroomvoorziening los, met inbegrip van eventuele bufferbatterijen.
02. Controleer alle materialen waaruit de automatisering bestaat op kwaliteitsvermindering en let daarbij met name op aantasting of roestvorming van de structurele delen; vervang die delen welke onvoldoende garantie bieden.
03. Controleer de staat van slijtage van de bewegende delen.
04. Sluit de elektriciteitsbronnen weer aan en voer alle tests en controles uit die worden beschreven in paragraaf 4.1, "Eindtest".

## AFDANKING VAN HET PRODUCT

**Dit product is een integraal onderdeel van de automatisering en moet daarom tegelijkertijd worden afgedankt.**

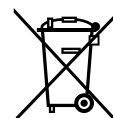
Zoals ook voor de installatiehandelingen geldt, moeten ook de handelingen voor afdanking aan het einde van de bruikbaarheidsperiode van dit product door gekwalificeerd personeel worden uitgevoerd.

Dit product is vervaardigd van verschillende typen materialen: sommige materialen kunnen gerecycled worden, terwijl anderen afgedankt moeten worden. Informeer u over de systemen voor recycling of afdanking die voorzien zijn in de voorschriften die in uw omgeving voor deze productcategorie gelden.

**Let op!** – bepaalde onderdelen van het product kunnen verontreinigende of gevaarlijke stoffen bevatten die bij aanraking met het milieu schadelijke gevolgen voor het milieu of de volksgezondheid kunnen hebben.

Zoals door het hiernaast weergegeven symbool wordt aangegeven, is het verboden om dit product bij het huishoudelijk afval af te voeren. Pas dus "gescheiden afvalinzameling" voor afdanking toe, op basis van de methoden die zijn opgenomen in de voorschriften voor uw omgeving, of draag het product over aan de leverancier op het moment van aanschaf van een nieuw, equivalent product.

**Let op!** – plaatselijk geldende voorschriften kunnen voorzien in zware sancties voor gevallen van illegale afdanking van dit product.



## TEHNISCHE SPECIFICATIES VAN HET PRODUCT

**WAARSCHUWINGEN:** • Alle weergegeven technische specificaties zijn gebaseerd op een omgevingstemperatuur van 20°C (± 5°C). • Nice S.p.a. behoudt zich het recht voor om op elk willekeurig moment wijzigingen in het product door te voeren die het bedrijf noodzakelijk acht, waarbij echter dezelfde functionaliteit en hetzelfde beoogde gebruik gehandhaafd blijven.

**Opmerking:**

- **GR170 en GR170/V1 onomkeerbare versies**
- **GR170R omkeerbare versie**

MODEL	GR170 GR170R	GR170/V1	GR340	GR340/V1
Voeding/frequentie	230V / 50Hz	120V / 60Hz	230V / 50Hz	120V / 60Hz
Opgenomen vermogen	1,9 A	4 A	3,3 A	7,6 A
Opgenomen vermogen	430 W	455 W	800 W	900 W
Maximaal koppel	170 Nm	170 Nm	340 Nm	340 Nm
Maximale hefkracht bij Ø 200mm	170 kg	170 kg	340 kg	340 kg
Standaarddiameter rolluikboom	76 mm*	76 mm*	76 mm*	76 mm*
Diameter wikkelbare flenzen	200 mm**	200 mm**	200 mm**	200 mm**
Draaisnelheid kroon (ledig)	8 RPM	10 RPM	8 RPM	10 RPM
Gebruikstemperatuur omgeving	-20°C ÷ 50°C	-20°C ÷ 50°C	-20°C ÷ 50°C	-20°C ÷ 50°C
Beschermingsgraad	IP 20	IP 20	IP 20	IP 20
Thermische bescherming	100°C	100°C	100°C	100°C
Doorlopende gebruiksduur	4 minuten	40 s on 40 s off	4 minuten	40 s on 40 s off
Maximaal aantal manoeuvres per dag	10 (niet opeenvolgend)	10 (niet opeenvolgend)	10 (niet opeenvolgend)	10 (niet opeenvolgend)
Gewicht	7 kg	7 kg	10,5 kg	10,5 kg
* 60 mm met meegeleverde adapter - 48 mm met optionele adapter				
** 220 met meegeleverde adapter - 240 met optionele adapter				



# Gebruikshandleiding

## (te overhandigen aan de eindgebruiker)

- **Voordat u de automatisering voor de eerste maal gaat gebruiken**, is het raadzaam u door de installateur te laten uitlegen waar de restrisico's ontstaan, en **enkele minuten van uw tijd te besteden aan het lezen van deze handleiding met aanwijzingen en aanbevelingen voor de gebruiker** die de installateur u overhandigd heeft. Bewaar deze handleiding voor eventuele toekomstige twijfels en geef haar aan een eventuele nieuwe eigenaar van de automatisering.

- **Uw automatisering is een machine die getrouwelijk uw instructies opvolgt**; onverantwoordelijk en oneigenlijk gebruik kan maken dat het een gevaarlijke machine wordt: laat de automatisering niet werken als er zich mensen, dieren of zaken binnen haar bereik bevinden.

- **Kinderen**: een automatiseringsinstallatie biedt een hoge graad van veiligheid, doordat de manoeuvre bij aanwezigheid van mensen of zaken dankzij de beveiligingssystemen worden onderbroken en altijd een voorspelbare en veilige activering gegarandeerd. Het is in ieder geval verstandig kinderen te verbieden in de buurt van de installatie te spelen en de afstandsbedieningen buiten hun bereik te houden om te voorkomen dat de installatie per ongeluk in werking treedt: **het is geen speelgoed!**

- **Controleer de inrichting regelmatig** en let daarbij met name op de kabels, de veren en de steunen, om eventuele balansverstoringen en tekenen van slijtage of beschadiging op te sporen. Controleer maandelijks of de bewegingsmotor omdraait wanneer de poort een op de grond geplaatst object met een hoogte van 50 mm aanraakt. Gebruik de automatisering niet als er een reparatie of afstelling nodig is, aangezien een defect in de installatie of een niet goed uitgebalanceerde poort letsel kan veroorzaken.

- **Storingen**: zodra u constateert dat de automatiseringsinstallatie niet werkt zoals ze dat zou moeten doen, dient u de stroomtoevoer naar de installatie te onderbreken. Probeer ze niet zelf te repareren, maar roep de hulp van uw vertrouwde installateur in.

**(alleen voor onomkeerbare versies)** De installatie kan handmatig worden bediend: ontgrendel de reductiemotor zoals beschreven in het punt "Handmatige vergrendeling en ontgrendeling".

- **Onderhoud**: Zoals elke machine heeft uw installatie periodiek onderhoud nodig om haar zo lang mogelijk en geheel veilig te laten werken. Stel met uw installateur een onderhoudsplan met periodieke frequentie op; Nice raadt bij normaal gebruik bij een woning een onderhoudsbezoek om het half jaar aan, maar dit tijdsbestek kan variëren in functie van een meer of minder intensief gebruik. Alle controle-, onderhouds- of reparatiewerkzaamheden mogen uitsluitend door gekwalificeerd personeel worden uitgevoerd.

- Ook als u denkt het zelf te kunnen doen, dient u toch geen wijzigingen in de installatie en de parameters voor programmering en instelling van de automatisering aan te brengen: dit is de verantwoordelijkheid van uw installateur.

- De opleveringstest, de periodieke onderhoudswerkzaamheden en de eventuele reparatiewerkzaamheden dienen gedocumenteerd te worden door wie die uitvoert en de documenten dienen door de eigenaar van de installatie bewaard te worden.

**De enige werkzaamheden** die regelmatig kunnen en moeten worden uitgevoerd, zijn het verwijderen van bladeren of stenen die de werking van de automatisering kunnen belemmeren.

**(alleen voor onomkeerbare versies)** Om te voorkomen dat iemand het rolluik in beweging kan zetten, mag u niet vergeten om, alvorens door te gaan, **de automatisering te ontgrendelen** (zoals beschreven in het punt "Handmatige vergrendeling en ontgrendeling") en **alle voedingsbronnen af te koppelen** (ook de eventuele bufferbatterijen).

- **Afdanking**: Als de automatisering niet meer gebruikt kan worden, dient u zich ervan te vergewissen dat de sloop daarvan door gekwalificeerd personeel wordt uitgevoerd en dat het materiaal volgens de plaatselijk geldende voorschriften wordt hergebruikt of naar de afvalverwerking wordt gezonden.

### (alleen voor onomkeerbare versies) Handmatige vergrendeling en ontgrendeling

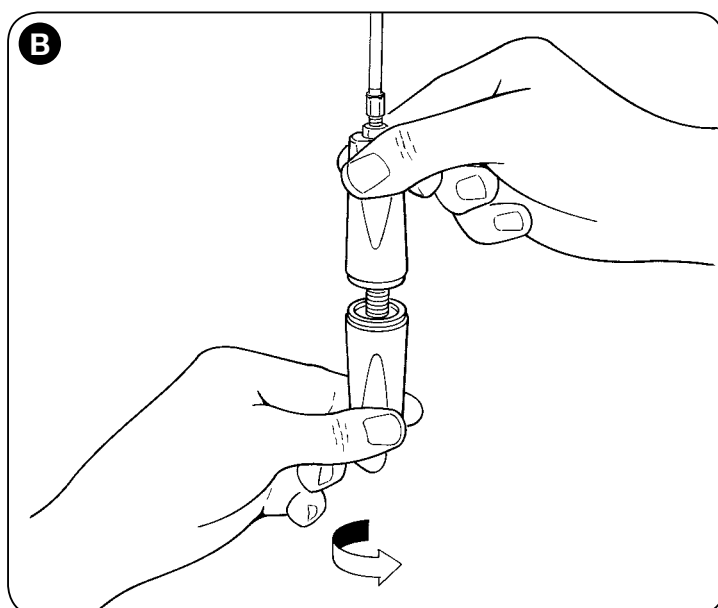
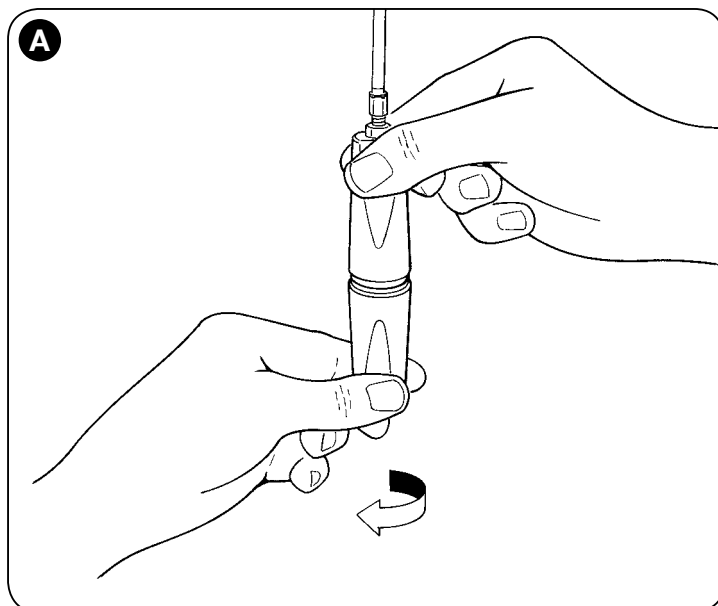
- **De reductiemotor ontgrendelen:**

**01.** Draai het onderste deel van de knop rechtsom los tot u enige weerstand ondervindt (**afb. A**);

**02.** Open of sluit het rolluik handmatig.

- **De reductiemotor vergrendelen:**

**01.** Draai het onderste deel van de knop linksom vast tot u enige weerstand ondervindt (**afb. B**).



# Özet

## Bölüm 1 - GENEL UYARILAR VE ÖNLEMLER

1.1 - Güvenlik Uyarıları	1
1.2 - Kurulum Uyarıları	1

## Bölüm 2 - ÜRÜNÜN TANIMI VE KULLANIM AMACI

.....	2
-------	---

## Bölüm 3 - KURULUM

3.1 - Kurulum öncesi kontroller	2
3.2 - Kurulum hazırlama çalışmaları	2
3.3 - Dişli motorun kurulumu	2
3.4 - Limitlerin Ayarlanması	2
3.5 - Manüel kapatma ve açma prosedürü (Sadece tersinmez versiyonlar için)	2

## Bölüm 4 - TEST ETME VE İŞLETMEYE ALMA

4.1 - Son testler	3
4.2 - Devreye alma	3

ÜRÜNÜN BAKIMI	3
---------------	---

ÜRÜNÜN İMHASI	3
---------------	---

ÜRÜNÜN TEKNİK ÖZELLİKLERİ	3
---------------------------	---

Uygunluk beyannamesi	4
----------------------	---

Kullanım kılavuzu (Ekli kısmı koparıp alınabilir)	5
---	---

RESİMLER	I - IV
----------	--------

### 1.1 - Güvenlik Uyarıları

- **DİKKAT!** - Önemli güvenlik talimatları. Kişilerin güvenliği için bu talimatlara yakından uyulması önemlidir, uygunsuz bir kurulum ciddi yaralanmalara neden olabilir. Çalışmaya başlamadan önce talimatları dikkatli bir şekilde okuyunuz; şüpheleriniz varsa Nice Teknis Servisinden açıklama talebinde bulununuz.
- **DİKKAT!** - Bu talimatları ürüne ilişkin gelecekteki bakım ve imha müdahaleleri için muhafaza ediniz.
- **DİKKAT!** - Ürüne ilişkin tüm kurulum, test, programlama ve bakım işlemleri sadece kalifiyeli ve yetkili bir teknisyen tarafından yasalara, normlara, yerel düzenlemelere ve bu kılavuzda belirtilen talimatlara uygun olarak yapılmalıdır.

### 1.2 - Kurulum Uyarıları

- Kurulumla başlamadan önce ürünün kapısının otomatikleştirilmesi için uygun olup olmadığına bakınız (paragraf 3.1'i okuyunuz). Eğer uygun değilse, kurulumu YAPMAYINIZ.
- Ürünün tüm kurulum ve bakım işlemleri elektrik şebekesinin otomatik sistemi kapalıyken yapılmalıdır. Önlem amaçlı olarak işlere başlamadan önce bağlantı kesme cihazı (şalter) üzerinde şu şekildeki bir uyarı panosu yerleştiriniz: "DİKKAT DEVAM EDEN BAKIM ÇALIŞMALARI".
- Kurulumla başlamadan önce cihaz için gerekli olan tüm elektrik kabloları uzaklaştırınız; kapının motorlu çalışması için gerekli olmayan tüm mekanizmaları etkisizleştiriniz.
- Kurulum esnasında ürünü dikkatli bir şekilde tutunuz: çarpmalardan, darbelerden, düşmelerden veya sıvı ile temaslardan kaçınınız; motorun dış kısmını delmeyiniz veya üzerine vidalar takmayınız; ürünü sıcaklık kaynaklarının yanına yerleştirmeyiniz ve açık alevle maruz bırakmayınız. Bu gibi işlemler ürüne hasar verebilir ve ürünün bozulmasına neden olarak tehlikeli durumlar yaratabilir. Bu gibi durumlarda derhal kurulumu durdurunuz ve Nice Teknik Servisine başvurunuz.
- Bu kılavuzda belirtilen işlemlerin haricinde ürünü sökmeyiniz.
- Bu kılavuzda belirtilen işlemlerin haricinde ürünün herhangi bir kısmında hiçbir değişiklik yapmayınız. İzin verilmeyen işlemler arızalara neden olabilir. Ürünün yetkisiz bir şekilde modifiye edilmesinden ötürü meydana gelen herhangi bir hasar konusunda üretici her türlü sorumluluktan feragat eder.
- Montaj sırasında kapı hareket halindeyken insanları kapıdan uzak tutunuz.
- Ürünün ambalajlama materyali yerel normlara uygun olarak imha edilmelidir.

### 1.3 - Kullanım uyarıları

- Ürünün nasıl kullanılacağı konusundaki uygun talimatlar bu kişilerin güvenliğinden, kontrolünden ve ürünün nasıl kullanılacağı konusundaki talimatlarda sorumlu olan bir kişi aracılığıyla verilmedikçe, bu ürün fiziksel, sensor veya akli becerilerinin eksik olduğu veya gerekli deneyim ve becerilere sahip olmayan kişiler tarafından (çocuklar dahil) kullanılmamalıdır.
- Çocuklara otomatik parçalarla oynamalarına izin verilmemelidir.
- Çocuklara sabit kontrol cihazlarıyla oynamalarına izin verilmeyiniz. Uzaktan (taşınabilir) kontrol cihazlarını çocukların erişemeyecekleri yerlerde muhafaza ediniz.
- Manevrallar sırasında, otomasyonu kontrol ediniz ve hareket tamamlanana kadar tüm kişileri güvenli bir mesafede tutunuz.
- Cam temizliği gibi işleri yapan kişilerin yakınlarda bulunmaları halinde otomasyon aksamını çalıştırmayınız; bu işleri yapmadan önce elektrik bağlantısını kesiniz.
- Herhangi bir aşınma, hasar veya dengesizlik açısından otomasyon sistemini sık sık kontrol ediniz. Ayar veya onarım gerektirmesi durumunda ürünü kullanmayınız; bu gibi sorunları çözmeleri için uzman teknik personele başvurunuz.

## 2 ÜRÜNÜN TANIMI VE KULLANIM AMACI

GIRO sarmal kapılar için bir dişli motor olup dengeli bir yay mekanizmasına sahiptir. Maksimum yüksekliği 6 m ve ağırlığı 170 kg'ye kadar olan sarmal kapıların otomasyonunu sağlar.

**Diğer amaçlar için kullanılması kesinlikle yasaktır. Üretici bu kılavuzda belirtilenlerin haricinde herhangi bir başka uygunsuz ürün kullanımı nedeniyle meydana gelen hasarlardan sorumlu değildir.**

Giro yay şaftı çapı 200 mm ve 220 mm (240 mm opsiyonlu) olan sarmal kapılarda takılabilir. İki halka somunu kalıp dökme alüminyumdan yapılmıştır.

Aşağıdaki versiyonlar için devreler mevcuttur:

- GR170 ve GR170/V tersinmez versiyonlar

- GR170R tersinebilir versiyon

Giro bir mikrometrik vida limiti ayar düğmesine ve bir mekanik konum belleğine sahiptir.

Mevcut aksesuarlar: Maksimum tork değerini 340 Nm'ye çıkartmak amacıyla 2. bir dişli motorunun kurulması mümkündür (GRA01, GRA01/V1 ve GRA01R modeli); lütfen ilgili kullanım kılavuzuna bakınız. KIO, zincir salınlı anahtarla çalıştırılan seçme düğmesidir. 240 mm yay kutusu (destek kutusu) adaptörleri ve 48 mm çaplı yay şaftı.

## 3 KURULUM

### 3.1 - Kurulum öncesi kontroller

**Dikkat! - Motorun kurulumu mevcut yasalara, normlara ve düzenlemelere uygun olarak kalifiyeli personel tarafından yapılmalıdır.**

Kurulumla başlamadan önce aşağıdaki kontrolleri gerçekleştiriniz:

- Ambalajdan çıkartır çıkartmaz ürün parçalarının bütünlüğünü kontrol ediniz.
- Seçilen motorun uygunluğunu kendi nominal teknik özelliklerini sizin sarmal kapının teknik özellikleriyle karşılaştırarak kontrol ediniz; buna göre, **Eğer özellikleri (nominal tork, rotasyon hızı ve çalışma süresi) sizin sarmal kapınıza uygun değilse motoru takmayınız. Ayrıca, motor torku sarmal kapının hareket ettirilmesi için gereken olan tork değerini aşmamalıdır.** Kullanım konusundaki diğer sınırlandırmalar "Teknik Özellikler" bölümünde yer almaktadır.
- Dış ortamda kurulması durumunda motorun atmosfer şartlarına karşı uygun şekilde korunduğundan emin olunuz.
- Sarmal kapının iyi bir şekilde dengelendiğinden emin olunuz: örneğin herhangi bir konumda sabit bırakılması durumunda hareket etmemelidir.
- Sarmal kapının, hem kapanma hem de açılma hareketi esnasında artırılmış sürtünme noktalarına sahip olmamasına dikkat ediniz.
- Sarmal kapının hareketi esnasında düzenli ve sessiz bir şekilde hareketini tamamladığından emin olunuz.
- Kurulum alanının motor ebatına uygun olmasından emin olunuz **şekil 1**.
- Sistemin güç hattı üzerinde ana elektrik şebekesinden şebekeyi kesebilecek bir şalter cihazı takınız ve temas devreleri arasında kategori III aşırı voltaj durumlarında cihazın elektrik bağlantısının tamamen kesilmesini sağlayan bir boşluk bırakınız.

### 3.2 - Kurulum hazırlama çalışmaları

**Şekil 2'de Nice** bileşenleriyle kurulan bir otomasyon sistemi gösterilmektedir:

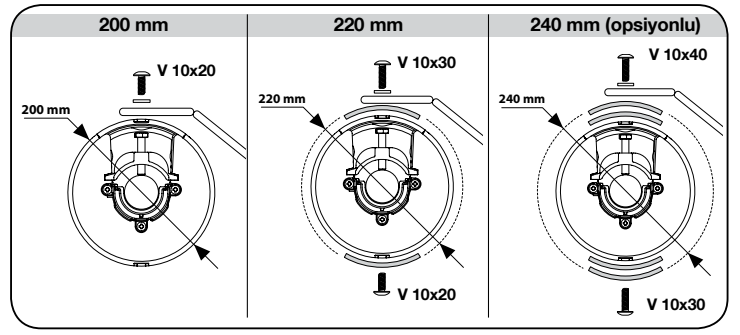
- a - Giro dişli motor
- b - Buat kutusu
- c - Manuel Halatı (sadece tersinmez versiyonlar için)
- d - Buton
- e - Elektrik güç hattı
- f - Yay kutusu

Bu bileşenler tipik ve olağan bir düzene göre konumlandırılmışlardır. **Şekil 2'**ye referans yapılarak sistemdeki her bir bileşenin dahil edileceği yaklaşık konumu belirleyiniz. **Önemli** – Kurulum öncesinde, sisteminiz için gerekli olan elektrik kablolarını hazırlayınız, bakınız **şekil 2**.

### 3.3 - Motorun Kurulumu

#### UYARILAR

- **Yanlış bir kurulum işleri yapan ve sistemi kullanacak olan kişilere ciddi zararlar verebilir.**
- **Otomasyon sisteminin kurulumuna başlamadan önce paragraf 3.1 ve 3.2'de belirtilen ön kontrolleri gerçekleştiriniz.**
- 01. Yay şaftının erişilebilir olmasını sağlamak amacıyla sarmal kapıyı tamamen kapatınız; içerisinden çapı 9 mm olan bir delik yapınız (**şekil 3**).
- 02. İki adet M8 vidasını sökerek küçük yarı rulmanı (**şekil 4**) ve altındaki manşonu çıkartınız (**şekil 5**).
- 03. Yay kutularının çapını ölçünüz:
  - Eğer çap 200 mm'ye eşitse kurulumla devam ediniz.
  - Eğer çap 220 mm'ye veya 240 mm'ye (opsiyonlu) eşit olursa uygun adaptörü kullanınız **şekil 6**.

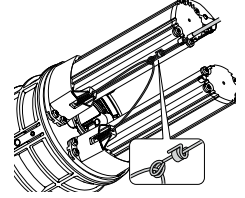


04. Yay kutusunun çapını ölçünüz:

- Eğer çap 76 mm'ye eşitse, kurulumla devam ediniz.
  - Eğer çap 60 mm'ye eşitse, tedarik edilen adaptörü kullanınız (**Şekil 6 ve 7**) ve ardından kurulumla devam ediniz.
  - Eğer çap 48 mm'ye eşitse (opsiyonlu) tedarik edilmeyen ilgili adaptörleri (opsiyonlu) kullanınız (**şekil 6 ve 7**) ve ardından kurulumla devam ediniz.
05. Dişli motorunu yay şaftına konumlandırınız ve bir manşon yardımıyla onu bloke ediniz (**şekil 8**).
06. Daha öncesinden yay şaftında yapılan delikten geçmesini sağlayarak merkez parçasını (M10) sıkıştırınız, bakınız **şekil 9**.
07. İki tane diş vidayı (M10) sıkıştırarak dişli motorunu yay şaftına sabitleştiriniz ve ardından tüm üç vidayı somunlarla kilitleyiniz (**şekil 9**).
08. Kablo geçişi için yay şaftı üzerinde bir delik açınız (**şekil 10**).

Tersinmez versiyonlar için	Tersinebilir versiyonlar için
09. Delikten besleme kablosunu ve manüel blokaj kablosunu geçiriniz.	09. Besleme kablosunu delikten geçirerek <b>doğrudan 13.</b> noktaya ulaşmasını sağlayınız

10. Ardından manüel blokaj için çelik kablosunu özel yuvaya yerleştiriniz ve terminalin yayın içinden geçmesini sağlayınız (**şekil 11**); gerekirse yayı çıkartınız ve yeniden yerleştiriniz. İki motorlu versiyonlarda serbest bırakma kablosunun ucunu şekilde gösterildiği gibi yaya bağlayın.



11. Bırakma düğmesini tüm ayar düğmeleri sıkıştırılmış durumda monte ediniz (**A**) **şekil 12**; ardından kabloyu yerleştiriniz ve ona elektrik vererek onu terminalle birlikte kilitleyiniz (**B**) **Şekil 12**.
12. Manuel bırakma işlemini gerçekleştiriniz: alt düğmeyi saat yönünde çevirerek açınız (**Şekil 13**);
13. Manuel olarak dişli motorun kilitleyip kilitlemediğini kontrol ediniz. Eğer gerekliyse fazladan boşluğu gidermek için ayar düğmelerini kullanınız.
14. Daha önceden sökülen küçük yarı rulmanın dişinin hafifçe yağlayınız (madde 2) ve iki adet (M8) vidasını takınız ve tam olarak sıkıştırınız (**Şekil 14**). Madde 04'de de olduğu gibi herhangi bir diş adaptörü yarı rulmanın üzerinde monte ediniz.
15. **Şekil 15'**de de gösterildiği gibi elektrik bağlantıları yapınız.
16. Sarmal kapının en yüksek kısmı üzerinde çapı 11 mm olan bir delik açınız ve bu kısmı motorun dış deliğinde sabitleştiriniz **şekil 16**.
17. (M10) vidasını ve rondela kullanarak sarmal kapının alt kısmını kilitleyiniz (**şekil 16**).

### 3.4 - Limit düğmesi ayarı

01. Alt düğmeyi saat yönünde açarak manuel bırakma işlemini yapınız (**şekil 13**) ardından, sarmal kapıyı açınız ve kapatınız ve kapının hareketlerinin düzenli ve sessiz bir şekilde olup olmadıklarına bakınız.
02. (**Sadece tersinmez versiyonlar için**) Alt düğmeyi saat yönünün tersinde sıkıştırarak motoru kilitleyiniz (**şekil 18**).
03. Motoru çalıştırınız ve bir açma işlemi yapınız; sarmal kapının istenen noktada durup durmadığına bakınız. Daha büyük bir kesinlik için ayar silindirlerini kullanınız (**şekil 18**). Ok rotasyon yönünün göstermektedir (+ işareti darbede bir artış olduğunu göstermektedir).
04. İstenen konumu bulmak için çeşitli denemeler yaparak devam ediniz.

### 3.5 - (Sadece tersinmez versiyonlar için) Manuel kapatma ve prosedürü

**Önemli!** - Motorun manuel manüel kilitleme ve bırakma prosedürleri sadece motor tamamen kapalı durumdaki yapılmalıdır.

Manuel işlemler sadece elektrik kesintisi, sistem hataları veya kullanım kılavuzunda açıkça belirtilmesi durumunda yapılmalıdır.

#### Motorun açılması:

01. Belirli bir dayanıklılık hissedene kadar düğmenin alt kısmını saat yönünde gevşetiniz (**şekil 13**);
02. Sarmal kapıyı manuel olarak açınız veya kapatınız.

#### Motorun kapatılması (kilitlemesi):

01. Belirli bir dayanıklılık hissedene kadar düğmenin alt kısmını saat yönünün tersinde sıkıştırınız (**şekil 17**).

**Önemli!** - Motorun açılmasından sonra sürgünün manüel bir şekilde hareket ettirilmesinden dolayı ayarlanmış olan limit eşik değerinin aşılması durumunda, yeni konumlara göre otomatik ayar yapılacaktır.

## 4 TEST ETME VE İŞLETMEYE ALMA

### 4.1 - Test Etme

Bu aşamalar, maksimum sistem güvenliğini sağlamak amacıyla otomasyon kurulumunun en önemli aşamalarıdır. Test ayrıca otomasyon cihazlarının periyodik bir kontrolü olarak da yapılabilir. Otomasyon testi ve işletmeye alınma işlemleri, mevcut risklere göre uyumlaştırılmış çözümleri kontrol etmek amacıyla yapılan testlere ve kapılar için otomasyon sistemlerinin kontrolü için test yöntemlerini belirleyen 12445 standardının tüm gereksinimleri de dahil olmak üzere yürürlükteki tüm yasalara, standart ve düzenlemelere uymakla sorumlu olan becerikli ve kalifiyeli personel tarafından gerçekleştirilmelidir.

Ek cihazlar işlevsellik ve GIRO ile doğru etkileşim için spesifik bir teste tabii tutulmalıdır; bu nedenle bireysel cihazların kullanım kılavuzlarına bakınız.

01. Bölüm 1 "UYARILAR" bölümünde yer alan maddelerin dikkate alındığından emin olunuz.
02. Bağlantıların iyi durumda olup olmadıklarını kontrol ediniz, örneğin kırımların olmaması gibi.
03. Motorun yay şaftına uygun bir şekilde sabitleştirildiğinden emin olunuz.
04. Vida bağlantılarının sıkı olduklarından emin olunuz.
05. Elektrik temasların iyi durumda olduklarından emin olunuz.
06. Halka sunumlarının aksiyel olarak aşırı derecede oynamadıklarından emin olunuz.
07. Tam bir manevra yaparak (üst-alt) ayar düğmelerinin ayarın kontrol ediniz.
08. Herhangi bir noktada kilitlenen Motorun herhangi bir hareketin olmadığından emin olunuz.
09. (Sadece tersinmez versiyonlar için) Açılma ile birlikte motorun sarmal kapıdan kolaylıkla çıktığından emin olunuz.

### 4.2 - Devreye Alma

Devreye alma aşaması sadece tüm test aşamalarının olumlu sonuçlandırılmasından sonra gerçekleştirilebilir.

01. Otomasyon dokümantasyonunu hazırlayınız ve minimum 10 sene muhafaza ediniz. Söz konusu dokümantasyon minimum bir gereksinim olarak şunları içermelidir: otomasyon sisteminin tam bir çizimi, yapılan tüm bağlantıların bir kablo diyagramı, mevcut olan tüm risklerin bir değerlendirmesi ve benimsenen çözümler, kullanılan tüm cihazların üreticisinin bir uygunluk beyannamesi (Giro için ektteki Uygunluk Beyannamesini kullanınız); kullanım kılavuzunun ve otomasyon bakım çizelgesinin bir sureti.
02. Minimum olarak aşağıdaki bilgileri içeren bir etiketi kapının üzerinde yerleştiriniz: otomasyon timi, üreticinin adı ve adresi ("işletmeye almadan sorumlu kişi"), seri numarası, yapım yılı ve "CE" işareti.
03. Kapının yanında açma işlemlerini ve manüel manevralarını açıklayan kalıcı bir levha veya işaret yerleştiriniz.
04. Otomasyon sistemi için bir uygunluk beyannamesi hazırlayınız ve onu mal sahibine veriniz.
05. "Otomasyon sistemi kullanım talimatları ve uyarıları" kılavuzunu hazırlayınız ve onu mal sahibine teslim ediniz.
06. Otomasyon sisteminin bakım çizelgesini hazırlayınız ve onu mal sahibine teslim ediniz (bireysel cihazlar için tüm bakım talimatlarını içermelidir).

07. Otomasyon sistemini devreye almadan önce, mal sahibine yazılı olarak tüm ilişkili riskler ve tehlikeler konusunda bilgi verildiğinden emin olunuz (örneğin otomasyon kılavuzunu kullanma talimatları ve uyarıları).

## ÜRÜN BAKIMI

Güvenlik seviyesini sabit tutmak ve otomasyon sisteminin maksimum çalışma ömrünü garantilemek amacıyla her 6 ayda bir bakım yapılması gereklidir.

**DİKKAT! – Bakım işlemleri bu kılavuzda belirtilen güvenlik talimatlarına ve yürürlükteki yasa ile standartlara uygun olarak yapılmalıdır.**

01. Herhangi UPS veya akü dahil olmak üzere herhangi bir elektrik bağlantı kaynağını kesiniz.
02. Otomasyon sistemindeki tüm materyallerin bozulma durumunu kontrol ediniz, yapısal parçaların paslanma veya oksitlenme durumlarına özellikle dikkat ediniz; yeterli derecede güvenlik sağlamayan parçaları değiştiriniz.
03. Hareketli parçaların aşınma durumunu kontrol ediniz.
04. Güç bağlantılarını tekrardan bağlayınız ve paragraf "4.1 Test Etme"de yer alan tüm test ve kontrolleri yapınız.

## ÜRÜNÜN İMHASI

**Bu ürün kontrol ettiği otomasyon sisteminin ayrılmaz bir parçası olup sistemle birlikte imha edilmelidir.**

Kurulum işlemlerinde de olduğu gibi, ürünün kullanım ömrünün sonunda imha işlemi kalifiyeli personel tarafından yapılmalıdır.

Bu ürün çeşitli tiplerdeki materyallerden oluşmaktadır: bunlardan bazıları geri dönüşüme gönderilebilir fakat bazıları hurda olmaktadır. Bu ürün kategorisi için bölgesinde kullanılan geri dönüşüm ve imha sistemleri hakkında bilgi edininiz.

**Dikkat!** – Ürünün bazı parçaları çevreye bırakıldıkları takdirde çevreye veya insan sağlığına ciddi zararlar verebilecek kirlenici veya zararlı maddeler içerebilir.

Burada gösterilen sembolün tarafından da belirtildiği üzere, ürün diğer ev atıklarıyla birlikte imha edilmeyebilir. Bölgenizdeki mevcut yasalarca öngörülen şekilde gibi atıkları imha kategorilerine ayırınız veya yeni bir versiyon satın aldığınızda ürünü satıcınıza iade ediniz.

**Dikkat!** – Yürürlükteki yasalara göre bu ürünün yasadışı bir şekilde imha edilmesi durumunda ağır cezalar öngörülebilir.



## ÜRÜNÜN TEKNİK ÖZELLİKLERİ

**UYARILAR:** • Bu bölümde belirtilen tüm teknik özellikler 20°C (± 5°C) değerinde ki bir ortam sıcaklığı için verilmiştir. • Nice S.p.a.'nın aynı amaçlanan kullanım ve işlevsellik kapsamını koruyarak, gerekli görülen herhangi bir zamanda ürünleri değiştirme hakkı saklıdır.

**Not:**

- GR170 ve GR170/V1 tersinmez versiyonlar

- GR170R tersinebilir versiyon

MODEL	GR170 GR170R	GR170/V1	GR340	GR340/V1
Güç kaynağı/frekans	230V / 50Hz	120V / 60Hz	230V / 50Hz	120V / 60Hz
Akım emilimi	1,9 A	4 A	3,3 A	7,6 A
Güç emilimi	430 W	455 W	800 W	900 W
Maksimum tork	170 Nm	170 Nm	340 Nm	340 Nm
Ø 200mm ile maksimum kaldırma gücü	170 kg	170 kg	340 kg	340 kg
Sarmal kapı şaftının standart çapı	76 mm*	76 mm*	76 mm*	76 mm*
Sarmal flanaj çapı	200 mm**	200 mm**	200 mm**	200 mm**
Dönüş hızı	8 RPM	10 RPM	8 RPM	10 RPM
Çalışma ortam sıcaklığı	-20°C ÷ 50°C	-20°C ÷ 50°C	-20°C ÷ 50°C	-20°C ÷ 50°C
Koruma derecesi	IP 20	IP 20	IP 20	IP 20
Termal koruyucu	100°C	100°C	100°C	100°C
Sürekli çalışma süresi	4 dakika	40 s açık 40 kapalı	4 dakika	40 s açık 40 kapalı
Günlük maksimum manevra sayısı	10. (ardışık olmayan)	10. (ardışık olmayan)	10. (ardışık olmayan)	10. (ardışık olmayan)
Ağırlık	7 kg	7 kg	10,5 kg	10,5 kg

\* 60 mm tedarik edilen adaptörle birlikte - 48 mm opsiyonlu adaptörle birlikte

\*\* 220 tedarik edilen adaptörle birlikte - 240 opsiyonlu adaptörle birlikte

# Kullanım Kılavuzu

## (Son kullanıcıya verilecektir)

- **Otomasyon sistemini ilk defa kullanmadan önce** kurulum sorumlusundan riskler hakkında açıklama isteyiniz ve size kurulum sorumlusu tarafından verilen bu kullanıcı talimat ve uyarı **kılavuzunu** okumak için birkaç dakikanızı ayırınız. Gelecekteki herhangi bir şüphenez için veya yeni otomasyon sistemi sahiplerine vermek amacıyla bu kılavuzu muhafaza ediniz.
  - **Otomasyon sisteminiz komutlarınızı güvenilir bir şekilde yerine getirecektir;** ihmalkar veya uygunsuz kullanım tehlikelere neden olabilir: cihazın çalışma menziline kişilerin, hayvanların veya nesnelerin bulunması durumunda hiçbir zaman için otomasyon kontrollerini etkinleştirmeyiniz.
  - **Çocuklar:** bir otomasyon sistemi kişilerin veya nesnelerin varlığında hareketi önlemek amacıyla kendi sensor sistemleriyle yüksek bir güvenlik seviyesi temin etmekte ve sürekli olarak önceden tahmin edilebilir ve güvenli etkinleştirme sağlamaktadır. Bununla birlikte çocukların, otomasyon sistemlerinin etrafında oynamalarının sağlanması tavsiye edilir. Sistemin kazara etkinleştirilme riskini önlemek amacıyla uzaktan kumandaları çocukların erişebileceği yerlerde muhafaza etmeyiniz: **Bunlar oyuncak değildir!**
  - **Sistemi sık sık kontrol ediniz, özellikle kablolarda, yaylarda ve desteklerde olası dengesizlik veya aşınma ya da hasar belirtilerinin olup olmadıklarına bakınız .**  
Aylık olarak hareket motorunun kapının yerde bulunan 50 mm yükseklikteki bir nesneye dokunduğunda tersine dönüp dönmediğini kontrol ediniz. Eğer onarım veya ayar yapılması gerekiyorsa otomasyon sistemini kullanmayınız çünkü bir kurulum hatası veya yanlış dengelenmiş bir kapı yaralanmalara neden olabilir.
  - **Anormallik:** Otomasyon tarafında anormal bir davranış fark edilir ise, bu durumda tesisin elektrik beslemesini kapatınız. Yetkili tesisatçınıza gelene kadar hiçbir müdahalede bulunmayınız.  
**(sadece tersinmez versiyonlar için)** Tesis (ekipman) manüel bir şekilde çalışabilir: "Manüel kapatma ve açma (blokaj ve deblokaj)" maddesinde anlatıldığı gibi redüktör motorunu kapatınız.
  - **Bakım:** Herhangi bir makinede olduğu gibi otomasyon sisteminizin mümkün olduğunca uzun bir süre ve tamamen güvenli bir şekilde çalışabilmesi için düzenli bakımlara ihtiyacı vardır. Kurulum sorumlunuzla birlikte düzenli aralıklı bir bakım programı ayarlayınız: Nice normal evsel kullanımlar için her 6 ayda bir bakım yapılması tavsiye etmektedir fakat bu süre kullanım yoğunluğuna göre değişiklik gösterebilir. Herhangi bir kontrol, bakım veya onarım sadece kalifiyeli personel tarafından yapılmalıdır.
  - Gerekli becerilere sahip olmanız durumunda bile, hiçbir zaman için otomasyon sistemini veya program ve kurulum ayarlarını değiştirmeyiniz: bunlar kurulum sorumlusunun sorumluluğundadırlar.
  - Testler, periyodik bakım ve herhangi bir onarım, bunları yapan kişilerce belgelenmelidir ve belgeler sistem sahibi tarafından muhafaza edilmelidir.
- Yapabileceğiniz ve bizim de sizlere periyodik olarak yapmanızı tavsiye ettiğimiz **tek müdahaleler**, otomasyon sisteminin çalışmasını engelleyebilecek olası yaprak veya taşları temizlemeniz.
- (sadece tersinmez versiyonlar için)** Herhangi bir kişinin paneli çalıştırmasını engellemek için, işleme başlamanın önce "manüel açma ve kapatma" maddesinde açıklandığı şekildeki gibi, **otomasyon sistemini** kapatmayı unutmayınız ve **tüm besleme kaynaklarının bağlantılarını kesiniz** (varsa tampon batarya da dahil olmak üzere).
- **İmha:** Otomasyon sisteminin kullanım ömrünün sona ermesiyle birlikte, kalifiyeli personel tarafından imha edildiğinden ve materyallerin mevcut yerel standartlara uygun olarak geri dönüşüme veya hurdaya gönderildiğinden emin olunuz.

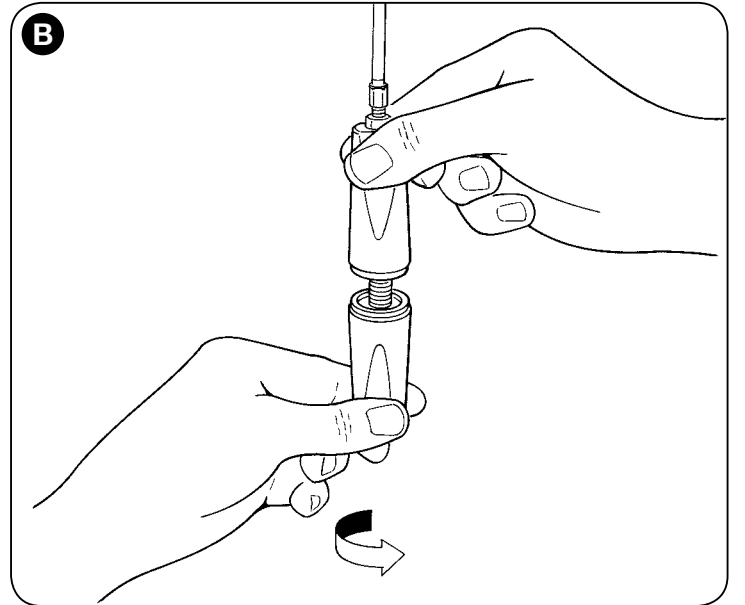
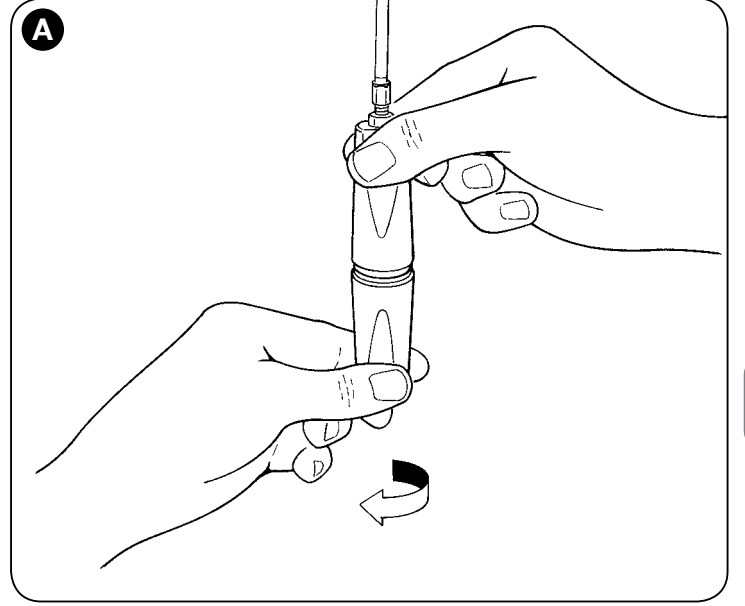
### (sadece tersinmez versiyonlar için) Manüel açma ve kapatma

#### • Motorun açılması:

01. Belirli bir dayanıklılık hissedene kadar düğmenin alt kısmını saat yönünde gevşetin. **(Şekil A)**;
02. Sarmal kapıyı manüel olarak açınız veya kapatınız.

#### • Motorun kapatılması (kilitlenmesi):

01. Belirli bir dayanıklılık hissedene kadar düğmenin alt kısmını saat yönünün tersinde sıkıştırınız **(Şekil B)**.



## CE DECLARATION OF CONFORMITY and declaration of incorporation of "quasi-machine" Declaration in accordance with Directives: 2004/108/EC (EMC); 2006/42/EC (MD) annex II, part B

**Note** - The content of this declaration corresponds to the declaration at the last available version of the document filed in the offices of Nice S.p.A. prior to the printing of this manual. This text has been adapted to meet editorial requirements. A copy of the original declaration may be requested from Nice S.p.A. (TV) I.

**Declaration number:** 434/GR.

**Revision:** 1

**Language:** EN

**Name of manufacturer:** NICE s.p.a.

**Address:** Via Pezza Alta 13, Rustigné Industrial Zone, 31046 Oderzo (TV) Italy

**Person authorised to provide the technical documentation:** Nice s.p.a.

**Product type:** Electromechanical gearmotor for GIRO series rolling doors

**Model / Type:** GR170, GR170R

**Accessories:** GRA01, GRA01R

The undersigned Mauro Sordini, as Managing Director, hereby declares under his own responsibility that the product identified above complies with the provisions of the following directives:

- DIRECTIVE 2004/108/EC OF THE EUROPEAN PARLIAMENT AND COUNCIL of December 15 2004 concerning alignment of Member States' legislation regarding electromagnetic compatibility and abrogating directive 89/336/EEC, according to the following harmonised standards: EN 61000-6-2:2005, EN 61000-6-3:2007+A1:2011

The product also complies with the following directive in accordance with the requirements for "quasi-machines":

- Directive 2006/42/EC OF THE EUROPEAN PARLIAMENT AND COUNCIL of 17 May 2006 regarding machines and amending directive 95/16/EC (consolidated text), in accordance with the following harmonised standards:

- I declare that the pertinent technical documentation has been prepared in accordance with Annex VII B to Directive 2006/42/EC and that the following essential requirements have been met:

1.1- 1.1.2- 1.1.3- 1.2.1-1.2.6- 1.5.1-1.5.2- 1.5.5- 1.5.6- 1.5.7- 1.5.8- 1.5.10- 1.5.11

- The manufacturer agrees to send the national authorities pertinent information on the "quasi-machine" in response to a motivated request without affecting its intellectual property rights.

- If the "quasi-machine" is operated in a European country with an official language other than the language used in this declaration, the importer must associate a translation with this declaration.

- The "quasi-machine" must not be operated until the final machine in which it is to be incorporated is declared to conform to the provisions of Directive 2006/42/EC, if applicable to it.

The product also complies with the following standards: EN 60335-1:2002 + A1:2004 + A11:2004 + A12:2006 + A2:2006 + A13:2008+ A14:2010 + A15:2011; EN 60335-2-103:2003+A1:2009

The parts of the product which are subject to the following standards comply with them: EN 13241-1:2003, EN 12445:2002, EN 12453:2002, EN 12978:2003

Oderzo, February 24, 2014

Ing. Mauro Sordini (Managing Director)

## DICHIARAZIONE CE DI CONFORMITÀ e dichiarazione di incorporazione di "quasi macchina" Dichiarazione in accordo alle Direttive: 2004/108/CE (EMC); 2006/42/CE (MD) allegato II, parte B

**Note** - Il contenuto di questa dichiarazione corrisponde a quanto dichiarato nell'ultima revisione disponibile, prima della stampa di questo manuale, del documento ufficiale depositato presso la sede di Nice Spa. Il presente testo è stato riadattato per motivi editoriali. Copia della dichiarazione originale può essere richiesta a Nice S.p.a. (TV) I.

**Numero dichiarazione:** 434/GR.

**Revisione:** 1

**Lingua:** IT

**Nome produttore:** NICE s.p.a.

**Indirizzo:** Via Pezza Alta 13, Rustigné Industrial Zone, 31046 Oderzo (TV) Italia

**Persona autorizzata a costituire la documentazione tecnica:** Nice s.p.a.

**Tipo di prodotto:** Motoriduttore elettromeccanico per serrande serie GIRO

**Modello / Tipo:** GR170, GR170R

**Accessori:** GRA01, GRA01R

Il sottoscritto Mauro Sordini in qualità di Amministratore Delegato, dichiara sotto la propria responsabilità che il prodotto sopra indicato risulta conforme alle disposizioni imposte dalle seguenti direttive:

- DIRETTIVA 2004/108/CE DEL PARLAMENTO EUROPEO E DEL CONSIGLIO del 15 dicembre 2004 concernente il ravvicinamento delle legislazioni degli Stati membri relative alla compatibilità elettromagnetica e che abroga la direttiva 89/336/CEE, secondo le seguenti norme armonizzate: EN 61000-6-2:2005, EN 61000-6-3:2007+A1:2011

Inoltre il prodotto risulta essere conforme alla seguente direttiva secondo i requisiti previsti per le "quasi macchine":

- Direttiva 2006/42/CE DEL PARLAMENTO EUROPEO E DEL CONSIGLIO del 17 maggio 2006 relativa alle macchine e che modifica la direttiva 95/16/CE (rifusione), secondo le seguenti norme armonizzate:

1.1- 1.1.2- 1.1.3- 1.2.1-1.2.6- 1.5.1-1.5.2- 1.5.5- 1.5.6- 1.5.7- 1.5.8- 1.5.10- 1.5.11

- Il produttore si impegna a trasmettere alle autorità nazionali, in risposta ad una motivata richiesta, le informazioni pertinenti sulla "quasi macchina", mantenendo impregiudicati i propri diritti di proprietà intellettuale.

- Qualora la "quasi macchina" sia messa in servizio in un paese europeo con lingua ufficiale diversa da quella usata nella presente dichiarazione, l'importatore ha l'obbligo di associare alla presente dichiarazione la relativa traduzione.

- Si avverte che la "quasi macchina" non dovrà essere messa in servizio finché la macchina finale in cui sarà incorporata non sarà a sua volta dichiarata conforme, se del caso, alle disposizioni della direttiva 2006/42/CE.

Inoltre il prodotto risulta conforme alle seguenti norme: EN 60335-1:2002 + A1:2004 + A11:2004 + A12:2006 + A2:2006 + A13:2008+ A14:2010 + A15:2011; EN 60335-2-103:2003+A1:2009

Il prodotto risulta conforme, limitatamente alle parti applicabili, alle seguenti norme: EN 13241-1:2003, EN 12445:2002, EN 12453:2002, EN 12978:2003

Oderzo, 24 febbraio 2014

Ing. Mauro Sordini (Amministratore Delegato)

## DÉCLARATION DE CONFORMITÉ CE et déclaration d'incorporation de « quasi-machine » Déclaration conforme aux Directives : 2004/108/CE (CEM) ; 2006/42/CE (MD) Annexe II, partie B

**Remarque** : le contenu de cette déclaration correspond aux déclarations figurant dans la dernière version du document officiel disponible avant l'impression de ce manuel, déposé auprès du siège social de Nice S.p.A. Le présent texte a été remanié pour des raisons d'édition. Une copie de la déclaration originale peut être demandée à Nice S.p.A. (TV) - Italie.

**Numéro de déclaration :** 434/GR.

**Révision :** 1

**Langue :** FR

**Nom du fabricant :** NICE s.p.a.

**Adresse :** Via Pezza Alta 13, Z.I. Rustigné, 31046 Oderzo (TV) Italie

**Personne autorisée à constituer la documentation technique :** Nice s.p.a.

**Type de produit :** Motoréducteur électromécanique pour volets série GIRO

**Modèle / Type :** GR170, GR170R

**Accessoires :** GRA01, GRA01R

Le soussigné Mauro Sordini, en qualité d'Administrateur délégué, déclare sous son entière responsabilité que le produit susmentionné est conforme aux dispositions prescrites par les directives suivantes :

- DIRECTIVE 2004/108/CE DU PARLEMENT EUROPÉEN ET DU CONSEIL du 15 décembre 2004 relative au rapprochement des législations des États membres concernant la compatibilité électromagnétique et abrogeant la Directive 89/336/CEE, selon les normes harmonisées suivantes : EN 61000-6-2:2005, EN 61000-6-3:2007+A1:2011

En outre, le produit s'avère conforme à la Directive ci-après selon les conditions essentielles requises pour les « quasi-machines » :

- Directive 2006/42/CE DU PARLEMENT EUROPÉEN ET DU CONSEIL du 17 mai 2006 relative aux machines et modifiant la Directive 95/16/CE (refonte), suivant les normes harmonisées suivantes :

- Nous déclarons que la documentation technique pertinente a été remplie conformément à l'Annexe VII B de la Directive 2006/42/CE et que les conditions essentielles suivantes ont été respectées : 1.1- 1.1.2- 1.1.3- 1.2.1-1.2.6- 1.5.1-1.5.2- 1.5.5- 1.5.6- 1.5.7- 1.5.8- 1.5.10- 1.5.11

- Le producteur s'engage à transmettre aux autorités nationales, en réponse à une demande motivée, les renseignements pertinents sur la « quasi-machine », sans préjudice de ses droits de propriété intellectuelle.

- Si la « quasi-machine » est mise en service dans un pays européen dont la langue officielle diffère de celle employée dans la présente déclaration, l'importateur sera tenu d'accompagner la présente déclaration de la traduction et afférente.

- Nous avertissons que la « quasi-machine » ne devra pas être mise en service tant que la machine finale à laquelle elle sera incorporée n'aura pas à son tour été déclarée conforme, s'il y a lieu, aux dispositions de la Directive 2006/42/CE.

En outre, le produit s'avère conforme aux normes suivantes: EN 60335-1:2002 + A1:2004 + A11:2004 + A12:2006 + A2:2006 + A13:2008+ A14:2010 + A15:2011; EN 60335-2-103:2003+A1:2009

Le produit s'avère conforme, limitativement aux parties applicables, aux normes suivantes :EN 13241-1:2003, EN 12445:2002, EN 12453:2002, EN 12978:2003

Oderzo, 24 février 2014

Ing. Mauro Sordini (Administrateur délégué)

## DECLARACIÓN CE DE CONFORMIDAD y declaración de incorporación de una "cuasi máquina" Declaración de conformidad con las Directivas: 2004/108/CE (CEM); 2006/42/CE (DM), anexo II, parte B

**Note** - El contenido de la presente declaración se corresponde con cuanto se declara en el documento oficial presentado en la sede de Nice S.p.a. y con la última revisión disponible antes de la impresión de este manual. El texto aquí contenido se ha adaptado por cuestiones editoriales. No obstante, se puede solicitar una copia de la declaración original a Nice S.p.a. (TV) I.

**Número de declaración:** 434/GR.

**Revisión:** 1

**Idioma:** ES

**Nombre del fabricante:** NICE s.p.a.

**Dirección:** Via Pezza Alta 13, Z.I. Rustigné, 31046 Oderzo (TV) Italia

**Persona autorizada para elaborar la documentación técnica:** Nice s.p.a.

**Tipo de producto:** motorreductor electromecánico de la serie GIRO para instalación en cierras

**Modelo/Tipo:** GR170, GR170R

**Accesorios:** GRA01, GRA01R

El abajo firmante, Mauro Sordini, en calidad de Director general, bajo su propia responsabilidad, declara que el producto arriba indicado cumple con las disposiciones contempladas en las siguientes Directivas:

- DIRECTIVA 2004/108/CE DEL PARLAMENTO EUROPEO Y DEL CONSEJO de 15 de diciembre de 2004 relativa a la aproximación de las legislaciones de los Estados miembros en materia de compatibilidad electromagnética y por la que se deroga la Directiva 89/336/CEE, según las siguientes normas armonizadas: EN 61000-6-2:2005 y EN 61000-6-3:2007+A1:2011

Asimismo, el producto también cumple con la siguiente Directiva de conformidad con los requisitos previstos para las "cuasi máquinas":

- Directiva 2006/42/CE DEL PARLAMENTO EUROPEO Y DEL CONSEJO, de 17 de mayo de 2006, relativa a las máquinas y por la que se modifica la Directiva 95/16/CE (refundición), en virtud de las siguientes normas armonizadas:

- Se declara que la documentación técnica correspondiente se ha elaborado de conformidad con el anexo VII B de la Directiva 2006/42/CE y que se han respetado los siguientes requisitos fundamentales:

1.1- 1.1.2- 1.1.3- 1.2.1-1.2.6- 1.5.1-1.5.2- 1.5.5- 1.5.6- 1.5.7- 1.5.8- 1.5.10- 1.5.11

- El fabricante se compromete a remitir a las autoridades nacionales, previa solicitud justificada, la información pertinente acerca de la "cuasi máquina", sin perjudicar en ningún momento los propios derechos de propiedad intelectual.

- En caso de que la "cuasi máquina" se ponga en funcionamiento en un país europeo cuya lengua oficial difiera de la que se utiliza en la presente declaración, el importador tiene la obligación de asociar la traducción correspondiente a esta declaración.

- Se advierte que la "cuasi máquina" no debe ponerse en funcionamiento hasta que, si procede, no se declare la conformidad con las disposiciones contempladas en la Directiva 2006/42/CE de la máquina final en que será incorporada.

El producto también cumple con las siguientes normas: EN 60335-1:2002 + A1:2004 + A11:2004 + A12:2006 + A2:2006 + A13:2008+ A14:2010 + A15:2011; EN 60335-2-103:2003+A1:2009

El producto, con limitación a las partes aplicables, también cumple con las siguientes normas: EN 13241-1:2003, EN 12445:2002, EN 12453:2002 y EN 12978:2003

Oderzo, 24 de febrero 2014

Ing. Mauro Sordini (Director general)

**EG-KONFORMITÄTSEKLRÄRUNG und Einbauerklärung der „unvollständigen Maschine“  
Erklärung in Übereinstimmung mit den Richtlinien: 2004/108/EG (EMC); 2006/42/EG (MD) Anlage II, Teil B**

**Anmerkung** - Der Inhalt dieser Erklärung entspricht den Erklärungen in der letzten verfügbaren Revision, vor dem Druck des vorliegenden Handbuchs, des bei der Firma Nice Spa hinterlegten offiziellen Dokuments. Dieser Text wurde aus redaktionellen Gründen angepasst. Eine Kopie der ursprünglichen Erklärung kann bei Nice S.p.a. (TV) Italy angefordert werden. (TV) I.

**Erklärungsnummer:** 434/GR.

**Revision:** 1

**Sprache:** DE

**Herstellername:** NICE s.p.a.

**Adresse:** Via Pezza Alta 13, Z.I. Rustigné, 31046 Oderzo (TV) Italien

**Für die technische Dokumentation autorisierte Person:** Nice s.p.a.

**Art des Produkts:** Elektromechanischer Getriebemotor für Rolltore Serie GIRO

**Modell / Typ:** GR170, GR170R

**Zubehör:** GRA01, GRA01R

Der Unterzeichnende, Mauro Sordini, in seiner Funktion als Geschäftsführer, erklärt mit eigener Verantwortung, dass oben genanntes Produkt den Vorschriften entspricht, die in folgenden Richtlinien enthalten sind:  
• RICHTLINIE 2004/108/EG DES EUROPÄISCHEN PARLAMENTS UND DES RATES vom 15. Dezember 2004 zur Angleichung der Rechtsvorschriften der Mitgliedsstaaten über die elektromagnetische Verträglichkeit und zur Aufhebung der Richtlinie 89/336/EGW, gemäß den folgenden harmonisierten Normen: EN 61000-6-2:2005, EN 61000-6-3:2007+A1:2011  
Außerdem entspricht das Produkt folgender Richtlinie, entsprechend der vorgesehenen Anforderungen für die „unvollständigen Maschinen“:

• Richtlinie 2006/42/EG DES EUROPÄISCHEN PARLAMENTS UND DES RATES vom 17. Mai 2006 über Maschinen, welche die Richtlinie 95/16/EG nach folgenden harmonisierenden Richtlinien ändert (Überarbeitung):

- Hiermit wird erklärt, dass die entsprechenden technischen Unterlagen in Übereinstimmung mit Anlage VII B der Richtlinie 2006/42/EG ausgefüllt wurden und folgende essenzielle Anforderungen eingehalten wurden: 1.1- 1.1.2- 1.1.3- 1.2.1-1.2.6- 1.5.1-1.5.2- 1.5.5- 1.5.6- 1.5.7- 1.5.8- 1.5.10- 1.5.11

- Der Hersteller verpflichtet sich, die Informationen über die „unvollständige Maschine“ auf Nachfrage an die nationalen Behörden weiterzuleiten, wobei die eignen Rechte des geistigen Eigentums beibehalten werden.

- Wenn die „unvollständige Maschine“ in einem europäischen Land in Betrieb genommen wird, deren offizielle Sprache nicht die in dieser Erklärung entspricht, hat der Importeur die Pflicht, die entsprechende Übersetzung dieser Erklärung bei zulegen.

- Wir weisen darauf hin, dass die „unvollständige Maschine“ nicht in Betrieb genommen werden darf, bis die Endmaschine, in der sie eingebaut wird, für konform erklärt wurde, entsprechend, wenn der Fall, den Vorschriften der Richtlinie 2006/42/EG.

Außerdem entspricht das Produkt folgenden Normen: EN 60335-1:2002 + A1:2004 + A11:2004 + A12:2006 + A2:2006 + A13:2008 + A14:2010 + A15:2011; EN 60335-2-103:2003+A1:2009  
Das Produkt entspricht, auf die anwendbaren Teile begrenzt, folgenden Normen: EN 13241-1:2003, EN 12445:2002, EN 12453:2002, EN 12978:2003

Oderzo, 24. Februar 2014

Ing. Mauro Sordini (Geschäftsführer)

**DEKLARACJA ZGODNOŚCI WE i deklaracja włączenia maszyny nieukończonyj  
Deklaracja zgodna z dyrektywami: 2004/108/WE (EMC); 2006/42/WE (MD) załącznik II, część B**

**Wskazówka** - Treść niniejszej deklaracji zgodna jest z najnowszą dostępną przed wydrukowaniem niniejszej instrukcji oficjalną wersją zdeponowaną w siedzibie Nice S.p.a. Niniejszy tekst został przereklamowany z przyczyn wydawniczych. Kopię oryginalnej deklaracji zgodności można otrzymać od firmy Nice S.p.a. (TV) I.

**Numer deklaracji:** 434/GR.

**Wersja:** 1

**Język:** PL

**Nazwa producenta:** NICE s.p.a.

**Adres:** Via Pezza Alta 13, 31046 Z.I. Rustigné, Oderzo (TV) Włochy

**Osoba upoważniona do sporządzenia dokumentacji technicznej:** Nice s.p.a.

**Typ produktu:** Silownik elektromechaniczny do bram rolowanych z serii GIRO

**Model/Typ:** GR170, GR170R

**Aksesory:** GRA01, GRA01R

Ja, niżej podpisany Mauro, Sordini jako Dyrektor Generalny deklaruje na własną odpowiedzialność, że wyżej wymieniony produkt jest zgodny z następującymi dyrektywami:

• Dyrektywa PARLAMENTU EUROPEJSKIEGO I RADY NR 2004/108/WE z dnia 15 grudnia 2004 r. w sprawie ujednolicenia prawodawstwa państw członkowskich w zakresie kompatybilności elektromagnetycznej, znosząca dyrektywę 89/336/EGW, zgodnie z następującymi normami zharmonizowanymi: EN 61000-6-2:2005, EN 61000-6-3:2007+A1:2011  
Ponadto produkt jest zgodny z następującą dyrektywą w zakresie wymagań dotyczących maszyn nieukończonych:

• Dyrektywa PARLAMENTU EUROPEJSKIEGO I RADY NR 2006/42/WE z dnia 17 maja 2006 r. dotycząca maszyn, zmieniająca dyrektywę 95/16/WE (przekształcenie), zgodnie z następującymi normami zharmonizowanymi:

- Niżej podpisany deklaruje, że stosowna dokumentacja techniczna została sporządzona zgodnie z załącznikiem VII B dyrektywy 2006/42/WE oraz że spełnione zostały następujące wymagania podstawowe: 1.1- 1.1.2- 1.1.3- 1.2.1-1.2.6- 1.5.1-1.5.2- 1.5.5- 1.5.6- 1.5.7- 1.5.8- 1.5.10- 1.5.11

- Producent zobowiązuje się do przekazania władzom krajowym, w odpowiedzi na uzasadnione zapytanie, informacji dotyczących maszyny nieukończonyj, zachowując całkowicie swoje prawa do własności intelektualnej.

- Jeżeli maszyna nieukończonyj oddana zostanie do eksploatacji w kraju europejskim, którego język urzędowy jest inny niż język niniejszej deklaracji, importer ma obowiązek dołączyć do niniejszej deklaracji stosowne tłumaczenie.

- Ostrzegamy, że maszyny nieukończonyj nie należy uruchamiać do czasu, kiedy maszyna końcowa, do której zostanie włączona, nie uzyska deklaracji zgodności (jeżeli wymagana) z założeniami dyrektywy 2006/42/WE.

Ponadto produkt jest zgodny z następującymi normami: EN 60335-1:2002 + A1:2004 + A11:2004 + A12:2006 + A2:2006 + A13:2008 + A14:2010 + A15:2011; EN 60335-2-103:2003+A1:2009

Produkt jest zgodny z następującymi normami (w zakresie mających zastosowanie części): EN 13241-1:2003, EN 12445:2002, EN 12453:2002, EN 12978:2003

Oderzo, 24 lutego 2014

Ing. Mauro Sordini (Dyrektor Generalny)

**CE-VERKLARING VAN OVEREENSTEMMING VAN EN INBOUWERKLARING BETREFFENDE “NIET VOLTOOIDE MACHINES”  
Verklaring conform Richtlijnen: 2004/108/CE (EMC); 2006/42/EG (MD) bijlage II, deel B**

**Opmerking** - De inhoud van deze verklaring komt overeen met hetgeen is vastgelegd in de nieuwste beschikbare versie, vóór het drukken van deze handleiding, van het officiële document dat is gedeponneerd ten kantore van Nice S.p.a. De hier gepresenteerde tekst is herzien om redactionele redenen. Een exemplaar van de oorspronkelijke verklaring kan worden aangevraagd bij Nice S.p.a. (TV) Italië.

**Numer verklaring:** 434/GR.

**Revisie:** 1

**Taal:** NL

**Firmaam:** NICE s.p.a.

**Adres:** Via Pezza Alta 13, Z.I. Rustigné, 31046 Oderzo (TV) Italië

**Persoon gemachtigd tot het samenstellen van het technisch dossier:** Nice s.p.a.

**Soort product:** Elektromechanische reductiemotor voor rolluiken uit de GIRO-serie

**Model / Type:** GR170, GR170R

**Accessoires:** GRA01, GRA01R

Ondergetekende Mauro Sordini verklaart onder eigen verantwoordelijkheid als Gedelegeerd Directeur dat het product voldoet aan de vereisten van de hierop volgende richtlijnen:

• RICHTLIJN 2004/108/CE VAN HET EUROPEES PARLEMENT EN DE RAAD VAN DE EUROPESE UNIE van 15 december 2004 betreffende de onderlinge aanpassing van de wetgevingen van de lidstaten inzake elektromagnetische compatibiliteit en tot wijziging van richtlijn 89/336/EEG, volgens de hieropvolgende geharmoniseerde normen: EN 61000-6-2:2005, EN 61000-6-3:2007+A1:2011  
Bovendien voldoet het product aan de hieropvolgende richtlijn volgens de voor "pseudo machines" geldende vereisten:

• Richtlijn 2006/42/EG VAN HET EUROPEES PARLEMENT EN DE RAAD VAN DE EUROPESE UNIE van 17 mei 2006 betreffende machines en tot wijziging van Richtlijn 95/16/EG (herschikking), volgens de hieropvolgende geharmoniseerde normen:

- Hierbij verklaart men dat het relevante technische dossier is ingevuld volgens de aanwijzingen in bijlage VII B van de richtlijn 2006/42/EG en dat daarbij aan de hieropvolgende verplichte eisen is voldaan: 1.1- 1.1.2- 1.1.3- 1.2.1-1.2.6- 1.5.1-1.5.2- 1.5.5- 1.5.6- 1.5.7- 1.5.8- 1.5.10- 1.5.11

- De fabrikant zal zorgdragen voor de overdracht van informatie betreffende de niet voltooid machine, op speciaal verzoek van de wetgevende instanties zonder daarbij schade te doen toekomen aan zijn eigen intellectueel eigendomsrecht.

- Mocht de onvoltooid machine in gebruik worden genomen in een land waar een andere taal wordt gesproken dan in deze verklaring is gebruikt, is de importeur verplicht de vertaling van het desbetreffende document aan de documentatie toe te voegen.

- Het is niet toegestaan de niet voltooid machine in gebruik te nemen voordat de uiteindelijke machine waarop deze zal worden ingebouwd, en indien van toepassing geschikt is verklaard volgens de richtlijn 2006/42/EG.

Bovendien voldoet het product aan de hierop volgende normen: EN 60335-1:2002 + A1:2004 + A11:2004 + A12:2006 + A2:2006 + A13:2008 + A14:2010 + A15:2011; EN 60335-2-103:2003+A1:2009

Het product voldoet, waar van toepassing, aan de hierop volgende normen: EN 13241-1:2003, EN 12445:2002, EN 12453:2002, EN 12978:2003

Oderzo, 24 februari 2014

Ing. Mauro Sordini (Gedelegeerd Directeur)

**CE UYGUNLUK BEYANNAMESİ ve “kısmen monte edilmiş makine” beyannamesi  
2004/108/CE (EMC); 2006/42/CE (MD) Ek II, kısım B Direktifine uygun beyanname**

**Not** - Bu beyannamenin içeriği en son mevcut revizyonda, bu kılavuz basılmadan önce, Nice Spa şirket merkezinde bulunan resmi dokümanda yer alan beyanlara uygundur. Mevcut metin editörlük amaçları için redaksiyon edilmiştir. Asıl beyanname sureti Nice S.p.a.'dan talep edilebilir. (TV) I.

**Beyanname numarası:** 434/GR.

**Revizyon:** 1

**Dil:** TR

**Üretici adı:** NICE s.p.a.

**Adresi:** Via Pezza Alta 13, Rustigné Industrial Zone, 31046 Oderzo (TV) Italia

**Teknik dokümantasyonu oluşturmada yetkili kişi:** Nice s.p.a.

**Ürün tipi:** Sarmal kapılar için elektromekanik dişli motor GIRO serisi

**Model / Tip:** GR170, GR170R

**Aksesuarlar:** GRA01, GRA01R

Aşağıda imzası bulunan Mauro Sordini Vekil Yönetici sıfatıyla kendi sorumluluğu dahilinde yukarıda belirtilen ürünün aşağıdaki direktiflerin gereksinimlerini karşıladığını beyan eder:

• Aşağıdaki uyumlaştırmaları normlara uygun olarak, 89/336/CEE direktifinin yerine geçen elektromanyetik uyumluluk konusundaki Üye devletlerin yasalarının uyumlaştırılması amacıyla 15 Aralık 2004 tarihli AVRUPA PARLAMENTO VE KONSEYİNİN 2004/108/CE sayılı Direktifi: EN 61000-6-2:2005, EN 61000-6-3:2007+A1:2011

Diğer hususları yanı sıra ürün “kısmen tamamlanmış makine” için öngörülen aşağıdaki direktiflere uygundur:

• Aşağıdaki uyumlaştırmaları normlar doğrultusunda 95/16/CE (tadil) direktifini değiştiren makine ile ilgili 17 Mayıs 2006 tarihli AVRUPA PARLAMENTOSUNUN VE KONSEYİNİN 2006/42/CE Direktifi:

- İlgili teknik dokümantasyonun 2006/42/CE direktifinin VII B ekinde uygun olarak derlendiği ve aşağıdaki temel gereksinimlerin karşılandığı beyan edilir:

1.1- 1.1.2- 1.1.3- 1.2.1-1.2.6- 1.5.1-1.5.2- 1.5.5- 1.5.6- 1.5.7- 1.5.8- 1.5.10- 1.5.11

- Üretici, açıklanmış bir talebe cevaben ulusal yetkililere kendi fikri mülkiyet haklarına da hâlel getirmeyecek şekilde “kısmen tamamlanmış makine” konusundaki bilgileri sunmakla sorumludur.

- “Kısmen tamamlanmış makine”nin resmi dilinin işbu beyanda kullanılan dilden farklı olduğu bir ülkede işletmeye alınması durumunda, ithalatçı işbu beyannameye ilgili tercümeyle eklemekle yükümlüdür.

- “Kısmen tamamlanmış makinenin” dahil edileceği kesin makinenin 2006/42/CE direktifinin gereksinimleri doğrultusunda uygunluğu beyan edilmedikçe işletmeye alınması gerektiği bildirilir.

Ayrıca ürün aşağıdaki normlara uygundur: EN 60335-1:2002 + A1:2004 + A11:2004 + A12:2006 + A2:2006 + A13:2008 + A14:2010 + A15:2011; EN 60335-2-103:2003+A1:2009

Ürün, uygulanılan kısımlarla sınırlı olmak üzere aşağıdaki normlarla uyumludur: EN 13241-1:2003, EN 12445:2002, EN 12453:2002, EN 12978:2003

Oderzo, 24 Şubat 2014

Ing. Mauro Sordini (Vekil Yönetici)



**Nice SpA**  
Oderzo TV Italia  
info@niceforyou.com

[www.niceforyou.com](http://www.niceforyou.com)