

rondo

Table of contents:		page			page
1	Product Description	2	3	Manual Manoeuvre	3
2	Installation	2	4	Testing	3
2.1	Preliminary Checks	2	5	Maintenance	3
2.2	Typical System	2	5.1	Disposal	3
2.3	Mounting	2	6	Technical Characteristics	3
			7	Accessories	4
				Instructions and Warnings for users of RONDO Gearmotor	5

Warnings

This manual has been especially written for use by qualified installation technicians. No information given in this manual can be considered as being of interest to end users. Read these instructions carefully before proceeding with the installation, as they provide important information regarding safety, installation, use and maintenance.

Any use or operation not explicitly provided for in these instructions is not permitted. Improper use may cause damage and personal injury. RONDO is not suitable for use in potentially explosive atmospheres.

1) Product description

RONDO is a gearmotor for spring-balanced rolling gates. It is suitable for the automation of rolling gates having a maximum height of 6m and weighing up to 180kg. The gearmotor may be mounted on rolling gates with a spring shaft diameter of 42mm, 48mm and 60mm.

The spring boxes may have a diameter of 200mm / 220mm. The two ring nuts are made of die-cast aluminium. The gearmotor is equipped with a micrometric screw stop and mechanical position memory.

2) Installation

2.1) Preliminary checks

Please keep in mind that automatic rolling gate systems may only be installed by qualified personnel in compliance with the legislation in force. Make sure that:

- The packing is undamaged and contains all the parts shown in **Fig. 1**.
- The rolling gate opens and closes without presenting points of greater friction.

- The rolling gate is well balanced, i.e., if it is stopped in any position it must not display a tendency to start moving again.
- The rolling gate moves silently and smoothly.
- Refer to **Fig. 2** to make sure that the mounting area is compatible with the overall dimensions of the gearmotor.

2.2) Typical system (Fig. 3)

- | | |
|---|---|
| 1 RONDO gearmotor | 4 reverser switch or electronic control unit |
| 2 connector block | 5 Power supply line |
| 3 release knob (only on versions with brake) | 6 Spring box |

2.3) Mounting

1. Close the rolling gate all the way in order to make the spring shaft accessible and drill an 11mm diameter horizontal hole 90mm from the middle of the spring shaft; **Fig. 4**
2. Remove the two half ring nuts after loosening the two M8 screws; **Fig. 6**
3. Remove the slide ring; **Fig. 7**
4. Slide out the plate in the direction indicated by the arrow; **Fig. 8**
5. Measure the diameter of the spring shaft. If the diameter of the latter is 60mm, proceed with the installation. If the shaft has a diameter of 48mm or 42mm, install the adapters provided; **Fig. 9**
6. Reinstall the plate removed at point 5, paying attention to the direction of assembly, and screw on the four screws provided; **Fig. 10**
7. Mount the adapter ring removed at point 4 and grease its outer surface slightly; **Fig. 11**
8. Insert and tighten the M10 screw; make sure you thread it through the hole drilled in the spring shaft according to the instructions under point 1; if necessary, use the adapter. **Fig. 12**
9. Tighten the two M10 screws so as to secure the gearmotor to the spring shaft. Secure the two screws with lock nuts; **Fig. 13**
10. Drill a hole in the spring shaft for the power and release wire (only on versions with brake); **Fig. 14**
11. Assemble the release knob, with all the adjusters tightened (A), insert the wire and, holding it tight, secure it with the terminal (B). (only on versions with brake); **Fig. 15**
12. Execute the release manoeuvre by turning the bottom knob clockwise to loosen it. Check manually to make sure that the gearmotor is released. If necessary, operate the adjusters to eliminate any slack; **Fig. 16**
13. Slightly grease the teeth on the ring gears removed at point 3, then assemble them, tightening the two M8 screws well; **Fig. 17**
14. Measure the diameter of the spring boxes. If their diameter is 200mm, proceed with the installation.
15. Otherwise, if the diameter is 220mm, use the appropriate adapter (B); **Fig. 18**
16. Remove the cover that protects the terminals. Loosen the cable gland. Make the connections **Fig. 19**. Tighten the cable gland screws. Close the cover that protects the terminals.
17. Using a screwdriver, remove the glass for the adjustment of the limit switches; **Fig. 20**
18. Position the last segment of the rolling gate on the half ring nut and drill an 11-mm diameter hole through it to match the hole in the half ring nut;
19. Tightly fasten the rolling-shutter frame to the gearmotor using screw and washer M10. **Fig. 21**
20. Release the gearmotor (only on versions with brake) and open and close the rolling gate manually, making sure that it slides smoothly. Lock the gearmotor again by tightening the release knob; **Fig. 22**
21. **DOWN LIMIT SWITCH ADJUSTMENT** (closing)
Using the reverser switch, command the gearmotor to perform a down manoeuvre until the limit switch is triggered. In the installation illustration, the closing manoeuvre limit switch is the one shown in **Fig. 23**
22. **ADJUSTING THE ASCENT LIMIT SWITCH** (opening)
Pull the clip outwards while rotating the wheel indicated by the arrow. Bear in mind the fact that approximately 1 cm of its travel corresponds to 1 m of upward movement. Release the clip. Power the gearmotor so it starts rising, and check that the rolling-shutter stops in the position required. **Fig. 24**.
Continue to make adjustments until you reach the position required;
23. Reinsert the limit switch glass, paying attention to the mounting direction; **Fig. 25**
24. In case the installation is contrary to the one described, proceed in the reverse order so that the second limit switch will regulate the down movement, while the first one will regulate the up movement.

3) Manual manoeuvre (only on versions with brake)

⚠ Release only when the rolling gate is stopped.

To release the gearmotor proceed as follows:

- 1 Turn the bottom of the knob clockwise to loosen it until you feel a certain resistance;

- 2 Open or close the rolling gate manually;
- 3 Lock the gearmotor again by performing the contrary operation to the one described at point 1.

4) Testing

Testing is the most important aspect of the installation procedure. Each single component, such as the gearmotor, emergency stop, photocells, etc., may require a specific testing procedure.

We recommend that you follow the directions provided in the relevant instructions manuals.

Testing of the entire automation system must be conducted by experienced and qualified personnel, who must establish what tests are necessary depending on the risks involved.

To test RONDO proceed as follows:

- Make sure that the fusible elements are in good condition, i.e. that there are no breakages;

- Make sure that the gearmotor is securely fastened to the spring shaft;
- Make sure that the screw connections have been well tightened;
- Make sure that the electrical contacts are in good condition;
- Make sure that the axial slack of the ring nut is not excessive;
- Check the adjustment of the limit switches by carrying out a complete manoeuvre (up-down);
- Make sure that when the gearmotor is locked at any point, it displays no tendency to move;
- Make sure that the release device easily disengages the rolling gate's gearmotor (only on versions with brake)

5) Maintenance

RONDO does not require any special maintenance. Scheduled checks every six months will ensure the long life of the gearmotor and the safe operation of the system.

Maintenance simply consists in repeating the testing procedure.

5.1) Disposal

The automation system can be dismantled and scrapped without any risks, since there are no dangerous components. Perform the operations described in the "Mounting" chapter in the reverse order

RONDO is made out of various types of materials which must be disposed of in compliance with the regulations in force. The materials must be separated according to their type (electrical, aluminium, plastic parts, etc.).

6) Technical characteristics

RN2010 - RN2020 - RN2020/V1H6

Reversible brakeless gearmotor

RN2030 - RN2040 - RN2040/V1H6

Non-reversible gearmotor with brake and release device

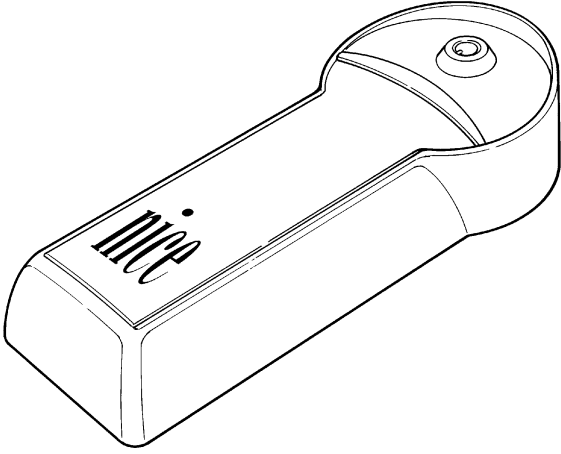
		RN2010 RN2030	RN2020 RN2040	RN2020/V1H6 RN2040/V1H6
Power supply / frequency	Vac/Hz	230/50		120/60
Absorbed current	A	2	2.6	4.8
Absorbed power	W	450	600	580
Max torque	Nm	130	180	
Max lifting force with 200mm diameter	kg	130	180	
Nominal speed	Rpm	8.5		10
Nominal torque	Nm	75	100	
Rolling gate shaft standard diameter	mm	60*		
Roller shutter flanges diameter	mm	200*		
Crown rotation speed (loadless)	Rpm	10	12	
Operating ambient temperature	°C	-20 ÷ +50		
Class protection	IP	20		
Thermal protection	°C	140		
Continuous operating time	Minutes	4		
Max work cycle	sec	50% with 30s ON and 30s OFF		
Weight	kg	9.5	10	
Insulation class		F		

* 48 and 42mm with supplied adapter

** 220mm with supplied adapter

7) Accessories

KIO - Key-operated selector switch with cord-type release





Electromechanical gearmotor for the automation of balanced rolling gates

rondo

Instructions and warnings for users of the RONDO gearmotor

Congratulations for having chosen a Nice product for your automation system!

Nice S.p.a. produces components for the automation of gates, doors, rolling gates, roller shutters and awnings: gearmotors, control units, radio controls, flashing lights, photocells and miscellaneous accessories. Nice uses only the finest materials and first-class workmanship. It focuses on the development of innovative solutions designed to simplify the use of its equipment, dedicating meticulous care to the study of its technical, aesthetic and ergonomic characteristics. From the wide range of Nice products, your installation technician will certainly have selected the one best suited to your specific requirements.

However, Nice is not the producer of your automation system, which is rather the result of a combination of operations carried out by your installation technician, namely analysis, evaluation, selection of materials and system implementation. Each automation system is unique. Your installation technician is the only person who possesses the experience and professionalism needed to set up a system capable of satisfying your requirements, a system that is safe, reliable, long lasting and built in accordance with the regulations in force.

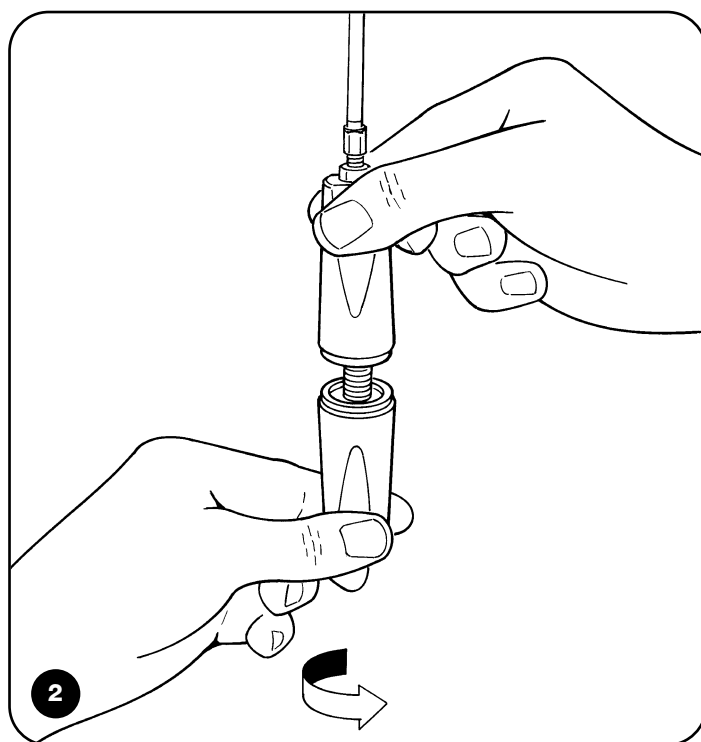
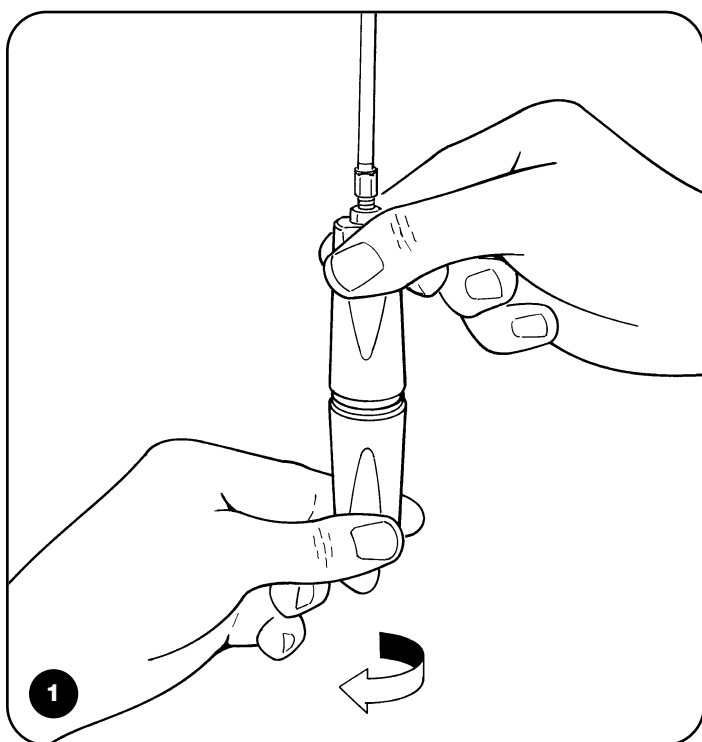
An automation system is not only very convenient; it also improves the level of security in your home. Moreover, it will last for years with very little maintenance. Even though the automation system you possess meets the safety requirements of the legislation in force, this does not exclude the existence of a “residual risk”, i.e. the possibility that dangers may arise, usually as a result of improper or unreasonable use. We have prepared the following list of do’s and don’ts to help you avoid any mishaps:

- **Before using your automation system for the first time**, ask the installer to explain the origin of any residual risks; take a few minutes and read the **users instructions manual** given you by the installer. Retain the manual for future use and deliver it to any subsequent owner of the automation system.
- **Your automation system is a machine that will faithfully execute your commands**; unreasonable or improper use may generate dangers: do not operate the system if there are people, animals or objects within its range of operation.
- **Children**: automation systems are designed to guarantee high levels of safety and security. They are equipped with detection devices that prevent movement if people or objects are in the way, guaranteeing

safe and reliable activation. However, children should not be allowed to play in the vicinity of automated systems; to prevent any accidental activations, keep all remote controls away from children: **they are not toys!**

- **Malfunctions.** If you notice that your automation is not functioning properly, disconnect the power supply to the system and operate the manual release device. Do not attempt to make any repairs; call the installation technician and, in the meantime, operate the system like a non-automatic gate after releasing the gearmotor as described below.
- **Maintenance.** Like any machine, your automation needs regular periodic maintenance to ensure its long life and total safety. Arrange a periodic maintenance schedule with your installation technician. Nice recommends that maintenance checks be carried out every six months for normal domestic use, but this interval may vary depending on the intensity of use. Only qualified personnel are authorized to carry out checks, maintenance operations and repairs.

- Do not modify the system or its programming and adjustment parameters in any way, even if you feel capable of doing it: your installation technician is responsible for the system.
- The final test, the periodic maintenance operations and any repairs must be documented by the person who has performed them; these documents must remain under the custody of the owner of the system.
- **Disposal.** At the end of its useful life, the automation must be dismantled by qualified personnel, and the materials must be recycled or disposed of in compliance with the legislation locally in force.
- **In the event of malfunctions or power failures.** While you are waiting for the technician to come (or for the power to be restored if your system is not equipped with buffer batteries), you can operate the system like any non-automatic gate. In order to do this you need to manually release the gearmotor: this operation, which is the only one that the user of the automation is authorized to perform, has been carefully designed by Nice to make it extremely easy, without any need for tools or physical exertion.



1. Turn the bottom knob clockwise to loosen it until you feel a certain resistance; (**Fig. 1**)
2. Open or close the rolling gate manually;
3. Lock the gearmotor again by turning the bottom knob counter-clockwise until the two knobs are in contact with each other. (**Fig. 2**)

Important: if your system is equipped with a radio control that, after a period of time, seems not to work as well, or not to work at all, it may simply be that the battery is exhausted (depending on the type of battery, it may last from several months up to two or three years). In this case you will see that the light confirming the transmission is weak, or does not come on, or comes on only briefly. Before calling the installation technician try exchanging the battery with one from another operating transmitter: if the problem is caused by a low battery, just replace it with another of the same type.

Are you satisfied? If you wish to install another automation system in your home, call your old installation technician and use Nice products. You will get the services of a specialist and the most advanced products available on the market, superior performances and maximum system compatibility.

Thank you for reading these instructions. We feel confident that you will be well satisfied with your new system. For any present or future requirements, please contact your reliable installation technician.

rondo

Indice:	pag.		pag.		
1	Descrizione del prodotto	8	3	Manovra manuale	9
2	Installazione	8	4	Collaudo	9
2.1	Verifiche preliminari	8	5	Manutenzione	9
2.2	Impianto tipico	8	5.1	Smaltimento	9
2.3	Fissaggio	8	6	Caratteristiche tecniche	9
			7	Accessori	10
				Istruzioni ed avvertenze destinate all'utilizzatore del motoriduttore RONDO	11

Avvertenze

Il presente manuale è destinato solamente al personale tecnico qualificato per l'installazione. Nessuna informazione contenuta nel presente fascicolo può essere considerata d'interesse per l'utilizzatore finale.

E' necessario leggere attentamente le istruzioni prima di procedere all'installazione, in quanto forniscono importanti indicazioni riguardanti la sicurezza, l'installazione, l'uso e la manutenzione.

Tutto quello che non è espressamente previsto in queste istruzioni non è permesso. L'uso improprio potrebbe essere fonte di danni e situazioni di pericolo.

RONDO non è adatto all'uso in atmosfera potenzialmente esplosiva.

1) Descrizione del prodotto

RONDO è un motoriduttore per serrande avvolgibili bilanciate a molle. Permette di automatizzare serrande con altezza max di 6m e peso fino a 180kg. Il motoriduttore può essere montato su serrande con diametro albero portamolle da Ø42mm, Ø48mm e Ø60mm.

Le scatole portamolle possono avere un diametro di 200mm / 220mm. Le due ghiera sono in alluminio presso fuso. Dispone di finecorsa a vite micrometrica e memoria meccanica di posizione.

2) Installazione

2.1) Verifiche preliminari

Ricordiamo che gli impianti di serrande automatiche devono essere installati solo da personale qualificato e nel pieno rispetto delle norme di legge. In particolare verificare che:

- La confezione sia integra e contenga tutte le parti presenti in **Fig. 1**.
- La serranda non presenti punti di maggiore attrito sia nella corsa di chiusura che di apertura.
- La serranda sia ben bilanciata, ossia, se fermata in qualsiasi posizione non accenni a riprendere il moto.
- La serranda, nella sua corsa, sia silenziosa e regolare.
- Facendo riferimento alla **Fig. 2** verificare che la zona di fissaggio sia compatibile con l'ingombro del motoriduttore.

2.2) Impianto tipico (Fig. 3)

- 1 motoriduttore RONDO
- 2 scatola di derivazione
- 3 pomello di sblocco (solo su versioni con freno)
- 4 invertitore di comando o centrale elettronica
- 5 Linea elettrica di alimentazione
- 6 Scatole portamolle

2.3) Fissaggio

1. Chiudere completamente la serranda in modo da rendere accessibile l'albero portamolle ed eseguire un foro orizzontale di diametro 11mm a 90mm dal centro dell'albero portamolle; **Fig. 4**
2. Togliere le due semighiere svitando le due viti M8; **Fig. 6**
3. Togliere l'anello di scorrimento; **Fig. 7**
4. Sfilare la piastra nel senso della freccia; **Fig. 8**
5. Misurare il diametro dell'albero portamolle. Se quest'ultimo ha un diametro pari a 60mm, procedere con l'installazione. Se l'albero ha un diametro pari a 48mm o 42mm, applicare i relativi adattatori (in dotazione); **Fig. 9**
6. Reinserire la piastra tolta al punto 5, facendo attenzione al senso di assemblaggio e avvitare le quattro viti in dotazione; **Fig. 10**
7. Inserire l'anello adattatore tolto al punto 4 ed ingrassarlo leggermente all'esterno; **Fig. 11**
8. Avvitare la vite M10 facendo attenzione di farla passare attraverso il foro, eseguito al punto 1, nell'albero portamolle ed eventualmente l'adattatore. **Fig. 12**
9. Avvitare le due viti M10 in modo tale da fissare il motoriduttore all'albero portamolle. Bloccare le due viti con controdado; **Fig. 13**
10. Eseguire un foro sull'albero portamolle in modo da far passare il cavo di alimentazione e di sblocco (solo su versioni con freno); **Fig. 14**
11. Assemblare il pomello di sblocco, con tutti i regolatori avvitati (A), infilare il cavo e tenendolo in tensione, bloccarlo con il morsetto (B). (solo su versioni con freno); **Fig. 15**
12. Eseguire la manovra di sblocco svitando in senso orario il pomello inferiore. Verificare manualmente che il motoriduttore sia sbloccato. Eventualmente agire sui regolatori per eliminare i giochi; **Fig. 16**
13. Ingrassare leggermente la dentatura delle ghiera tolte al punto 3 e assemblarle serrando a fondo le due viti M8; **Fig. 17**
14. Misurare il diametro delle scatole portamolle. Se risultano avere un diametro pari a 200mm, proseguire con l'installazione.
15. Altrimenti, se pari a 220mm utilizzare l'apposito adattatore (B); **Fig. 18**
16. Togliere il coperchietto proteggi morsetti. Svitare il pressacavo. Effettuare i collegamenti **Fig. 19**. Avvitare le viti del pressacavo. Richiudere il coperchio proteggi morsetti.
17. Togliere con cacciavite il vetrino per regolazione dei finecorsa; **Fig. 20**
18. Presentare l'ultimo telo della serranda sulla semighiera ed eseguire sullo stesso, un foro di diam.11 mm in corrispondenza del foro presente nella semighiera;
19. Bloccare a fondo il telo della serranda al motoriduttore mediante rondella e vite M10. **Fig. 21**.
20. Sbloccare il motoriduttore (solo su versioni con freno), ed eseguire la manovra manuale di apertura e chiusura della serranda verificando il buon scorrimento. Ribloccare avvitando il pomello di sblocco; **Fig. 22**
21. **REGOLAZIONE FINECORSA DI DISCESA** (chiusura)
Con l'invertitore, comandare il motoriduttore in discesa fino all'intervento del finecorsa.
Nell'installazione illustrata, il finecorsa di chiusura è quello indicato nella **Fig. 23**
22. **REGOLAZIONE FINECORSA DI SALITA** (apertura)
Tirare la clip verso l'esterno e contemporaneamente ruotare la rotella indicata dalla freccia tenendo conto che approssimativamente 1cm della sua corsa corrisponde ad 1m di salita. Rilasciare la clip. Alimentare il motoriduttore in salita e verificare che la serranda salendo vada a fermarsi nel punto desiderato. **Fig. 24**.
Proseguire per tentativi successivi fino a trovare la posizione desiderata.
23. Reinserire il vetrino di finecorsa prestando attenzione al senso di montaggio; **Fig. 25**
24. Nel caso in cui l'installazione sia contraria a quella illustrata, agire in modo inverso a quanto descritto poiché il secondo finecorsa regolerà la discesa, mentre il primo la salita.

3) Manovra manuale (solo su versioni con freno)

⚠ Lo sblocco deve avvenire esclusivamente a serranda ferma.

Per sbloccare il motoriduttore occorre:

- 1 Svitare in senso orario la parte inferiore del pomello fino a sentire una certa resistenza;

- 2 Aprire o chiudere manualmente la serranda;
- 3 Ribloccare il motoriduttore effettuando l'operazione contraria al punto 1.

4) Collaudo

Il collaudo è la parte più importante di tutta la realizzazione dell'automazione. Ogni singolo componente, ad esempio motoriduttore, arresto di emergenza, fotocellule ecc. può richiedere una specifica fase di collaudo e per questo si consiglia di seguire le procedure riportate nei rispettivi manuali di istruzioni. Il collaudo dell'intera automazione deve essere eseguito da personale esperto e qualificato che deve farsi carico delle prove richieste in funzione del rischio presente.

Per il collaudo de RONDO eseguire la seguente sequenza di operazioni:

- Controllare che le fusioni siano in buono stato, cioè che non presentino delle rotture;

- Verificare che il motoriduttore sia ben fissato all'albero portamolle;
- Controllare che i collegamenti a vite siano serrati a fondo;
- Verificare che i contatti elettrici siano in buono stato;
- Verificare che la ghiera non presenti eccessivi giochi assiali;
- Verificare la regolazione dei finecorsa compiendo una manovra completa (salita-discesa);
- Verificare che il motoriduttore, bloccato in qualsiasi punto, non accenni ad alcun movimento;
- Verificare che lo sblocco disimpegni agevolmente il motoriduttore dalla serranda (solo su versioni con freno)

5) Manutenzione

La manutenzione di RONDO non necessita di accorgimenti particolari, ma un controllo programmato ogni sei mesi permette una maggiore vita del motoriduttore ed un sicuro funzionamento del sistema.

La manutenzione consiste semplicemente nel ripetere la procedura di collaudo.

5.1) Smaltimento

Nel caso di demolizione dell'automatismo non esistono particolari pericolosi o rischi derivanti dall'automazione stessa. Seguire in senso inverso il capitolo "Fissaggio".

RONDO è costituito da varie tipologie di materiali e l'eliminazione di questi va effettuata rispettando le norme vigenti. E' opportuno che i materiali vengano separati per tipologia (parti elettriche, alluminio, plastica, ecc.).

6) Caratteristiche tecniche

RN2010 - RN2020 - RN2020/V1H6

Motoriduttore reversibile senza freno

RN2030 - RN2040 - RN2040/V1H6

Motoriduttore irreversibile con freno e dispositivo di sblocco

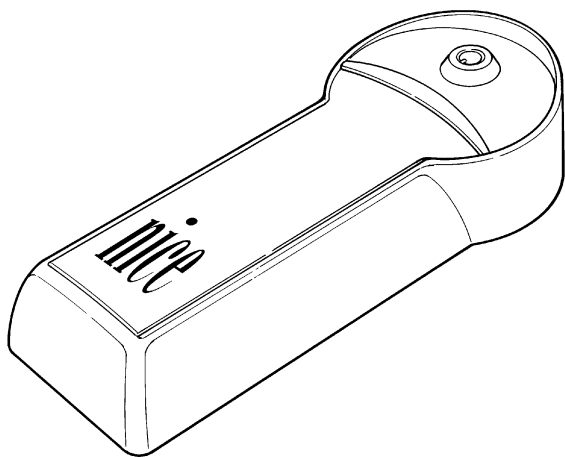
		RN2010 RN2030		RN2020 RN2040	RN2020/V1H6 RN2040/V1H6
		230/50			120/60
Alimentazione / frequenza	Vac/Hz				
Corrente assorbita	A	2	2.6	4.8	
Potenza assorbita	W	450	600	580	
Coppia max	Nm	130		180	
Forza maz di sollevamento con Ø 200mm	kg	130		180	
Velocità nominale	Rpm	8.5		10	
Coppia nominale	Nm	75		100	
Diametro standard albero serranda	mm			60*	
Diametro flangie avvolgibili	mm			200*	
Velocità rotazione corona (a vuoto)	Rpm	10			12
Temperatura ambientale di funzionamento	°C			-20 ÷ +50	
Grado di protezione	IP			20	
Termoprotezione	°C			140	
Tempo di funzionamento continuo	minuti			4	
Ciclo di lavoro max	secondi			50% con 30s ON e 30s OFF	
Peso	kg	9.5		10	
Classe di isolamento				F	

* 48 e 42mm con adattatore fornito

** 220mm con adattatore fornito

7) Accessori

KIO - Selettore a chiave con sblocco a fune





Motoriduttore elettromeccanico per l'automazione di serrande bilanciate

rondo

Istruzioni ed avvertenze destinate all'utilizzatore del motoriduttore RONDO

Complimenti per aver scelto per la vostra automazione un prodotto Nice!

Nice S.p.a. produce componenti per l'automazione di cancelli, porte, serrande, tapparelle e tende da sole: motoriduttori, centrali di comando, radiocomandi, lampeggianti, fotocellule e accessori.

Nice utilizza solo materiali e lavorazioni di qualità, e per vocazione ricerca soluzioni innovative che semplifichino al massimo l'utilizzo delle sue apparecchiature, curate nelle soluzioni tecniche, estetiche, ergonomiche: nella grande gamma Nice il vostro installatore avrà senz'altro scelto il prodotto più adatto alle vostre esigenze.

Nice non è però il produttore della vostra automazione, che è invece il risultato di un'opera di analisi, valutazione, scelta dei materiali, e realizzazione dell'impianto eseguita dal vostro installatore di fiducia.

Ogni automazione è unica e solo il vostro installatore possiede l'esperienza e la professionalità necessarie ad eseguire un impianto secondo le vostre esigenze, sicuro ed affidabile nel tempo, e soprattutto a regola d'arte, rispondente cioè alle normative in vigore.

Un impianto di automazione è una bella comodità, oltre che un valido sistema di sicurezza e, con poche, semplici attenzioni, è destinato a durare negli anni.

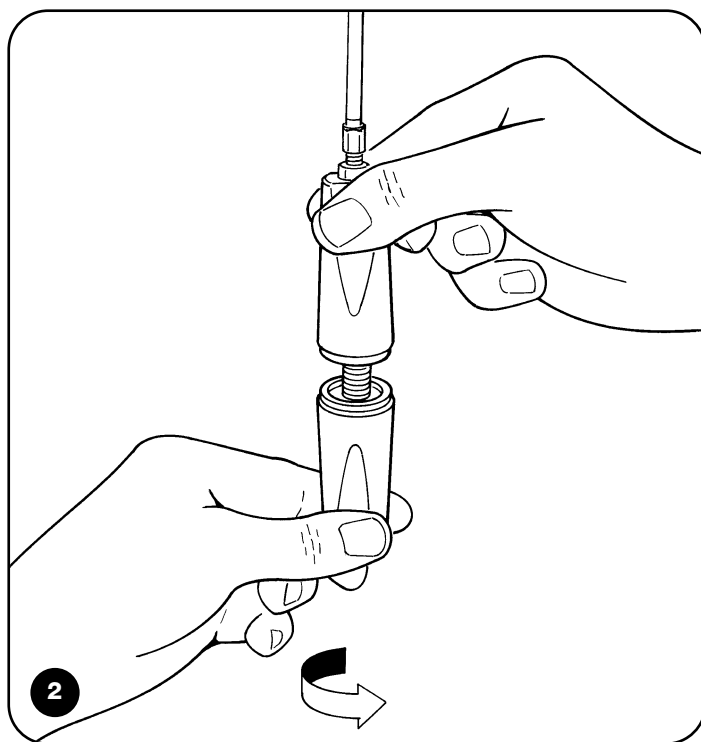
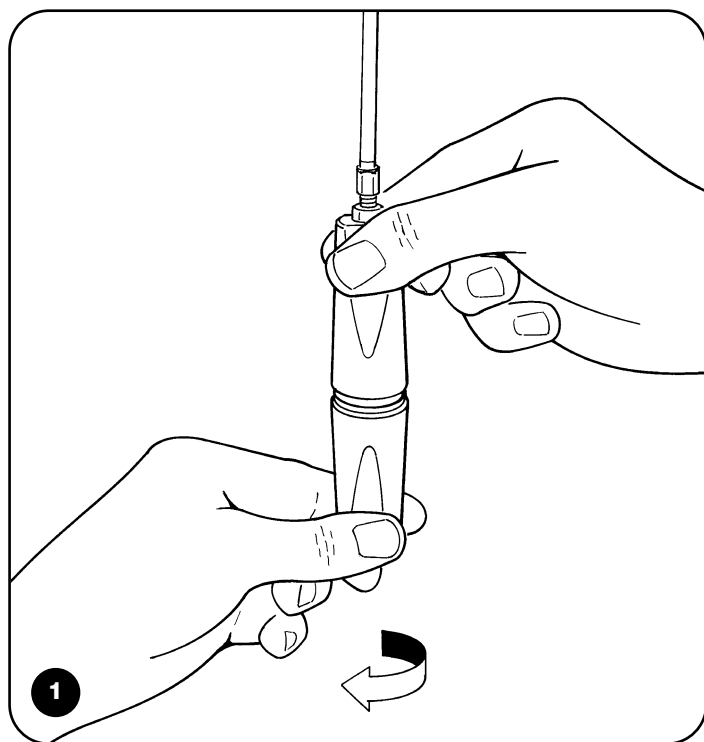
Anche se l'automazione in vostro possesso soddisfa il livello di sicurezza richiesto dalle normative, questo non esclude l'esistenza di un "rischio residuo", cioè la possibilità che si possano generare situazioni di pericolo, solitamente dovute ad un utilizzo incosciente o addirittura errato, per questo motivo desideriamo darvi alcuni consigli sui comportamenti da seguire per evitare ogni inconveniente:

- **Prima di usare per la prima volta l'automazione**, fatevi spiegare dall'installatore l'origine dei rischi residui, e dedicate qualche minuto alla lettura del manuale di **istruzioni ed avvertenze per l'utilizzatore** consegnatovi dall'installatore. Conservate il manuale per ogni dubbio futuro e consegnatelo ad un eventuale nuovo proprietario dell'automazione.
- **La vostra automazione è un macchinario che esegue fedelmente i vostri comandi**; un uso incosciente ed improprio può farlo diventare pericoloso: non comandate il movimento dell'automazione se nel suo raggio di azione si trovano persone, animali o cose.



Nice

- **Bambini:** un impianto di automazione garantisce un alto grado di sicurezza, impedendo con i suoi sistemi di rilevazione il movimento in presenza di persone o cose, e garantendo un'attivazione sempre prevedibile e sicura. È comunque prudente vietare ai bambini di giocare in prossimità dell'automazione e per evitare attivazioni involontarie non lasciare i telecomandi alla loro portata: **non è un gioco!**
- **Anomalie:** Non appena notate qualunque comportamento anomalo da parte dell'automazione, togliete alimentazione elettrica all'impianto ed eseguite lo sblocco manuale. Non tentate da soli alcuna riparazione, ma richiedete l'intervento del vostro installatore di fiducia: nel frattempo l'impianto può funzionare come un'apertura non automatizzata, una volta sbloccato il motoriduttore come descritto più avanti.
- **Manutenzione:** Come ogni macchinario la vostra automazione ha bisogno di una manutenzione periodica affinché possa funzionare più a lungo possibile ed in completa sicurezza. Concordate con il vostro installatore un piano di manutenzione con frequenza periodica; Nice consiglia un intervento ogni 6 mesi per un normale utilizzo domestico, ma questo periodo può variare in funzione dell'intensità d'uso. Qualunque intervento di controllo, manutenzione o riparazione deve essere eseguito solo da personale qualificato.
- Anche se ritenete di saperlo fare, non modificate l'impianto ed i parametri di programmazione e di regolazione dell'automazione: la responsabilità è del vostro installatore.
- Il collaudo finale, le manutenzioni periodiche e le eventuali riparazioni devono essere documentate da chi le esegue e i documenti conservati dal proprietario dell'impianto.
- **Smaltimento:** Al termine della vita dell'automazione, assicuratevi che lo smantellamento sia eseguito da personale qualificato e che i materiali vengano riciclati o smaltiti secondo le norme valide a livello locale.
- **In caso di rotture o assenza di alimentazione:** Attendendo l'intervento del vostro installatore, (o il ritorno dell'energia elettrica se l'impianto non è dotato di batterie tampone), l'impianto può essere azionato come una qualunque apertura non automatizzata. Per fare ciò è necessario eseguire lo sblocco manuale: questa operazione, che è l'unica che può essere eseguita dall'utilizzatore dell'automazione, è particolarmente curata da Nice per assicurarvi sempre la massima facilità di utilizzo, senza uso di attrezzi o necessità di sforzo fisico.2



1. Svitare in senso orario il pomello inferiore fino a sentire una certa resistenza; **(Fig. 1)**
2. Aprire o chiudere manualmente la serranda;
3. Ribloccare il motoriduttore ruotando il pomello inferiore in senso antiorario fino a portare i due pomelli a contatto tra loro. **(Fig. 2)**

Importante: se il vostro impianto è dotato di un radiocomando che dopo qualche tempo vi sembra funzionare peggio, oppure non funzionare affatto, potrebbe semplicemente dipendere dall'esaurimento della pila (a seconda del tipo, possono trascorrere da diversi mesi fino a due/tre anni). Ve ne potete accorgere dal fatto che la spia di conferma della trasmissione è fioca, non si accende affatto, oppure si accende solo per un breve istante. Prima di rivolgervi all'installatore provate a scambiare la pila con quella di un altro trasmettitore eventualmente funzionante: se questa fosse la causa dell'anomalia, sarà sufficiente sostituire la pila con altra dello stesso tipo.

Siete soddisfatti? Nel caso voleste aggiungere nella vostra casa un nuovo impianto di automazione, rivolgendovi allo stesso installatore e a Nice vi garantirete, oltre che la consulenza di uno specialista e i prodotti più evoluti del mercato, il migliore funzionamento e la massima compatibilità delle automazioni.

Vi ringraziamo per aver letto queste raccomandazioni, e vi auguriamo la massima soddisfazione dal vostro nuovo impianto: per ogni esigenza presente o futura rivolgetevi con fiducia al vostro installatore.

rondo

Table des matières:		page	page		
1	Description du produit	14	3	Manceuvre manuelle	15
2	Installation	14	4	Essai	15
2.1	Vérifications préliminaires	14	5	Maintenance	15
2.2	Installation typique	14	5.1	Élimination	15
2.3	Fixation	14	6	Caractéristiques techniques	15
			7	Accessoires	16
				Instructions et avertissements pour l'utilisateur de l'opérateur RONDO	17

Recommandations importantes

Ce manuel est destiné exclusivement au personnel technique qualifié pour l'installation. Aucune information contenue dans ce fascicule ne peut être considérée comme intéressante pour l'utilisateur final. Il est nécessaire de lire attentivement les instructions avant de procéder à l'installation, étant donné qu'elles fournissent d'importantes indications au sujet de la sécurité, de l'installation, de l'utilisation et de la maintenance.

Tout ce qui n'est pas expressément prévu dans ces instructions, est interdit. L'utilisation impropre pourrait être la cause d'endommagements et de situations dangereuses.

RONDO n'est pas approprié à l'utilisation en atmosphère potentiellement explosive

1) Description du produit

RONDO est un opérateur pour rideaux métalliques à enroulement avec compensation par ressorts. Il permet d'automatiser des rideaux métalliques d'une hauteur max. de 6m et d'un poids max. de 180kg. L'opérateur peut être monté sur des rideaux métalliques ayant un arbre porte-ressorts d'un diamètre de Ø42mm, Ø48mm et Ø60mm.

Les boîtiers porte-ressorts peuvent avoir un diamètre de 200mm / 220mm. Les deux bagues sont en aluminium moulé sous pression. Il dispose d'un fin de course à vis micrométrique et d'une mémoire mécanique de position.

2) Installation

2.1) Vérifications et opérations préliminaires

Nous rappelons que les automatismes pour rideaux métalliques doivent être installés exclusivement par du personnel technique qualifié et dans le plein respect des normes légales. En particulier, vérifier que:

- L'emballage est intact et contient toutes les pièces indiquées sur la **Fig. 1**.
- Le rideau métallique ne présente pas de points de frottement aussi bien dans la course de fermeture que d'ouverture.
- Le rideau métallique est bien équilibré, c'est à dire que, quelle que soit la position dans laquelle il s'arrête, il n'a pas tendance à redémarrer.
- Le rideau métallique, dans sa course, est silencieux et régulier.
- En référence à la **Fig. 2**, vérifier que la zone de fixation est compatible avec l'encombrement de l'opérateur.

2.2) Installation typique (Fig. 3)

- | | |
|--|---|
| 1 opérateur RONDO | 4 inverseur de commande ou logique de commande électronique |
| 2 boîte de dérivation | 5 Ligne électrique d'alimentation |
| 3 poignée de débrayage (seulement sur versions avec frein) | 6 Boîtiers porte-ressorts |

2.3) Fixation

1. Fermer complètement le rideau métallique pour que l'arbre porte-ressorts soit accessible et effectuer un trou horizontal de 11 mm de diamètre à 90mm du centre de l'arbre porte-ressorts; **Fig. 4**
2. Enlever les deux demi-bagues en dévissant les deux vis M8; **Fig. 6**
3. Enlever l'anneau de glissement; **Fig. 7**
4. Extraire la plaque dans le sens de la flèche; **Fig. 8**
5. Mesurer le diamètre de l'arbre porte-ressorts. Si celui-ci a un diamètre de 60mm, procéder à l'installation. Si l'arbre a un diamètre de 48mm ou 42mm, appliquer les adaptateurs correspondants (fournis); **Fig. 9**
6. Réintroduire la plaque enlevée au point 5, en faisant attention au sens d'assemblage et visser les quatre vis fournies; **Fig. 10**
7. Introduire l'anneau adaptateur enlevé au point 4 et le graisser légèrement à l'extérieur; **Fig. 11**
8. Visser la vis M10 en faisant attention à la faire passer à travers le trou, effectué au point 1, dans l'arbre porte-ressorts et éventuellement dans l'adaptateur. **Fig. 12**
9. Visser les deux vis M10 afin de fixer l'opérateur à l'arbre porte-ressorts. Bloquer les deux vis avec un contre-écrou; **Fig. 13**
10. Effectuer un trou sur l'arbre porte-ressorts afin de faire passer le câble d'alimentation et de débrayage (seulement sur versions avec frein); **Fig. 14**
11. Assembler la poignée de débrayage, avec tous les régulateurs visés (A), enfiler le câble et en le gardant tendu, le bloquer à l'aide de la vis de blocage (B) (seulement sur versions avec frein); **Fig. 15**
12. Effectuer la manœuvre de débrayage en dévissant la poignée inférieure dans le sens des aiguilles d'une montre. Vérifier manuellement que l'opérateur est débrayé. Éventuellement éliminer les jeux à l'aide des régulateurs; **Fig. 16**
13. Graisser légèrement les dents des bagues enlevées au point 3 et les assembler en serrant à fond les deux vis M8; **Fig. 17**
14. Mesurer le diamètre des boîtiers porte-ressorts. Si leur diamètre est de 200mm, continuer l'installation.
15. Si leur diamètre est de 220mm, utiliser un adaptateur (B); **Fig. 18**
16. Enlever le couvercle de protection des bornes. Dévisser le serre-câble. Effectuer les connexions **Fig. 19**. Visser les vis du serre-câble. Refermer le couvercle de protection des bornes.
17. Enlever avec un tournevis le verre, pour régler les fins de course; **Fig. 20**
18. Présenter la dernière section du rideau métallique sur la demi-bague et effectuer sur cette section un trou de 11 mm de diamètre au niveau du trou présent dans la demi-bague.
19. Bloquer à fond le tablier du rideau sur l'opérateur avec une rondelle et une vis M10. **Fig. 21**
20. débrayer l'opérateur (seulement sur version avec frein), et effectuer la manœuvre manuelle d'ouverture et de fermeture du rideau métallique en vérifiant son coulissement correct. Rebloquer en vissant la poignée de débrayage; **Fig. 22**
21. **RÉGLAGE FIN DE COURSE DE DESCENTE** (fermeture)
À l'aide de l'inverseur, commander l'opérateur en descente jusqu'à l'intervention du fin de course.
Dans l'installation illustrée, le fin de course de fermeture est celui qui est indiqué dans la **Fig. 23**
22. **RÉGLAGE FIN DE COURSE EN MONTÉE** (ouverture)
Tirer le clip vers l'extérieur et simultanément, tourner la molette indiquée par la flèche en tenant compte qu'1 cm de course correspond approximativement à 1 m de montée. Relâcher le clip. Alimenter l'opérateur en montée et vérifier que le rideau en montant s'arrête au point désiré. **Fig. 24**.
Continuer en effectuant plusieurs tentatives de manière à trouver la position désirée.
23. Remettre en place le verre du fin de course en faisant attention au sens de montage; **Fig. 25**
24. Si l'installation est contraire à celle illustrée, effectuer les opérations de manière inverse à la description puisque le deuxième fin de course règlera la descente et le premier la montée.

3) Manœuvre manuelle (seulement versions avec frein)

⚠ Le débrayage ne doit se faire que lorsque le rideau métallique est arrêté.

Pour débrayer l'opérateur il faut:

- 1 Dévisser dans le sens des aiguilles d'une montre la partie inférieure de la poignée jusqu'à ce qu'on sente une certaine résistance;

- 2 Ouvrir ou fermer manuellement le rideau métallique;
- 3 Rebloquer l'opérateur en effectuant l'opération inverse à celle du point 1.

4) Essai de fonctionnement

L'essai de fonctionnement est la partie la plus importante de toute la réalisation de l'installation. Chaque composant, comme par exemple le moteur, l'arrêt d'urgence, les photocellules, etc., peut demander une phase d'essai spécifique et il est donc conseillé de suivre les procédures décrites dans les manuels d'instructions respectifs. L'essai de l'installation doit être effectué par du personnel qualifié et expérimenté qui devra se charger d'établir les essais prévus en fonction du risque présent.

Pour l'essai de RONDO, effectuer la séquence d'opérations suivante:

- Contrôler que les pièces moulées sont en bon état, c'est à dire qu'elles ne présentent pas de ruptures;

- Vérifier que l'opérateur est bien fixé à l'arbre porte-ressorts;
- Contrôler que les raccords à vis sont serrés à fond;
- Vérifier que les contacts électriques sont en bon état;
- Vérifier que la bague ne présente pas de jeux axiaux excessifs;
- Vérifier le réglage des fins de course en effectuant une manœuvre complète (montée-descente);
- Vérifier que l'opérateur, bloqué à un endroit quelconque, n'amorce aucun mouvement;
- Vérifier que le débrayage libère aisément l'opérateur du rideau métallique (seulement sur versions avec frein).

5) Maintenance

La maintenance de RONDO ne nécessite pas d'opérations particulières mais un contrôle programmé tous les six mois permet de prolonger la durée de l'opérateur et garantit la sécurité du fonctionnement du système.

La maintenance consiste simplement à répéter la procédure d'essai.

5.1) Mise au rebut

En cas de démolition de l'automatisme aucune des pièces n'est dangereuse et il n'y a pas de risque dérivant de l'automatisme même. Suivre en sens inverse le chapitre "Fixation"

RONDO est constitué de plusieurs types de matériaux et leur mise au rebut doit être effectuée en respectant les normes en vigueur. Il est conseillé de séparer les matériaux par type (parties électriques, aluminium, plastique, etc.).

6) Caractéristiques techniques

RN2010 - RN2020 - RN2020/V1H6

Opérateur réversible sans frein

RN2030 - RN2040 - RN2040/V1H6

Opérateur réversible avec frein et dispositif de débrayage

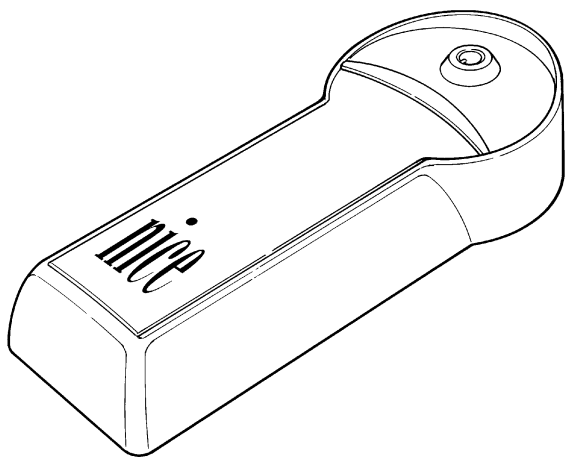
		RN2010 RN2030	RN2020 RN2040	RN2020/V1H6 RN2040/V1H6
Alimentation / fréquence	Vac/Hz	230/50		120/60
Courant absorbé	A	2	2.6	4.8
Puissance absorbée	W	450	600	580
Couple max.	Nm	130	180	
Force max. de soulèvement avec Ø 200 mm	kg	130	180	
Vitesse nominale	Rpm	8.5		10
Couple nominal	Nm	75	100	
Diamètre standard arbre rideau métallique	mm	60*		
Diamètre brides volets roulants	mm	200*		
Vitesse rotation couronne (à vide)	Rpm	10	12	
Température ambiante de fonctionnement	°C	-20 ÷ +50		
Indice de protection	IP	20		
Protection thermique	°C	140		
Temps de fonctionnement continu	Minutes	4		
Cycle de travail max.		Secondes 50% avec 30s ON et 30s OFF		
Poids	kg	9.5	10	
Classe d'isolation		F		

* 48 et 42mm avec adaptateur fourni

** 220mm avec adaptateur fourni

7) Accessoires

KIO - Sélecteur à clé avec débrayage par câble



**F**

Opérateur électromécanique pour l'automatisation de rideaux métalliques équilibrés

rondo

Instructions et avertissements pour l'utilisateur de l'opérateur RONDO

Félicitations pour avoir choisi un produit Nice pour votre automatisation!

Nice S.p.a. produit des composants pour l'automatisme de portails, portes, rideaux métalliques, volets roulants et stores: opérateurs, armoires de commande, radiocommandes, clignotants, photocellules et accessoires. Nice n'utilise que des matériaux et des usinages de qualité et par vocation, elle recherche des solutions innovantes qui simplifient au maximum l'utilisation de ses appareils, très soignés sur le plan de la technique, de l'esthétique et de l'ergonomie: dans la vaste gamme Nice, votre installateur aura choisi sans aucun doute le produit le plus adapté à vos exigences.

Nice n'est toutefois pas le producteur de votre automatisme qui est en effet le résultat d'un travail d'analyse, évaluation, choix des matériaux et réalisation de l'installation, exécuté par votre installateur de confiance. Chaque automatisme est unique et seul votre installateur possède l'expérience et la compétence professionnelle nécessaires pour réaliser une installation répondant à vos exigences, sûre et fiable dans le temps et surtout, exécutée dans les règles de l'art et conforme par conséquent aux normes en vigueur.

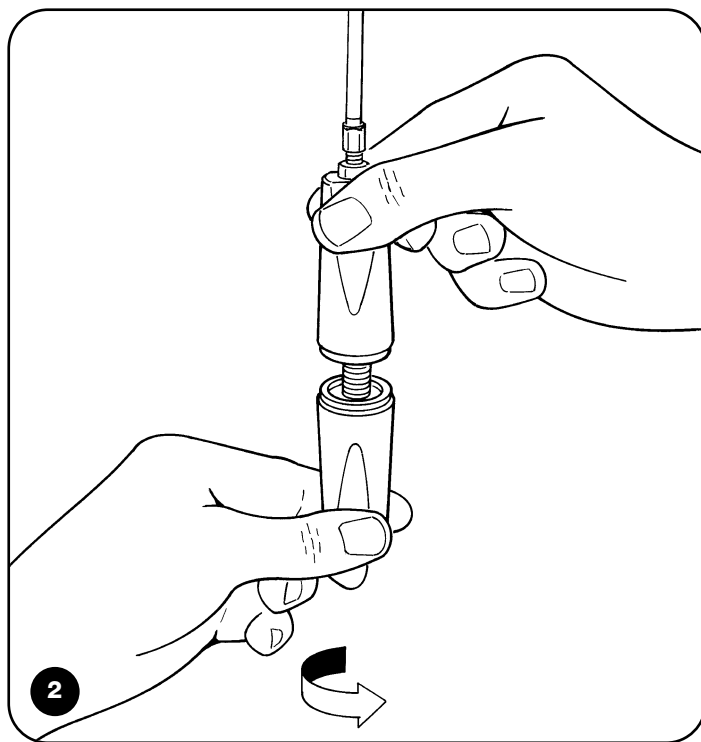
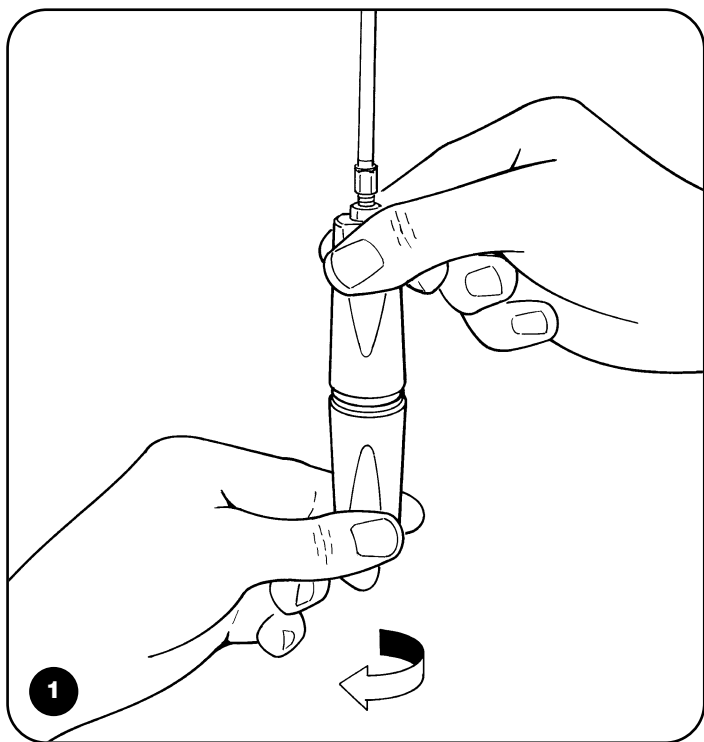
Une installation d'automatisme est une belle commodité ainsi qu'un système de sécurité valable; avec quelques attentions très simples, elle est destinée à durer dans le temps.

Même si l'automatisme en votre possession satisfait le niveau de sécurité requis par les normes, cela n'exclut pas la persistance d'un "risque résiduel", c'est-à-dire la possibilité de situations de danger dues généralement à une utilisation inconsciente, voire erronée. C'est la raison pour laquelle nous désirons vous donner quelques conseils sur les comportements à adopter pour éviter tout inconvénient:

- **Avant d'utiliser pour la première fois l'automatisme**, faites-vous expliquer par l'installateur l'origine des risques résiduels et consacrez quelques minutes à la lecture du **manuel d'instructions et d'avertissements pour l'utilisateur** qui vous est remis par l'installateur. Conservez le manuel pour pouvoir le consulter pour n'importe quel doute futur et remettez-le à tout nouveau propriétaire de l'automatisme.
- **Votre automatisme est un équipement qui exécute fidèlement vos commandes**; une utilisation inconsciente et incorrecte peut le rendre dangereux: ne commandez pas le mouvement de l'automatisme si des personnes, des animaux ou des objets se trouvent dans son rayon d'action.

**Nice**

- **Enfants:** une installation d'automatisation garantit un degré de sécurité élevé en empêchant avec ses systèmes de détection le mouvement en présence de personnes ou d'objets et en garantissant une activation toujours prévisible et sûre. Il est prudent toutefois d'éviter de laisser jouer les enfants à proximité de l'automatisme et pour éviter les activations involontaires, de ne pas laisser à leur portée les émetteurs qui commandent la manœuvre: **ce n'est pas un jeu!**
- **Anomalies:** si vous notez une anomalie quelconque dans le fonctionnement de l'automatisme, coupez l'alimentation électrique de l'installation et procédez au débrayage manuel. Ne tentez jamais de le réparer vous-même mais demandez l'intervention de votre installateur de confiance: dans l'intervalle, l'installation peut fonctionner comme un système non automatisé, après avoir débrayé l'opérateur suivant les indications données plus loin.
- **Maintenance:** comme toutes les machines, votre automatisme a besoin d'une maintenance périodique pour pouvoir fonctionner le plus longtemps possible et en toute sécurité. Établissez avec votre installateur un plan de maintenance périodique programmée; Nice conseille une intervention tous les 6 mois pour une utilisation domestique normale mais celle période peut varier en fonction de l'intensité d'utilisation. Toute intervention de contrôle, maintenance ou réparation doit être exécutée exclusivement par du personnel qualifié.
- Même si vous estimez en être capable, ne modifiez pas l'installation et les paramètres de programmation et de réglage de l'automatisme : la responsabilité en incombe à votre installateur.
- L'essai de fonctionnement final, les maintenances périodiques et les éventuelles réparations doivent être documentés par la personne qui s'en charge et les documents doivent être conservés par le propriétaire de l'installation.
- **Mise au rebut.** À la fin de la vie de l'automatisme, assurez-vous que le démantèlement est effectué par du personnel qualifié et que les matériaux sont recyclés ou mis au rebut en respectant les normes locales en vigueur.
- **En cas de ruptures ou absence d'alimentation électrique.** En attendant l'intervention de votre installateur (ou le retour du courant si l'installation est dépourvue de batterie tampon), l'installation peut être actionnée comme n'importe quel autre système non automatisé. Pour cela, il faut effectuer le débrayage manuel : cette opération, qui est la seule pouvant être effectuée par l'utilisateur de l'automatisme, a fait l'objet d'une étude particulière de la part de Nice pour vous assurer toujours une utilisation extrêmement simple et aisée, sans aucun outil ou effort physique.



1. Dévisser dans le sens des aiguilles d'une montre, la poignée du bas, jusqu'à sentir une certaine résistance; (**Fig. 1**)
2. Ouvrir ou fermer manuellement le rideau métallique;
3. Rebloquer l'opérateur en tournant la poignée du bas dans le sens contraire aux aiguilles d'une montre jusqu'à ce que les deux poignées soient en contact entre elles (**Fig. 2**)

Importante: si votre installation est munie d'une radiocommande qui au bout d'une certaine période présente des problèmes de fonctionnement ou ne fonctionne plus du tout, cela pourrait dépendre tout simplement du fait que la pile est usagée (suivant le type de pile, il peut s'écouler plusieurs mois jusqu'à deux ou trois ans). Vous pouvez vérifier cet état de chose si le voyant de confirmation de la transmission est faible, s'il ne s'allume plus du tout ou s'il ne s'allume qu'un bref instant. Avant de vous adresser à l'installateur, essayez de remplacer la pile en utilisant celle d'un autre émetteur qui fonctionne encore: si cette intervention remédie au problème, il vous suffit de remplacer la pile usagée par une neuve du même type.

Êtes-vous satisfait? Si vous désirez équiper votre maison d'un nouvel automatisme, adressez-vous au même installateur et à Nice. Vous serez sûr de bénéficier ainsi, en plus du conseil d'un spécialiste et des produits les plus évolués du marché, également du meilleur fonctionnement et de la compatibilité parfaite des différents automatismes installés.

Nous vous remercions d'avoir lu ces recommandations et nous espérons que votre nouvelle installation vous donnera entière satisfaction: pour tout besoin présent ou futur, adressez-vous en toute confiance à votre installateur.

rondo

Inhaltsverzeichnis

	S.		S.		
1	Beschreibung des Produkts	20	3	Handbedienung	21
2	Installation	20	4	Endprüfung	21
2.1	Vorprüfungen	20	5	Wartung	21
2.2	Typische Anlage	20	5.1	Entsorgung	21
2.3	Befestigung	20	6	Technische Merkmale	21
			7	Zubehör	22
				Anweisungen und Hinweise für den Benutzer des Getriebemotors RONDO	23

Hinweise

Die vorliegende Anleitung ist nur für technisches Personal bestimmt, das für die Installation qualifiziert ist. Keine im vorliegenden Heft enthaltene Information kann als interessant für den Endbenutzer betrachtet werden. Die Anweisungen vor der Installation genau lesen, da sie wichtige Hinweise liefern, was Sicherheit, Installation, Bedienung und Wartung betrifft.

Alles nicht ausdrücklich in diesen Anweisungen vorgesehene ist unzulässig. Ein unsachgemäßer Gebrauch könnte Schäden und Gefahren verursachen.

RONDO ist für den Gebrauch in potentieller EX-Atmosphäre ungeeignet.

1) Beschreibung des Produkts

RONDO ist ein Getriebemotor für Rollläden mit Ausgleich durch Federn. Mit RONDO können Rollläden mit einer Höhe von max. 6m und einem Gewicht bis zu 180 kg automatisiert werden. Der Getriebemotor kann an Rollläden mit einem Wellendurchmesser des Federträgers von Ø42mm, Ø48mm und Ø60mm montiert werden.

Das Federträgergehäuse kann einen Durchmesser von 200mm / 220mm haben. Die beiden Nutmutter sind aus Aludruckguss. Der Getriebemotor verfügt über einen Endschalter mit mikrometrischer Schraube und mechanischem Stellungsgeber.

2) Installation

2.1) Vorprüfungen

Wir erinnern daran, dass Automatisierungsanlagen von Rollläden nur von Fachpersonal und unter genauester Einhaltung der Gesetzesverordnungen installiert werden dürfen. Insbesondere ist folgendes zu überprüfen:

- Die Verpackung muss unbeschädigt sein und alle in **Abb. 1** gezeigten Teile enthalten.
- Der Rollladen darf in Öffnung sowie in Schließung keine Stellen mit größerer Reibung aufweisen.

- Der Rollladen muss gut im Gleichgewicht sein, d.h. dass er sich nicht bewegen darf, wenn er in beliebiger Stellung angehalten wird.
- Der Rollladen muss sich leise und regelmäßig bewegen.
- Unter Bezugnahme auf **Abb. 2** ist zu prüfen, ob der Befestigungsbereich für den Platzbedarf des Getriebemotors geeignet ist.

2.2) Typische anlage (Abb. 3)

- | | | | |
|---|---|---|---|
| 1 | Getriebemotor RONDO | 4 | Umschalter oder elektronische Steuerung |
| 2 | Abzweigkasten | 5 | Elektrische Versorgungslinie |
| 3 | Entriegelungsknauf (nur Modelle mit Bremse) | 6 | Federträgergehäuse |

2.3) Befestigung

1. Den Rollladen ganz schließen, so dass die Federträgerwelle zugänglich wird, dann 90mm von der Mitte der Federträgerwelle entfernt eine horizontale 11mm große Bohrung durchführen; **Abb. 4**
2. Die beiden Halbnutmutter entfernen, indem die beiden M8 Schrauben abgeschraubt werden; **Abb. 6**
3. Den Gleitring entfernen - siehe **Abb. 7**
4. Die Platte in Pfeilrichtung herausziehen; **Abb. 8**
5. Den Durchmesser der Federträgerwelle messen. Mit der Installation weitermachen, falls ihr Durchmesser 60mm beträgt. Ist der Durchmesser dagegen 48 oder 42mm, müssen die jeweiligen Adapter (mitgeliefert) angebracht werden; **Abb. 9**
6. Die in Punkt 5 entfernte Platte wieder einbauen, dabei die Montagerichtung beachten, dann die vier mitgelieferten Schrauben anschrauben; **Abb. 10**
7. Den in Punkt 4 entfernten Adapterring wieder einfügen und diesen außen leicht einfetten; **Abb. 11**
8. Die M10 Schraube durch die in Punkt 1 ausgeführte Bohrung, die Federträgerwelle und ggf. den Adapter führen und anschrauben; **Abb. 12**
9. Die beiden M10 Schrauben anschrauben, so dass der Getriebemotor an der Federträgerwelle befestigt ist. Die beiden Schrauben mit einer Mutter blockieren; **Abb. 13**
10. Eine Bohrung an der Federträgerwelle für das Versorgungskabel und die Entriegelung ausführen (nur Modelle mit Bremse); **Abb. 14**
11. Den Entriegelungsknauf mit allen angeschraubten Reglern (A) montieren, das Kabel einführen und gespannt halten, dann mit der Klemme (B) blockieren (nur Modelle mit Bremse); **Abb. 15**
12. Eine Entriegelung ausführen und den unteren Knauf im Uhrzeigersinn losschrauben. Von Hand prüfen, ob der Getriebemotor entriegelt ist. Ggf. die Regler zur Beseitigung der Spiele betätigen; **Abb. 16**
13. Die Zahnung der in Punkt 3 entfernten Nutmutter leicht einfetten und diese zusammenbauen, dabei die beiden M8 Schrauben fest anziehen; **Abb. 17**
14. Den Durchmesser der Federträgergehäuse messen. Mit der Installation weitermachen, falls sie einen Durchmesser von 200mm haben.
15. Sollte ihr Durchmesser dagegen 220mm sein, den dazu vorgesehenen Adapter (B) anbringen; **Abb. 18**
16. Den Klemmschutzdeckel entfernen. Den Kabelhalter abschrauben. Die Anschlüsse ausführen; **Abb. 19**. Die Kabelhalterschrauben wieder anschrauben. Den Klemmschutzdeckel wieder anbringen.
17. Das Glas zur Einstellung der Endschalter mit einem Schraubenzieher entfernen; **Abb. 20**
18. Die letzte Bahn des Rollladens zur Halbnutmutter bringen und an dieser eine Bohrung mit 11mm Durchmesser ausführen, die mit der Bohrung an der Halbnutmutter zusammentreffen muss;
19. Die Bahn des Rollladens mit der Unterlegscheibe und der Schraube M10 gut am Getriebemotor blockieren. **Abb. 21**.
20. Den Getriebemotor entriegeln (nur Modelle mit Bremse) und den Rollladen von Hand öffnen und schließen und prüfen, ob er einwandfrei gleitet. Den Entriegelungsknauf anschrauben und wieder verriegeln; **Abb. 22**
21. **EINSTELLUNG DES ENDSCHALTERS IN ABSTIEG** (Schließung) Den Getriebemotor mit dem Umschalter in Abstieg steuern, bis der Endschalter ausgelöst wird. Für die geschilderte Installation ist der Endschalter in Abstieg der auf **Abb. 23** gezeigte.
22. **EINSTELLUNG DES ENDSCHALTERS IN ANSTIEG** (Öffnung) Die Klammer nach außen ziehen und das vom Pfeil angegebene Rad gleichzeitig drehen, dabei berücksichtigen, dass ca. 1 cm seines Laufs 1 m Anstieg entspricht. Den Getriebemotor in Anstieg speisen und prüfen, ob der Rollladen bei seinem Anstieg an der gewünschten Stelle anhält. **Abb. 24**. Mehrmals Versuche ausführen, bis die gewünschte Stellung festgelegt ist.
23. Das Endschalterglas in der korrekten Montagerichtung wieder einfügen; **Abb. 25**
24. Falls die Installation umgekehrt zur geschilderten ist, auf umgekehrte Weise vorgehen, da der zweite Endschalter für den Abstieg zuständig sein wird, und der erste für den Anstieg.

3) Handbedienung (nur Modelle mit Bremse)

⚠ Die Entriegelung darf ausschließlich bei stehendem Rollladen ausgeführt werden.

Entriegelung des Getriebemotors:

- 1 Den unteren Knaufteil im Uhrzeigersinn losschrauben, bis man einen gewissen Widerstand spürt;
- 2 Den Rollladen von Hand öffnen oder schließen;
- 3 Den Vorgang in Punkt 1 umgekehrt ausführen und den Getriebemotor dadurch verriegeln.

4) Endprüfung

Die Endprüfung ist das Wichtigste bei der Durchführung der Automatisierung. Für jedes einzelne Teil wie z.B. Getriebemotor, Notstopvorrichtung, Photozellen usw. kann eine spezielle Prüfung erforderlich sein. Daher wird empfohlen, nach den Verfahren in den jeweiligen Anleitungen vorzugehen. Die Endprüfung der gesamten Automatisierung muss von erfahrenem Fachpersonal mit Tests ausgeführt werden, die dem vorhandenen Risiko entsprechen müssen. Für die Endprüfung von RONDO, der Reihe nach folgende Vorgänge ausführen:

- Prüfen, ob die Teile aus Aludruckguss in einwandfreiem Zustand sind und keine Bruchstellen aufweisen;
- Prüfen, ob der Getriebemotor gut an der Federträgerwelle befestigt ist;
- Prüfen, ob die Verschraubungen fest angezogen sind;
- Prüfen, ob die elektrischen Kontakte in gutem Zustand sind;
- Prüfen, ob die Nutmutter keine zu starken Längsspiele aufweist;
- Die Endschaltereinstellung anhand einer vollständigen Bewegung (An- und Abstieg) überprüfen;
- Prüfen, ob der an beliebiger Stelle blockierte Getriebemotor keine Bewegung verursacht;
- Prüfen, ob der Getriebemotor durch die Entriegelung einwandfrei vom Rollladen getrennt ist (nur Modelle mit Bremse)

5) Wartung

Für die Wartung von RONDO sind keine besonderen Maßnahmen erforderlich. Eine programmierte Wartung alle sechs Monate wird dem Getriebemotor eine längere Dauer und dem System die Betriebssicherheit gewährleisten.

Die Wartung besteht einfach aus einer Wiederholung der Endprüfungen.

5.1) Entsorgung

Im Falle einer Verschrottung der Automatisierung gibt es keine gefährlichen Einzelteile oder Risiken aufgrund der Automatisierung selbst. Die Anweisungen in Kapitel "Befestigung" umgekehrt ausführen.

RONDO besteht aus verschiedenen Werkstoffen, die nach den gültigen Vorschriften zu entsorgen sind. Die Werkstoffe sollten nach ihrer Art getrennt werden (elektrische Teile, Aluminium, Kunststoff, usw.).

6) Technische merkmale

RN2010 - RN2020 - RN2020/V1H6

Selbsthemmender Getriebemotor ohne Bremse

RN2030 - RN2040 - RN2040/V1H6

Nicht selbsthemmender Getriebemotor mit Bremse und Entriegelung

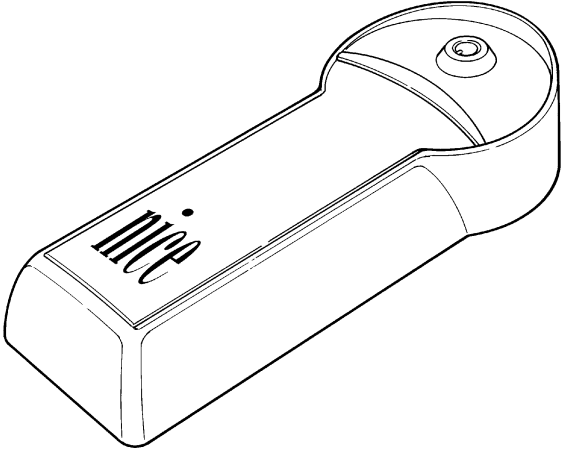
		RN2010 RN2030	RN2020 RN2040	RN2020/V1H6 RN2040/V1H6
Versorgung / Frequenz	Vac/Hz	230/50		120/60
Stromaufnahme	A	2	2.6	4.8
Leistungsaufnahme	W	450	600	580
Max.Drehmoment	Nm	130	180	
Max. Hubkraft mit Ø 200mm	kg	130	180	
Nenn Drehzahl	Rpm	8.5		10
Nenn Drehmoment	Nm	75	100	
Standarddurchmesser der Rollladenwelle	mm	60*		
Durchmesser der Aufrollflansche	mm	200*		
Kranzdrehzahl (ohne Last)	Rpm	10	12	
Umgebungs- und Betriebstemperatur	°C	-20 ÷ +50		
Schutzart	IP	20		
Wärmeschutz	°C	140		
Dauerbetriebszeit	Minuten	4		
Max. Arbeitszyklus	Sec	50% mit 30s ON und 30s OFF		
Gewicht	kg	9.5	10	
Isolationsklasse		F		

* 48 und 42mm mit mitgeliefertem Adapter

** 220mm mit mitgeliefertem Adapter

7) Zubehör

KIO - Schlüsseltaster mit Schnurriegelung





Elektromechanischer Getriebemotor für die Automatisierung ausgewuchteter Rollläden



rondo

Anweisungen und hinweise für den benutzer des Getriebemotors RONDO

Complimenti per aver scelto per la vostra automazione un prodotto Nice!

Nice S.p.a. stellt Bestandteile für die Automatisierung von Türen und Toren, Rollläden, Jalousien und Markisen her, wie Getriebemotoren, Steuerungen, Funksteuerungen, Blinkleuchten, Photozellen und Zubehör. Nice verwendet ausschließlich Werkstoffe und Verarbeitungen hochstehender Qualität und ist aufgrund der Nice Betriebsphilosophie immer auf der Suche nach innovativen Lösungen, um die Verwendung der Nice Apparaturen, vom technischen, ästhetischen und ergonomischen Standpunkt her besonders gepflegt, zu erleichtern: Ihr Installateur wird bestimmt das richtige Produkt in der großen Nice Palette für Sie ausgewählt haben.

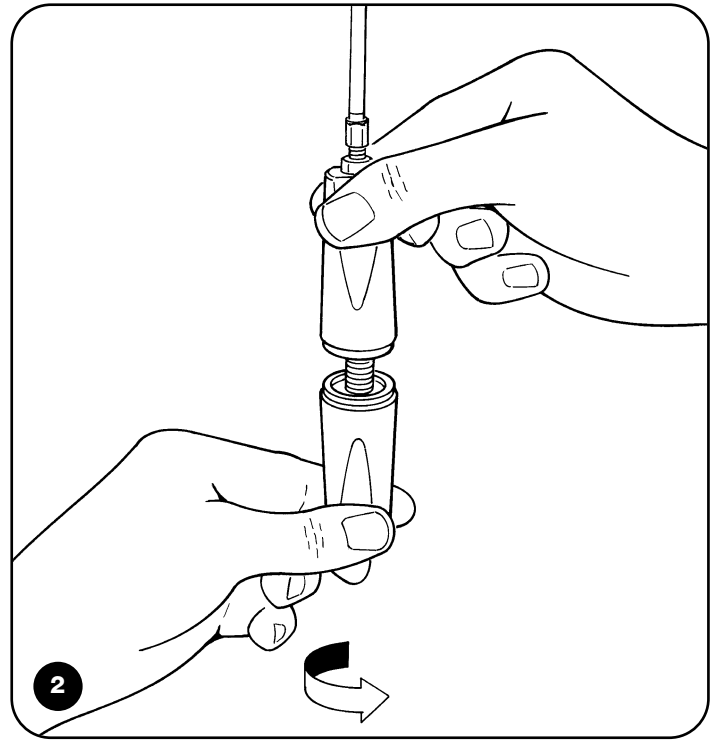
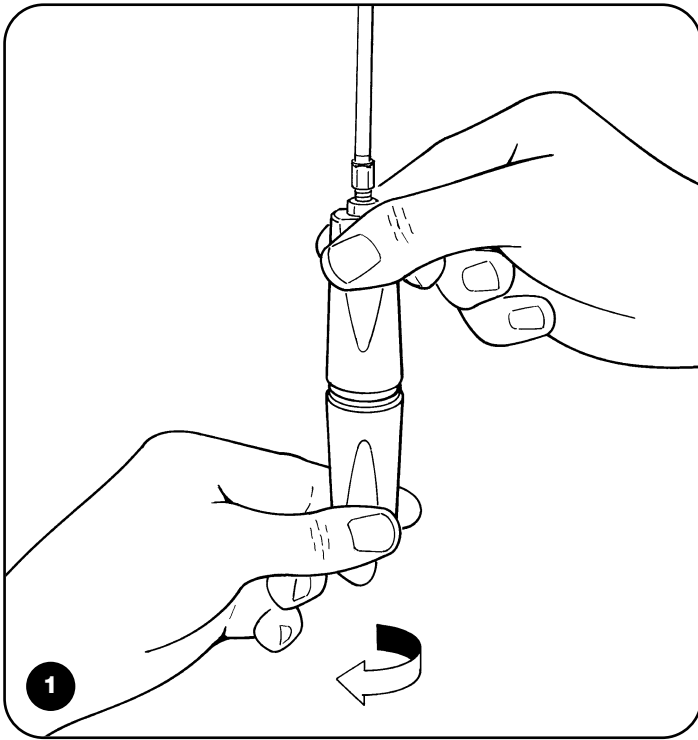
Nice ist jedoch nicht der Hersteller Ihrer Automatisierung, die das Ergebnis von Analysen, Bewertungen, Auswahl der Materialien und der Durchführung der Anlage durch Ihren Vertrauensinstallateur ist. Jede Automatisierung ist einzigartig, und nur Ihr Installateur besitzt die Erfahrung und Professionalität, die notwendig sind, um eine Anlage nach Ihrem Bedarf auszuführen, die sicher und dauerhaft zuverlässig und vor allem fachgerecht ist bzw. den gültigen Vorschriften entspricht.

Eine Automatisierungsanlage ist etwas sehr bequemes, aber auch ein wertvolles Sicherheitssystem und dauert mit nur wenigen Eingriffen bestimmt jahrelang. Auch wenn Ihre Automatisierung den von den Vorschriften geforderten Sicherheitsniveaus entspricht, schließt dies das Vorhandensein von "Restrisiken" nicht aus, womit die Möglichkeit gemeint ist, dass gewöhnlich aufgrund eines verantwortungslosen oder falschen Gebrauchs Gefahren erzeugt werden können; wir möchten Ihnen deshalb ein paar Ratschläge geben, wie Sie sich verhalten sollten, um allen Unannehmlichkeiten aus dem Weg zu gehen:

- **Bevor Sie die Automatisierung zum ersten Mal verwenden, lassen** Sie sich von Ihrem Installateur erklären, wie Restrisiken entstehen können, und widmen Sie dem Lesen der **Anweisungen und Hinweise für den Benutzer**, die Ihnen Ihr Installateur aushändigen wird, ein paar Minuten. Bewahren Sie die Anleitung für zukünftige Zweifelsfälle auf und übergeben Sie diese ggf. einem neuen Besitzer der Automatisierung.
- **Ihre Automatisierung ist eine Maschine, die Ihre Befehle getreu durchführt;** ein verantwortungsloser und unsachgemäßer Gebrauch kann gefährlich werden: verursachen Sie keine Bewegung der Automatisierung, wenn sich Personen, Tiere oder Gegenstände in ihrem Aktionskreis befinden.



- **Kinder:** eine Automatisierungsanlage gewährleistet einen hohen Sicherheitsgrad und verhindert mit ihren Schutzsystemen, dass sie sich bei Anwesenheit von Personen und Gegenständen bewegt, und gewährleistet eine immer vorhersehbare und sichere Aktivierung. Als Vorsichtsmaßnahme sollte man aber Kindern verbieten, in der Nähe der Automatisierung zu spielen, und man sollte die Fernbedienungen nicht in der Reichweite von Kindern lassen: **es handelt sich nicht um ein Spiel!**
- **Störungen.** Schalten Sie die Stromversorgung zur Anlage ab, sobald Sie ein ungewöhnliches Verhalten der Automatisierung bemerken, und führen Sie die manuelle Entriegelung aus. Versuchen Sie nie, selbst Reparaturen auszuführen, sondern fordern Sie den Eingriff Ihres Vertrauensinstallateurs an: in der Zwischenzeit, nachdem Sie den Getriebemotor wie weiter vorne beschrieben entriegelt haben, kann die Anlage wie eine nicht automatisierte Vorrichtung funktionieren.
- **Wartung.** Wie jede Maschine benötigt auch Ihre Automatisierung eine regelmäßige Wartung, damit sie so lange wie möglich und in voller Sicherheit funktionieren kann. Vereinbaren Sie mit Ihrem Installateur einen programmierten Wartungsplan. Nice empfiehlt eine programmierte Wartung alle sechs Monate bei Normalgebrauch für den Haushalt, dieser Zeitraum kann aber je nachdem, wie häufig die Anlage benutzt wird, unterschiedlich sein. Arbeiten wie Wartung, Kontrollen und Reparaturen dürfen nur von Fachpersonal ausgeführt werden.
- Auch wenn Sie meinen, dass Sie wissen, wie das gemacht wird, ändern Sie die Anlage und die programmierten Parameter sowie die Einstellungen der Automatisierung nicht: diese Verantwortung steht Ihrem Installateur zu.
- Die Endprüfung, die periodischen Wartungen und eventuelle Reparaturen müssen von dem, der diese Arbeiten ausführt, belegt sein, und diese Belege müssen vom Besitzer der Anlage aufbewahrt werden.
- **Entsorgung.** Versichern Sie sich, dass die Entsorgung am Ende der Lebensdauer Ihrer Automatisierung von Fachpersonal gemacht wird und dass die Materialien nach den örtlich gültigen Vorschriften recycled oder entsorgt werden.
- **Im Falle von Defekten oder bei Stromausfall.** Warten Sie auf Ihren Installateur (oder bis der Strom wieder vorhanden ist, falls Ihre Anlage keine Pufferbatterie hat); die Anlage kann wie eine beliebige nicht automatisierte Öffnungsvorrichtung betätigt werden. Dazu muss die manuelle Entriegelung ausgeführt werden. Dieser Vorgang, der einzige, den der Benutzer der Automatisierung ausführen kann, wurde mit besonderer Aufmerksamkeit von Nice behandelt, damit Sie diese Vorrichtung immer mit größter Einfachheit, ohne Werkzeug und ohne körperliche Anstrengungen betätigen können.



1. Den unteren Knaufteil im Uhrzeigersinn losschrauben, bis man einen gewissen Widerstand spürt; (**Abb. 1**)
2. Den Rollladen von Hand öffnen oder schließen;
3. Den Getriebemotor wieder blockieren, indem der untere Knaufteil gegen den Uhrzeigersinn gedreht wird, bis sich die beiden Knaufteile berühren; (**Abb. 2**)

Wichtig: falls Ihre Anlage mit Funksteuerung ausgestattet ist, die nach einiger Zeit anscheinend schlechter oder gar nicht funktioniert, so könnte das ganz einfach von der leeren Batterie abhängen (je nach Batterie kann das nach mehreren Monaten bis zu zwei-drei Jahre geschehen). Sie können das an dem Leuchtmelder bemerken, der die Sendung bestätigt, der nur schwach oder gar nicht oder nur ganz kurz leuchtet. Bevor Sie sich an den Installateur wechseln, versuchen Sie, die Batterie mit der eines anderen, funktionierenden Senders auszuwechseln: sollte das die Ursache sein, genügt es, die alte Batterie mit einer anderen gleichen Typs auszuwechseln.

Sind Sie zufrieden? Wenn Sie eine neue Automatisierung für Ihr Haus wollen und sich an denselben Installateur und an Nice wenden, werden Sie sich die Beratung eines Fachmanns und die fortgeschrittensten Produkte auf dem Markt, aber auch den besten Betrieb und die größte Verträglichkeit zwischen den Automatisierungen zusichern.

Wir danken Ihnen, dass Sie diese Ratschläge gelesen haben, und wünschen Ihnen größte Zufriedenheit mit Ihrer neuen Anlage: wenden Sie sich für gegenwärtige oder zukünftige Bedarfsfälle vertrauensvoll an Ihren Installateur.

rondo

Índice:	pág.		pág.		
1	Descripción del producto	26	3	Maniobra manual	27
2	Instalación	26	4	Ensayo	27
2.1	Controles preliminares	26	5	Mantenimiento	27
2.2	Instalación típica	26	5.1	Desguace	27
2.3	Fijación	26	6	Características técnicas	27
			7	Accesorios	28
				Instrucciones y advertencias destinadas al usuario del motorreductor RONDO	29

Advertencias

Este manual está destinado sólo al personal técnico cualificado para la instalación. Ninguna información contenida en este manual puede ser considerada de interés para el usuario final. Es necesario leer con atención las instrucciones antes de comenzar con la instalación, porque estas ofrecen indicaciones importantes acerca de la seguridad, instalación, uso y mantenimiento.

Está prohibido todo aquello que no esté expresamente previsto en estas instrucciones. El empleo inadecuado puede ser causa de averías y situaciones peligrosas.

RONDO no es adecuado para su uso en atmósfera con riesgo de explosión.

1) Descripción del producto

RONDO es un motorreductor para cierres enrollables compensados con muelles. Permite automatizar cierres con altura máx. de 6m y de hasta 180kg de peso. El motorreductor puede montarse en cierres enrollables con diámetro del eje portamuelles desde Ø42mm,

Ø48mm y Ø60mm. Las cajas portamuelles pueden tener un diámetro de 200mm / 220mm. Las dos poleas son de aluminio fundido a presión. Dispone de fin de carrera de tornillo micrométrico y memoria mecánica de posición.

2) Instalación

2.1) Controles preliminares

Recordamos que los sistemas de cierres enrollables automáticos deben ser instalados por personal experto respetando las normas de vigentes. Controle que:

- El embalaje esté íntegro y que contenga todos los componentes indicados en la **Fig. 1**.
- El cierre enrollable no presente puntos de mayor fricción, tanto durante la carrera de cierre como en aquella de apertura.

- El cierre enrollable esté compensado correctamente, es decir que al detenerlo en cualquier posición no tienda a moverse.
- La carrera del cierre sea silenciosa y regular.
- Observando la **Fig. 2** controle que la zona de fijación sea compatible con el tamaño del motorreductor.

2.2) Instalación típica (Fig. 3)

- | | |
|---|--|
| 1 motorreductor RONDO | 4 inversor de mando o central electrónica |
| 2 caja de derivación | 5 Línea eléctrica de alimentación |
| 3 pomo de desbloqueo (sólo en las versiones con freno) | 6 Cajas portamuelles |

2.3) Fijación

1. Cierre completamente el cierre enrollable para poder acceder al eje portamuelles y haga un taladro horizontal de 11 mm de diámetro a 90mm del centro del eje portamuelles; **Fig. 4**
2. Quite las dos semipoleas desenroscando los dos tornillos M8; **Fig. 6**
3. Quite el anillo de deslizamiento; **Fig. 7**
4. Extraiga la placa en la dirección de la flecha; **Fig. 8**
5. Mida el diámetro del eje portamuelles. Si éste tiene un diámetro igual a 60mm, proceda con la instalación. Si el eje tiene un diámetro igual a 48mm o 42mm, aplique los adaptadores correspondientes (de serie); **Fig. 9**
6. Vuelva a instalar la placa que quitara en el punto 5, observando la dirección de ensamblaje y enrosque los cuatro tornillos entregados de serie; **Fig. 10**
7. Introduzca el anillo adaptador que desmontara en el punto 4 y engrase ligeramente su parte exterior; **Fig. 11**
8. Enrosque en el eje portamuelles y en el adaptador el tornillo M10, haciéndolo pasar por el taladro hecho en el punto 1; **Fig. 12**.
9. Enrosque los dos tornillos M10 fijando el motorreductor al eje portamuelles. Bloquee los dos tornillos con las contratueras, **Fig. 13**.
10. Realice un taladro en el eje portamuelles para poder pasar el cable de alimentación y de desbloqueo (sólo en las versiones con freno); **Fig. 14**
11. Ensamble el pomo de desbloqueo con todos los reguladores enroscados (A), pase el cable y manténgalo tenso, bloquéelo con la mordaza (B) (sólo en las versiones con freno); **Fig. 15**
12. Realice la maniobra de desbloqueo desenroscando hacia la derecha el pomo inferior. Controle manualmente que el motorreductor esté desbloqueado. De ser necesario, use los reguladores para eliminar los juegos; **Fig. 16**
13. Engrase ligeramente los dientes de las poleas que se desmontaran en el punto 3 y ensámblelas apretando hasta el fondo los dos tornillos M8; **Fig. 17**
14. Mida el diámetro de las cajas portamuelles. Si tuvieran un diámetro de 200mm, siga con la instalación.
15. En caso contrario, si fuera de 220mm, utilice el adaptador específico (B); **Fig. 18**
16. Quite la tapa que protege los bornes. Desenrosque la mordaza para cable. Realice las conexiones; **Fig. 19**. Enrosque los tornillos de la mordaza para cable. Cierre la tapa que protege los bornes.
17. Quite con un destornillador la tapa para la regulación de los fines de carrera; **Fig. 20**
18. Coloque el último perfil del cierre enrollable sobre la semipolea y realice sobre el mismo un taladro de 11 mm de diámetro en correspondencia del agujero roscado situado en la semipolea;
19. Bloquee el perfil del cierre enrollable al motorreductor hasta el fondo con la arandela y el tornillo M10; **Fig. 21**.
20. Desbloquee el motorreductor (sólo en las versiones con freno) y realice la maniobra manual de apertura y cierre del cierre enrollable, controlando que se deslice correctamente. Bloquee nuevamente el pomo de desbloqueo; **Fig. 22**
21. **REGULACIÓN DEL FIN DE CARRERA DE BAJADA** (cierre)
Con el inversor accione el motorreductor en bajada hasta que se accione el fin de carrera. En la instalación ilustrada, el fin de carrera de cierre es aquel indicado en la **Fig. 23**
22. **REGULACIÓN DEL FIN DE CARRERA DE SUBIDA** (apertura)
Tire del clip hacia afuera y contemporáneamente gire la ruedecilla indicada por la flecha teniendo en cuenta que 1 cm aproximadamente de su carrera corresponde a 1 m de subida. Accione el motorreductor en subida y controle que al subir el cierre enrollable se detenga en el punto deseado. **Fig. 24**. Continúe con los intentos hasta encontrar la posición deseada;
23. Monte nuevamente la tapa del fin de carrera, colocándola en la posición justa; **Fig. 25**
24. Si la instalación fuera contraria a aquella ilustrada, siga los pasos de manera inversa a aquellos descritos, porque el segundo fin de carrera regulará la bajada, mientras que el primero regulará la subida.

3) Maniobra manual (sólo en las versiones con freno)

⚠ El desbloqueo debe realizarse exclusivamente con el cierre enrollable detenido.

Para desbloquear el motorreductor, siga estos pasos:

- 1 Desenrosque hacia la derecha la parte inferior del pomo hasta sentir una cierta resistencia;
- 2 Abra o cierre manualmente el cierre enrollable;
- 3 Bloquee nuevamente el motorreductor, efectuando la operación contraria al punto 1.

4) Ensayo

El ensayo es la parte más importante de toda la instalación del automatismo. Cada componente, tal como motorreductor, parada de emergencia, fotocélulas, etc., puede requerir un ensayo específico; por lo tanto, se aconseja efectuar los procedimientos indicados en los manuales de instrucciones respectivos. El ensayo de toda la automatización debe ser efectuado por personal experto y cualificado que debe realizar los ensayos requeridos en función del riesgo presente. Para el ensayo de RONDO, siga esta secuencia de operaciones:

- Controle que las fusiones estén en buenas condiciones, es decir que no estén rotas;

- Controle que el motorreductor esté bien fijado al eje portamuelles;
- Controle que las conexiones roscadas estén bien apretadas;
- Controle que los contactos eléctricos estén en buenas condiciones;
- Controle que la polea no tenga juegos axiales excesivos;
- Controle la regulación de los fines de carrera realizando una maniobra completa (subida-bajada);
- Controle que el motorreductor, bloqueado en cualquier punto, no tienda a moverse;
- Controle que el dispositivo de desbloqueo desenganche fácilmente el motorreductor del cierre enrollable (solo en las versiones con freno)

5) Mantenimiento

El mantenimiento de RONDO no requiere grandes trabajos; un control programado cada seis meses permitir una mayor duración del motorreductor y un funcionamiento seguro del sistema.

El mantenimiento consiste simplemente en repetir el procedimiento de ensayo.

5.1) Desguace

En el caso de desguace del automatismo, no existen peligros o riesgos particulares causados por el mismo automatismo. Siga en el orden inverso los pasos del capítulo "Fijación"

RONDO está formado de varios tipos de materiales. El desguace de dichos materiales se debe efectuar respetando las normas locales vigentes. Es oportuno separar los materiales por tipo (piezas eléctricas, aluminio, plástico, etc.).

6) Características técnicas

RN2010 - RN2020 - RN2020/V1H6

Motorreductor reversible sin freno

RN2030 - RN2040 - RN2040/V1H6

Motorreductor irreversible con freno y dispositivo de desbloqueo

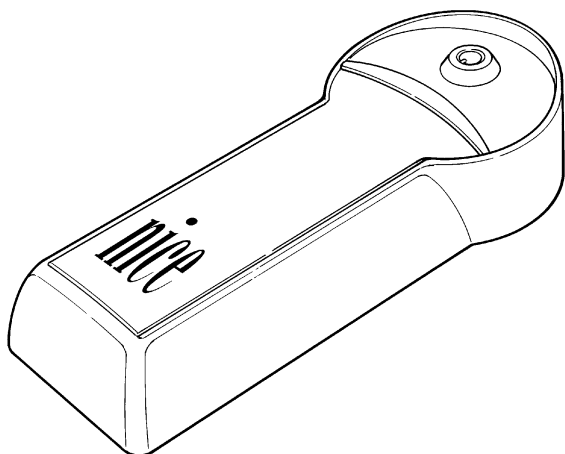
		RN2010 RN2030	RN2020 RN2040	RN2020/V1H6 RN2040/V1H6
Alimentación / frecuencia	Vac/Hz	230/50		120/60
Corriente absorbida	A	2	2.6	4.8
Potencia absorbida	W	450	600	580
Par máx.	Nm	130	180	
Fuerza máx. de levantamiento con Ø 200mm	kg	130	180	
Velocidad nominal	Rpm	8.5		10
Par nominal	Nm	75	100	
Diámetro estándar del eje del cierre enrollable	mm	60*		
Diámetro de las poleas del enrollador	mm	200*		
Velocidad de rotación de la corona (en vacío)	Rpm	10	12	
Temperatura ambiente de funcionamiento	°C	-20 ÷ +50		
Grado de protección	IP	20		
Protección térmica	°C	140		
Tiempo de funcionamiento continuo	Minutos	4		
Ciclo de funcionamiento máx.	Seg	50% con 30s ON y 30s OFF		
Peso	kg	9.5	10	
Clase de aislamiento		F		

* 48 y 42mm con adaptador suministrado

** 220mm con adaptador suministrado

7) Accesorios

KIO - Selector de llave con desbloqueo por tirador





Motorreductor electromecánico para automatizar los cierres enrollables compensados

rondo

E

Instrucciones y advertencias destinadas al usuario del motorreductor RONDO

Felicitaciones por haber elegido un producto Nice para su automatización!

Nice S.p.a. produce componentes para la automatización de cancelas, puertas, cierres enrollables, persianas y toldos, tales como: motorreductores, centrales de mando, radiomandos, luces intermitentes, fotocélulas y accesorios. Los productos Nice son fabricados sólo con materiales de calidad y excelentes mecanizados. Nuestra empresa busca constantemente soluciones innovadoras que simplifiquen aún más el uso de nuestros aparatos, los que son cuidados bajo todo aspecto (técnico, estético y ergonómico): en la gran gama Nice, su instalador puede escoger el producto que satisfaga de la mejor manera sus exigencias.

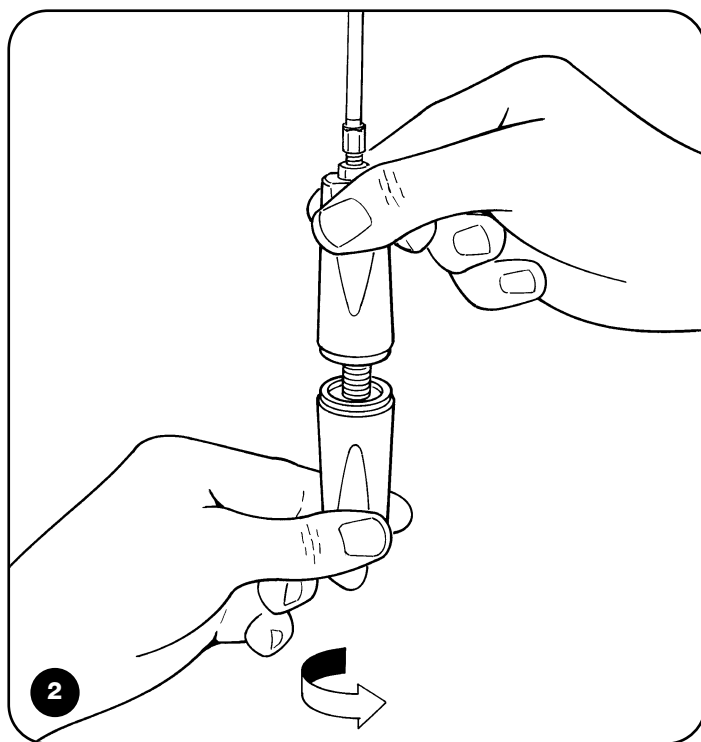
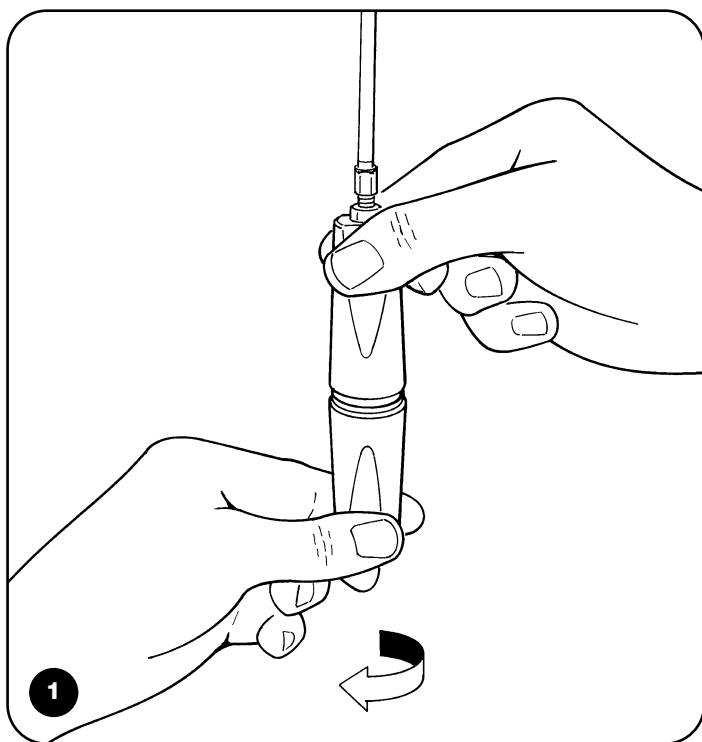
Nice no es quien escoge los componentes de su automatización, este es un trabajo de análisis, evaluación, elección de los materiales y realización de la instalación efectuado por su instalador de confianza. Por lo tanto, cada automatización es única y sólo su instalador puede ejecutar una instalación a medida de sus exigencias (puesto que cuenta con la experiencia y profesionalidad necesarias), segura y fiable en el tiempo y, sobre todo, que respete las normativas vigentes.

Una instalación de automatización es una gran comodidad, además de un sistema de seguridad válido y, con un mantenimiento reducido y sencillo, está destinada a durar por mucho tiempo. Aunque bien su automatización satisfaga el nivel de seguridad requerido por las normativas, esto no excluye la existencia de un "riesgo residual", es decir, la posibilidad de que se puedan crear situaciones de peligro causadas por un uso inconsciente o incorrecto. Por dicho motivo, a continuación le damos algunos consejos sobre cómo comportarse para evitar inconvenientes:

- **Antes de usar por primera vez el automatismo:** pida a su instalador que le explique el origen de los riesgos residuales y lea este manual de **instrucciones y advertencias para el usuario** entregado por el instalador. Conserve el manual por cualquier problema que pueda surgir y recuerde entregarlo a un posible nuevo dueño del automatismo.
- **El automatismo ejecuta fielmente los mandos dados:** un uso inconsciente o inadecuado puede ser peligroso. Por consiguiente, no accione el automatismo cuando en su radio de acción haya personas, animales o cosas.



- **Niños:** una instalación de automatización garantiza un elevado grado de seguridad, impidiendo, gracias a sus sistemas de detección, que se mueva ante la presencia de personas o cosas y garantizando una activación previsible y segura. Procure que los niños no jueguen cerca del automatismo y mantenga los controles remotos lejos de su alcance: **no son un juguete!**
- **Desperfectos:** cada vez que el automatismo no funcione correctamente, corte la alimentación eléctrica de la instalación y realice el desbloqueo manual. No realice ninguna reparación y llame a su instalador de confianza: una vez desbloqueado el motorreductor, como descrito en seguida, la instalación podrá funcionar manualmente como un cerramiento no automatizado.
- **Mantenimiento:** para garantizar una larga vida útil y para un funcionamiento seguro, la instalación, al igual que cualquier otra maquinaria, requiere un mantenimiento periódico. Establezca con su instalador un plan de mantenimiento con frecuencia periódica. Nice aconseja realizar un mantenimiento cada 6 meses para un uso residencial normal, que puede variar según la intensidad de uso. Cualquier tipo de control, mantenimiento o reparación debe ser realizado sólo por personal cualificado.
- Aunque piense que lo sabe hacer, no modifique la instalación ni los parámetros de programación y regulación del automatismo: la responsabilidad es de su instalador.
- El ensayo final, los trabajos de mantenimiento periódico y las posibles reparaciones deben ser documentados por quien los efectúa y los documentos tienen que ser conservados por el dueño de la instalación.
- **Desguace:** al final de la vida útil del automatismo, el desguace debe ser realizado por personal cualificado y los materiales deben ser reciclados o eliminados según las normas locales vigentes.
- **En el caso de roturas o falta de alimentación.** Esperando la intervención de su instalador (o la llegada de la energía eléctrica si la instalación no está dotada de baterías compensadoras), la instalación puede accionarse igual que cualquier cerramiento no automatizado. A tal fin es necesario realizar el desbloqueo manual que es la única operación que el usuario puede realizar y que Nice ha estudiado minuciosamente para facilitar su empleo, sin necesidad de utilizar herramientas ni hacer esfuerzos físicos.²



1. Desenrosque hacia la derecha el pomo inferior hasta sentir una cierta resistencia (**Fig. 1**);
2. Abra o cierre manualmente el cierre enrollable;
3. Bloquee de nuevo el motorreductor girando el pomo inferior hacia la izquierda hasta que los dos pomos tengan contacto entre sí (**Fig. 2**).

Importante: si su instalación está dotada de un radiomando que, transcurrido un cierto período, no funciona correctamente o deja de funcionar, podría ser que la pila esté agotada (dura desde varios meses a 2/3 años según el modelo). Ud. se podrá dar cuenta de este inconveniente por el hecho de que la luz del indicador de confirmación de la transmisión es débil, no se enciende, o bien se enciende sólo durante un breve instante. Antes de llamar al instalador, pruebe sustituir la pila con una de otro transmisor que funcione correctamente: si el problema fuera este, sustituya la pila con otra del mismo tipo.

Está Ud. satisfecho? Si Ud. deseara montar en su casa un nuevo automatismo, contacte al mismo instalador y a Nice, así podrá tener la garantía de un asesoramiento de un experto y los productos más modernos del mercado, el mejor funcionamiento y la máxima compatibilidad de las automatizaciones.

Le agradecemos por haber leído estas recomendaciones y esperamos que esté satisfecho de su nueva instalación: ante cualquier exigencia, contacte con confianza a su instalador.

rondo

Spis:	pag.		pag.		
1	Opis produktu	32	3	Ruch ręczny	33
2	Instalowanie	32	4	Próby odbiorcze	33
2.1	Kontrola wstępna	32	5	Czynności konserwacyjne	33
2.2	Instalacja typowa	32	5.1	Utylizacja	33
2.3	Montaż	32	6	Dane techniczne	33
			7	Akcesoria	34
				Instrukcje i ostrzeżenia skierowane do użytkownika siłownika RONDO	35

PL

Ostrzeżenie

Niniejsza instrukcja przeznaczona jest wyłącznie dla technika instalatora z odpowiednimi kwalifikacjami. Żadna z informacji zawartych w niniejszej instrukcji nie służy użytkownikowi. Przed przystąpieniem do instalowania automatyki należy uważnie przeczytać całą instrukcję, ponieważ dostarcza ona ważnych informacji związanych z bezpieczeństwem, instalacją, użytkowaniem i czynnościami konserwacyjnymi.

Inne czynności poza tymi zawartymi w niniejszej instrukcji nie są dozwolone. Niewłaściwe użytkowanie może być źródłem uszkodzeń i niebezpiecznych sytuacji.

Siłownik RONDO nie jest przeznaczony do użytku w środowisku zagrożonym eksplozją.

1) Opis produktu

RONDO jest siłownikiem do bram rolowanych, wyważonych sprężynami. Służy do automatyzacji bram rolowanych o maksymalnej wysokości 6m i o wadze do 180kg. Siłownik może być zamontowany na bramach rolowanych, w których średnica wału nośnego sprężyny

wynosi $\varnothing 42\text{mm}$, $\varnothing 48\text{mm}$ i $\varnothing 60\text{mm}$. Bębny nośne sprężyn mogą mieć średnicę 200mm lub 220mm. Części siłownika wykonane są z aluminium metodą odlewu ciśnieniowego. Posiadają wyłączniki graniczne ze śrubą drobnozwojną oraz mechaniczną pamięcią pozycji.

2) Instalacja

2.1) Kontrola Wstępna

Pamiętać należy, że instalacja do drzwi rolowanych automatycznych musi być wykonywana wyłącznie przez personel wykwalifikowany zgodnie z normami prawnymi

W szczególności sprawdzić czy:

- opakowanie nie jest uszkodzone i czy zawiera wszystkie części przedstawione na rysunku **rys. 1**;

- brama rolowana przy podnoszeniu lub opuszczaniu nie zacina się;
- brama rolowana jest dokładnie wyważona, tzn. gdy zatrzymana jest na jakimkolwiek poziomie nie opuszcza się ani nie podnosi;
- brama rolowana porusza się cicho i płynnie;
- na podstawie **rys. 2** sprawdzić, czy strefa zamocowania odpowiada wymiarom siłownika.

2.2) Instalacja Typowa (rys. 3)

- 1 siłownik RONDO
- 2 puszkę rozdzielczą
- 3 pokrętło do wysprzęglania (w zestawie)

- 4 włącznik napędu lub centrala elektroniczna
- 5 linia elektryczna zasilająca
- 6 bębny nośne sprężyny

2.3) Mocowanie

1. Zamknąć dokładnie drzwi rolowane aby mieć dostęp do wału nośnego sprężyny. Wywiercić w wale nośnym poziomo otwór o średnicy 11mm w odległości 90mm od jego środka; **rys. 4**
2. Po odkręceniu śrubek M8 ściągnąć obydwie półbębny; **rys. 6**
3. Ściągnąć tuleję slizgową; **rys. 7**
4. Ściągnąć uchwyt w kierunku strzałki; **rys. 8**
5. Zmierzyć średnicę wału nośnego sprężyny. Gdy średnica wynosi 60 mm należy kontynuować instalowanie, gdyby średnica wału wynosiła 48 mm lub 42 mm należy założyć odpowiednie adaptory (znajdujące się w zestawie); **rys. 9**
6. Ponownie założyć uchwyt ściągnięty w punkcie 5, zwracając uwagę na kierunek jego zakładania i przykręcić właściwymi śrubami; **rys. 10**
7. Założyć tuleję, która była ściągnięta w punkcie 4 i posmarować smarem jej powierzchnię; **rys. 11**
8. Wkręcić śrubę M10 w wał nośny sprężyny uważając aby przeszła przez otwór, wykonany zgodnie z punktem 1 i ewentualnie przez adapter. **rys. 12**
9. Przykręcić siłownik do wału nośnego sprężyny dwoma śrubami M10 i zablokować śruby przeciwnakrętkami; **rys. 13**
10. Wykonać otwór w wale nośnym sprężyny w celu przeciągnięcia przez ten otwór przewodu zasilającego oraz linki do wysprzęglania (tylko dla wersji z hamulcem); **rys. 14**
11. Złożyć w całość pokrętło do wysprzęglania ze wszystkimi częściami do regulacji (A), wsunąć linkę wysprzęglania w pokrętło, przytrzymać i zablokować zaciskiem (B). (tylko dla wersji z hamulcem); **rys. 15**
12. Wykonać ruch wysprzęglania wykręcając z uchwytu część dolną pokrętła. Sprawdzić ręcznie czy siłownik jest wysprzęglony. Ewentualnie luzę wyregulować regulatorami; **rys. 16**
13. Lekko posmarować uzębienie odczepionych zgodnie z punktem 3 półbębnow i przymocować je przykręcając śrubami M8; **rys. 17**
14. Zmierzyć średnicę bębnow nośnych sprężyny i gdy ich średnica wynosi 200 mm przystąpić do instalowania.
15. Jeżeli średnica wynosi 220 mm należy założyć odpowiednie adaptory (B); **rys. 18**
16. Zdjąć osłonę zacisków elektrycznych. Poluzować zaciski i wykonać podłączenia zgodnie z **rys. 19**. Następnie dokręcić zaciski przewodów i założyć osłonę.
17. Zdjąć śrubokrętem szybkę, odstawiając regulację wyłączników granicznych; **rys. 20**.
18. Ostatni pas rolety przyłożyć do bębna siłownika i wykonać w nim otwór średnicy 11mm odpowiednio do otworu gwintowanego M10 znajdującego się w tym bębnie.
19. Po uprzednim założeniu podkładki przykręcić do oporu śrubę M10 płótno bramy rolowanej do siłownika. **rys. 21**
20. Wysprzęglić siłownik (tylko dla wersji z hamulcem) i wykonać ręcznie ruch obniżania i podnoszenia. Sprawdzić czy obniżanie i podnoszenie bramy odbywa się prawidłowo. Następnie ponownie zablokować całość wkręcając dolną część pokrętła; **rys. 22**
21. REGULACJA WYŁĄCZNIKA GRANICZNEGO OBNIŻANIA (zamykania)
Przełącznikiem włączyć siłownik i obniżyć bramę do momentu, w którym zainterweniuje wyłącznik graniczny. Pokręcając regulatorem, ustawić żądaną pozycję dolną bramy. Wyłącznik graniczny zamykania wskazany jest na **rys. 23** (dla przedstawionej na rys. instalacji).
22. REGULACJA WYŁĄCZNIKÓW GRANICZNYCH NAWIJANIA (otwierania)
Pociągnąć klips w kierunku na zewnątrz i jednocześnie obrócić kółkiem oznaczonym strzałką mając na uwadze to, że 1 cm jego obrotu odpowiada w przybliżeniu 1 metrowi wzniesienia. Zwolnić klips. Podłączyć zasilenie do siłownika nawijania i sprawdzić czy faktycznie brama podniesie się i zatrzyma się na żądanej pozycji. **rys. 24**. Wykonać regulacje kilkakrotnie aż do uzyskania żądanej pozycji.
23. Założyć z powrotem pokrywkę na regulatorze wyłączników krańcowych zgodnie z jego położeniem wg **rys. 25**
24. W wypadku gdy instalowanie jest odwrotne niż przedstawione wyżej, wszystkie czynności należy wykonać w odwrotnej kolejności ponieważ drugi wyłącznik graniczny reguluje obniżanie, a pierwszy podwyższanie.

3) Ruch Ręczny (tylko w wersjach z hamulcem)

⚠ Wysprzęglenie wykonywać wyłącznie przy bramie nieruchomej.

Aby wysprzęglić siłownik należy:

1 Wykręcić z uchwytu część dolną pokrętki aż do odczucia pewnego oporu;

2 Podnieść i opuścić ręcznie bramę;
3 Ponownie zablokować siłownik wykonując czynności w porządku przeciwnym niż w punkcie 1.

4) Próby Odbiorcze

Próby ostateczne są najważniejszą fazą w instalowaniu automatyki. Każdy pojedynczy komponent, jak na przykład: siłownik, zatrzymanie awaryjne, fotokomórki, itp. mogą wymagać specyficznej fazy prób i dlatego też zaleca się wykonanie ich według właściwych instrukcji. Próby odbiorcze całej automatyki muszą być wykonane przez doświadczony i wykwalifikowany personel, który weźmie na siebie odpowiedzialność za wykonanie swojej pracy i świadomy jest ewentualnego niebezpieczeństwa.

Próby siłownika RONDO polegają na poniższych czynnościach:

- Sprawdzenie stanu odlewów, a więc czy nie mają pęknięć;
- Sprawdzenie, czy siłownik jest odpowiednio przymocowany do

wału nośnego sprężyny;

- Sprawdzenie, czy wszystkie śruby zakręcone są do oporu;
- Sprawdzić, czy kontakty elektryczne są w dobrym stanie;
- Sprawdzić, czy w bębnie napędowym nie ma zbyt dużego luzu osiowego;
- Sprawdzić wyregulowanie wyłączników granicznych wykonując kompletny ruch (podniesienie, obniżenie);
- Sprawdzić, czy siłownik zablokowany w jakiegokolwiek pozycji nie porusza się;
- Sprawdzić, czy wysprzęglenie prawidłowo odłącza siłownik od rolety (tylko dla wersji z hamulcem)

5) Czynności Konserwacyjne

Siłownik RONDO nie wymaga specjalnych czynności konserwacyjnych, a przewidziana kontrola co sześć miesięcy gwarantuje dłuższą żywotność siłownika i bezpieczne funkcjonowanie systemu.

Czynności konserwacyjne polegają na powtórzeniu procedury prób odbiorczych.

5.1) Utylizacja

Automatyka nie posiada części, które zagrożeniem dla środowiska oraz nie istnieje żadne niebezpieczeństwo z nią związane. Przy jej demontażu należy wykonać procedurę "Mocowanie" ale w odwrotnej kolejności.

Siłownik RONDO wykonany jest z różnych surowców i utylizację poszczególnych elementów wykonać według aktualnie obowiązujących norm prawnych. Należy pogrupować poszczególne elementy według surowców (części elektryczne, aluminium, plastik, itp.)

6) Dane techniczne

RN2010 - RN2020 - RN2020/V1H6

Siłownik niesamohamowny bez hamulca

RN2030 - RN2040 - RN2040/V1H6

Siłownik niesamohamowny z hamulcem i wysprzęgleniem

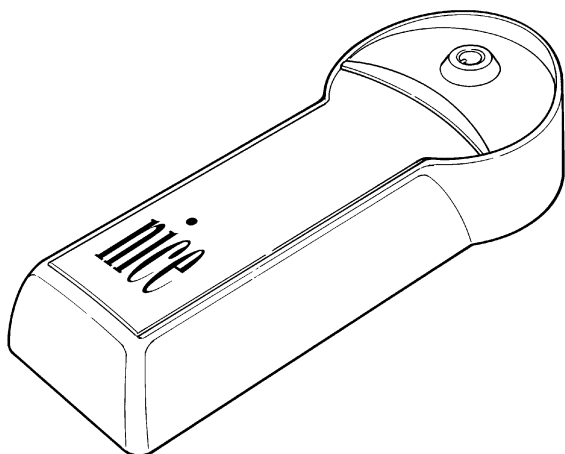
		RN2010 RN2030	RN2020 RN2040	RN2020/V1H6 RN2040/V1H6
Zasilanie / częstotliwość	Vac/Hz	230/50		120/60
Prąd pobierany	A	2	2.6	4.8
Moc absorbowana	W	450	600	580
Moment max.	Nm	130	180	
Maks. siła podnoszenia przy Ø200mm	kg	130	180	
Prędość nominalna	Rpm	8.5		10
Moment nominalny	Nm	75	100	
średnica standard wała rolety	mm	60*		
średnica standart tulei części nawiajnych	mm	200*		
Prędość bez obciążenia	Rpm	10	12	
Temperatura środowiska pracy	°C	-20 ÷ +50		
Stopień zabezpieczenia	IP	20		
Zabezpieczenie termiczne	°C	140		
Czas pracy ciągłej	Minuty	4		
Maksymalny czas pracy	Sek	50% 30s ON z 30s OFF		
Waga	kg	9.5	10	
Klasa izolacji		F		

* 48 i 42mm z dostarczonym adapterem

** 220 mm z dostarczonym adapterem

7) Akcesoria

KIO - Selektor na klucz z wysprzężeniem z linką.





Siłownik elektromechaniczny do automatyzacji wyrównoważonych drzwi rolowanych

rondo **PL**

Instrukcje i ostrzeżenia dla użytkownika siłownika Rondo

Gratulujemy wyboru automatyki firmy Nice!

Nice S.p.a. produkuje elementy do automatyzacji bram, drzwi, bram rolowanych, rolet i markiz: siłowniki, lampy sygnalizacyjne, fotokomórki i akcesoria. Firma Nice stosuje w swoich produktach wyłącznie surowce wysokiej jakości i, z powołania, poszukuje nowych rozwiązań innowacyjnych maksymalnie ułatwiających użytkowanie tych urządzeń. Elementy te są technicznie wysokiej jakości, estetyczne i z dokładnie opracowaną ergonomią. Z zestawu produktów Nice wasz instalator z pewnością wybierze produkt, który najbardziej odpowiada waszym wymaganiom.

Wasza automatyka nie jest produktem firmy Nice, ale jest dziełem sztuki zrealizowanym w wyniku wieloletnich analiz, obliczeń, wyboru surowców a realizacja tej instalacji powierzona jest waszemu instalatorowi. Każda automatyka jest jedyna w swoim rodzaju. Gdy wasz instalator posiada wystarczające doświadczenie i niezbędną wiedzę do jej wykonania to automatyka na pewno będzie odpowiadała waszym wymaganiom, będzie trwała i niezawodna, a przede wszystkim będzie wykonana zgodnie z aktualnie obowiązującymi normami prawnymi.

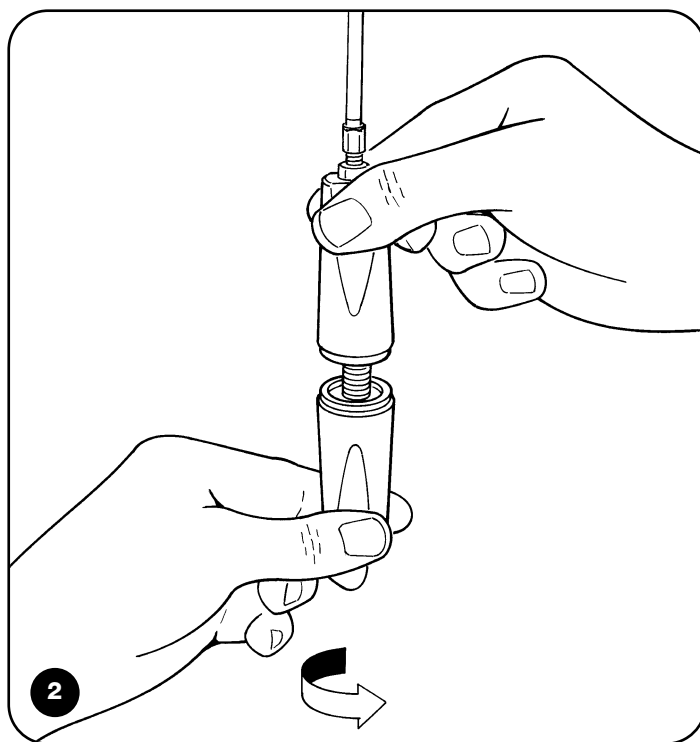
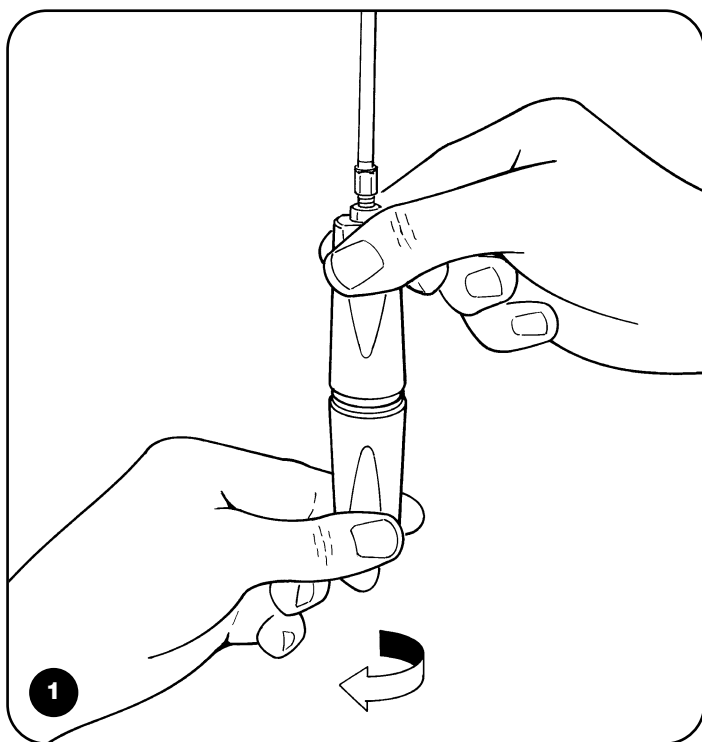
Automatyka jest wygodnym rozwiązaniem, posiada funkcjonalny system zabezpieczający i gdy jest zadbana będzie wam służyć wiele lat. Gdy automatyka spełnia wasze wymagania w zakresie bezpieczeństwa i zgodnie z normami prawnymi nie znaczy to, że nie istnieją inne niebezpieczeństwa. Mogą się bowiem utworzyć sytuacje niebezpieczne spowodowane nieodpowiedzialnym i błędnym użytkowaniem. Dlatego też chcemy przekazać wam użyteczne wskazówki w celu uniknięcia takich niekorzystnych sytuacji:

- **Przed pierwszym uruchomieniem automatyki** należy poprosić instalatora o dokładne przedstawienie ewentualnych niebezpieczeństw. Przeczytać **instrukcję i ostrzeżenia dla instalatora**, którą wam przekazał. Przechowywać instrukcję w celu ewentualnych przyszłych konsultacji, lub aby przekazać ją innemu użytkownikowi automatyki.
- **Wasza automatyka jest systemem, który wykonuje sumiennie wasze rozkazy;** nierozumne użytkowanie może stać się niebezpieczne. Nie włączać automatyki gdy w zasięgu jej działania znajdują się ludzie, zwierzęta lub rzeczy.



Nice

- **Dzieci:** automatyka gwarantuje wysoki stopień bezpieczeństwa. Zatrzymuje ruch, gdy jej system zabezpieczający odczyta obecność osób lub rzeczy i gwarantuje uaktywnienie tego systemu w sposób pewny i przewidziany. Bezpieczniej jednak zabronić dzieciom bawienia się w pobliżu automatyki oraz pozostawionymi bez nadzoru pilotami, aby uniknąć nieumyślnego włączenia: **nadajniki sterowania to nie zabawka!**
- **Anomalie.** Gdy zauważy się jakiegokolwiek niewłaściwe zachowanie automatyki należy odłączyć od niej zasilanie elektryczne i wysprzęglić ręcznie według procedury niżej opisanej. Nie wykonywać samodzielnie napraw, ale wezwać uprawnionego instalatora: brama może funkcjonować również bez automatyki.
- **Czynności konserwacyjne.** Automatyka, jak każda maszyna, wymaga okresowych czynności konserwacyjnych, co gwarantuje jej bezpieczne i długoletnie funkcjonowanie. Uzgodnić z waszym instalatorem program okresowych przeglądów konserwacyjnych. Firma Nice poleca, aby przeglądy wykonywać co sześć miesięcy, ale zależy to też od intensywności użytkowania. Jakikolwiek przegląd, związany z czynnościami konserwacyjnymi czy naprawą, ma być wykonany przez wykwalifikowany personel.
- **Nawet wówczas,** gdy jesteście pewni swojej wiedzy nie wolno wprowadzać żadnych zmian w instalacji, w parametrach programowania i w regulacji automatyki: czynności te są obowiązkiem instalatora.
- Kontrola końcowa, okresowe przeglądy i ewentualne naprawy mają być udokumentowane przez osobę wykonującą te czynności: dokumenty te ma przechowywać właściciel instalacji.
- Złomowanie. Po zakończeniu eksploatacji instalacji demontaż musi być wykonany przez upoważnione osoby, materiały mają być posegregowane według aktualnie obowiązujących miejscowych norm prawnych.
- **W wypadku uszkodzenia lub braku zasilania:** Oczekując na przybycie instalatora (lub na powrót energii elektrycznej oraz gdy instalacja nie posiada akumulatorów awaryjnych) urządzenie może być uruchamiane ręcznie, czyli jak każde inne urządzenie nieautomatyczne. Wysprzęglić urządzenie ręcznie: ta czynność jest jedyną czynnością, którą może wykonać użytkownik. Jest to funkcja dokładnie opracowana przez firmę Nice w celu ułatwienia jej obsługi bez stosowania narzędzi i wysiłku fizycznego.^{2 3}



1. Odkręcić, wysuwając pokrętko dolne aż do odczucia pewnego oporu; **(rys.1)**
2. Otworzyć i zamknąć ręcznie bramę rolowaną;
3. Zasprzęglić siłownik poprzez przekręcenie pokrętłem w kierunku przeciwnym, wkręcając je do końca. **(rys.2)**

Ważne: gdy wasze urządzenie jest sterowane pilotem, którego działanie po pewnym czasie słabnie lub przestaje działać to prawdopodobnie baterie w nim znajdujące się wyczerpały się (w zależności od rodzaju baterii może stać się to po kilku miesiącach jak i po dwóch lub trzech latach). Światelko ostrzegawcze w pilocie jest wówczas słabe, w ogóle nie świeci się lub zaświeci na krótki czas. Przed wezwaniem instalatora wymienić baterie, na takie same - z innego funkcjonującego nadajnika. Jeżeli jest to jedyny powód nie funkcjonowania pilota to wystarczy wymienić baterie na nowe tego samego rodzaju.

Jesteście zadowoleni z waszej automatyki? W wypadku zamiaru zainstalowania następnych urządzeń zaleca się wezwanie tego samego instalatora, a firma Nice zagwarantuje wam oprócz konsultacji jednego ze specjalistów produkt najbardziej postępowy na rynku, idealne funkcjonujące urządzenie i maksymalną kompatybilność systemu.

Dziękujemy za przeczytanie niniejszych wskazówek, życzymy dużej satysfakcji z nowej automatyki. W celu ewentualnych wyjaśnień, czy porad prosimy zwrócić się do waszego instalatora.

Dichiarazione CE di conformità / EC declaration of conformity

(secondo Direttiva 98/37/CE, Allegato II, parte B) (according to 98/37/EC Directive, Enclosure II, part B)

Numero / Number: 168/RN Data / Date: 02/2003

Revisione / Revision: 0

Il sottoscritto Lauro Buoro, Amministratore Delegato, dichiara che il prodotto

The undersigned Lauro Buoro, General Manager of the following producer, declares that the product

Nome produttore / Producer name: NICE S.p.a.
Indirizzo / Address: Via Pezza Alta 13, 31046 Z.I. Rustignè - ODERZO - ITALY
Tipo / Type: Motoriduttore elettromeccanico "RONDO" per serrande bilanciate
Electromechanical gearmotor for balanced rolling shutters
Modello / Model: RN2010, RN2020, RN2030, RN2040, RN2020/V1H6, RN2040/V1H6
Accessori / Accessories: Nessun accessorio / No accessory

Risulta conforme a quanto previsto dalle seguenti direttive comunitarie / Complies with the following community directives

Riferimento n°	Titolo
Reference n°	Title
73/23/CEE	DIRETTIVA BASSA TENSIONE / <i>Low Voltage Directive</i>
89/336/CEE	DIRETTIVA COMPATIBILITA' ELETTROMAGNETICA (EMC) / <i>EMC Electromagnetic Compatibility Directive</i>
98/37/CE (EX 89/392/CEE)	DIRETTIVA MACCHINE / <i>Machinery Directive</i>

Risulta conforme a quanto previsto dalle seguenti Norme armonizzate / Complies with the following Harmonised standards

Riferimento n°	Edizione	Titolo	Livello di valutazione	Classe
Reference n°	Issue	Title	Estimate level	Class
EN60335-1	04/1998	Sicurezza degli apparecchi elettrici d'uso domestico e similare - Norme generali. <i>Safety of household and electrical appliances - General requirements</i>		
EN60204-1	09/1993	Sicurezza del macchinario-Equipagg. elettrico delle macchine-Parte 1:Reg.generali <i>Safety of machinery-Electrical equipment of machines-Part 1:General requirements</i>		
EN55022	09/1998	Apparecchi per la tecnologia dell'informazione Caratteristiche di radiodisturbo. Limiti e metodi di misura <i>Information technology equipment - Radio disturbance characteristics. Limits and methods of measurement</i>		B

Risulta conforme a quanto previsto dalle altre norme e/o specifiche tecniche di prodotto / Complies with the other standards and/or product technical specifications

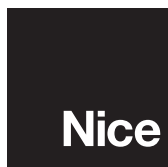
Riferimento n°	Edizione	Titolo	Livello di valutazione	Classe
Reference n°	Issue	Title	Estimate level	Class
EN 12445	11/2000	Industrial, commercial and garage doors and gates Safety in use of power operated doors - Test methods		
EN 12453	11/2000	Industrial, commercial and garage doors and gates Safety in use of power operated doors - Requirements		

Inoltre dichiara che non è consentita la messa in servizio del prodotto suindicato finché la macchina, in cui il prodotto stesso è incorporato, non sia identificata e dichiarata conforme alla direttiva 98/37/CEE / He declares, moreover, that it is not allowed to use the above mentioned product until the machine, in which this product is incorporated, has been identified and declared in conformity with the regulation 98/37/CEE.

P.S.: Il prodotto suindicato si intende parte integrante di una delle configurazioni di installazione tipiche, come riportato nei nostri cataloghi generali / The above mentioned product is meant integral part of the of one of the installation configuration as shown on our general catalogues.

Oderzo, 31 Marzo 2003

Amministratore delegato
(General Manager)
Lauro Buoro



Headquarter

Nice SpA
Oderzo TV Italia
Tel. +39.0422.85.38.38
Fax +39.0422.85.35.85
info@niceforyou.com

Nice in Italy

Nice Padova
Sarmeola di Rubano PD Italia
Tel. +39.049.89.78.93.2
Fax +39.049.89.73.85.2
infopd@niceforyou.com

Nice Roma

Roma Italia
Tel. +39.06.72.67.17.61
Fax +39.06.72.67.55.20
inforoma@niceforyou.com

Nice worldwide

Nice France
Buchelay
Tel. +33.(0)1.30.33.95.95
Fax +33.(0)1.30.33.95.96
info@fr.niceforyou.com

Nice Rhône-Alpes

Decines Charpieu France
Tel. +33.(0)4.78.26.56.53
Fax +33.(0)4.78.26.57.53
info@lyon@fr.niceforyou.com

Nice France Sud

Aubagne France
Tel. +33.(0)4.42.62.42.52
Fax +33.(0)4.42.62.42.50
infomarseille@fr.niceforyou.com

Nice Belgium

Leuven (Heverlee)
Tel. +32.(0)16.38.69.00
Fax +32.(0)16.38.69.01
info@be.niceforyou.com

Nice España Madrid

Tel. +34.9.16.16.33.00
Fax +34.9.16.16.30.10
info@es.niceforyou.com

Nice España Barcelona

Tel. +34.9.35.88.34.32
Fax +34.9.35.88.42.49
info@es.niceforyou.com

Nice Polska

Pruszków
Tel. +48.22.728.33.22
Fax +48.22.728.25.10
info@pl.niceforyou.com

Nice UK

Chesterfield
Tel. +44.87.07.55.30.10
Fax +44.87.07.55.30.11
info@uk.niceforyou.com

Nice Romania

Cluj Napoca
Tel/Fax +40.264.45.31.27
info@ro.niceforyou.com

Nice Deutschland

Gelnhausen-Hailer
Tel. +49.60.51.91.52-0
Fax +49.60.51.91.52-119
info@de.niceforyou.com

Nice China

Shanghai
Tel. +86.21.575.701.46
+86.21.575.701.45
Fax +86.21.575.701.44
info@cn.niceforyou.com

Nice USA Inc.

Jacksonville, Fl.
Tel. +001.904.786.7133
Fax +001.904.786.7640
info@us.niceforyou.com



**Electromechanical gearmotor for the
automation of balanced rolling gates**



rondo

Instructions and warnings for the fitter

istruzioni e avvertenze per l'installatore

Instructions et recommandations pour l'installation

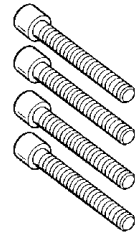
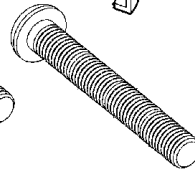
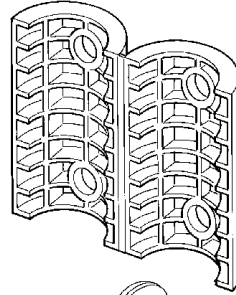
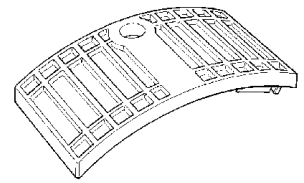
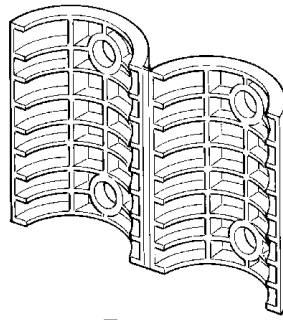
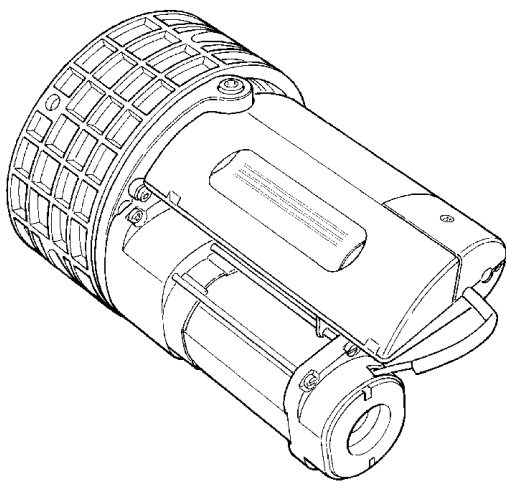
Anweisungen und hinweise für den installateur

Instrucciones j advertencias para el instalador

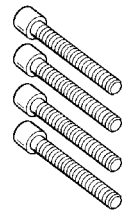
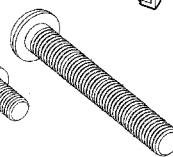
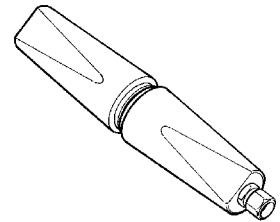
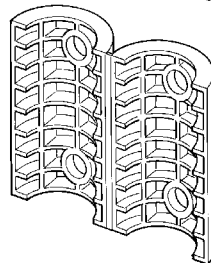
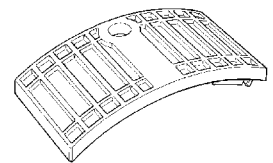
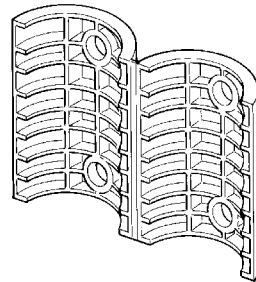
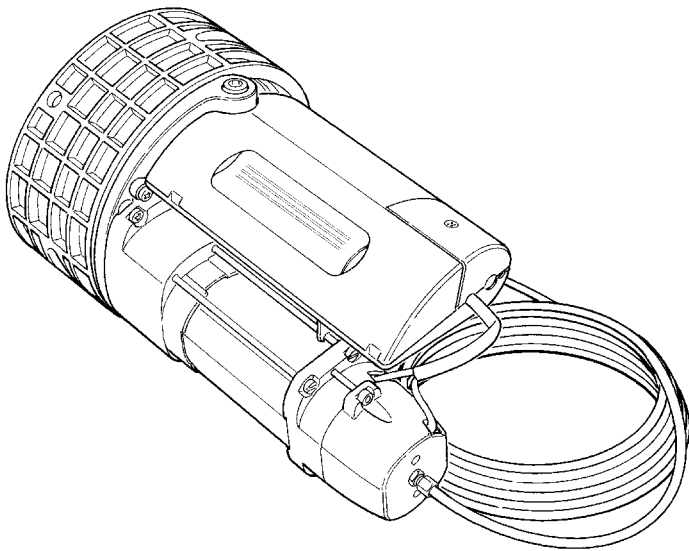
Instrukcja dla instalatora

CE

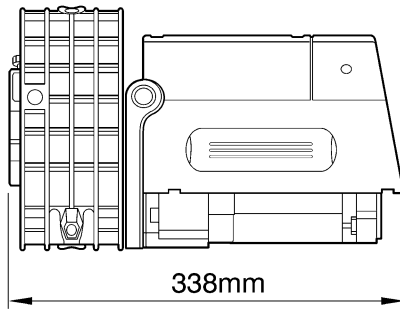
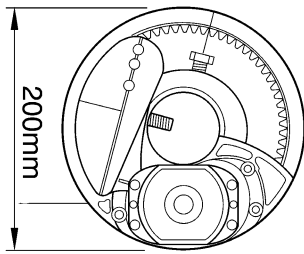
Nice



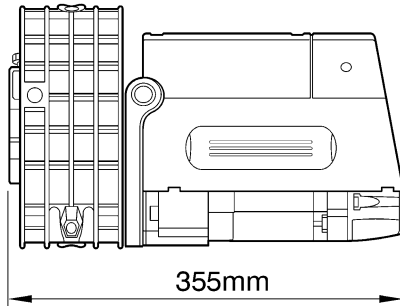
RN2010 - RN2020 - RN2020/V1H6



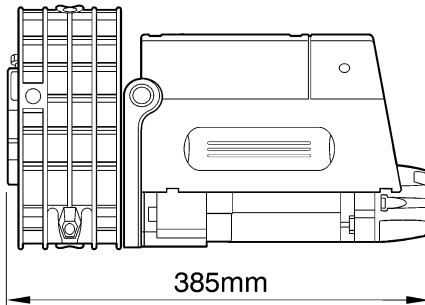
RN2030 - RN2040 - RN2040/V1H6



RN2010
RN2020
RN2020/V1H6

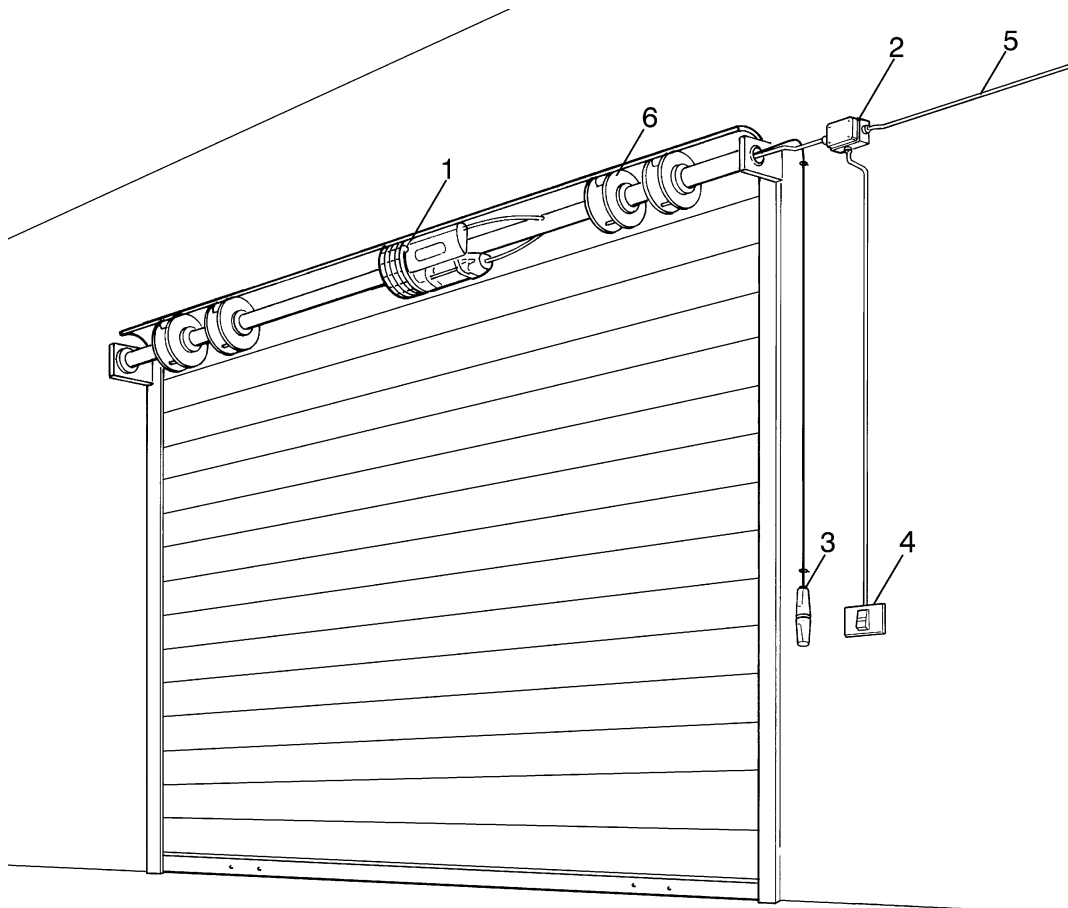


RN2030
RN2040/V1H6

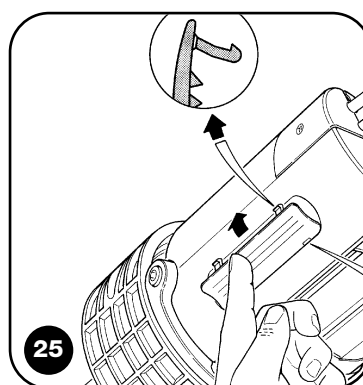
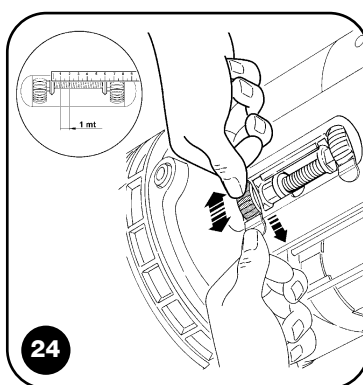
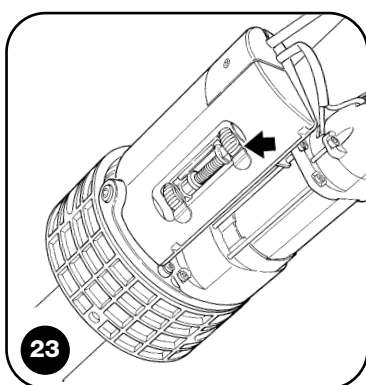
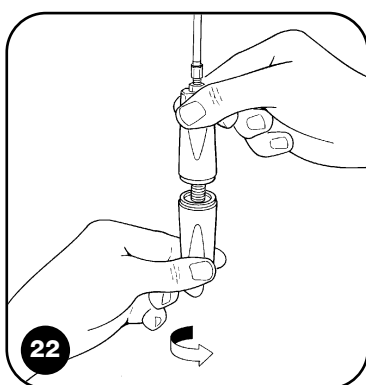
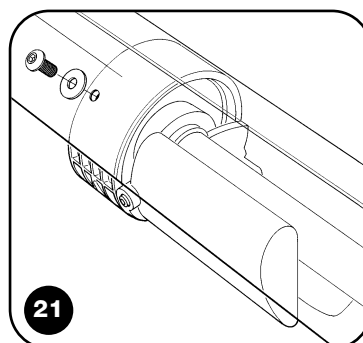
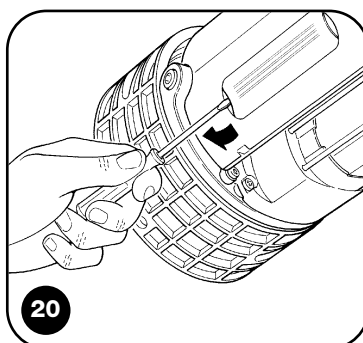
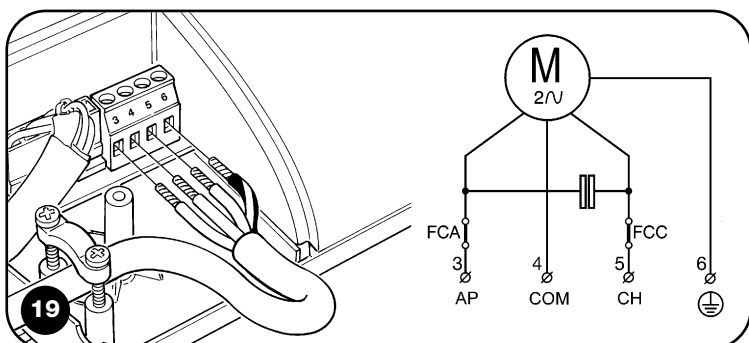
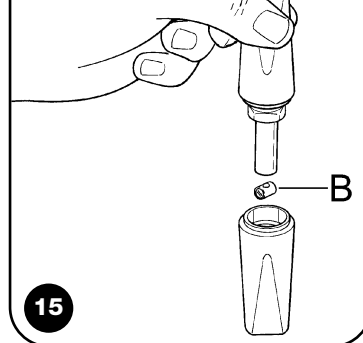
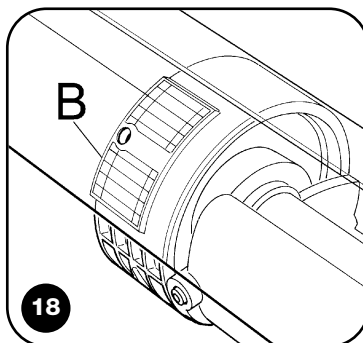
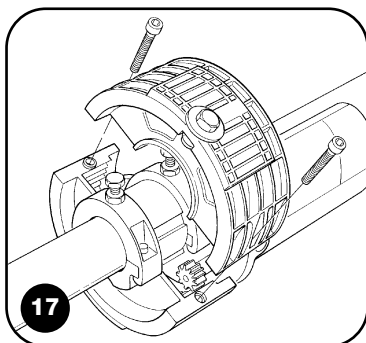
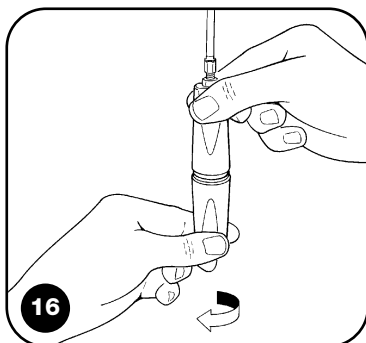
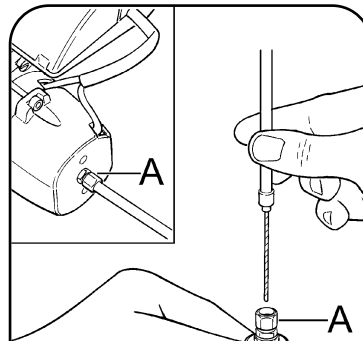
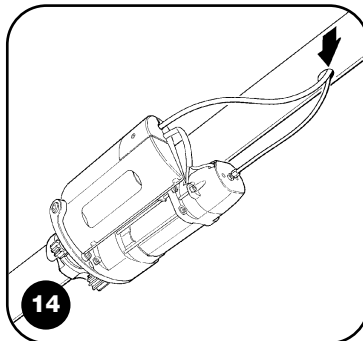
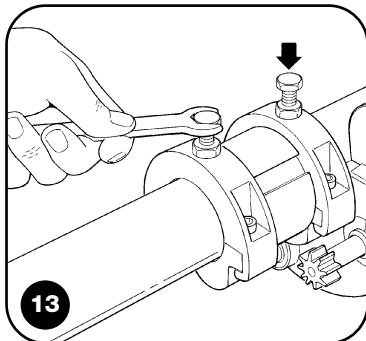
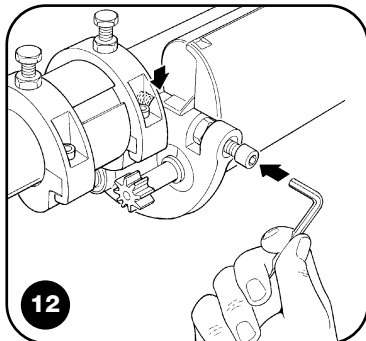
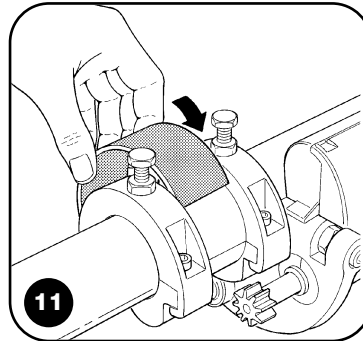
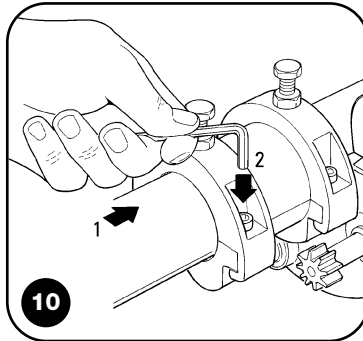
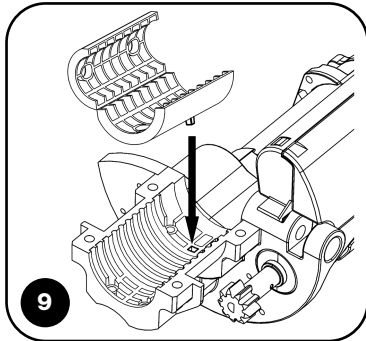
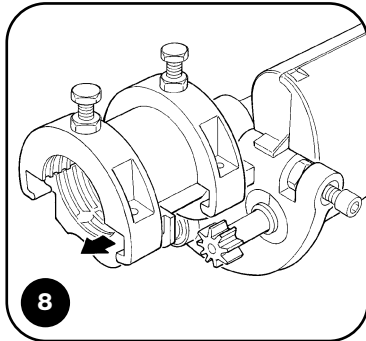
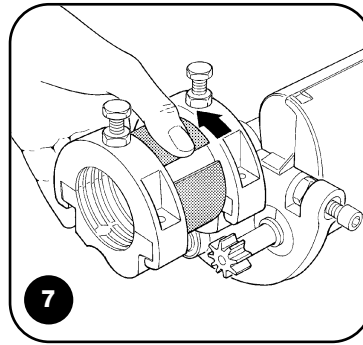
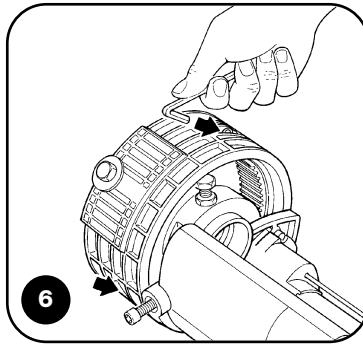
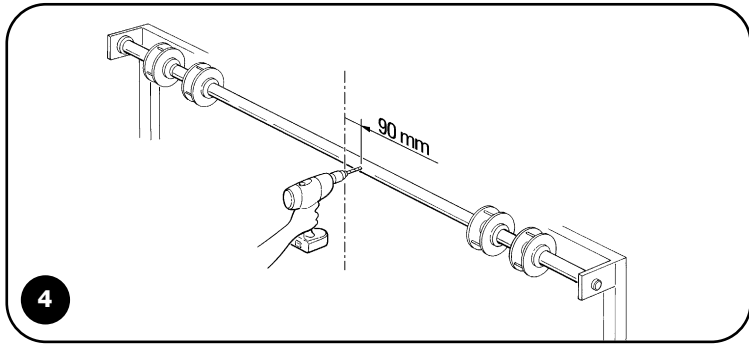


RN2040

2



3



N°	RN2010 RN2010E02	RN2020 RN2020E02	RN2030 RN2030E02	RN2040 RN2040E02	RN2020/V1H6 RN2020E02/V1H6	RN2040/V1H6 RN2040E02/V1H6
1				BMG0641R01 24567		
2				BMG0639R03 24567		
3				BMG0640R02 24567		
4				BMG0636 24567		
5				BMG0637 24567		
6	/	/	BMG0638 24567	BMG0638 24567	/	BMG0638 24567
7				PPD0745R03 4540		
8				PPD0746R03 4540		
9				PPD074701 4540		
10				PPD0647R01 4540		
11				PPD064801 4540		
12				PPD064901 4540		
13	/	/		PPD0644R03 4540	/	PPD0644R03 4540
14				PPD0748 4540		
15				PPD0749 4540		
16				PPD0750 4610		
17				PPD0645R02 4540		
18				PPD0776R01 4540		
19				PPD0643R02 4540		
20				PPD0642R02 4540		
21	/	/		PPD0820R01 4540	/	PPD0820R01 4540
22	/	/		PPD0832 4540	/	PPD0832 4540
23	/	/		PMD0819 4610	/	PMD0819 4610
24	PECR1422 4670	PECR1421 4670	PECR1422 4670	PECR1421 4670		PECR1422 4670
25				PMD0821 4610		
26				PMD0633R01 4610		
27				PMD1369 8003		
28				PMD0895R01 4610		
29	/	/		PMD0688R01 4610	/	PMD0688R01 4610
30	PEDS940 4650	PEDS889 4650	PEDS940 4650	PEDS889 4650		PEDS945 4650
31	/	/		BOB0690 1010	/	BOB0947 1010
32	/	/		PMD0689 4610	/	PMD0689 4610
33				141-A 8001		
34				PMCU14 4630		
35				PMCU1E 4630		
36				PMCS63 4630		
37						
38				PMCS31 4630		
39				MO-O 2640		
40				PPD1092 4540		
41	/	/		MO-N 2640	/	MO-N 2640
42				20U450A 0727		70U250A.0727
43				MPFB3 2601		
44				CT200A 5320		
45				C3VF 2015		
46				CGU8A 5310		
47	/	/		PMCG11 4630	/	PMCG11 4630
48	/	/		PMCRG 4630	/	PMCRG 4630
49	/	/		PMCCA3 4630	/	PMCCA3 4630
50	/	/		PMCMFC2 4630	/	PMCMFC2 4630
51				PMCAC13 4630		
52				PMCSE17 4630		
53				PMCBR13 4630		
54	V5x110 5102	V5x140 5102	V5x110 5102	V5x140 5102	V5x140 5102	V5x140 5102
55				V3.9x32 5101		
56						
57				V2.9x19 5101		
58	/	/		V3.5x9.5 5101	/	V3.5x9.5 5101
59	/	/		V5x40 5102	/	V5x40 5102
60				V3.5X13 5101		
61				V5x15-A 5102		
62				V5x25-A 5102		
63				V10x45 5102		
64				V10x80-A 5102		
65						
66				V8x30 5102		
67				V10x20A 5102		
68	/	/	D12A 5110	D12A 5110	/	D12A 5110
69				D5 5110		
70				D6 5102	/	D6 5102
71				D10A 5110		
72						
73						
74				PPD1005 4540		
75				R06A 5120		
77	CA19 5320		/	/	CA19 5320	/
78				PMD0894 4610		
79				PMCS15 4630		

