

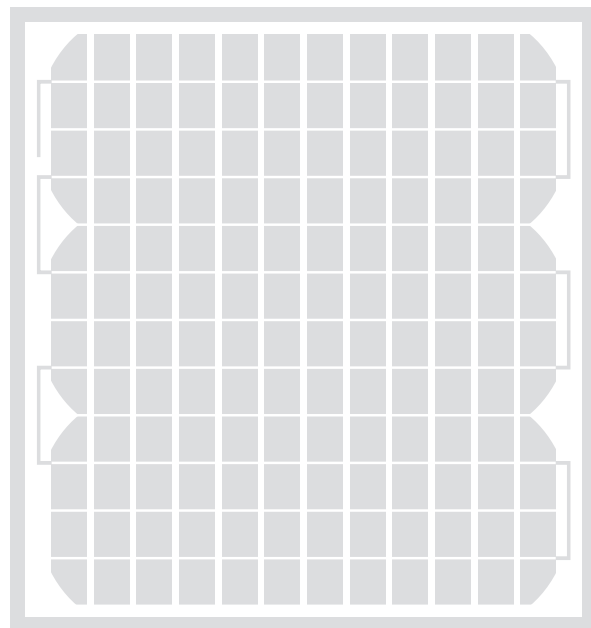
Solemyo

SYKCE

PSY24



Autonomous power system



EN - Installation and use instructions and warnings

IT - Istruzioni ed avvertenze per l'installazione e l'uso

FR - Instructions et avertissements pour l'installation et l'utilisation

ES - Instrucciones y advertencias para la instalación y el uso

DE - Anweisungen und Hinweise für die Installation und die Bedienung

PL - Instrukcje instalacji i użytkowania i ostrzeżenia

NL - Aanwijzingen en aanbevelingen voor installering en gebruik

Nice

GENERAL SAFETY WARNINGS AND PRECAUTIONS

The design and manufacture of the devices making up the Solemyo system and the information in this manual fully comply with current standards governing safety. However, incorrect installation or programming may cause serious physical injury to those working on or using the system. For this reason, during installation, always strictly observe all instructions in this manual.

If in any doubt regarding installation, do not proceed and contact the Nice Technical Assistance for clarifications.

WORKING IN SAFETY!

Warning – for personal safety it is important to observe these instructions.

Warning – Important safety instructions: keep these instructions in a safe place.

Observe the following warnings:

- make electrical connections exclusively as envisaged in this manual incorrect: connections could cause serious damage to the system.
- If the power cable in the pack is used outdoors, it must be entirely protected with special ducting suitable for the protection of electric cables.
- never touch metal parts of the sockets on the battery casing with metal objects.

Considering the risk situations that may arise during installation phases and use of the system, the devices supplied in the pack must be installed in observance of the following warnings:

- never make any modifications to part of the devices other than those specified in this manual. Operations other than as specified can cause malfunctions. The manufacturer declines all liability for damage caused by makeshift modifications to the devices.
- never place devices near to sources of heat and never expose to naked flames. This may damage system components and cause malfunctions, fire or hazardous situations.
- ensure that the devices cannot come into contact with water or other liquids. During installation ensure that no liquids penetrate the devices present.
- the device packaging material must be disposed of in full observance of current local legislation governing waste disposal.

Warning! – Keep this manual in a safe place to enable future device maintenance and disposal procedures.

1 – Description and intended use

SOLEMYO is an autonomous power system designed for Nice automations for gates and garage doors (the list of compatible automations is provided on the sheet in the product pack and can also be consulted on the website www.niceforyou.com).

Any other use is to be considered improper! The manufacturer declines all liability for damage resulting from improper use of the various devices of the system and other than as specified in this manual.

The Solemyo system is particularly suitable for power supply to automations located far from the fixed power mains.

It comprises 3 standard devices, the combination of which enables different configurations, able to store solar energy or electrical mains energy for use when required by the automation on which the system is installed.

The various system devices are available in the following packs:

- **PSY24**: the core of the system. This device can store electrical energy produced by SYP during the hours of sunlight, making it available at any time of day, including days with adverse weather conditions. The same device can also store energy from the fixed electrical mains, via SYA1. The pack contains the PSY24 battery, cables, connectors for automation connections, fixing hardware and this manual;

- **SYP**: this is a device able to convert sunlight directly into electrical energy. The pack contains a SYP photovoltaic panel, for recharging PSY24, and fixing hardware;

- **SYKCE**: this is a complete kit for autonomous photovoltaic power supply. The pack contains the PSY24 and SYP devices, cables, connectors for automation connections, fixing hardware and this manual;

- **SYA1**: this device enables periodic or emergency recharging of PSY24 via the electrical mains in a protected environment. The pack contains a SYA1 battery charger.

2 – Preliminary installation checks

To ascertain suitability of the system with respect to the specific features of the automation to be powered, the following checks should be performed as well as a check for compliance of the technical data in the chapter "**Technical characteristics**".

In the vicinity of the automation to be powered, locate the ideal point for installation of the photovoltaic panel and the location for the battery, taking into consideration the following restraints:

- a) the application limits specified in this chapter;
 - b) the maximum length of the power cable (3 m) and the cable of the photovoltaic panel (3 m);
 - c) the space available in the vicinity of the automation to be powered.
- Also check the following:
- d) ensure that the selected surfaces for installation of the two devices are solid and guarantee a stable fixture.
 - e) ensure that each device to be installed is in a sheltered location and protected against the risk of accidental impact.
 - f) in particular, for each device ensure the following:

SYP photovoltaic panel

– ensure that the selected panel installation site guarantees 100% direct exposure to sunlight (full sun) every day of the year.

– ensure that the selected panel installation site is far from vegetation, walls or other situations that may create shade, even partial, on the sensitive surfaces of the panel.

Caution! – this surface must be exposed to direct sunlight in all points; partial shade, even if small in size (for example caused by a leaf or other object) will significantly reduce the power capacity of the panel.

– check the possibility of correctly positioning and inclining the panel, with reference to the technical instructions in Chapter 4.

PSY24 battery

To ensure optimal efficiency of the battery and prolonged battery lifetime, it should be installed in a location – in the vicinity of the automation to be powered – protected against high summer temperatures and low winter temperatures.

In fact the **battery charge performance** depends on the ambient temperature where the battery is installed: optimal efficiency is obtained at medium temperatures, while efficiency is considerably reduced at low temperatures.

On the other hand, **battery lifetime** is influenced above all by high sum-

mer temperatures, which accelerate part ageing. Normally the battery average lifetime is approx. 4-5 years; this also depends on the intensity of automation use.

SYA1 battery charger

Refer to the specific chapter in device instruction manual.

3 – System application limits

VERY IMPORTANT:

- When the automation is powered by the “Solemyo” system, **it must never be connected or powered simultaneously** by the electrical mains.
- The devices SYP and SYA1, which supply energy to PSY24, are alternatives and cannot be used simultaneously.

• for photovoltaic power supply (with SYP)

Graphs A, B and C indicate the solar power available, on the basis of the location's latitude, at all times of the calendar year, with the automation powered exclusively using PSY24 and SYP devices. The graph curve is generated taking into account the quantity of daylight recorded at a specific latitude within a year.

To obtain the maximum possible number of cycles per day, proceed as follows:

01. On graph A, B or C (depending on the latitude of your system) identify the period of the year concerned, then locate value “Cb” on the vertical axis, corresponding to this period, as shown in the example in the graph.
02. Then use value “Cb” to make the calculations as stated in the sheet in the product pack.

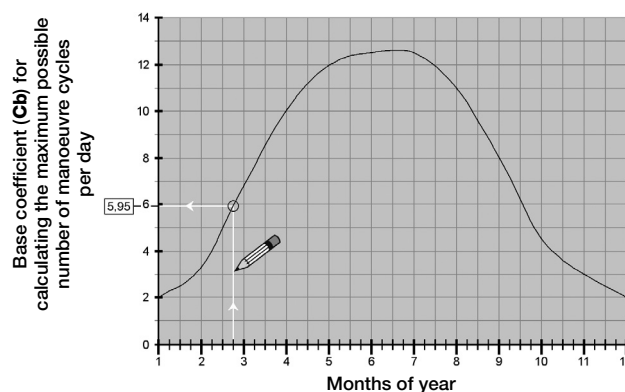
Warning – During the day, if the photovoltaic panel remains in the shade for a certain period of the day (in particular from 10 am to 2 pm) the maximum possible number of operating cycles decreases in proportion to the hours without panel exposure to sunlight.

Warning – To increase the maximum possible number of cycles per day, automation consumption must be reduced. For this reason, the “Standby” function must be programmed on the automation control units, setting the most efficient level (refer to the automation instruction manual).

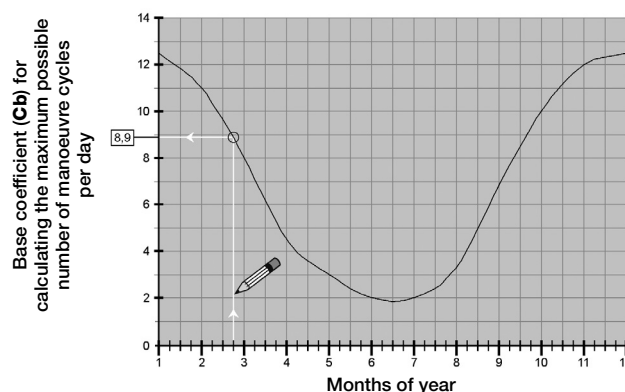
• for mains power supply (with SYA1)

The PSY24 battery must be recharged via the mains in a protected environment, previously detaching PSY24 from the SYP solar panel and the automation.

GRAPH A - For countries 45° NORTH of the Equator



GRAPH B - For countries 45° SOUTH of the Equator



GRAPH C - For countries on the Equator

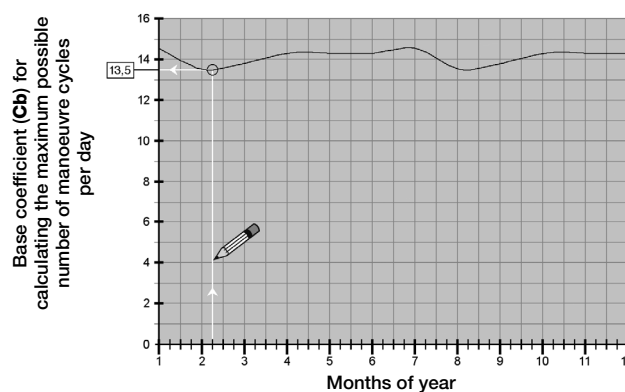
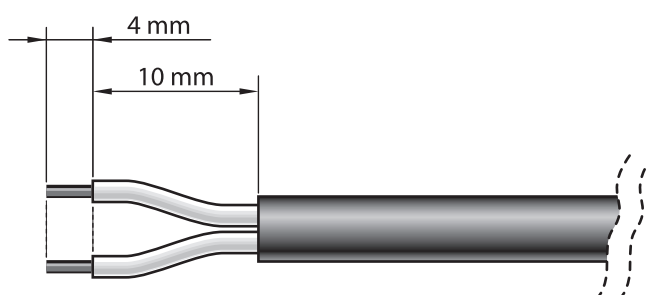


Fig. A



4 – Component assembly and connections

STEP 1 – SYP Optimal photovoltaic panel positioning

As a general rule, the panel must be positioned so that it can be constantly illuminated by sunlight during the day and throughout the year. This means that its horizontal position and vertical angle must be calculated precisely on the basis of the location where it is to be installed.

Therefore, after performing the checks specified in chapter 2, and considering the various options for panel installation as shown in **fig. 6**, proceed as follows:

• **Ensure the correct position of the panel on the horizontal plane** as follows:

a) In the installation site, determine the cardinal points **NORTH** and **SOUTH**, with the aid of a compass or a geographical map of the location.

b) Then position the panel in the direction **NORTH** or **SOUTH**, according to the following:

– if the installation site is **in a country North of the equator** (United States; Europe; Russia; etc.) the panel must be positioned **exactly SOUTH**;

– if the installation site is **in a country South of the equator** (Latin America; Australia; Indonesia, etc.) the panel must be positioned **exactly NORTH**.

For further information, refer to **fig. 4**.

• **Ensure the correct position of the panel on the vertical plane** as follows:

Considering the fact that maximum efficiency of the panel is also required in the winter period, i.e. when the daily hours of sunlight are fewer than in the Summer, the panel should be positioned at an angle that receives the sun rays at right angles (frontal) to the sensitive surface.

This angle corresponds to the latitude of the location and can be read on any commercial geographical map. For example, Madrid has a latitude of 40°; Venice 45°; or London approx 50° etc. For further information, refer to **fig. 5**.

STEP 2 – Fixing the SYP photovoltaic panel in the selected site

After establishing the precise position of the panel, fit all components of the support bracket according to the instructions in **fig. 3**.

Then fix the panel bracket to the selected surface as shown in **fig. 6**.

STEP 3 – Fixing the PSY24 battery in the selected site

After performing the checks specified in chapter 2 establishing the precise position for the battery, fix the latter onto the selected surface as shown in **fig. 13**. **Note** – For fixture, use two screws on the underside, only if the battery is to be secured in a fixed position and not removable.

STEP 4 – Cable routing

IMPORTANT! – If the power cable in the pack is used outdoors, it must be entirely protected with special ducting suitable for the protection of electric cables.

After fixing the panel and battery, route the panel cable through the tube or protection ducting through to the battery.

With reference to the instruction manual of the automation to be powered, remove the control unit protection cover. Then pass the end of the power cable (with wires stripped) through the automation (where the other cables are routed) and through the dedicated cable clamp. Then route the cable through the protection ducting (if present) through to the battery.

Caution! – Do not connect the power cable to the control unit; leave access to the control unit open and leave the cable clamp loose.

STEP 5 – Assembly of “L” socket on the SYP photovoltaic panel cable

If the cable is too long, it can be shortened, taking care to strip the wires so that their length is equal to the values specified in the **fig. A** (**caution!** – different lengths may impair subsequent assembly of the socket).

Then proceed with assembly of the **GREY** “L” type socket on the end of the panel cable, as follows:

01. Insert the various elements of the socket on the cable, taking care to observe the sequence as shown in **fig. 7**;

CAUTION! – Do not modify the electric jumper on the connector (**fig. 8**).

02. Using a slotted screwdriver, attach the **blue wire to terminal n° 1** on the connector and **brown wire to the earthing terminal (4)** (**fig. 9**):

Note – The reference numbers and symbols are printed on the connector below the terminals and on the opposite side.

03. After fixing the two wires, insert the connector in its casing (**fig. 10**).

Important – The correct position of the connector is that with the earthing symbol in the lower position (see **fig. 10**);

04. Then pull the cable outwards from the socket and insert the seal and washer (**fig. 11-a-b**). Lastly, tighten the cable clamp (**fig. 11-c**) using a wrench, to guarantee completely sealed closure.

05. After assembling the socket, position the seal supplied on the connection side (**fig. 12**).

STEP 6 – Assembly of “L” socket on the power cable

If the cable is too long, it can be shortened, taking care to strip the wires so that their length is equal to the values specified in the **fig. A** (**Caution!** – different lengths may impair subsequent assembly of the socket).

Then proceed with assembly of the **BLACK** “L” type socket on the end of the power cable, as follows:

01. Insert the various elements of the socket on the cable, taking care to observe the sequence as shown in **fig. 7**;

CAUTION! – Do not modify the electric jumper on the connector (**fig. 8**).

02. Using a slotted screwdriver, attach the **blue wire to terminal n° 1** on the connector and the **brown wire to the earthing terminal (4)** (**fig. 9**):

Note – The reference numbers and symbols are printed on the connector below the terminals and on the opposite side.

03. After fixing the two wires, insert the connector in its casing (**fig. 10**).

Important – The correct position of the connector is that with the earthing symbol in the lower position (see **fig. 10**);

04. Then pull the cable outwards from the socket and insert the seal and washer (**fig. 11-a-b**). Lastly, tighten the cable clamp (**fig. 11-c**) using a wrench, to guarantee a completely sealed closure.

05. After assembling the socket, position the seal supplied on the connection side (**fig. 12**).

STEP 7 – Connecting the SYP photovoltaic panel to the PSY24 battery

To connect the panel to the battery, proceed as follows:

01. Connect the **GREY** “L” type socket to the “**IN**” connector on the battery (**fig. 14**);

02. To select the most suitable connection configuration for the connection of all system devices, refer to the example shown in **fig. 15**. **Note** – If frequent disconnection of the battery plug is envisaged, use the screw in **fig. 16-a**. Otherwise use the screw in **fig. 16-b**.

STEP 8 – Connecting the PSY24 battery to the automation

CAUTION! – For safety reasons, the operations described in **Step 8** must be performed exclusively by a skilled and qualified technician.

To connect the battery to the automation, proceed as follows:

01. Access the control unit of the automation and insert the power cable connector in the buffer battery socket on the control unit. *To locate this socket, refer to the instruction manual of the automation to be powered.*

02. Connect the **BLACK** “L” type socket to the **OUT** connector on the battery (**fig. 17**);

03. Fix the socket by means of the safety screws supplied, with reference to **fig. 18**. **Note** – If frequent disconnection of the connector from the battery is envisaged, use the screw in **fig. 16-a**. Otherwise use the screw in **fig. 16-b**.

5 – General notes on system use

In general, when the PSY24 battery is not sufficiently charged, the energy reserve will run out in a few days. For this reason, after installation and connecting the product to the automation, the system may not be operative immediately (this depends on the fact that the battery may be discharged due to the natural process of discharging over time, even when stored).

The PSY24 battery enables a finite number of automation manoeuvre cycles (refer to the information sheet in the pack). Therefore, if not constantly recharged using SYP or occasionally by means of SYA1, the *battery low* signal may be activated, with sequential flashing of the Led and a series of *beeps* (this signal may be temporary or permanent).

In particular, when powered by SYP, recharging may be influenced by atmospheric conditions, or intense use of the automation (when the maximum admissible number of manoeuvre cycles is exceeded). When this occurs, PSY24 may indicate the *battery low* status.

PSY24 charging can be restored in one of the following ways:

- A)** - By limiting use of the automation until lighting conditions improve to enable the battery to recharge naturally, via the connection to the SYP photovoltaic panel.
To accelerate the recharging process, disconnect PSY24 from the automation control unit and wait for a few days to enable the SYP photovoltaic panel to store sufficient solar energy to recharge the PSY24 battery.
- B)** - Disconnect the PSY24 battery from the automation control unit and the SYP solar panel (if present). Then recharge PSY24 using the SYA1 battery charger connected to the mains in a protected environment.

When the PSY24 battery is recharging (via the SYP photovoltaic panel or SYA1 battery charger) the red led emits 2 short flashes every 5 seconds. Therefore check that this signal is present, also after installation, when the panel is exposed to the sunlight.

The “*battery low*” warning signal is cleared when the system reaches sufficient electrical autonomy to enable automation operation.

If the automation is not used for extended periods, disconnect the automation and photovoltaic panel connectors from the battery, and store the latter in a cool and dry location.

WHAT TO DO IF... (troubleshooting guide)

- **The automation control unit does not turn on and the PSY24 battery does not supply any signal.**

This may depend on incorrect connections or electrical wiring not fully inserted; otherwise the PSY24 battery may be completely discharged, without sufficient energy to indicate the *battery low* status.

In this case, follow the quick recharging procedure, using the SYA1 battery charger, or wait until the SYP photovoltaic panel, correctly connected, starts to recharge the PSY24 battery.

- **The PSY24 battery tends to discharge too quickly.**

This may be due to excessive ageing of the battery, in which case replacement is recommended; otherwise it may be due to excessively intensive use of the automation, over the application limits envisaged in this manual, found in Chapter 3.

- **The PSY24 battery no longer recharges.**

This may be due to a malfunction of the SYP photovoltaic panel caused by incorrect installation, incorrect cable connections, or malfunction of the PSY24 battery.

PERIODIC MAINTENANCE OPERATIONS

In general, these devices do not require special maintenance; however, regular checks over time will ensure system efficiency.

Therefore, to ensure correct maintenance, check every 6 months that the SYP photovoltaic panel has not accumulated dirt (leaves, sand, etc.) as this may reduce efficiency.

Also check whether PSY24 battery replacement is required, as the ageing process reduces autonomy over time.

CAUTION – The PSY24 battery must be replaced exclusively by skilled and qualified personnel.

DISPOSAL

System device disposal

These devices are an integral part of the automation and therefore must be disposed together with the latter.

As in installation, also at the end of lifetime of these devices, the disassembly and scrapping operations must be performed by qualified personnel.

These devices comprise various types of materials: some of which can be recycled while others must be scrapped. Seek information on the recycling and disposal systems envisaged by the local regulations in your area for the relative device category.

Caution! – some parts of these devices may contain polluting or hazardous substances which, if disposed of into the environment, may cause serious damage to the environment or physical health.

As indicated by the symbol alongside, disposal of these devices in domestic waste is strictly prohibited. Separate the waste into categories for disposal, according to the methods envisaged by current legislation in your area, or return the devices to the retailer when purchasing new equivalent versions.



Caution! – local legislation may envisage serious fines in the event of abusive disposal of these devices.

PSY24 Battery disposal

Caution! – The battery contains pollutant substances; after removing, never dispose of as standard waste. Dispose of or recycle according to current local standards.

1 – Descrizione e destinazione d'uso

SOLEMYO è un sistema autonomo di alimentazione destinato agli automatismi Nice per cancelli e portoni da garage (la lista degli automatismi predisposti è riportata nel foglio contenuto nella confezione ed è consultabile anche nel sito www.niceforyou.com).

Ogni altro uso è da considerarsi improprio! Il costruttore non risponde dei danni risultanti da un uso improprio dei vari dispositivi del sistema, diverso da quanto previsto nel presente manuale.

Il sistema Solemyo è particolarmente indicato per alimentare automazioni collocate lontano dalla rete elettrica fissa.

È composto da 3 dispositivi base, la cui combinazione permette configurazioni diverse, in grado di immagazzinare energia solare oppure energia dalla rete elettrica, per utilizzarla quando è richiesta dall'automazione sulla quale è installato il sistema.

I vari dispositivi del sistema sono disponibili nelle seguenti confezioni:

- **PSY24**: è il cuore del sistema. Il dispositivo può immagazzinare l'energia elettrica prodotta da SYP durante le ore di sole, rendendola disponibile in ogni ora del giorno, compresi i giorni con cattivo tempo. Lo stesso dispositivo può immagazzinare anche l'energia elettrica dalla rete fissa, attraverso SYA1. La confezione contiene l'accumulatore PSY24, i cavi, i connettori per i collegamenti all'automazione, la minuteria per il fissaggio e il presente manuale;

- **SYP**: è un dispositivo in grado di convertire la luce solare direttamente in energia elettrica. La confezione contiene un pannello fotovoltaico SYP per la ricarica di PSY24, e la minuteria per il fissaggio;

- **SYKCE**: è un kit completo per l'alimentazione autonoma fotovoltaica. La confezione contiene i dispositivi PSY24, SYP, i cavi, i connettori per i collegamenti all'automazione, la minuteria per il fissaggio e il presente manuale;

- **SYA1**: è un dispositivo che consente la ricarica periodica o di emergenza di PSY24, da rete elettrica fissa e in ambiente protetto. La confezione contiene un carica batterie SYA1.

2 – Verifiche preliminari all'installazione

Per stabilire l'idoneità del sistema rispetto alle caratteristiche dell'automatismo da alimentare, effettuare le verifiche descritte in questo capitolo e controllare la loro conformità anche in base ai dati tecnici riportati nel capitolo "Caratteristiche tecniche".

In prossimità dell'automatismo da alimentare, individuare il punto più adatto per installare il pannello fotovoltaico e quello più adatto per installare l'accumulatore, tenendo in considerazione i seguenti vincoli:

- limiti d'impiego descritti in questo capitolo;
- la lunghezza massima del cavo di alimentazione (3 m) e di quello del pannello fotovoltaico (3 m);
- lo spazio disponibile in prossimità dell'automatismo da alimentare.

Inoltre, effettuare le seguenti verifiche:

- verificare che le superficie scelte per fissare i due dispositivi siano di materiale solido e possano garantire un fissaggio stabile.
- verificare che ciascun dispositivo da installare sia collocato in una posizione protetta da urti accidentali.
- in particolare, per ciascun dispositivo, verificare quanto segue:

SYP pannello fotovoltaico

- verificare che il luogo prescelto per l'installazione del pannello garantisca il 100% dell'insolazione diretta (pieno sole), in qualsiasi giornata dell'anno.
- verificare che il punto prescelto per l'installazione del pannello sia lontano da vegetazione, muri o altre situazioni che possano creare zone d'ombra, anche parziali, sulla sua superficie sensibile. **Attenzione! – questa superficie deve essere illuminata dai raggi solari in modo diretto e in ogni punto; un'ombra parziale, anche se di piccole dimensioni (dovuta, ad esempio, a una foglia o ad altro), riduce sensibilmente la capacità energetica del pannello.**

– verificare la possibilità di **orientare** e **inclinare** correttamente il pannello, facendo riferimento alle istruzioni riportate nel capitolo 4.

PSY24 accumulatore

Per ottenere dall'accumulatore un'efficienza ottimale e una lunga durata è preferibile installare quest'ultimo, in un punto – in prossimità dell'automatismo da alimentare – che possa proteggerlo dalle alte temperature estive e dalle basse temperature invernali.

Infatti, **il rendimento della carica dell'accumulatore** dipende dalla temperatura dell'ambiente in cui questo è installato: **l'efficienza ottimale si ottiene alle medie temperature**, mentre si riduce sensibilmente alle basse temperature.

**AVVERTENZE E PRECAUZIONI GENERALI
PER LA SICUREZZA**

La progettazione, la fabbricazione dei dispositivi che compongono il sistema Solemyo e le informazioni contenute nel presente manuale rispettano pienamente le normative vigenti sulla sicurezza. Ciò nonostante, un'installazione errata può causare gravi ferite alle persone che eseguono il lavoro e a quelle che useranno l'impianto. Per questo motivo, durante l'installazione, è importante seguire attentamente tutte le istruzioni riportate in questo manuale.

Non procedere con l'installazione se si hanno dubbi di qualunque natura e richiedere eventuali chiarimenti al Servizio Assistenza Nice.

OPERARE IN CONDIZIONI DI SICUREZZA!

Attenzione – Per la sicurezza delle persone è importante rispettare queste istruzioni.

Attenzione – Istruzioni importanti per la sicurezza: quindi, conservare queste istruzioni.

Rispettare le seguenti avvertenze:

- effettuare esclusivamente i collegamenti elettrici previsti nel presente manuale: un'errata esecuzione dei collegamenti potrebbe causare gravi danni al sistema.
- se il cavo di alimentazione presente nell'imballo è utilizzato in ambiente esterno, è obbligatorio proteggerlo interamente con un tubo specifico per la protezione dei cavi elettrici.
- non toccare con oggetti metallici le parti metalliche delle prese che sono sull'involucro dell'accumulatore.

Considerando le situazioni di rischio che possono verificarsi durante le fasi d'installazione e di uso del sistema, è necessario installare i dispositivi presenti nella confezione osservando le seguenti avvertenze:

- non eseguire modifiche su nessuna parte dei dispositivi, se non quelle previste nel presente manuale. Operazioni non permesse possono solo causare malfunzionamenti. Il costruttore declina ogni responsabilità per danni derivanti da dispositivi modificati arbitrariamente.
- non mettere i dispositivi vicino a fonti di calore né esporli a fiamme libere. Tali azioni possono danneggiarli ed essere causa di malfunzionamenti, incendio o situazioni di pericolo.
- evitare che i dispositivi possano venire immersi in acqua o in altre sostanze liquide. Durante l'installazione evitare che dei liquidi possano penetrare all'interno dei dispositivi.
- il materiale dell'imballaggio dei dispositivi deve essere smaltito nel pieno rispetto della normativa presente a livello locale.

Attenzione! – Conservare con cura questo manuale per facilitare eventuali interventi futuri di manutenzione o di smaltimento dei dispositivi.

Invece, la **longevità dell'accumulatore** è influenzata soprattutto dalle alte temperature estive che accelerano l'invecchiamento delle parti. Normalmente la vita media delle batterie è di circa 4-5 anni; questa dipende anche dall'intensità con la quale si usa l'automazione.

SYA1 carica batteria

Fare riferimento al capitolo specifico presente nel manuale istruzioni del dispositivo.

3 - Limiti d'impiego del sistema

MOLTO IMPORTANTE

- Quando l'automazione è alimentata dal sistema "Solemyo", **non deve essere collegata e non deve essere alimentata contemporaneamente** anche dalla rete elettrica.

- I dispositivi SYP e SYA1, che forniscono energia al dispositivo PSY24, sono **alternativi tra loro e non possono essere impiegati contemporaneamente**.

• per l'alimentazione fotovoltaica (con SYP)

I grafici A, B e C indicano l'energia solare disponibile, in base alla latitudine del luogo, in ogni momento dell'anno solare, con l'automazione alimentata esclusivamente tramite la coppia di dispositivi PSY24 e SYP. La curva di ogni grafico è generata prendendo in considerazione la quantità di luce giornaliera registrata a una determinata latitudine nell'arco di un anno.

Per ottenere il numero massimo possibile di cicli al giorno, procedere nel modo seguente.

01. Individuare sul grafico A, B o C (secondo la latitudine in cui si trova il vostro impianto) il periodo dell'anno che interessa; quindi trovare sull'asse verticale il **valore "Cb"** che corrisponde a questo periodo, operando come indicato nell'esempio riportato nel grafico.

02. Infine, utilizzare questo **valore "Cb"** per eseguire i calcoli riportati nel foglio contenuto nella confezione.

Attenzione – Se durante la giornata il pannello fotovoltaico rimane in ombra per una parte del tempo (in particolare, dalle ore 10.00 alle ore 14.00), il numero massimo possibile di cicli di manovre si riduce in funzione delle ore mancanti di esposizione del pannello al sole.

Attenzione – Per aumentare il numero massimo possibile di cicli al giorno, è fondamentale ridurre i consumi dell'automazione. Per questo motivo, sulle centrali di comando delle automazioni è importante programmare la funzione "Stand-by" impostando il livello più efficace (fare riferimento al manuale dell'automazione).

• per l'alimentazione da rete elettrica fissa (con SYA1)

La ricarica dell'accumulatore PSY24 da rete elettrica fissa va fatta in ambiente protetto, scollegando preventivamente PSY24 dal pannello solare SYP e dall'automazione.

INSTALLAZIONE DEL SISTEMA

4 - Assemblaggio e collegamento dei vari componenti

PASSO 1 – Posizione ottimale del pannello fotovoltaico SYP

In generale, il pannello deve essere posizionato in modo che possa essere illuminato costantemente dal sole, in tutto l'arco della giornata e in ogni periodo dell'anno. Questo lo si ottiene orientando scrupolosamente il pannello, sia sul piano orizzontale sia sul piano verticale, calcolando queste posizioni in funzione del luogo in cui il pannello è installato.

Quindi, dopo aver effettuato le verifiche riportate nel capitolo 2 e aver considerato le varie possibilità di installazione del pannello riportate in **fig. 6**, effettuare le seguenti operazioni:

• **Definire il corretto orientamento del pannello sul piano orizzontale**, procedendo nel modo seguente:

a) Sul luogo dell'installazione, individuare i punti cardinali del **NORD** e del **SUD**, aiutandosi con una bussola o con una cartina geografica del luogo.

b) Infine, orientare il pannello in direzione **NORD** o **SUD**, in base alle seguenti valutazioni:

– se il luogo dell'installazione si trova in un **Paese a Nord dell'equatore** (Stati Uniti; Europa; Russia; ecc.) il pannello deve essere orientato **esattamente in direzione SUD**;

– se il luogo dell'installazione si trova in un **Paese a Sud dell'equatore**

GRAFICO A - Per i Paesi che sono a 45° NORD dell'Equatore

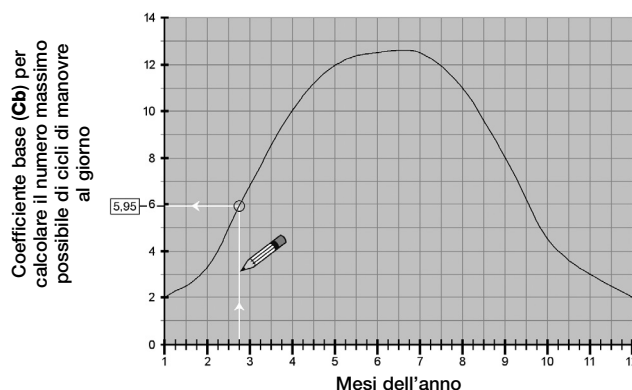


GRAFICO B - Per i Paesi che sono a 45° SUD dell'Equatore

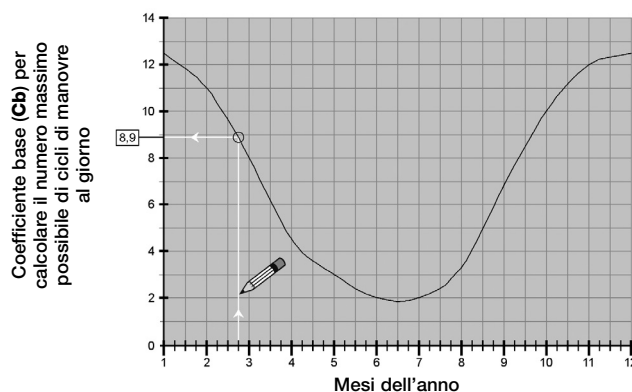


GRAFICO C - Per i Paesi che sono all'Equatore

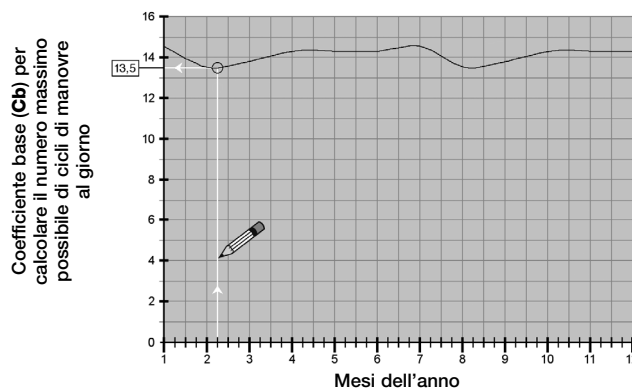
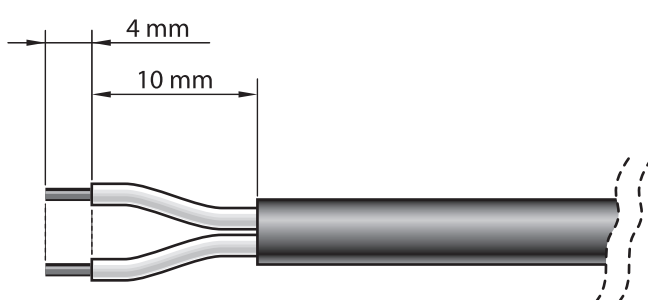


Fig. A



(America Latina; Australia; Indonesia; ecc.) il pannello deve essere orientato **esattamente in direzione NORD**.

Per maggiore chiarezza, fare riferimento alla **fig. 4**.

• **Definire il corretto orientamento del pannello sul piano verticale**, procedendo nel modo seguente:

Considerando che è preferibile ottenere la massima efficienza del pannello nel periodo invernale, quando cioè le ore giornaliere di luce solare sono minori che nell'estate, occorre orientare il pannello con un'inclinazione tale da ricevere i raggi del sole perpendicolari (frontali) alla sua superficie sensibile.

Questa inclinazione corrisponde alla **latitudine del luogo** e può essere rilevata in qualsiasi cartina geografica: ad esempio, Madrid ha latitudine di 40°; Venezia di 45°; Londra di circa 50° ecc. Per maggiore chiarezza, fare riferimento alla **fig. 5**.

PASSO 2 – Fissaggio del pannello fotovoltaico SYP nel punto prescelto

Dopo aver stabilito con esattezza la posizione del pannello, assemblare tutti i componenti della sua staffa di supporto, seguendo le istruzioni riportate in **fig. 3**.

Infine, fissare la staffa del pannello sulla superficie prescelta, come mostrato in **fig. 6**.

PASSO 3 – Fissaggio dell'accumulatore PSY24 nel punto prescelto

Dopo aver effettuato le verifiche riportate nel capitolo 2 e stabilito con esattezza la posizione in cui collocare l'accumulatore, fissare quest'ultimo sulla superficie prescelta, come mostrato in **fig. 13**. **Nota** – Per il fissaggio, utilizzare le 2 viti posizionate in basso soltanto se si desidera ancorare l'accumulatore in modo fisso e non asportabile.

PASSO 4 – Passaggio dei cavi

IMPORTANTE! – Se il cavo di alimentazione presente nell'imballo è utilizzato in ambiente esterno, è obbligatorio proteggerlo **interamente** con un tubo specifico per la protezione dei cavi elettrici.

Dopo aver fissato il pannello e l'accumulatore, passare il cavo del pannello attraverso il tubo o la canalina di protezione, portandolo fino all'accumulatore. Facendo riferimento al manuale istruzioni dell'automatismo da alimentare, rimuovere il coperchio di protezione della Centrale di comando. Quindi, passare attraverso l'automatismo (dove passano gli altri cavi) l'estremità del cavo di alimentazione con i fili spelati e farlo uscire dall'automatismo attraverso il passacavo dedicato. Infine, passare il cavo attraverso l'eventuale canalina di protezione portandolo fino all'accumulatore.

Attenzione! – Non collegare il cavo di alimentazione alla Centrale; lasciare aperto l'accesso alla Centrale e lasciare allentato il passacavo.

PASSO 5 – Assemblaggio della presa “a pipetta” sul cavo del pannello fotovoltaico SYP

Se il cavo è eccessivamente lungo, si può accorciare facendo attenzione a spelare i fili in modo che la loro lunghezza risulti uguale a quelle riportate nella **fig. A (attenzione! – lunghezze diverse pregiudicano il successivo assemblaggio della presa)**.

Quindi, procedere ad assemblare la presa “a pipetta” in **colore GRIGIO** all'estremità del cavo del pannello, nel modo seguente:

01. Infilare sul cavo i vari elementi che compongono la presa, rispettando l'ordine mostrato in **fig. 7**;

ATTENZIONE! – Non modificare il ponticello elettrico presente sul connettore (**fig. 8**).

02. Utilizzando un cacciavite a taglio, fissare sul connettore il **filo Blu al morsetto n° 1** e il **filo Marrone al morsetto della presa a terra (4)** (**fig. 9**):

Nota – I numeri e i simboli di riferimento sono stampati sul connettore, in basso rispetto ai morsetti e sulla faccia opposta.

03. Dopo aver fissato i due fili, procedere ad inserire il connettore nella sua protezione (**fig. 10**).

Importante – La posizione corretta del connettore è quella con il simbolo della presa a terra posizionato verso il basso (vedere la **fig. 10**);

04. Quindi, tirare il cavo verso l'esterno della presa e inserire in questa la guarnizione e la rondella (**fig. 11-a-b**). Infine, avvitare il pressacavo (**fig. 11-c**) usando una chiave, in modo da ottenere una chiusura completamente ermetica.

05. Dopo aver assemblato la presa, posizionare sulla faccia di connessione

di quest'ultima la guarnizione in dotazione (**fig. 12**).

PASSO 6 – Assemblaggio della presa “a pipetta” sul cavo di alimentazione

Se il cavo è eccessivamente lungo, si può accorciare facendo attenzione a spelare i fili in modo che la loro lunghezza risulti uguale a quelle riportate nella **fig. A (attenzione! – lunghezze diverse pregiudicano il successivo assemblaggio della presa)**.

Quindi, procedere ad assemblare la presa “a pipetta” in **colore NERO** all'estremità del cavo di alimentazione, nel modo seguente:

01. Infilare sul cavo i vari elementi che compongono la presa, rispettando l'ordine mostrato in **fig. 7**;

ATTENZIONE! – Non modificare il ponticello elettrico presente sul connettore (**fig. 8**).

02. Utilizzando un cacciavite a taglio, fissare sul connettore il **filo Blu al morsetto n° 1** e il **filo Marrone al morsetto della presa a terra (4)** (**fig. 9**):

Nota – I numeri e i simboli di riferimento sono stampati sul connettore, in basso rispetto ai morsetti e sulla faccia opposta.

03. Dopo aver fissato i due fili, procedere ad inserire il connettore nella sua protezione (**fig. 10**).

Importante – La posizione corretta del connettore è quella con il simbolo della presa a terra posizionato verso il basso (vedere la **fig. 10**);

04. Quindi, tirare il cavo verso l'esterno della presa e inserire in questa la guarnizione e la rondella (**fig. 11-a-b**). Infine, avvitare il pressacavo (**fig. 11-c**) usando una chiave, in modo da ottenere una chiusura completamente ermetica.

05. Dopo aver assemblato la presa, posizionare sulla faccia di connessione di quest'ultima la guarnizione in dotazione (**fig. 12**).

PASSO 7 – Collegamento del pannello fotovoltaico SYP all'accumulatore PSY24

Per collegare il pannello all'accumulatore, procedere nel modo seguente:

01. Connettere la presa “a pipetta” in **colore GRIGIO** alla presa “IN” sull'accumulatore (**fig. 14**);

02. Fissare la presa con la vite di sicurezza in dotazione, facendo riferimento alla **fig. 15**. **Nota** – Se si prevede di scollegare spesso la presa dall'accumulatore, utilizzare la vite di **fig. 16-a**. In caso contrario, utilizzare la vite di **fig. 16-b**.

PASSO 8 – Collegamento dell'accumulatore PSY24 all'automatismo

ATTENZIONE! – Per questioni di sicurezza, le operazioni descritte in questo Passo 8 devono essere eseguite esclusivamente da un tecnico qualificato e competente.

Per collegare l'accumulatore all'automatismo, procedere nel modo seguente:

01. Accedere alla Centrale di comando dell'automatismo ed inserire il connettore del cavo di alimentazione nella presa destinata alla batteria tampone, presente sulla Centrale. Per individuare questa presa, fare riferimento al manuale istruzioni dell'automatismo da alimentare.

02. Connettere la presa “a pipetta” in **colore NERO** alla presa “OUT” sull'accumulatore (**fig. 17**);

03. Fissare la presa con la vite di sicurezza in dotazione, facendo riferimento alla **fig. 18**. **Nota** – Se si prevede di scollegare spesso la presa dall'accumulatore, utilizzare la vite di **fig. 16-a**. In caso contrario, utilizzare la vite di **fig. 16-b**.

5 – Note generali sull'uso del sistema

In generale, quando l'accumulatore PSY24 non è adeguatamente ricaricato, esaurisce la sua riserva di energia entro pochi giorni. Per questo motivo, al termine dell'installazione, dopo aver collegato il sistema all'automatismo, l'impianto potrebbe non essere operativo subito (l'accumulatore potrebbe essere scarico a causa del normale processo di autoscarica che avviene nel tempo, anche quando il prodotto è a magazzino).

L'accumulatore PSY24 consente all'automazione un numero finito di cicli di manovre (fare riferimento al foglio contenuto nella confezione). Pertanto, se non è ricaricato costantemente con SYP o saltuariamente con SYA1 può segnalare lo stato di *batteria scarica* con dei lampeggi ciclici del Led e dei *beep* acustici (la segnalazione può essere temporanea o permanente).

In particolare, quando è alimentato con SYP la ricarica può essere influenzata sia dalle condizioni atmosferiche, sia dall'uso intenso dell'automazione (quando si supera il numero massimo possibile dei cicli di manovre). Quando ciò avviene, PSY24 potrebbe segnalare lo stato di *batteria scarica*.

la ricarica di PSY24 può essere ripristinata con una delle seguenti modalità:

A) - Limitare l'uso dell'automazione in attesa che migliorino le condizioni di insolazione, permettendo così la ricarica dell'accumulatore in modo naturale, sfruttando il collegamento presente al pannello fotovoltaico SYP.

Per accelerare il processo di ricarica, scollegare PSY24 dalla centrale di comando dell'automazione e attendere qualche giorno affinché il pannello fotovoltaico SYP riceva sufficiente energia solare per ricaricare l'accumulatore PSY24.

B) - Scollegare l'accumulatore PSY24 dalla Centrale di comando dell'automazione e dal pannello solare SYP (se presente). Quindi eseguire la ricarica di PSY24 utilizzando in ambiente protetto il carica batteria da rete fissa SYA1.

Quando l'accumulatore PSY24 è in ricarica (da pannello fotovoltaico SYP o da carica batteria SYA1), il Led rosso emette 2 brevi lampeggi ogni 5 secondi. Verificare che questa segnalazione sia presente anche dopo l'installazione, quando il pannello è illuminato dal sole.

La segnalazione di *batteria scarica* termina quando il sistema raggiunge una sufficiente autonomia elettrica per far funzionare l'automazione.

Se l'automazione non viene usata per lunghi periodi si consiglia di scollegare dall'accumulatore i connettori dell'automatismo e del pannello fotovoltaico, e di custodire l'accumulatore in un luogo fresco e asciutto.

COSA FARE SE... (guida alla risoluzione dei problemi)

• **La Centrale di comando dell'automatismo non si accende e l'accumulatore PSY24 non da nessuna segnalazione.**

Questo potrebbe dipendere dai collegamenti non corretti o dai fili elettrici non perfettamente inseriti; oppure l'accumulatore PSY24 potrebbe essere completamente scarico e non avere l'energia sufficiente per segnalare lo stato di *batteria scarica*.

In questo caso è necessario effettuare una ricarica rapida usando il carica batteria SYA1, oppure attendere che il pannello fotovoltaico SYP, correttamente collegato, cominci a ricaricare l'accumulatore PSY24.

• **L'accumulatore PSY24 tende a scaricarsi troppo velocemente.**

Questo potrebbe dipendere da un invecchiamento eccessivo dell'accumulatore per cui sarebbe opportuno sostituirlo; oppure la causa potrebbe essere un uso troppo intensivo dell'automazione, oltre i limiti d'impiego previsti in questo manuale, nel capitolo 3.

• **La accumulatore PSY24 non si ricarica più.**

Questo potrebbe dipendere da un malfunzionamento del pannello fotovoltaico SYP, a causa di una sua errata installazione, oppure da un collegamento errato dei cavi, oppure da un malfunzionamento dell'accumulatore PSY24.

INTERVENTI DI MANUTENZIONE PERIODICA

In generale, i dispositivi del sistema non necessitano di manutenzioni particolari; tuttavia, un controllo regolare nel tempo consente di mantenere in efficienza l'impianto.

Quindi, per effettuare una manutenzione corretta, verificare ogni 6 mesi che il pannello fotovoltaico SYP non abbia accumulato sporcizia (foglie, sabbia, ecc.): questa potrebbe diminuire l'efficienza.

Inoltre, è necessario verificare se è il caso di sostituire l'accumulatore PSY24 che, per effetto dell'invecchiamento, potrebbe ridurre nel tempo la sua autonomia.

ATTENZIONE – L'eventuale sostituzione dell'accumulatore PSY24 deve essere eseguita esclusivamente da personale qualificato ed esperto.

SMALTIMENTO

Smaltimento dei dispositivi del sistema

I presenti dispositivi sono parte integrante dell'automazione, e dunque, devono essere smaltiti insieme con essa.

Come per le operazioni d'installazione, anche al termine della vita di questi dispositivi, le operazioni di smantellamento devono essere eseguite da personale qualificato.

Questi dispositivi sono costituiti da vari tipi di materiali: alcuni possono essere riciclati, altri devono essere smaltiti. Informatevi sui sistemi di riciclaggio o smaltimento previsti dai regolamenti vigenti sul vostro territorio, per la categoria di questi dispositivi.

Attenzione! – alcune parti dei dispositivi possono contenere sostanze inquinanti o pericolose che, se disperse nell'ambiente, possono provocare effetti dannosi sull'ambiente stesso e sulla salute umana.

Come indicato dal simbolo a lato, è vietato gettare questi dispositivi nei rifiuti domestici. Eseguire quindi la "raccolta separata" per lo smaltimento, secondo i metodi previsti dai regolamenti vigenti sul vostro territorio, oppure riconsegnare i dispositivi al venditore nel momento dell'acquisto di nuovi dispositivi equivalenti.



Attenzione! – i regolamenti vigenti a livello locale possono prevedere pesanti sanzioni in caso di smaltimento abusivo di questi dispositivi.

Smaltimento dell'accumulatore PSY24

Attenzione! – L'accumulatore contiene sostanze inquinanti e, dopo averlo rimosso, non deve essere buttato nei rifiuti comuni. Occorre smaltirlo o riciclarlo utilizzando i metodi previsti dalle normative vigenti nel vostro territorio.

1 – Description et application

SOLEMYO est un système autonome d'alimentation destiné aux automatismes Nice pour portails et portes de garage (la liste des automatismes compatibles figure dans le feuillet contenu dans l'emballage et est disponible également sur le site www.niceforyou.com).

Toute autre utilisation doit être considérée comme impropre ! Le constructeur ne répond pas des dommages résultant d'une utilisation impropre des différents dispositifs du système différente de ce qui est prévu dans cette notice.

Le système Solemyo est particulièrement indiqué pour alimenter des automatismes se trouvant loin de l'alimentation de secteur. Il est composé de 3 dispositifs de base, dont la combinaison permet des configurations différentes, en mesure de stocker l'énergie solaire ou l'énergie du secteur électrique, pour l'utiliser quand l'automatisation sur laquelle le système est installé en a besoin.

Les différents dispositifs du système sont disponibles dans les conditionnements suivants :

- **PSY24**: c'est le cœur du système. Le dispositif peut stocker l'énergie électrique produite par SYP durant les heures de soleil en la rendant disponible à toute heure du jour, y compris par temps couvert. Le même dispositif peut stocker également l'énergie électrique du secteur, à travers SYA1. L'emballage contient l'accumulateur PSY24, les câbles, les connecteurs pour les connexions à l'automatisation, les accessoires de fixation et le présent manuel ;

- **SYP**: c'est un dispositif en mesure de convertir la lumière solaire directement en énergie électrique. L'emballage contient un panneau photovoltaïque SYP pour la recharge de PSY24, et les accessoires de fixation ;

- **SYKCE**: c'est un kit complet pour l'alimentation autonome photovoltaïque. L'emballage contient les dispositifs PSY24, SYP, les câbles, les connecteurs pour les connexions à l'automatisation, les accessoires de fixation et le présent manuel ;

- **SYA1**: c'est un dispositif qui permet la recharge périodique ou de secours de PSY24, par le secteur électrique et dans un milieu protégé. L'emballage contient un chargeur de batteries SYA1.

2 – Contrôles avant l'installation

Pour s'assurer que le système est adapté aux caractéristiques de l'automatisme à alimenter, effectuer les vérifications décrites dans ce chapitre et contrôler leur conformité également avec les données techniques figurant dans le chapitre « **Caractéristiques techniques** » :

À proximité de l'automatisme à alimenter, identifier le point le plus adapté pour installer le panneau photovoltaïque et le point le plus adapté pour installer l'accumulateur, en tenant compte des contraintes suivantes :

- les limites d'utilisation décrites dans ce chapitre ;
- la longueur maximum du câble d'alimentation (3 m) et de celui du panneau photovoltaïque (3 m) ;
- l'espace disponible près de l'automatisme à alimenter.

De plus, effectuer les vérifications suivantes :

- vérifier que les surfaces choisies pour fixer les deux dispositifs sont d'un matériau solide et peuvent garantir une fixation stable.
- Vérifier que chaque dispositif à installer se trouve dans une position protégée, à l'abri des chocs accidentels.
- En particulier, pour chaque dispositif, vérifier ce qui suit :

SYP panneau photovoltaïque

– vérifier que l'endroit choisi pour l'installation du panneau garantit 100% d'ensoleillement direct (plein soleil), tout au long de l'année.

– vérifier que le point choisi pour l'installation du panneau est loin de la végétation, des murs ou d'autres situations qui peuvent créer des zones d'ombre, même partielle, sur sa surface sensible. **Attention ! – cette surface doit être exposée aux rayons solaires de manière directe et en tout point ; une ombre partielle, même si de petites dimensions (due, par exemple, à une feuille ou autre), réduit sensiblement la capacité énergétique du panneau.**

– vérifier la possibilité d'orienter et d'incliner correctement le panneau, en se référant aux instructions techniques du chapitre 4.

PSY24 accumulateur

Pour assurer une efficacité optimale et une longue durée de l'accumulateur, il est préférable d'installer ce dernier à un endroit – à proximité de l'automatisme à alimenter – en mesure de le protéger contre les hautes températures estivales et les basses températures hivernales.

AVERTISSEMENTS ET PRÉCAUTIONS GÉNÉRALES POUR LA SÉCURITÉ

La conception, la fabrication des dispositifs qui composent le système Solemyo et les informations contenues dans ce guide respectent pleinement les normes en vigueur en matière de sécurité. Toutefois, une installation incorrecte peut causer de graves blessures aux personnes qui effectuent le travail et à celles qui utiliseront l'installation. Pour cette raison, au cours de l'installation, il est important de suivre attentivement toutes les instructions figurant dans ce guide.

Ne pas effectuer l'installation si le moindre doute persiste et demander les éclaircissements nécessaires au Service après-vente Nice.

OPÉRER EN CONDITIONS DE SÉCURITÉ !

Attention – Pour la sécurité des personnes, il est important de respecter ces instructions.

Attention – Instructions importantes pour la sécurité : conserver par conséquent ces instructions.

Respecter les consignes suivantes :

- effectuer exclusivement les connexions électriques prévues dans ce guide : une exécution erronée des connexions pourrait causer de graves dommages au système.
- Si le câble d'alimentation présent dans l'emballage est utilisé à l'extérieur, il est obligatoire de le protéger entièrement avec une gaine spécifique pour la protection des câbles électriques.
- ne pas toucher avec des objets métalliques les parties métalliques des prises qui sont sur le boîtier de l'accumulateur.

Compte tenu des situations de risque qui peuvent se vérifier durant les phases d'installation et d'utilisation du système, il faut installer les dispositifs présents dans l'emballage en respectant les recommandations qui suivent :

- ne pas effectuer de modifications sur des parties du dispositif quelles qu'elles soient, en dehors de celles qui sont décrites dans ce guide. Des opérations non autorisées ne peuvent que provoquer des problèmes de fonctionnement. Le constructeur décline toute responsabilité pour les dommages dérivant de dispositifs modifiés arbitrairement.
- ne pas mettre les dispositifs à proximité de fortes sources de chaleur ni les exposer à des flammes vives ; Ces actions peuvent les endommager et causer des problèmes de fonctionnement, un incendie ou des situations de danger.
- éviter que les dispositifs puissent être immergés dans l'eau ou dans d'autres substances liquides. Durant l'installation éviter que les liquides puissent pénétrer à l'intérieur des dispositifs.
- les matériaux de l'emballage des dispositifs doivent être mis au rebut dans le plein respect des normes locales en vigueur.

Attention ! – Conserver avec soin cette notice pour faciliter les éventuelles interventions futures de maintenance ou de mise au rebut des dispositifs.

En effet, le rendement de la charge de l'accumulateur dépend de la température de l'environnement dans lequel il est installé : l'efficacité optimale s'obtient aux moyennes températures, tandis qu'elle diminue sensiblement aux basses températures.

Par contre, la longévité de l'accumulateur est influencée surtout par les hautes températures estivales qui accélèrent le vieillissement des parties. Normalement la vie moyenne des batteries est d'environ 4-5 ans ; elle dépend aussi de l'intensité d'utilisation de l'automatisme.

SYA1 chargeur de batterie

Se référer au chapitre spécifique présent dans le manuel d'instructions du dispositif.

3 - Limites d'utilisation du système

IMPORTANT

- Quand l'automatisme est alimenté par le système "Solemyo", il ne doit pas être alimenté simultanément aussi par le secteur électrique.

- Les dispositifs SYP et SYA1, qui fournissent l'énergie au dispositif PSY24, sont alternatifs entre eux et ne peuvent pas être utilisés simultanément.

• pour l'alimentation photovoltaïque (avec SYP)

Les graphiques A, B et C indiquent l'énergie solaire disponible, suivant la latitude du lieu d'installation, à tout moment de l'année solaire, avec l'automatisme alimenté exclusivement par les dispositifs PSY24 et SYP. La courbe de chaque graphique est générée en considérant la quantité de lumière par jour enregistrée à une latitude donnée, en l'espace d'un an.

Pour obtenir le nombre maximum possible de cycles par jour, procéder de la façon suivante.

01. Identifier sur le graphique A, B ou C (suivant la latitude à laquelle se trouve l'installation) la période de l'année à considérer ; puis trouver sur l'axe vertical la valeur « Cb » qui correspond à cette période, en opérant comme indiqué dans l'exemple donné dans le graphique.
02. Utiliser enfin cette valeur « Cb » pour effectuer les calculs indiqués dans la notice contenue dans l'emballage.

Attention – Si durant la journée le panneau photovoltaïque reste dans l'ombre pendant une partie du temps (en particulier, de 10h00 à 14h00), le nombre maximum possible de cycles de manœuvres se réduit proportionnellement aux heures manquantes d'exposition du panneau au soleil.

Attention – Pour augmenter le nombre maximum de cycles possibles par jour, il est fondamental de réduire les consommations de l'automatisation. Pour cette raison, sur les logiques de commande des automatismes il est important de programmer la fonction « Stand-by » en sélectionnant le niveau le plus efficace (se référer au guide spécifique de l'automatisme).

• pour l'alimentation par le secteur (avec SYA1)

La recharge de l'accumulateur PSY24 par le secteur doit être effectuée dans un lieu protégé, en déconnectant au préalable PSY24 du panneau solaire SYP et de l'automatisme.

INSTALLATION DU SYSTÈME

4 - Assemblage et connexion des différents composants

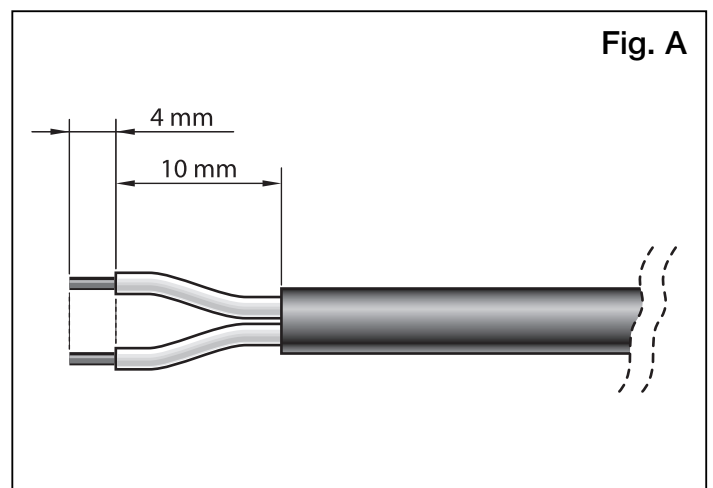
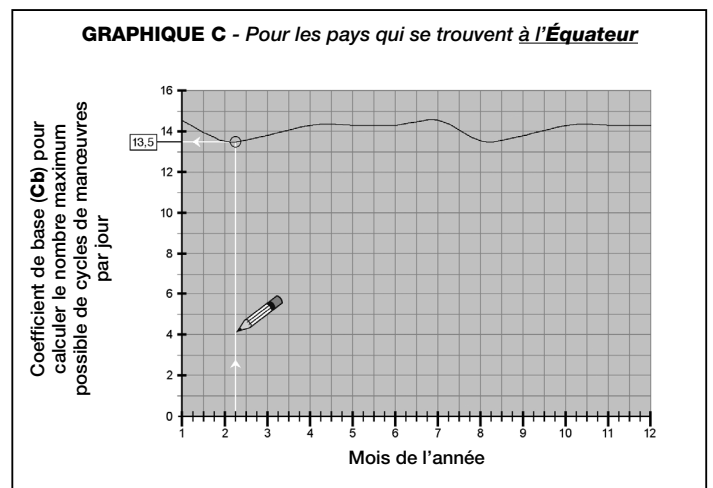
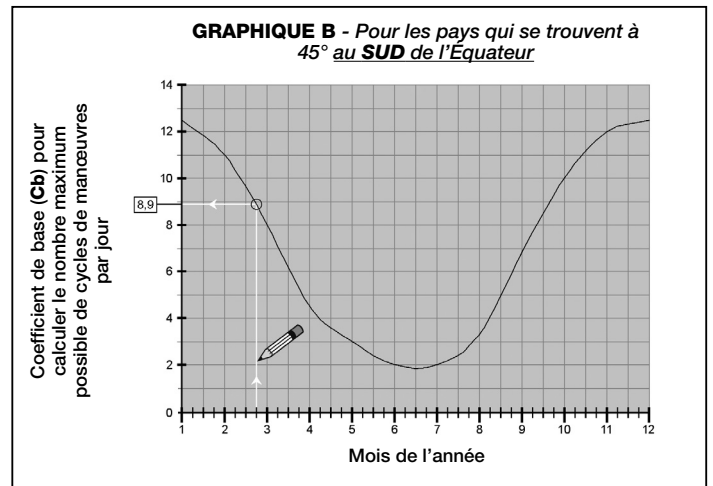
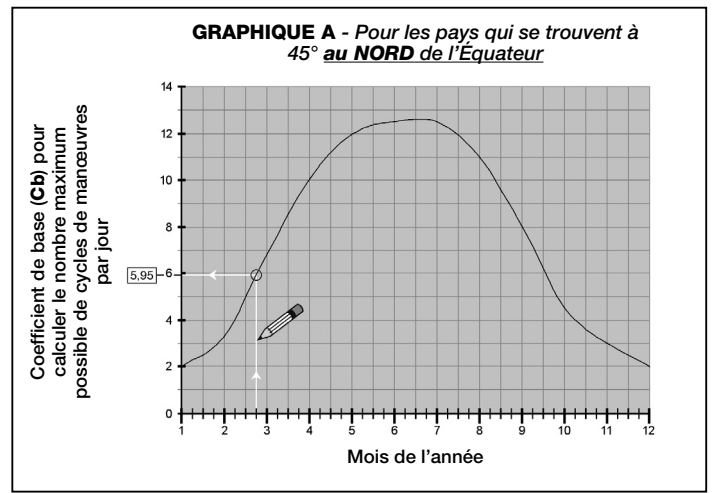
PHASE 1 – Positionnement idéal du panneau photovoltaïque SYP

En général, le panneau doit être positionné de manière à pouvoir être exposé constamment au soleil, tout au long de la journée et à toute période de l'année. On obtient ce résultat en orientant scrupuleusement le panneau, tant sur le plan horizontal que sur le plan vertical, en calculant ces positions en fonction de l'endroit où le panneau est installé.

Ensuite, après avoir effectué les contrôles indiqués au chapitre 2 et avoir considéré les différentes possibilités d'installation du panneau indiquées dans le fig. 6, effectuer les opérations suivantes :

• **Définir l'orientation correcte du panneau sur le plan horizontal**, en procédant de la façon suivante :

- a) Sur le lieu de l'installation, identifier les points cardinaux du NORD et du SUD, en utilisant une boussole ou une carte géographique du lieu.
- b) Ensuite, orienter le panneau en direction NORD ou SUD, sur la base des considérations suivantes :



– si le lieu de l'installation se trouve **dans un pays au Nord de l'équateur** (États-Unis ; Europe ; Russie ; etc.) le panneau doit être orienté **exactement vers le SUD** ;

– si le lieu de l'installation se trouve **dans un pays au Sud de l'équateur** (Amérique latine ; Australie ; Indonésie ; etc.) le panneau doit être orienté **exactement vers le NORD** ;

Pour plus de précision, se référer à la **fig. 4**.

• **Définir l'orientation correcte du panneau sur le plan vertical**, en procédant de la façon suivante :

Considérant qu'il est préférable d'obtenir le rendement maximum du panneau dans la période hivernale, c'est-à-dire quand le nombre d'heures de lumière solaire est moins important qu'en été, il faut orienter le panneau avec une inclinaison telle qu'il reçoit les rayons du soleil perpendiculairement à sa surface sensible (incidence frontale).

Cette inclinaison correspond à la **latitude du lieu** et peut être relevée sur n'importe quelle carte géographique : par exemple, Madrid a une latitude de 40° ; Venise de 45° ; Londres d'environ 50° etc. Pour plus de précision, se référer à la **fig. 5**.

PHASE 2 – Fixation du panneau photovoltaïque SYP à l'endroit choisi

Après avoir établi la position du panneau de façon précise, assembler tous les composants de sa patte de support, suivant les instructions de la **fig. 3**. Ensuite, fixer la patte du panneau sur la surface choisie, comme indiqué **fig. 6**.

PHASE 3 – Fixation de l'accumulateur PSY24 à l'endroit choisi

Après avoir effectué les vérifications indiquées dans le chapitre 2 et établi avec exactitude la position où placer l'accumulateur, fixer celui-ci sur la surface choisie, comme illustré **fig. 13**. **Note** – Pour la fixation, utiliser les 2 vis situées en bas uniquement si l'on souhaite fixer l'accumulateur de manière fixe et non amovible.

PHASE 4 – Passage des câbles

IMPORTANT ! Si le câble d'alimentation présent dans l'emballage est utilisé à l'extérieur, il est obligatoire de le protéger **entièrement** avec une gaine spécifique pour la protection des câbles électriques.

Après avoir fixé le panneau et l'accumulateur, passer le câble du panneau à travers la gaine ou le conduit de protection, en le portant jusqu'à l'accumulateur.

En se référant au guide d'instructions de l'automatisme à alimenter, enlever le couvercle de protection de la logique de commande. Passer ensuite à travers l'automatisme (où passent les autres câbles) l'extrémité du câble d'alimentation avec les fils dénudés et faire sortir le câble de l'automatisme à travers le presse-étoupe prévu à cet effet. Passer ensuite le câble à travers l'éventuel conduit de protection en le portant jusqu'à l'accumulateur.

Attention ! – Ne pas connecter le câble d'alimentation à la logique ; laisser ouvert l'accès à la logique et ne pas visser le presse-étoupe.

PHASE 5 – Assemblage de la fiche femelle coudée sur le câble du panneau photovoltaïque SYP

Si le câble est trop long, on peut le raccourcir en faisant attention à dénuder les fils de manière que leur longueur résulte **identique** à celles qui sont indiquées dans la **fig. A (attention ! – des longueurs différentes compromettent l'assemblage successif de la fiche)**.

Monter ensuite la fiche femelle coudée de **couleur GRISE** à l'extrémité du câble du panneau, de la façon suivante :

01. Enfiler sur le câble les différents éléments qui composent la fiche, **en respectant l'ordre** indiqué **fig. 7** ;

ATTENTION ! – Ne pas modifier le cavalier électrique présent sur le connecteur (**fig. 8**).

02. En utilisant un tournevis à fente, fixer sur le connecteur le **conducteur bleu à la borne n° 1** et le **conducteur marron à la borne de la prise de terre (4)** (**fig. 9**) :

Note – Les numéros et les symboles de référence sont imprimés sur le connecteur, en bas par rapport aux bornes et sur la face opposée.

03. Après avoir fixé les deux conducteurs, insérer le connecteur dans sa protection (**fig. 10**).

Important – La position correcte du connecteur est celle avec le symbole de la prise de terre vers le bas (voir la **fig. 10**) ;

04. Ensuite, tirer le câble vers l'extérieur de la fiche et insérer dans celle-ci la rondelle et le joint (**fig. 11-a-b**). Enfin, visser le presse-étoupe (**fig.**

11-c) à l'aide d'une clé, **de façon à obtenir une fermeture complètement hermétique**.

05. Après avoir assemblé la fiche femelle, positionner le joint fourni sur la face de connexion de la fiche (**fig. 12**).

PHASE 6 – Montage de la fiche femelle coudée sur le câble d'alimentation

Si le câble est trop long, on peut le raccourcir en faisant attention à dénuder les fils de manière que leur longueur résulte **identique** à celles qui sont indiquées dans la **fig. A (attention ! – des longueurs différentes compromettent l'assemblage successif de la fiche)**.

Monter ensuite la fiche femelle coudée de **couleur NOIRE** à l'extrémité du câble d'alimentation, de la façon suivante :

01. Enfiler sur le câble les différents éléments qui composent la fiche, **en respectant l'ordre** indiqué **fig. 7** ;

ATTENTION ! – Ne pas modifier le cavalier électrique présent sur le connecteur (**fig. 8**).

02. En utilisant un tournevis à fente, fixer le conducteur **bleu à la borne n° 1** et le conducteur **marron à la borne de la prise de terre du connecteur (4)** (**fig. 9**) :

Note – Les numéros et les symboles de référence sont imprimés sur le connecteur, en bas par rapport aux bornes et sur la face opposée.

03. Après avoir fixé les deux conducteurs, insérer le connecteur dans sa protection (**fig. 10**).

Important – La position correcte du connecteur est celle avec le symbole de la prise de terre vers le bas (voir la **fig. 10**) ;

04. Ensuite, tirer le câble vers l'extérieur de la fiche et insérer dans celle-ci la rondelle et le joint (**fig. 11-a-b**). Enfin, visser le presse-étoupe (**fig. 11-c**) à l'aide d'une clé, **de façon à obtenir une fermeture complètement hermétique**.

05. Après avoir assemblé la fiche femelle, positionner le joint fourni sur la face de connexion de la fiche (**fig. 12**).

PHASE 7 – Connexion du panneau photovoltaïque SYP à l'accumulateur PSY24

Pour connecter le panneau à l'accumulateur, procéder de la façon suivante :

01. Connecter la fiche femelle coudée de **couleur GRISE** à la prise « IN » sur l'accumulateur (**fig. 14**) ;

02. Fixer la fiche avec la vis de sécurité fournie en se référant à la **fig. 15**. **Note** – Si l'on prévoit de déconnecter souvent la fiche de l'accumulateur, utiliser la vis de la **fig. 16-a**. Sinon, utiliser la vis de la **fig. 16-b**.

PHASE 8 – Connexion de l'accumulateur PSY24 à l'automatisme

ATTENTION ! – Pour des questions de sécurité, les opérations décrites dans cette Phase 8 doivent être exécutées **exclusivement** par un technicien qualifié et compétent.

Pour connecter l'accumulateur à l'automatisme, procéder de la façon suivante :

01. Accéder à la logique de commande de l'automatisme et brancher le connecteur du câble d'alimentation dans la prise destinée à la batterie tampon présente sur la logique. Pour identifier cette prise, se référer au guide d'instructions de l'automatisme à alimenter.

02. Connecter la fiche femelle coudée de **couleur NOIRE** à la prise « OUT » sur l'accumulateur (**fig. 17**) ;

03. Fixer la fiche avec la vis de sécurité fournie en se référant à la **fig. 18**. **Note** – Si l'on prévoit de déconnecter souvent la fiche de l'accumulateur, utiliser la vis de la **fig. 16-a**. Sinon, utiliser la vis de la **fig. 16-b**.

5 – Remarques générales sur l'utilisation du système

En général, quand l'accumulateur PSY24 n'est pas correctement rechargé, il épuise sa réserve d'énergie en quelques jours. Pour cette raison, à la fin de l'installation, après avoir connecté le produit à l'automatisme, l'installation pourrait ne pas être immédiatement opérationnelle (l'accumulateur pourrait être épuisé à cause du processus normal d'autodécharge qui se vérifie avec le temps, y compris quand le produit est stocké).

L'accumulateur PSY24 permet à l'automatisme un nombre fini de cycles de manœuvres (se référer à la notice contenue dans l'emballage). Par conséquent, s'il n'est pas constamment rechargé avec SYP ou occasionnellement avec SYA1 il peut signaler l'état de *batterie épuisée* par des clignotements cycliques de la led et des *bips* acoustiques (la signalisation peut être temporaire ou permanente).

En particulier, quand il est alimenté par SYP la recharge peut être influencée tant par les conditions atmosphériques que par l'utilisation intense de l'automatisme (quand on dépasse le nombre maximum possible des cycles de manœuvres). Quand cela se produit, PSY24 pourrait signaler l'état de *batterie épuisée*.

La recharge de PSY24 peut être rétablie en procédant de l'une des façons suivantes :

- A) - Limiter l'utilisation de l'automatisme en attendant que les conditions d'insolation s'améliorent, permettant ainsi la recharge de l'accumulateur de manière naturelle, grâce au raccordement au panneau photovoltaïque SYP.
Pour accélérer le processus de recharge, déconnecter PSY24 de la logique de commande de l'automatisme et attendre quelques jours que le panneau photovoltaïque SYP reçoive suffisamment d'énergie solaire pour recharger l'accumulateur PSY24.
- B) - Déconnecter l'accumulateur PSY24 de la logique de commande de l'automatisme et du panneau solaire SYP (s'il est présent). Exécuter ensuite la recharge de PSY24 en utilisant dans un lieu protégé le chargeur batterie SYA1 branché au secteur.

Quand l'accumulateur PSY24 est en recharge (par le panneau photovoltaïque SYP ou par le chargeur de batterie SYA1), la led rouge émet 2 clignotements brefs toutes les 5 secondes. Vérifier que cette signalisation est présente aussi après l'installation, quand le panneau est éclairé par le soleil.

La signalisation de *batterie épuisée* cesse quand le système atteint une autonomie électrique suffisante pour faire fonctionner l'automatisme.

Si l'automatisme n'est pas utilisé pendant de longues périodes, il est conseillé de débrancher de l'accumulateur les connecteurs de l'automatisme et du panneau photovoltaïque et de remiser l'accumulateur dans un endroit frais et sec.

QUE FAIRE SI... (Guide à la résolution des problèmes)

- **La logique de commande de l'automatisme ne s'allume pas et l'accumulateur (mod. PSY24) ne donne aucun signal.**

Cela pourrait dépendre de connexions erronées ou des fils électriques mal connectés ; ou bien l'accumulateur PSY24 pourrait être complètement épuisé et ne pas avoir l'énergie suffisante pour signaler l'état de *batterie épuisée*.

Il faut effectuer dans ce cas une recharge rapide avec le chargeur de batterie SYA1 ou attendre que le panneau photovoltaïque SYP, correctement connecté, commence à recharger l'accumulateur PSY24.

- **L'accumulateur PSY24 a tendance à se décharger trop rapidement.**

Cela pourrait dépendre d'un vieillissement excessif de l'accumulateur rendant son remplacement nécessaire ; ou bien la cause pourrait être une utilisation trop intensive de l'automatisme, au-delà des limites d'emploi prévues dans ce manuel, dans le Chapitre 3.

- **L'accumulateur PSY24 ne se recharge plus.**

Cela pourrait dépendre d'un mauvais fonctionnement du panneau photovoltaïque SYP dû à une installation incorrecte ; ou à une erreur de connexion des câbles ; ou à un mauvais fonctionnement de l'accumulateur PSY24.

INTERVENTIONS DE MAINTENANCE PÉRIODIQUE

En général, les dispositifs du système n'ont pas besoin d'être soumis à une maintenance particulière ; toutefois, un contrôle régulier dans le temps permet de garantir le bon fonctionnement de l'installation.

Par conséquent, pour effectuer une maintenance correcte, vérifier tous les 6 mois que le panneau photovoltaïque SYP n'a pas accumulé de saletés (feuilles, sable, etc.) : cela pourrait en diminuer l'efficacité.

Par ailleurs, il faut vérifier s'il est nécessaire de remplacer l'accumulateur, PSY24 qui par effet du vieillissement pourrait réduire son autonomie dans le temps.

ATTENTION – Le remplacement éventuel de l'accumulateur PSY24 doit être effectué exclusivement par du personnel qualifié et expérimenté.

MISE AU REBUT

Mise au rebut des dispositifs du système

Ces dispositifs sont partie intégrante de l'automatisme et doivent donc être mis au rebut avec ce dernier.

Comme pour l'installation, à la fin de la durée de vie de ces dispositifs, les opérations de démantèlement doivent être effectuées par du personnel qualifié.

Ces dispositifs sont constitués de différents types de matériaux : certains peuvent être recyclés, d'autres doivent être mis au rebut. Informez vous sur les systèmes de recyclage ou de mise au rebut prévus par les règlements, en vigueur dans votre pays, pour la catégorie à laquelle ces dispositifs appartiennent.

Attention ! – certains composants des dispositifs peuvent contenir des substances polluantes ou dangereuses qui pourraient avoir des effets nuisibles sur l'environnement et sur la santé des personnes s'ils étaient jetés dans la nature.

Comme l'indique le symbole ci-contre, il est interdit de jeter ces dispositifs avec les ordures ménagères. Par conséquent, utiliser la méthode de la « collecte sélective » pour la mise au rebut des composants conformément aux prescriptions des normes en vigueur dans le pays d'utilisation ou restituer les dispositifs au vendeur lors de l'achat de nouveaux dispositifs équivalents.



Attention ! – les règlements locaux en vigueur peuvent appliquer de lourdes sanctions en cas d'élimination illicite de ces dispositifs.

Mise au rebut de l'accumulateur PSY24

Attention ! – L'accumulateur contient des substances polluantes et ne doit donc pas être jeté avec les ordures ménagères après l'avoir retiré de l'installation. Il faut le mettre au rebut ou le recycler en adoptant les méthodes prévues par les normes en vigueur dans votre territoire.

ADVERTENCIAS Y PRECAUCIONES GENERALES DE SEGURIDAD

El diseño, la fabricación de los dispositivos que componen el sistema Solemyo y las informaciones contenidas en este manual respetan plenamente la normativa de seguridad vigente. Una instalación incorrecta puede provocar heridas graves a las personas que hacen el trabajo y a aquellas que utilizarán la instalación. Por dicho motivo, durante la instalación es importante respetar escrupulosamente todas las instrucciones mencionadas en este manual.

No proceda con la instalación si tuviera alguna duda y pida aclaraciones al Servicio de Asistencia Nice.

TRABAJAR EN CONDICIONES SEGURAS!

Atención – Para la seguridad de las personas es importante respetar estas instrucciones.

Atención – Instrucciones importantes para la seguridad: guarde estas instrucciones.

Respete las siguientes advertencias:

- realice únicamente las conexiones eléctricas mencionadas en este manual: una conexión incorrecta podría provocar daños graves al sistema.
- Si el cable de alimentación incluido en el embalaje se utiliza en el exterior, es obligatorio protegerlo por entero con un tubo específico para la protección de cables eléctricos.
- no toque con objetos de metal las piezas metálicas de las tomas que están en la cubierta del acumulador.

Teniendo en cuenta las situaciones de peligro que pueden generarse durante la instalación y el uso del sistema, es necesario instalar los dispositivos entregados en el embalaje, observando las siguientes advertencias:

- no modifique ninguna pieza de los dispositivos si no está previsto en este manual. Las operaciones no permitidas pueden provocar desperfectos. El fabricante no se asumirá ninguna responsabilidad por daños originados por dispositivos modificados arbitrariamente.
- no coloque los dispositivos cerca de fuentes de calor ni los exponga al fuego. Esto podría averiarlos y provocar desperfectos de funcionamiento, incendios o situaciones peligrosas.
- los dispositivos no deben ser sumergidos en el agua ni en otras sustancias líquidas. Durante la instalación, procure que no entren líquidos dentro de los dispositivos.
- el material de embalaje de los dispositivos debe ser eliminado respetando las normativas locales.

¡Atención! – Conserve con cuidado este manual para facilitar las futuras operaciones de mantenimiento o de desguace de los dispositivos.

CONOCIMIENTO DEL SISTEMA Y PREPARACIÓN PARA LA INSTALACIÓN

1 – Descripción y uso previsto

SOLEMYO es un sistema autónomo de alimentación destinado a las automatizaciones Nice para cancelas y puertas de garaje (la lista de los automatismos se encuentra en la hoja entregada dentro del embalaje y también se puede consultar en la página web www.niceforyou.com).

¡Cualquier otro uso es considerado inadecuado! El fabricante no responde de los daños que pudieran surgir por un uso inadecuado de los dispositivos del sistema y diferente de aquel previsto en este manual.

El sistema Solemyo es muy indicado para alimentar automatismos situados lejos de la red eléctrica fija.

Está compuesto por 3 dispositivos básicos, cuya combinación permite configuraciones distintas, capaces de almacenar energía solar o energía de la red eléctrica, para utilizarla cuando la requiere el automatismo en el que se instaló el sistema.

Los diversos dispositivos del sistema están disponibles en los siguientes embalajes:

– **PSY24:** es el corazón del sistema. El dispositivo puede almacenar la energía eléctrica producida por SYP durante las horas de sol, poniéndola a disposición en cualquier momento del día, incluidos los días de mal tiempo. El mismo dispositivo también puede almacenar la energía eléctrica de la red fija, mediante SYA1. El embalaje contiene el acumulador PSY24, los cables, los conectores para la conexión del automatismo, los accesorios para la fijación y este manual;

– **SYP:** es un dispositivo que convierte la luz solar directamente en energía eléctrica. El embalaje contiene un panel fotovoltaico SYP para la carga de PSY24, y los accesorios para su fijación;

– **SYKCE:** es un kit completo para la alimentación autónoma fotovoltaica. El embalaje contiene los dispositivos PSY24, SYP, los cables, los conectores para las conexiones al automatismo, los accesorios de fijación y este manual;

– **SYA1:** es un dispositivo que permite la recarga periódica o de emergencia de PSY24, desde la red eléctrica fija y en entorno protegido. El embalaje contiene un cargador de baterías SYA1.

2 – Controles preliminares para la instalación

Para determinar si el sistema es idóneo para las características de la automatización que hay que alimentar, compruebe aquello que está descrito en este capítulo y controle que sea conforme incluso en función de los datos técnicos indicados en el capítulo **“Características técnicas”**.

En proximidad de la automatización que haya que alimentar, determine el punto más adecuado para instalar el panel fotovoltaico y aquel más idóneo para instalar el acumulador, teniendo en cuenta las siguientes indicaciones:

- a) los límites de utilización descritos en este capítulo;
- b) la longitud máxima del cable de alimentación (3 m) y de aquel del panel fotovoltaico (3 m);
- c) el espacio disponible en proximidad de la automatización que haya que alimentar.

Además, realice los siguientes controles:

- d) controle que las superficies para fijar los dos dispositivos sean sólidas y garanticen una buena fijación.
- e) controle que cada dispositivo que deba instalar quede colocado en una posición protegida de golpes accidentales.
- f) para cada dispositivo, controle lo siguiente:

SYP panel fotovoltaico

– controle que el lugar escogido para instalar el panel garantice el 100% de la exposición directa del sol en cualquier jornada del año.

– controle que el punto escogido para instalar el panel esté lejos de la vegetación, paredes u otros elementos que puedan crear zonas de sombra, incluso momentáneas, sobre la superficie sensible. **¡Atención! – esta superficie debe estar iluminada directamente por los rayos solares y en todos los puntos; una sombra parcial, incluso muy pequeña (debida por ejemplo a una hoja o a otra cosa), disminuye sensiblemente la capacidad energética del panel.**

– controle que sea posible **orientar** e **inclin**ar correctamente el panel, tomando como referencia las instrucciones mencionadas en el capítulo 4.

PSY24 acumulador

Para obtener del acumulador su máximo rendimiento y una larga duración es preferible instalarlo en un punto – cerca de la automatización que debe alimentar – protegido del calor excesivo en verano y del frío intenso en invierno.

En efecto, **el rendimiento de la carga del acumulador** depende de la temperatura del medio ambiente en que está instalado: el rendimiento máximo se obtiene con temperaturas medianas, mientras que disminuye sensiblemente con las temperaturas bajas. Por el contrario, **la vida útil del acumulador** depende, sobre todo, de las temperaturas altas en verano que aceleran el envejecimiento de las piezas. Normalmente, el promedio de vida útil es de unos 4-5 años, pero también depende de la intensidad con que se utiliza la automatización.

SYA1 cargador de batería

Refiérase al capítulo específico presente en el manual de instrucciones del dispositivo.

3 – Límites de utilización del sistema

MUY IMPORTANTE

- Cuando el automatismo esté alimentado por el sistema “Solemyo”, **no debe estar conectado ni alimentado simultáneamente desde la red eléctrica.**

- Los dispositivos SYP y SYA1, que proporcionan energía al dispositivo PSY24, son alternativos entre sí y no pueden utilizarse simultáneamente.

• **para la alimentación fotovoltaica (con SYP)**

Los **gráficos A, B y C** indican la **energía solar disponible según la latitud del lugar, en cualquier momento del año solar**, con el automatismo alimentado exclusivamente con los dispositivos PSY24 y SYP. La curva de cada gráfico es generada tomando en consideración la cantidad de luz diaria registrada en una latitud determinada a lo largo de un año. Para obtener la cantidad máxima posible de ciclos por día, proceder de la siguiente manera.

- 01.** Localice en el gráfico A, B o C (según la latitud donde se encuentra la instalación) el período del año de su interés; entonces encuentre en el eje vertical el **valor “Cb”** que corresponde a este período, tal como indicado en el ejemplo del gráfico.
- 02.** Por último, utilice este **valor “Cb”** para hacer los cálculos indicados en la hoja entregada dentro del embalaje.

Atención – Si el panel fotovoltaico quedara a la sombra durante una parte del día (especialmente desde las 10:00 hasta las 14:00 horas), el número máximo posible de ciclos de movimientos disminuirá en función de las horas faltantes de exposición al sol del panel.

Atención – Para aumentar la cantidad máxima posible de ciclos por día, es fundamental reducir los consumos del automatismo. Por este motivo, en las centrales de mando de los automatismos es importante programar la función “Stand-by” configurando el nivel más eficaz (véase el manual del automatismo).

• **para la alimentación desde la red eléctrica fija (con SYA1)**

La carga del acumulador PSY24 desde la red fija se realiza en entorno protegido, desconectando previamente el PSY24 del panel solar SYP y del automatismo.

INSTALACIÓN DEL SISTEMA

4 – Ensamblaje y conexión de los diferentes componentes

1º PASO – Posición ideal del panel fotovoltaico SYP

Por lo general, el panel debe estar colocado de manera que pueda quedar iluminado constantemente por el sol, durante todo el día y en todos los períodos del año. Esto se obtiene orientando escrupulosamente el panel, tanto horizontal como verticalmente, calculando las posiciones según el lugar de instalación del panel.

Posteriormente, después de haber hecho los controles indicados en el capítulo 2 y de haber tenido en cuenta las diferentes posibilidades de instalación del panel indicadas en el **fig. 6**, realice las siguientes operaciones:

• **Defina la orientación horizontal correcta del panel**, procediendo de la siguiente manera:

- a)** Determine en el lugar de instalación los puntos cardinales del **NORTE** y del **SUR**, utilizando una brújula o un mapa geográfico del lugar.
- b)** Oriente el panel hacia el **NORTE** o hacia el **SUR** según los siguientes cálculos:

GRÁFICO A - Para los Países que están a 45° NORTE del Ecuador

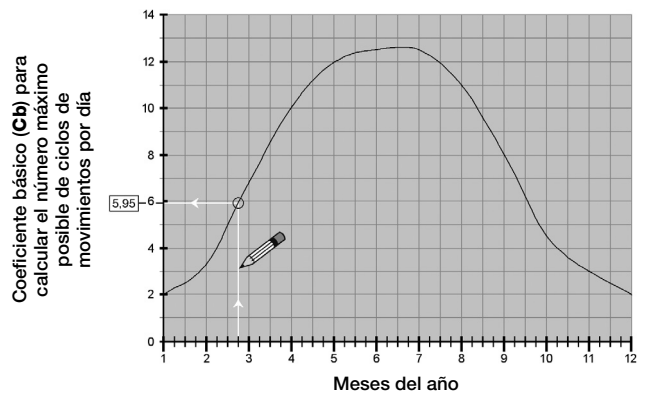


GRÁFICO B - Para los Países que están a 45° SUR del Ecuador

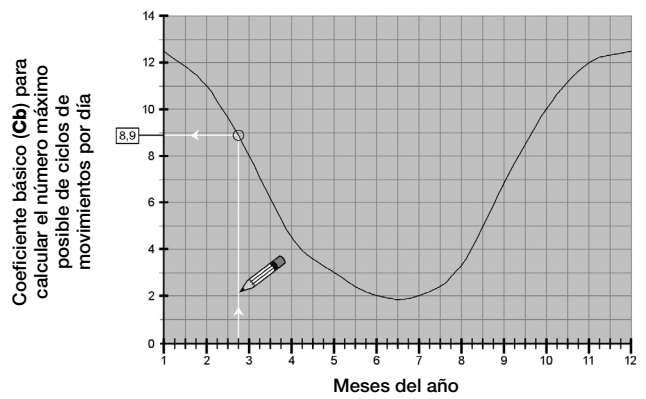


GRÁFICO C - Para los Países que están sobre el Ecuador

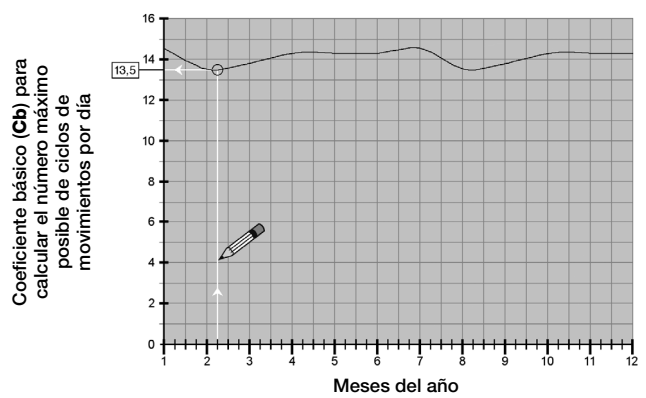
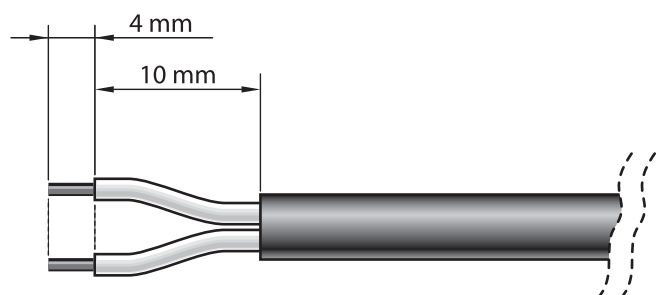


Fig. A



– si el lugar de instalación fuera **en un País del Hemisferio Norte** (Estados Unidos, Europa, Rusia, etc.) el panel deberá estar orientado **exactamente hacia el SUR**;

– si el lugar de instalación fuera **en un País del Hemisferio SUR** (Sudamérica, Australia, Indonesia, etc.) el panel deberá estar orientado **exactamente hacia el NORTE**.

Para más aclaraciones, consulte la **fig. 4**.

• **Defina la orientación vertical correcta del panel**, procediendo de la siguiente manera:

Teniendo en cuenta que es preferible obtener la eficiencia máxima del panel durante el invierno, es decir cuando la cantidad de horas de luz solar es menor que en verano, habrá que orientar el panel con una inclinación tal que reciba los rayos de sol de manera perpendicular (frontales) a su superficie sensible.

Dicha inclinación corresponde a la **latitud del lugar** que puede obtenerse consultando cualquier mapa geográfico; por ejemplo, Madrid está en una latitud de 40°; Venecia de 45°; Londres de 50°, etc. Para más aclaraciones, consulte la **fig. 5**.

2º PASO – Fijación del panel fotovoltaico SYP en el punto escogido

Después de haber establecido exactamente la posición del panel, ensamble todos los componentes del soporte, siguiendo las instrucciones indicadas en la **fig. 3**.

Por último, fije el soporte del panel sobre la superficie escogida, tal como se muestra en la **fig. 6**.

3º PASO – Fijación del acumulador PSY24 en el punto escogido

Después de haber realizado los controles indicados en el capítulo 2 y haber establecido exactamente la posición de instalación del acumulador, fije este último a la superficie escogida tal como se muestra en la **fig. 13**. **Nota** – *utilice los 2 tornillos colocados en la parte inferior sólo si se desea fijar el acumulador de manera fija y permanente.*

4º PASO – Paso de los cables

¡IMPORTANTE! – Si el cable de alimentación incluido en el embalaje se utiliza en el exterior, es obligatorio protegerlo por entero con un tubo específico para la protección de los cables eléctricos.

Después de haber fijado el panel y el acumulador, pase el cable del panel a través del tubo o de la canaleta de protección hasta el acumulador.

Tomando como referencia el manual de instrucciones de la automatización, quite la tapa de protección de la Central de mando. Pase a través de la automatización (por donde pasan los demás cables) el extremo del cable de alimentación con los hilos pelados, y hágalo salir de la automatización por el prensaestopas específico. Por último, pase el cable por la canaleta de protección hasta el acumulador.

¡Atención! – *No conecte el cable de alimentación a la Central; deje abierto el acceso a la Central y deje flojo el prensaestopas.*

5º PASO – Ensamblajes de la toma en “L” en el cable del panel fotovoltaico SYP

Si el cable fuera muy largo, acórtelo pelando los hilos de manera que sus longitudes sean **iguales** a aquellas indicadas en la **fig. A** (**¡atención!** – *si las longitudes fueran diferentes será difícil ensambalar la toma*).

Posteriormente, ensamble la toma en “L” de **color GRIS** en el extremo del cable del panel, de la siguiente manera:

01. Introduzca en el cable los diferentes elementos que componen la toma, **respetando el orden** que se muestra en la **fig. 7**;

¡ATENCIÓN! – **No modifique el puente eléctrico presente en el conector** (fig. 8).

02. Con un destornillador plano, fije en el conector el **hilo Azul al borne nº 1** y el **hilo Marrón al borne de la toma de tierra (4)** (fig. 9):

Nota – *Los números y símbolos de referencia están impresos en el conector, en la parte inferior de los bornes y en la cara opuesta.*

03. Después de haber fijado los dos hilos, introduzca el conector en su protección (fig. 10).

Importante – **La posición correcta del conector es aquella con el símbolo de la toma de tierra colocado hacia abajo** (véase la fig. 10);

04. Posteriormente, tire del cable hacia fuera de la toma e introduzca en ésta la junta y la arandela (fig. 11-a-b). Por último, enrosque el prensaestopas (fig. 11-c) con una llave, a fin de cerrarlo herméticamente.

05. Después de haber ensamblado la toma, coloque en el lado de su conexión la junta suministrada (fig. 12).

6º PASO – Ensamblajes de la toma en “L” en el cable de alimentación

Si el cable fuera muy largo, acórtelo pelando los hilos de manera que sus longitudes sean **iguales** a aquellas indicadas en la **fig. A** (**¡atención!** – *si las longitudes fueran diferentes será difícil ensambalar la toma*).

Posteriormente, ensamble la toma en “L” de **color NEGRO** en el extremo del cable de alimentación, de la siguiente manera:

01. Introduzca en el cable los diferentes elementos que componen la toma, **respetando el orden** que se muestra en la **fig. 7**;

¡ATENCIÓN! – **No modifique el puente eléctrico presente en el conector** (fig. 8).

02. Con un destornillador plano, fije en el conector el **hilo Azul al borne nº 1** y el **hilo Marrón al borne de la toma de tierra (4)** (fig. 9):

Nota – *Los números y símbolos de referencia están impresos en el conector, en la parte inferior de los bornes y en la cara opuesta.*

03. Después de haber fijado los dos hilos, introduzca el conector en su protección (fig. 10).

Importante – **La posición correcta del conector es aquella con el símbolo de la toma de tierra colocado hacia abajo** (véase la fig. 10);

04. Posteriormente, tire del cable hacia fuera de la toma e introduzca en ésta la junta y la arandela (fig. 11-a-b). Por último, enrosque el prensaestopas (fig. 11-c) con una llave, a fin de cerrarlo herméticamente.

05. Después de haber ensamblado la toma, coloque en el lado de su conexión la junta suministrada (fig. 12).

7º PASO – Conexión del panel fotovoltaico SYP al acumulador PSY24

Para conectar el panel al acumulador, proceda de la siguiente manera:

01. Conecte la toma en “L” de **color GRIS** a la toma “IN” situada en el acumulador (fig. 14);

02. Fije la toma con el tornillo de seguridad suministrado, tomando como referencia la **fig. 15**. **Nota** – *Si se prevé desconectar seguido la toma del acumulador, utilice el tornillo de fig. 16-a. En caso contrario, utilice el tornillo indicado en la fig. 16-b.*

8º PASO – Conexión del acumulador PSY24 a la automatización

¡ATENCIÓN! – **Por cuestiones de seguridad, las operaciones descritas en este 8º Paso deben ser llevadas a cabo exclusivamente por un técnico cualificado y experto.**

Para conectar el acumulador al automatismo, proceda de la siguiente manera:

01. Acceda a la Central de mando del automatismo y conecte el conector del cable de alimentación en la toma destinada a la batería de compensación presente en la Central. *Para localizar esta toma, consulte el manual de instrucciones del automatismo que debe alimentar.*

02. Conecte la toma en “L” de **color NEGRO** a la toma “OUT” situada en el acumulador (fig. 17);

03. Fije la toma con el tornillo de seguridad suministrado, tomando como referencia la **fig. 18**. **Nota** – *Si se prevé desconectar seguido la toma del acumulador, utilice el tornillo de fig. 16-a. En caso contrario, utilice el tornillo indicado en la fig. 16-b.*

5 – Notas generales sobre el uso del sistema

Por lo general, en caso de no recargar el acumulador PSY24 adecuadamente, éste agotará su reserva de energía en pocos días. Por tal razón, al concluir la instalación, tras haber conectado el sistema al automatismo, el sistema podría no funcionar de inmediato (el acumulador podría estar descargado a causa del proceso normal de autodescarga que se produce con el tiempo, incluso cuando el producto está almacenado).

El acumulador PSY24 permite que el automatismo cumpla un número finito de ciclos de maniobras (véase la hoja contenida en el embalaje). Por consiguiente, si no se recarga constantemente con SYP, o de vez en cuando con SYA1, puede indicar el estado de batería descargada con parpadeos cíclicos del Led y los tonos de aviso (*bips*) (la señal puede ser momentánea o permanente).

Cuando se alimenta con SYP, la recarga puede ser afectada por las condiciones atmosféricas, y por el uso intensivo del automatismo (cuando se supera la cantidad máxima posible de ciclos de maniobras). Cuando esto se produce, el PSY24 podría señalar el estado de *batería descargada*.

La recarga de PSY24 puede restablecerse con uno de los siguientes modos:

- A)** - Limite el uso del automatismo mientras espera a que mejoren las condiciones de insolación, permitiendo así la recarga del acumulador de forma natural, aprovechando la conexión al panel fotovoltaico SYP. Para acelerar el proceso de recarga, desconecte el PSY24 de la central de mando del automatismo y espere algunos días para que el panel fotovoltaico SYP reciba suficiente energía solar para recargar el acumulador PSY24.
- B)** - Desconecte el acumulador PSY24 de la Central de mando del automatismo y del panel solar SYP (en su caso). Realice la recarga del PSY24 utilizando en un entorno protegido el cargador de batería de red fija SYA1.

Cuando el acumulador PSY24 se esté recargando (desde el panel fotovoltaico SYP o desde el cargador de batería SYA1), el Led rojo emitirá 2 destellos breves cada 5 segundos. Incluso después de la instalación, controle que dicha señal esté activa cuando el panel es iluminado por el sol.

La señal de *batería descargada* termina cuando el sistema alcanza una autonomía eléctrica suficiente para hacer funcionar el automatismo.

En caso de no utilizar el automatismo durante períodos prolongados, se recomienda desconectar del acumulador los conectores del automatismo y del panel fotovoltaico, y guardar el acumulador en un lugar fresco y seco.

QUÉ HACER SI... (guía para resolver los problemas)

- **La Central de mando de la automatización no se enciende y el acumulador PSY24 no da ninguna señal.**

Esto podría depender de las conexiones incorrectas o de los cables eléctricos que no están perfectamente conectados; o bien el acumulador PSY24 podría estar completamente descargado y no tener la energía suficiente para señalar el estado de *batería descargada*.

En este caso es necesario realizar una recarga rápida utilizando el cargador de batería SYA1, o esperar a que el panel fotovoltaico SYP, correctamente conectado, comience a recargar el acumulador PSY24.

- **El acumulador PSY24 tiende a descargarse muy rápido.**

Esto podría depender de un envejecimiento excesivo del acumulador por lo que sería oportuno reemplazarlo; o bien el motivo podría ser un uso muy intenso de la automatización, más allá del límite de utilización previsto en el Capítulo 3 de este manual.

- **El acumulador PSY24 no se recarga más.**

Esto podría depender de un funcionamiento incorrecto del panel fotovoltaico SYP a causa de una instalación incorrecta, de una conexión mal hecha de los cables, o de un desperfecto de funcionamiento del acumulador PSY24.

TRABAJOS DE MANTENIMIENTO PERIÓDICO

Por lo general, los dispositivos del sistema no requieren trabajos de mantenimiento específicos; sin embargo, un control regular permite mantener la instalación en buenas condiciones.

Para realizar un mantenimiento correcto, controle cada 6 meses que el panel fotovoltaico SYP no tenga suciedad acumulada (hojas, arena, etc.): esto podría disminuir su eficiencia.

Además, es necesario controlar si es necesario sustituir el acumulador PSY24 que, por su envejecimiento, podría reducir su autonomía.

ATENCIÓN – El acumulador PSY24 deberá ser sustituido exclusivamente por personal cualificado y experto.

ELIMINACIÓN

Eliminación de los dispositivos del sistema

Los presentes dispositivos forman parte del automatismo y, por consiguiente, deben eliminarse junto con el mismo.

Al igual que para las operaciones de instalación, también al final de la vida útil de estos dispositivos las operaciones de desguace deben ser llevadas a cabo por personal experto.

Estos dispositivos están formados de varios tipos de materiales: algunos pueden ser reciclados y otros deben ser eliminados. Infórmese sobre los sistemas de reciclaje o de eliminación previstos por las normativas vigentes locales para la categoría de estos dispositivos.

¡Atención! – algunas piezas de los dispositivos pueden contener sustancias contaminantes o peligrosas que, si se las abandonara en el medio ambiente, podrían provocar efectos perjudiciales para el mismo medio ambiente y para la salud humana.

Tal como indicado por el símbolo de aquí al lado, está prohibido arrojar estos dispositivos en los residuos urbanos. Realice la “recogida selectiva” para la eliminación, según los métodos previstos por las normativas vigentes locales, o bien entregue los dispositivos al vendedor cuando compre nuevos dispositivos equivalentes.



¡Atención! – las normas locales vigentes pueden prever sanciones importantes en el caso de eliminación abusiva de estos dispositivos.

Eliminación del acumulador PSY24

¡Atención! – El acumulador contiene sustancias contaminantes y, tras haberlo quitado, no debe ser eliminado con los residuos urbanos. Hay que eliminarlo o reciclarlo utilizando los métodos previstos por las normativas vigentes locales.

ALLGEMEINE SICHERHEITSHINWEISE UND MASSNAHMEN

Die Planung und Fertigung der Vorrichtungen, aus denen das System Solemyo besteht, sowie die im vorliegenden Handbuch enthaltenen Informationen entsprechen voll den gültigen Sicherheitsvorschriften. Trotzdem kann eine falsche Installation zu schweren Verletzungen der Personen führen, die die Arbeit ausführen und die Anlage benützen. Aus diesem Grund ist es während der Installation wichtig, aufmerksam alle in diesem Handbuch aufgeführten Anleitungen zu befolgen.

Die Installation nicht fortführen, wenn Zweifel jeglicher Art vorliegen und eventuell Hilfe beim Kundendienst Nice anfordern.

SICHER ARBEITEN!

Achtung – Für die Sicherheit von Personen ist es wichtig, sich an diese Anweisungen zu halten.

Achtung – Für die Sicherheit wichtige Anweisungen: aufbewahren.

Befolgen Sie diese Hinweise:

- Ausschließlich die in diesem Handbuch vorgesehenen elektrischen Anschlüsse ausführen: Eine falsche Ausführung der Anschlüsse könnte dem System schwerwiegende Schäden zufügen.
- Wenn das Speisungskabel in der Verpackung im Außenbereich verwendet wird, muss es ganz mit einem spezifischen Stromkabelschutzrohr geschützt werden.
- Nicht mit Metallgegenständen Steckerbuchsen berühren, die sich an der Hülle des Akkumulators befinden.

Unter Berücksichtigung der Risiken, die bei der Installation und der Bedienung des Systems auftreten können, muss das Produkt in der Verpackung unter Beachtung der folgenden Hinweise installiert werden:

- führen Sie nur die Änderungen an Vorrichtungen aus, die im vorliegenden Handbuch vorgesehen sind. Vorgänge dieser Art werden nur Betriebsstörungen verursachen. Der Hersteller übernimmt keinerlei Haftung für Schäden, die durch willkürlich veränderte Vorrichtungen entstanden sind.
- bringen Sie die Vorrichtungen nicht in der Nähe von Wärmequellen oder freien Flammen an. Solche Handlungen können Betriebsstörungen, Brand und Gefahren verursachen.
- die Vorrichtungen sollten bei der Installation nicht in Wasser oder andere Flüssigkeit getaucht werden. Verhindern Sie bei der Installation, dass Flüssigkeiten in die Vorrichtungen eindringen können.
- das Verpackungsmaterial der Vorrichtungen muss unter genauester Einhaltung der örtlichen Vorschriften entsorgt werden.

Achtung! – Bewahren Sie das vorliegende Handbuch sorgfältig auf, um zukünftige Entsorgungs- oder Wartungsarbeiten an den Vorrichtungen zu erleichtern.

1 – Beschreibung und einsatz

SOLEMYO ist ein unabhängiges Einspeisungssystem für Automatismen Nice für Tore und Garagentore (die Liste der angeordneten Automatisierungen ist in der Verpackung des Produkts enthaltenen Blatt aufgeführt und auch im Site www.niceforyou.com einsehbar).

Jeder andere Einsatz ist unsachgemäß! Der Hersteller übernimmt keinerlei Haftung für Schäden infolge von unsachgemäßem Gebrauch der verschiedenen Vorrichtungen des Systems, der anders ist als im vorliegenden Handbuch vorgesehen.

Das System Solemyo ist besonders für die Speisung von Automatisierungen geeignet, die von dem Feststromnetz entfernt liegen.

Es besteht aus 3 Grundvorrichtungen, deren Kombination unterschiedliche Konfigurationen ermöglicht, die in der Lage sind, Sonnenenergie oder Stromnetzenergie zu speichern, um sie zu verwenden, wenn die Automatisierung, in der das System installiert ist, dies fordert.

Die verschiedenen Vorrichtungen des Systems sind in den folgenden Verpackungen erhältlich:

– **PSY24:** Das Herz des Systems. Die Vorrichtung kann die durch SYP während den Sonnenstunden erzeugte elektrische Energie speichern und sie zu jeder Stunde des Tages zur Verfügung stellen, einschließlich an Schlechtwettertagen. Dieselbe Vorrichtung kann auch die durch das Festnetz abgegebene elektrische Energie über SYA1 speichern. Die Verpackung enthält den Akkumulator PSY24, die Kabel, die Stecker für den Anschluss an die Automatisierung, die Kleinteile zur Befestigung und diese Gebrauchsanleitung.

– **SYP:** Es handelt sich um eine Vorrichtung, die Solarenergie direkt in Strom umwandelt. Die Verpackung enthält ein Photovoltaik-Kollektor SYP für das Aufladen von PSY24, sowie die Befestigungskleinteile;

– **SYKCE:** Es handelt sich um ein vollständiges Set für die selbstständige Photovoltaikspeisung. Die Verpackung enthält die Vorrichtungen PSY24 und SYP, die Kabel, die Stecker für den Anschluss an die Automatisierung, die Kleinteile zur Befestigung und diese Gebrauchsanleitung.

– **SYA1:** Es handelt sich um eine Vorrichtung, die das regelmäßige Aufladen oder die Notaufladung von PSY24 durch das Feststromnetz und in einem geschützten Raum ermöglicht. Die Verpackung enthält ein Batterieladegerät SYA1.

2 – Überprüfungen vor der Installation

Zur Festsetzung der Systemeignung gegenüber dem zu speisenden Automatismus, werden die in diesem Kapitel beschriebenen Prüfungen vorgenommen und ihre Konformität auch aufgrund der technischen Daten laut Kapitel **“Technische Eigenschaften”** kontrolliert.

An dem zu speisenden Automatismus den geeigneten Punkt zur Installation des Kollektors für Photovoltaik und den zur Installation des Akkumulator herausstellen, wobei folgende Einschränkungen in Betracht gezogen werden müssen:

- a) die in diesem Kapitel beschriebenen Anwendungslimits;
- b) Die Höchstlänge des Speisekabels (3 m) und die des Photovoltaik-Kollektors (3 m);
- c) der verfügbare Platz am zu speisenden Automatismus.

Außerdem müssen die folgenden Prüfungen vorgenommen werden:

- d) prüfen, ob die gewählten Flächen zur Befestigung der beiden Vorrichtungen solides Material aufweisen und eine stabile Befestigung gewährleisten.
- e) prüfen, ob jede zu installierende Vorrichtung in einer vor plötzlichen Stößen geschützten Position angebracht ist.
- f) insbesondere für jede Vorrichtung folgendes prüfen:

SYK Kollektor für Photovoltaik

– prüfen, ob der zur Installation des Kollektors gewählte Ort eine 100% ige **direkte Sonneneinstrahlung (volle Sonne)** an jedem Tag des Jahres garantiert.

– prüfen, ob der zur Installation des Kollektors gewählte Punkt entfernt von Pflanzen, Mauern oder anderen Situationen liegt, die auch teilweise Schatten auf die lichtempfindliche Oberfläche werfen können. **Achtung! – Diese Oberfläche muss direkt und überall von den Sonnenstrahlen beleuchtet werden; ein teilweiser auch kleiner Schattenbereich (zum Beispiel aufgrund eines Blatts oder ähnliches) reduziert die Energiekapazität des Kollektors erheblich.**

– Die Möglichkeit prüfen, den Kollektor korrekt **auszurichten** und **zu neigen**, indem man sich auf die Anleitungen des Kapitels 4 bezieht.

PSY24 Akkumulator

Für eine optimale Effizienz und eine lange Lebensdauer des Akkumulators

sollte dieser an einer Stelle in der Nähe des zu speisenden Automatismus installiert werden; diese Stelle muss ihn vor hohen Sommer – und niedrigen Wintertemperaturen schützen. Die **Ladeleistung des Akkumulators** hängt effektiv von der Umgebungstemperatur ab, unter der er installiert wird. Die **optimale Effizienz wird bei durchschnittlichen Temperaturen erreicht**, während diese bei niedrigen Temperaturen bedeutend sinkt. Die **Lebensdauer des Akkumulators** wird dagegen durch **hohe Sommertemperaturen** beeinflusst, die die **Alterung der Bestandteile beschleunigen**. Normalerweise beträgt die durchschnittliche Lebensdauer der Batterien zirka 4-5 Jahre; das hängt auch von der Intensität ab, mit der die Automatisierung genützt wird.

SYA1 Batterieladegerät

Bezugnahme auf das spezifische Kapitel in der Gebrauchsanleitung der Vorrichtung.

3 – Anwendungslimits des Systems

SEHR WICHTIG

- Wenn die Automatisierung durch das System "Solemyo" gespeist wird, **darf diese auf keinen Fall gleichzeitig mit Strom gespeist werden.**
- Die Vorrichtungen SYP und SYA1, die der Vorrichtung PSY24 Energie geben, werden abwechselnd eingesetzt und können nicht gleichzeitig verwendet werden.

• für die Photovoltaikspeisung (mit SYP)

Die Graphiken A, B und C zeigen die verfügbare Sonnenenergie aufgrund des Breitengrads des Orts in jedem Moment des Sonnenjahrs an, wobei die Automation ausschließlich mit den Vorrichtungen PSY24 und SYP gespeist wird. Die Kurve jeder Graphik wird erstellt, indem die Menge des Tageslichts in Betracht gezogen wird, die an einem bestimmten Breitengrad während eines Jahres registriert wurde.

Um die höchst mögliche Zykluszahl pro Tag zu erreichen, wie folgt vorgehen.

01. In der Graphik A, B oder C (je nach Breitengrad, in dem sich Ihre Anlage befindet), den entsprechenden Zeitraum des Jahres herausuchen, dann auf der vertikalen Achse den **Wert "Cb"** auffinden, der diesem Zeitraum entspricht, wobei man wie im aufgeführten Beispiel der Graphik vorgeht.
02. Schließlich wird dieser **Wert "Cb"** verwendet, um die Kalkulierungen des in der Verpackung enthaltenen Blatts auszuführen.

Achtung – Wenn der Photovoltaikkollektor während des Tags teilweise im Schatten verbleibt (insbesondere von 10.00 bis 14.00 Uhr), reduziert sich die mögliche Höchstzahl der Bewegungszyklen aufgrund der fehlenden Sonnenaussetzungsstunden des Kollektors.

Achtung – Zur Erhöhung der täglichen Höchstzykluszahl, muss der Verbrauch der Automatisierung reduziert werden. Aus diesem Grund ist es wichtig, in den Steuerungen der Automatisierungen die Funktion „Standby“ zu programmieren, indem das wirksamste Niveau eingestellt wird (Bezugnahme auf das Handbuch der Automatisierung).

• für die Speisung aus dem Feststromnetz (mit SYA1)

Das Aufladen des Akkumulators PSY24 aus dem Feststromnetz muss in einer geschützten Umgebung ausgeführt werden, wobei zuvor PSY24 von dem Kollektor SYP und der Automatisierung getrennt wird.

INSTALLIERUNG DES SYSTEMS

4 – Zusammenbau und anschluss der komponenten

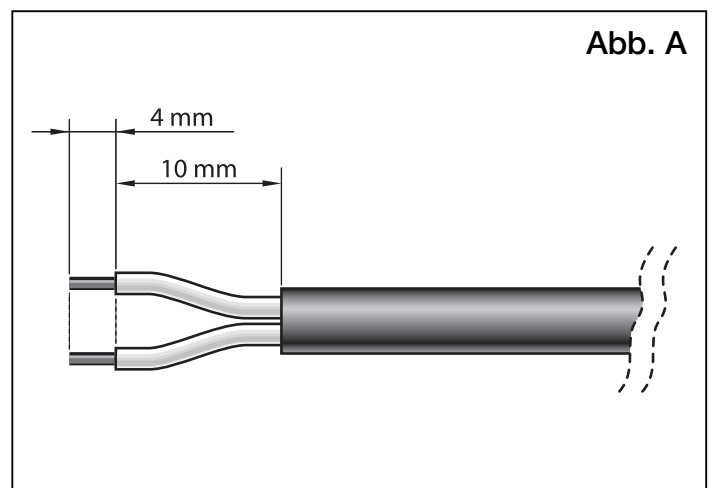
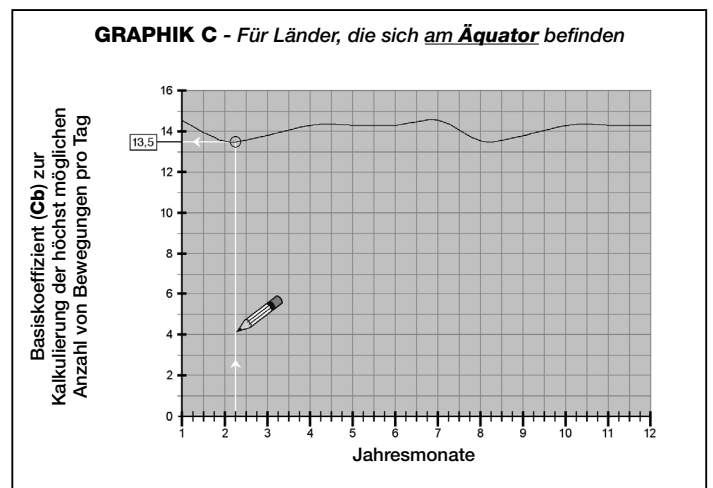
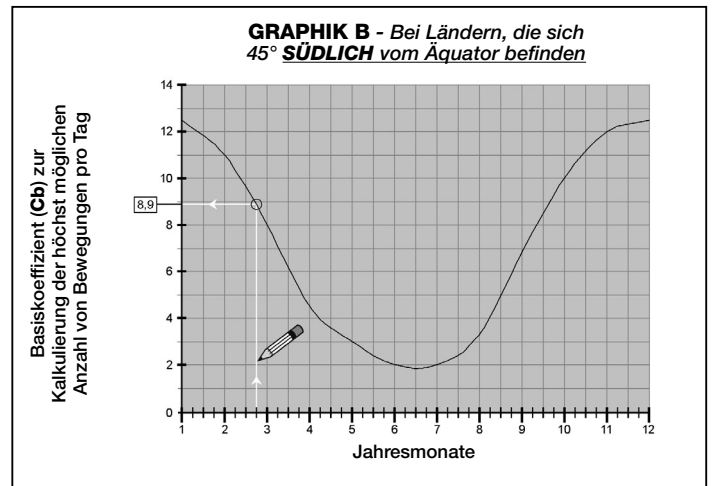
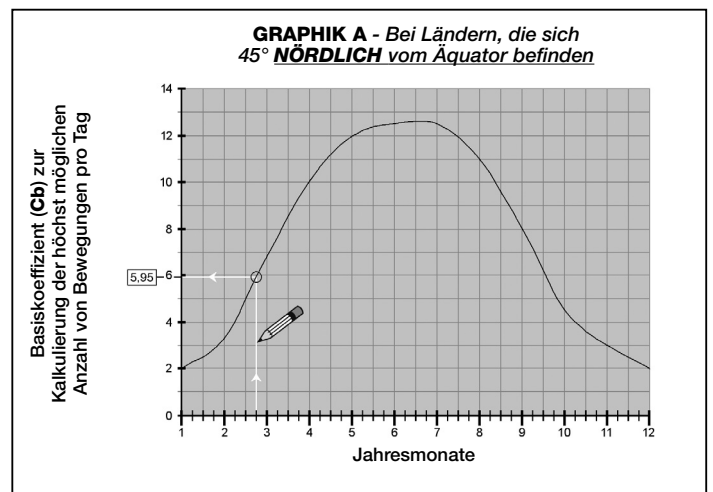
SCHRITT 1 – Optimale Position des Photovoltaik-Kollektors SYP

Generell muss der Kollektor so positioniert werden, dass er konstant über den ganzen Tag und in jedem Moment des Jahres von der Sonne beleuchtet wird. Das wird erreicht, indem er waagrecht wie senkrecht genau ausgerichtet wird, wobei diese Positionen aufgrund des Orts kalkuliert werden, an dem der Kollektor installiert wird.

Somit werden nach den Prüfungen des Kapitels 2 und der Berücksichtigung der verschiedenen Installierungsmöglichkeiten des Kollektors – siehe **Abb. 6** – die folgenden Vorgänge ausgeführt:

• Die **korrekte Ausrichtung des Kollektors auf der waagrechten Fläche definieren**, wobei wie folgt vorgegangen wird:

- a) Am Installationsort werden die Himmelsrichtungen **NORDEN** und **SÜDEN** mithilfe eines Kompasses oder mit einer Karte des Orts herausgestellt.



b) Schließlich wird der Kollektor in Richtung NORDEN oder SÜDEN aufgrund der folgenden Bewertungen ausgerichtet:

- Wenn der Installierungsort sich in einem **Land nördlich des Äquators** befindet (USA, Europa, Russland, usw.) muss der Kollektor **genau nach SÜDEN** ausgerichtet werden;
- Wenn der Installierungsort sich in einem **Land südlich des Äquators** befindet (Lateinamerika, Australien, Indonesien, usw.), muss der Kollektor **genau nach NORDEN** ausgerichtet werden.

Für weitere Details siehe **Abb. 4**.

• **Die korrekte Ausrichtung des Kollektors auf der vertikalen Fläche definieren**, indem wie folgt vorgegangen wird:

Es ist vorzuziehen, die maximale Effizienz des Kollektors im Winter zu erhalten, d.h. wenn die täglichen Sonnenstunden geringer als im Sommer sind; somit muss der Kollektor mit einer Neigung ausgerichtet werden, dass die Sonnenstrahlen senkrecht (frontal) zur lichtempfindlichen Fläche erhalten werden.

Diese Neigung entspricht dem Breitengrad des Orts und kann aus jeder Landkarte entnommen werden: zum Beispiel besitzt Madrid den Breitengrad 40°; Venedig 45°; London zirka 50° usw. Für weitere Details siehe **Abb. 5**.

SCHRITT 2 – Befestigung des Kollektors für Photovoltaik SYP am gewählten Ort

Nachdem die Position des Kollektors genau festgesetzt wurde, werden alle Bestandteile seines Trägerbügels gemäß den Anleitungen der **Abb. 3** zusammengesetzt.

Schließlich wird der Bügel des Kollektors auf der gewählten Oberfläche wie in **Abb. 6** gezeigt befestigt.

SCHRITT 3 – Befestigung des Akkumulators PSY24 am gewählten Ort

Nachdem die Prüfungen des Kapitels 2 ausgeführt wurden und die Position genau festgesetzt wurde, wo der Speicher angebracht werden soll, wird dieser auf der gewählten Oberfläche wie in **Abb. 13** befestigt. **Anmerkung:** Zur Befestigung die 2 unten angebrachten Schrauben nur benutzen, wenn der Speicher fest und nicht entfernbar befestigt werden soll.

SCHRITT 4 – Kabeldurchgang

WICHTIG! – Wenn das Speisungskabel in der Verpackung im Außenbereich verwendet wird, muss es ganz mit einem spezifischen Stromkabelschutzrohr geschützt werden.

Nachdem der Kollektor und der Akkumulator befestigt wurden, das Kabel des Kollektors durch das Schutzrohr oder den Kabelkanal bis zum Akkumulator verlegen.

In Bezug auf die Gebrauchsanleitung des zu speisenden Automatismus wird der Schutzdeckel der Steuerzentrale entfernt. Dann das Ende des Speisekabels mit frei liegenden Drähten durch den Automatismus führen (wo die anderen Kabel durchgehen) und aus dem Automatismus durch den hierfür vorgesehenen Kabeldurchgang austreten lassen. Schließlich das Kabel durch die eventuelle Schutzführung bis zum Akkumulator führen.

Achtung! – Das Speisekabel nicht an die Zentrale anschließen; den Zugang zur Zentrale geöffnet und den Kabeldurchgang gelockert lassen.

SCHRITT 5 – Zusammenbau der "Pipetten"-Steckerbuchse am Kabel des Kollektors für Photovoltaik SYP

Wenn das Kabel zu lang ist, kann es gekürzt werden, wobei darauf geachtet werden muss, dass die Drähte freigelegt werden, damit ihre Länge **gleich** derjenigen ist, die in der folgenden **Abb. A** dargestellt ist (**Achtung!** – Unterschiedliche Längen beeinträchtigen den folgenden Zusammenbau der Steckerbuchse).

Dann zum Zusammenbau der **grauen** "Pipetten"-Steckerbuchse am Ende des Kabels des Kollektors wie folgt übergehen:

01. Am Kabel die verschiedenen Bestandteile der Steckerbuchse einfügen, wobei die Reihenfolge laut **Abb. 7** eingehalten werden muss.

ACHTUNG! – Die elektrische Brücke am Steckverbinder nicht ändern (**Abb. 8**).

02. Mit einem geraden Schraubenzieher, am Steckverbinder den **roten Draht an der Klemme Nr. 1** und den **schwarzen Draht** an der Klemme der Erdsteckerbuchse befestigen (**4**) (**Abb. 9**):

Anmerkung – Die Nummern und Bezugssymbole sind auf dem Steckverbinder unterhalb der Klemmen und auf der entgegen gesetzten Seite aufgedruckt.

03. Nachdem die beiden Kabel befestigt wurden, den Steckverbinder in seinen Schutz einsetzen (**Abb. 10**).

Wichtig – Die korrekte Position des Steckverbinders ist diejenige mit dem Symbol der Erdsteckerbuchse, die nach unten zeigt (siehe **Abb. 10**);

04. Dann das Kabel nach außen ziehen und die Dichtung und die Scheibe in die Steckerbuchse einsetzen (**Abb. 11-a-b**). Schließlich den Kabelhalter einschrauben (**Abb. 11-c**), wobei ein Schlüssel benützt wird, um einen vollständig dichten Verschluss zu erreichen.

05. Nachdem die Steckerbuchse zusammengebaut wurde, an der Anschlussseite dieser die mitgelieferte Dichtung anbringen (**Abb. 12**).

SCHRITT 6 – Zusammenbau der "Pipetten"-Steckerbuchse am Speisekabel

Wenn das Kabel zu lang ist, kann es gekürzt werden, wobei die Drähte so befreit werden müssen, dass die Länge **gleich** derjenigen ist, die in der folgenden **Abb. A** gezeigt wird (**Achtung!** – unterschiedliche Längen beeinträchtigen den folgenden Zusammenbau der Steckerbuchse).

Dann zum Zusammenbau der **SCHWARZEN** "Pipetten"-Steckerbuchse am Ende des Speisekabels wie folgt übergehen:

01. Am Kabel die verschiedenen Bestandteile der Steckerbuchse gemäß der in **Abb. 7** gezeigten Reihenfolge einführen;

ACHTUNG! – Die elektrische Brücke am Steckverbinder nicht ändern (**Abb. 8**).

02. Mit einem geraden Schraubenzieher, am Steckverbinder den **blauen Draht an der Klemme Nr. 1** und den **braunen Draht** an der Klemme der Erdsteckerbuchse befestigen (**4**) (**Abb. 9**):

Anmerkung – Die Nummern und Bezugssymbole sind auf dem Steckverbinder unterhalb der Klemmen und auf der entgegen gesetzten Seite aufgedruckt.

03. Nachdem die beiden Kabel befestigt wurden, den Steckverbinder in seinen Schutz einsetzen (**Abb. 10**).

Wichtig – Die korrekte Position des Steckverbinders ist diejenige mit dem Symbol der Erdsteckerbuchse, die nach unten zeigt (siehe **Abb. 10**);

04. Dann das Kabel nach außen ziehen und die Dichtung und die Scheibe in die Steckerbuchse einsetzen (**Abb. 11-a-b**). Schließlich den Kabelhalter einschrauben (**Abb. 11-c**), wobei ein Schlüssel benützt wird, um einen vollständig dichten Verschluss zu erreichen.

05. Nachdem die Steckerbuchse zusammengebaut wurde, an der Anschlussseite dieser die mitgelieferte Dichtung anbringen (**Abb. 12**).

SCHRITT 7 – Anschluss des Kollektors für Photovoltaik SYP an den Akkumulator PSY24

Zum Anschluss des Kollektors an den Akkumulator wie folgt vorgehen:

01. Die **graue** "Pipetten"-Steckerbuchse an die Steckerbuchse "IN" am Akkumulator anschließen (**Abb. 14**);

02. Die Steckerbuchse mit der mitgelieferten Sicherheitsschraube befestigen, wobei man sich auf die **Abb. 15** bezieht. **Anmerkung** – Wenn man vorsieht, die Steckerbuchse oft vom Akkumulator zu trennen, wird die Schraube laut **Abb. 16-a** benützt. Ansonsten die Schraube laut **Abb. 16-b** benützen.

SCHRITT 8 – Anschluss des Akkumulators PSY24 an den Automatismus

ACHTUNG! – Aus Sicherheitsgründen dürfen die in diesem Schritt 8 beschriebenen Vorgänge nur durch qualifizierte und kompetente Techniker ausgeführt werden.

Um den Speicher mit der Automatisierung zu verbinden, wie folgt vorgehen:

01. Zur Steuerung der Automatisierung Zugang erhalten und den Stecker des Speisekabels in die Steckdose für die Pufferbatterie stecken, die sich in der Steuerung befindet. Um diese Steckdose herauszustellen, bezieht man sich auf die Gebrauchsanleitung der zu speisenden Automatisierung.

02. Die **SCHWARZE** "Pipetten"-Steckdose an die Steckdose "OUT" am Speicher anschließen (**Abb. 17**);

03. Die Steckdose mit der mitgelieferten Sicherheitsschraube befestigen, indem man sich auf die **Abb. 18** bezieht. **Anmerkung:** Wenn vorausgesehen werden kann, dass die Steckdose oft vom Speicher getrennt wird, muss die Schraube der **Abb. 16-a** benützt werden, ansonsten die Schraube der **Abb. 16-b** benützen.

5 – Allgemeine Hinweise über die Verwendung des Systems

Wenn der Akkumulator PSY24 nicht korrekt aufgeladen ist, erschöpft seine Reserve binnen weniger Tagen. Aus diesem Grund könnte die Anlage am Ende der Installation und nach Anschluss des Systems an die Automatisierung nicht sofort betriebsbereit sein (der Sammler könnte aufgrund des normalen Selbstentladungsverfahrens mit der Zeit leer werden, was zum Beispiel auch passieren kann, wenn das Produkt auf Lager gehalten wird).

Der Akkumulator PSY24 ermöglicht der Automatisierung eine bestimmte Bewegungszykluszahl (Bezugnahme: Verpackungsbeiblatt). Wenn er somit nicht ständig mit SYP oder gelegentlich mit SYA1 aufgeladen wird, kann der Zustand *leere Batterie* durch ein zyklisches Blinken der Leds und der hörbaren *Beeps* angezeigt werden (die Anzeige kann vorübergehend oder ständig erfolgen).

Insbesondere wenn er mit SYP gespeist wird, kann das Aufladen durch die Wettereinflüsse beeinträchtigt werden, oder durch die intensive Nutzung der Automatisierung (wenn die mögliche Bewegungshöchstzahl überschritten wird). Wenn dies erfolgt könnte PSY24 den Zustand *leere Batterie* anzeigen. Das Aufladen von PSY24 kann mit einer der folgenden Vorgehensweisen wieder hergestellt werden:

- A)** - Die Anwendung der Automatisierung einschränken und darauf warten, dass die Insolation besser wird und der Akkumulator so durch den Photovoltaikkollektor SYP wieder natürlich aufgeladen wird.
Um das Aufladeverfahren zu beschleunigen, wird PSY24 von der Steuerung der Automatisierung getrennt und einige Tage abgewartet, bis das Photovoltaikkollektor SYP ausreichend Sonnenenergie erhält, um den Akkumulator PSY24 wieder aufzuladen.
- B)** - Den Akkumulator PSY24 von der Steuerung der Automatisierung und dem Kollektor SYP (wenn vorhanden) trennen. Dann das Aufladen von PSY24 in einem geschützten Ort durch das Batterieladegerät mit Festnetzspeisung SYA1 vornehmen.

Wenn der Akkumulator PSY34 geladen wird (durch Photovoltaikkollektor SYP oder durch Batterieladegerät SYA1), blinkt die rote Led alle 5 Sekunden 2 Mal kurz auf. Prüfen, ob diese Signalisierung auch nach der Installation vorliegt, wenn der Kollektor von der Sonne bestrahlt wird.

Die Anzeige *leere Batterie* endet, wenn das System eine ausreichende elektrische Autonomie erreicht hat, um die Automatisierung in Betrieb zu setzen.

Wenn die Automatisierung dagegen längere Zeit nicht verwendet wird, empfehlen wir, von dem Akkumulator die Stecker der Automatisierung und des Photovoltaikkollektors zu trennen und den Akkumulator an einem kühlen und trockenen Ort aufzubewahren.

WAS TUN, WENN... (Leitfaden zum Lösen von Problemen)

- **Die Steuerung der Automatisierung schaltet nicht ein und der Akkumulator (Mod. PSY24) zeigt nichts an.**

Das könnte von den nicht korrekten Anschlüssen oder nicht perfekt eingesteckten Kabeln abhängen; oder der Akkumulator PSY24 könnte vollständig leer sein oder keine ausreichende Energie besitzen, um den Zustand *leere Batterie* anzuzeigen.

In diesem Fall ist es notwendig, ein schnelles Aufladen mit dem Batterieladegerät SYA1 vorzunehmen oder abzuwarten, bis der korrekt angeschlossene Photovoltaikkollektor SYP wieder beginnt, den Akkumulator PSY24 zu laden.

- **Der Akkumulator PSY24 entlädt sich zu schnell.**

Das könnte von einer zu starken Alterung des Akkumulators abhängen, somit muss er ausgetauscht werden; die Ursache könnte auch eine zu intensive Anwendung der Automatisierung sein, über den in diesem Handbuch (Kapitel 3) vorgesehenen Limits hinaus.

- **Die Akkumulator PSY24 lädt sich nicht mehr auf.**

Das könnte von einer mangelhaften Funktion des Kollektors für Photovoltaik SYP aufgrund einer falschen Installation oder von einer mangelhaften Funktion des Akkumulators PSY24 abhängen.

REGELMÄSSIGE WARTUNGSARBEITEN

Normalerweise benötigen die Systemvorrichtungen keine besonderen Instandhaltungen, eine regelmäßige Kontrolle hält die Anlage jedoch immer in einem guten Zustand.

Zur Ausführung einer korrekten Wartung sollte somit alle 6 Monate kontrolliert werden, dass der Kollektor für Photovoltaik SYP keinen Schmutz angesammelt hat (Blätter, Sand, usw.); dieser Schmutz könnte die Wirksamkeit beeinträchtigen.

Außerdem ist es notwendig zu prüfen, ob der Akkumulator PSY24 ersetzt werden muss, da seine Autonomie aufgrund seines Alters mit der Zeit reduziert sein könnte.

ACHTUNG – Der eventuelle Austausch des Akkumulators PSY24 darf ausschließlich von qualifiziertem und erfahrendem Personal ausgeführt werden.

ENTSORGUNG

Entsorgung der Systemvorrichtungen

Die Vorrichtungen sind ein vervollständigender Teil der Automatisierung und müssen somit gemeinsam entsorgt werden.

Wie die Installationsarbeiten muss auch die Abrüstung am Ende der Lebensdauer dieser Vorrichtungen von Fachpersonal ausgeführt werden.

Diese Vorrichtungen bestehen aus verschiedenen Stoffen: Einige können recycelt werden, andere müssen dagegen entsorgt werden. Informieren Sie sich bitte über die Recycle- oder Entsorgungssysteme, die von den in Ihrem Gebiet geltenden Vorschriften für die Kategorie dieser Vorrichtungen vorgesehen sind.

Achtung! - Bestimmte Teile der Vorrichtungen können Schadstoffe oder gefährliche Substanzen enthalten, die bei Gelangen in die Umwelt, schädliche Wirkungen auf die Umwelt und die Gesundheit der Menschen haben könnten.

Wie durch das Symbol seitlich angegeben, ist es verboten, diese Vorrichtungen zum Haushaltsmüll zu geben. Daher differenziert nach den Methoden entsorgen, die von den auf Ihrem Gebiet gültigen Verordnungen vorgesehen sind, oder die Vorrichtungen dem Verkäufer beim Kauf neuer, gleichwertiger Vorrichtungen zurückgeben.



Achtung! – Die örtlichen Verordnungen können schwere Strafen im Fall einer widerrechtlichen Entsorgung dieser Vorrichtungen vorsehen.

Entsorgung des Akkumulators PSY24

Achtung! - Die Batterie enthält Schadstoffe und darf nach der Entfernung nicht in den Hausmüll gegeben werden. Er muss bei Anwendung von Methoden entsorgt oder recycelt werden, die von den in Ihrem Gebiet geltenden Bestimmungen vorgesehen sind.

OGÓLNE ZALECENIA I OSTRZEŻENIA
DOTYCZĄCE BEZPIECZEŃSTWA

Projekt i produkcja urządzeń składających się na system Solemyo, a także informacje zawarte w niniejszej instrukcji są w pełni zgodne z obowiązującymi normami bezpieczeństwa. Pomimo to nieprawidłowy montaż i programowanie mogą doprowadzić do ciężkich urazów osób wykonujących daną pracę lub użytkowników instalacji. W związku z tym, podczas montażu, należy postępować ściśle według zaleceń zawartych w niniejszej instrukcji.

W przypadku jakichkolwiek wątpliwości, nie przystępuj do instalacji, ale zwróć się o ewentualne wyjaśnienia do Serwisu Technicznego Nice.

PRACUJĄC ZACHOWAJ ZASADY BEZPIECZEŃSTWA!

Uwaga – Dla bezpieczeństwa osób ważne jest przestrzeganie poniższych zaleceń.

Uwaga – Zalecenia ważne dla bezpieczeństwa. Zachować poniższe zalecenia.

Przestrzegaj następujących zaleceń:

- wykonuj wyłącznie podłączenia elektryczne przewidziane w niniejszej instrukcji. Niewłaściwe wykonanie podłączeń mogłoby doprowadzić do poważnego uszkodzenia systemu.
- Jeżeli przewód zasilający znajdujący się w opakowaniu jest używany na zewnątrz budynków należy zabezpieczyć go w całości specjalną rurą ochronną przeznaczoną dla przewodów elektrycznych.
- nie dotykaj metalowymi przedmiotami metalowych części gniazd, umieszczonych na osłonie akumulatora.

Biorąc pod uwagę ryzyko, które może wystąpić na różnych etapach montażu i użytkowania systemu, podczas montażu elementów należy pamiętać o następujących ostrzeżeniach:

- nie wprowadzaj zmian do żadnej części urządzeń, jeżeli nie są one przewidziane w tej instrukcji. Operacje niedozwolone mogą wyłącznie powodować nieprawidłowe funkcjonowanie urządzenia. Producent zrzeka się wszelkiej odpowiedzialności za szkody wynikające z używania urządzeń modyfikowanych samowolnie.
- nie umieszczaj urządzeń w pobliżu źródeł ciepła i nie narażaj ich na działanie otwartego ognia. Te działania mogą być przyczyną uszkodzenia zasilacza i nieprawidłowego funkcjonowania, pożaru lub sytuacji niebezpiecznych.
- unikaj zetknięcia urządzeń z wodą lub innymi płynami. W czasie montażu zapobiegaj przedostawaniu się płynów do wnętrza urządzeń.
- opakowania urządzeń muszą być użytkowane zgodnie z lokalnymi przepisami obowiązującymi na danym terytorium.

Uwaga! – Starannie przechowuj tę instrukcję obsługi w celu ułatwienia ewentualnych przyszłych operacji konserwacji i użycia urządzeń.

1 – Opis i przeznaczenie użytkowania

SOLEMYO to autonomiczny system zasilania przeznaczony dla instalacji automatyki Nice do bram wjazdowych i garażowych (wykaz przystosowanych urządzeń podany jest w ulotce załączonej w opakowaniu, można go również znaleźć na stronie internetowej www.niceforyou.com).

Każde inne zastosowanie jest niewłaściwe! Producent nie odpowiada za szkody wynikające z niewłaściwego używania różnych urządzeń systemu, odmiennie od przewidzianego w tej instrukcji.

Ten system jest szczególnie zalecany do zasilania instalacji automatyki znajdujących się w większej odległości od stałej sieci elektrycznej.

Składa się z 3 podstawowych urządzeń, których połączenie umożliwia użytkowanie różnych konfiguracji, będących w stanie magazynować energię słoneczną lub uzyskiwaną z sieci elektrycznej, aby móc ją następnie wykorzystywać w przypadku konieczności przez automatykę, w której ten system został zainstalowany.

Różne urządzenia systemu są do dyspozycji w następujących opakowaniach:

– **PSY24:** jest sercem systemu. Może magazynować energię elektryczną produkowaną przez panel fotoelektryczny SYP podczas godzin słonecznych, udostępniając ją o każdej porze dnia, włącznie z dniami charakteryzującymi się niepogodą. To samo urządzenie może również magazynować energię elektryczną pobieraną z sieci stałej, poprzez zasilacz SYA1. Opakowanie zawiera akumulator PSY24, przewody, złączki umożliwiające podłączenie automatyki, elementy montażowe oraz tę instrukcję;

– **SYP:** to urządzenie jest w stanie zamieniać światło słoneczne bezpośrednio na energię elektryczną. Opakowanie zawiera panel fotoelektryczny SYP, umożliwiający doładowywanie akumulatora PSY24 oraz elementy montażowe;

– **SYKCE:** jest kompletnym zestawem umożliwiającym automatyczne zasilanie fotoelektryczne. Opakowanie zawiera akumulator PSY24, panel SYP, przewody, złączki umożliwiające podłączenie do automatyki, elementy montażowe oraz instrukcję obsługi;

– **SYA1:** jest urządzeniem, które umożliwia okresowe lub awaryjne doładowywanie PSY24 ze stałej sieci elektrycznej w zabezpieczonym otoczeniu. Opakowanie zawiera ładowarkę do akumulatorów SYA1.

2 – Kontrole wstępne do wykonania przed montażem

W celu ustalenia czy system odpowiada pod względem parametrów zasilanej automatyce, przeprowadź kontrole opisane w tym rozdziale i sprawdź zgodność uzyskanych wyników z danymi technicznymi, które zostały przedstawione w rozdziale **“Parametry techniczne”**. Wybierz w pobliżu automatyki przeznaczony do zasilania najbardziej odpowiednie miejsce, w którym możesz zamontować panel fotoelektryczny i akumulator, uwzględniając następujące ograniczenia:

- a) ograniczenia eksploatacyjne opisane w niniejszym rozdziale;
- b) maksymalna długość przewodu zasilającego (3 m) oraz długość przewodu panelu fotoelektrycznego (3 m);
- c) przestrzeń do dyspozycji w pobliżu zasilanej automatyki.

Ponadto przeprowadź następujące kontrole:

- d) sprawdź czy powierzchnie wybrane do montażu obu urządzeń są wykonane z trwałego materiału i czy gwarantują stabilne przymocowanie.
- e) upewnij się czy każde urządzenie przeznaczone do instalacji zostało umieszczone w położeniu zabezpieczonym przed przypadkowymi uderzeniami.
- f) a w szczególności w każdym urządzeniu sprawdź, co następuje:

panel fotoelektryczny SYP

- upewnij się czy miejsce wybrane do montażu panelu gwarantuje 100% bezpośredniego nasłonecznienia (pełne słońce), każdego dnia w roku.
- upewnij się czy miejsce wybrane do montażu panelu znajduje się z dala od roślinności, ścian lub innych elementów, które mogłyby spowodować powstawanie plam cienia - **nawet małych** - na jego powierzchni. **Uwaga!** – **ta powierzchnia musi być oświetlana w każdym miejscu przez bezpośrednio padające promienie słoneczne; częściowy cień, występujący również na małych powierzchniach (spowodowany na przykład przez liść lub inne podobne elementy), znacznie redukuje wydajność energetyczną panelu.**

- sprawdzić możliwość prawidłowego **ustawienia** i **nachylenia** panelu, w odniesieniu do instrukcji zawartych w rozdziale 4.

akumulator PSY24

Aby uzyskać optymalną wydajność i długi okres eksploatacji akumulatora

zaleca się jego montaż w pobliżu zasilanej automatyki, w miejscu chronionym przed wysoką temperaturą w lecie i niską temperaturą w zimie.

Wydajność ładunku akumulatora zależy bowiem właśnie od temperatury otoczenia, w którym jest on zamontowany: optymalną wydajność uzyskuje się w średnich temperaturach, zaś w niskich temperaturach odnotowuje się jej znaczący spadek.

Trwałość akumulatora ulega przede wszystkim wpływom wysokich temperatur w lecie, które przyspieszają starzenie się części składowych. Zazwyczaj średni okres eksploatacji akumulatorów określa się na około 4-5 lat; zależy on również od intensywności, z którą używana jest automatyka.

SYA1 ładowarka do akumulatora

Odwołaj się do specyficznego rozdziału zamieszczonego w instrukcji obsługi urządzenia.

3 – Ograniczenia zastosowania systemu

BARDZO WAŻNE

- Kiedy automatyka jest zasilana przez system "Solemyo" **nie może ona być jednocześnie podłączona i zasilana również z sieci elektrycznej**.

- Urządzenia SYP i SYA1, które dostarczają energię do akumulatora PSY24, mogą być stosowane na przemian, ale nie mogą być używane jednocześnie.

• w przypadku zasilania fotoelektrycznego (z zastosowaniem panelu SYP)

Na wykresach A, B i C podana jest energia słoneczna, zarejestrowana w ciągu roku, w zależności od szerokości geograficznej miejsca montażu, w przypadku automatyki zasilanej wyłącznie z zastosowaniem dwóch urządzeń: akumulatora PSY24 i panelu SYP. Krzywa przedstawiona na każdym wykresie została stworzona z uwzględnieniem ilości światła dziennego, zarejestrowanej w ciągu roku na określonej szerokości geograficznej (północ, południe i równik).

Aby uzyskać minimalną możliwą ilość cykli dziennie należy postępować w następujący sposób.

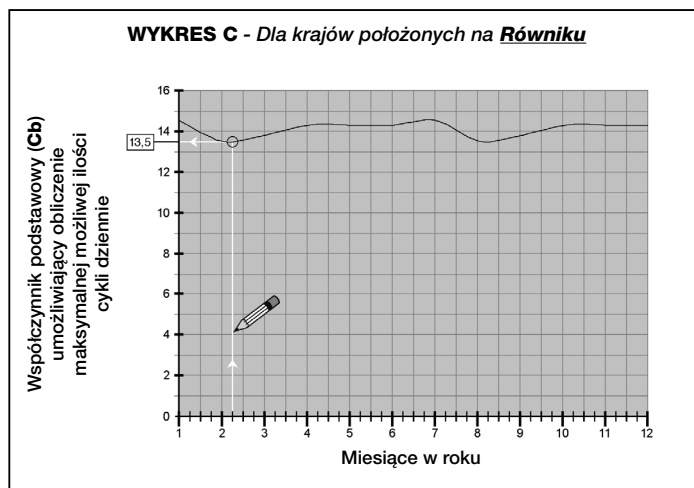
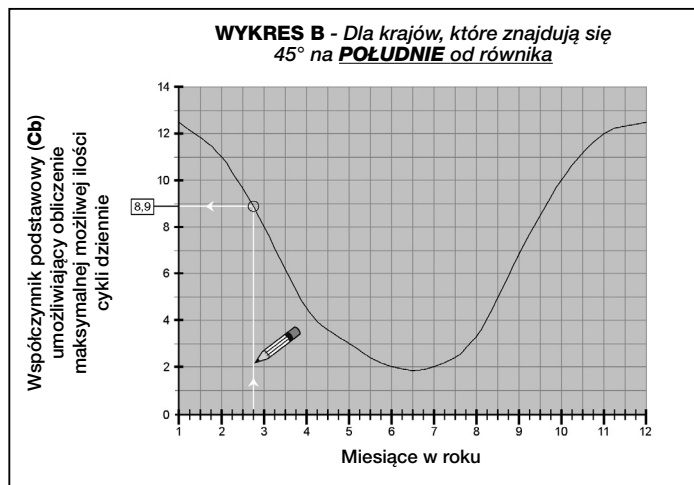
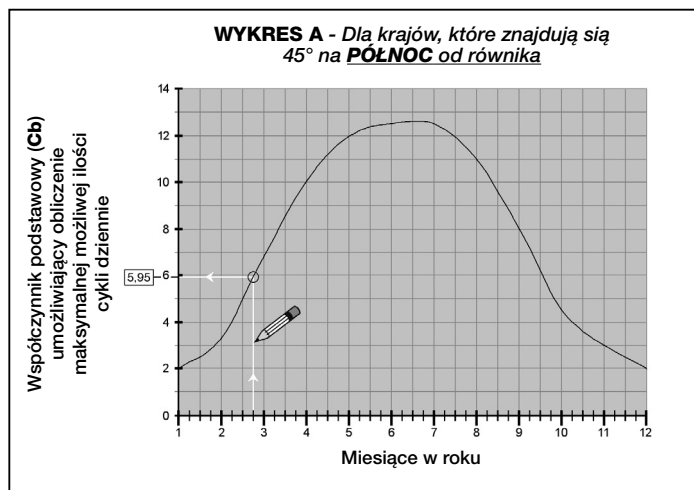
- Wyznaczyć na wykresie A, B lub C (w zależności od szerokości geograficznej, w której znajduje się Wasza instalacja), wybrany dzień roku i wykonując operacje opisane w przedstawionym na wykresie przykładzie, wyznaczyć **wartość "Cb"**, która odpowiada tej dacie, postępując w sposób opisany w przykładzie przedstawionym na tym wykresie.
- Następnie należy wykorzystać **wartość "Cb"**, aby wykonać obliczenia opisane w ulotce załączonej w opakowaniu produktu.

Uwaga – Jeżeli w ciągu dnia panel fotoelektryczny pozostanie w cieniu przez pewną ilość czasu, (w szczególności od godziny 10.00 do 14.00), maksymalna możliwa ilość pełnych manewrów zostanie zredukowana w zależności od ilości godzin, podczas których panel nie był oświetlany przez słońce.

Uwaga – Aby zwiększyć maksymalną możliwą ilość cykli dziennie należy zmniejszyć zużycie energii przez automatykę. W tym celu, w centralach sterujących automatyką ważne jest zaprogramowanie funkcji "Stand-by", poprzez ustawienie najbardziej skutecznego poziomu (odwołaj się do instrukcji obsługi automatyki).

• w przypadku zasilania ze stałej sieci elektrycznej (z zastosowaniem SYA1)

Doładowywanie akumulatora PSY24 ze stałej sieci elektrycznej powinno następować w pomieszczeniu zabezpieczonym, po uprzednim odłączeniu akumulatora PSY24 od panelu słonecznego SYP i automatyki.



INSTALOWANIE SYSTEMU

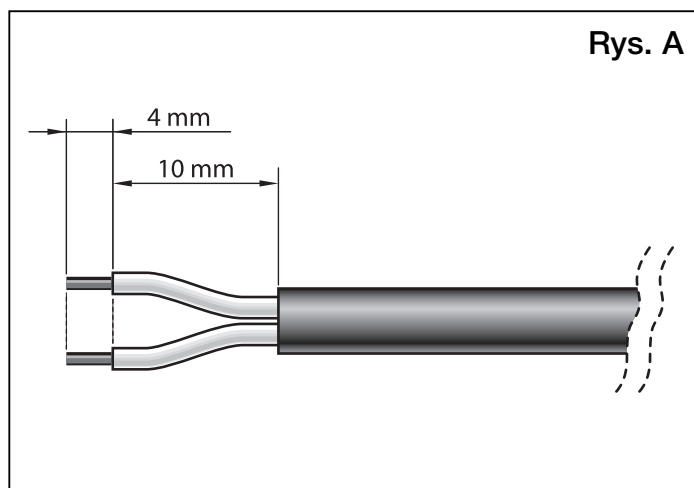
4 - Montaż i podłączenie poszczególnych części

KROK 1 – Optymalne położenie panelu fotoelektrycznego SYP

Najważniejsze jest, aby panel fotoelektryczny był umieszczony w taki sposób, aby mógł być stale oświetlany przez słońce, w ciągu całego dnia i o każdej porze roku. Jest to możliwe po bardzo dokładnym ustawieniu panelu, zarówno poziomo jak i pionowo. Te położenia należy obliczyć w zależności od miejsca, w którym panel został zainstalowany.

Następnie, po wykonaniu kontroli opisanych w rozdziale 2, z uwzględnieniem różnych możliwości instalacji panelu przedstawionych na rys. 6, należy wykonać następujące operacje:

• **Wybierz prawidłowe ustawienie panelu w płaszczyźnie poziomej**, postępując w następujący sposób:



a) Ustalić w miejscu instalacji urządzenia, z pomocą kompasu lub mapy danego miejsca, kierunki PÓŁNOC i POŁUDNIE.

b) Następnie ustawić panel w kierunku PÓŁNOC lub POŁUDNIE, w oparciu o następujące obliczenia:

– jeśli miejsce montażu znajduje się **w kraju na Północ od Równika** (Stany Zjednoczone, Europa, Rosja, itd.) panel musi być nakierowany dokładnie **na POŁUDNIE**;

– jeśli miejsce montażu znajduje się **w kraju na Południe od Równika** (Ameryka Południowa, Australia, Indonezja, itd.) panel musi być nakierowany dokładnie **na PÓŁNOC**.

Szczegółowo przedstawiono to na **rys. 4**.

• **Wybierz prawidłowe nakierowanie panelu w płaszczyźnie pionowej**, postępując w następujący sposób:

Zważywszy, że zalecane jest uzyskanie maksymalnej wydajności panelu w okresie zimowym (a więc wówczas, gdy jest najmniej godzin nasłonecznienia w ciągu dnia), należy wybrać takie na?chylenie panelu, które zapewni odbieranie promieni słonecznych padających prostopadle (frontalnie) do jego powierzchni roboczej.

Nachylenie to odpowiada szerokości geograficznej danego miejsca, którą można odczytać z każdej mapy geograficznej: na przykład szerokość geograficzna Madrytu to 40°; Wenecji - 45°; Londynu - około 50° itd. Szczegółowo przedstawiono to na **rys. 5**.

KROK 2 – Mocowanie panelu fotoelektrycznego SYP w wybranym miejscu

Po dokładnym ustaleniu położenia panelu zamontować wszystkie elementy uchwyty wspornika śledząc instrukcje podane na **rys. 3**.

Następnie przymocować uchwyt panelu w wybranym miejscu, jak pokazano na **rys. 6**.

KROK 3 – Przymocowanie akumulatora PSY24 w wybranym miejscu

Po przeprowadzeniu kontroli opisanych w rozdziale 2 i po dokładnym ustaleniu położenia, w którym zamierza się umieścić akumulator, należy przymocować go do wybranej powierzchni, jak pokazano na **rys. 13**. **Uwaga** – Podczas mocowania należy wykorzystać 2 dolne śruby wyłączenie, jeżeli zamierza się przykręcić akumulator na stałe i nie zamierza się zmieniać jego położenia.

KROK 4 – Prowadzenie przewodów

WAŻNE! – Jeżeli przewód zasilający, znajdujący się w opakowaniu jest stosowany wyłącznie na zewnątrz budynków, należy zabezpieczyć go w całości z pomocą specjalnej rury ochronnej przeznaczonej dla przewodów elektrycznych.

Po zamocowaniu panelu i akumulatora, włożyć przewód panelu do rury kablowej lub korytka kablowego i poprowadzić go aż do akumulatora.

Korzystając z informacji znajdujących się w instrukcji automatyki, zdejmij pokrywę Centrali sterującej. Następnie przeprowadź przez automatykę (tam gdzie przechodzą pozostałe przewody) końcówkę przewodu zasilania z odsłoniętymi żyłami i wyprowadź go z automatyki poprzez odpowiednią przelotkę. Na końcu włożyć przewód do korytka kablowego (o ile przewidziano) i poprowadzić go aż do akumulatora.

Uwaga! – Nie podłączaj przewodu zasilania do Centrali. Nie zamykaj pokrywy Centrali i zostaw poluznioną przelotkę.

KROK 5 – Montaż gniazdka kablowego na przewodzie panelu fotoelektrycznego SYP

Jeśli przewód jest za długi możesz skrócić go, pamiętając, że żyły muszą być odsłonięte a ich długość musi być taka sama jak długość przedstawiona na poniższym **rys. A** (**uwaga!** – różnice w długości uniemożliwiają montaż gniazdka kablowego).

Następnie załóż gniazdko kablowe w **kolorze SZARYM** na koniec przewodu panelu, postępując w następujący sposób:

01. Nasuń na przewód poszczególne elementy składające się na gniazdko kablowe, zachowując przy tym porządek przedstawiony na **rys. 7**;

UWAGA! – Nie wprowadzaj zmian w mostku elektrycznym, znajdującym się na złączce (**rys. 8**).

02. Przy użyciu płaskiego śrubokręta, zamocuj na złączce przewód w kolorze niebieskim do zacisku nr 1 a przewód w kolorze brązowym do zacisku uziemienia (4) (**rys. 9**):

Pamiętaj – Liczby i symbole referencyjne znajdują się z tyłu złączki, poniżej zacisków.

03. Po przymocowaniu obu przewodów, włożyć złączkę do osłony (**rys. 10**). **Ważne** – Złączka znajduje się we właściwej pozycji, kiedy symbol uziemienia jest skierowany ku dołowi (patrz **rys. 10**);

04. Następnie odciągnij przewód od gniazdka kablowego i włóż do gniazdka uszczelkę oraz podkładkę (**rys. 11-a-b**). Na zakończenie przy użyciu klucza zaciśnij przelotkę (**rys. 11-c**), zamykając ją hermetycznie.

05. Po złożeniu gniazdka kablowego, załóż na jego powierzchni czołowej uszczelkę, znajdującą się na wyposażeniu (**rys. 12**).

KROK 6 – Montaż gniazdka kablowego na przewodzie zasilającym

Jeśli przewód jest za długi możesz skrócić go, pamiętając, że żyły muszą być odsłonięte a ich długość musi być taka sama jak długość przedstawiona na poniższym **rys. A** (**uwaga!** – różnice w długości uniemożliwiają montaż gniazdka kablowego).

Następnie załóż gniazdko kablowe w **kolorze CZARNYM** na koniec przewodu zasilającego, w następujący sposób:

01. Nasuń na przewód poszczególne elementy składające się na gniazdko kablowe, zachowując przy tym porządek przedstawiony na **rys. 7**;

UWAGA! – Nie wprowadzaj zmian w mostku elektrycznym, znajdującym się na złączce (**rys. 8**).

02. Przy użyciu płaskiego śrubokręta, zamocuj na złączce przewód w kolorze niebieskim na zacisku nr 1 oraz przewód w kolorze brązowym na zacisku uziemienia (4) (**rys. 9**):

Pamiętaj – Liczby i symbole referencyjne znajdują się z tyłu na złączce, poniżej zacisków.

03. Po przymocowaniu obu przewodów, włożyć złączkę do osłony (**rys. 10**). **Ważne** – Złączka znajduje się we właściwej pozycji, kiedy symbol uziemienia jest skierowany ku dołowi (patrz **rys. 10**);

04. Następnie odciągnij przewód od gniazdka kablowego i włóż do gniazdka uszczelkę oraz podkładkę (**rys. 11-a-b**). Na zakończenie przy użyciu klucza zaciśnij przelotkę (**rys. 11-c**), zamykając ją hermetycznie.

05. Po złożeniu gniazdka kablowego, załóż jego powierzchni czołowej uszczelkę, znajdującą się na wyposażeniu (**rys. 12**).

KROK 7 – Podłączenie panelu fotoelektrycznego SYP do akumulatora PSY24

W celu podłączenia panelu do akumulatora należy wykonać następujące czynności:

01. Połącz gniazdko kablowe w **kolorze SZARYM** z gniazdkiem "IN" na akumulatorze (**rys. 14**);

02. Przymocuj gniazdko śrubą zabezpieczającą, która znajduje się w wyposażeniu, patrz **rys. 15**. **Pamiętaj** – Jeśli przewidujesz częste odłączanie gniazdka od akumulatora użyj śruby przedstawionej na **rys. 16-a**. W przeciwnym razie użyj śruby przedstawionej na **rys. 16-b**.

KROK 8 – Podłączenie akumulatora PSY24 do automatyki

UWAGA!– Ze względów bezpieczeństwa operacje opisane w Kroku 8 muszą być wykonywane wyłącznie przez kompetentnego technika posiadającego odpowiednie kwalifikacje.

Aby podłączyć akumulator do automatu należy postępować w następujący sposób:

01. Włożyć złączkę przewodu zasilającego do gniazdka w centrali sterującej, przeznaczonego dla akumulatora awaryjnego. Aby zlokalizować to gniazdko należy odwołać się do instrukcji obsługi zasilanego automatu.

02. Podłączyć gniazdko typu "L" koloru CZARNEGO do złącza "OUT" w akumulatorze (**rys. 17**);

03. Przykręcić gniazdko wkrętem zabezpieczającym, znajdującym się na wyposażeniu urządzenia, stosownie do **rys. 18**. **Uwaga** – Jeżeli przewiduje się częste rozłączanie wtyczki od akumulatora należy zastosować wkręt pokazany na **rys. 16-a**. W przeciwnym przypadku należy zastosować wkręt pokazany na **rys. 16-b**.

5 – Ogólne uwagi dotyczące obsługi systemu

Zwykle w przypadku, kiedy akumulator PSY24 nie jest odpowiednio doładowany, wyczerpuje swój zapas energii w ciągu kilku dni. Dlatego też po zakończeniu montażu i podłączeniu systemu do automatyki, instalacja może nie funkcjonować od razu (akumulator może być rozładowany w wyniku zwykłego procesu samoczynnego rozładowania, które następuje z biegiem czasu, również wówczas, kiedy był przechowywany w magazynie).

Akumulator PSY24 umożliwia automatyce wykonanie określonej ilości pełnych cykli (odwołaj się do ulotki zamieszczonej w opakowaniu). W związku z tym, jeżeli nie jest stale doładowywany z pomocą panelu SYP lub sporadycznie z pomocą SYA1, może sygnalizować stan *rozładowanego akumulatora* poprzez cykliczne miganie diody oraz *sygnały dźwiękowe* (sygnalizacja może być tymczasowa lub stała).

W szczególności, kiedy jest zasilany przez panel SYP, doładowywanie może ulegać wpływowi zarówno warunków atmosferycznych, jak i intensywnego używania automatyki, (kiedy przekraczana jest maksymalna ilość możliwych pełnych cykli). Kiedy to nastąpi, PSY24 może sygnalizować stan *rozładowanego akumulatora*.

Doładowanie akumulatora PSY24 może nastąpić na dwa sposoby:

A) - Ograniczenie używania automatyki w oczekiwaniu na większe nasłonecznienie, umożliwiające doładowanie akumulatora w naturalny sposób, wykorzystując podłączenie go do panelu fotoelektrycznego SYP. Aby przyspieszyć proces doładowywania odłącz akumulator PSY24 od centrali sterującej automatyką i odczekaj kilka dni, aby panel fotoelektryczny SYP uzyskał wystarczającą ilość energii słonecznej, umożliwiającą doładowanie akumulatora PSY24.

B) - Odłącz akumulator PSY24 od Centrali sterującej automatyką i od panelu słonecznego SYP, (jeżeli występuje). Następnie wykonaj szybkie doładowanie akumulatora PSY24 w pomieszczeniu zabezpieczonym z zastosowaniem zasilacza sieciowego SYA1.

Kiedy akumulator PSY24 jest doładowywany (z panelu fotoelektrycznego SYP lub z zasilacza SYA1), czerwona dioda wysyła 2 krótkie błyski co 5 sekund. Sprawdź, czy ta sygnalizacja występuje również po zamontowaniu, podczas, kiedy panel jest oświetlany przez słońce.

Sygnalizacja *rozładowanego akumulatora* kończy się, kiedy system osiąga dostateczną autonomię elektryczną, umożliwiającą funkcjonowanie automatyki.

Jeżeli automatyka nie jest używana przez długi okres czasu, zaleca się odłączyć od akumulatora złączki automatyki oraz panel fotoelektryczny i przechowywać akumulator w miejscu suchym i chłodnym.

CO ROBIĆ GDY... (pomoc w rozwiązywaniu problemów)

• **Centrala sterująca automatyką nie włącza się a akumulator PSY24 nie wydaje żadnego sygnału.**

Taka sytuacja może być spowodowana błędnym podłączeniem lub źle włożonymi żyłami elektrycznymi; jej przyczyną może być też całkowicie rozładowany akumulator PSY24, który w związku z tym nie jest w stanie sygnalizować stanu *rozładowanego akumulatora*. W tym przypadku należy wykonać szybkie ładowanie, wykorzystując w tym celu zasilacz SYA1 lub odczekać, aż prawidłowo podłączony panel fotoelektryczny SYP rozpocznie ładowanie akumulatora PSY24.

• **Akumulator PSY24 rozładowuje się zbyt szybko.**

Taka sytuacja może być spowodowana zbyt dużym zużyciem akumulatora, który powinien zostać wymieniony. Przyczyną może też być zbyt intensywne użytkowanie automatyki, przekraczające ograniczenia eksploatacyjne opisane w niniejszej instrukcji w Rozdziale 3.

• **Akumulator PSY24 nie ładuje się.**

Taka sytuacja może być spowodowana nieprawidłowym funkcjonowaniem panelu fotoelektrycznego SYP, w wyniku błędnego montażu lub nieprawidłowego podłączenia przewodów lub też przez nieprawidłowe funkcjonowanie akumulatora PSY24.

KONSERWACJA OKRESOWA

Zwykle urządzenia będące częścią systemu nie wymagają szczególnej konserwacji; tym niemniej przeprowadzanie regularnej kontroli umożliwia utrzymanie wydajności instalacji.

W związku z tym, aby prawidłowo wykonać konserwację, należy sprawdzać co 6 miesięcy czy panel fotoelektryczny SYP nie jest zabrudzony (liśćmi, piaskiem, kurzem, itd.): co mogłoby wpłynąć na zmniejszenie jego wydajności. Ponadto należy sprawdzać czy nie nadszedł czas wymiany akumulatora PSY24, który w wyniku starzenia się będzie z czasem zmniejszał swoją wydajność.

UWAGA – Ewentualna wymiana akumulatora PSY24 może zostać przeprowadzona wyłącznie przez doświadczony i wykwalifikowany personel.

UTYLIZACJA

Utylizacja urządzeń systemu

Te urządzenia są integralną częścią automatyki i w związku z tym muszą być utylizowane razem z nią.

Zarówno operacje montażu jak również i demontażu po zakończeniu eksploatacji tych urządzeń, powinny być wykonywane przez personel wykwalifikowany.

Niniejsze urządzenia składają się z różnych rodzajów materiałów: niektóre z nich mogą być ponownie używane, inne nadają się do wyrzucenia. Należy zgromadzić niezbędne informacje dotyczące placówek zajmujących się recykulacją lub utylizacją materiałów, zgodnie z przepisami obowiązującymi dla danej kategorii urządzeń na Waszym terytorium.

Uwaga! - niektóre części urządzeń mogą zawierać substancje zanieczyszczające lub niebezpieczne, które, jeżeli zostaną porzucone bez nadzoru, mogą wywierać szkodliwy wpływ na środowisko i zdrowie ludzkie.

Jak wskazuje symbol zamieszczony obok, zabrania się wyrzucania tych urządzeń razem z odpadami domowymi. Należy więc przeprowadzić "selektywną zbiórkę odpadów", zgodnie z metodami przewidzianymi przez przepisy obowiązujące na Waszym terytorium lub oddać urządzenia do sprzedawcy podczas dokonywania zakupu nowych ekwiwalentnych urządzeń.



Uwaga! – lokalne przepisy obowiązujące mogą przewidywać wysokie kary za nielegalną utylizację tych urządzeń.

Utylizacja akumulatora PSY24

Uwaga! – Akumulator zawiera substancje zanieczyszczające, nie należy go więc wyrzucać razem z odpadami domowymi. Należy poddać go utylizacji lub recykulacji stosując metody przewidziane przez przepisy obowiązujące na Waszym terytorium.

1 – Beschrijving en gebruiksbestemming

SOLEMYO is een autonoom voedingsstelsel voor Nice-automatiseringen voor poorten en garagedeuren (de lijst van de automatiseringen die voor dit type voeding geschikt zijn, staat op het informatieblad in de verpakking en kan ook geraadpleegd worden op de site www.niceforyou.com).

Ieder ander gebruik wordt als oneigenlijk beschouwd! De fabrikant is niet aansprakelijk voor schade veroorzaakt door oneigenlijk gebruik van de verschillende onderdelen van het systeem, anders dan het gebruik dat in deze handleiding beoogd wordt.

Het Solemyo-systeem is bijzonder geschikt voor het van stroom voorzien van automatiseringen die zich ver van het elektriciteitsnet bevinden.

Het systeem bestaat uit 3 basisinrichtingen, die onderling gecombineerd kunnen worden om verschillende configuraties te verkrijgen, en is in staat om zonne-energie of energie van het elektriciteitsnet op te slaan, om deze te gebruiken wanneer de automatisering, waarop het systeem geïnstalleerd is, dit vereist.

De verschillende inrichtingen van het systeem zijn verkrijgbaar in de volgende verpakkingen:

- **PSY24**: dit is het hart van het systeem. De inrichting kan de door SYP gedurende de zonuren geproduceerde energie opslaan en deze op elk moment van de dag ter beschikking stellen, ook op dagen dat het slecht weer is. Dezelfde inrichting kan ook elektrische energie van het elektriciteitsnet opslaan, via SYA1. De verpakking bevat de accumulator PSY24, de kabels, de connectors voor de aansluitingen op de automatisering, de bevestigingsonderdelen en deze handleiding;

- **SYP**: dit is een inrichting die in staat is het zonlicht rechtstreeks om te zetten in elektrische energie. De verpakking bevat een zonnepaneel SYP voor het opladen van PSY24 en de bevestigingsonderdelen;

- **SYKCE**: dit is een complete set voor autonome voeding via zonne-energie. De verpakking bevat de inrichtingen PSY24, SYP, de kabels, de connectors voor de aansluitingen op de automatisering, de bevestigingsonderdelen en deze handleiding;

- **SYA1**: dit is een inrichting die dient voor het periodiek of in noodgevallen opladen van PSY24; dit gebeurt via het normale elektriciteitsnet, en in een overdekte omgeving. De verpakking bevat een batterijoplader SYA1.

2 – Controles voorafgaand aan de installatie

Om vast te stellen of het systeem geschikt is voor de eigenschappen van de automatisering die het van stroom moet voorzien, dient u de controles uit te voeren die in dit hoofdstuk worden beschreven en de conformiteit van de resultaten ervan ook op basis van de technische gegevens uit het hoofdstuk "**Technische kenmerken**".

Bepaal welk punt in de nabijheid van de automatisering die van stroom moet worden voorzien het meest geschikt is voor installatie van het zonnepaneel en welk punt daarentegen het meest geschikt is voor de installatie van de accumulator en houd hierbij rekening met de volgende, bindende factoren:

- de gebruikslimieten die in dit hoofdstuk zijn beschreven;
- de maximumlengte van de voedingskabel (3 m) en van de kabel van het zonnepaneel (3 m);
- de beschikbare ruimte in de nabijheid van de automatisering die van stroom moet worden voorzien.

Voer daarnaast de volgende controles uit:

- controleer of de oppervlakken die gekozen zijn om de twee inrichtingen te monteren uit stevig materiaal bestaan en een stabiele bevestiging kunnen garanderen.
- controleer of elk van de te installeren inrichtingen in een tegen stoten beschermde positie wordt opgesteld.
- controleer voor elke inrichting de volgende punten:

SYP zonnepaneel

– controleer of de plaats die is gekozen voor de installatie het hele jaar rond 100% direct zonlicht (volle zon) garandeert.

– controleer of het punt dat is gekozen voor de installatie van het paneel ver uit de buurt is van begroeiing, muren of andere situaties die schaduwzones, ook gedeeltelijke, kunnen creëren op het gevoelige oppervlak. **Let op! – dit oppervlak moet op ieder punt en op directe wijze door de stralen van de zon worden verlicht; een gedeeltelijke schaduw, ook al is die maar klein (bijvoorbeeld veroorzaakt door een blad of dergelijke), zal leiden tot een aanzienlijke verlaging van de energetische capaciteit van het paneel.**

– controleer of het mogelijk is het paneel in de correcte **richting** en **hoek** te plaatsen, zie de aanwijzingen in hoofdstuk 4.

ALGEMENE AANBEVELINGEN EN VOORZORGSMAATREGELEN VOOR DE VEILIGHEID

Het ontwerp, de fabricage van de inrichtingen waaruit Solemyo-systeem bestaat en de informatie uit deze handleiding zijn volledig in overeenstemming met de geldende veiligheidsvoorschriften. Desondanks kan een onjuiste installatie ernstig letsel toebrengen aan de personen die het werk verrichten en aan de personen die de installatie zullen gebruiken. Om deze reden is het belangrijk dat gedurende de installatie alle aanwijzingen uit deze handleiding nauwgezet worden opgevolgd.

Als u twijfels van welke aard ook koestert, het product niet installeren en u voor eventuele toelichtingen tot de Klantenservice van Nice wenden.

WERK IN VEILIGE CONDITIES!

Let op – Voor de veiligheid van de betrokken personen is het belangrijk deze aanwijzingen op te volgen.

Let op – Belangrijke aanwijzingen voor de veiligheid: bewaar deze aanwijzingen.

Neem de volgende aanbevelingen in acht:

- voer uitsluitend de in deze handleiding voorziene elektrische aansluitingen uit: een onjuiste totstandbrenging van de aansluitingen kan ernstige schade aan het systeem veroorzaken.
- Als de voedingskabel die in de verpakking zit buitenshuis gebruikt zal worden, is het verplicht deze over de volle lengte te beschermen met een specifieke beschermbuis voor elektriciteitskabels.
- kom niet met metalen voorwerpen aan de metalen delen van de aansluitingen die zich op de kast van de accumulator bevinden.

Gezien de gevaarlijke situaties die zich gedurende de installatie en het gebruik van het systeem kunnen voordoen, is het noodzakelijk de inrichtingen die in de verpakking zitten te installeren met inachtneming van de volgende aanbevelingen:

- voer geen andere wijzigingen uit op delen van de inrichtingen dan welke voorzien zijn in deze handleiding. Niet-toegestane handelingen zullen slechts storingen in de werking veroorzaken. De fabrikant aanvaardt geen aansprakelijkheid voor schade die het gevolg is van op willekeurige wijze gewijzigde inrichtingen.
- plaats de inrichtingen niet in de buurt van warmtebronnen en stel ze niet bloot aan open vuur. Een dergelijke handelswijze kan de inrichtingen beschadigen, storingen, brand en gevaarlijke situaties veroorzaken.
- vermijd onderdompeling van de inrichtingen in water of andere vloeibare substanties. Zorg ervoor dat er gedurende de installatie geen vloeistoffen in het binnenste van de inrichtingen kunnen dringen.
- het verpakkingsmateriaal van de inrichtingen moet in overeenstemming met de plaatselijk van kracht zijnde voorschriften als afval worden verwerkt.

Let op! – Bewaar deze handleiding zorgvuldig, deze zal u tot hulp zijn bij eventuele toekomstige onderhoudswerkzaamheden of de vernietiging van de afgedankte inrichtingen.

PSY24 accumulator

Om een optimaal rendement en lange levensduur van de accumulator te verkrijgen, verdient het de voorkeur deze op te stellen op een punt – in de nabijheid van de automatisering die van stroom moet worden voorzien – dat bescherming biedt tegen hoge zomerse en lage winterse temperaturen.

Het **rendement van de lading van de accumulator** hangt namelijk af van de temperatuur van de omgeving waar de accumulator is geïnstalleerd: een optimaal rendement wordt verkregen bij gemiddelde temperaturen, bij lage temperaturen daarentegen loopt het rendement aanzienlijk terug.

Een **lange levensduur van de accumulator** wordt daarentegen vooral beïnvloed door hoge zomerse temperaturen, die de veroudering van de onderdelen versnellen. De gemiddelde levensduur van de batterijen bedraagt normaal gesproken circa 4-5 jaar; dit is ook afhankelijk van hoe intensief de automatisering gebruikt wordt.

SYA1 batterijoplader

Zie het betreffende hoofdstuk in de instructiehandleiding van de inrichting.

3 – Gebruikslimieten van het systeem

HEEL BELANGRIJK

- Wanneer de automatisering van stroom wordt voorzien door het “Solémyo”-systeem, **mag hij niet tegelijkertijd** ook op het elektriciteitsnet zijn aangesloten en hierdoor gevoed worden.
- De inrichtingen SYP en SYA1, die energie aan de inrichting PSY24 leveren, moeten als alternatieven gebruikt worden, en niet tegelijkertijd.

• voor voeding via zonne-energie (met SYP)

De **grafieken A, B en C** geven de beschikbare zonne-energie aan, op basis van de breedtegraad van de plaats van gebruik, op elk moment van het jaar, met uitsluitend via de inrichtingen PSY24 en SYP van stroom voorziene automatisering. De curve van iedere grafiek wordt gegenereerd op grond van de hoeveelheid licht per dag op een bepaalde breedtegraad, door het jaar heen. Om het maximaal aantal mogelijk cycli per dag te verkrijgen, dient u als volgt te werk te gaan.

- 01.** Zoek in de grafiek A, B of C (afhankelijk van de breedtegraad waarop de installatie zich bevindt) de periode van het jaar die u interesseert; zoek vervolgens op de verticale as de **waarde “Cb”** die met deze periode overeenstemt, door het in de grafiek weergegeven voorbeeld te volgen.
- 02.** Gebruik deze **waarde “Cb”** tot slot om de berekeningen uit te voeren die op het bijgevoegde blad staan.

Let op – Als het zonnepaneel gedurende de dag voor een deel van de tijd in de schaduw blijft (met name tussen 10.00 uur en 14.00 uur), neemt het maximaal aantal mogelijke manoeuvreercycli af in functie van het aantal uren dat er geen blootstelling aan de zon was.

Let op – Om het maximaal aantal mogelijke cycli per dag te verhogen, is het van fundamenteel belang het stroomverbruik van de automatisering te verlagen. Om deze reden is het belangrijk om op de besturingseenheden van de automatiseringen de functie “Stand-by” in te programmeren en op het meest doeltreffende niveau in te stellen (zie de handleiding van de automatisering).

• voor voeding via het vaste elektriciteitsnet (met SYA1)

Het opladen van de accumulator PSY24 via het vaste elektriciteitsnet dient te gebeuren in een overdekte omgeving; koppel PSY24 eerst los van het zonnepaneel SYP en van de automatisering.

INSTALLATIE VAN HET SYSTEEM

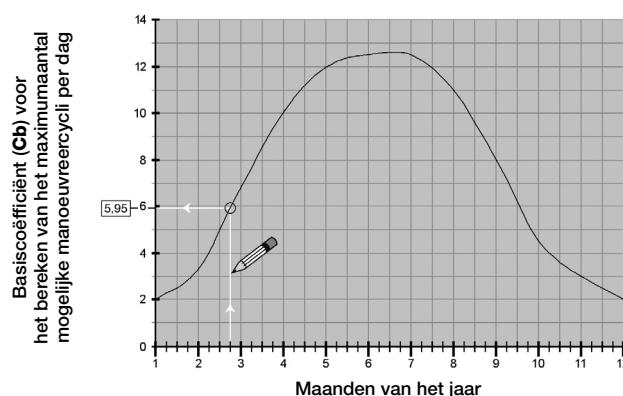
4 – Montage en aansluiting van de verschillende componenten

STAP 1 – Optimale positie van het zonnepaneel SYP

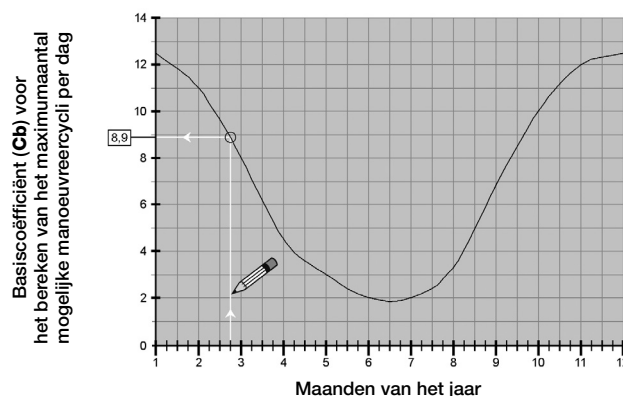
In het algemeen moet het paneel zodanig geplaatst worden dat het constant en op elk moment van de dag, het hele jaar door, door de zon verlicht wordt. Dit bereikt u door een zorgvuldige plaatsing van het paneel zowel in horizontale als verticale richting; de juiste posities berekent u op basis van de plaats van installatie van het paneel.

Na de controles uit hoofdstuk 2 te hebben uitgevoerd en de verschillende installatiemogelijkheden van het paneel in aanmerking te hebben genomen, zie **afb. 6**, verricht u de volgende handelingen:

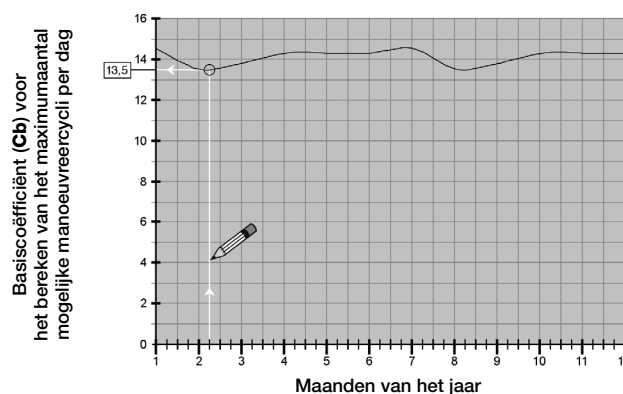
GRAFIEK A - Voor landen op 45° **TEN NOORDEN** van de evenaar



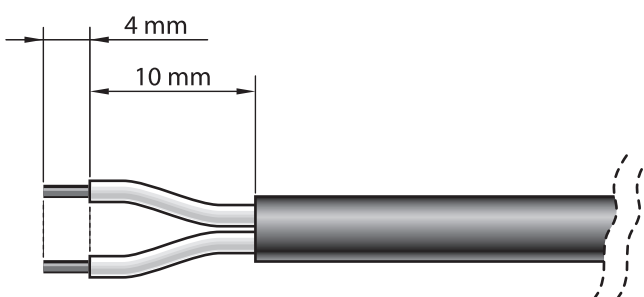
GRAFIEK B - Voor landen op 45° **TEN ZUIDEN** van de evenaar



GRAFIEK C - Voor landen op de **evenaar**



Afb. A



• **Bepaal de juiste richting van het paneel op het horizontale vlak** door als volgt te werk te gaan:

- a) Bepaal op de plaats van installatie met behulp van een kompas of een landkaart waar het **NOORDEN** en het **ZUIDEN** liggen.
- b) Richt het paneel vervolgens naar het NOORDEN of het ZUIDEN, op basis van de volgende overwegingen:

- als de plaats van installatie zich **in een land ten noorden van de evenaar** (Verenigde Staten; Europa; Rusland etc.) bevindt, moet het paneel **exact in ZUIDELIJKE richting** worden gedraaid;
- als de plaats van installatie zich **in een land ten zuiden van de evenaar** (Latijns Amerika; Australië; Indonesië etc.) bevindt, moet het paneel **exact in NOORDELIJKE richting** worden gedraaid.

Zie voor meer duidelijkheid **afb. 4**.

• **Bepaal de juiste richting van het paneel op het verticale vlak** door als volgt te werk te gaan:

Er rekening mee houdend dat het maximale rendement van het paneel bij voorkeur verkregen moet worden in de winterperiode, wanneer er minder zonuren per dag zijn dan in de zomer, dient het paneel in een zodanige hoek te worden gericht dat het de zonnestralen loodrecht (frontaal) op het gevoelige oppervlak ontvangt.

Deze hoek correspondeert met de breedtegraad van de plaats en kan op een willekeurige landkaart worden afgelezen: zo is de breedtegraad van Madrid bijvoorbeeld 40°; die van Venetië 45°; die van Londen circa 50° etc. Zie voor meer duidelijkheid **afb. 5**.

STAP 2 – Bevestiging van het zonnepaneel SYP op het gekozen punt

Na de positie van het paneel exact te hebben bepaald, assembleert u alle componenten van de draagbeugel aan de hand van de aanwijzingen van **afb. 3**.

Tot slot bevestigt u de beugel van het paneel op het gekozen oppervlak, zoals te zien is op **afb. 6**.

STAP 3 – Bevestiging van de accumulator PSY24 op het gekozen punt

Na de controles uit hoofdstuk 2 te hebben uitgevoerd en de plaats van installatie van de accumulator exact te hebben bepaald, de accumulator op het gekozen oppervlak bevestigen, zoals te zien is op **afb. 13**. **Opmerking** – Gebruik voor de bevestiging de 2 schroeven aan de onderkant alleen als u de accumulator vast wilt verankeren (niet verplaatsbaar).

STAP 4 – Doorvoer van de kabels

BELANGRIJK! – Als de voedingskabel die in de verpakking zit buitenshuis gebruikt zal worden, is het verplicht deze **over de volle lengte te beschermen met een specifieke beschermbuis voor elektriciteitskabels**.

Na het paneel en de accumulator te hebben bevestigd, voert u de kabel van het paneel door de buis of het beschermkanaal tot aan de accumulator. Raadpleeg de instructiehandleiding van de automatisering die van stroom voorzien moet worden en verwijder het beschermdeksel van de besturings-eenheid. Voer vervolgens het uiteinde van de voedingskabel met gestripte draden door de automatisering (waar de andere kabels lopen) en laat hem uit de automatisering komen via de hiervoor bestemde kabeldoorvoer. Voer de kabel tot slot door de eventuele beschermgoot tot aan de accumulator.

Let op! – Sluit de voedingskabel niet aan op de besturingseenheid; laat de toegang tot de besturingseenheid open en laat de kabeldoorvoer los.

STAP 5 – Montage van de "pipet" aansluiting op de kabel van het zonnepaneel SYP

Als de kabel te lang is, kunt u hem inkorten, waarbij u de draden zoveel afstript dat de lengte ervan **gelijk** is aan de lengte die is aangegeven op de **afb. A (let op! – afwijkende lengtes leveren problemen op bij de latere montage van de aansluiting)**.

Ga daarna als volgt te werk om de **GRIJZE** "pipet" aansluiting op het uiteinde van de kabel van het paneel te monteren:

- 01.** Schuif de verschillende elementen van de aansluiting op de kabel, **in de volgorde die is aangegeven op afb. 7**;

LET OP! – De elektrische geleidingsbrug op de connector (afb. 8) mag niet gewijzigd worden.

- 02.** Bevestig met behulp van een rechte schroevendraaier de **blauwe draad op klem nr. 1** en de **bruine draad op de klem van de aardverbinding (4)** (afb. 9) op de connector:

Opmerking – De referentienummers en –symbolen zijn op de connec-

tor gedrukt, aan de onderkant ten opzichte van de klemmen en op de tegenoverliggende zijde.

- 03.** Na de twee draden te hebben vastgezet, dient u de connector in zijn bescherming (**afb. 10**) te plaatsen.

Belangrijk – De correcte positie van de connector is met het symbool van de aardverbinding naar beneden toe (zie **afb. 10**);

- 04.** Trek vervolgens de kabel naar de buitenkant van de aansluiting toe en installeer de afdichting en de ring (**afb. 11-a-b**). Schroef tot slot de kabeldoorvoer (**afb. 11-c**) vast met behulp van een sleutel, **zodat er een compleet hermetische sluiting wordt verkregen**.

- 05.** Na de aansluiting gemonteerd te hebben, plaatst u de bijgeleverde afdichting op het aansluitvlak van de aansluiting (**afb. 12**).

STAP 6 – Montage van de "pipet" aansluiting op de voedingskabel

Als de kabel te lang is, kunt u hem inkorten, waarbij u de draden zoveel afstript dat de lengte ervan **gelijk** is aan de lengte die is aangegeven op de **afb. A (let op! – afwijkende lengtes leveren problemen op bij de latere montage van de aansluiting)**.

Ga daarna als volgt te werk om de **ZWARTE** "pipet" aansluiting op het uiteinde van de voedingskabel te monteren:

- 01.** Schuif de verschillende elementen van de aansluiting op de kabel, **in de volgorde die is aangegeven op afb. 7**;

LET OP! – De elektrische geleidingsbrug op de connector (afb. 8) mag niet gewijzigd worden.

- 02.** Bevestig met behulp van een rechte schroevendraaier de **blauwe draad op klem nr. 1** en de **bruine draad op de klem van de aardverbinding (4)** (afb. 9) op de connector:

Opmerking – De referentienummers en –symbolen zijn op de connector gedrukt, aan de onderkant ten opzichte van de klemmen en op de tegenoverliggende zijde.

- 03.** Na de twee draden te hebben vastgezet, dient u de connector in zijn bescherming (**afb. 10**) te plaatsen.

Belangrijk – De correcte positie van de connector is met het symbool van de aardverbinding naar beneden toe (zie **afb. 10**);

- 04.** Trek vervolgens de kabel naar de buitenkant van de aansluiting toe en installeer de afdichting en de ring (**afb. 11-a-b**). Schroef tot slot de kabeldoorvoer (**afb. 11-c**) vast met behulp van een sleutel, **zodat er een compleet hermetische sluiting wordt verkregen**.

- 05.** Na de aansluiting gemonteerd te hebben, plaatst u de bijgeleverde afdichting op het aansluitvlak van de aansluiting (**afb. 12**).

STAP 7 – Aansluiting van het zonnepaneel SYP op de accumulator PSY24

Om het paneel aan te sluiten op de accumulator gaat u als volgt te werk:

- 01.** Sluit de **GRIJZE** "pipet" aansluiting aan op de **"IN"** aansluiting op de accumulator (**afb. 14**);
- 02.** Zet de aansluiting vast met de bijgeleverde veiligheidsschroef, zie **afb. 15**. **Opmerking** – Als u voorziet dat de aansluiting vaak van de accumulator zal worden losgemaakt, gebruikt u de schroef van **afb. 16-a**. In het andere geval gebruikt u de schroef van **afb. 16-b**.

STAP 8 – Aansluiting van de accumulator PSY24 op de automatisering

LET OP! – Om veiligheidsredenen mogen de handelingen die worden beschreven in deze Stap 8 uitsluitend door een gekwalificeerd en vakbekwame technicus worden verricht.

Om de accumulator aan te sluiten op de automatisering gaat u als volgt te werk:

- 01.** Open de besturingseenheid van de automatisering en steek de connector van de voedingskabel in de aansluiting die bestemd is voor de bufferbatterij, op de eenheid. *Om deze aansluiting te vinden, raadpleegt u de instructiehandleiding van de automatisering die van stroom voorzien moet worden.*
- 02.** Sluit de **ZWARTE** "pipet" aansluiting aan op de **"OUT"** aansluiting op de accumulator (**afb. 17**);
- 03.** Zet de aansluiting vast met de bijgeleverde veiligheidsschroef, zie **afb. 18**. **Opmerking** – Als u voorziet dat de aansluiting vaak van de accumulator zal worden losgemaakt, gebruikt u de schroef van **afb. 16-a**. In het andere geval gebruikt u de schroef van **afb. 16-b**.

5 – Algemene opmerkingen over het gebruik van het systeem

Over het algemeen zal de energiereserve van de accumulator PSY24, wanneer deze niet goed wordt opgeladen, binnen enkele dagen opraken. Om deze reden is het mogelijk dat het systeem, nadat men dit na afloop van de installatie op de automatisering heeft aangesloten, niet meteen operatief is (de accumulator kan leeg zijn als gevolg van het normale ontladingsproces dat met de tijd plaatsvindt, ook wanneer het product zich in het magazijn bevindt).

De accumulator PSY24 laat een bepaald aantal manoeuvreercycli van de automatisering toe (zie het informatieblad in de verpakking). Als de accumulator daarom niet constant wordt bijgeladen met SYP of af en toe met SYA1, kan de status *lege batterij* gesignaleerd worden aan de hand van knipperreeksen van de led's en *pieptonen* (de signalering kan tijdelijk of permanent zijn).

Bij het opladen met SYP kan het oplaadproces zowel beïnvloed worden door de weersomstandigheden als door een intensief gebruik van de automatisering (overschrijding van het maximumaantal mogelijke manoeuvreercycli). Wanneer dit gebeurt, kan de PSY24 de status *lege batterij* signaleren.

De PSY24 kan op één van de volgende manieren worden bijgeladen:

- A) - Beperk het gebruik van de automatisering in afwachting van een verbetering van de zoncondities, zodat de accumulator zich op natuurlijke wijze kan bijladen via de aansluiting op het zonnepaneel SYP. Om het oplaadproces te versnellen, koppelt u de PSY24 los van de besturingseenheid van de automatisering en wacht u een paar dagen totdat het zonnepaneel SYP voldoende zonne-energie heeft ontvangen om de accumulator PSY24 weer op te laden.
- B) - Koppel de accumulator PSY24 los van de besturingseenheid en het zonnepaneel SYP (indien aanwezig). Laad de PSY24 in een overdekte omgeving op via het elektriciteitsnet, met de batterijoplader SYA1.

Wanneer de accumulator PSY24 aan het opladen is (via zonnepaneel SYP of batterijoplader SYA1), zal de rode led iedere 5 seconden 2 maal kort knipperen. Controleer of deze signalering ook na de installatie, wanneer het paneel verlicht wordt door de zon, aanwezig is.

De signalering voor *lege batterij* stopt wanneer het systeem een elektrische autonomie bereikt die volstaat om de automatisering te kunnen laten functioneren.

Als de automatisering voor lange tijd niet gebruikt zal worden, wordt aanbevelen de connectors van de automatisering en van het zonnepaneel los te maken van de accumulator en de accumulator op een koele en droge plaats te bewaren.

PERIODIEK ONDERHOUD

Over het algemeen behoeven de inrichtingen van het systeem geen speciaal onderhoud; door de installatie in de loop van de tijd regelmatig te controleren, kunt u deze echter altijd in goede staat van werking houden.

Voor een juist onderhoud dient u eens in de 6 maanden te controleren of er zich geen vuil op het zonnepaneel heeft opgehoopt (bijvoorbeeld bladeren, zand etc.): het rendement van een vuil paneel kan namelijk verminderen.

Daarnaast is het noodzakelijk te controleren of de accumulator vervangen moet worden. Door veroudering kan de autonomie van de accumulator in de loop der tijd namelijk afnemen.

LET OP – De eventuele vervanging van de accumulator PSY24 mag uitsluitend worden uitgevoerd door gekwalificeerd en ervaren personeel.

AFDANKEN

Afdanken van de inrichtingen van het systeem

Deze inrichtingen maken integraal deel uit van de automatisering en moeten daarom samen met de automatisering worden afgedankt.

De ontmantelingwerkzaamheden aan het eind van de levensduur van deze inrichtingen moeten, net als de installatiewerkzaamheden, worden uitgevoerd door gekwalificeerd personeel.

Deze inrichtingen bestaan uit verschillende soorten materiaal: sommigen hiervan kunnen gerecycled worden, anderen moeten als afval worden verwerkt. Win informatie in over de recycling- of afvalverwerkingsystemen die voor deze categorie van inrichtingen zijn voorzien door de in uw land geldende voorschriften.

Let op! – sommige delen van de inrichtingen kunnen vervuilende of gevaarlijke substanties bevatten die, indien ze in het milieu terechtkomen, schadelijke effecten kunnen hebben op de omgeving of op de gezondheid van personen.

Zoals aangegeven door het symbool hiernaast, is het verboden deze inrichtingen met het gewone huisvuil weg te gooien. Volg een "gescheiden afvalverwerking" volgens de methodes die voorzien zijn door de in uw land geldende voorschriften, of lever de inrichtingen weer in bij de verkoper op het moment dat u nieuwe gelijksoortige inrichtingen aanschaft.



Let op! – De plaatselijk geldende voorschriften kunnen zware sancties voorzien in het geval u de voorschriften voor afvalverwerking van deze inrichtingen niet opvolgt.

Afdanken van de accumulator PSY24

Let op! – De accumulator bevat vervuilende substanties en mag na verwijdering dan ook niet met het gewone huisvuil worden weggegooid. De accumulator dient als afval te worden verwerkt of gerecycled volgens de methoden die voorzien zijn door de voorschriften die van kracht zijn in uw land.

WAT TE DOEN ALS... (handleiding voor het oplossen van problemen)

- **De besturingseenheid van de automatisering niet inschakelt en de accumulator PSY24 geen enkele signalering geeft.**

Dit kan afhangen van niet-correcte aansluitingen of van niet perfect ingestoken elektriciteitsdraden; het is ook mogelijk dat de accumulator PSY24 helemaal leeg is en niet voldoende energie heeft om de status *lege batterij* te signaleren.

In dit geval is het nodig een snelle oplaadcyclus uit te voeren met behulp van de batterijoplader SYA1, of te wachten tot het zonnepaneel SYP, correct aangesloten, de accumulator PSY24 begint op te laden.

- **De accumulator PSY24 de neiging heeft te snel te ontladen.**

Dit kan afhangen van overmatige veroudering van de accumulator, die in dit geval het beste vervangen kan worden; daarnaast kan dit probleem veroorzaakt worden door een te intensief gebruik van de automatisering, waarbij de in Hoofdstuk 3 van deze handleiding aangegeven voorziene gebruikslimieten worden overschreden.

- **De accumulator PSY24 niet meer oplaadt.**

Dit kan afhangen van een storing van het zonnepaneel SYP, als gevolg van een onjuiste installatie ervan, van een verkeerde aansluiting van de kabels of van een storing van de accumulator PSY24.

EN - Technical documentation

Images

IT - Documentazione Tecnica

Immagini

FR - Documentation Technique

Images

ES - Documentación Técnica

Imágenes

DE - echnische Dokumentation

Bilder

PL - Dokumentacja Techniczna

Zdjęcia

NL - Technische documentatie

Afbeeldingen

TECHNICAL SPECIFICATIONS

WARNINGS: • All technical specifications stated herein refer to an ambient temperature of 20°C (± 5°C) • Nice S.p.a. reserves the right to apply modifications to the product at any time as deemed necessary, while maintaining the same functionalities and intended use • SYKCE guarantees the minimum number of manoeuvres per day, exclusively with the photovoltaic panel positioned correctly and in the conditions as specified in Chapter 3.

PSY24 BATTERY

DESCRIPTION	DATA
Rated voltage:	24 V
Maximum current:	10 W
Rated battery capacity:	20 Ah
Protection rating:	IP 44
Operation temperature:	- 20° C ÷ + 50 °C (0 °C, - +40 °C when charging using the back-up power supply unit connected to the mains)
Complete recharging time:	approx. 15 hours (when charging using the back-up power supply unit connected to the mains)
Dimensions:	258 mm x 235 mm x 180 mm
Weight:	14 kg

Note – The batteries in the PSY24 unit are VRLA (Valve Regulated Lead Acid Batteries). They comply with the specific provision A67 of the IATA/ICAAO regulation governing hazardous goods. PSY24 is therefore not considered hazardous goods and may be transported without any risk by air, sea and on road.

SYP PHOTOVOLTAIC PANEL

DESCRIPTION	DATA
Rated voltage:	24 V
Peak power:	15 Wp
Operation temperature:	-40 °C ÷ +85 °C
Dimensions:	390 mm x 415 mm x 28 mm
Weight:	1,9 kg

Warning – The glass of the photovoltaic panel has been tested to resist to hailstones and medium entity impact. In the event of particularly consistent hail or impact, the glass may be damaged; in this case contact the Nice Technical Assistance service.

EC declaration of conformity

Declaration in accordance with the Directives: 2006/95/EC (LVD) and 2004/108/EC (EMC)

Note: The contents of this declaration correspond to declarations in the official document deposited at the registered offices of Nice S.p.a. and in particular to the last revision available before printing this manual. The text herein has been re-edited for editorial purposes. A copy of the original declaration can be requested from Nice S.p.a. (TV) I.

Declaration number: 285/PSY(...)

Revision: 1

Language: EN

Manufacturer's name: NICE S.p.A.

Address: Via Pezza Alta N°13, 31046 Rustignè di Oderzo (TV) Italy

Type of product: Nice solar kit

Model / Type: SYKCE kit comprises the SYP photovoltaic panel and the PSY24 battery

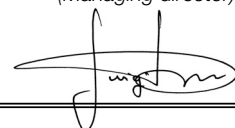
Accessories: SYA1

The undersigned, Luigi Paro, in the role of Managing Director, declares under his sole responsibility, that the product specified above conforms to the provisions of the following directives:

- Directive 2006/95/EC OF THE EUROPEAN PARLIAMENT AND COUNCIL of 12 December 2006 regarding the approximation of member state legislation related to electrical material destined for use within specific voltage limits, according to the following harmonised standards:
EN 60335-1:2002 + A1:2004 + A11:2004 + A12:2006 + A2:2006 + A13:2008
- DIRECTIVE 2004/108/EC OF THE EUROPEAN PARLIAMENT AND COUNCIL of 15 December 2004 regarding the approximation of member state legislation related to electromagnetic compatibility, repealing directive 89/336/EEC, according to the following standards:
EN 61000-6-2:2005, EN 61000-6-3:2007

Oderzo, 17 March 2010

Ing. Luigi Paro
(Managing director)



CARATTERISTICHE TECNICHE

AVVERTENZE: • Tutte le caratteristiche tecniche riportate, sono riferite ad una temperatura ambientale di 20°C (± 5°C) • Nice S.p.a. si riserva il diritto di apportare modifiche al prodotto in qualsiasi momento lo riterrà necessario, mantenendone comunque la stessa funzionalità e destinazione d'uso • SYKCE garantisce il numero massimo possibile di manovre al giorno, esclusivamente con il pannello fotovoltaico correttamente orientato e nelle condizioni indicate nel Capitolo 3.

ACCUMULATORE PSY24

DESCRIZIONE	DATI
Tensione nominale:	24 V
Corrente massima:	10 A
Capacità nominale della batteria:	20 Ah
Grado di protezione:	IP 44
Temperatura d'impiego:	-20 °C ÷ +50 °C (0 °C ÷ +40 °C quando è in carica con l'utilizzo dell'alimentatore da rete fissa)
Tempo di ricarica completa:	15 ore circa (con l'utilizzo dell'alimentatore da rete fissa)
Dimensioni:	258 mm x 235 mm x 180 mm
Peso:	14 kg

Nota – Le batterie presenti nell'accumulatore PSY24 sono del tipo VRLA (Valve Regulated Lead Acid Batteries), cioè ermetiche e regolate da una valvola. Sono conformi alla specifica disposizione A67 del Regolamento IATA/ICAO per le merci pericolose. PSY24 non è quindi da considerarsi merce pericolosa; pertanto può essere trasportato senza alcun rischio via aerea, via mare e su strada.

PANNELLO FOTOVOLTAICO SYP

DESCRIZIONE	DATI
Tensione nominale:	24 V
Potenza di picco:	15 Wp
Temperatura d'impiego:	-40 °C ÷ +85 °C
Dimensioni:	390 mm x 415 mm x 28 mm
Peso:	1,9 kg

Avvertenza – Il vetro del pannello fotovoltaico è testato per resistere alla grandine e agli urti di media entità. In caso di grandine o urti particolarmente consistenti, il vetro potrebbe danneggiarsi; in questi casi rivolgersi al Servizio Assistenza Tecnica Nice.

Dichiarazione CE di conformità

Dichiarazione in accordo alle Direttive: 2006/95/CE (LVD) e 2004/108/CE (EMC)

Nota: Il contenuto di questa dichiarazione corrisponde a quanto dichiarato nel documento ufficiale depositato presso la sede di Nice S.p.a. e, in particolare, alla sua ultima revisione disponibile prima della stampa di questo manuale. Il testo qui presente è stato riadattato per motivi editoriali. Copia della dichiarazione originale può essere richiesta a Nice S.p.a. (TV) I.

Numero dichiarazione: 285/PSY(...)

Revisione: 1

Lingua: IT

Nome produttore: NICE S.p.A.

Indirizzo: Via Pezza Alta N°13, 31046 Rustignè di Oderzo (TV) Italy

Tipo di prodotto: Kit solare Nice

Modello / Tipo: Kit SYKCE composto dal pannello fotovoltaico SYP e dall'accumulatore PSY24

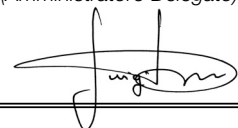
Accessori: SYA1

Il sottoscritto Luigi Paro in qualità di Amministratore Delegato, dichiara sotto la propria responsabilità che il prodotto sopra indicato risulta conforme alle disposizioni imposte dalle seguenti direttive:

- Direttiva 2006/95/CE DEL PARLAMENTO EUROPEO E DEL CONSIGLIO del 12 dicembre 2006 concernente il ravvicinamento delle legislazioni degli Stati membri relative al materiale elettrico destinato ad essere adoperato entro taluni limiti di tensione, secondo le seguenti norme armonizzate: EN 60335-1:2002 + A1:2004 + A11:2004 + A12:2006 + A2:2006 + A13:2008
- DIRETTIVA 2004/108/CE DEL PARLAMENTO EUROPEO E DEL CONSIGLIO del 15 dicembre 2004 concernente il ravvicinamento delle legislazioni degli Stati membri relative alla compatibilità elettromagnetica e che abroga la direttiva 89/336/CEE, secondo le seguenti norme armonizzate: EN 61000-6-2:2005, EN 61000-6-3:2007

Oderzo, 17 marzo 2010

Ing. Luigi Paro
(Amministratore Delegato)



CARACTÉRISTIQUES TECHNIQUES

AVERTISSEMENTS : • Toutes les caractéristiques techniques indiquées se réfèrent à une température ambiante de 20 °C (± 5 °C) • Nice S.p.a. se réserve le droit d'apporter des modifications au produit à tout moment si elle le jugera nécessaire, en garantissant dans tous les cas les mêmes fonctions et le même type d'utilisation prévu • SYKCE garantit le nombre maximum possible de manoeuvres par jour, exclusivement avec le panneau photovoltaïque correctement orienté et dans les conditions indiquées dans le Chapitre 3.

ACCUMULATEUR PSY24

DESCRIPTION	DONNÉES
Tension nominale :	24 V
Courant maximum :	10 W
Capacité nominale de la batterie :	20 Ah
Indice de protection :	IP 44
Température d'emploi :	-20 °C ÷ +50 °C (0 °C ÷ +40 °C quand elle est en charge avec l'utilisation du bloc d'alimentation de secteur)
Temps de recharge complète :	15 heures environ (avec l'utilisation du bloc d'alimentation de secteur)
Dimensions :	258 mm x 235 mm x 180 mm
Poids :	14 kg

Note – Les batteries présentes dans l'accumulateur PSY24 sont du type VRLA (Valve Regulated Lead Acid Batteries), c'est-à-dire étanches et réglées par une soupape. Elles sont conformes à la disposition A67 spécifique du Règlement IATA/ICAO pour les marchandises dangereuses. PSY24 ne doit donc pas être considéré comme une marchandise dangereuse ; Il peut donc être transporté sans aucun risque par voie aérienne, maritime et sur route.

PANNEAU SOLAIRE PHOTOVOLTAÏQUE SYP

DESCRIPTION	DONNÉES
Tension nominale :	24 V
Puissance de crête :	15 Wp
Température d'utilisation :	-40 °C ÷ +85 °C
Dimensions :	390 mm x 415 mm x 28 mm
Poids :	1,9 kg

Avvertissement – Le verre du panneau photovoltaïque est testé pour résister à la grêle et à des impacts de moyenne entité. En cas de grêle ou d'impacts particulièrement violents, le verre pourrait s'endommager ; dans ce cas s'adresser au SAV Nice.

Déclaration CE de conformité

Déclaration conformément aux Directives : 2006/95/CE (LVD) et 2004/108/CE (EMC)

Note : Le contenu de cette déclaration de conformité correspond à ce qui est déclaré dans le document officiel, déposé au siège de Nice S.p.a., et en particulier à sa dernière révision disponible avant l'impression de ce guide. Ce texte a été réadapté pour des motifs éditoriaux. Une copie de la déclaration originale peut être demandée à Nice S.p.a. (TV) I.

Numéro déclaration : 285/PSY(...)

Révision : 1

Langue : FR

Nom producteur : Nice S.p.a.

Adresse : Via Pezza Alta N°13, 31046 Rustignè di Oderzo (TV) Italie

Type de produit : Kit solaire Nice

Modèle / Type : Kit SYKCE composé du panneau photovoltaïque SYP et de l'accumulateur PSY24

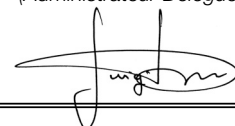
Accessoires : SYA1

Je soussigné Luigi Paro en qualité d'Administrateur Délégué, déclare sous mon entière responsabilité que le produit susmentionné est conforme aux dispositions imposées par les directives suivantes :

- DIRECTIVE 2006/95/CEE DU PARLEMENT EUROPÉEN ET DU CONSEIL du 12 décembre 2006 concernant le rapprochement des législations des États membres relatives au matériel électrique destiné à être employé dans certaines limites de tension, selon les normes harmonisées suivantes : EN 60335-1:2002 + A1:2004 + A11:2004 + A12:2006 + A2:2006 + A13:2008
- DIRECTIVE 2004/108/CE DU PARLEMENT EUROPÉEN ET DU CONSEIL du 15 décembre 2004 concernant le rapprochement des législations des États membres relatives à la compatibilité électromagnétique et qui abroge la directive 89/336/ CEE, selon les normes harmonisées suivantes : EN 61000-6-2:2005, EN 61000-6-3:2007

Oderzo, le 17 mars 2010

Ing. Luigi Paro
(Administrateur Délégué)



CARACTERÍSTICAS TÉCNICAS

ADVERTENCIAS: • Todas las características técnicas indicadas se refieren a una temperatura ambiente de 20°C (± 5°C) • Nice S.p.a. se reserva el derecho de modificar el producto en cualquier momento en que lo considere necesario, conservando las mismas funciones y el mismo uso previsto • SYKCE garantiza el número máximo posible de maniobras por día, sólo con el panel fotovoltaico orientado correctamente y en las condiciones indicadas en el Capítulo 3.

ACUMULADOR PSY24

DESCRIPCIÓN	DATOS
Tensión nominal	24 V
Potencia máxima:	10 W
Capacidad nominal de la batería:	20 Ah
Clase de protección:	IP 44
Temperatura de funcionamiento:	-20 °C ÷ +50 °C (0 °C ÷ +40 °C cuando se está cargando con el alimentador de red fija)
Tiempo de recarga completa:	15 horas aprox. (utilizando el alimentador de red fija)
Dimensiones:	258 mm x 235 mm x 180 mm
Peso:	14 kg

Nota - Las baterías del PSY24 son del tipo VRLA (Valve Regulated Lead Acid Batteries), es decir herméticas y reguladas por una válvula. Responden a la disposición específica A67 del Reglamento IATA/ICAAO para las mercancías peligrosas. El PSY24 no debe considerarse como mercancía peligrosa; por lo que puede ser transportada sin riesgos por vía aérea, por vía marítima o por carretera.

PANEL FOTOVOLTAICO SYP

DESCRIPCIÓN	DATOS
Tensión nominal	24 V
Potencia pico:	15 Wp
Temperatura de funcionamiento:	-40 °C ÷ +85 °C
Dimensiones:	390 mm x 415 mm x 28 mm
Peso:	1,9 kg

Advertencia – El vidrio del panel fotovoltaico ha sido fabricado para resistir el granizo y los golpes de intensidad mediana. En el caso de granizo o de golpes muy fuertes, el vidrio podría romperse; en este caso, contacte con el Servicio de Asistencia Técnica Nice.

Declaración de conformidad CE

Declaración de conformidad con las Directivas: 2006/95/CE (LVD) y 2004/108/CE (CEM)

Nota: el contenido de esta declaración corresponde a aquello declarado en el documento oficial depositado en la sede de Nice S.p.a., y en particular, a su última revisión disponible antes de la impresión de este manual. El presente texto ha sido readaptado por motivos de impresión. La copia de la declaración original puede solicitarse a Nice S.p.a. (TV) I.

Número de declaración: 285/PSY(...)

Revisión: 1

Idioma: ES

Nombre del fabricante: Nice S.p.a.

Dirección: via Pezza Alta, 13 31046 Rustignè di Oderzo (TV) Italia

Tipo de producto: Kit solar Nice

Modelo / Tipo: Kit SYKCE compuesto de panel fotovoltaico SYP y del acumulador PSY24


Accesorios: SYA1

El suscrito, Luigi Paro, en su carácter de Administrador Delegado, declara bajo su responsabilidad que el producto antedicho cumple con las disposiciones establecidas por las siguientes directivas:

- Directiva 2006/95/CE DEL PARLAMENTO EUROPEO Y DEL CONSEJO del 12 de diciembre de 2006 sobre de la aproximación de las legislaciones de los Estados miembros relativas al material eléctrico destinado a ser utilizado dentro de determinados límites de tensión, según las siguientes normas armonizadas: EN 60335-1:2002 + A1:2004 + A11:2004 + A12:2006 + A2:2006 + A13:2008
- DIRECTIVA 2004/108/CE DEL PARLAMENTO EUROPEO Y DEL CONSEJO del 15 de diciembre de 2004 sobre la aproximación de las legislaciones de los Estados miembros relativas a la compatibilidad electromagnética y que abroga la Directiva 89/336/CEE, según las siguientes normas: EN 61000-6-2:2005, EN 61000-6-3:2007

Oderzo, 17 de marzo 2010

Ing. Luigi Paro
(Administrador delegado)



TECHNISCHE EIGENSCHAFTEN

HINWEISE • Alle angegebenen technischen Merkmale beziehen sich auf eine Temperatur von 20°C (± 5°C). • Nice behält sich das Recht vor, jederzeit als nötig betrachtete Änderungen am Produkt vorzunehmen, wobei die Funktionalitäten und der Einsatzzweck beibehalten werden. • SYKCE garantiert die mögliche Höchstzahl der Bewegungen pro Tag nur, wenn der Photovoltaikkollektor korrekt ausgerichtet ist und die Bedingungen laut Kapitel 3 einhält.

AKKUMULATOR PSY24

BESCHREIBUNG	DATEN
Netzspannung:	24 V
Höchststrom:	10 W
Nennkapazität der Batterie:	20 Ah
Schutzart:	IP 44
Betriebstemperatur:	-20 °C ÷ +50 °C (0 °C ÷ +40 °C (0 °C ÷ +40 °C, wenn er mit dem Festnetzspeisegerät aufgeladen wird)
TVollständige Ladezeit:	Zirka 15 Stunden (bei Anwendung des Festnetzspeisegeräts)
Abmessung:	258 mm x 235 mm x 180 mm
Gewicht:	14 kg

Hinweis – Die Batterien in dem Akkumulator PSY24 sind VRLA-Batterien (Valve Regulated Lead Acid), d.h. hermetisch und durch ein Ventil geregelt. Sie entsprechen der Anweisung A67 der Regelung IATA/ICAO für gefährliche Waren. PSY24 ist somit nicht als gefährliche Ware zu betrachten und kann ohne Risiko per Flugzeug, Schiff oder auf Straßen transportiert werden.

KOLLEKTOREN FÜR PHOTOVOLTAIK SYP

BESCHREIBUNG	DATEN
Netzspannung:	24 V
Spitzenleistung:	15 Wp
Betriebstemperatur:	-40 °C ÷ +85 °C
Abmessung:	390 mm x 415 mm x 28 mm
Gewicht:	1,9 kg

Hinweis – Das Glas des Kollektors für Photovoltaik wurde auf die Festigkeit gegen Hagel- und mittelstarke Stöße getestet. Bei besonders starkem Hagel oder Stößen könnte das Glas beschädigt werden, in diesem Fall wendet man sich an den Technischen Kundendienst Nice.

CE-Konformitätserklärung

Erklärung in Übereinstimmung mit den folgenden Richtlinien: 2006/95/CE (LVD) e 2004/108/CE (EMC)

Anmerkung: Der Inhalt dieser Konformitätserklärung entspricht dem in den offiziellen Unterlagen angegebenen, die sich im Firmensitz der Nice S.p.a. befinden, und insbesondere der vor dem Druck dieser Anleitung verfügbaren, letzten Revision. Der hier vorhandene Text wurde aus Verlagsgründen angepasst. Eine Kopie der ursprünglichen Erklärung jedes Produkts kann bei Nice S.p.a. angefordert werden. (TV) I.

Erklärungsnummer: 285/PSY(...)

Revision: 1

Sprache: DE

Herstellernamen: NICE s.p.a.

Adresse: Via Pezza Alta N°13, 31046 Rustignè di Oderzo (TV) Italien

Produkttyp: Solar-Set Nice

Modell / Typ: Set (Bausatz) SYKCE, bestehend aus dem Photovoltaik-Kollektor SYP und dem Akkumulator PSY24

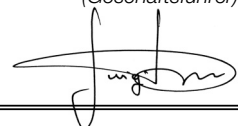
Zubehör: SYA1

Der Unterzeichnende Luigi Paro erklärt als Geschäftsführer unter seiner Haftung, dass das oben genannte Produkt den Vorschriften der folgenden Richtlinien entspricht:

- 2006/95/EWG RICHTLINIE DES EUROPÄISCHEN PARLAMENTS UND DES RATS vom 12. Dezember 2006 bezüglich der Annäherung der Gesetze der Mitgliedsstaaten hinsichtlich elektrischer Materialien, das innerhalb bestimmter Spannungslimits verwendet wird und zwar gemäß den folgenden übereinstimmenden Normen: EN 60335-1:2002 + A1:2004 + A11:2004 + A12:2006 + A2:2006 + A13:2008
- 2004/108/EWG RICHTLINIE DES EUROPÄISCHEN PARLAMENTS UND RATS vom 15. Dezember 2004 bezüglich der Annäherung der Gesetzgebungen der Mitgliedsstaaten, was die elektromagnetische Verträglichkeit betrifft und die Richtlinie 89/336/EWG aufhebt und zwar gemäß den folgenden übereinstimmenden Normen: EN 61000-6-2:2005, EN 61000-6-3:2007

Oderzo, den 17. März 2010

Ing. Luigi Paro
(Geschäftsführer)



PARAMETRY TECHNICZNE

UWAGI: • Wszystkie dane techniczne dotyczą temperatury otoczenia 20°C (± 5°C) • Nice S.p.a. zastrzega sobie prawo dokonywania zmian w produkcji w każdej chwili, gdy uzna to za stosowne, zachowując jego funkcjonalność i przeznaczenie użytkowania. • SYKCE gwarantuje maksymalną możliwą ilość manewrów dziennie wyłącznie w przypadku zastosowania ustawionego prawidłowo panelu fotoelektrycznego, w warunkach opisanych w Rozdziale 3.

AKUMULATOR PSY24

OPIS	DANE
Napięcie znamionowe:	24 V
Prąd maksymalny:	10 W
Znamionowa pojemność akumulatora:	20 Ah
Stopień ochrony:	IP 44
Temperatura pracy:	-20 °C ÷ +50 °C (0 °C ÷ +40 °C w przypadku doładowywania z zastosowaniem zasilacza sieciowego)
Czas pełnego ładowania:	15 ore circa (z zastosowaniem zasilacza sieciowego)
Wymiary:	258 mm x 235 mm x 180 mm
Masa:	14 kg

Uwaga – Baterie występujące w akumulatorze PSY24 są typu VRLA (Valve Regulated Lead Acid Batteries), czyli hermetyczne i są zabezpieczone zaworem. Są zgodne ze specyficznym rozporządzeniem A67 normy IATA/ICAO dotyczącej towarów niebezpiecznych. Akumulator PSY24 nie może więc być uwzględniany jako urządzenie niebezpieczne i może być przewożony bez żadnego zagrożenia drogą lądową, morską lub powietrzną.

PANEL FOTOELEKTRYCZNY SYP

OPIS	DANE
Napięcie znamionowe:	24 V
Moc szczytowa:	15 Wp
Temperatura pracy:	-40 °C ÷ +85 °C
Wymiary:	390 mm x 415 mm x 28 mm
Masa:	1,9 kg

Ostrzeżenie – Szkło, znajdujące się na panelu fotoelektrycznym wytrzymuje grad oraz uderzenia wywołane obiektami średniej wielkości. W przypadku szczególnie silnego gradu lub szczególnie silnych uderzeń, istnieje ryzyko rozbicia szkła. W takiej sytuacji należy zwrócić się do Serwisu Technicznego Nice.

Deklaracja zgodności CE

Deklaracja zgodna z następującymi Dyrektywami: 2006/95/WE (LVD) i 2004/108/CE (EMC)

Uwaga: Zawartość niniejszej deklaracji zgodności odpowiada oświadczeniom znajdującym się w dokumencie urzędowym, złożonym w siedzibie firmy Nice S.p.a., a w szczególności w ostatniej korekcie dostępnej przed wydrukowaniem tej instrukcji. Tekst w niej zawarty został dostosowany w celach wydawniczych. Kopia oryginalnej deklaracji może być zamawiana w firmie Nice S.p.a. (TV) I.

Numer deklaracji: 285/PSY(...)

Wydanie: 1

Język: PL

Nazwa producenta: NICE S.p.a.

Adres: Via Pezza Alta Nr 13, 31046 Rustignè di Oderzo (TV) Italy

Typ urządzenia: Zestaw słoneczny NICE

Model / Typ: Zestaw SYKCE składa się z panelu fotoelektrycznego SYP i akumulatora PSY24


Akcesoria: SYA1

Niżej podpisany Luigi Paro, w charakterze Członka Zarządu Spółki oświadcza na własną odpowiedzialność, że urządzenie wyżej wymienione jest zgodne z rozporządzeniami ustalonymi w następujących dyrektywach:

- Dyrektywa 2006/95/WE PARLAMENTU EUROPEJSKIEGO I RADY z dnia 12 grudnia 2006 roku, dotycząca zbliżenia legislacyjnego krajów członkowskich, w odniesieniu do materiałów elektrycznych przeznaczonych do pracy w niektórych ograniczeniach napięciowych, zgodnie z następującymi normami zharmonizowanymi: EN 60335-1:2002 + A1:2004 + A11:2004 + A12:2006 + A2:2006 + A13:2008
- DYREKTYWA 2004/108/WE PARLAMENTU EUROPEJSKIEGO I RADY z dnia 15 grudnia 2004 roku, dotycząca zbliżenia legislacyjnego krajów członkowskich w odniesieniu do kompatybilności elektromagnetycznej, która uchyla dyrektywę 89/336/EWG zgodnie z następującymi normami zharmonizowanymi: EN 61000-6-2:2005, EN 61000-6-3:2007

Oderzo, dnia 17 marzec 2010 roku

Inż. Luigi Paro
(Członek Zarządu)



TECHNISCHE KENMERKEN

WAARSCHUWINGEN: • Alle vermelde technische gegevens hebben betrekking op een omgevingstemperatuur van 20°C (± 5°C) • Nice S.p.a. behoudt zich het recht voor om, op elk moment dat dit noodzakelijk geacht wordt, wijzigingen aan het product aan te brengen, waarbij hoe dan ook de functionaliteit en de gebruiksbestemming ervan gelijk blijven • SYKCE garandeert het maximaal aantal mogelijke manoeuvres per dag alleen wanneer het zonnepaneel correct gericht is en zich in de condities bevindt die beschreven zijn in Hoofdstuk 3.

PSY24 ACCUMULATOR

BESCHRIJVING	GEGEVENS
Nominale spanning:	24 V
Maximumstroom:	10 W
Nominale capaciteit van de batterij:	20 Ah
Beschermingsklasse:	IP 44
Gebruikstemperatuur:	-20 °C ÷ +50 °C (0 °C ÷ +40 °C bij opladen met behulp van de via het elektriciteitsnet werkende voedingseenheid)
Tijd die nodig is om volledig op te laden:	circa 15 uur (bij gebruik van de via het elektriciteitsnet werkende voedingseenheid)
Afmetingen:	258 mm x 235 mm x 180 mm
Gewicht:	14 kg

Opmerking – De batterijen die in de accumulator PSY24 zitten zijn van het type VRLA (Valve Regulated Lead Acid Batteries), oftewel hermetisch en geregeld via een klep. Ze voldoen aan de specifieke bepaling A67 van het IATA/ICAAO Reglement voor gevaarlijke goederen. PSY24 hoeft dus niet als gevaarlijke handelswaar te worden beschouwd en kan dan ook zonder enig risico door de lucht, over zee en over de weg worden getransporteerd.

SYP ZONNEPANEEL

BESCHRIJVING	GEGEVENS
Nominale spanning:	24 V
Piekvermogen:	15 Wp
Gebruikstemperatuur:	-40 °C ÷ +85 °C
Afmetingen:	390 mm x 415 mm x 28 mm
Gewicht:	1,9 kg

Waarschuwing – Het glas van het zonnepaneel is getest om hagel en stoten van gemiddelde kracht te weerstaan. Bij bijzonder hevige hagel of stoten, kan het glas schade oplopen; in dergelijke gevallen dient u contact op te nemen met de Technische Klantenservice van Nice.

EG-verklaring van overeenstemming

Verklaring in overeenstemming met de Richtlijnen: 2006/95/EG (LVD) en 2004/108/EG (EMC)

Opmerking: de inhoud van deze verklaring stemt overeen met wat verklaard is in het officiële document dat is neergelegd bij de vestiging van Nice S.p.a. en, in het bijzonder, met de laatste revisie die beschikbaar was voor het ter perse gaan van deze handleiding. De hier beschreven tekst werd om uitgeverredenen heraanangepast. U kunt voor iedere product een exemplaar van de originele verklaring aanvragen bij Nice S.p.a. (TV) I.

Nummer verklaring: 285/PSY(...)

Revisie: 1

Taal: NL

Naam fabrikant: NICE S.p.A.

Adres: Via Pezza Alta N°13, 31046 Rustignè di Oderzo (TV) Italy

Producttype: Zonne-energieset Nice

Model / type: Kit SYKCE bestaande uit het zonnepaneel SYP en de accumulator PSY24


Accessoires: SYA1

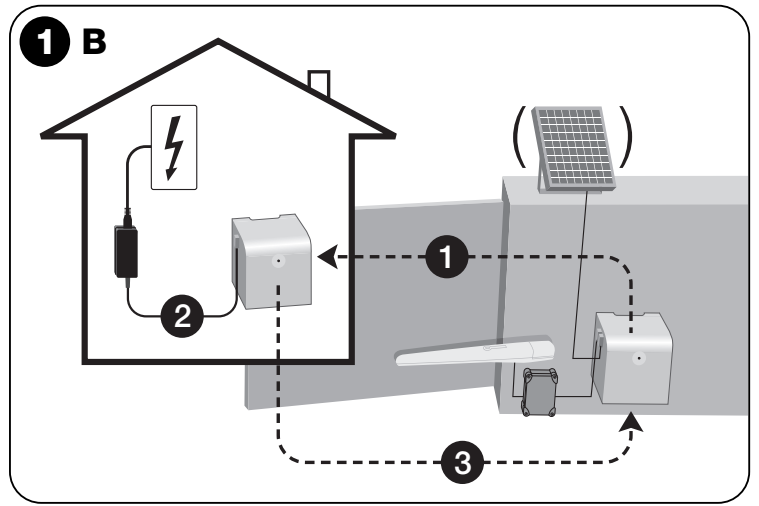
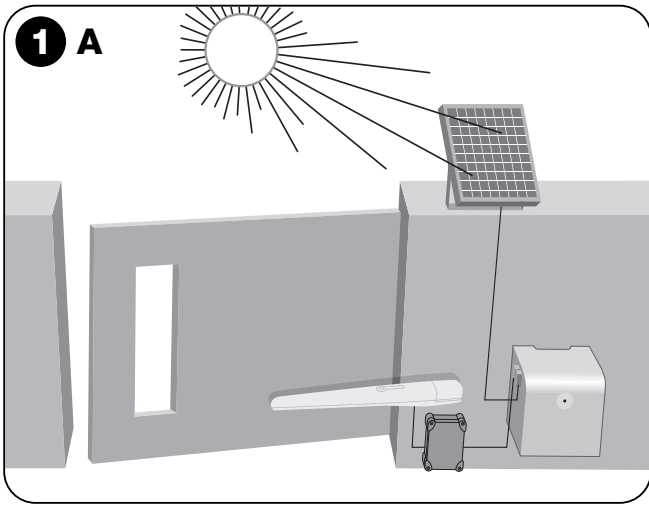
Ondergetekende Luigi Paro, in de hoedanigheid van Gedelegeerd Bestuurder, verklaart onder zijn eigen verantwoordelijkheid dat het hierboven beschreven product voldoet aan de bepalingen uit de volgende richtlijnen:

- Richtlijn 2006/95/EG VAN HET EUROPESE PARLEMENT EN DE RAAD van 12 december 2006 met betrekking tot de onderlinge aanpassing van de wetgevingen van de Lidstaten met betrekking tot elektrisch materiaal dat bestemd is om binnen bepaalde spanningslimieten gebruikt te worden, volgens de volgende geharmoniseerde normen: EN 60335-1:2002 + A1:2004 + A11:2004 + A12:2006 + A2:2006 + A13:2008
- RICHTLIJN 2004/108/EG VAN HET EUROPESE PARLEMENT EN DE RAAD van 15 december 2004 met betrekking tot de onderlinge aanpassing van de wetgevingen van de Lidstaten met betrekking tot de elektromagnetische compatibiliteit waarmee de richtlijn 89/336/EEG wordt afgeschaft, volgens de volgende geharmoniseerde normen: EN 61000-6-2:2005, EN 61000-6-3:2007

Oderzo, 17 maart 2010

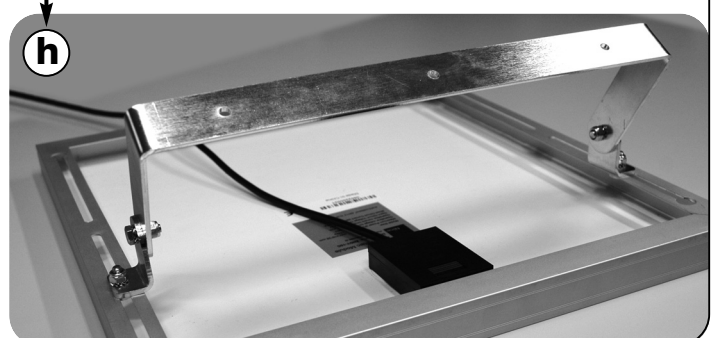
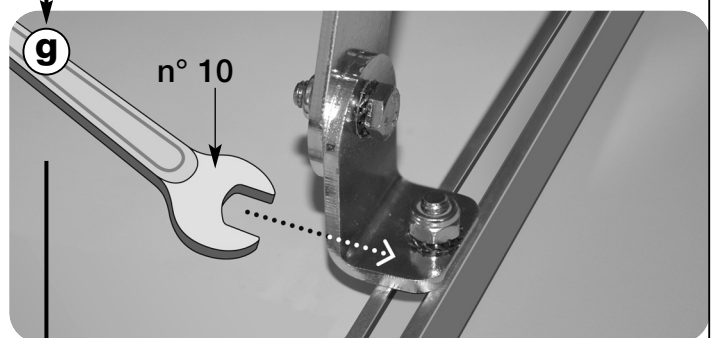
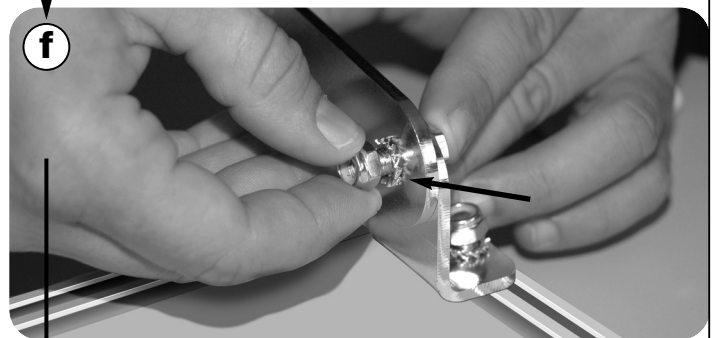
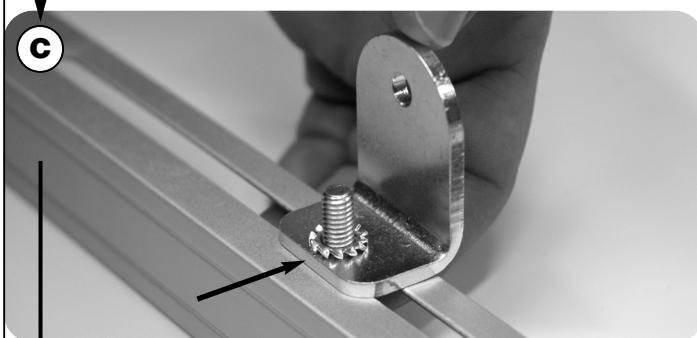
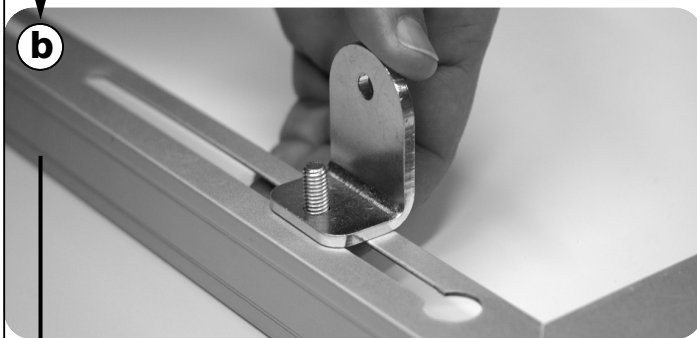
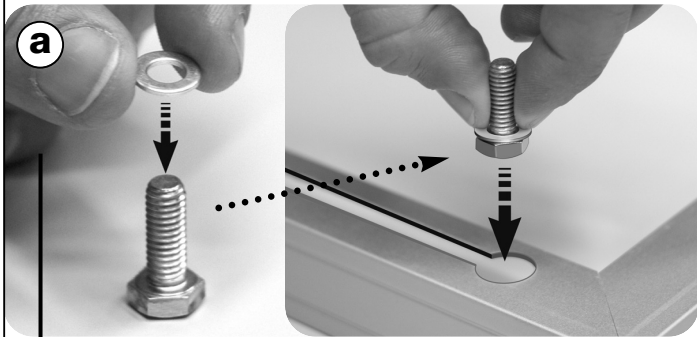
lr. Luigi Paro
(Gedelegeerd Bestuurder)



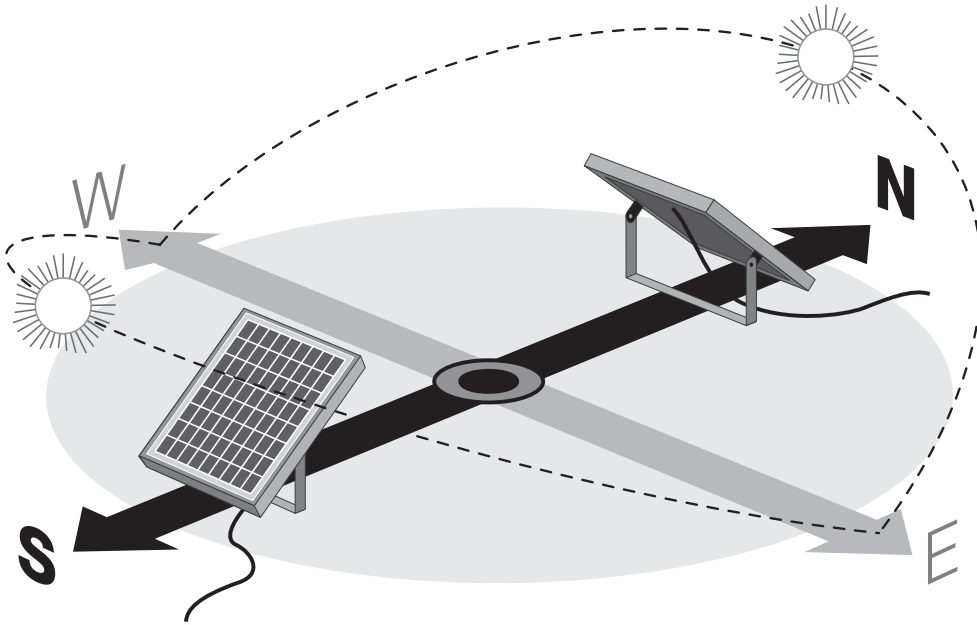


3 EN - Assembly of photovoltaic panel support bracket
 IT - Assemblaggio della staffa di supporto del pannello fotovoltaico
 FR - Assemblage de la patte de support du panneau photovoltaïque
 ES - Ensamblaje del soporte del panel fotovoltaico

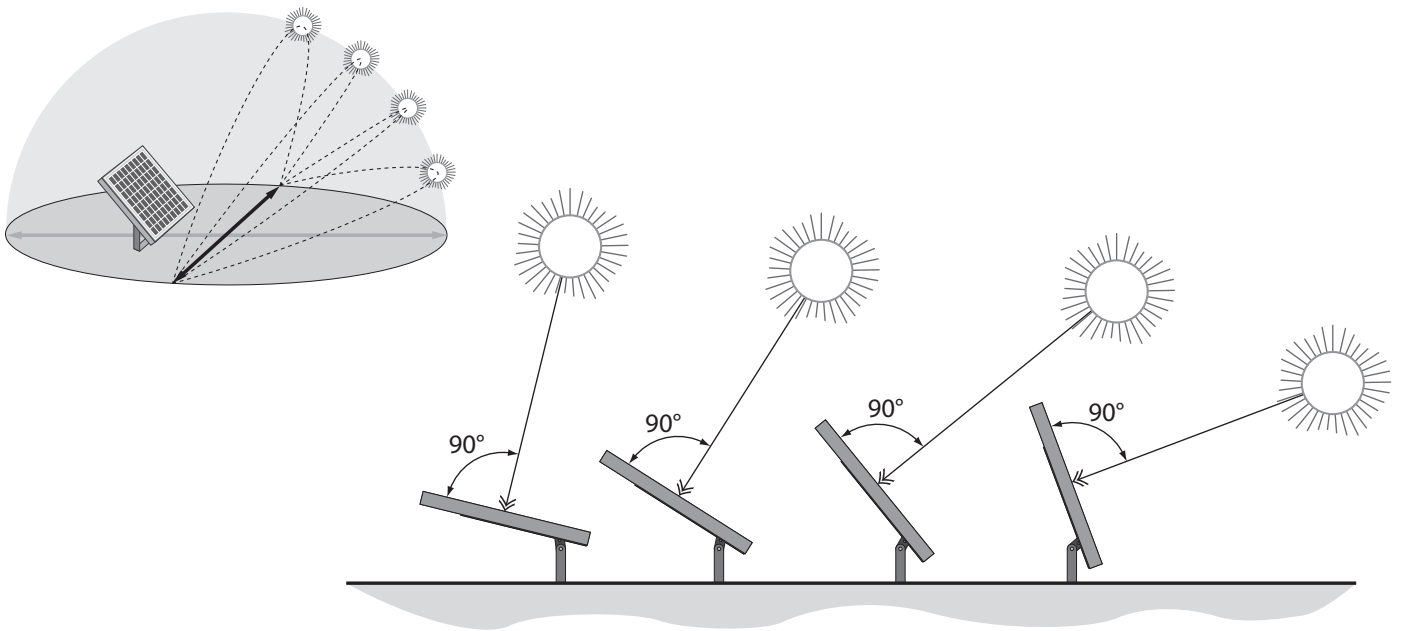
DE - Zusammenbau des Haltebügels des Kollektors für Photovoltaik
 PL - Składanie uchwyty mocującego panelu fotoelektrycznego
 NL - Montage van de draagbeugel van het zonnepaneel



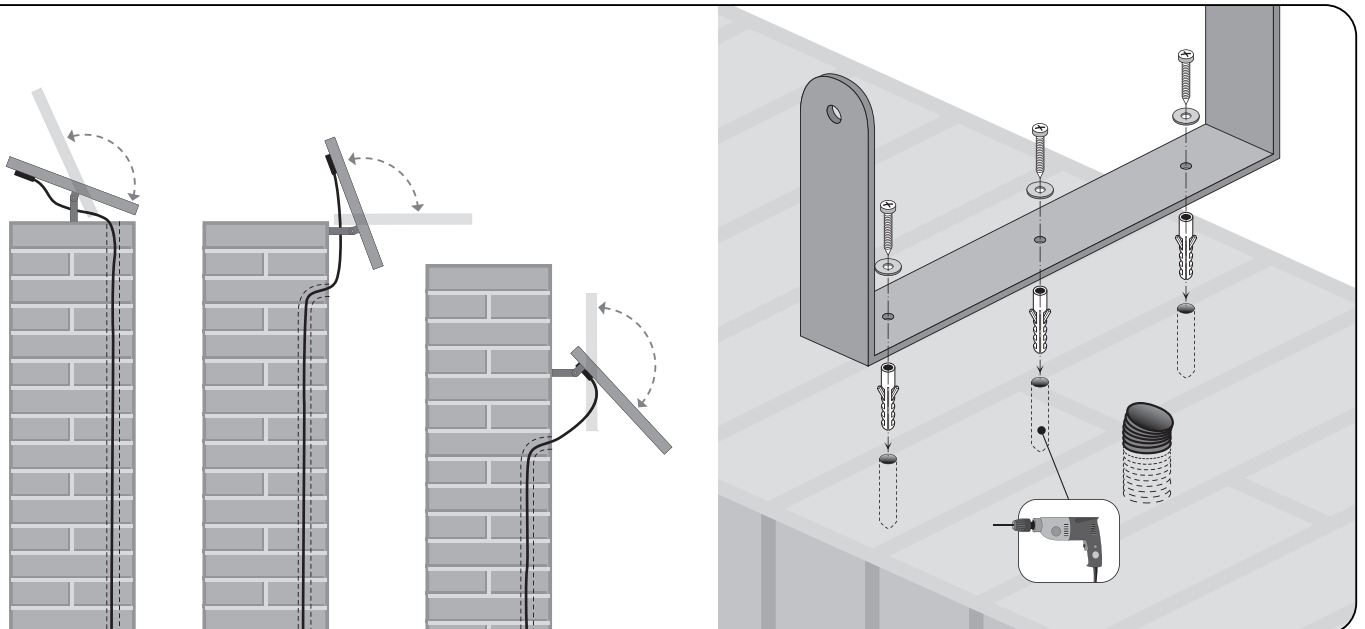
4

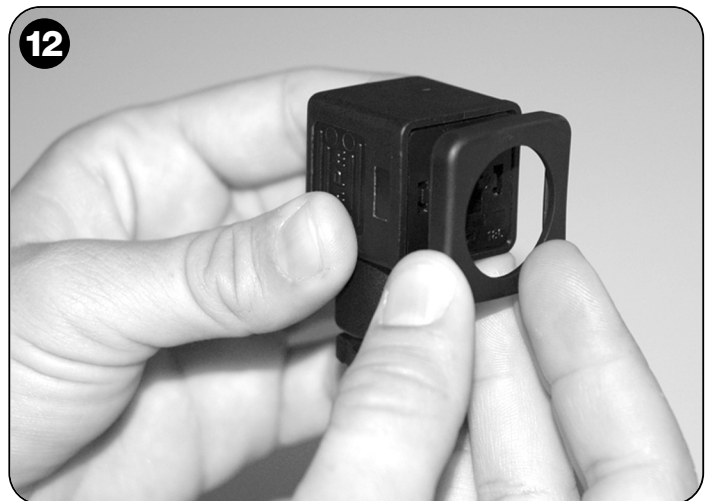
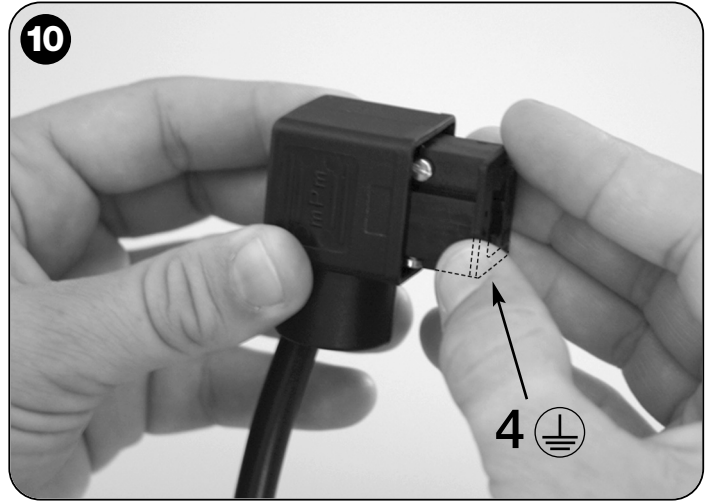
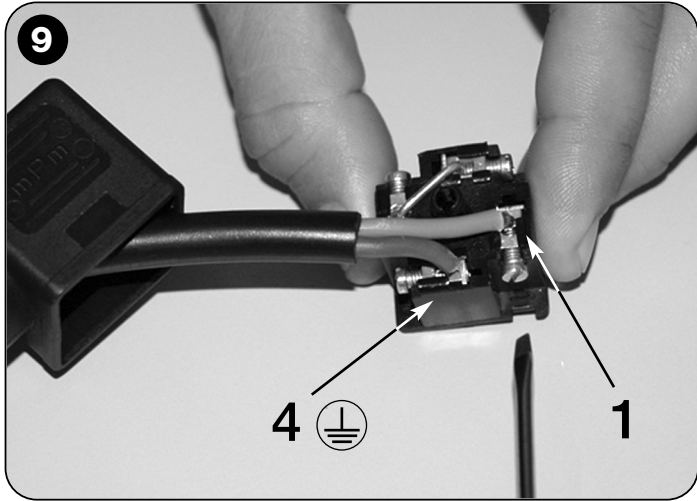
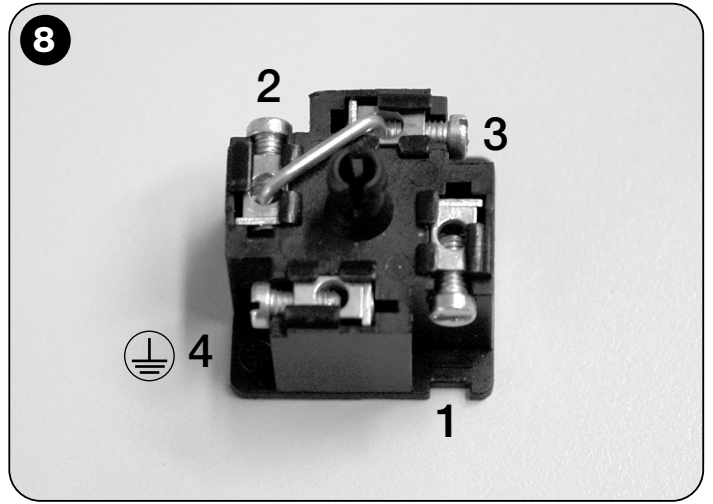
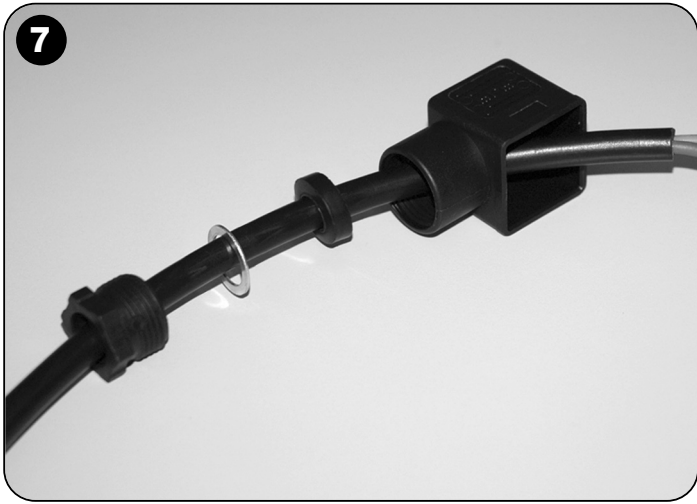


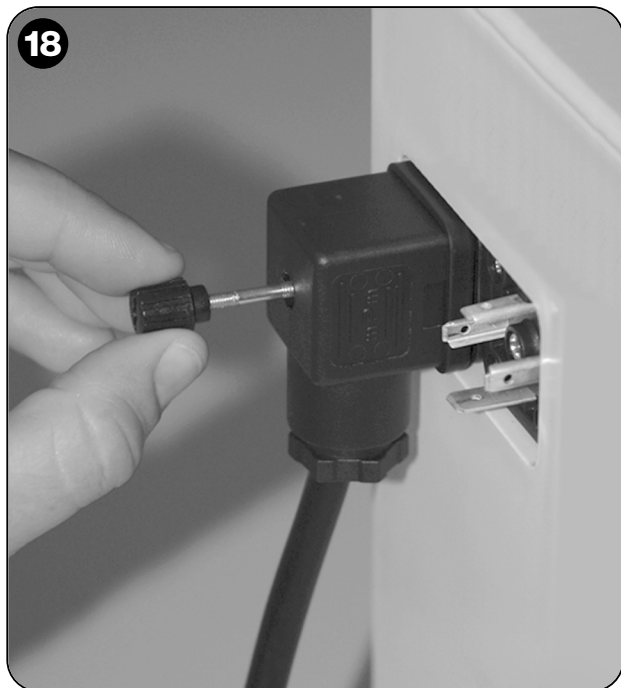
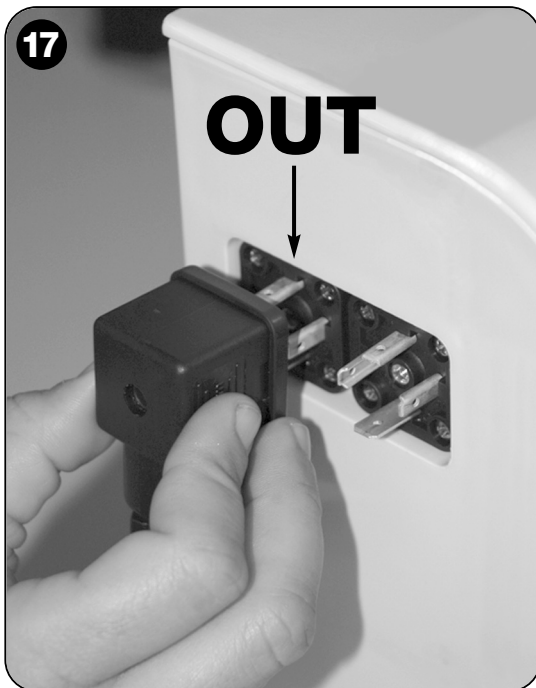
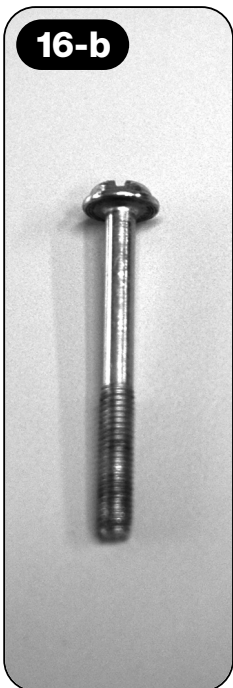
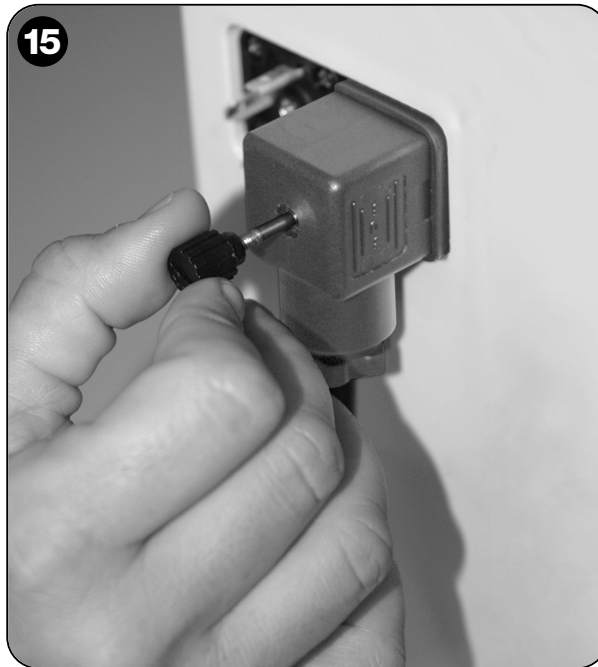
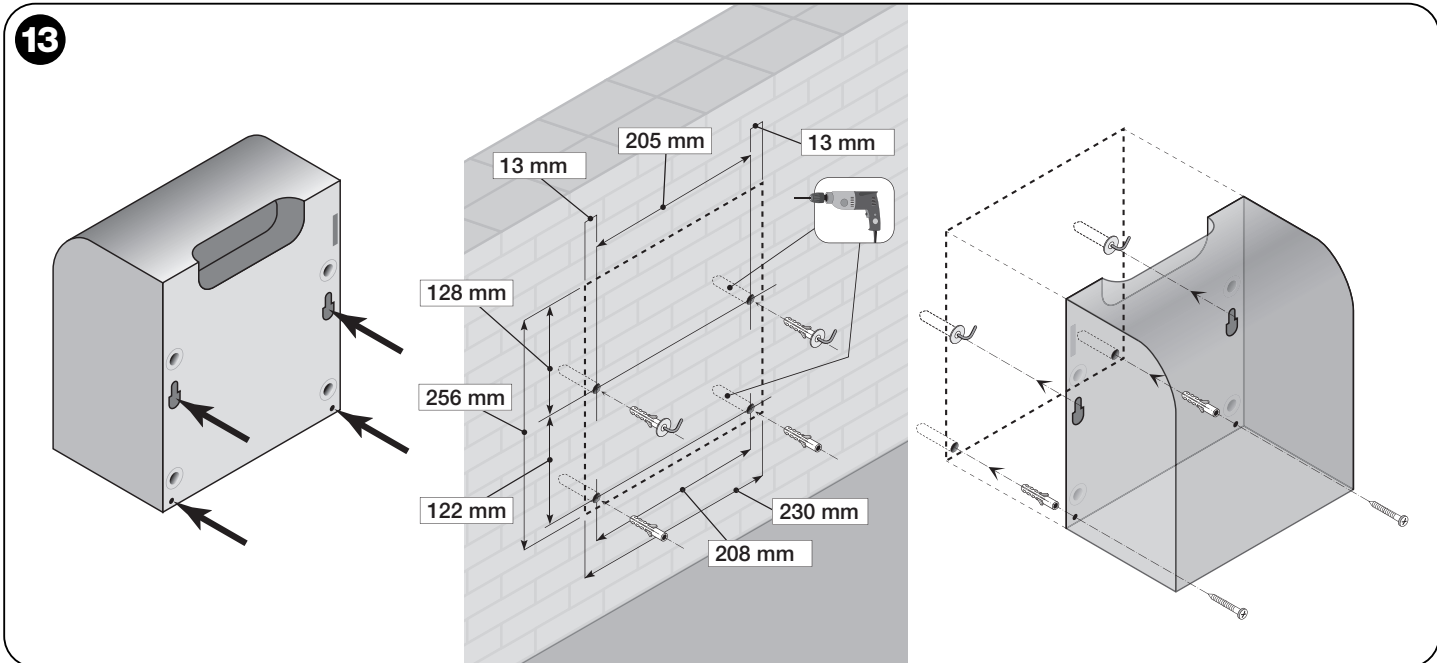
5



6









Nice

Headquarters

Nice SpA

Oderzo TV Italia
Ph. +39.0422.85.38.38
Fax +39.0422.85.35.85
info@niceforyou.com

Nice in Italy

Nice Padova

Sarmeola di Rubano PD Italia
Ph. +39.049.89.78.93.2
Fax +39.049.89.73.85.2
infopd@niceforyou.com

Nice Roma

Roma RM Italia
Ph. +39.06.72.67.17.61
Fax +39.06.72.67.55.20
inforoma@niceforyou.com

Nice Worldwide

Nice France

Buchelay France
Ph. +33.(0)1.30.33.95.95
Fax +33.(0)1.30.33.95.96
info@fr.niceforyou.com

Nice France Sud

Aubagne France
Ph. +33.(0)4.42.62.42.52
Fax. +33.(0)4.42.62.42.50
infomarseille@fr.niceforyou.com

Nice France Rhône Alpes

Decines Charpieu France
Ph. +33.(0)4.78.26.56.53
Fax +33.(0)4.78.26.57.53
info lyon@fr.niceforyou.com

Nice Belgium

Leuven (Heverlee) Belgium
Ph. +32.(0)16.38.69.00
Fax +32.(0)16.38.69.01
info@be.niceforyou.com

Nice Deutschland

Gelnhausen Deutschland
Ph. +49.(0)6051.91.520
Fax +49.(0)6051.91.52.119
info@de.niceforyou.com

Nice España Madrid

Mostoles Madrid España
Ph. +34.(0)9.16.16.33.00
Fax +34.(0)9.16.16.30.10
info@es.niceforyou.com

Nice España Barcelona

Sant Quirze del Valles
Barcelona España
Ph. +34.(0)9.37.84.77.75
Fax +34.(0)9.37.84.77.72
info@es.niceforyou.com

Nice Polska

Pruszków Polska
Ph. +48.(022).759.40.00
Fax +48.(022).759.40.22
info@pl.niceforyou.com

Nice Portugal

Mem Martins Portugal
Ph. +351.21.922.82.10
Fax +351.21.922.82.19
info@pt.niceforyou.com

Nice Romania

Cluj Napoca Romania
Ph./Fax +40.(0)264.453.127
info@ro.niceforyou.com

Nice Turkey

Kadikoy Istanbul Turkey
Ph. +90.216.456.34.97
Fax +90.216.455.78.29
info@tr.niceforyou.com

Nice UK

Sutton in Ashfield
United Kingdom
Ph. +44.16.23.55.80.86
Fax +44.16.23.55.05.49
info@uk.niceforyou.com

Nice Australia

Wetherill Park Australia
Ph. +61.(0)2.96.04.25.70
Fax +61.(0)2.96.04.25.73
info@au.niceforyou.com

Nice China

Shanghai P. R. China
Ph. +86.21.575.701.46/45
Fax +86.21.575.701.44
info@cn.niceforyou.com

Nice USA

Jacksonville Florida USA
Ph. +1.904.786.7133
Fax +1.904.786.7640
info@us.niceforyou.com