



## D-TECT DUAL Motion Detector

The D-TECT Dual is a BS8418 compliant, PIR and microwave external movement detector, which can be used for intruder monitoring, CCTV surveillance and other perimeter pre-alarm applications.

The detector's dual technology sensing module is equipped with one n/o and one n/c volt-free contact with a programmable beam range up to 30 metres, avoiding boundary overspill and offering truly exceptional resistance to false alarms.

### PRODUCT CODES

**GJD360** Dual Tech Zinc alloy housing

**GJD365** Dual Tech ABS housing

#### UNIQUE FEATURES

Adjustable pan and tilt

Selectable detection range

Covert sensor module

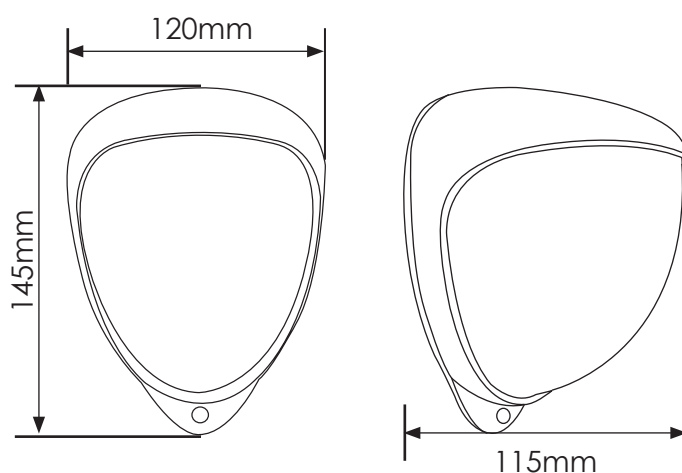
#### END USER BENEFITS

Modern design

High immunity to false alarms

Easy to install and highly cost effective

### DIMENSIONS



## ACCESSORIES

<b>GJD304</b>	Conduit Adaptor
<b>GJD305</b>	Pole Mount Bracket
<b>GJD308</b>	'D-Guard' Anti Vandal Cage
<b>GJD380</b>	Walk Tester

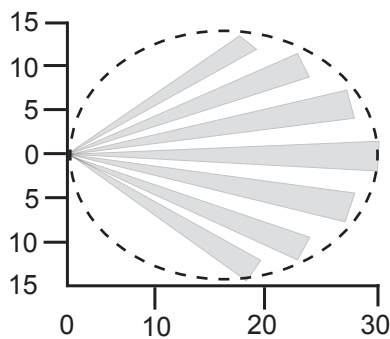
## AVAILABLE IN THE FOLLOWING APPROVED FREQUENCY CODES

10.587GHz **UK**  
 10.525GHz  
 10.41GHz  
 9.9GHz  
 9.35GHz

Zinc alloy housing available in silver, chrome, white or black

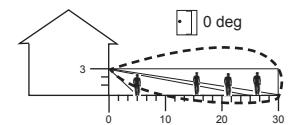
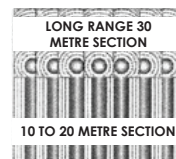
ABS housing only available in silver

## BEAM COVERAGE

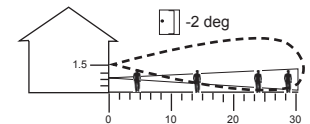


BEAM PATTERN SET TO MAXIMUM RANGE

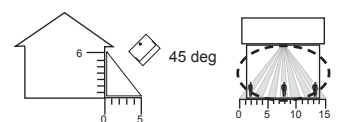
**MULTI-BEAM OPTIMUM**  
 HEIGHT 3 METRES  
 RANGE MAXIMUM  
 MODULE TILT 0 DEGREE



**PET IMMUNITY**  
 HEIGHT 1.5 METRES  
 RANGE MAXIMUM  
 MODULE TILT -2 DEGREE



**CURTAIN COVERAGE**  
 HEIGHT 6 METRES  
 RANGE MAXIMUM  
 MODULE TILT 45 DEGREE



RANGE	10m,20m, 30m programmable
COVERAGE	10° - 70° detection angle, 30m x 30m max
ADJUSTMENT	180° pan + 90° tilt
MOUNTING HEIGHT VARIABLE	Up to 6m - Optimum 3m
FRESNEL LENS	28 zones for each Pyro pair, which can be masked with the curtain sliders
CUSTOMISED OPTICS	Double silicon shielded dual element eliminates 50,000 Lux of white light
INDICATORS	3 x LEDs <b>Green</b> - microwave, <b>Red</b> - PIR, <b>Blue</b> - alarm
MICROWAVE FREQUENCY	Country dependent, refer to approved frequency codes
OUTPUTS	2 x volt-free, silent solid state magnetically immune 1 x normally open - 1 x normally closed Common normally closed front and rear tamper
POWER INPUT	9-15 VDC
CURRENT	15 mA (12V nominal)
PULSE COUNT	1-2
WALK TEST	Output test mode with LED indication
OPERATING TEMP	-20°C to +55°C conformally coated electronics for increased stability
TEMP. COMPENSATION	Digital sensitivity adjustment
HOUSING	High impact zinc alloy
PROTECTION RATING	IP65
DIMENSIONS	145 x 120 x 115 mm
WEIGHT	770g NET, 910g GROSS
CABLE <200M	Utilising all 3 outputs (incl. tamper) - 8 core 7/0.2mm
CABLE <500M	Utilising all 3 outputs (incl. tamper) - 8 core 16/0.2mm

Please note GJD reserve the right to change the information within this document, without notice.