

6" Dual Cone Ceiling Speaker (3W-6W-10W) CSK-610X

Feature:

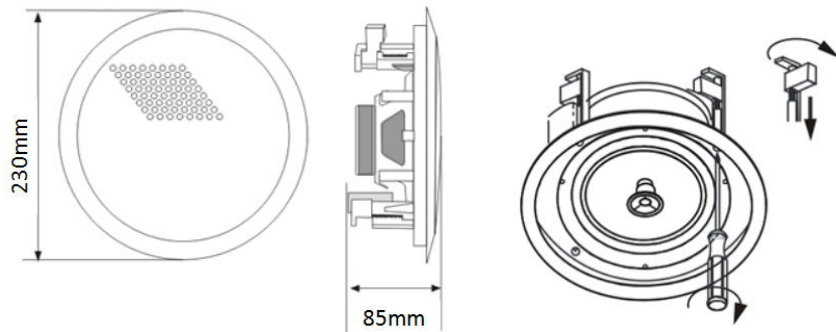
- ✓ Commercial ceiling speaker with transformer
- ✓ Ideal for school, office, hotel and airport BGM
- ✓ Rated power output 10W-6W-3W at 100V
- ✓ 6" dual cone full range paper woofer
- ✓ Line input of 100V or 70V
- ✓ ABS enclosure and metal grille in white
- ✓ Flush mount in-ceiling quick and secure installation



Specification:

Model	CSK-610X
Description	6" Dual Cone Ceiling Speaker
Rated Power Output	10W-6W-3W
Line Input	100V or 70V
Frequency Response	110-18KHz
SPL(@1W/m)	92dB
Speaker Unit	6" full range dual cone woofer
Cutout Size	195mm
Dimension	230(D)×85(H)mm
Material	ABS enclosure and metal grille in white
Mounting Way	Flush mount in-ceiling quick and secure installation
Weight	0.9kg

Dimension & Mounting:



Frequency Response & SPL Diagrams:

