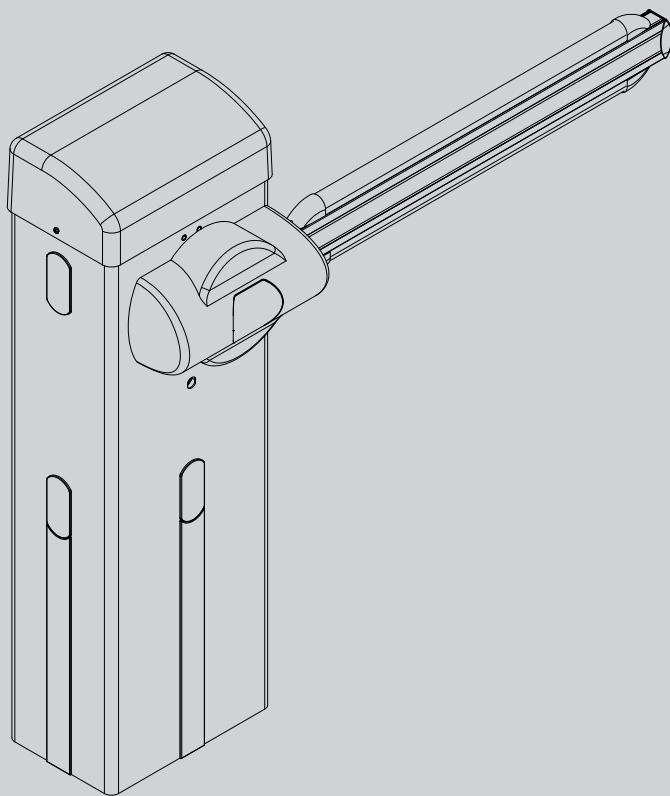


8



AUTOMATISMO ELETTROMECCANICO PER BARRIERA VEICOLARE
 ELECTROMECHANICAL CONTROL DEVICE FOR VEHICULAR BARRIERS
 AUTOMATISME ELECTROMECHANIQUE POUR BARRIERE POUR VEHICULES
 ELEKTROMECHANISCHER ANTRIEB FÜR FAHRZEUGSCHRANKEN
 AUTOMATISMOS ELECTROMECHANICOS PARA BARRERAS VEHICULAR
 ELEKTROMECHANISCH AUTOMATISERINGSSYSTEEM VOOR SLAGBOOM



ISTRUZIONI D'USO E DI INSTALLAZIONE
 INSTALLATION AND USER'S MANUAL
 INSTRUCTIONS D'UTILISATION ET D'INSTALLATION
 INSTALLATIONS-UND GEBRAUCHSANLEITUNG
 INSTRUCCIONES DE USO Y DE INSTALACION
 GEBRUIKS- EN INSTALLATIEAANWIJZINGEN

GIOTTO 30-50 S BT

GIOTTO 30-50 BT

Bft

D811768 00100_03 09-03-12

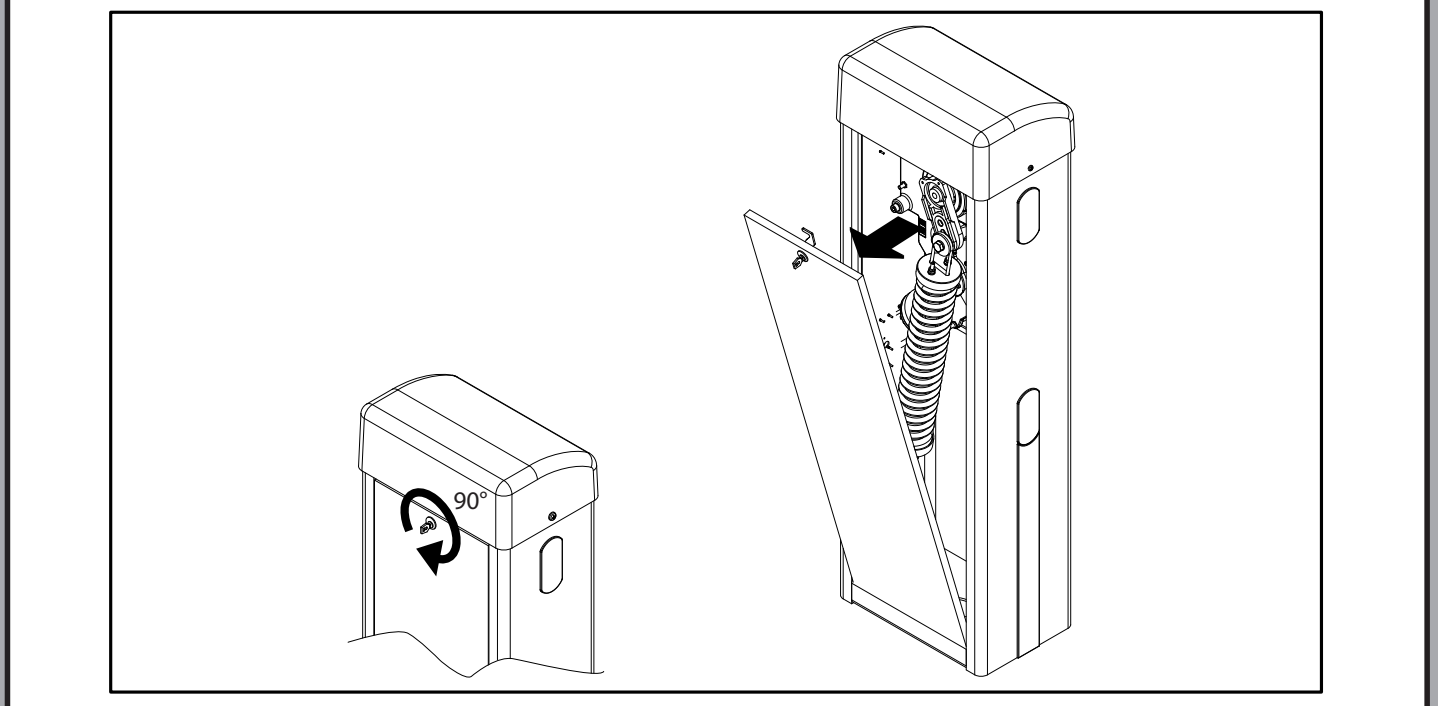
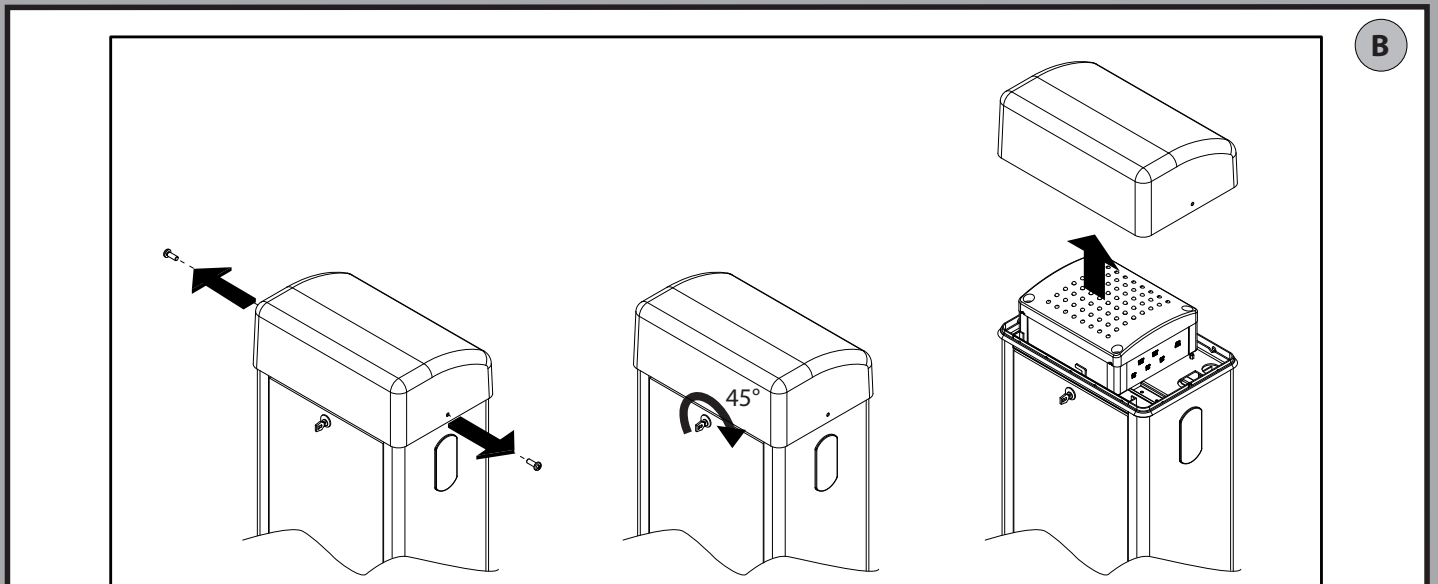
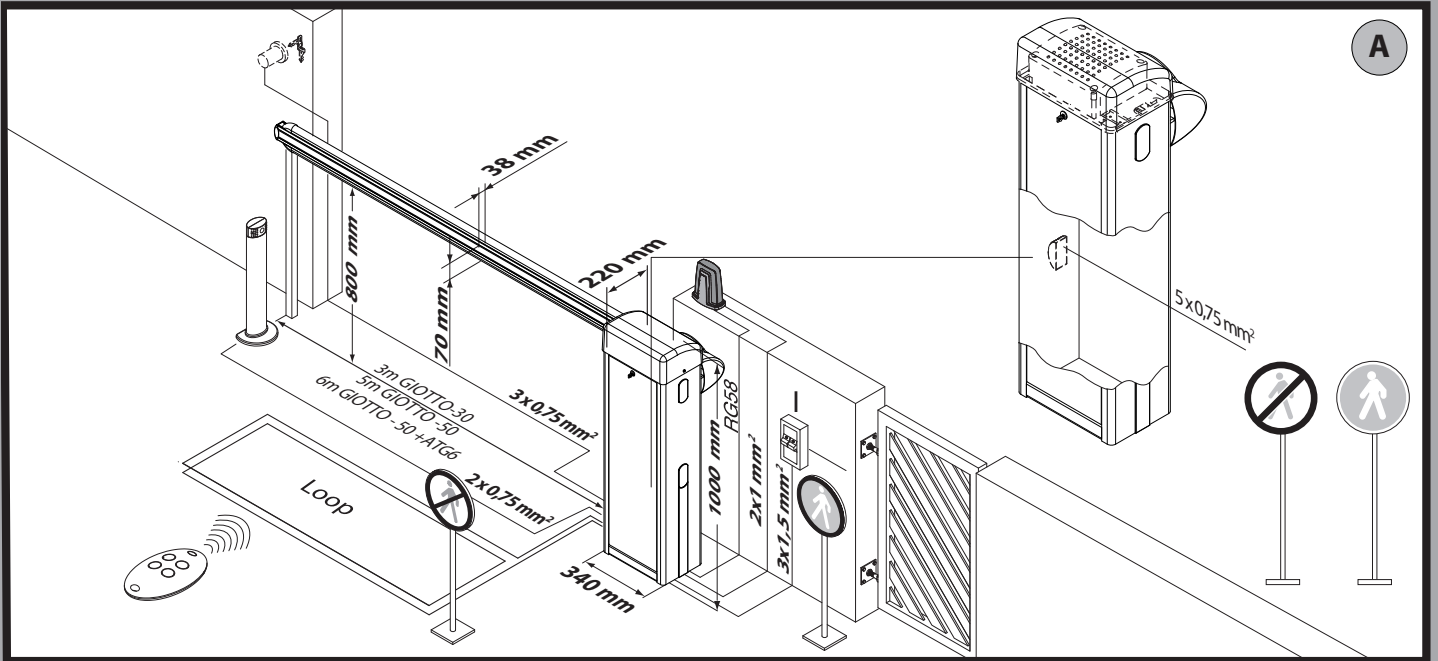


AZIENDA CON SISTEMA DI GESTIONE
 INTEGRATO CERTIFICATO DA DNV
 = UNI EN ISO 9001:2008 =
 UNI EN ISO 14001:2004

Attenzione! Leggere attentamente le "Avvertenze" all'interno! **Caution!** Read "Warnings" inside carefully! **Attention!** Veuillez lire attentivement les Avertissements qui se trouvent à l'intérieur!
Achtung! Bitte lesen Sie aufmerksam die „Hinweise“ im Inneren! **¡Atención!** Leer atentamente las "Advertencias" en el interior! **Let op!** Lees de "Waarschuwingen" aan de binnenkant zorgvuldig!

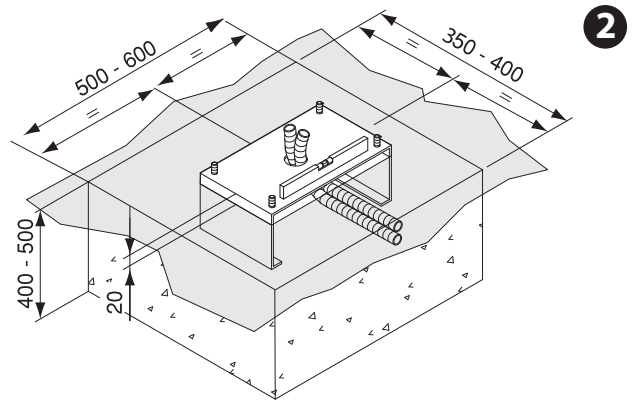
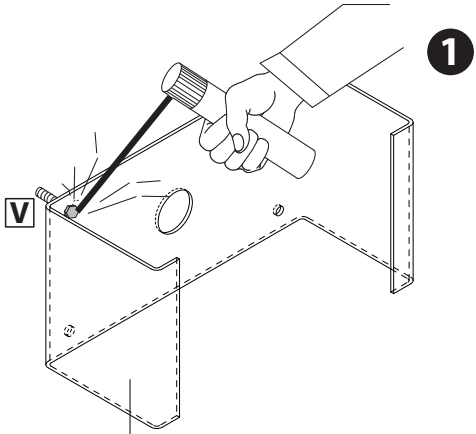
INSTALLAZIONE VELOCE-QUICK INSTALLATION-INSTALLATION RAPIDE
 SCHNELLINSTALLATION-INSTALACION RÁPIDA - SNELLE INSTALLATIE

D811768 00100_03

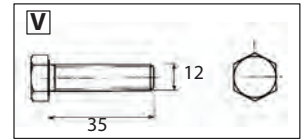


Con scavo di fondazione: // With foundation plate embedded in ground: // Avec tranchée de fondation: // Mit Fundamentgraben: // Con excavación de cimentación: // Met uitgraving:

B1

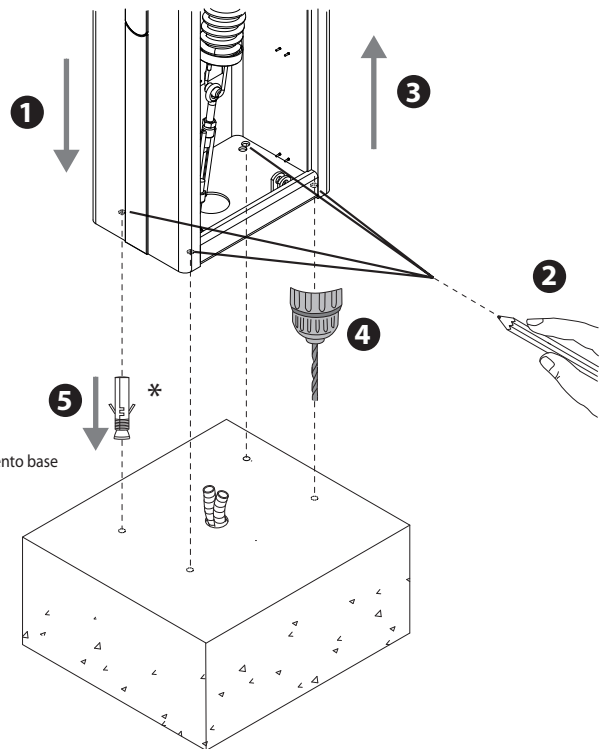
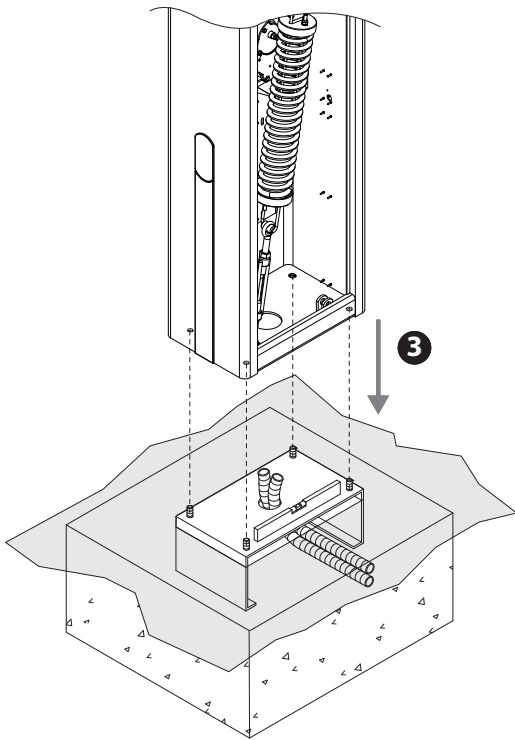


Non in dotazione
Not supplied
Ne sont pas fournis
Nicht im lieferumfang
No asignadas en el equipamiento base
Niet meegeleverd

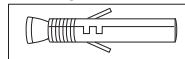


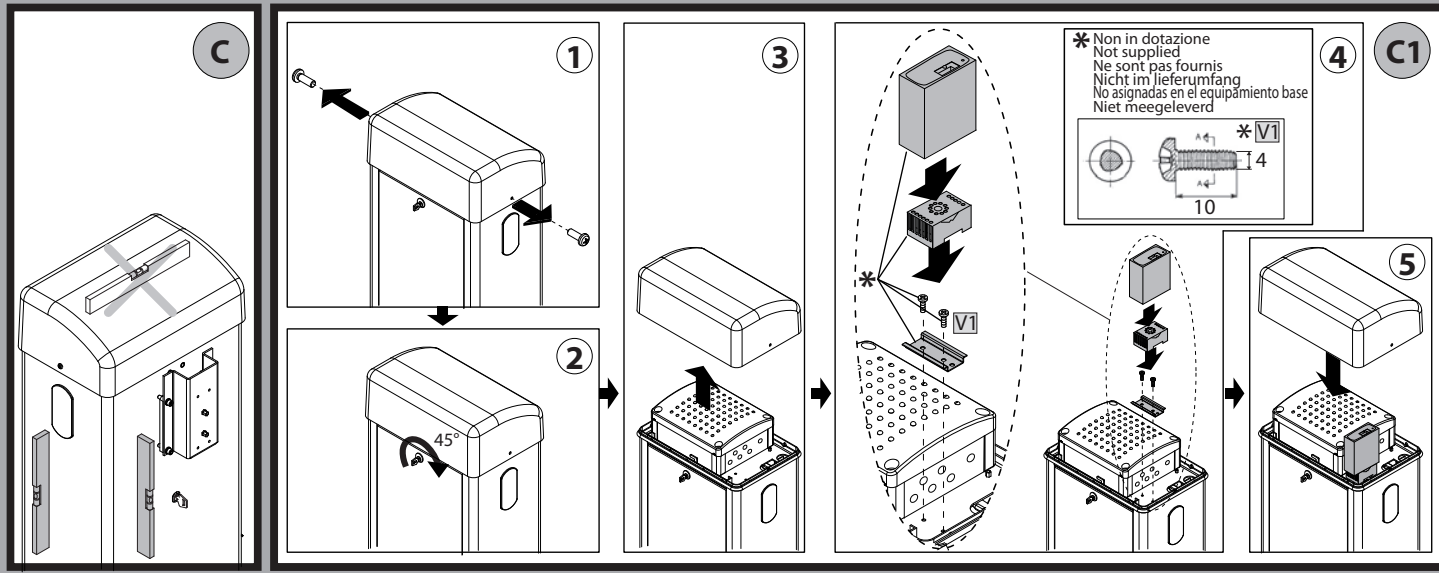
Con tiranti: // With anchor bolts: // Avec tirants: // Mit Ankerbolzen: // Con tirantes: // Met spankabels:

B2



*
Non in dotazione
Not supplied
Ne sont pas fournis
Nicht im lieferumfang
No asignadas en el equipamiento base
Niet meegeleverd





Montaggio Asta, Assembly of boom, Montage de la barre, Montage der Stange, Montaje mástil, Montage stang.

Assicurarsi che la molla non sia in tensione.
 Make sure the spring is not under tension.
 Vérifiez si le ressort n'est pas en tension.
 Sicherstellen, dass die Feder nicht gespannt.
 Asegurarse de que el muelle no esté tensado.
 Controleren of de veer niet onder spanning staat.

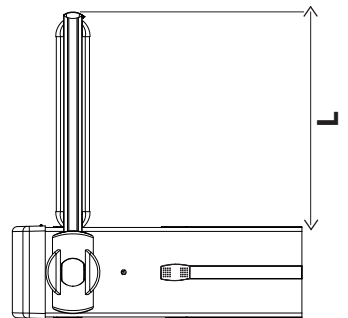
Per montaggio aste fare riferimento ai manuali ATG e AQG.
 See manuals ATG and AQG for boom assembly.
 Pour monter la barre consultez les manuels ATG et AQG.
 Für die Montage der Stange auf die Handbücher ATG und AQG Bezug nehmen.
 Para montaje de los mástiles consultar los manuales ATG y AQG.
 Voor montage stangen de ATG- en AQG-handboeken raadplegen.

Accessori opzionali, Optional extras, Accessoires facultatifs, Sonderzubehör, Accesorios Opcionales, Optionele Accessoires.

GIOTTO 30-50 BT
GIOTTO 30 - 50 S BT

SB
 Siepe/Skirt/Rideau de lisse
 Gitterbehang/Fleco de varillas/Saia

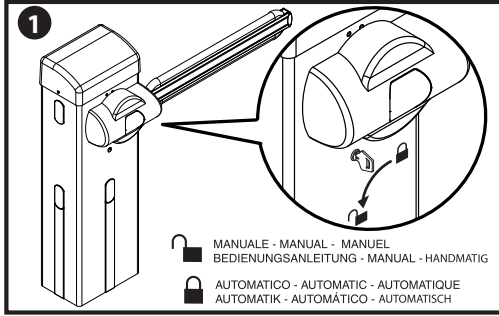
GIOTTO BT / GIOTTO S BT		Accessori: lunghezza utile asta e bilanciamento. / Accessories: working length of boom and balancing. / Accessoires: longueur utile de la barre et équilibrage. / Zubehör: Nutzlänge Schranke und Auswuchtung. / Accesorios: longitud útil mástil y balance. / Accessoires: nuttige lengte slagboom en balancerings.																		
		+ SB	+ SB	+ SB	+ SB	+ SB	+ SB	+ SB	+ SB	+ SB	+ SB	+ SB	+ SB	+ SB	+ SB	+ SB	+ SB	+ SB		
SB																				
	PCA																			
(solo sopra l'asta)*1																				
PCA																				
(solo sotto l'asta)*2																				
KIT GTO LIGHT																				
GAM																				
BIR																				
GIOTTO BT/ GIOTTO S BT 50	A	MIN L	3,2 m	3,2 m	3,3 m	3,7 m	3,8 m	4 m	4,2 m	4,3 m	4,5 m	4,8 m	3,4 m	3,6 m	4,1 m	4,2 m	4,4 m	4,6 m	4,7 m	5 m
		MAX L	3,5 m	3,6 m	3,7 m	4,2 m	4,3 m	4,5 m	4,7 m	4,8 m	5 m	5 m	5 m	3,8 m	4 m	4,5 m	4,6 m	4,9 m	5 m	5 m
	B	MIN L	2,4 m	2,5 m	2,6 m	2,9 m	2,9 m	3,1 m	3,2 m	3,3 m	3,5 m	3,7 m	2,7 m	2,8 m	3,2 m	3,3 m	3,4 m	3,6 m	3,7 m	3,9 m
		MAX L	3,3 m	3,3 m	3,5 m	3,9 m	4 m	4,2 m	4,3 m	4,4 m	4,7 m	5 m	5 m	3,5 m	3,7 m	4,2 m	4,3 m	4,5 m	4,7 m	4,9 m
GIOTTO BT/ GIOTTO S BT 30	A	MIN L	2,4 m	2,5 m	2,5 m	2,9 m	2,9 m						2,7 m	2,8 m						
		MAX L	2,7 m	2,7 m	2,8 m	3 m	3 m							2,9 m	3 m					
	B	MIN L	1,9 m	2 m	2 m	2,3 m	2,3 m	2,5 m	2,5 m	2,6 m	2,8 m	2,9 m	2,2 m	2,3 m	2,6 m	2,7 m	2,8 m	2,9 m		
		MAX L	2,3 m	2,3 m	2,4 m	2,7 m	2,8 m	2,9 m	3 m	3 m	3 m	3 m	3 m	2,5 m	2,6 m	3 m	3 m	3 m	3 m	
C	MIN L	1 m	1,1 m	1,1 m	1,2 m	1,3 m	1,3 m	1,3 m	1,4 m	1,5 m	1,6 m	1,6 m	1,3 m	1,3 m	1,5 m	1,6 m	1,7 m	1,7 m	1,8 m	1,9 m
	MAX L	1,9 m	2 m	2 m	2,3 m	2,3 m	2,5 m	2,5 m	2,5 m	2,8 m	2,9 m	2,9 m	2,2 m	2,3 m	2,6 m	2,7 m	2,8 m	2,9 m	3 m	3 m
GIOTTO 50 BT/ + ATG 6	A	MIN L	3,2 m	3,2 m	3,3 m	3,7 m	3,8 m	4 m	4,2 m	4,3 m	4,5 m	4,8 m	3,4 m	3,6 m	4,1 m	4,2 m	4,4 m	4,6 m	4,7 m	5 m
		MAX L	3,5 m	3,6 m	3,7 m	4,2 m	4,3 m	4,5 m	4,7 m	4,8 m	5 m	5 m	5 m	3,8 m	4 m	4,5 m	4,6 m	4,9 m	5 m	5 m



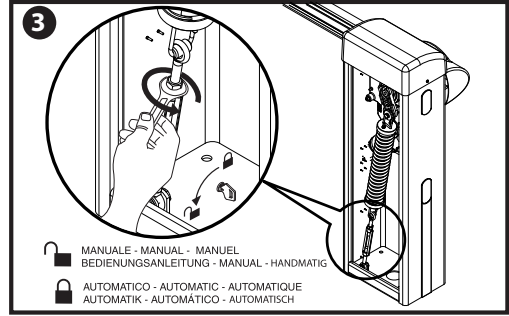
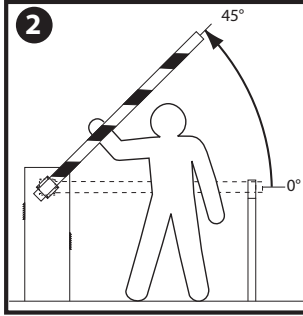
L: Lunghezza utile asta.
L: Working boom length.
L: Longueur utile de la barre.
L: Nutzlänge der Schranke.
L: Longitud útil mástil.
L: Nuttige lengte slagboom.

*1
(above boom only)
(uniquement sur la barre)
(nur über der Schranke)
(solo sobre el mástil)
(alleen boven de slagboom)

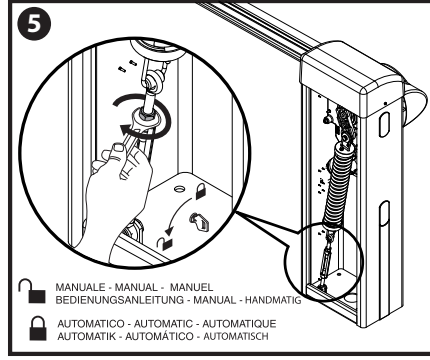
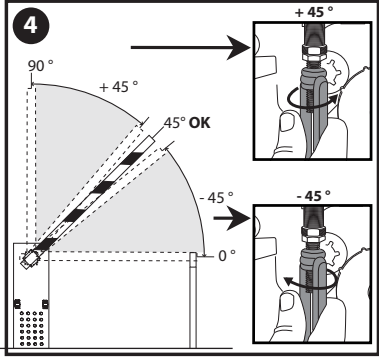
*2
(below boom only)
(uniquement sous la barre)
(nur unter der Schranke)
(solo debajo el mástil)
(alleen onder de slagboom)



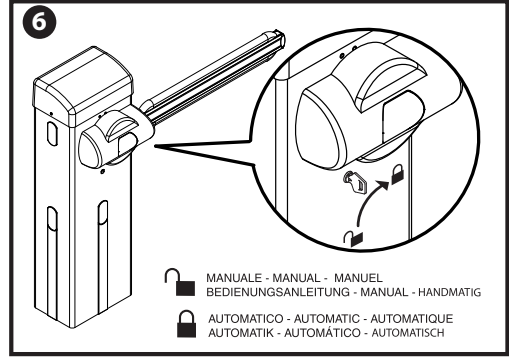
MANUALE - MANUAL - MANUEL
 BEDIENUNGSANLEITUNG - MANUAL - HANDMATIC
 AUTOMATICO - AUTOMATIC - AUTOMATIQUE
 AUTOMATIK - AUTOMÁTICO - AUTOMATISCH



MANUALE - MANUAL - MANUEL
 BEDIENUNGSANLEITUNG - MANUAL - HANDMATIC
 AUTOMATICO - AUTOMATIC - AUTOMATIQUE
 AUTOMATIK - AUTOMÁTICO - AUTOMATISCH

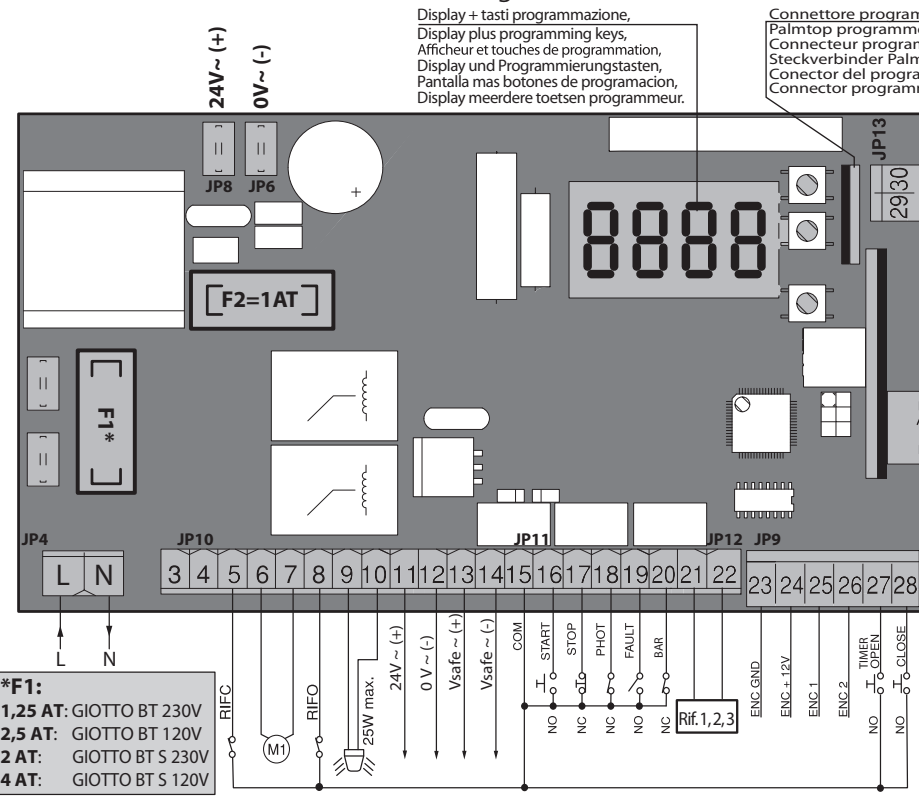


MANUALE - MANUAL - MANUEL
 BEDIENUNGSANLEITUNG - MANUAL - HANDMATIC
 AUTOMATICO - AUTOMATIC - AUTOMATIQUE
 AUTOMATIK - AUTOMÁTICO - AUTOMATISCH



MANUALE - MANUAL - MANUEL
 BEDIENUNGSANLEITUNG - MANUAL - HANDMATIC
 AUTOMATICO - AUTOMATIC - AUTOMATIQUE
 AUTOMATIK - AUTOMÁTICO - AUTOMATISCH

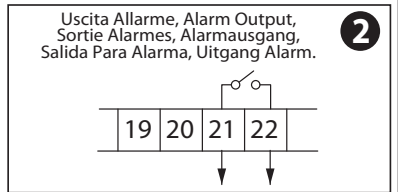
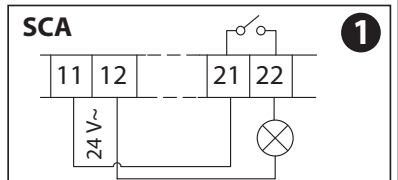
Collegamenti morsetteria, Terminal board wiring, Branchements sur le bornier, Anslüsse Klemmleiste, Conexiones tablero de bornes, Anslutningen aansluitkast.



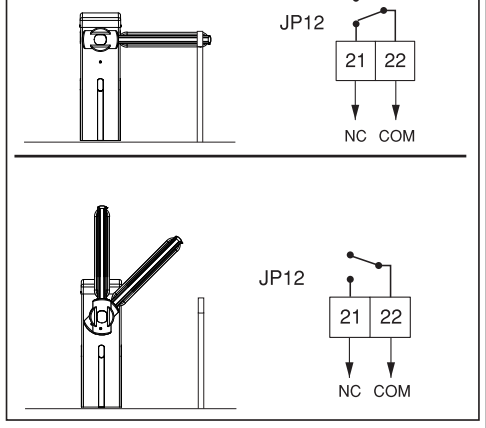
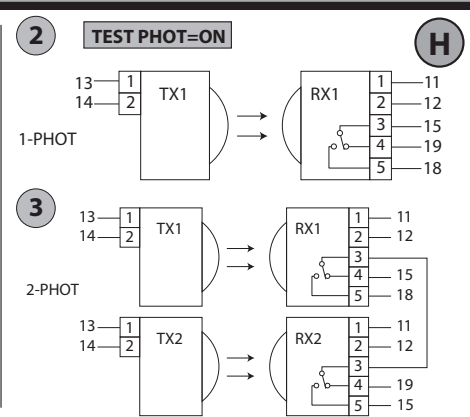
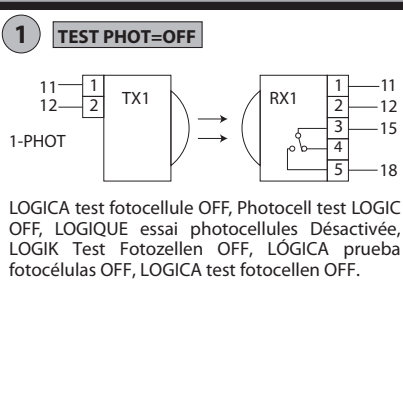
Display + tasti programmazione,
 Display plus programming keys,
 Afficheur et touches de programmation,
 Display und Programmierungstasten,
 Pantalla mas botones de programacion,
 Display meerdere toetsen programmeur.

Connettore programmatore palmare,
 Palmtop programmer connector,
 Connecteur programmeur de poche,
 Steckverbinder Palmtop-Programmierer,
 Conector del programador de bolsillo,
 Connector programmeerbare palmtop.

Connettore scheda opzionale,
 Optional board connector,
 Connecteur carte facultative,
 Steckverbinder Zusatzkarte,
 Conector de la tarjeta opcional,
 Connector optionele kaart.



Connezione A Sistema Gestione Parcheggio Parky,
 Connection To Parky Car-park Management System,
 Connexion Au Systeme De Gestion Des Parkings Parky,
 Anschluss An Das Parkplatzbewirtschaftungssystem Parky,
 Conexion Al Sistema De Gestion De Aparcamien tos Parky,
 Erbinding Met Beheersysteem Parky-parkeerplaatsen.



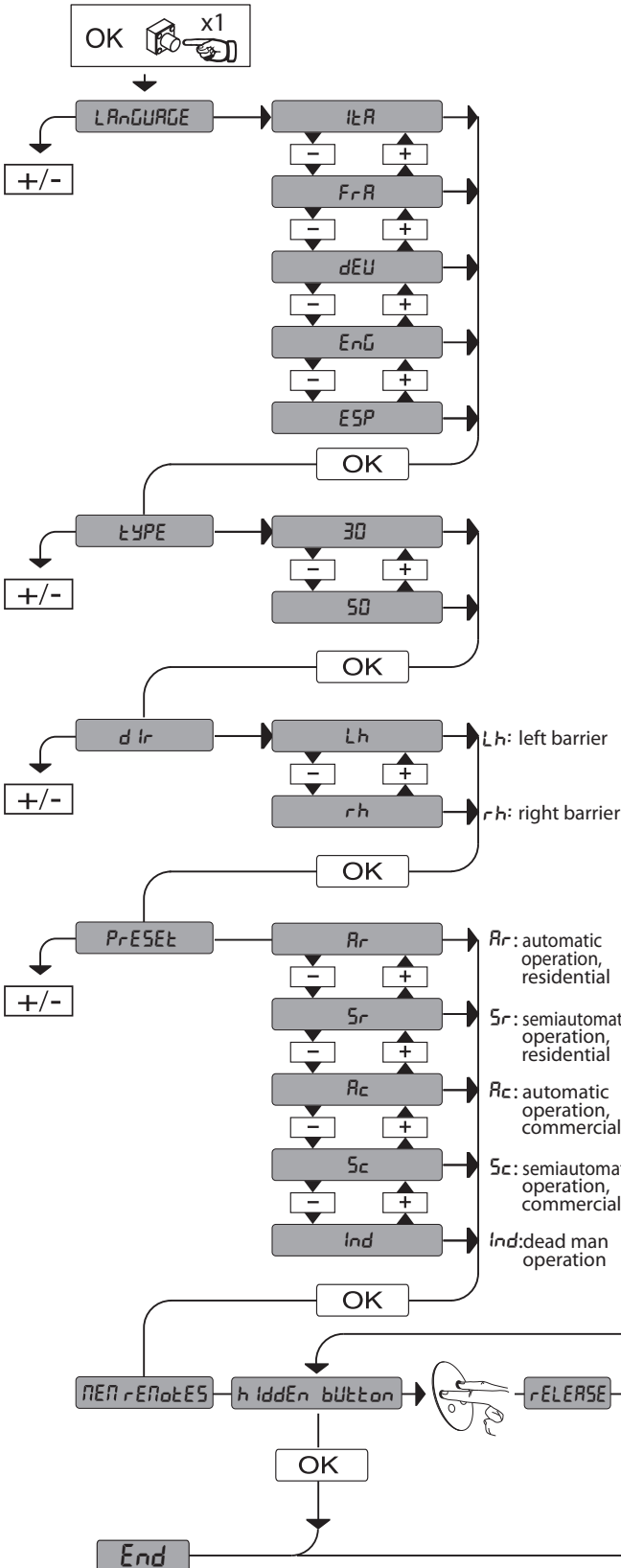
SIMPLIFIED MENU

D811768 001 00_03

LEGENDA

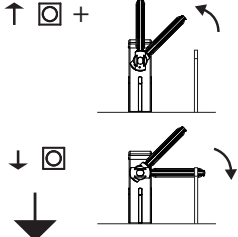
- + Scroll up
- Scroll down
- OK Confirm/Switch on display
- Exit Menu

PRESET	DEFAULT	R _r	S _r	R _c	S _c	ind
PARAMETERS						
Automatic Closing Time	10	10	10	5	5	5
Opening motor torque	75	99	99	99	99	99
Closing motor torque	75	99	99	99	99	99
Speed during opening	99	99	99	99	99	99
Speed during closing	99	99	99	99	99	99
Slow-down distance	70	(GIOTTO BT 30/ GIOTTO S BT 30) 70	(GIOTTO BT 30/ GIOTTO S BT 30) 70	(GIOTTO BT 30/ GIOTTO S BT 30) 70	(GIOTTO BT 30/ GIOTTO S BT 30) 70	(GIOTTO BT 30/ GIOTTO S BT 30) 70
Alarm time	30	60	60	30	30	30
Braking	2	2	2	2	2	2
Zone	0	0	0	0	0	0
Opening value calibration	80	80	80	80	80	80
Closing value calibration	25	25	25	25	25	25
Acceleration	3	3	3	3	3	3
LOGIC						
Automatic Closing Time	ON	ON	OFF	ON	OFF	OFF
Block Pulses	ON	OFF	OFF	ON	ON	OFF
Impulse lock TCA	OFF	OFF	OFF	OFF	OFF	OFF
2 step	OFF	OFF	OFF	OFF	OFF	OFF
3 step	ON	ON	OFF	ON	OFF	OFF
Pre-alarm	OFF	OFF	OFF	ON	ON	OFF
Deadman	OFF	OFF	OFF	OFF	OFF	ON
Photocells during opening	ON	ON	ON	ON	ON	OFF
Rapid closing	OFF	OFF	OFF	OFF	OFF	OFF
Photocell test	OFF	OFF	OFF	OFF	OFF	OFF
Master/slave	OFF	OFF	OFF	OFF	OFF	OFF
Fixed code	OFF	OFF	OFF	OFF	OFF	OFF
Remote control programming	ON	ON	ON	ON	ON	ON
SCA Alarm	ON	ON	ON	OFF	OFF	ON
Reversing motion	OFF	OFF (left)	OFF (left)	OFF (left)	OFF (left)	OFF (left)
Timer on open	OFF	OFF	OFF	ON	ON	OFF



REGOLAZIONI PRELIMINARI, PRELIMINARY ADJUSTMENTS, RÉGLAGES PRÉALABLES, VORLÄUFIGE EINSTELLUNGEN, REGULACIONES PRELIMINARES, VOORLOPIGE AFSTELLINGEN.

I



Modificare i valori seguenti fino a raggiungere il movimento dell'asta desiderato,
 Edit the following values until you are happy with boom movement,
 Modifiez les valeurs suivantes jusqu'à ce que la barre se déplace de la façon voulue,
 Die folgenden Werte verändern, bis die gewünschte Bewegung der Stange erzielt wird,
 Modificar los siguientes valores hasta lograr el movimiento deseado del mástil,
 Onderstaande waarden wijzigen tot de beweging van de gewenste stang bereikt wordt.

OK x 2

PRrRn

OK

cRL AP. - oPEr cRL
 cRL oUu. - oFF. HRL. → OK → [80] default → P1 ↑+ / P2 ↓- → PrG oH

cRL ch-cloS cRL ib.
 -cRLFErR. -SchHRL
 -cRLc iE → OK → [25] default → P1 ↑+ / P2 ↓- → PrG oH

uEL AP. - oP. SPEED
 - u it oUu -
 oFFnUnGSGESchu → OK → [99] default → P1 ↑+ / P2 ↓- → PrG oH

uEL ch. - cL. SPEED
 - u it FErR -
 SchL iEbGESchu → OK → [99] default → P1 ↑+ / P2 ↓- → PrG oH

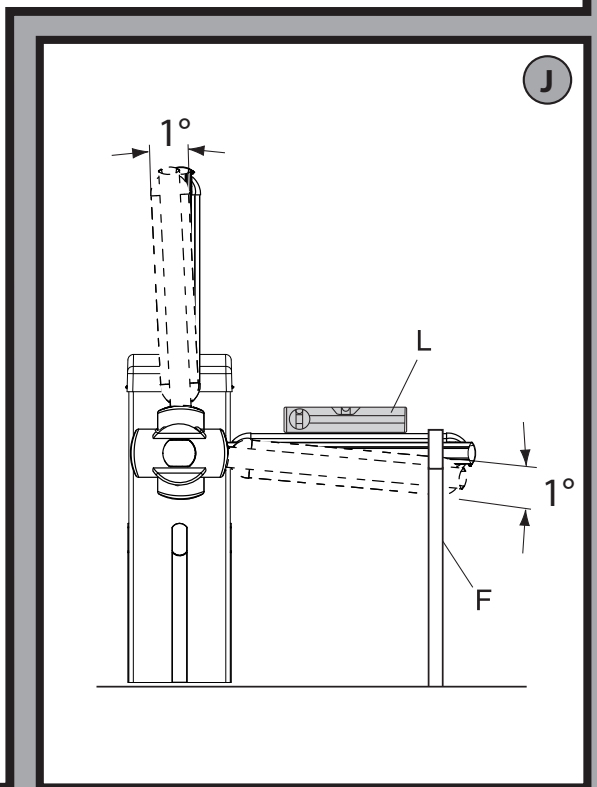
SPR2 io rALL -
 d iStSLoUd -
 ESPrRL - ESPdEcEL → OK → [70] default → P1 ↑+ / P2 ↓- → PrG oH

RccEL. - RccELer -
 RccEL - bESchLEUn GUnG → OK → [3] default → P1 ↑+ / P2 ↓- → PrG oH

FrEno - brAKE -
 FrE in - brENSE → OK → [2] default → P1 ↑+ / P2 ↓- → PrG oH

+
 - x 2

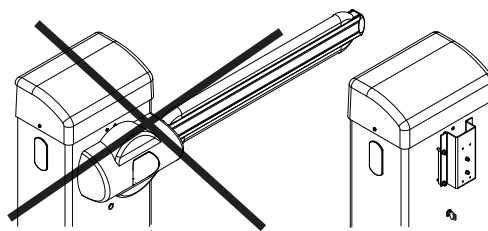
F inE-End-F in



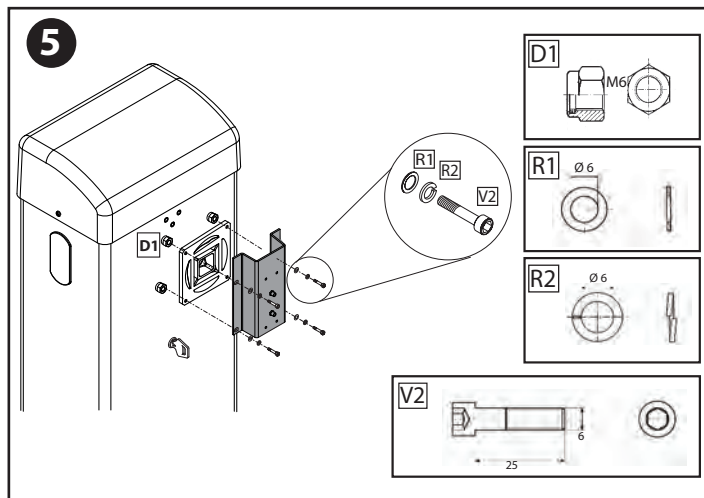
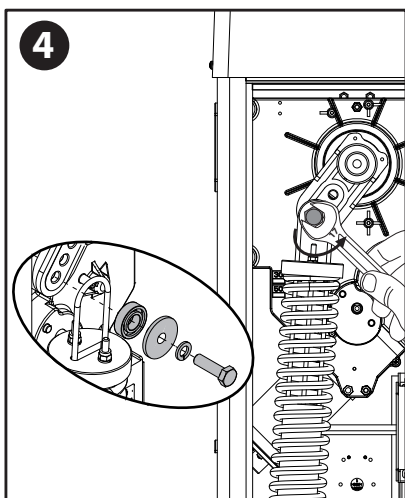
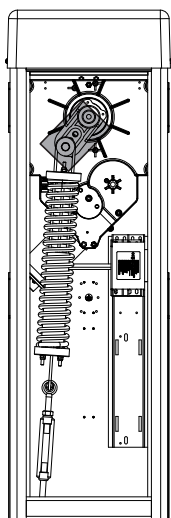
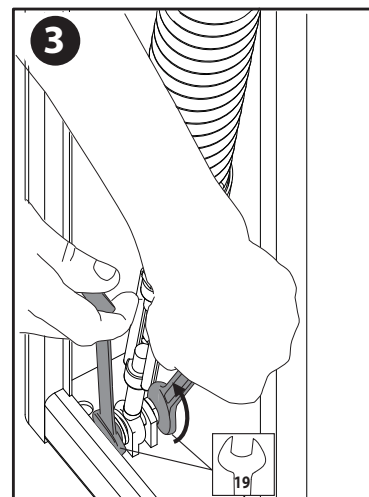
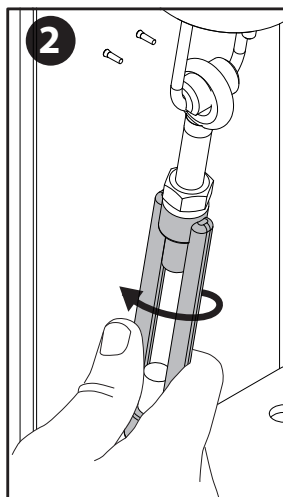
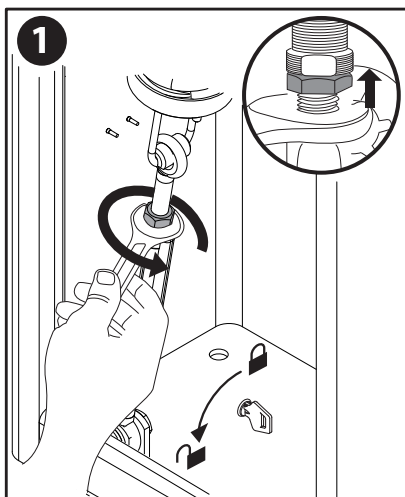
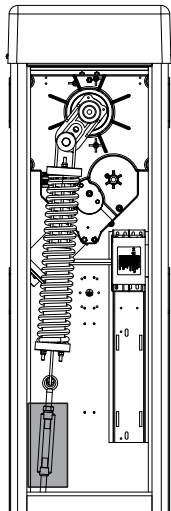
MONTAGGIO ASTA DESTRA, ASSEMBLY OF RIGHT BOOM, MONTAGE DE LA BARRE DROITE, RECHTE MONTAGE DER STANGE, MONTAJE MÁSTIL DERECHO, MONTAGE RECHTERSTANG.

AA

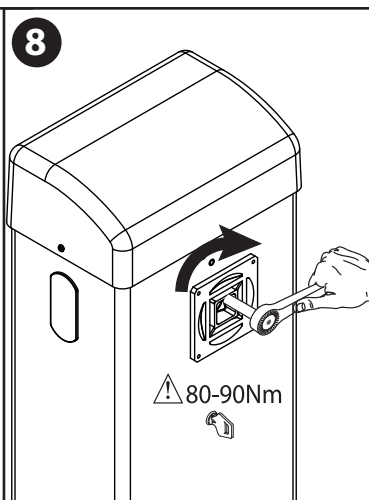
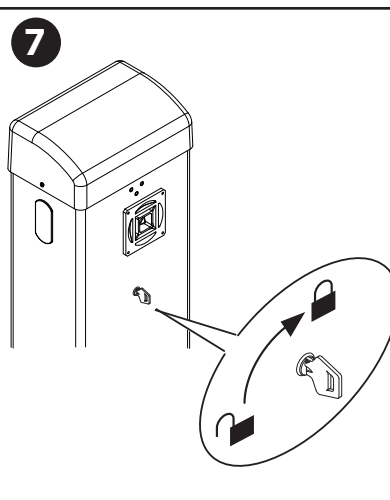
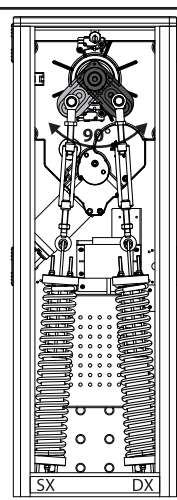
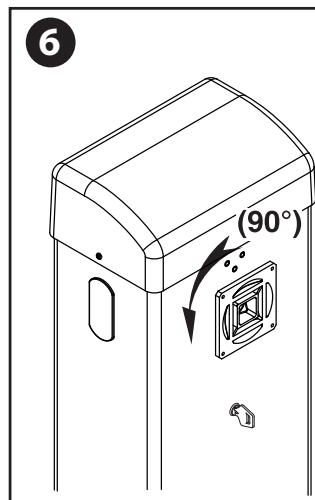
Assicurarsi che la molla non sia in tensione, e l'asta non sia montata.
 Make sure the spring is not under tension and the boom is not fitted.
 Vérifiez si le ressort n'est pas en tension et si la tige n'est pas montée.
 Sicherstellen, dass die Feder nicht gespannt und die Stange nicht montiert ist.
 Asegurarse de que el muelle no esté tensado y de que el mástil no esté montado.
 Controleren of de veer niet onder spanning staat, en de stang niet gemonteerd is.



Smontare il gruppo molla, Remove the spring assembly, Démontez le groupe ressort, Die Feder-Baugruppe ausbauen, Desmontar el grupo muelle, De groep veer demonteren.

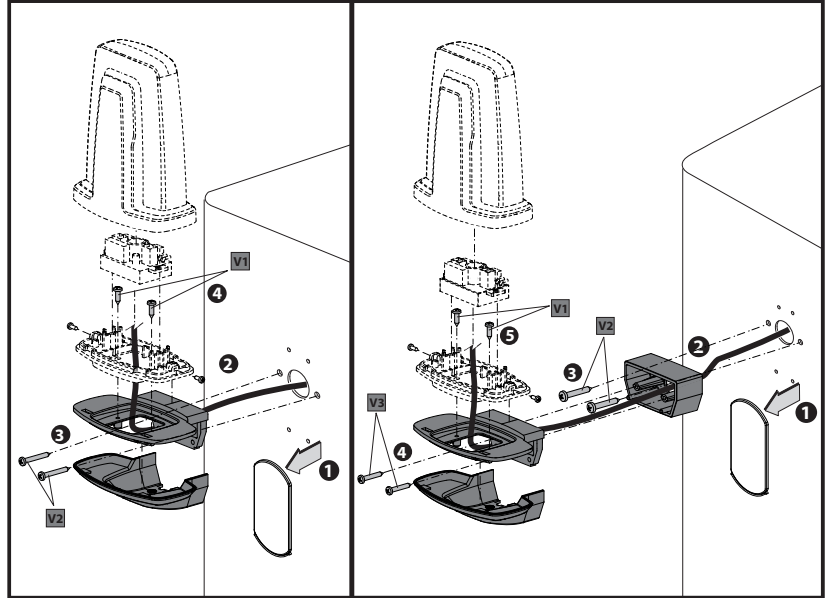
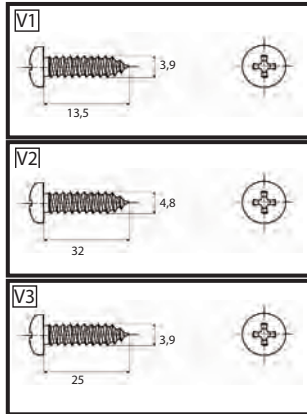
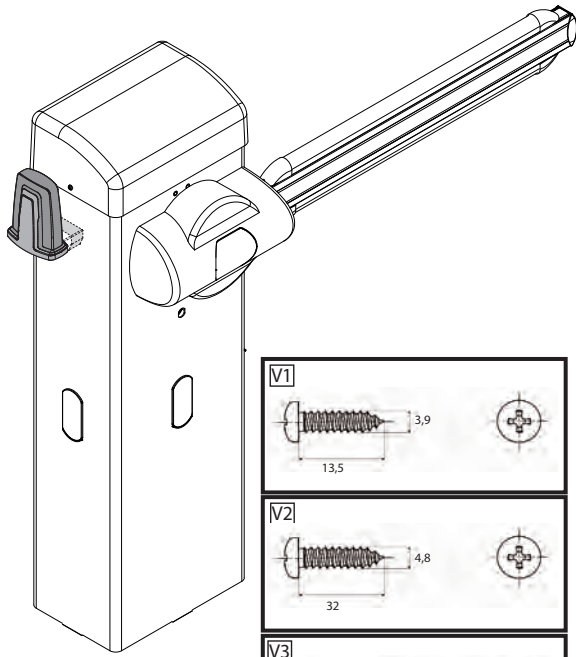


Rimontare il gruppo molla a destra, Refit the right-hand spring assembly, Remontez le groupe ressort à droite, Die Baugruppe neu montieren, Feder rechts, Volver a montar el grupo muelle a la derecha, De veergroep opnieuw rechts monteren.



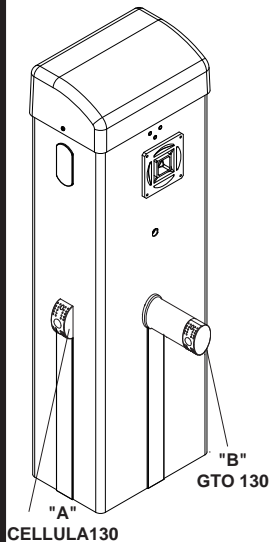
Montaggio lampeggiante, Assembling the flashing light, Montage du clignotant, Montage Blinkleuchte, Montaje luz intermitente, Montage knipperlicht.

AC

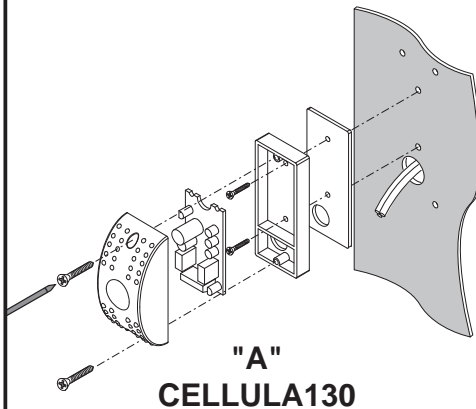


Montaggio Fotocellula Cellula 130 / GTO 130, Assembling Photocell 130/GTO 130, Montage Photocellule Cellula 130 / GTO 130, Montage Fotozelle Cellula 130 / GTO 130, Montaje Fotocélula Cellula 130 / GTO 130, Montage Fotocel Cellula 130 / GTO 130.

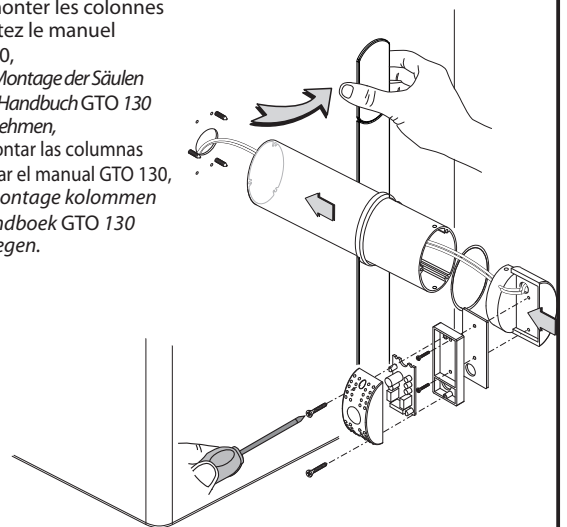
AD

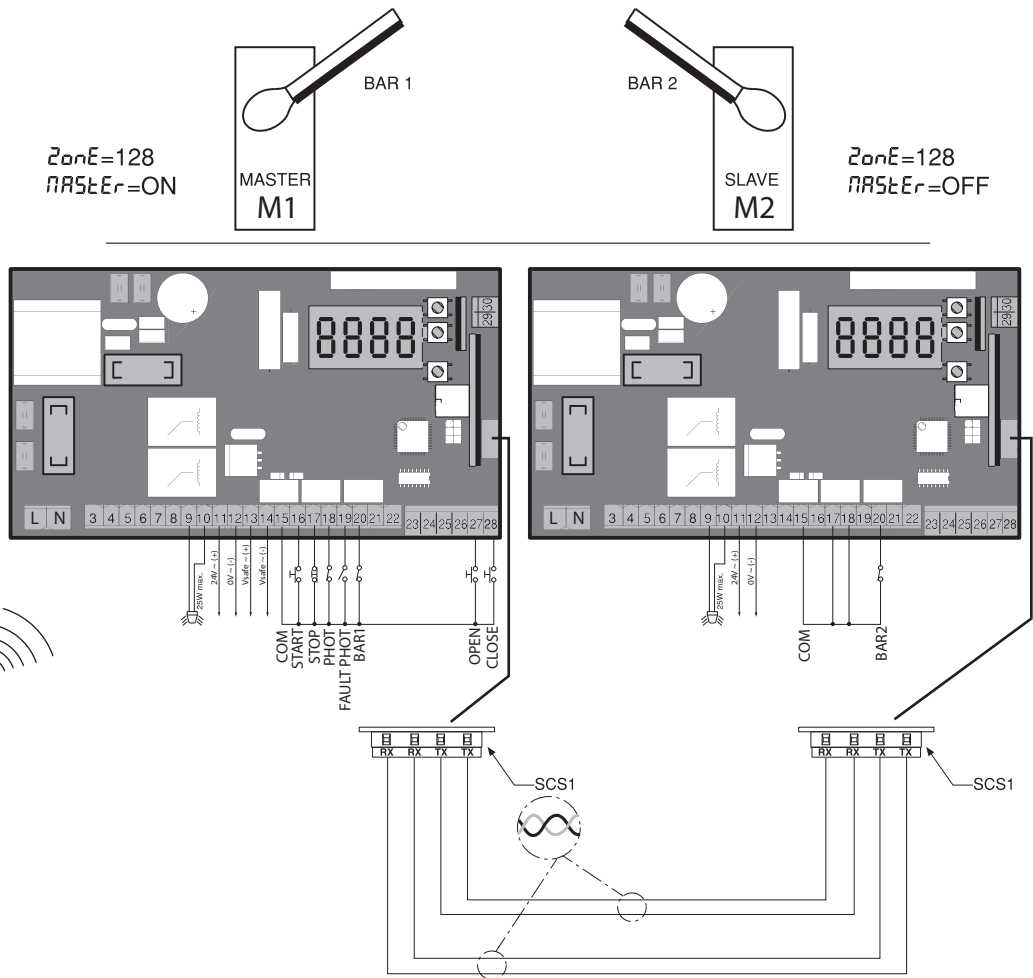
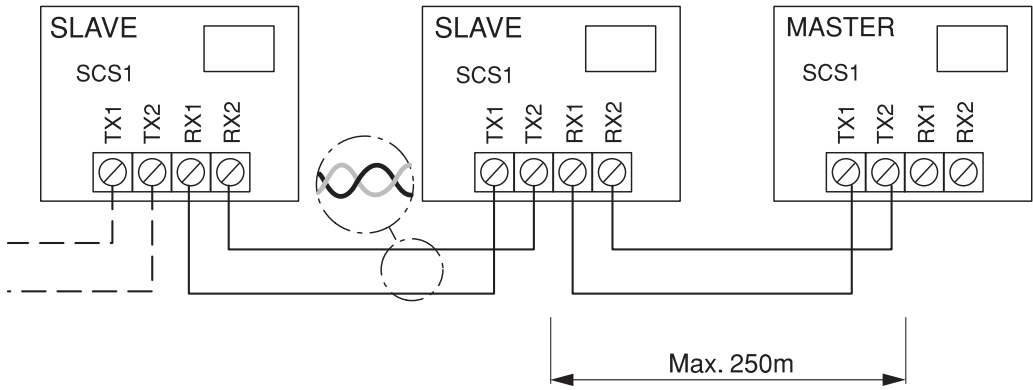


Fare riferimento al manuale Cellula 130,
Refer to PHOTOCELL 130 manual,
Consultez le Manuel CELLULA 130,
Auf das Handbuch CELLULA 130 Bezug nehmen,
Consultar el manual CELLULA 130,
Het handboek CELLULA 130 raadplegen.



Per montaggio colonnine-
fare riferimento al
manuale GTO 130,
Refer to GTO 130 manual
for assembly of stations,
Pour monter les colonnes
consultez le manuel
GTO130,
Für die Montage der Säulen
auf das Handbuch GTO 130
Bezug nehmen,
Para montar las columnas
consultar el manual GTO 130,
Voor montage kolommen
het handboek GTO 130
raadplegen.





ACCESS TO MENUS Fig. 1

LEGENDA

8888

+ ↑

Scroll up

8888

- ↓

Scroll down

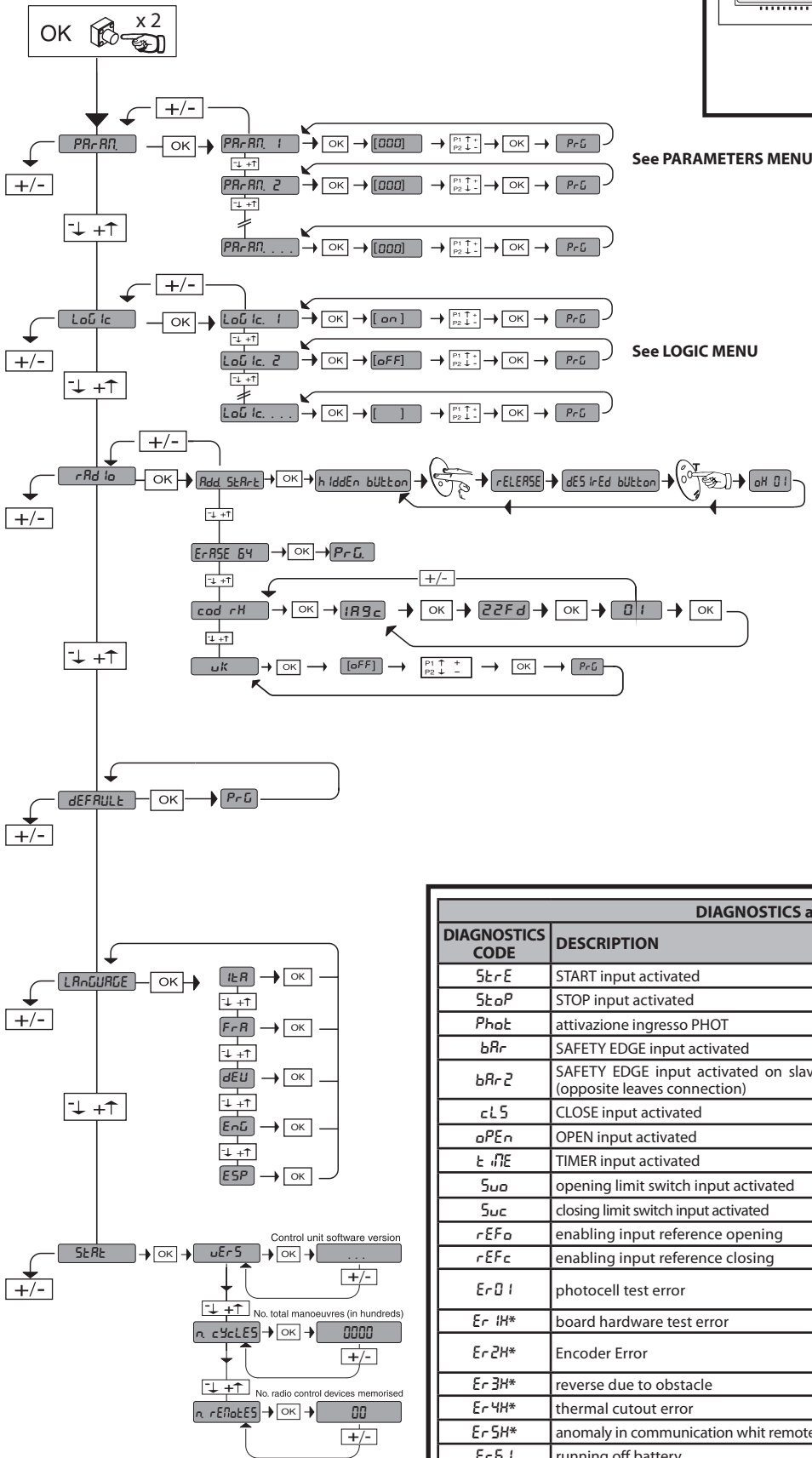
8888

OK ↵

Confirm/Switch on display

+ / -

Exit Menu



See PARAMETERS MENU

See LOGIC MENU

DIAGNOSTICS and WARNINGS		
DIAGNOSTICS CODE	DESCRIPTION	NOTES
StArE	START input activated	
StoP	STOP input activated	
PhoE	attivazione ingresso PHOT	
bRr	SAFETY EDGE input activated	
bRr 2	SAFETY EDGE input activated on slave motor (opposite leaves connection)	
cL5	CLOSE input activated	
oPEn	OPEN input activated	
t iNE	TIMER input activated	
Suo	opening limit switch input activated	
Suc	closing limit switch input activated	
rEFo	enabling input reference opening	
rEFc	enabling input reference closing	
Er 0 i	photocell test error	check photocell connection and/or logic settings
Er iH*	board hardware test error	check connections to motor
Er 2H*	Encoder Error	motor or signal encoder power leads inverted/disconnected
Er 3H*	reverse due to obstacle	check for obstacles in path
Er 4H*	thermal cutout error	Allow motor to cool
Er 5H*	anomaly in communication whit remote devices	check Scs1 serial connections
Er 6 i	running off battery	
Er FH*	limit switch error	check limit switch connections

* H = 0,1,...,9,A,B,C,D,E,F

35.40

- Set torque threshold
- Maximum instantaneous motor torque

INSTALLER WARNINGS

WARNING! Important safety instructions. Carefully read and comply with all the warnings and instructions that come with the product as incorrect installation can cause injury to people and animals and damage to property. The warnings and instructions give important information regarding safety, installation, use and maintenance. Keep hold of instructions so that you can attach them to the technical file and keep them handy for future reference.

GENERAL SAFETY

This product has been designed and built solely for the purpose indicated herein. Uses other than those indicated herein might cause damage to the product and create a hazard.

- The units making up the machine and its installation must meet the requirements of the following European Directives, where applicable: 2004/108/EC, 2006/95/EC, 2006/42/EC, 89/106/EC, 99/05/EC and later amendments. For all countries outside the EEC, it is advisable to comply with the standards mentioned, in addition to any national standards in force, to achieve a good level of safety.
- The Manufacturer of this product (hereinafter referred to as the "Firm") disclaims all responsibility resulting from improper use or any use other than that for which the product has been designed, as indicated herein, as well as for failure to apply Good Practice in the construction of entry systems (doors, gates, etc.) and for deformation that could occur during use.
- Before installing the product, make all structural changes required to produce safety gaps and to provide protection from or isolate all crushing, shearing and dragging hazard areas and danger zones in accordance with the provisions of standards EN 12604 and 12453 or any local installation standards. Check that the existing structure meets the necessary strength and stability requirements.
- Before commencing installation, check the product for damage.
- The Firm is not responsible for failure to apply Good Practice in the construction and maintenance of the doors, gates, etc. to be motorized, or for deformation that might occur during use.
- Make sure the stated temperature range is compatible with the site in which the automated system is due to be installed.
- Do not install this product in an explosive atmosphere: the presence of flammable fumes or gas constitutes a serious safety hazard.
- Disconnect the electricity supply before performing any work on the system. Also disconnect buffer batteries, if any are connected.
- Before connecting the power supply, make sure the product's ratings match the mains ratings and that a suitable residual current circuit breaker and overcurrent protection device have been installed upline from the electrical system. Have the automated system's mains power supply fitted with a switch or omnipolar thermal-magnetic circuit breaker with a contact separation that meets code requirements.
- Make sure that upline from the mains power supply there is a residual current circuit breaker that trips at no more than 0.03A as well as any other equipment required by code.
- Make sure the earth system has been installed correctly: earth all the metal parts belonging to the entry system (doors, gates, etc.) and all parts of the system featuring an earth terminal.
- Installation must be carried out using safety devices and controls that meet standards EN 12978 and EN 12453.
- Impact forces can be reduced by using deformable edges.
- In the event impact forces exceed the values laid down by the relevant standards, apply electro-sensitive or pressure-sensitive devices.
- Apply all safety devices (photocells, safety edges, etc.) required to keep the area free of impact, crushing, dragging and shearing hazards. Bear in mind the standards and directives in force, Good Practice criteria, intended use, the installation environment, the operating logic of the system and forces generated by the automated system.
- Apply all signs required by current code to identify hazardous areas (residual risks). All installations must be visibly identified in compliance with the provisions of standard EN 13241-1.
- Once installation is complete, apply a nameplate featuring the door/gate's data.
- This product cannot be installed on leaves incorporating doors (unless the motor can be activated only when the door is closed).
- If the automated system is installed at a height of less than 2.5 m or is accessible, the electrical and mechanical parts must be suitably protected.
- Install any fixed controls in a position where they will not cause a hazard, away from moving parts. More specifically, hold-to-run controls must be positioned within direct sight of the part being controlled and, unless they are key operated, must be installed at a height of at least 1.5 m and in a place where they cannot be reached by the public.
- Apply at least one warning light (flashing light) in a visible position, and also attach a Warning sign to the structure.
- Attach a label near the operating device, in a permanent fashion, with information on how to operate the automated system's manual release.
- Make sure that, during operation, mechanical risks are avoided or relevant protective measures taken and, more specifically, that nothing can be banged, crushed, caught or cut between the part being operated and surrounding parts.
- Once installation is complete, make sure the motor automation settings are correct and that the safety and release systems are working properly.
- Only use original spare parts for any maintenance or repair work. The Firm disclaims all responsibility for the correct operation and safety of the automated system if parts from other manufacturers are used.
- Do not make any modifications to the automated system's components unless explicitly authorized by the Firm.
- Instruct the system's user on what residual risks may be encountered, on the control systems that have been applied and on how to open the system manually in an emergency. Give the user guide to the end user.
- Dispose of packaging materials (plastic, cardboard, polystyrene, etc.) in accordance with the provisions of the laws in force. Keep nylon bags and polystyrene out of reach of children.

WIRING

- WARNING!** For connection to the mains power supply, use: a multicore cable with a cross-sectional area of at least 5x1.5mm² or 4x1.5mm² when dealing with three-phase power supplies or 3x1.5mm² for single-phase supplies (by way of example, type H05 VV-F cable can be used with a cross-sectional area of 4x1.5mm²). To connect auxiliary equipment, use wires with a cross-sectional area of at least 0.5 mm².
- Only use pushbuttons with a capacity of 10A-250V or more.
 - Wires must be secured with additional fastening near the terminals (for example, using cable clamps) in order to keep live parts well separated from safety extra low voltage parts.
 - During installation, the power cable must be stripped to allow the earth wire to be connected to the relevant terminal, while leaving the live wires as short as possible. The earth wire must be the last to be pulled taut in the event the cable's fastening device comes loose.

WARNING! safety extra low voltage wires must be kept physically separate from low voltage wires.

Only qualified personnel (professional installer) should be allowed to access live parts.

CHECKING THE AUTOMATED SYSTEM AND MAINTENANCE

Before the automated system is finally put into operation, and during maintenance work, perform the following checks meticulously:

- Make sure all components are fastened securely.
- Check starting and stopping operations in the case of manual control.
- Check the logic for normal or personalized operation.
- For sliding gates only: check that the rack and pinion mesh correctly with 2 mm of play along the full length of the rack; keep the track the gate slides on clean and free of debris at all times.
- For sliding gates and doors only: make sure the gate's running track is straight and horizontal and that the wheels are strong enough to take the weight of the gate.
- For cantilever sliding gates only: make sure there is no dipping or swinging during operation.
- For swing gates only: make sure the leaves' axis of rotation is perfectly vertical.
- Check that all safety devices (photocells, safety edges, etc.) are working properly and that the anti-crush safety device is set correctly, making sure that the force of impact measured at the points provided for by standard EN 12445 is lower than the value laid down by standard EN 12453.
- Impact forces can be reduced by using deformable edges.
- Make sure that the emergency operation works, where this feature is provided.
- Check opening and closing operations with the control devices applied.
- Check that electrical connections and cabling are intact, making extra sure that insulating sheaths and cable glands are undamaged.
- While performing maintenance, clean the photocells' optics.
- When the automated system is out of service for any length of time, activate the emergency release (see "EMERGENCY OPERATION" section) so that the operated part is made idle, thus allowing the gate to be opened and closed manually.
- If the power cord is damaged, it must be replaced by the manufacturer or their technical assistance department or other such qualified person to avoid any risk.
- If "D" type devices are installed (as defined by EN12453), connect in unverified mode, foresee mandatory maintenance at least every six months

WARNING!

Remember that the drive is designed to make the gate/door easier to use and will not solve problems as a result of defective or poorly performed installation or lack of maintenance

SCRAPPING

Materials must be disposed of in accordance with the regulations in force. There are no particular hazards or risks involved in scrapping the automated system. For the purpose of recycling, it is best to separate dismantled parts into like materials (electrical parts - copper - aluminium - plastic - etc.).

DISMANTLING

If the automated system is being dismantled in order to be reassembled at another site, you are required to:

- Cut off the power and disconnect the whole electrical system.
- Remove the actuator from the base it is mounted on.
- Remove all the installation's components.
- See to the replacement of any components that cannot be removed or happen to be damaged.

Anything that is not explicitly provided for in the installation manual is not allowed. The operator's proper operation can only be guaranteed if the information given is complied with. The Firm shall not be answerable for damage caused by failure to comply with the instructions featured herein.

While we will not alter the product's essential features, the Firm reserves the right, at any time, to make those changes deemed opportune to improve the product from a technical, design or commercial point of view, and will not be required to update this publication accordingly.

2) GENERAL OUTLINE

Compact electromechanical barrier suitable for limiting private areas, parkings, access areas for vehicles only. Available for passageways from 3 to 5 metres. Adjustable electronic limit switches, they guarantee correct boom stopping position.

The emergency release device for manual manoeuvre is controlled by a personalised key lock.

The actuator is always supplied for left-hand side fitting. However, when necessary, the opening direction can be reversed by means of simple operations.

The CBO mod. foundation base (on request) makes barrier installation easier. Appropriate fittings make it easy to install accessories.

The **LIBRA-C-G/LIBRA-C-GS** control panel is supplied by the manufacturer with standard setting. Any change must be set by means of the incorporated display or by means of the universal programmer.

3) TECHNICAL SPECIFICATIONS

MOTOR	
Power supply	230V±10% 50Hz(*)
Power absorbed	300W (GIOTTO S BT 30/ GIOTTO S BT 50)
	250W (GIOTTO BT 30/GIOTTO BT 50)
Internal lubrication	permanent grease
Max torque	280 Nm (GIOTTO S BT 30)
	380 Nm (GIOTTO S BT 50)
	250 Nm (GIOTTO BT 30)
	350 Nm (GIOTTO BT 50)
Opening time	2,5s (GIOTTO S BT 30)
	4s (GIOTTO S BT 50 / (GIOTTO BT 30)
	5s (GIOTTO BT 50)
Boom length	3 m (GIOTTO S BT 30/ GIOTTO BT 30)
	5 m (GIOTTO S BT 50/ GIOTTO BT 50)
	6 m [(GIOTTO BT 50/ GIOTTO S BT 50) + ATG6]
Manual mechanical release	customised key
Type of boom	rectangular
Limit devices	electrical incorporated and electronically adjustable
Type of use	intensive (GIOTTO S BT 30/ GIOTTO S BT 50)
	semi intensive (GIOTTO BT 30/ GIOTTO BT 50)
Working temperature	from -20°C to +55°C
Degree of protection	IP 54
Operator weight (without boom)	41 Kg (GIOTTO S BT 30 / (GIOTTO BT 50)
	42 Kg (GIOTTO S BT 50)
	40 Kg (GIOTTO BT 30)
Dimensions	see fig. A
CONTROL UNIT	
Mains/low voltage insulation	> 2MOhm 500V---
Dielectric strength	mains/low voltage 3750V~ for 1 minute
Supply to accessories	24V~ (180 mA max absorption)
Barrie-open warning light	24V~ 3W max
Blinker	24V~ 25W max
Fuses	see Fig. G
N° of combinations	4 billion
Built-in Rolling-Code radio-receiver	frequency 433.92MHz
Max. n° of remotes that can be memorized	63
Setting of parameters and options	Universal handheld programmer/LCD display

(*)= special power supply voltages on request.

Usable transmitter versions:

All **ROLLING CODE** transmitters compatible with: 

4.1) FOUNDATION PLATE (Fig. B1).

4.2) FASTENING ANCHOR BOLTS (Fig. B2).

5) FITTING OF THE ACTUATOR

WARNING! The barrier must be exclusively used for vehicles to drive through. Pedestrians must not walk within the operator manoeuvring area. An appropriate pedestrian passageway must be provided for.

The passageway must be suitably indicated by means of the warning signs illustrated in Fig.A.

WARNING: before opening the door, the spring must be unloaded

(vertical boom). The door of the box must be facing towards the inside of the property. When you stand in the middle of the passageway, facing outwards, if the box is on your left, the barrier is left-hand fitted, if the box is on your right, the barrier is right-hand fitted.

The actuator is always supplied for left-hand side fitting.

6) Left-hand fitting (Fig. A, B, C, D).

7) Right-hand fitting (Fig. AA)

- Carry out bar balancing.
- Set the Direction Reversal logic to ON in the control panel.

Warning: the Direction Reversal logic must be configured to OFF for left-hand fitted barriers, and to ON for right-hand fitted barriers. Otherwise, the limit devices will not operate or an encoder direction error will be displayed.

8) BAR BALANCING (Fig. F).

9) OPTIONAL ACCESSORIES (Fig.E)

- Foundation base CBO
- Photocell 130 fastening post kit KIT GTO 130
- Fixed end rest for boom FAF
- Folding leg to support boom GA
- Cushioned folding leg to support boom GAMA
- Skirt ready assembled on boom SB
- Safety edge BIR
- Lights kit for booms between 3m and 4.5m long KIT GTO LIGHT 3
- Lights kit for booms 5m or 6m long KIT GTO LIGHT 5
- Top or bottom boom covering profile PCA
- ELL ART Articulated Boom
- KIT BAT
- RMM
- THERMO
- GTO ATG-GTO AQQ
- ATG 3-ATG 5 -ATG 6
- AQQ 3-AQQ 5

10) Accessories: boom length limits and balancing (Fig. E1).

For further information about the installation and use of accessories, refer to the respective instruction manuals.

11) Assembling the flashing light RADIUS B LTA24R1/ RADIUS B LTA24R2. (FIG. AC)

- Complete assembly and wiring as directed in instructions provided for RADIUS B LTA24R1/ RADIUS B LTA24R2.

12) Assembling Photocell 130 / GTO 130 (FIG. AD).

13) ELECTRICAL INSTALLATION SET-UP

WARNING: before opening the door, the spring must be unloaded (vertical boom). Set up the electrical installation (fig. A) with reference to the current regulations for electrical installations. Keep the mains power supply con-nections definitely separate from the service connections (photocells, electric edges, control devices etc.).

Fig. A shows the number of connections and section for a 100m length of power supply cables; for greater lengths, calculate the section for the true automation load. When the auxiliary connections exceed 50 metre lengths or go through critical disturbance areas, it is recommended to decouple the control and safety devices by means of suitable relays.

The main automation components are (fig. A):

- I) Type-approved adequately rated omnipolar circuit-breaker with at least 3,5 mm contact opening, provided with protection against overloads and short circuits, suitable for cutting out automation from the mains. Place, if not already installed, a type-approved differential switch with a 0.03A threshold just before the automation system.
- QR) Control panel and incorporated receiver.
- S) Key selector.
- AL) Blinker
- M) Actuators.
- A) Bar.
- F) Rest fork.
- CS) Electric edge.
- Ft,Fr) Pair of photocells.
- CF) Photocell post.
- T) 1-2-4 channel transmitter.
- RMM) Inductive metal mass detector (Fig. C1).
- LOOP) Mass detector loops.

14) CONNECTION (Fig. G)

Once suitable electric cables have been run through the raceways and the automated device's various components have been fastened at the predetermined points, the next step is to connect them as directed and illustrated in the diagrams contained in the relevant instruction manuals. Connect the live, neutral and earth wire (compulsory). The mains cable must be clamped in the relevant cable gland, and the accessories' wires in the cable gland, while the earth wire with the yellow/green-coloured

sheath must be connected in the relevant terminal.

WARNING: The electrical connections must be carried out workmanlike by qualified experienced personnel, in conformity with all the current standards and with the use of appropriate materials.

Lay out the electrical installation with reference to the current electrical standards.

Keep the mains supply connections clearly separated from the service connections.

In the initial section of the electrical installation, fit a circuit breaker with a contact opening distance equal to or greater than 3,5 mm, provided with magnetothermal protection and a differential switch having adequate capacity for the appliance consumption. For the wiring, only use cables conforming to the harmonised or national standards, having a cross section corresponding to the initial protection, the appliance consumption and the installation conditions, for example a 3x1.5 sq mm (H 05 VV-F) cable.

TERMINAL	DESCRIPTION
1-2	Control for cooling fan 230V~ ±10% (1=L) (2=N)
3-4	Not used
6-7	Motor connections
15-5	Motor connections, closing reference
15-8	Motor connections, opening reference
9-10	Flashing light (24 V~, 25W)
11-12	Accessories power supply: 24 V operation with mains power on. 24 V (11+,12-) operation with no mains power and optional buffer battery kit.
13-14	Safety device power supply output (photocell transmitter). N.B.: output active only during operating cycle. 24 V Vsafe operation with mains power on. 24 V (13+,14-) Vsafe operation with no mains power and optional buffer battery kit.
15-16	START button (N.O.) This option can be set via the "logic menu". Start - operation according to 2-3-4 step logic.
15-17	STOP input (N.C.) The command stops movement. If not used, leave jumper inserted.
15-18	PHOTOCELL input (N.C.) Operation according to photocell during opening logic. If not used, leave jumper inserted.
19	Safety device test input FAULT - PHOT (N.O.).
15-20	SAFETY EDGE input BAR (N.C.) The command reverses movement during closing and stops movement during opening. If not used, leave jumper inserted.
21-22	Barrier-open warning light output (N.O. contact, 24V~/3W max) or, in alternative, alarm output (see Table "B", Alarm SCA) and Connection To Parky Car-Park Management System
23-24-25-26	Encoder inputs
15-27	OPEN/ TIMER control button (N.O.) Open - Gate opened with this command. Timer - If the contact is closed, the leaves open and stay open until the contact is opened. If the contact connected is open, the leaves close and are ready for normal operation.
15-28	Close button CLOSE (N.O.) The command causes the leaf to close.

15) SAFETY DEVICES FIG. H

Note: only use receiving safety devices with free changeover contact.

15.1) NON-TESTED DEVICES FIG. H1

15.2) TESTED DEVICES FIG. H2, H3

16) ADJUSTMENTS


<p>RECOMMENDED ADJUSTMENT SEQUENCE: Adjusting the limit switches Fig.I (See reference section) Programming remote controls Setting of parameters/logic, where necessary</p>

17) PARAMETERS MENU (PAr Rr)
(TABLE "A" PARAMETERS)

18) LOGIC MENU (L o Ī ĩ c)

(TABLE "B" LOGIC)

19) RADIO MENU (r Rd ĩ d)

Logic	Description
Add Start	Add Start Key associates the desired key with the Start command
Erase	Erase List  WARNING! Erases all memorized remote controls from the receiver's memory.
code	Read receiver code Displays receiver code required for cloning remote controls.
uk	ON = Enables remote programming of cards via a previously memorized W LINK transmitter. It remains enabled for 3 minutes from the time the W LINK remote control is last pressed. OFF =W LINK programming disabled.

- IMPORTANT NOTE: THE FIRST TRANSMITTER MEMORIZED MUST BE IDENTIFIED BY ATTACHING THE KEY LABEL (MASTER).

In the event of manual programming, the first transmitter assigns the RECEIVER'S KEY CODE: this code is required to subsequently clone the radio transmitters.

The Clonix built-in on-board receiver also has a number of important advanced features:

- Cloning of master transmitter (rolling code or fixed code)
- Cloning to replace transmitters already entered in receiver
- Transmitter database management
- Receiver community management

To use these advanced features, refer to the universal handheld programmer's instructions and to the CLONIX Programming Guide, which come with the universal handheld programmer device.

20) DEFAULT MENU (dEFRAUL Ē)

Restores the controller's default factory settings.

21) LANGUAGE MENU (L ANĒURĒGE)

Used to set the programmer's language on the display.

22) STATISTICS MENU

Shows:

- board version
- number of total manoeuvres made by the automation
- number of remote controls saved to the built-in receiver

23) CONNECTION TO PARKY CAR-PARK MANAGEMENT SYSTEM

The board can be configured in order to make an output available for controlling the barrier status. When the SCA Alarm logic is disabled (OFF) and the Alarm Time parameter is set to 0 s, the SCA contact (21-22) is configured as follows (Fig. G):

- contact **closed** between terminals **21-22** with the barrier **lowered**
- contact **open** between terminals **21-22** with the barrier **lifted**

23.1) SERIAL CONNECTION USING SCS1 BOARD (Fig. AE)

The **LIBRA-C-G/LIBRA-C-GS** control panel allows several automation units (SCS1) to be connected in a centralised way by means of appropriate serial inputs and outputs. This makes it possible to use one single command to open and close all the automation units connected.

Following the diagram in Fig. AE, proceed to connecting all the **LIBRA-C-G/LIBRA-C-GS** control panels, exclusively using a telephone-type line. Should a telephone cable with more than one pair be needed, it is indispensable to use wires from the same pair.

The length of the telephone cable between one appliance and the next must not exceed 250 m.

At this point, each of the **LIBRA-C-G/LIBRA-C-GS** control panels must be appropriately configured, by setting a MASTER unit first of all, which will have control over all the others, to be necessarily set as SLAVE (see logic menu).

Also set the Zone number (see parameter menu) between 0 and 127.

The zone number allows you to create groups of automation units, each one answering to the Zone Master unit. **Each zone can only be assigned one Master unit, the Master unit in zone 0 also controls the Slave units in the other zones. WARNING: the control panel set as the master must be the first in the series.**

23.2) Opposite Barriers (Fig. AF)

By means of a serial connection, it is also possible to obtain centralised control of two opposite barriers/gates.

In this case, the Master M1 control panel will simultaneously manage closing and opening for the Slave M2 control panel.

SETTING REQUIRED FOR OPERATION:

- MASTER board: ZonE=128, rRStEr=ON
- SLAVE board: ZonE=128, rRStEr=OFF

WIRING REQUIRED FOR OPERATION:

- The MASTER and SLAVE control units are interconnected through the

- 4 wires (RX/TX) for the SCS1 interface boards;
- All the activation controls, as well as the remote controls must refer to the MASTER board;
 - All the photocells must be connected to the MASTER control panel;
 - The safety edges of the MASTER leaf must be connected to the MASTER control unit;
 - The safety edges of the SLAVE leaf must be connected to the SLAVE control unit.

24) LIMIT SWITCH SETTING

WARNING: before opening the door, the spring must be unloaded (vertical boom). The barrier is provided with programmable electronic limit switches and mechanical stop devices. There must be a rotation margin (about 1°) on closing and opening between the electrical limit switches and mechanical stop devices (Fig. J). To evaluate correctly the values set, you are advised to carry out a few complete consecutive manoeuvres.

25) EMERGENCY RELEASE (Fig. Y)

WARNING! When an actuator without bar needs to be released, ensure that the balancing spring is not compressed (bar in the opening position).

26) MALFUNCTION: CAUSES and REMEDIES

26.1) The bar does not open. The motor does not turn.

WARNING: before opening the door, the spring must be unloaded

(vertical boom).

- 1) Check that the photocells are not dirty, or engaged, or not aligned. Proceed accordingly. Check the electric edge.
- 2) Check the correct connection of the drive motor and capacitor.
- 3) Check that the electronic appliance is correctly supplied. Check the integrity of the fuses.
- 4) Use the control unit self-diagnosis (see "Acces to Menus"), to check whether the functions are correct. Identify any possible cause for the fault. If self-diagnosis indicates that a start command persists, check that there are no radio transmitters, start buttons or other control devices keeping the start contact activated (closed).
- 5) If the control unit does not work, it must be replaced.
- 6) Check the activation of the reference microswitches by checking the messages appearing on the control panel display.
- 7) Lubrificate the guide-ressort tirants in case of rumors or vibrations.

26.2) The bar does not open. The motor turns but there is no movement.

- 1) The manual release was left engaged. Reset the motorised operation.
- 2) If the release is in the motorised operation position, check the gearmotor for integrity.

TABLE "A" - PARAMETERS MENU - (PPr-Rf)

PARAMETERS	min.	max.	default	Definition	Description
t c R	0	180	10	Automatic Closing Time	Automatic Closing Time [s] Set the numerical value of the automatic closing time.
o P. t S L o u	40	99	75	Opening motor torque	Opening torque [%] Sets sensitivity to obstacles during opening (1=max., 99=min.)
c L S t S L o u	40	99	75	Closing motor torque	Closing torque [%] Sets sensitivity to obstacles during closing (1=max., 99=min.)
o P. S P E E d	15	99	99	Speed during opening	Running speed during opening [%] Sets the running speed that the barrier must reach during opening, as a percentage of the maximum speed the actuator can reach.
c L S P E E d	15	99	99	Speed during closing	Running speed during closing [%] Sets the running speed that the barrier must reach during closing, as a percentage of the maximum speed the actuator can reach.
R L R r n t n E	0	240	30	Alarm time	Alarm time [%] In the case of obstacle detection or photocell engagement for a period exceeding the time set (ranging from 10 s to 240 s), the SCA contact closes. The contact is subsequently opened by the STOP command or by triggering of the closing limit switch. Only active when the SCA Alarm logic is set to OFF. If set to 0 s, the SCA contact becomes a connection to the Parky system (see Paragraph Connection To Parky Car-Park Management System).
b r A H E	1	10	2	Braking	Braking [%] Set the braking rate to be applied while the barrier is stopping.
Z o n E	0	128	0	Zone	Zone [] Set the zone number between a minimum value of 0 and a maximum value of 128.
o P E n. c R L i b. (Special par. 1)*	0	100	80	Opening value calibration	Opening value calibration [%] Set the reference value from 0,0 to 100,0 for the required opening position (see Paragraph Limit Switch Setting).
c L o S. c R L i b. (Special par. 2)*	0	100	25	Closing value calibration	Closing value calibration [%] Set the reference value from 0,0 to 100,0 for the required closing position (see Paragraph Limit Switch Setting).
R c c E L. (Special par. 6)*	1	10	3	Acceleration	Acceleration [%] Set the acceleration to be applied at the beginning of each movement.
d i S t. d E c E L. (Special par. 18)*	0	99	70	Slow-down distance	Slow-down distance [%] Set the distance the barrier needs to go from high to low speed in percentage to total travel.

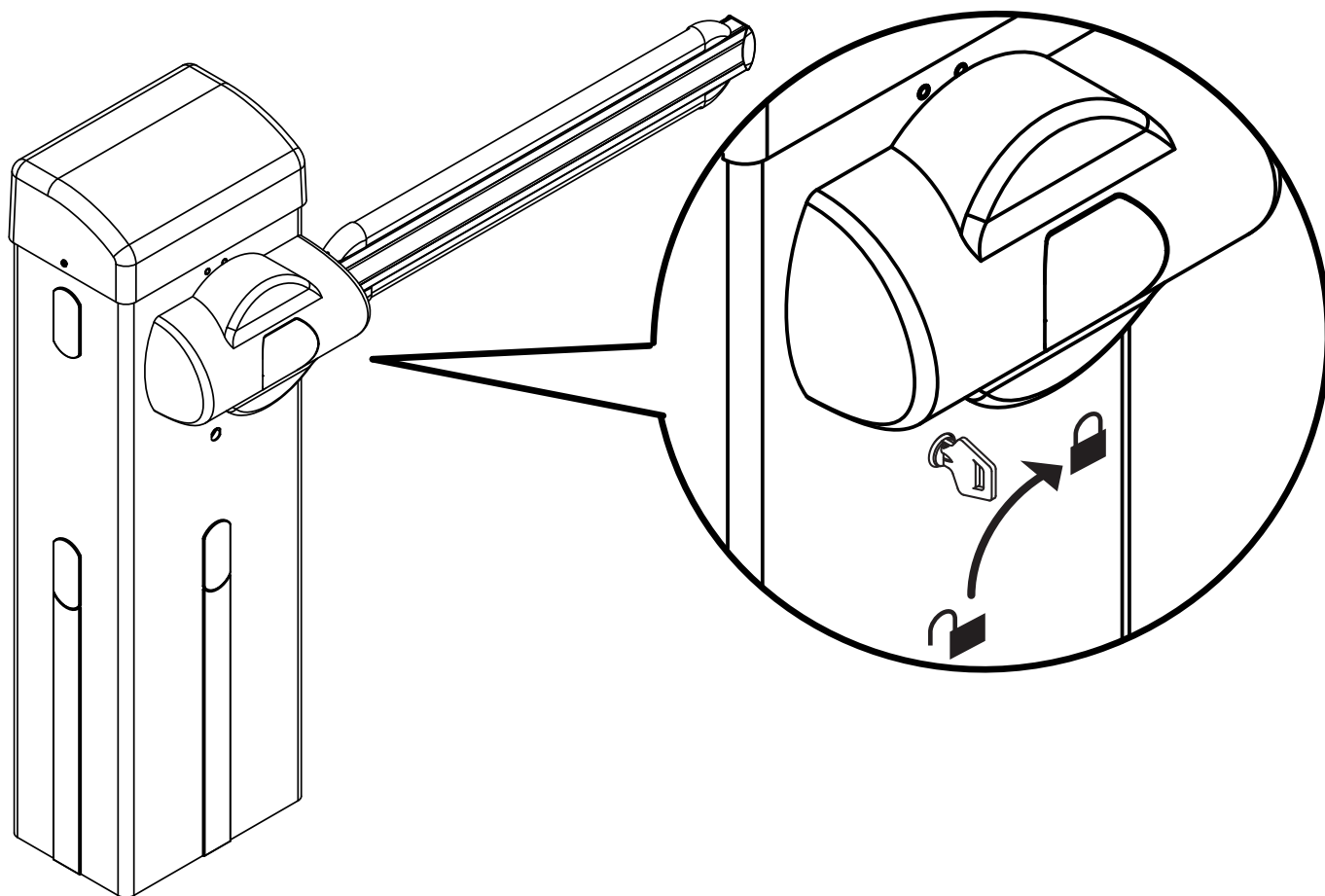
*=Refer for universal handheld programmer.

TABLE B: LOGIC MENU (Logic)

Logic	Default	Definition	Cross out setting used	Description																				
tCR	ON	Automatic Closing Time	ON	Switches automatic closing on.																				
			OFF	Switches automatic closing off.																				
iBL OPEN	ON	Block Pulses	ON	The start pulse has no effect during opening.																				
			OFF	The start pulse has effect during opening or closing.																				
iBL tCR	OFF	Impulse lock TCA	ON	The Start impulse has no effect during the TCA dwell period.																				
			OFF	The Start impulse becomes effective during the TCA dwell period.																				
2 STEP	OFF	2 step	ON	Enables the 2-step logic (prevails over the "3-step logic").																				
			OFF	Disables the 2-step logic, activating the 4-step logic if the "3-step logic" is OFF.																				
3 STEP	ON	3 step	ON	Enables the 3-step logic (if the "2-step logic" is OFF).																				
			OFF	Disables the 3-step logic, activating the 4-step logic if the "2-step logic" is OFF.																				
<i>Response to the START impulse</i>																								
<table border="1" style="width: 100%; border-collapse: collapse;"> <thead> <tr> <th style="width: 15%;">Barrier</th> <th style="width: 15%;">2 steps</th> <th style="width: 15%;">3 steps</th> <th style="width: 15%;">4 steps</th> </tr> </thead> <tbody> <tr> <td>closed</td> <td rowspan="2">opens</td> <td rowspan="2">opens</td> <td>opens</td> </tr> <tr> <td>on closing</td> <td>stop</td> </tr> <tr> <td>open</td> <td rowspan="2">closes</td> <td rowspan="2">closes</td> <td>stops + TCA</td> </tr> <tr> <td>on opening</td> <td>stop + TCA</td> </tr> <tr> <td>after stop</td> <td>opens</td> <td>opens</td> <td>opens</td> </tr> </tbody> </table>					Barrier	2 steps	3 steps	4 steps	closed	opens	opens	opens	on closing	stop	open	closes	closes	stops + TCA	on opening	stop + TCA	after stop	opens	opens	opens
Barrier	2 steps	3 steps	4 steps																					
closed	opens	opens	opens																					
on closing			stop																					
open	closes	closes	stops + TCA																					
on opening			stop + TCA																					
after stop	opens	opens	opens																					
PREAL	OFF	Pre-alarm	ON	The flashing light comes on approx. 3 seconds before the motors start.																				
			OFF	The flashing light comes on at the same time as the motors start.																				
hold to run	OFF	Deadman	ON	Hold-to-run operation: the manoeuvre continues as long as the OPEN and CLOSE control keys are kept pressed. The radio transmitter cannot be used.																				
			OFF	Normal impulse operation.																				
PhotocOPEN	ON	Photocells during opening	ON	When beam is broken, operation of the photocell is switched off during opening. During closing, movement is reversed immediately.																				
			OFF	When beam is broken, photocells are active during both opening and closing. When beam is broken during closing, movement is reversed only once the photocell is cleared.																				
FAST CLS	OFF	Rapid closing	ON	Closes barrier after photocell disengagement, before waiting for the end of the TCA (automatic closing time) set.																				
			OFF	Command not entered.																				
tEST Phot	OFF	Photocell test	ON	Switches photocell testing on																				
			OFF	Switches photocell testing off If disabled (OFF), it inhibits the photocell testing function, enabling connection of devices not equipped with supplementary test contacts.																				
MASTER	OFF	Master/slave	ON	Control panel is set up as the Master unit in a centralized serial connection system.																				
			OFF	Control panel is set up as a Slave unit in a centralized serial connection system.																				
Fixed code	OFF	Fixed code	ON	Receiver is configured for operation in fixed-code mode.																				
			OFF	Receiver is configured for operation in rolling-code mode.																				
Radio Prog	ON	Remote control programming	ON	Enables wireless memorizing of transmitters: 1- Press in sequence the hidden key (P1) and normal key (T1-T2-T3-T4) of a transmitter that has already been memorized in standard mode via the radio menu. 2- Press within 10 secs. the hidden key (P1) and normal key (T1-T2-T3-T4) of a transmitter to be memorized. The receiver exits programming mode after 10 secs.: you can use this time to enter other new transmitters. This mode does not require access to the control panel. IMPORTANT: Enables the automatic addition of new transmitters, clones and replays.																				
			OFF	Disables wireless memorizing of transmitters. Transmitters are memorized only using the relevant Radio menu. IMPORTANT: Disables the automatic addition of new transmitters, clones and replays.																				
ALARIN SCA	ON	SCA Alarm	ON	The SCA contact (terminals 21-22) behaves as follows: - with barrier open and on opening: contact closed (warning light on) - with barrier closed: contact open: (warning light off) - on closing: intermittent contact (blinking)																				
			OFF	The SCA contact closes according to the modes set by the Alarm Time parameter.																				
CHANGE Mot.	OFF	Reversing motion	ON	Change this parameter if the opening direction needs to be changed																				
			OFF	Standard operating mode.																				
OPEN-tIMER (special dip 2*)	OFF	TIMER su OPEN	ON	Input between terminals 15-27 works as TIMER.																				
			OFF	Input between terminals 15-27 works as OPEN.																				

*=Refer for universal handheld programmer.

Fig. Y



MANUALE - MANUAL - MANUEL
 BEDIENUNGSANLEITUNG - MANUAL - HANDMATIG



AUTOMATICO - AUTOMATIC - AUTOMATIQUE
 AUTOMATIK - AUTOMÁTICO - AUTOMATISCH

AVVERTENZE PER L'UTILIZZATORE (I)

ATTENZIONE! Importanti istruzioni di sicurezza. Leggere e seguire attentamente le Avvertenze e le Istruzioni che accompagnano il prodotto poiché un uso improprio può causare danni a persone, animali o cose. Conservare le istruzioni per consultazioni future e trasmetterle ad eventuali subentranti nell'uso dell'impianto.

Questo prodotto dovrà essere destinato solo all'uso per il quale è stato espressamente installato. Ogni altro uso è da considerarsi improprio e quindi pericoloso. Il costruttore non può essere considerato responsabile per eventuali danni causati da usi impropri, erronei e irragionevoli.

SICUREZZA GENERALE

Nel ringraziarVi per la preferenza accordata a questo prodotto, la Ditta è certa che da esso otterrete le prestazioni necessarie al Vostro uso.

Questo prodotto risponde alle norme riconosciute della tecnica e della disposizioni relative alla sicurezza se correttamente installato da personale qualificato ed esperto (installatore professionale). L'automazione, se installata ed utilizzata correttamente, soddisfa gli standard di sicurezza nell'uso. Tuttavia è opportuno osservare alcune regole di comportamento per evitare inconvenienti accidentali:

- Tenere bambini, persone e cose fuori dal raggio d'azione dell'automazione, in particolare durante il movimento.
- Non permettere a bambini di giocare o sostare nel raggio di azione dell'automazione.
- Questa automazione non è destinata all'uso da parte di bambini o da parte di persone con ridotte capacità mentali, fisiche e sensoriali, o persone che mancano di conoscenze adeguate a meno che esse non abbiano potuto beneficiare, attraverso l'intermediazione di una persona responsabile della loro sicurezza, di una sorveglianza o di istruzioni riguardanti l'uso dell'apparecchio.
- I bambini devono essere sorvegliati per sincerarsi che non giochino con l'apparecchio. Non permettere ai bambini di giocare con i controlli fissi. Tenere i telecomandi lontani dai bambini.
- Evitare di operare in prossimità delle cerniere o organi meccanici in movimento.
- Non contrastare il movimento dell'anta e non tentare di aprire manualmente la porta se non è stato sbloccato l'attuatore con l'apposita manopola di sblocco.
- Non entrare nel raggio di azione della porta o cancello motorizzati durante il loro movimento.
- Non lasciare radiocomandi o altri dispositivi di comando alla portata dei bambini onde evitare azionamenti involontari.
- L'attivazione dello sblocco manuale potrebbe causare movimenti incontrollati della porta se in presenza di guasti meccanici o di condizioni di squilibrio.
- In caso di apritapparelle: sorvegliare la tapparella in movimento e tenere lontano le persone finché non è completamente chiusa. Porre cura quando si aziona lo sblocco se presente, poiché una tapparella aperta potrebbe cadere rapidamente in presenza di usura o rotture.
- La rottura o l'usura di organi meccanici della porta (parte guidata), quali ad esempio cavi, molle, supporti, cardini, guide... potrebbe generare pericoli. Far controllare periodicamente l'impianto da personale qualificato ed esperto (installatore professionale) secondo quanto indicato dall'installatore o dal costruttore della porta.
- Per ogni operazione di pulizia esterna, togliere l'alimentazione di rete.
- Tenere pulite le ottiche delle fotocellule ed i dispositivi di segnalazione luminosa. Controllare che rami ed arbusti non disturbino i dispositivi di sicurezza.
- Non utilizzare l'automatismo se necessita di interventi di riparazione. In caso di guasto o di malfunzionamento dell'automazione, togliere l'alimentazione di rete sull'automazione, astenersi da qualsiasi tentativo di riparazione o intervento diretto e rivolgersi solo a personale qualificato ed esperto (installatore professionale) per la necessaria riparazione o manutenzione. Per consentire l'accesso, attivare lo sblocco di emergenza (se presente).
- Per qualsiasi intervento diretto sull'automazione o sull'impianto non previsto dal presente manuale, avvalersi di personale qualificato ed esperto (installatore professionale).
- Con frequenza almeno annuale far verificare l'integrità e il corretto funzionamento dell'automazione da personale qualificato ed esperto (installatore professionale), in particolare di tutti i dispositivi di sicurezza.
- Gli interventi d'installazione, manutenzione e riparazione devono essere documentati e la relativa documentazione tenuta a disposizione dell'utilizzatore.
- Il mancato rispetto di quanto sopra può creare situazioni di pericolo.

Tutto quello che non è espressamente previsto nel manuale d'uso, non è permesso. Il buon funzionamento dell'operatore è garantito solo se vengono rispettate le prescrizioni riportate in questo manuale. La Ditta non risponde dei danni causati dall'inosservanza delle indicazioni riportate in questo manuale.

Lasciando inalterate le caratteristiche essenziali del prodotto, la Ditta si riserva di apportare in qualunque momento le modifiche che essa ritiene convenienti per migliorare tecnicamente, costruttivamente e commercialmente il prodotto, senza impegnarsi ad aggiornare la presente pubblicazione.

USER WARNINGS (GB)

WARNING! Important safety instructions. Carefully read and comply with the Warnings and Instructions that come with the product as improper use can cause injury to people and animals and damage to property. Keep the instructions for future reference and hand them on to any new users.

This product is meant to be used only for the purpose for which it was explicitly installed. Any other use constitutes improper use and, consequently, is hazardous. The manufacturer cannot be held liable for any damage as a result of improper, incorrect or unreasonable use.

GENERAL SAFETY

Thank you for choosing this product. The Firm is confident that its performance will meet your operating needs.

This product meets recognized technical standards and complies with safety provisions when installed correctly by qualified, expert personnel (professional installer).

If installed and used correctly, the automated system will meet operating safety standards. Nonetheless, it is advisable to observe certain rules of behaviour so that accidental problems can be avoided:

- Keep adults, children and property out of range of the automated system, especially while it is moving.
- Do not allow children to play or stand within range of the automated system.
- This automated system is not meant for use by children or by people with impaired mental, physical or sensory capacities, or people who do not have suitable knowledge, unless a person who is responsible for their safety provides them with necessary supervision or instructions on how to use the device.
- Children must be supervised to ensure they do not play with the device. Do not allow children to play with the fixed controls. Keep remote controls out of reach of children.
- Do not work near hinges or moving mechanical parts.
- Do not hinder the leaf's movement and do not attempt to open the door manually unless the actuator has been released with the relevant release knob.
- Keep out of range of the motorized door or gate while they are moving.
- Keep remote controls or other control devices out of reach of children in order to avoid the automated system being operated inadvertently.
- The manual release's activation could result in uncontrolled door movements if there are mechanical faults or loss of balance.
- When using roller shutter openers: keep an eye on the roller shutter while it is moving and keep people away until it has closed completely. Exercise care when activating the release, if such a device is fitted, as an open shutter could drop quickly in the event of wear or breakage.
- The breakage or wear of any mechanical parts of the door (operated part), such as cables, springs, supports, hinges, guides... may generate a hazard. Have the system checked by qualified, expert personnel (professional installer) at regular intervals according to the instructions issued by the installer or manufacturer of the door.

- When cleaning the outside, always cut off mains power.

- Keep the photocells' optics and illuminating indicator devices clean. Check that no branches or shrubs interfere with the safety devices.
- Do not use the automated system if it is in need of repair. In the event the automated system breaks down or malfunctions, cut off mains power to the system; do not attempt to repair or perform any other work to rectify the fault yourself and instead call in qualified, expert personnel (professional installer) to perform the necessary repairs or maintenance. To allow access, activate the emergency release (where fitted).
- If any part of the automated system requires direct work of any kind that is not contemplated herein, employ the services of qualified, expert personnel (professional installer).
- At least once a year, have the automated system, and especially all safety devices, checked by qualified, expert personnel (professional installer) to make sure that it is undamaged and working properly.
- A record must be made of any installation, maintenance and repair work and the relevant documentation kept and made available to the user on request.
- Failure to comply with the above may result in hazardous situations.

Anything that is not explicitly provided for in the user guide is not allowed. The operator's proper operation can only be guaranteed if the instructions given herein are complied with. The Firm shall not be answerable for damage caused by failure to comply with the instructions featured herein.

While we will not alter the product's essential features, the Firm reserves the right, at any time, to make those changes deemed opportune to improve the product from a technical, design or commercial point of view, and will not be required to update this publication accordingly.

AVERTISSEMENTS POUR L'UTILISATEUR (F)

ATTENTION ! Instructions de sécurité importantes. Veuillez lire et suivre attentivement tous les avertissements et toutes les instructions fournis avec le produit sachant qu'un usage incorrect peut provoquer des préjudices aux personnes, aux animaux ou aux biens. Veuillez conserver les instructions pour d'ultérieures consultations et pour les transmettre aux propriétaires futurs éventuels.

Cet appareil ne peut être destiné qu'à l'usage pour lequel il a été expressément installé. Tout autre usage sera considéré comme impropre et donc dangereux. Le fabricant ne sera en aucun cas considéré comme responsable des préjudices dus à un usage impropre, erroné ou déraisonné.

SECURITE GÉNÉRALE

Nous vous remercions d'avoir choisi ce produit qui, nous n'en doutons pas, saura vous garantir les performances attendues.

Ce produit, correctement installé par du personnel qualifié et expérimenté (monteur professionnel) est conforme aux normes reconnues de la technique et des prescriptions de sécurité. Si l'automatisation est montée et utilisée correctement, elle garantit la sécurité d'utilisation prescrite. Il est cependant nécessaire de respecter certaines règles de comportement pour éviter tout incon vénient accidentel.

- Tenir les enfants, les personnes et les objets à l'écart du rayon d'action de l'automatisation, en particulier pendant son fonctionnement.
- Empêcher les enfants de jouer ou de stationner dans le rayon d'action de l'automatisation.
- Cette automatisation n'est pas destinée à être utilisée par des enfants, des personnes ayant des capacités mentales, physiques et sensorielles réduites ou des personnes ne disposant pas des connaissances nécessaires à moins de disposer, par l'entremise d'une personne responsable de leur sécurité, d'une surveillance ou d'instructions sur l'usage de l'appareil.
- Les enfants doivent être surveillés afin de s'assurer qu'ils ne jouent pas avec l'appareil. Interdire aux enfants de jouer avec les contrôles fixes. Ranger les télécommandes hors de portée des enfants.
- Éviter d'opérer à proximité des charnières ou des organes mécaniques en mouvement.
- Ne pas s'opposer volontairement au mouvement du vantail et ne pas tenter d'ouvrir la porte à la main si le déclencheur n'est pas déverrouillé avec le levier de déverrouillage prévu à cet effet.
- Ne pas entrer dans le rayon d'action du portail/de la porte motorisé/e pendant son mouvement.
- Ranger les radiocommandes ou les autres dispositifs de commande hors de portée des enfants afin d'éviter tout actionnement involontaire.
- L'activation du déverrouillage manuel risque de provoquer des mouvements incontrôlés de la porte en présence de pannes mécaniques ou de conditions de déséquilibre.
- Avec les ouvre-stores: surveiller le store en mouvement et veiller à ce que les personnes restent à l'écart tant qu'il n'est pas complètement fermé. Actionner l'éventuel déverrouillage avec prudence car si un store reste ouvert il peut tomber brutalement s'il est usé ou cassé.
- La rupture ou l'usage des organes mécaniques de la porte (partie guidée), tels que les câbles, les ressorts, les supports et les gonds peuvent générer des risques. Faire contrôler périodiquement l'installation par du personnel qualifié et expérimenté (monteur professionnel), conformément aux indications du monteur ou du fabricant de la porte.
- Mettre hors tension avant d'accomplir les opérations de nettoyage extérieur.
- Veiller à la propreté des lentilles des photocellules et des lampes de signalisation. Veiller à ce que les dispositifs de sécurité ne soient pas gênés par des branches ou des arbustes.
- Ne pas utiliser l'automatisation si elle a besoin d'être réparée. En cas de panne ou de mauvais fonctionnement de l'automatisation, mettre l'automatisation hors tension, éviter toute tentative de réparation ou d'intervention directe et s'adresser uniquement à du personnel qualifié et expérimenté (monteur professionnel) pour la réparation ou les opérations d'entretien nécessaires. Pour permettre l'accès, activer le déverrouillage d'urgence (s'il y en a un).
- Pour toutes les interventions directes sur l'automatisation ou sur l'installation non prévues dans le présent manuel, s'adresser uniquement à du personnel qualifié et expérimenté (monteur professionnel).
- Une fois par an au moins, faire vérifier le bon état et le bon fonctionnement de l'automatisation par du personnel qualifié et expérimenté (monteur professionnel) et en particulier tous les dispositifs de sécurité.
- Les interventions de montage, d'entretien et de réparation doivent être documentées et cette documentation doit être tenue à la disposition de l'utilisateur.
- Le non respect des prescriptions ci-dessus peut être à l'origine de dangers.

Tout ce qui n'est pas expressément prévu dans le manuel de montage est interdit. Le bon fonctionnement de l'appareil n'est garanti que si les données indiquées sont respectées. Le Fabricant ne répond pas des dommages provoqués par l'inobservation des indications données dans ce manuel.

En laissant inaltérées les caractéristiques essentielles de l'appareil, l'entreprise se réserve le droit d'apporter à tout moment les modifications qu'elle jugera opportunes pour améliorer le produit du point de vue technique, commercial et de sa construction, sans s'engager à mettre à jour la présente publication.

HINWEISE FÜR DEN BENUTZER (D)

ACHTUNG! Wichtige Hinweise zur Sicherheit. Bitte lesen und befolgen Sie aufmerksam die Hinweise sowie die Bedienungsanleitung, die das Produkt begleiten, denn eine falsche Benutzung des Produkts kann zu Verletzungen von Menschen und Tieren sowie zu Sachschäden führen. Bitte bewahren Sie die Anweisungen für die zukünftige Konsultation sowie für eventuelle zukünftige Benutzer der Anlage auf.

Dieses Produkt ist ausschließlich für den Einsatz bestimmt, für den es ausdrücklich installiert worden ist. Alle sonstigen Einsatzweisen gelten als Zweckentfremdung und somit als gefährlich. Der Hersteller kann nicht für eventuelle Schäden haftbar gemacht werden, die auf Zweckentfremdung oder unsachgemäße Verwendung zurückzuführen sind.

ALLGEMEINE SICHERHEIT

Wir danken Ihnen dafür, dass Sie diesem Produkt den Vorzug gegeben haben, und sind sicher,



dass Sie mit ihm die für Ihre Anwendung erforderlichen Leistungen erzielen werden.

Dieses Produkt entspricht den anerkannten Normen der Technik sowie den Sicherheitsbestimmungen, falls es von qualifiziertem Fachpersonal (professioneller Installateur) ordnungsgemäß installiert wird.

Bei ordnungsgemäßer Installation und Benutzung erfüllt die Automatisierung die geforderten Sicherheitsstandards. Dennoch sollten einige Verhaltensregeln beachtet werden, um Zwischenfälle zu vermeiden:

- Halten Sie Kinder, Personen und Sachen aus dem Wirkungsbereich der Automatisierung fern, vor allem während der Bewegung.
- Verhindern Sie, dass sich Kindern im Aktionsradius der Automatisierung aufhalten oder dort spielen.
- Diese Automatisierung ist nicht für die Benutzung durch Kinder, Personen mit eingeschränkten geistigen, körperlichen oder sensorischen Fähigkeiten oder Personen ohne angemessene Kenntnisse vorgesehen, es sei denn, sie werden durch ihren Sicherheitsbeauftragten überwacht oder in die Benutzung der Vorrichtung eingewiesen.
- Kinder müssen überwacht werden, um sicherzustellen, dass sie nicht mit der Vorrichtung spielen. Stellen Sie sicher, dass die Kinder nicht mit den festen Bedienelementen spielen. Halten Sie die Fernbedienungen von Kindern fern.
- Vermeiden Sie Arbeiten in der Nähe der Scharniere oder der beweglichen Bauteile.
- Halten Sie die Bewegung der Tür nicht auf und versuchen Sie nicht, die Tür von Hand zu öffnen, wenn der Trieb nicht mit dem entsprechenden Entsperrhebel entsperrt worden ist.
- Halten Sie sich während der Bewegung aus dem Aktionsradius der Tür oder des motorisierten Tors fern.
- Halten Sie die Fernbedienung oder sonstige Steuerungsvorrichtungen von Kindern fern, um unbeabsichtigte Betätigungen der Automatisierung zu vermeiden.
- Die Aktivierung der manuellen Entsperrung könnte bei mechanischen Defekten oder Ungleichgewichtssituationen zu unkontrollierten Bewegungen der Tür führen.
- Bei Rolladentautomatisierungen: Überwachen Sie den Rollladen während der Bewegung und halten Sie Personen fern, bis er vollständig geschlossen ist. Gehen Sie bei der Betätigung der eventuellen Entsperrung mit Vorsicht vor, da der offene Rollladen bei Brüchen oder Abnutzung herunterfallen könnte.
- Das Brechen oder die Abnutzung der mechanischen Organe der Tür (geführter Teil) wie zum Beispiel Kabel, Federn, Aufhängungen, Führungen usw. könnte zu Gefahren führen. Lassen Sie die Anlage in regelmäßigen Abständen von qualifiziertem Fachpersonal (professioneller Installateur) unter Beachtung der Angaben des Installateurs oder des Herstellers der Tür überprüfen.
- Unterbrechen Sie vor allen externen Reinigungsarbeiten die Stromversorgung.
- Halten Sie die Linsen der Fotozellen und die Anzeigevorrichtungen sauber. Stellen Sie sicher, dass die Sicherheitsvorrichtungen nicht durch Zweige oder Sträucher beeinträchtigt werden.
- Benutzen Sie die Automatisierung nicht, falls sie Reparatureingriffe erforderlich macht. Unterbrechen Sie bei Beschädigungen oder Funktionsstörungen die Stromversorgung der Automatisierung, unternehmen Sie keine Reparaturversuche oder direkte Eingriffe und wenden Sie sich für die erforderliche Reparatur oder Wartung an qualifiziertes Fachpersonal (professioneller Installateur). Aktivieren Sie für den Zugang die Notfallentsperrung (falls vorhanden).
- Wenden Sie sich für alle im vorliegenden Handbuch nicht vorgesehenen direkten Eingriffe an der Automatisierung oder der Anlage an qualifiziertes Fachpersonal (professioneller Installateur).
- Lassen Sie die Unversehrtheit und den ordnungsgemäßen Betrieb der Automatisierung sowie insbesondere der Sicherheitsvorrichtungen zumindest einmal jährlich von qualifiziertem Fachpersonal (professioneller Installateur) überprüfen.
- Die Installations-, Wartungs- und Reparatureingriffe müssen dokumentiert werden und die Dokumentation muss dem Benutzer zur Verfügung gehalten werden.
- Die Nichtbeachtung dieser Anweisung kann zu Gefahrensituationen führen.

Alles, was im Installationshandbuch nicht ausdrücklich vorgesehen ist, ist untersagt. Der ordnungsgemäße Betrieb des Triebwerks kann nur garantiert werden, wenn alle angegebenen Daten eingehalten werden. Die Firma haftet nicht für Schäden, die auf die Nichtbeachtung der Hinweise im vorliegenden Handbuch zurückzuführen sind.

Unter Beibehaltung der wesentlichen Eigenschaften des Produktes kann die Firma jederzeit und ohne Verpflichtung zur Aktualisierung des vorliegenden Handbuchs Änderungen zur technischen, konstruktiven oder handelstechnischen Verbesserung vornehmen.

ADVERTENCIAS PARA EL USUARIO (E)

¡ATENCIÓN! Instrucciones de seguridad importantes. Leer y seguir con atención las Advertencias y las Instrucciones que acompañan al producto, ya que el uso inapropiado puede causar daños a personas, animales o cosas. Guardar las instrucciones para futuras consultas y transmitir las eventuales reemplazantes en el uso de la instalación. Este producto se deberá utilizar únicamente para el uso para el cual ha sido expresamente instalado. Cualquier otro uso se considerará inadecuado y por lo tanto peligroso. El fabricante no se responsabiliza por posibles daños causados debido a usos inapropiados, erróneos e irrazonables.

SEGURIDAD GENERAL

Le agradecemos por haber elegido este producto, en la Empresa estamos seguros que obtendrán las prestaciones necesarias para su uso.

Este producto responde a las normas reconocidas de la técnica y de las disposiciones inherentes a la seguridad siempre que haya sido correctamente instalado por personal cualificado y experto (instalador profesional).

La automatización, si se instala y utiliza de manera correcta, cumple con los estándares de seguridad para el uso. Sin embargo es conveniente respetar algunas reglas de comportamiento para evitar inconvenientes accidentales:

- Mantener a niños, personas y cosas fuera del radio de acción de la automatización, especialmente durante su movimiento.
- No permitir que los niños jueguen o permanezcan en el radio de acción de la automatización.
- Esta automatización no está destinada para ser utilizada por niños o por personas con capacidades mentales, físicas y sensoriales reducidas, o personas que no cuenten con conocimientos adecuados, salvo que sean supervisadas o hayan recibido instrucciones de uso del equipo por parte de una persona responsable de su seguridad.
- Los niños deben ser vigilados para cerciorarse que no jueguen con el equipo. No permitir que los niños jueguen con los controles fijos. Mantener los mandos a distancia alejados de los niños.
- Evitar operar cerca de las bisagras o de los órganos mecánicos en movimiento.
- No obstruir el movimiento de la hoja y no intentar abrir manualmente la puerta si no se ha desbloqueado el accionador con el botón de desbloqueo específico.
- No ingresar al radio de acción de la puerta o cancela motorizadas durante el movimiento de las mismas.
- No dejar radiomandos u otros dispositivos de mando al alcance de niños, para evitar accionamientos involuntarios.
- La activación del desbloqueo manual podría causar movimientos incontrolados de la puerta en caso de averías mecánicas o condiciones de desequilibrio.
- En caso de automatizaciones para persianas enrollables: vigilar la persiana en movimiento y mantener alejadas a las personas hasta que esté completamente cerrada. Tener precaución cuando se acciona el desbloqueo, si estuviera presente, puesto que una persiana enrollable abierta podría caer rápidamente en caso de desgaste o roturas.
- La rotura o el desgaste de órganos mecánicos de la puerta (parte guiada), como por ejemplo cables, muelles, soportes, goznes, guías, etc. podría generar peligros. Hacer controlar periódicamente la instalación por personal cualificado y experto (instalador profesional), según lo indicado por el instalador o por el fabricante de la puerta.
- Para cualquier operación de limpieza exterior, interrumpir la alimentación de red.
- Mantener limpias las ópticas de las fotocélulas y los dispositivos de señalización luminosa. Controlar que ramas y arbustos no obstruyan los dispositivos de seguridad.
- No utilizar la automatización si necesita intervenciones de reparación. En caso de avería o de defecto de funcionamiento de la automatización, interrumpir la alimentación de red en la automatización, abstenerse de cualquier intento de reparación o intervención directa y recurrir sólo a personal cualificado y experto (instalador profesional) para la necesaria reparación

y mantenimiento. Para permitir el acceso, activar el desbloqueo de emergencia (si estuviera presente).

- Para cualquier intervención directa en la automatización o en la instalación no prevista por el presente manual, recurrir a personal cualificado y experto (instalador profesional).
- Al menos una vez al año hacer controlar la integridad y el correcto funcionamiento de la automatización por personal cualificado y experto (instalador profesional), en particular de todos los dispositivos de seguridad.
- Las intervenciones de instalación, mantenimiento y reparación deben ser registradas y la documentación correspondiente se debe mantener a disposición del usuario.
- El incumplimiento de lo antes indicado puede provocar situaciones de peligro.

Todo aquello que no expresamente previsto en el manual de uso, no está permitido. El buen funcionamiento del operador es garantizado sólo si se respetan las prescripciones indicadas en el presente manual. La Empresa no se responsabiliza por los daños causados por el incumplimiento de las indicaciones dadas en el presente manual.

Dejando inalteradas las características esenciales del producto, la Empresa se reserva el derecho de realizar, en cualquier momento, modificaciones que considere convenientes para mejorar la técnica, la fabricación y la comercialización del producto, sin comprometerse a actualizar la presente publicación.

WAARSCHUWINGEN VOOR DE GEBRUIKER(NL)

LET OP! Belangrijke veiligheidsinstructies. De Waarschuwingen en de Instructies die met het product meegeleverd worden zorgvuldig lezen en volgen, aangezien verkeerd gebruik schade aan personen, dieren of voorwerpen kan veroorzaken. De instructies bewaren voor toekomstige raadpleging en doorgeven aan eventuele personen die het gebruik van de installatie overnemen.

Dit product is uitsluitend bestemd voor het gebruik waarvoor het uitdrukkelijk geïnstalleerd is. Ieder ander gebruik dient als oneigenlijk en dus gevaarlijk beschouwd te worden. De fabrikant mag niet verantwoordelijk worden gehouden voor eventuele schade veroorzaakt door oneigenlijk, verkeerd of onredelijk gebruik.

ALGEMENE VEILIGHEID

Wij danken u ervoor dat u de voorkeur hebt gegeven aan dit product. Wij als bedrijf zijn er zeker van dat dit product de voor uw gebruik noodzakelijke prestaties kan leveren.

Dit product voldoet aan de erkende normen van de techniek en van de bepalingen betreffende de veiligheid, indien correct geïnstalleerd door gekwalificeerd en ervaren personeel (professioneel installateur).

Het automatiseringssysteem, indien juist geïnstalleerd en gebruikt, voldoet aan de vereiste veiligheidsgraad bij het gebruik. Het is niettemin nuttig enkele gedragsregels in acht te nemen om onopzettelijke ongemakken te vermijden:

- Kinderen, personen en voorwerpen buiten de actieradius van het automatiseringssysteem houden, met name tijdens de beweging.
- Niet aan kinderen toestaan om in de actieradius van het automatiseringssysteem te spelen of zich daarbinnen te bevinden.
- Deze automatisering is niet bestemd voor gebruik vanwege kinderen of personen met beperkte mentale, lichamelijke en sensorische capaciteiten, of vanwege personen die het toestel niet voldoende kennen, tenzij ze beroep kunnen doen op de hulp van een persoon die verantwoordelijk is voor hun veiligheid en die toezicht houdt of de nodige instructies verschaft m.b.t. het gebruik van het toestel.
- De kinderen moeten in het oog worden gehouden zodanig dat ze zeker niet met het toestel gaan spelen. De kinderen niet laten spelen met de vaste controles. De afstandsbedieningen uit de buurt van de kinderen houden.
- Vermijden om te werken in de buurt van de scharnieren of bewegende mechanische onderdelen.
- De beweging van de vleugel niet tegengaan en niet proberen de deur handmatig te openen, als de actuator niet gedeblokkeerd is met de speciale deblokkeringsknop.
- Niet de actieradius van de gemotoriseerde deur of hek betreden tijdens de beweging daarvan.
- Afstandsbedieningen of andere besturingsinrichtingen buiten bereik van kinderen bewaren om ongewilde activeringen te vermijden.
- De activering van de handmatige deblokkering zou ongecontroleerde bewegingen van de deur kunnen veroorzaken, als dit gebeurt tijdens mechanische storingen of in onevenwichtige toestanden.
- In geval van afstandsbediening rolluiken: het bewegende rolluik controleren en de personen op een afstand houden tot deze niet volledig gesloten is. Opletten wanneer de deblokkering wordt geactiveerd, indien aanwezig, omdat een open rolluik snel zou kunnen vallen in aanwezigheid van slijtage of gebreken.
- Het stukgaan of de slijtage van mechanische onderdelen van de deur (geleide deel), zoals bijvoorbeeld kabels, veren, steunen, klepscharnieren, geleiders, kan gevaren veroorzaken. De installatie periodiek laten controleren door gekwalificeerd en ervaren personeel (professioneel installateur) volgens hetgeen aangegeven door de installateur of de deurenfabrikant.
- Voor alle externe schoonmaakwerkzaamheden het voedingsnet loskoppelen.
- De optieken van de fotocellen en de signaleringsinrichtingen schoon houden. Controleren of takken en struiken de veiligheidsinrichtingen niet storen.
- Het automatisisme niet gebruiken, als daarop onderhoudswerkzaamheden nodig zijn. In geval van storing of defect van het automatiseringssysteem, het voedingsnet loskoppelen van het automatiseringssysteem, geen pogingen ondernemen tot reparatie of directe werkzaamheden en zich alleen tot gekwalificeerd en ervaren personeel wenden (professioneel installateur) voor de noodzakelijke reparatie of onderhoud. Om de toegang mogelijk te maken, de nooddeblokkering activeren (indien aanwezig).
- Voor wat voor directe werkzaamheden dan ook op het automatiseringssysteem of de installatie, die niet door deze handleiding voorzien zijn, gebruik maken van gekwalificeerd en ervaren personeel (professioneel installateur).
- Minstens eenmaal per jaar de goede toestand en de correcte werking van het automatiseringssysteem laten controleren door gekwalificeerd en ervaren personeel (professioneel installateur), met name van alle veiligheidsinrichtingen.
- De installatie-, onderhouds- en reparatiewerkzaamheden moeten gedocumenteerd worden en de desbetreffende documentatie moet ter beschikking worden gehouden van de gebruiker.
- Het niet naleven van hetgeen hierboven beschreven is, kan gevaarlijke situaties creëren.

Al hetgeen niet uitdrukkelijk voorzien is in deze gebruikershandleiding, is niet toegestaan. De goede werking van de controller is alleen gegarandeerd, als de voorschriften aanwezig in deze handleiding in acht worden genomen. Het bedrijf is niet gehouden zich te verantwoorden voor de schade veroorzaakt door het niet in acht nemen van de aanwijzingen vermeld in deze handleiding.

Tervrij de hoofdkenmerken van het product ongewijzigd blijven, behoudt het Bedrijf zich het recht voor om op ieder willekeurig moment die wijzigingen aan te brengen die zij geschikt acht om het product technisch, constructief en commercieel gezien te verbeteren, zonder deze publicatie te hoeven bijwerken.

BFT S.P.A.

Via Lago di Vico 44, 36015 Schio (Vi) - **Italy**
tel. +39 0445 69 65 11 / fax. +39 0445 69 65 22
www.bft.it / e-mail: info@bft.it

AUTOMATISMES BFT FRANCE

13 Bd. E. Michelet, 69008 Lyon - **France**
tel. +33 (0)4 78 76 09 88 - fax +33 (0)4 78 76 92 23
e-mail: contacts@automatismes-bft-france.fr

**BFT Torantriebssysteme GmbH**

Faber-Castell-Straße 29
D - 90522 Oberasbach - **Germany**
tel. +49 (0)911 766 00 90 - fax +49 (0)911 766 00 99
e-mail: service@bft-torantriebe.de

BFT Automation UK Ltd

Unit 8E, Newby Road
Industrial Estate Hazel Grove, Stockport,
Cheshire, SK7 5DA - **UK**
tel. +44 (0) 161 4560456 - fax +44 (0) 161 4569090
e-mail: info@bftautomation.co.uk

BFT BENELUX SA

Parc Industriel 1, Rue du commerce 12
1400 Nivelles - **Belgium**
tel. +32 (0)67 55 02 00 - fax +32 (0)67 55 02 01
e-mail: info@bftbenelux.be

BFT-ADRIA d.o.o.

Obrovac 39
51218 Dražice (Rijeka)
Hrvatska - **Croatia**
tel. +385 (0)51 502 640 - fax +385 (0)51 502 644
e-mail: info@bft.hr

BFT Polska Sp. z o.o.

Unit 8E, Newby Road
ul. Kolacińska 35
03-171 Warszawa - **Poland**
tel. +48 22 814 12 22 - fax +48 22 814 39 18
e-mail: biuro@bft.com.pl

BFT USA BFT U.S., Inc.

6100 Broken Sound Pkwy, N.W., Suite 14
Boca Raton, FL 33487 - **U.S.A.**
T: +1 561.995.8155 - F: +1 561.995.8160
TOLL FREE 1.877.995.8155 - info.bft@bft-usa.com

BFT GROUP ITALIBERICA DE AUTOMATISMOS S.L.

Pol. Palou Nord,
Sector F - C/Cami - Can Basa nº 6-8 08401 Granollers -
(Barcelona) - Spain
tel. +34 938 61 48 28 - fax +34 938 70 03 94
e-mail: bftbcn@bftautomatismos.com

Pl. Comendador - C/
informática, Nave 22 - 19200 Azuqueca de henares
(Guadalajara) - Spain
tel. +34 949 26 32 00 - fax +34 949 26 24 51
e-mail: administracion@bftautomatismos.com

BFT SA-COMERCIO DE AUTOMATISMOS E MATERIAL DE SEGURANÇA
Urbanizaçao da Pedrulha Lote 9 - Apartado 8123,
3020-305 COIMBRA - **PORTUGAL**
tel. +351 239 082 790 - fax +351 239 082 799
e-mail: geral@bftportugal.com