

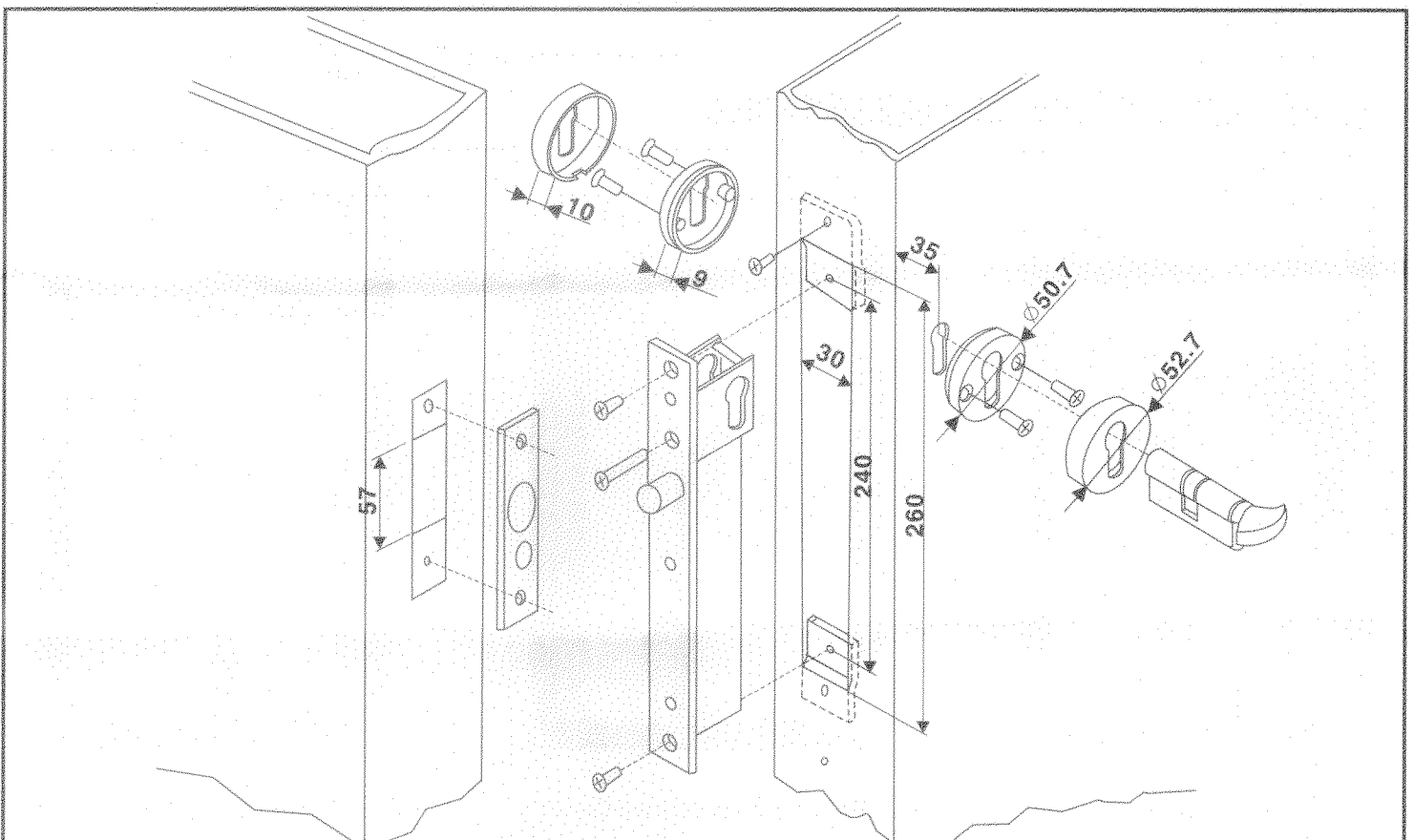
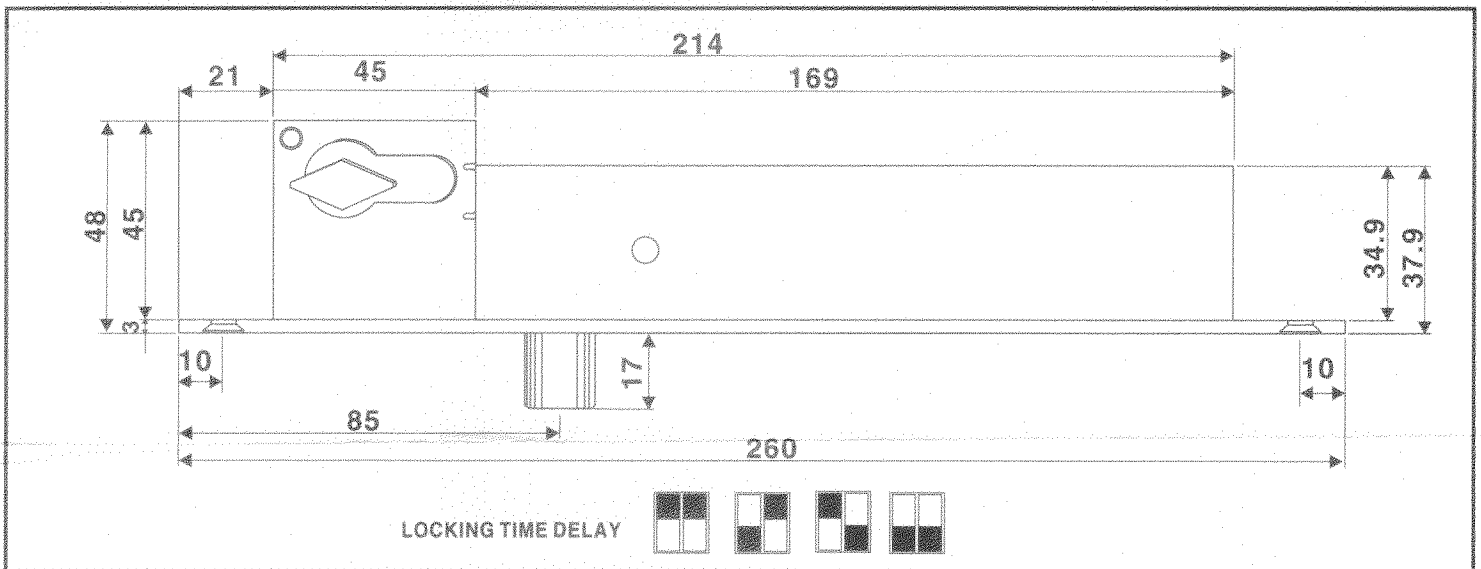
FAIL SECURE ELECTRIC BOLT WITH MORT LOCK CYLINDER

MODEL: YB-600

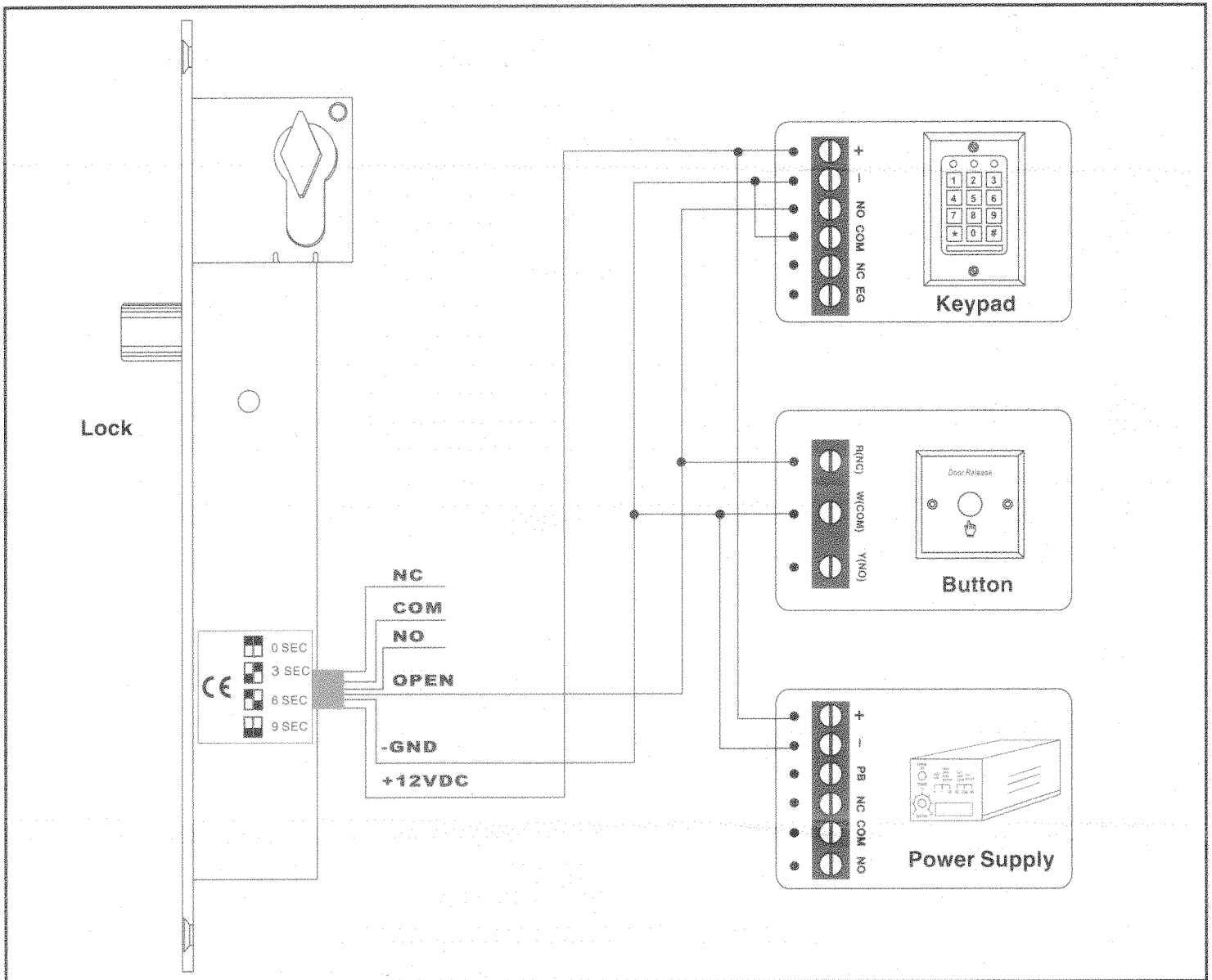


SPECIFICATION	
Face Plate	260Lx30Wx48H(mm)
Strike	100Lx25Wx2.7H(mm)
Decorative Panel	270Lx35Wx0.5H(mm)
Cylinder Size	70Lx33W(mm)
Bolt	17mmDIA, stainless steel 16mm throw
Voltage	DC12VDC \pm 10%
Current	Start 900mA, Standby 150mA
Time	0/3/6/9 sec
Fail Safe	Opened when energized
Lock Status Output	NC/NO/COM
Weight	1kg

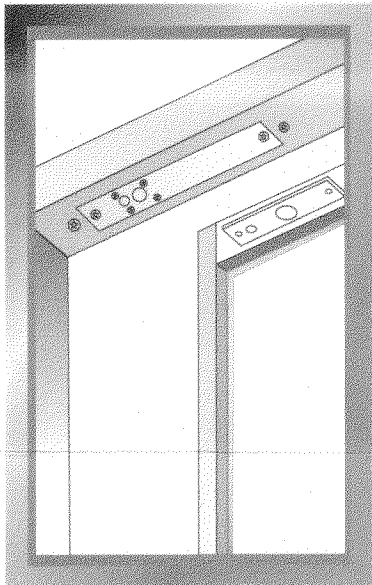
COLOUR	6-PIN
Red	+12VDC
Brown	-GND
Orange	OPEN
Blue	NO
Green	NC
White	COM



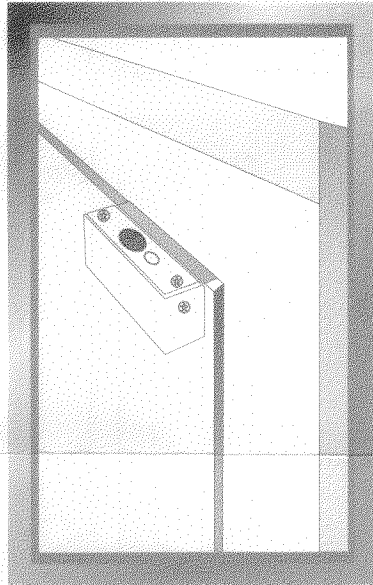
WIRING DIAGRAM



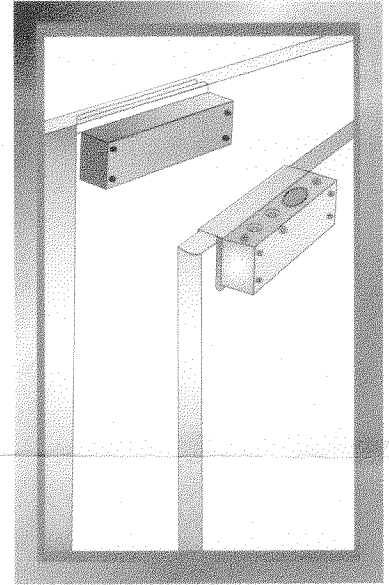
INSTALLATION SCHEMATIC



Standard



Frameless Glass Door



Full Frameless Glass Door