

100mm Cobweb Lens RG LED Traffic Light

Model No. : JD100-3-2-1AD



FEATURES & BENEFITS

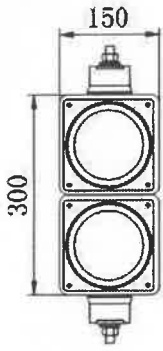
- ✓ Application – access of parking lots, warehouses, dockyards
- ✓ Input voltage – DC12V/ DC24V
- ✓ Double layer optical lens for even light distribution
- ✓ High intensity LED light source – low energy consumption
- ✓ Long life cycle – more than 80,000 working hours
- ✓ Highly durable polycarbonate housing, UV-light resistant
- ✓ Modular design – easy installation and maintenance
- ✓ Compliance with CE, RoHS, EN12368, ISO9001

TECHNICAL DATA

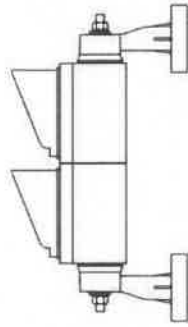
Working Voltage	DC12/DC24V,50/60Hz	Working Temperature	-40°C~+80°C
Power Factor	≥ 0.92	THD	≤ 20%
Housing Material	PC -- UV resistant	Housing Color	Black (other colors upon request)
View Angle	L/R-30° U/D-30°	View Distance	≥ 200m
IP Grade	IP65	Warranty	3 years

Color	LED Qty	Intensity	Wave length	Power Consumption
Red	31pcs	≥150cd	620~630nm	≤3W
Green	31pcs	≥220cd	503~508nm	≤3W

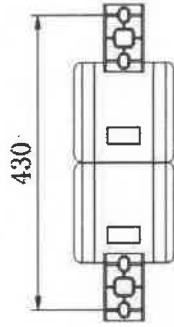
DIMENSIONAL DRAWING



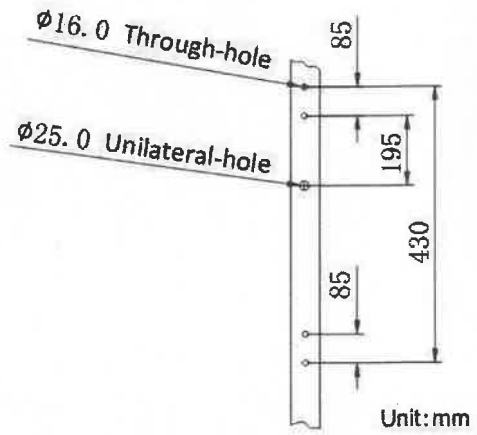
Elevation



Right view



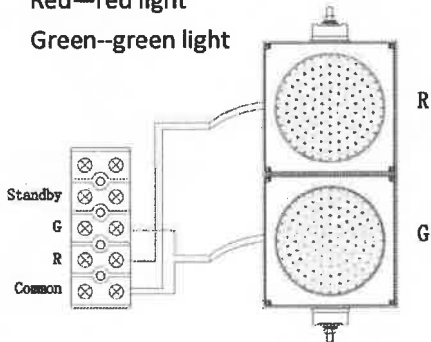
Back view



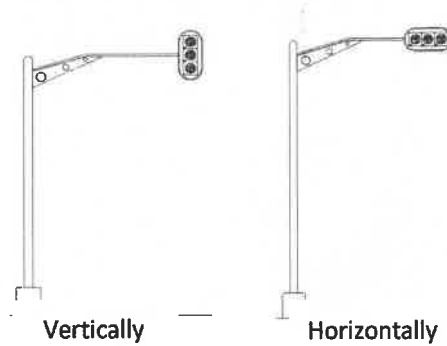
Light pole Installation Holes Chart

WIRING DIAGRAM

Black--Common
Red--red light
Green--green light



INSTALLATION



Vertically

Horizontally

PACKING INFO

Carton size	QTY	GW	NW	Wrapper	Volume(M ³)
0.46*0.20*0.21m	1pcs/carton	2.6kg	2.0kg	K=K Carton	0.02

Light	Arm-bracket	M12×65 screw stem and gasket	M12 gasket	Decorative sheet	Using manual	Certificate
1	2	2	2	0	1	1