

Detailed wiring diagram

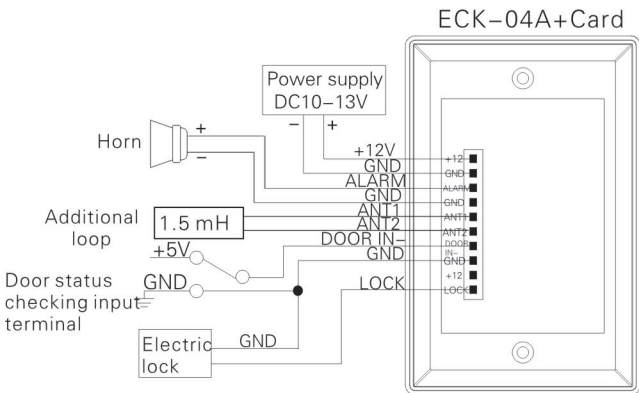
(1) Connect to electric lock diagram



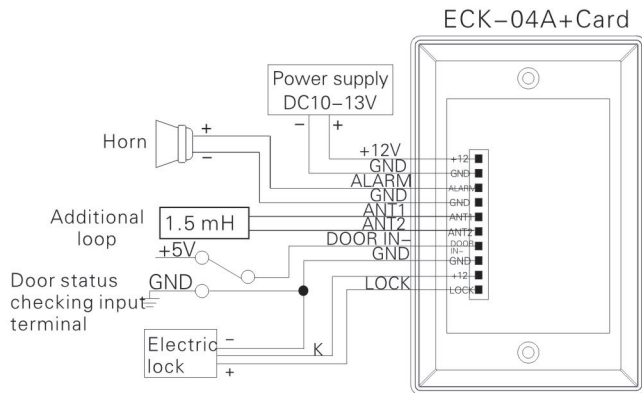
system alarms
surveillance video
video-intercom-access
part1-garage-automatizaci

ULTRA MASTER PRO sz1
84 444 444 444 444
0044 234 444 444
0728 043 444 444

(2) Connect to signal lock diagram



Note: The working current of the electrical lock should be $\leq 1A$
The output current of the power supply should be $\geq 0.8A$



Note: The K represent the signal terminal of the lock.