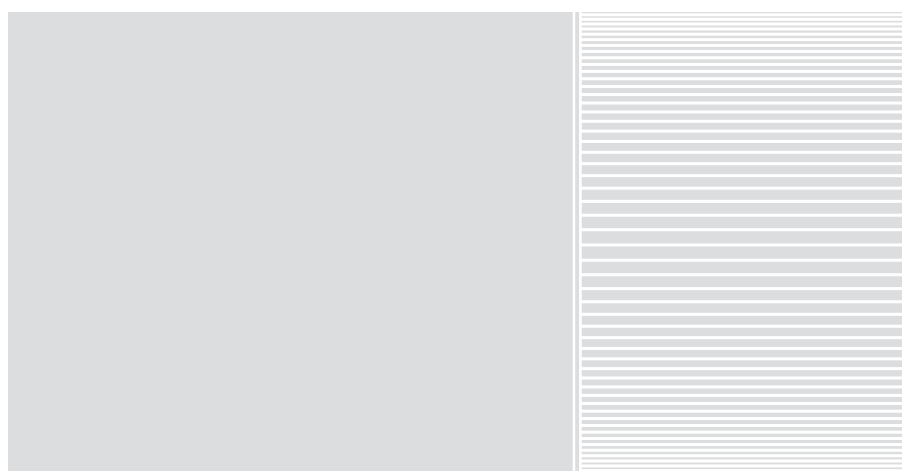


She150Kit

CE

She175Kit

Garage door opener



EN - Instructions and warnings for installation and use

IT - Istruzioni ed avvertenze per l'installazione e l'uso

FR - Instructions et avertissements pour l'installation et l'utilisation

ES - Instrucciones y advertencias para la instalación y el uso

DE - Installierungs-und Gebrauchsanleitungen und Hinweise

PL - Instrukcje i ostrzeżenia do instalacji i użytkowania

NL - Aanwijzingen en aanbevelingen voor installatie en gebruik

Nice

GENERAL SAFETY WARNINGS AND PRECAUTIONS**STEP 1**

- Working in safety! 2
- Installation warnings 2

KNOWLEDGE OF THE PRODUCT AND PREPARATION FOR INSTALLATION**STEP 2**

- 2.1 - Product description and intended use 2
- 2.2 - Components used to set up a complete system 2

STEP 3

- Preliminary checks for installation** 3
- 3.1 - Checking suitability of the environment and door to be automated 3
- 3.2 - Checking product application limits 3

STEP 4

- 4.1 - Preliminary set-up work 3
- 4.1.1 - *Typical reference system* 3
- 4.1.2 - *Establishing positions of components* 3
- 4.1.3 - *Establishing the device connection layout* 3
- 4.1.4 - *Checking the tools required for the work* 3
- 4.1.5 - *Completing the set-up work* 3
- 4.2 - Laying the electric cables 3

INSTALLATION: COMPONENT ASSEMBLY AND CONNECTION**STEP 5**

- 5.1 - Installing the automation components 4
- 5.2 - Fixing the automation to the wall, ceiling, and door 4

STEP 6

- System device installation and connection 5

POWER SUPPLY CONNECTION

- STEP 7** 5

INITIAL START-UP AND ELECTRICAL CONNECTIONS CHECK

- STEP 8** 5

PROGRAMMING THE AUTOMATION**STEP 9**

- 9.1 - Memorisation of transmitter mod. FLO4R-S 6
- 9.2 - Memorising the door "Opening" and "Closing" travel limit positions 6

DJUSTMENTS AND OTHER OPTIONAL FUNCTIONS

- 10 - Automation operation adjustment 6
- 11 - Memorisation of a new transmitter with control unit "in the vicinity" 7
- 12 - Deleting data from the Control unit memory 7

- WHAT TO DO IF... (troubleshooting guide)** 8

TASKS RESERVED FOR QUALIFIED TECHNICIANS

- Connecting the automation to the electrical mains 8
- Automation testing and commissioning 8
- Product disposal 9
- CE declaration of conformity 9

- TECHNICAL SPECIFICATIONS OF COMPONENTS** 10

- OPERATION MANUAL** I

- IMAGES** VIII - XIV

GENERAL SAFETY WARNINGS AND PRECAUTIONS

STEP 1

WORKING IN SAFETY!

⚠ Please note - These instructions must be followed to guarantee personal safety.

⚠ Please note - Important safety instructions. Keep for future reference.

The design and manufacture of the devices making up the product and the information in this manual fully comply with current standards governing safety. However, incorrect installation or programming may cause serious physical injury to those working on or using the system. For this reason, during installation, always strictly observe all instructions in this manual.

If in any doubt regarding installation, do not proceed and contact the Moovo Technical Assistance Nice for clarifications.

If this is the first time you are setting up an automation for garage doors (sectional or up-and-over), we recommend that you read this entire manual with care. This is preferable before any work, without any hurry to start practical tasks.

Also keep product devices on hand while consulting the manual to enable testing and checking (excluding any programming phases) with the information provided in the manual.

While reading this manual, take care to observe all instructions marked with the following symbol:



These symbols indicate subjects that may be the source of potential hazards and therefore the prescribed operations must be performed exclusively by qualified and skilled personnel, in observance of these instructions current safety standards.

⚠ INSTALLATION WARNINGS

According to the most recent legislation, the installation of a garage door must be in full observance of the standards envisaged by European Directive 98/37/EC (Machinery Directive) and in particular standards EN 12445, EN 12453 EN 12635 and EN 13241-1, which enable declaration of presumed conformity of the automation.

In consideration of the above,

The final connection of the automation to the electrical mains, system testing, commissioning and periodic maintenance must be performed by skilled and qualified personnel, in observance of the instructions in the section *"Tasks reserved for qualified technicians"*. These personnel are also responsible for the tests required according to the risks present, and for ensuring observance of all legal provisions, standards and regulations, and in particular all requirements of the standard EN 12445, which establishes the test methods for checking automations for garage doors.

However, all preliminary set-up, installation and programming operations may be performed by personnel with standard skills, provided that all instructions and the relative sequences in this manual are strictly observed, with special reference to the warnings in STEP 1.

Before starting installation, perform the following checks and assessments:

- ensure that each device used to set up the automation is suited to the intended system. For this purpose, pay special attention to the data provided in the paragraph *"Technical specifications"*. Do not proceed with installation if any one of these devices does not correspond to specifications.

- ensure that the devices in the kit are sufficient to guarantee system safety and functionality.

- an assessment of the associated risks must be made, including a list of the essential safety requirements as envisaged in *Appendix I of the Machinery Directive*, specifying the relative solutions adopted. Note that the risk assessment is one of the documents included in the automation Technical documentation. This must be compiled by a professional installer.

Considering the risk situations that may arise during installation phases and use of the product, the automation must be installed in observance of the following warnings:

- never make any modifications to part of the automation other than those specified in this manual. Operations of this type will lead to malfunctions. The manufacturer declines all liability for damage caused by makeshift modifications to the product.

- ensure that parts of the automation cannot come into contact with water or other liquids. During installation ensure that no liquids penetrate the gearmotors or other devices present.

- should this occur, disconnect the power supply immediately and contact a Nice service centre. Use of the automation in these conditions constitutes a hazard.

- never place automation components near to sources of heat and never expose to naked flames. This may damage system components and cause malfunctions, fire or hazardous situations.

- all operations requiring opening of the protection housings of various automation components must be performed with the control unit disconnected from the power supply. If the disconnect device is not in a visible location, affix a notice stating: "WARNING! MAINTENANCE IN PROGRESS".

- the wall-mounted pushbutton panel must be positioned in sight of the shutter, but far from moving parts and at a height of at least 1.5 m from the ground, not accessible by the public.

- ensure that there are no risks of crushing during the *Closing* manoeuvre; install additional safety devices where necessary.

- if the door to be automated is fitted with a pedestrian door, the system must be set up with a control system to prevent motor operation when the pedestrian door is open.

- on the system power mains install a device for disconnection, to guarantee a gap between contacts and complete disconnection in the conditions of over-voltage category III.

- if the power cable is damaged, it must be replaced by Nice, by the assigned technical service centre or in any event by a person with similar qualifications to prevent all risks.

- this product is not designed to be used by persons (including children) whose physical, sensorial or mental capacities are reduced, or with lack of experience or skill, unless suitable instructions regarding use of the product have been provided by a person responsible for safety.

- the product may not be considered an efficient system of protection against intrusion. If an efficient protection system is required, the automation must be integrated with other devices.

- connect the control unit to an electric power line equipped with an earthing system.

- the product may only be used after completing the automation "commissioning" procedure as specified in paragraph *"Automation testing and commissioning"* provided in the section *"Tasks reserved for qualified technicians"*.

- The automation component packaging material must be disposed of in full observance of current local legislation governing waste disposal.

KNOWLEDGE OF THE PRODUCT AND PREPARATION FOR INSTALLATION

STEP 2

2.1 – PRODUCT DESCRIPTION AND INTENDED USE

In general, the series of devices that make up this product serve to automate a garage door for residential applications (**fig. 1**). This type may be "sectional" or "up-and-over"; up-and-over doors may be projecting (during opening the door protrudes outwards) or non-projecting with springs or counterweights.

In particular, this kit is designed for the automation exclusively of sectional garage doors. Therefore, to automate an up-and-over door, the special oscillating arm must be fitted (mod. SPA5, not supplied in pack).

Any other use than as specified herein or in environmental conditions other than as stated in STEP 3 is to be considered improper and is strictly prohibited!

This product comprises an electromechanical gearmotor with a 24 V dc motor, a guide, chain and a drive carriage. The gearmotor is also equipped with a control unit.

The control unit comprises an electronic board, a courtesy/indicator light and a built-in radio receiver, plus an aerial, which receives the commands sent by a transmitter.

The control unit can control different types of manoeuvres, each programmable and usable according to specific requirements.

Special functions are also available to enable personalisation of automation operation.

The automation is designed for use with various accessories which enhance functionality and guarantee optimal safety. More specifically, the control unit can memorise up to 150 keys of transmitters mod. FLO4R-S and up to 4 pairs of photocells, mod. MOF/MOFO.

The product is mains-powered, and, in the event of a power failure enables manual movement of the door, by release of the drive carriage using a special cord.

2.2 – COMPONENTS USED TO SET UP A COMPLETE SYSTEM

Fig. 2 illustrates all components used to set up a complete system, such as that shown in **fig. 8**.

WARNING!

Some components shown in **fig. 2** are optional and may not be supplied in the pack.

List of components:

- [a] - electromechanical gearmotor
- [b] - integral guide
- [c] - gearmotor ceiling mounting brackets
- [d] - gearmotor wall-mounting brackets
- [e] - mechanical stop for carriage travel limit
- [f] - chain gear
- [g] - drive chain
- [h] - door drive rod (for **sectional doors only**)
- [i] - drive carriage
- [l] - automation release knob and cord
- [m] - bracket for connection of drive rod to door
- [n] - oscillating arm and relative drive rod
(mod. SPA5, for **up-and-over doors only**)
- [o] - pair of photocells (wall-mounted) mod. MOF/MOFO
- [p] - transmitter (portable) mod. FLO4R-S
- [q] - radio control keypad mod. MOTXR (wall-mounted)
- [r] - Metal hardware (screws, washers, etc.)*

(* **Note** – The screws required for wall-fixture of components are not included in the pack, as their type depends on the material and thickness of the door in which they are inserted.

STEP 3**PRELIMINARY INSTALLATION WORK**

Before proceeding with installation, check the condition of the product components, suitability of the selected model and conditions of the intended installation environment.

IMPORTANT – The gearmotor cannot be used to power a door that is not fully efficient and safe. Neither can it solve defects caused by poor installation or insufficient maintenance of the door itself.

3.1 – CHECKING SUITABILITY OF THE ENVIRONMENT AND THE DOOR TO BE AUTOMATED

- In the case of automating a projecting up-and-over door, ensure that movement does not obstruct public roads or pavements.
- Ensure that the mechanical structure of the door is suitable for automation and complies with local standards.
- Check stability of the mechanical structure of the door, ensuring that there is no risk of guides coming out of their seats.
- Move the door manually to *open* and *close*, checking that movement has the same degree of friction throughout all points of travel (*no increase in friction must occur*).
- Ensure that the door is correctly balanced: in other words, if left stationary (manually) it must not move from any position.
- Ensure that the space around the automation enables safe and easy manual release.
- Ensure that the selected surfaces for installation of the various devices are solid and guarantee a stable fixture.
- Ensure that all devices to be installed are in a sheltered location and protected against the risk of accidental impact.
- Ensure that the selected surfaces for fixing the photocells are flat and enable correct alignment between photocells.

3.2 – CHECKING PRODUCT APPLICATION LIMITS

To ascertain suitability of the product with respect to the specific features of the door and area to be automated, the following checks should be performed as well as a check for compliance of the technical data in this paragraph and the chapter *“Product technical specifications”*.

- Ensure that the dimensions and weight of the door are within the following limits of use:

	SHEL50KIT	SHEL75KIT
Sectional doors	350 x 240 cm	400 x 240 cm
Projecting up-and-over doors	350 x 280 cm	400 x 280 cm
Non-projecting up-and-over doors	350 x 220 cm	400 x 220 cm

Note – The shape of the door and weather conditions, such as the presence of strong winds, can reduce the above maximum values. In these cases it is important to measure the force required to move the door in the worst conditions and compare these with the technical specifications of the gearmotor.

- Ensure that the area for mounting the gearmotor and guide is compatible with the overall dimensions of the automation to be installed. Then ensure that the minimum and maximum clearances can be observed as shown in **fig. 3, 4** and **5**.

Caution! – If the results of these checks do not conform to specifications, this model cannot be used to automate your door.

STEP 4**4.1 – PRELIMINARY SET-UP WORK****4.1.1 – Typical reference system**

Fig. 6, 7, 8 provide an example of an automation system set up with the components compatible with this product. These parts are positioned according to a typical standard layout. The following components are used:

- a** - Electromechanical gearmotor
- b** - Carriage sliding guide
- c** - drive carriage
- d** - mechanical stop for carriage travel limit
- e** - carriage manual release knob
- f** - bracket for connection of carriage to door
- g** - pair of photocells (wall-mounted) mod. MOF/MOFO
- h** - radio control keypad (wall-mounted) mod. MOTXR
- i** - portable transmitter mod. FLO4R-S
- l** - Pushbutton

4.1.2 – Establishing positions of components

With reference to **figs. 6, 7, 8**, locate the approximate position for installation of each component envisaged in the system.

4.1.3 – Establishing the device connection layout

With reference to **fig. 10** and **STEP 6** establish the connection layout for all system devices.

4.1.4 – Checking the tools required for the work

Before starting installation, ensure that there is all equipment and materials required for the work concerned (see example in **fig. 9**); also ensure that all items are in good condition and comply with local safety standards.

4.1.5 – Preliminary set-up work

Dig the routes for the ducting used for electrical cables, or alternatively external ducting can be laid, after which the pipelines can be embedded in concrete and other preparation work for the installation can be completed to finalise the site ready for subsequent installation operations.

CAUTION! – Position the ends of the ducting used for electrical cables in the vicinity of the points envisaged for fixture of the various components.

Notes:

- The ducting serves to protect electrical cables and prevent accidental damage in the event of impact.
- The “fixed” control devices must be visible from the door but positioned far from moving parts and at a minimum height of 150 mm.

4.2 – LAYING THE ELECTRIC CABLES

With the exception of the system connection to the mains by means of the plug and socket, the rest of the system runs on very low voltage (approx. 24 V) and therefore laying of electric cables may be performed by personnel with standard skills, provided that all instructions in this manual are strictly observed.

For laying electric cables, refer to **fig. 10** specifying the type of cable to be used for each connection.

WARNINGS:

– While laying the electrical cables, **do NOT make any electrical connections**.

– Arrange for a qualified electrician to install a Shuko 16 A socket, suitably protected, for insertion of the gearmotor power plug. The socket must be positioned so that after connection of the power cable plug, the cable does not hang in the vicinity of mobile parts or hazardous areas.

Technical specifications of electric cables (note 1)

	Devices	Terminals	Function	Cable type	Maximum admissible length
A	Safety photocells	3 - 5	PHOTO input	TX Cable 2 x 0,25 mm ²	20 m (note 2)
				RX Cable 3 x 0,25 mm ²	20 m (note 2)
B	Control pushbutton	3 - 4	Input STEP-STEP	Cable 2 x 0,25 mm ²	20 m (note 2)
C	Safety pushbutton – sensitive edges – etc.	1 - 2	STOP Input	Cable 2 x 0,25 mm ²	20 m (note 2)

Note 1 – The cables required for the set-up of the system (not included in the pack) may vary according to the quantity and type of devices envisaged for the installation..

Note 2 – The connections to terminals 1-2 (Stop), 4-5 (Step-step) and 3-5 (Photo) can be made using a single cable with several internal wires.

CAUTION!– The cables used must be suited to the installation environment; for example a cable type H03VV-F for indoor environments is recommended.

INSTALLATION: COMPONENT ASSEMBLY AND CONNECTIONS

STEP 5

5.1 – INSTALLING THE AUTOMATION COMPONENTS

WARNINGS

• *Incorrect installation may cause serious physical injury to those working on or using the system.*

• *Before starting automation assembly, make the preliminary checks as described in STEP 3.*

After laying the electric cables, proceed with assembly of the mechanical parts of the guides and gearmotor, in the sequence specified below.

01. Insert the guide in the seat on the gearmotor (fig. 11).
02. Insert the travel limit mechanical stop (a) in the guide and move it close to the gearmotor; then position plate (b) onto the stop and secure the assembly by means of a screw (fig. 12). **Note** – *The screw must NOT be tightened excessively as the limit stop must later be moved to its final position.*
03. Use two screws to secure the ends of the chain into the groove on the carriage plate (fig. 13).
04. Join the two carriage plates; insert the screw in the support of the drive pulley; position the drive pulley in the chain and mount the assembly onto the drive bracket with the pin supplied (fig. 14).
05. Insert the chain and carriage inside the guide, taking care to observe the following:
 - Fig. 15-a) position the side of the carriage with the chain fixed with the screws on the same side as the control unit cover;
 - Fig. 15-b) position the carriage to approx. mid-way on the guide.
06. Pass the chain around the pinion of the gearmotor and close the assembly with the protection cover (fig. 16).
07. Insert the bracket on the end of the guide and secure the two elements by means of a nut and washer (fig. 17).
08. Tension the chain by tightening the nut on the screw of the drive bracket (fig. 18). **CAUTION** – *if the chain is tensioned excessively, this may cause excessive stress and damage the gearmotor; if under-tensioned this may cause unpleasant noise.*

09. FOR UP-AND-OVER DOORS ONLY

If the door to be automated is "up-and-over" (projecting or non-projecting - fig. 1), the oscillating arm mod. SPA5 must be fitted (fig. 19). Then proceed with assembly of the various arm components. **IMPORTANT** – *Take care to move the arm as close as possible to the handle of the door.*

For assembly of the drive rod, refer to point 10.

Note – *for assembly of the accessory, follow the instructions supplied in the pack.*

10. **CAUTION!** – *If the door is up-and-over, use the drive rod supplied with the oscillating arm for this operation.*

Before fitting the drive rod, cut this to a length that ensures observance of recommended distance E shown in fig. 3. Then use screws and nuts to

secure one end of the drive rod to the bracket (the one to be fixed to the door or oscillating arm) and the other end to the carriage (fig. 20).

11. Fix one end of the manual release cord to the carriage and the other end to the knob (fig. 21). **Note** – *Ensure that the manual release knob is positioned at a maximum height of 180 cm from the ground.*

IMPORTANT! – Perform the operations below the door CLOSED

12. • **If the door is SECTIONAL:** establish the length of distance B considering the constraints of values A and E (fig. 3).
 - **If the door is UP-AND-OVER:** establish the length of distance B considering the constraints of value F (fig. 4).

Note – *If values A, E or F allow, the automation can also be fixed directly onto the ceiling (minimum 4 mm).*
13. Fold the two ceiling mounting brackets to an "L" and mount in the vicinity of the gearmotor, by means of screws and nuts (fig. 22).

Note – *choose the most suitable hole on the brackets to observe distance B selected in point 12.*

5.2 – FIXING THE AUTOMATION TO THE WALL, CEILING, AND DOOR

After assembly of the guide and gearmotor, fix the automation to the wall, ceiling and door as follows.

01. Using a suitable means of support (ladder, poles or similar) lift the gearmotor from the ground an position at the required height so that the guide brackets are placed against the ceiling and wall above the door (fig. 23). **IMPORTANT** – (fig. 23-a) *align the guide and gearmotor with the vertical axis of the door and perpendicular to the latter (90° angle).* **Note** – *In the case of up-and-over doors, the guide must be aligned with the oscillating arm.*

Also ensure observance of the values A, B, E in fig. 3 and values B, F in fig. 4.
02. Check the position of the guide, which must be perfectly horizontal, and mark the 4 bracket fixture points, after which drill the relative holes and insert the plugs (fig. 24).
03. Fix the automation to the ceiling and wall using screws and plugs suited to the support material (fig. 25).

Notes:

 - *Depending on the type of wall, the bracket at the end of the guide can be fixed by means of the rivets or screws and plugs.*
 - *Take care when choosing the method of bracket fixture to the ceiling, taking into account the following:*
 - *the bracket at the end of the guide must withstand the force required to open and close the door;*
 - *the ceiling mounted brackets must withstand the weight of the gearmotor.*

In both cases possible wear and deformation over time must be taken into account.
04. Use a saw to cut off the excess section of the ceiling-mounted brackets (fig. 26).
05. (With the door closed) Pull the release knob and slide the carriage until the anchoring bracket is positioned on the upper edge of the sectional door, or until it reaches the connection of the oscillating arm (up-and-over door). Then align the drive rod along the trajectory of the guide and fix the bracket to the door using rivets or screws suited to the door material (fig. 27).

06. Slightly loosen the travel limit mechanical stop screw and manually open the door until it reaches the maximum *Opening* position (fig. 28).
07. Move the travel limit mechanical stop up against the carriage. Then tighten the travel limit mechanical stop screw fully down (fig. 29).
Note – During normal operation the carriage stops a few centimetres before the mechanical stop.
08. To re-block the door, close it manually until it clicks firmly into place.

STEP 6

After installing all devices in the system – each in the position specified in STEP 4 – connect each device to the control unit as follows.

CAUTION! – *Incorrect connections can cause faults or hazards; therefore ensure that the specified connections are strictly observed.*

01. Use a screwdriver to loosen the screw on the control unit cover and extract the cover (fig. 30), to access the terminals for electrical connections of the control unit.
02. Use the same screwdriver to open the slots required for routing the electric cables (fig. 31) from the various devices in the system.
03. Then connect the electric wires of the system devices to the control unit using the terminal board with five terminals (fig. 32).

CAUTION – The section of electric cable connecting terminals 3 and 5 must only be removed if photocell installation is envisaged.

For correct connections, proceed as follows:

• To connect a pair of photocells with safety function

One or more pairs of photocells with a safety function must be installed on the system. If several pairs of photocells are installed, these must be connected *in series*, and the chain must be connected to terminals **3** and **5** on the control unit. The connect the power supply to terminals **2** and **3** (see example in fig. 33 and fig. 34).

During the Closing manoeuvre, activation of these photocells causes shut-down of the manoeuvre and immediate inversion of movement.

• To connect a NO type pushbutton used for manoeuvre control

An "NO" type pushbutton can be installed on the system, i.e. "normally open" to control manoeuvres in "step-step" mode (for details on this mode, see STEP 9). Connect this pushbutton to terminals **3** and **4** on the control unit.

Note – If several pushbuttons are installed to control manoeuvres, connect these in parallel as shown in the example in fig. 35 and fig. 36.

• To connect safety devices other than photocells

As well as photocells, the system can also be equipped with other safety devices with different types of contact. These are:

- devices with "normally open" contact ("NO");
- devices with "normally closed" contact ("NC");
- devices with constant resistance 8,2 K Ω .

These devices can be connected to terminals **1** and **2** on the control unit; also more than one device can be connected to the same terminals as described below:

A) – to connect a series of "NO" type devices, use a "parallel" connection layout as shown the example in fig. 37.

B) – to connect a series of "NC" devices, use a connection layout "in series" as shown in the example in fig. 38.

C) – to connect a series of devices with constant resistance 8,2 K Ω , use a "parallel" connection layout, positioning the resistance (8,2K Ω) on the last device, as shown in the example in fig. 39.

D) – to connect a series of devices with different contact types ("NO", "NC" and constant resistance 8,2 K Ω), use a connection layout in series and in parallel as shown in the example in fig. 40.

Note – Only the safety devices with an output with constant resistance 8,2 K Ω guarantee safety category 3 against faults according to the standard EN 954-1.

Activation of these safety devices stops the manoeuvre in progress and a brief inversion of movement.

• Powering devices other than those specified in this chapter

As well as those mentioned, the system can also be equipped with other safety devices such as a universal relay receiver. These devices must be connected to terminals **2** and **3** on the control unit. **Caution!** – There is a 24 Vdc power voltage on terminals 2 and 3 with delivery of a current of 100 mA. The total absorbed current of the various devices connected to these terminals must not exceed this value.

WARNING – On completion of connections, secure all cables using special clamps and refit the cover on the control unit.

POWER SUPPLY CONNECTION

STEP 7

WARNINGS!

– The PVC power cable supplied is suitable for indoor installations.

The final connection of the automation to the electrical mains, must be performed by a qualified electrician, in compliance with local standards and the instructions in the section "Tasks reserved for qualified technicians".

To perform the automation operation and programming tests, insert the **power plug of the control unit** (supplied) in a mains socket (fig. 41). If the socket is far from the automation, use a suitable extension lead.

INITIAL START-UP AND ELECTRICAL CONNECTION CHECK

STEP 8

CAUTION! *The following operations described in this manual will be performed on live electrical circuits and therefore manoeuvres may be hazardous! Therefore proceed with care.*

After powering up the control unit (fig. 41) perform the following operations, checking conformity of results:

- Immediately after start-up, the red led (fig. 42) flashes quickly for a few seconds, after which the red and green leds light up alternately; then the green led turns off and the red led continues flashing at regular intervals every second (= control unit operating status OK).

CAUTION! - If the red led does not flash as described above, disconnect the Control unit from the power supply and carefully check all connections (refer also to the paragraph "What to do if...").

- If the system is equipped with photocells, check the RX element to ensure that the led is OFF (= operation OK) or ON (= obstacle present). If the Led is flashing, this means that the signal is poor and subject to incorrect photocell alignment.

- If the system is equipped with a radio control keypad, check operation with reference to the relative instruction manual.

PROGRAMMING THE AUTOMATION

STEP 9

A WARNINGS for programming:

- Always read the procedure **first and then perform** the operations *in the correct sequence*, without leaving more than 10 seconds between releasing one key and pressing the next.
- In this manual the transmitter keys are identified by means of numbers. To check the correspondence of **numbers** and the transmitter keys see **fig. 43**.

9.1 – MEMORISATION OF TRANSMITTER MOD. FLO4R-S

To enable control of the automation with the transmitter, the keys must be memorised in the control unit memory.

Memorisation enables the association of each key with the required command, selecting from the following:

1 = Step-Step: Corresponds to the sequence ... *Open - Stop - Close - Stop* ... The first command activates Opening; the next, with the leaf moving, activates Stop; the third activates *Closure*; the fourth with the door moving activates *Stop* and so on...

2 = Step-Open: Corresponds to the sequence ... *Open - Stop - Close - Open* ... The first command activates Opening; the next, with the leaf moving, activates *Stop*; the third activates *Closure*; the fourth with the door moving activates *Open* and so on...

3 = Partial open: corresponds to a brief opening of the door. This command is only enabled if the door is completely closed.

4 = Courtesy light: ... *On - Off - On* ...

A single procedure memorises a **single key** of the transmitter; this can be memorised both on the present control unit and on control units of other automations. The control unit memory can memorise up to 150 keys. For each key to be memorised, repeat the following procedure.

01. Select which transmitter **key** is to be memorised (for example: *Key T3*).
02. Decide on the **command** (from those listed below) to be associated with the selected key (for example: *Command "2"*).
03. Press "P1" (on the Control unit) the same number of times as the selected command number (in the example "2", i.e. twice) and check that the green led emits the same number of quick flashes (repeated at regular intervals).
04. (within 10 seconds) Press and hold the transmitter key to be memorised for at least 2 seconds (in the example, key T3).

If the memorisation procedure is successful, the green led emits 3 long flashes (= memorisation OK). *Note – Before the 10 second interval elapses, the key of a NEW transmitter with the same command can be memorised (useful, for example, when several transmitters need to be memorised on the same control unit).*

Otherwise wait until the green led turns off (= procedure completed) and for the red led to resume flashing at regular intervals.

9.2 – MEMORISING THE DOOR "OPENING" AND "CLOSING" TRAVEL LIMIT POSITIONS

The "Closing" limit position (**B** - fig. 44) corresponds to the maximum door closing position and the "Opening" limit position (**A** - fig. 44) to maximum opening.

In this installation phase, the control unit must memorise the maximum door "Closing" and "Opening" positions and the configuration of the STOP input, using the following procedure:

CAUTION! – The following operations must be performed using exclusively key P1 on the gearmotor control unit.

01. Ensure that the drive carriage is engaged.
02. Press and hold "P1" on the Control unit (for approx. 5 seconds) until the red light illuminates, then release.
03. At this point the control unit independently starts 3 consecutive manoeuvres (*Closing – Opening – Closing*) to automatically memorise the two travel limit positions. *Note – During the 3 manoeuvres, the courtesy light flashes.*

Caution! – During the 3 manoeuvres, if a safety devices is activated or P1 is pressed, the control unit interrupts and automatically cancels the entire procedure. In this case the entire procedure needs to be repeated.
04. Lastly, use the transmitter key T1 activate 3 or 4 complete Opening and Closing manoeuvres (these manoeuvres are required for the control unit to memorise the **force** values required to move the door at all points of travel).

Caution! – These manoeuvres must not be interrupted; should this occur, the entire procedure must be repeated.

CAUTION! – During the position search process, if the chain on the pinion pulley of the motor emits a rhythmic noise, indicating that tensioning is

insufficient. In this case, interrupt the procedure by pressing "P1" on the control unit: then tension the chain by tightening nut and repeat the procedure from the beginning.

This procedure can be repeated at any time: for example after a mechanical travel stop has been moved on the guide.

ADJUSTMENTS AND OTHER OPTIONAL FUNCTIONS

The control unit has a number of optional functions to enable the user to add specific functionalities to the automation, thus personalising the product according to special needs.

10 – AUTOMATION OPERATION ADJUSTMENT

To personalise operation of the automation, a number of functions can be enabled or disabled, also with the option for modifications to settings as required. The functions are:

- **AUTOMATIC CLOSURE.** When this function is enabled, at the end of the *Opening* manoeuvre command by the user, the control unit automatically closes the door again after a set time interval.
- **MOVEMENT SPEED.** This function enables entry of the required speed of the automation implemented to move the door.
- **SENSITIVITY TO OBSTACLES.** During a manoeuvre, if an obstacle accidentally stops door movement (a gust of wind, a vehicle, person etc.) this function promptly detects the increase in motor stress to contract the obstacle and activates immediate and brief inversion of movement.
- **PRESSURE DISCHARGE.** At the end of the *Closing* manoeuvre, after the door has closed completely, the motor continues to "push" the door for a brief interval, to ensure perfect closure. Immediately afterwards, this function activates a very brief inversion of movement, to reduce excessive pressure exerted by the motor on the door.

The values of these functions can be set according to personal requirements using the following procedure with a transmitter that has at least one key already memorised on the control unit.

Note – During this procedure, each time a key is pressed the courtesy light illuminates briefly.

01. Press and hold the keys "T1" and "T2" simultaneously on the transmitter for at least 5 seconds, after which release. The two leds (green and red) on the Control unit flash to indicate entry to function programming mode (the leds continue to flash throughout the procedure).
02. Press and hold a transmitter key (already memorised on that of the control unit) for at least 1 second (the green Led emits one flash).
03. Then select one of the four functions available and on the transmitter press the key associated with the function for at least 1 second (the green Led emits one flash):
 - Automatic closure = (press key "T1")
 - Movement speed = (press key "T2")
 - Sensitivity to obstacles = (press key "T3")
 - Pressure discharge (= press key "T4")
04. Lastly, refer to **Table 4**, select the required value in correspondence with the selected function and on the transmitter press the key associated with the selected value for at least 1 second (the green and red Leds emit one confirmation flash).

Notes to Table 4:

– The Table states the values available for each of the 4 special functions and the corresponding key to be pressed on the transmitter for selection of the specific value.

– The factory settings are highlighted in grey.

TABLE 4**AUTOMATIC CLOSURE**

No closure → (press key "T1")

Closure after 15 seconds → (press key "T2")

Closure after 30 seconds → (press key "T3")

Closure after 60 seconds → (press key "T4")

MOVEMENT SPEED

Low Opening / Low closing → (press key "T1")

Low Opening / Fast closing → (press key "T2")

Fast Opening / Low closing → (press key "T3")

Fast Opening / Fast closing → (press key "T4")

SENSITIVITY TO OBSTACLES

High → (press key "T1")

Medium high → (press key "T2")

Medium low → (press key "T3")

Low → (press key "T4")

PRESSURE DISCHARGE

No discharge → (press key "T1")

Minimum → (press key "T2")

Medium → (press key "T3")

Maximum → (press key "T4")

11 – MEMORISING A NEW TRANSMITTER WITH PROCEDURE IN THE VICINITY OF THE CONTROL UNIT [with a transmitter already memorised]

A NEW transmitter can be memorised in the control unit memory without acting directly on key P1 of the control unit, but by simply working within its reception range. To use this procedure, an OLD transmitter, previously memorised and operative, is required. The procedure enables the NEW transmitter to receive the settings of the OLD version.

Warning – The procedure must be performed within the reception range of the receiver (maximum 10-20 m from receiver).

01. On the NEW transmitter, press and hold the key to be memorised for at least **5 seconds** and then release.

02. On the OLD transmitter, slowly press the control key to be memorised on the other transmitter **3 times**.

03. On the NEW transmitter, press the same key pressed in point 01 **once**.

Note – Repeat the same procedure for each key to be memorised.

12 – DELETING DATA FROM THE CONTROL UNIT MEMORY

Data in the control unit memory can be deleted partially or totally as required. To do this, the following procedures can be used, as required:

- Deletion of a command on a transmitter already memorised
- Deletion of other data memorised on the control unit

Deleting a command on a transmitter already memorised

The following procedure enables deletion of a single command assigned to a transmitter key from the control unit **memory**.

Note – During the procedure, the red and green leds remain permanently lit.

01. Press and hold the key "P1" on the Control unit for at least **10 seconds**: the green Led illuminates first, then the red led illuminates after 5 seconds and then both, to indicate that the Control unit has entered memory deletion mode (**WARNING! do not release the key P1!**).

02. Without releasing key P1 press the transmitter key to be deleted: if the control unit recognises this operation, the green led emits a short flash, after which the P1 key and transmitter key can be released.

Deleting other data memorised on the control unit

The following procedure enables deletion of various types of memorised data from the control unit **memory**, as specified in **Table 5**.

Note – During the procedure, the red and green leds remain permanently lit.

01. Press and hold the key "P1" on the Control unit for at least **10 seconds**: the green Led illuminates first, then the red led illuminates after 5 seconds and then both, to indicate that the Control unit has entered memory deletion mode. Then release the key.

02. With reference to **Table 5**, select the data to be deleted and press **P1** the same number of times as the number of presses specified in brackets (the green led emits one flash each time the P1 key is pressed).

03. 5 seconds after the key "P1" is pressed for the last time, if deletion is successful, both leds (red and green) flash quickly (= memory deleted!).

Note – Before deletion, there is a margin time of 5 seconds, in which the user has the option to change decision and exit the procedure without deleting data by pressing key P1 five times.

IMPORTANT! - After deletion of the "Memory of Closing and Opening limit positions" and "TOTAL Memory", the procedure 9.2 – "Learning the Closing and Opening limit positions" must be repeated.

TABLE 5

- Memory of Optional Function values (= **1 press**)
- Memory of "Closing" and "Opening" limit positions (= **2 presses**)
- Memory of Transmitters (= **3 presses**)
- TOTAL memory (= **4 presses**) **Note** – deletes the first three memories in one process

During normal operation, the control unit constantly monitors the automation processes and is designed to indicate any faults that arise, by means of a pre-set sequence of flashes emitted by the courtesy light and red led "L1" on the control unit (the diagnostics flashes always refer to the last action performed by the automation). For an explanation of the number of flashes and associated cause, refer to **Table 6** below:

Flashes	Problem	Solution
2 flashes - pause - 2 flashes	During the <i>Closing</i> manoeuvre, the door stops and inverts the current movement.	This reaction is caused by the activation of a specific pair of photocells in the system, on detection of an obstacle. Therefore remove the obstacle on the trajectory of these photocells.
3 flashes - pause - 3 flashes	During the <i>Opening</i> or <i>Closing</i> manoeuvre the door blocks suddenly and the control unit activates a <u>brief</u> inversion of the manoeuvre in progress	The leafs are subject to increased friction due to a sudden obstruction (gust of wind, vehicle, person etc.). If adjustment to sensitivity is required, refer to the Chapter " Adjustments and other optional Functions ".
4 flashes - pause - 4 flashes	During the <i>Opening</i> or <i>Closing</i> manoeuvre the door blocks suddenly and the control unit activates a <i>Stop</i> followed by a brief inversion of movement.	A safety device installed (other than photocells, such as sensitive edges) has detected a sudden obstacle. Therefore remove the obstacle.
5 flashes - pause - 5 flashes	The automation does not respond to commands.	There is a system configuration error. Delete the entire memory of the control unit and repeat installation.
6 flashes - pause - 6 flashes	After a series of manoeuvres sent consecutively, the automation is blocked.	The maximum admissible number of consecutive manoeuvres has been exceeded, causing excessive overheating. Wait for a few minutes to enable the temperature to return below the maximum limit.
7 flashes - pause - 7 flashes	The automation does not respond to commands.	Error in internal electric circuits. Disconnect all power circuits, wait a few seconds and then re-connect. Retry a command; if the automation does not respond this may indicate a serious fault with the electrical board of the control unit or motor wiring. Check and make replacements as necessary.



Tasks reserved for qualified technicians

CAUTION! – All operations in this section must be performed exclusively by skilled and qualified personnel, in observance of the instructions in the manual, and current local legislation and safety standards in the place of installation.

CONNECTING THE AUTOMATION TO THE ELECTRICAL MAINS

CAUTION!– When making this connection, the electrical mains power line must be equipped with short-circuit protection device (between the automation and the mains).

The electrical mains line must also be equipped with a power disconnect device (with overvoltage category III, i.e. minimum gap between contacts of 3 mm) or an equivalent system such as socket with removable plug.

This device, when necessary, guarantees fast and safe disconnection of the power supply and therefore must be placed in a location visible from the automation. If the power disconnect device is not in the vicinity of the automation and not visible from the latter, it must be fitted with a lockout facility to prevent inadvertent or unauthorised connection.

Note – The disconnect devices are not supplied with the product.

AUTOMATION TESTING AND COMMISSIONING

These are the most important phases of automation set-up to ensure maximum system safety. The testing procedure described can also be performed as a periodic check of automation devices.

Testing and commissioning of the automation must be performed by skilled and qualified personnel, who are responsible for the tests required to verify the solutions adopted according to the risks present, and for ensuring observance of all legal provisions, standards and regulations, and in particular all requirements of the standard EN 12445, which establishes the test methods for checking automations for garage doors.

AUTOMATION TESTING

1 Ensure that all specifications in STEP 1 regarding safety have been strictly observed.

2 Using the transmitter, perform door opening and closing tests and ensure that the movement corresponds to specifications.

Test several times to assess smooth operation of the door and check for any defects in assembly or adjustment and any possible points of friction.

3 Check operation of all system safety devices one at a time (photocells, sensitive edges, etc.). Photocells: Activate the device during a *Closing* manoeuvre and check that the control unit stops the manoeuvre and activates a total inversion of the movement (the courtesy light emits 2 flashes, twice). Sensitive edges: Activate the device during an *Opening* or *Closing* manoeuvre and check that the control unit stops the manoeuvre and activates a short inversion of the movement (the courtesy light emits 4 flashes, twice).

4 To check the photocells, and to ensure there is no interference with other devices, pass a cylinder (diameter 5 cm, length 30 cm) through the optic axis joining the pair of photocells (fig. 45): pass the cylinder first close to the TX photocell, then close to the RX and lastly at the centre between the two. Ensure that in all cases the device engages, changing from the active status to alarm status and vice versa, and that the envisaged action is generated in the control unit (for example movement inversion in the *Closing* manoeuvre).

5 Measure the force as specified in the standard EN 12445. If the motor force control is used as an auxiliary function for reduction of impact force, test and identify the setting that obtains the best results.

6 Activate a *closing* manoeuvre and check impact force of the door against the floor surface. If necessary, test by discharging pressure to obtain the best results.

AUTOMATION COMMISSIONING

Commissioning can only be performed after positive results of all test phases. Partial or "makeshift" commissioning is strictly prohibited.

1 Prepare the automation technical documentation, which must contain the following documents: Overall layout drawing (see example in fig. 6, 7, 8), electrical wiring diagram (see example in STEP 6), risk assessment and relative solutions adopted (see forms to be compiled on the website www.niceforyou.com), manufacturer's declaration of conformity for all devices used

and the declaration of conformity compiled by the installer (see section TECHNICAL DOCUMENTATION).

- 2 Affix a dataplate on the door, specifying at least the following data: type of automation, name and address of manufacturer (responsible for commissioning), serial number, year of construction and CE mark.
- 3 Prepare and provide the owner with the declaration of conformity; the **"CE Declaration of conformity"** in the section TECHNICAL DOCUMENTATION must be compiled for this purpose.
- 4 Prepare and provide the owner with the form **"Operation manual"** in the section TECHNICAL DOCUMENTATION.
- 5 Prepare and provide the owner with the form **"Maintenance schedule"** in the section TECHNICAL DOCUMENTATION, containing all maintenance instructions for all devices in the automation.
- 6 Before commissioning the automation, ensure that the owner is adequately informed of all associated risks and hazards.
- 7 Permanently affix a label or plate on the door with the image shown in **fig. 46** (minimum height 60 mm) bearing the text **"CAUTION: RISK OF CRUSHING"**.

PERIODIC MAINTENANCE OPERATIONS

In general, this product does not require special maintenance; however, regular checks over time will ensure system efficiency and correct operation of the safety systems installed.

Therefore to ensure correct maintenance, refer to the chapter **"Maintenance Schedule"** in the section "TECHNICAL DOCUMENTATION" at the end of the manual.

PRODUCT DISPOSAL

This product is an integral part of the automation and therefore must be disposed together with the latter.

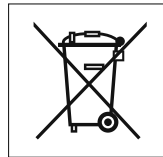
As in installation, also at the end of product lifetime, the disassembly and scrapping operations must be performed by qualified personnel.

This product comprises various types of materials: some may be recycled others must be disposed of. Seek information on the recycling and disposal systems envisaged by the local regulations in your area for this product category.

Caution! – some parts of the product may contain pollutant or hazardous substances which, if disposed of into the environment, may cause serious damage to the environment or physical health.

As indicated by the symbol alongside, disposal of this product in domestic waste is strictly prohibited. Separate the waste into categories for disposal, according to the methods envisaged by current legislation in your area, or return the product to the retailer when purchasing a new version.

Caution! – Local legislation may envisage serious fines in the event of abusive disposal of this product.



CE DECLARATION OF CONFORMITY

Declaration in accordance with Directives: 1999/5/EC (R&TTE), 2004/108/EC (EMC); 2006/42/EC (MD) annex II, part B

Note - The content of this declaration corresponds to the declaration made in the official document filed in the offices of Nice S.p.a., and particularly the latest version thereof available prior to the printing of this manual. The text contained here has been adapted to meet editorial requirements. A copy of the original declaration may be requested from Nice S.p.a. (TV) I.

Declaration number: 290/SHEL	Revision: 2	Language: EN
Name of manufacturer:	NICE S.p.A.	
Address:	Via Pezza Alta 13, Rustignè Industrial Zone, 31046 Oderzo (TV) Italy	
Person authorized to provide technical documentation:	Mr. Oscar Marchetto.	
Product type:	Electro-mechanical gearmotor and relative accessories	
Model / Type:	SHEL50, SHEL75	
Accessories:	Radio controls of the series FLO, FLOR, Smilo	

The undersigned Luigi Paro, as Managing Director, hereby declares under his own responsibility that the products identified above comply with the provisions of the following directives:

- Directive 1999/5/CE OF THE EUROPEAN PARLIAMENT AND COUNCIL dated March 9 1999 regarding radios and communications terminals and reciprocal recognition of their conformity in accordance with the following harmonized standards:
 - Protection of health (art. 3(1)(a)): EN 50371:2002
 - Electrical safety (art. 3(1)(a)): EN 60950-1:2006
 - Electromagnetic compatibility (art. 3(1)(b)): EN 301 489-1 V1.8.1:2008, EN 301 489-3 V1.4.1:2002
 - Radio spectrum (art. 3(2)): EN 300 220-2 V2.1.2:2007
- DIRECTIVE 2004/108/EC OF THE EUROPEAN PARLIAMENT AND COUNCIL of December 15 2004 concerning alignment of Member States' legislation regarding electromagnetic compatibility and abrogating directive 89/336/EEC, according to the following harmonized standards: EN 61000-6-2:2005, EN 61000-6-3:2007

The product also complies with the following directive in accordance with the requirements for "quasi-machines" :

- Directive 2006/42/EC OF THE EUROPEAN PARLIAMENT AND COUNCIL of May 17 2006 regarding machines and amending directive 95/16/EC (consolidated text)
 - I declare that the pertinent technical documentation has been prepared in accordance with Annex VII B to Directive 2006/42/EC and that the following essential requirements have been met: 1.1- 1.1.2- 1.1.3- 1.2.1-1.2.6- 1.5.1-1.5.2- 1.5.5- 1.5.6- 1.5.7- 1.5.8- 1.5.10- 1.5.11
 - The manufacturer agrees to send the national authorities pertinent information on the "quasi-machine" in response to a motivated request without affecting its intellectual property rights.
 - If the "quasi-machine" is operated in a European country with an official language other than the language used in this declaration, the importer must associate a translation with this declaration.
 - The "quasi-machine" must not be operated until the final machine in which it is to be incorporated is declared to conform to the provisions of Directive 2006/42/EC, if applicable to it.

The product also complies with the following standards: EN 60335-1:2002 + A1:2004 + A11:2004 + A12:2006 + A2:2006 + A13:2008; EN 60335-2-103:2003

The parts of the product which are subject to the following standards comply with them: EN 13241-1:2003, EN 12445:2002, EN 12453:2002, EN 12978:2003

Oderzo, May 23 2011

Mr. Luigi Paro (Managing Director)

WARNINGS:

- The product SHELKIT50 - SHELKIT75 is produced by Nice S.p.a. (TV) I.
- All technical specifications stated in this section refer to an ambient temperature of 20°C (± 5°C).
- Nice S.p.a. reserves the right to apply modifications to the product at any time when deemed necessary, while maintaining the same functionalities and intended use.

GEARMOTORS:	SHELKIT50	SHELKIT75
Technology adopted	24 V motor	
Power supply	230 Vac 50/60 Hz	
Maximum start-up torque	9 Nm	12 Nm
Nominal torque	6 Nm	7,5 Nm
Maximum thrust	500 N	750 N
Nominal thrust	350 N	450 N
Maximum power	200 W	280 W
Movement speed	0.07 ÷ 0.13 m/s	0.08 ÷ 0.14 m/s
Maximum continuous operation time	4 minutes	
No. Cycles per hour at nominal torque (20°)	8	
Ambient operating temperature	-20° C ÷ +50° C	
Dimensions	305 x 109 h x 130 (mm)	
Weight	4 kg	
Insulation class	1	
Courtesy light	12 V / 10 W fitting BA15	
STOP Input	For normally open, normally closed or constant resistance 8,2 KΩ contacts; in self-learning (a variation with respect to the memorised status causes the command "STOP").	
STEP-STEP Input	For normally open contacts	
PHOTO input	For safety devices with normally closed contacts	
Radio receiver	Built-in	
Programmable functions	4 programmable functions (see paragraph 6.3) Self learning of type of STOP device (NO contact, NC contact or 8,2 KΩ resistance)	
Functions in self-learning mode	Self-learning of door opening and closing positions and calculation of deceleration and partial open points.	
Use in particularly acid or saline potentially explosive atmospheres	No	
Protection class	IP 40 use indoors or in protected environments	
Estimated durability (*)	From 40.000 to 80.000 manoeuvre cycles	

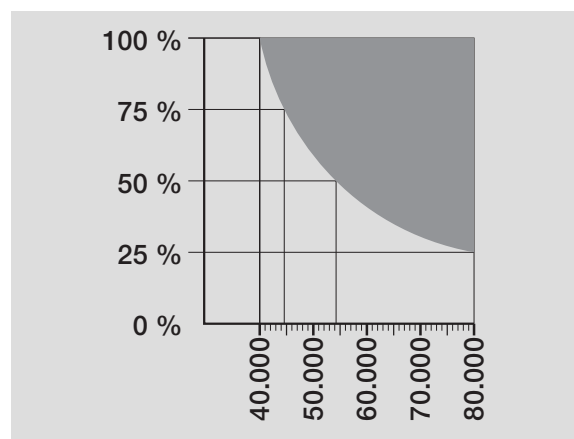
(*) Note – The estimated product durability ranges from 40.000 to 80.000 manoeuvre cycles. To calculate the probable durability of your automation proceed as follows:

a) – evaluate the conditions of use and force levels involved on your system, for example:

- the weight and length of the garage door;
- perfect balancing of the garage door;
- maintenance conditions of the garage door hinges;
- type of leaf: Solid or with many openings;
- the presence of strong winds;
- frequency of automation use.

b) – from these values, obtain a value expressed as a percentage which, in general, defines the greatest or smallest degree of automation wear.

c) – on the graph alongside, locate the estimated percentage (at point "b") and read the corresponding number of manoeuvre cycles.



TRANSMITTER FLO4R-S

DESCRIPTION	DATA
Type	4-channel transmitter for radio control
Frequency	433.92 MHz
Encoding	Rolling code with 52 Bit code type FLOR
Keys	4
Radiated power	100 μW
Power supply	12 Vdc with battery type 23 A
Battery lifetime	1 year, estimated on the basis of 20 commands/day of the duration of 1s at 20°C (battery efficiency is reduced at low temperatures)
Ambient operating temperature	-40°C ÷ 85°C
Protection class	IP 40 (use in the home or protected environments)
Dimensions	72 x 40 h x 18 mm
Weight	30 g

AVVERTENZE E PRECAUZIONI GENERALI PER LA SICUREZZA**PASSO 1**

- Operare in condizioni di sicurezza! 2
- Avvertenze per l'installazione 2

CONOSCENZA DEL PRODOTTO E PREPARAZIONE ALL'INSTALLAZIONE**PASSO 2**

- 2.1 - Descrizione del prodotto e destinazione d'uso 2
- 2.2 - Componenti utili per realizzare un impianto completo 3

PASSO 3

- Verifiche preliminari all'installazione 3
- 3.1 - Verificare l'idoneità dell'ambiente e del portone da automatizzare 3
- 3.2 - Verificare i limiti d'impiego del prodotto 3

PASSO 4

- 4.1 - Lavori preliminari di predisposizione 3
 - 4.1.1 - *Impianto tipico di riferimento* 3
 - 4.1.2 - *Stabilire la posizione dei vari componenti* 3
 - 4.1.3 - *Stabilire con quale schema collegare i dispositivi* 3
 - 4.1.4 - *Verificare gli attrezzi necessari per effettuare il lavoro* 3
 - 4.1.5 - *Eseguire i lavori di predisposizione* 3
- 4.2 - Posa dei cavi elettrici 3

INSTALLAZIONE: MONTAGGIO E COLLEGAMENTO DEI COMPONENTI**PASSO 5**

- 5.1 - Installare i componenti dell'automazione 4
- 5.2 - Fissare l'automazione alla parete, al soffitto e al portone 4

PASSO 6

- Effettuare l'installazione e il collegamento dei dispositivi presenti nell'impianto 5

ALLACCIAMENTO DELL'ALIMENTAZIONE

- PASSO 7** 5

PRIMA ACCENSIONE E VERIFICA DEI COLLEGAMENTI ELETTRICI

- PASSO 8** 5

PROGRAMMAZIONE DELL'AUTOMAZIONE**PASSO 9**

- 9.1 - Memorizzazione del trasmettitore mod. FLO4R-S 6
- 9.2 - Memorizzazione delle posizioni di finecorsa in "Apertura" e "Chiusura" del portone 6

REGOLAZIONI E ALTRE FUNZIONI OPZIONALI

- 10 - Regolazione del funzionamento dell'automazione 6
- 11 - Memorizzazione di un nuovo trasmettitore con la procedura 'in vicinanza' della Centrale 7
- 12 - Cancellazione dei dati presenti nella memoria della Centrale 7

- COSA FARE SE...** (guida alla risoluzione dei problemi) 8

ATTIVITÀ RISERVATE AD UN TECNICO QUALIFICATO

- Collegamento dell'automazione alla rete elettrica 8
- Collaudo e messa in servizio dell'automazione 8
- Smaltimento del prodotto 9
- Dichiarazione CE di conformità 9

- CARATTERISTICHE TECNICHE DEI VARI COMPONENTI DEL PRODOTTO** 10

- MANUALE D'USO** II

- IMMAGINI** VIII - XIV

AVVERTENZE E PRECAUZIONI GENERALI PER LA SICUREZZA

PASSO 1

OPERARE IN CONDIZIONI DI SICUREZZA!

⚠ Attenzione – per la sicurezza delle persone è importante rispettare queste istruzioni.

⚠ Attenzione – Istruzioni importanti per la sicurezza: quindi, conservare queste istruzioni.

La progettazione, la fabbricazione dei dispositivi che compongono il prodotto e le informazioni contenute nel presente manuale rispettano pienamente le normative vigenti sulla sicurezza. Ciò nonostante, un'installazione e una programmazione errata possono causare gravi ferite alle persone che eseguono il lavoro e a quelle che useranno l'impianto. Per questo motivo, durante l'installazione, è importante seguire attentamente tutte le istruzioni riportate in questo manuale.

Non procedere con l'installazione se si hanno dubbi di qualunque natura e richiedere eventuali chiarimenti al Servizio Assistenza Nice.

Se questa è la prima volta che vi apprestate a realizzare un'automazione per portoni da garage ("sezionali" o "basculanti"), vi consigliamo di dedicare un po' del vostro tempo alla lettura del presente manuale. Ciò è preferibile farlo prima di iniziare il lavoro, senza avere fretta di iniziare con le operazioni pratiche. Inoltre, tenere a portata di mano tutti i dispositivi che compongono il prodotto affinché possiate leggere, provare e verificare (ad esclusione delle fasi di programmazione) tutte le informazioni contenute nel manuale.

Nel leggere questo manuale occorre prestare molta attenzione alle istruzioni contrassegnate con il simbolo:



Questi simboli indicano argomenti che possono essere fonte potenziale di pericolo e pertanto, le operazioni da svolgere **devono essere realizzate esclusivamente da personale qualificato ed esperto**, nel rispetto delle presenti istruzioni e delle norme di sicurezza vigenti sul proprio territorio.

⚠ AVVERTENZE PER L'INSTALLAZIONE

Secondo la più recente legislazione europea, la realizzazione di un portone da garage deve rispettare le norme previste dalla Direttiva 98/37/CE (Direttiva Macchine) e in particolare, le norme EN 12445; EN 12453; EN 12635 e EN 13241-1, che consentono di dichiarare la presunta conformità dell'automazione.

In considerazione di ciò,

il collegamento definitivo dell'automatismo alla rete elettrica, il collaudo dell'impianto, la sua messa in servizio e la manutenzione periodica **devono essere eseguiti da personale qualificato ed esperto**, rispettando le istruzioni riportate nel riquadro "Attività riservate ad un tecnico qualificato". Inoltre, egli dovrà farsi carico di stabilire anche le prove previste in funzione dei rischi presenti e dovrà verificare il rispetto di quanto previsto da leggi, normative e regolamenti: in particolare, il rispetto di tutti i requisiti della norma EN 12445 che stabilisce i metodi di prova per la verifica degli automatismi per portoni da garage.

Invece, riguardo i lavori di predisposizione iniziale, d'installazione e di programmazione, questi possono essere effettuati anche da personale non particolarmente qualificato, purché vengano rispettate scrupolosamente e nell'ordine progressivo indicato, tutte le istruzioni riportate in questo manuale e, in particolare, le avvertenze di questo PASSO 1.

Prima di iniziare l'installazione, effettuare le seguenti analisi e verifiche:

– verificare che i singoli dispositivi destinati all'automazione siano adatti all'impianto da realizzare. Al riguardo, controllare con particolare attenzione i dati riportati nel capitolo "Caratteristiche tecniche". Non effettuare l'installazione se anche uno solo di questi dispositivi non è adatto all'uso.

– verificare se i dispositivi presenti nel kit sono sufficienti a garantire la sicurezza dell'impianto e la sua funzionalità.

– eseguire l'analisi dei rischi che deve comprendere anche l'elenco dei requisiti essenziali di sicurezza riportati nell' "allegato I della Direttiva Macchine", indicando le relative soluzioni adottate. Si ricorda che l'analisi dei rischi è uno dei documenti che costituiscono il "fascicolo tecnico" dell'automazione. Questo dev'essere compilato da un installatore professionista.

Considerando le situazioni di rischio che possono verificarsi durante le fasi di installazione e di uso del prodotto è necessario installare l'automazione osservando le seguenti avvertenze:

– non eseguire modifiche su nessuna parte dell'automatismo se non quelle previste nel presente manuale. Operazioni di questo tipo possono solo causare malfunzionamenti. Il costruttore declina ogni responsabilità per danni derivanti

da prodotti modificati arbitrariamente.

– evitare che le parti dei componenti dell'automazione possano venire immerse in acqua o in altre sostanze liquide. Durante l'installazione evitare che i liquidi possano penetrare all'interno del motoriduttore e dei dispositivi presenti.

– se sostanze liquide penetrano all'interno delle parti dei componenti dell'automazione, scollegare immediatamente l'alimentazione elettrica e rivolgersi al Servizio Assistenza Nice. L'utilizzo dell'automazione in tali condizioni può causare situazioni di pericolo.

– non mettere i vari componenti dell'automazione vicino a fonti di calore né esporli a fiamme libere. Tali azioni possono danneggiarli ed essere causa di malfunzionamenti, incendio o situazioni di pericolo.

– tutte le operazioni che richiedono l'apertura del guscio di protezione dei vari componenti dell'automazione, devono avvenire con la Centrale scollegata dall'alimentazione elettrica. Se il dispositivo di sconnessione non è a vista, apporvi un cartello con la seguente dicitura: "ATTENZIONE! MANUTENZIONE IN CORSO".

– la pulsantiera di comando a parete deve essere posizionata in vista dell'automazione, lontano dalle sue parti in movimento, ad un'altezza minima di 1,5 m da terra e non accessibile al pubblico.

– verificare che non vi siano rischi di schiacciamento durante la manovra di *Chiusura*; eventualmente installare dispositivi di sicurezza supplementare.

– se il portone da automatizzare è dotato di una porta pedonale occorre predisporre l'impianto con un sistema di controllo che inibisca il funzionamento del motore quando la porta pedonale è aperta.

– prevedere nella rete di alimentazione dell'impianto un dispositivo di disconnessione con una distanza di apertura dei contatti che consenta la disconnessione completa nelle condizioni dettate dalla categoria di sovratensione III.

– se il cavo di alimentazione è danneggiato, esso deve essere sostituito da Nice o dal suo servizio assistenza tecnica o comunque da una persona con qualifica similare, in modo da prevenire ogni rischio.

– il prodotto non è destinato ad essere usato da persone (bambini compresi) le cui capacità fisiche, sensoriali o mentali siano ridotte, oppure con mancanza di esperienza o di conoscenza, a meno che esse abbiano potuto beneficiare, attraverso l'intermediazione di una persona responsabile della loro sicurezza, di una sorveglianza o di istruzioni riguardanti l'uso del prodotto.

– il prodotto non può essere considerato un efficace sistema di protezione contro l'intrusione. Se desiderate proteggervi efficacemente, è necessario integrare l'automazione con altri dispositivi.

– la Centrale deve essere collegata ad una linea di alimentazione elettrica dotata di messa a terra di sicurezza.

– il prodotto può essere utilizzato esclusivamente dopo che è stata effettuata la "messa in servizio" dell'automazione, come previsto nel paragrafo "Collaudo e messa in servizio dell'automazione" riportato nel riquadro "Attività riservate ad un tecnico qualificato".

– il materiale dell'imballaggio di tutti i componenti dell'automazione deve essere smaltito nel pieno rispetto della normativa presente a livello locale.

CONOSCENZA DEL PRODOTTO E PREPARAZIONE ALL'INSTALLAZIONE

PASSO 2

2.1 – DESCRIZIONE DEL PRODOTTO E DESTINAZIONE D'USO

In generale, l'insieme dei dispositivi che compongono il presente prodotto è destinato ad automatizzare un portone da garage ad uso residenziale (fig. 1). Questo può essere di tipo "sezionale" o di tipo "basculante"; il basculante può essere a sua volta debordante (durante l'apertura il portone sporge all'esterno) o non debordante ed essere provvisto di molle o contrappesi.

In particolare, il presente kit è destinato all'automatizzazione esclusiva di un portone "sezionale". Quindi, per poter automatizzare un portone "basculante" occorre montare un apposito braccio oscillante (mod. SPA5, accessorio non presente nella confezione).

Qualsiasi altro uso diverso da quello descritto e in condizioni ambientali diverse da quelle riportate nel PASSO 3 è da considerarsi improprio e vietato!

Il presente prodotto composto da un motoriduttore elettromeccanico con un motore in corrente continua a 24V, una guida, una catena e un carrello di traino. Nel motoriduttore è presente anche una Centrale di comando.

La Centrale è formata da una scheda elettronica, una luce di cortesia/segnalazione e un ricevitore radio incorporato, più l'antenna, che riceve i comandi inviati da un trasmettitore.

La Centrale è in grado di gestire diversi tipi di manovre, ciascuna programmabile e utilizzabile secondo le proprie esigenze.

Inoltre, sono disponibili varie funzioni speciali che permettono di personalizzare il funzionamento dell'automazione.

L'automazione è predisposta per essere utilizzata con vari accessori che ne aumentano la funzionalità e garantiscono la sicurezza. In particolare, la Centrale può memorizzare fino a 150 tasti di trasmettitori mod. FLO4R-S e fino a 4 coppie di fotocellule, mod. MOF/MOFO.

Il prodotto funziona tramite alimentazione elettrica di rete e, in caso di interru-

zione dell'energia elettrica (*black-out*), consente di muovere 'a mano' il portone, sbloccando il carrello di traino con un apposito cordino.

2.2 – COMPONENTI UTILI PER REALIZZARE UN IMPIANTO COMPLETO

La fig. 2 mostra tutti i componenti utili per realizzare un impianto completo, tipo quello mostrato in fig. 8.

AVVERTENZA!

Alcuni componenti riportati in fig. 2 sono opzionali e possono non essere presenti nella confezione.

Elenco dei componenti utili:

- [a] - motoriduttore elettromeccanico
- [b] - guida intera
- [c] - staffe per fissare il motoriduttore al soffitto
- [d] - staffa per fissare la guida alla parete
- [e] - fermo meccanico per l'arresto del carrello nel fincorsa
- [f] - rinvio della catena
- [g] - catena di traino
- [h] - asta di traino del portone (solo per portoni sezionali)
- [i] - carrello di traino
- [l] - cordino e pomello per lo sblocco dell'automatismo
- [m] - staffa per collegare l'asta di traino al portone
- [n] - braccio oscillante e sua asta di traino (mod. SPA5, solo per portoni basculanti)
- [o] - coppia di fotocellule (per parete) mod. MOF/MOFO
- [p] - trasmettitore (portatile) mod. FLO4R-S
- [q] - tastiera di comando via radio mod. MOTXR (per parete)
- [r] - minuteria metallica (viti, rondelle, ecc.)*

(*) **Nota** – Le viti necessarie al fissaggio dei componenti sul muro non sono comprese nella confezione. La loro tipologia dipende dal materiale e dallo spessore del muro nel quale devono essere inserite.

PASSO 3

VERIFICHE PRELIMINARI ALL'INSTALLAZIONE

Prima di procedere all'installazione, è necessario verificare l'integrità dei componenti del prodotto, l'adeguatezza del modello scelto e l'idoneità dell'ambiente destinato all'installazione.

IMPORTANTE – Il motoriduttore non può automatizzare un portone che non sia già efficiente e sicuro. Inoltre, non può risolvere i difetti causati da una sbagliata installazione o da una cattiva manutenzione del portone stesso.

3.1 – VERIFICARE L'IDONEITÀ DELL'AMBIENTE E DEL PORTONE DA AUTOMATIZZARE

- Nel caso di automatizzazione di un portone basculante debordante, verificare che il suo movimento non ingombri strade o marciapiedi pubblici.
- Verificare che la struttura meccanica del portone sia adatta ad essere automatizzata e conforme alle norme vigenti sul territorio.
- Verificare la robustezza della struttura meccanica del portone controllando che non vi siano rischi di fuoriuscita dalle guide.
- Muovendo manualmente il portone in *Apertura* e *Chiusura*, verificare che il movimento avvenga con attrito uguale e costante in ogni punto della sua corsa (non devono esserci momenti di maggiore sforzo).
- Verificare che il portone sia ben bilanciato: cioè, se questo viene lasciato fermo (manualmente) in una posizione qualsiasi, non deve muoversi.
- Verificare che lo spazio intorno all'automazione consenta una manovra manuale di sblocco, facile e sicura.
- Verificare che le superfici scelte per l'installazione dei vari dispositivi siano solide e possano garantire un fissaggio stabile.
- Verificare che ciascun dispositivo da installare sia collocato in una posizione protetta e al riparo da urti accidentali.
- Verificare che le superfici scelte per il fissaggio delle fotocellule siano piane e permettano un corretto allineamento tra le fotocellule stesse.

3.2 – VERIFICARE I LIMITI D'IMPIEGO DEL PRODOTTO

Per stabilire l'idoneità del prodotto rispetto alle peculiarità del vostro portone e alle specificità del contesto da automatizzare, è necessario effettuare le verifiche riportate di seguito e controllare la loro conformità sia con i dati presenti in questo paragrafo, sia con i dati tecnici del capitolo *"Caratteristiche tecniche del prodotto"*.

- Verificare che il portone abbia dimensioni e peso rientranti nei seguenti limiti d'impiego. **Nota** – La forma del portone e le condizioni climatiche come ad esempio la presenza di vento forte, possono ridurre i valori massimi riportati. In questi casi è importante misurare la forza necessaria a muovere il portone nella peggiore delle condizioni e confrontarla con i dati riportati nelle caratteristiche tecniche del motoriduttore.

	SHEL50KIT	SHEL75KIT
Portoni sezionali	350 x 240 cm	400 x 240 cm
Portoni basculanti debondanti	350 x 280 cm	400 x 280 cm
Portoni basculanti non debondanti	350 x 220 cm	400 x 220 cm

- Verificare che lo spazio previsto per il fissaggio del motoriduttore e della guida sia compatibile con gli ingombri dell'automazione stessa. Quindi, verificare che sia possibile rispettare gli spazi minimi e massimi indicati nelle fig. 3, 4 e 5.

Attenzione! – Se il risultato di queste verifiche non è conforme a quanto prescritto, il presente modello non può essere usato per automatizzare il vostro portone.

PASSO 4

4.1 – LAVORI PRELIMINARI DI PREDISPOSIZIONE

4.1.1 – Impianto tipico di riferimento

Le fig. 6, 7, 8 mostrano un esempio di impianto di automatizzazione realizzato con i componenti compatibili con il presente prodotto. Questi componenti sono posizionati e assemblati secondo uno schema tipico e usuale. I componenti usati sono i seguenti:

- a - Motoriduttore elettromeccanico
- b - Guida per lo scorrimento del carrello
- c - Carrello di traino
- d - Blocco meccanico per l'arresto del carrello nel fincorsa
- e - Pomello per lo sblocco manuale del carrello
- f - Staffa per collegare il carrello al portone
- g - Coppia di Fotocellule (a parete) mod. MOF/MOFO
- h - Tastiera di comando, via radio (a parete) mod. MOTXR
- i - Trasmettitore portatile mod. FLO4R-S
- l - Pulsante

4.1.2 – Stabilire la posizione dei vari componenti

Facendo riferimento alle fig. 6, 7, 8, stabilire la posizione approssimativa in cui verrà installato ciascun componente previsto nell'impianto.

4.1.3 – Stabilire con quale schema collegare i dispositivi

Facendo riferimento alla fig. 10 e al PASSO 6 stabilire lo schema con cui effettuare il collegamento fra tutti i dispositivi previsti nell'impianto.

4.1.4 – Verificare gli attrezzi necessari per effettuare il lavoro

Prima di iniziare l'installazione del prodotto, assicurarsi di avere a disposizione tutti gli attrezzi e i materiali necessari per effettuare il lavoro (vedere esempio in fig. 9). Inoltre, verificare che questi siano in buone condizioni e conformi a quanto previsto dalle normative locali sulla sicurezza.

4.1.5 – Eseguire i lavori di predisposizione

Effettuare i lavori di scavo delle tracce per i tubi dei cavi elettrici o, in alternativa, i lavori di posa di canaline esterne; quindi, il fissaggio nel calcestruzzo dei suddetti tubi e tutte le altre preparazioni, utili a predisporre l'ambiente alle successive operazioni di installazione.

ATTENZIONE! – Posizionare le estremità dei tubi per il passaggio dei cavi elettrici in prossimità dei punti in cui è stato previsto il fissaggio dei vari componenti.

Note:

- I tubi hanno lo scopo di proteggere i cavi elettrici ed evitare rotture accidentali, ad esempio in caso di urti.
- I dispositivi di comando di tipo "fisso" devono essere posizionati in vista del portone ma lontano dalle sue parti mobili e ad un'altezza superiore a 150 mm.

4.2 – POSA DEI CAVI ELETTRICI

Ad esclusione del cavo e della spina di alimentazione, tutto il resto dell'impianto è a bassissima tensione (24 V circa); quindi, la posa dei cavi elettrici può essere effettuata anche da personale non particolarmente qualificato, purché vengano rispettate scrupolosamente tutte le istruzioni presenti in questo manuale.

Per la posa dei cavi elettrici fare riferimento alla fig. 10 per stabilire il tipo di cavo da utilizzare per ciascun collegamento.

AVVERTENZE:

– Nella fase di posa dei cavi elettrici **NON** effettuare nessun tipo di collegamento elettrico.

– Farsi installare da un elettricista qualificato una presa "shuko" da 16 A, adeguatamente protetta, in cui inserire la spina del motoriduttore. La presa deve essere posizionata in modo che, dopo aver collegato la spina del cavo di alimentazione, il cavo stesso non penda in corrispondenza di parti mobili o zone pericolose.

Caratteristiche tecniche dei cavi elettrici (nota 1)

	Dispositivi	Morsetti	Funzione	Tipo di cavo	Lunghezza massima consentita
A	Fotocellule di sicurezza	3 - 5	Ingresso FOTO	TX Cavo 2 x 0,25 mm ² RX Cavo 3 x 0,25 mm ²	20 m (nota 2) 20 m (nota 2)
B	Pulsante di comando	3 - 4	Ingresso PASSO-PASSO	Cavo 2 x 0,25 mm ²	20 m (nota 2)
C	Pulsante di sicurezza - Bordi sensibili - ecc.	1 - 2	Ingresso STOP	Cavo 2 x 0,25 mm ²	20 m (nota 2)

Nota 1 – I cavi necessari alla realizzazione dell'impianto (non presenti nella confezione) possono variare in base alla quantità e alla tipologia dei dispositivi previsti nell'impianto.

Nota 2 – I collegamenti ai morsetti 1 - 2 (Stop), 3 - 4 (Passo-passo) e 3 - 5 (Foto) possono essere fatti utilizzando anche un cavo unico con diversi fili interni.

ATTENZIONE! – I cavi utilizzati devono essere adatti al tipo di ambiente in cui avviene l'installazione; ad esempio, si consiglia un cavo tipo H03VV-F per l'installazione in ambienti interni.

INSTALLAZIONE: MONTAGGIO E COLLEGAMENTO DEI COMPONENTI

PASSO 5

5.1 – INSTALLARE I COMPONENTI DELL'AUTOMAZIONE

AVVERTENZE

• Un'installazione errata può causare gravi ferite alla persona che esegue il lavoro e alle persone che useranno l'impianto.

• Prima di iniziare l'assemblaggio dell'automazione, fare le verifiche preliminari descritte nel PASSO 3.

Dopo la posa dei cavi elettrici, si deve procedere ad assemblare le parti meccaniche relative alla guida e al motoriduttore, seguendo l'ordine indicato di seguito.

- Innestare la guida nella sede presente sul motoriduttore (fig. 11).
- Infilare nella guida il fermo meccanico di finecorsa (a) e spostarlo in prossimità del motoriduttore; quindi, posizionare la piastra (b) sul fermo e bloccare il tutto con una vite (fig. 12). **Nota** – La vite NON deve essere stretta troppo perché in un secondo tempo sarà necessario spostare il finecorsa nella sua posizione definitiva.
- Fissare con due viti le estremità della catena nelle scanalature della piastra del carrello (fig. 13).
- Assemblare fra loro le due piastre del carrello; inserire la vite nel supporto della puleggia di rinvio; posizionare la puleggia di rinvio nella catena e assemblare il tutto alla staffa di rinvio con il perno in dotazione (fig. 14).
- Infilare la catena e il carrello all'interno della guida, facendo attenzione alle seguenti avvertenze:
Fig. 15-a) posizionare il lato del carrello che ha la catena fissata con le viti, sullo stesso lato dove si trova il coperchio della Centrale;
Fig. 15-b) posizionare il carrello a circa metà della guida.
- Far passare la catena attorno al pignone del motoriduttore e chiudere il tutto con il coperchio di protezione (fig. 16).
- Innestare la staffa all'estremità della guida e fissare il tutto con rondella e dado (fig. 17).
- Mettere in tensione la catena avvitando il dado sulla vite della staffa del rinvio (fig. 18). **ATTENZIONE** – se la catena è troppo tesa, può sforzare e rompere il motoriduttore; se invece è poco tesa può causare fastidiosi rumori.

SOLO PER I PORTONI BASCULANTI

Se il portone da automatizzare è di tipo "basculante" (debordante o non debordante - fig. 1), occorre installare l'apposito **Braccio oscillante mod. SPA5** (fig. 19). Procedere, quindi, ad assemblare i vari componenti del braccio. **IMPORTANTE** – Si raccomanda di accostare il braccio il più vicino possibile alla maniglia del portone. Per il montaggio dell'asta di traino, consultare il punto 10.

Nota – per il montaggio dell'accessorio, seguire le istruzioni contenute nel suo imballo.

- ATTENZIONE!** – Se il portone è di tipo basculante usare per questa operazione l'asta di traino fornita con il braccio oscillante.
Prima di montare l'asta di traino occorre tagliare questa a una lunghezza

tale che consenta di rispettare la quota consigliata **E** di fig. 3. Quindi, tramite viti e dadi, fissare un'estremità dell'asta di traino alla staffa (quella che andrà fissata al portone o al braccio oscillante) e l'altra estremità al carrello (fig. 20).

- Fissare al carrello un'estremità della cordicella per lo sblocco manuale e l'altra estremità al pomello (fig. 21). **Nota** – Fare in modo che il pomello dello sblocco manuale sia posizionata ad un'altezza uguale o inferiore a 180 cm da terra.

IMPORTANTE! – Eseguire le operazioni che seguono tenedo il portone CHIUSO.

- Se il portone è di tipo **SEZIONALE**: stabilire la lunghezza della quota **B** considerando il vincolo costituito dalle quote **A** e **E** (fig. 3).
• Se il portone è di tipo **BASCULANTE**: stabilire la lunghezza della quota **B** considerando il vincolo costituito dalla quota **F** (fig. 4).
Nota – Se le quote **A**, **E** o **F** lo consentono, l'automazione può essere fissata anche direttamente al soffitto (minimo 4 mm).
- Piegare a "L" le due staffe per il fissaggio della guida al soffitto e montarle in prossimità del motoriduttore, tramite viti e dadi (fig. 22).
Nota – scegliere sulle staffe il foro più adatto a rispettare la quota **B** decisa al punto 12.

5.2 – FISSARE L'AUTOMAZIONE ALLA PARETE, AL SOFFITTO E AL PORTONE

Dopo l'assemblaggio della guida e del motoriduttore, procedere a fissare l'automazione alla parete, al soffitto e al portone, nel modo seguente.

- Con l'aiuto di un sistema di sostegno (tipo scale, aste o altro), sollevare da terra il motoriduttore e posizionarlo in alto, in modo che le staffe della guida vadano ad appoggiarsi al soffitto e alla parete sopra il portone (fig. 23). **IMPORTANTE** – (fig. 23-a) allineare la guida e il motoriduttore all'asse verticale del portone e in modo perpendicolare a questo (angolo di 90°). **Nota** – Nel caso dei portoni basculanti la guida deve essere allineata in corrispondenza del Braccio oscillante.
Inoltre, verificare il rispetto delle quote **A**, **B**, **E** di fig. 3 e le quote **B**, **F** di fig. 4.
- Controllare la posizione della guida che deve essere perfettamente orizzontale e segnare i 4 punti di fissaggio delle staffe; quindi, eseguire i fori e inserire i tasselli (fig. 24).
- Fissare l'automazione al soffitto e sulla parete utilizzando viti e tasselli adatti al materiale (fig. 25).
Note:
• In base alla tipologia e al materiale della parete, la staffa sull'estremità della guida può essere fissata con rivetti o viti e tasselli.
• Prestare attenzione nella scelta del metodo di fissaggio delle staffe a soffitto e a parete considerando che:
– la staffa in testa alla guida dovrà sopportare lo sforzo necessario per aprire e chiudere il portone;
– le staffe a soffitto dovranno sopportare il peso del motoriduttore.
In entrambi i casi si dovrà considerare l'usura e le deformazioni che potranno verificarsi nel tempo.
- Tagliare con un seghetto la parte eccedente delle staffe fissate al soffitto (fig. 26).
- (Con il portone chiuso) Tirare il pomello di sgancio e far scorrere il carrello fino a far appoggiare la staffa di ancoraggio si appoggia sul bordo superio-

re del portone sezionale, o fino a raggiungere l'attacco del Braccio oscillante (portone basculante). Quindi, allineare l'asta di traino lungo la traiettoria della guida e fissare la staffa al portone usando rivetti o viti adeguate al materiale del portone (fig. 27).

06. Allentare leggermente la vite del fermo meccanico di finecorsa (fig. 28) e aprire manualmente il portone, fino a portarlo nella posizione di massima Apertura.
07. Spostare il fermo meccanico di finecorsa verso il carrello e posizionarlo in battuta su questo.
Quindi, bloccare definitivamente il fermo meccanico di finecorsa avvitando a fondo la vite (fig. 29).
Nota – Durante il normale funzionamento il carrello si fermerà qualche centimetro prima del fermo meccanico.
08. Per bloccare di nuovo il portone chiuderlo manualmente fino a sentire uno scatto secco.

PASSO 6

Dopo aver installato tutti i dispositivi previsti nell'impianto – ciascuno nella posizione prevista al PASSO 4 – collegare ciascun dispositivo alla Centrale nel modo seguente.

ATTENZIONE! – Un collegamento errato può provocare guasti o situazioni di pericolo; quindi, rispettare scrupolosamente i collegamenti indicati.

01. Svitare con un cacciavite la vite del coperchio della Centrale e sfilare questo verso l'esterno (fig. 30), per accedere ai morsetti per i collegamenti elettrici presenti sulla Centrale.
02. Con lo stesso cacciavite aprire le feritoie necessarie al passaggio dei cavi elettrici (fig. 31) provenienti dai vari dispositivi installati nell'impianto.
03. Quindi, collegare alla Centrale i cavi elettrici dei vari dispositivi utilizzando la morsettiera con cinque morsetti (fig. 32).

ATTENZIONE – Lo spezzone di cavo elettrico che collega i morsetti 3 e 5 deve essere rimosso solo nel caso in cui è prevista l'installazione di fotocellule.

Per eseguire correttamente questi collegamenti procedere come indicato di seguito.

• **Per collegare una coppia di fotocellule come dispositivo di sicurezza**
Nell'impianto può essere installata una o più coppie di fotocellule con funzione di sicurezza. Se si installano diverse coppie di fotocellule, queste devono essere collegate tra loro "in serie" e la catena deve essere collegata ai morsetti 3 e 5 presenti sulla Centrale. Infine, collegare la loro alimentazione ai morsetti 2 e 3 (vedere l'esempio in fig. 33 e 34).

Durante la manovra di Chiusura, l'intervento di queste fotocellule provoca la fermata della manovra e l'immediata inversione del movimento.

• **Per collegare un pulsante di tipo "NA" utilizzato per comandare le manovre**

Nell'impianto può essere installato un pulsante di tipo "NA", cioè "normalmente aperto", per comandare le manovre con la modalità "Passo-passo" (per i dettagli su questa modalità vedere il PASSO 9). Collegare questo pulsante ai morsetti 3 e 4 presenti sulla Centrale.

Nota – Se si installano diversi pulsanti per comandare le manovre, collegare questi fra loro "in parallelo", come mostrato nell'esempio di fig. 35 e 36.

• **Per collegare altri dispositivi di sicurezza diversi dalle fotocellule**

Oltre alle fotocellule, nell'impianto possono essere installati anche altri dispositivi di sicurezza con diversi tipi di contatto. Questi sono:

- dispositivi con contatto "normalmente aperto" ("NA");
- dispositivi con contatto "normalmente chiuso" ("NC");
- dispositivi con resistenza costante di 8,2 K Ω .

Questi dispositivi devono essere collegati ai morsetti 1 e 2 presenti sulla Centrale; inoltre, è possibile collegare anche più di un dispositivo agli stessi morsetti operando con le seguenti modalità:

A) – per collegare fra loro un insieme di dispositivi di tipo "NA", adottare uno schema di connessione "in parallelo", come mostrato nell'esempio di fig. 37.

B) – per collegare fra loro un insieme di dispositivi di tipo "NC", adottare uno schema di connessione "in serie", come mostrato nell'esempio di fig. 38.

C) – per collegare fra loro un insieme di dispositivi con resistenza costante di 8,2 K Ω , adottare uno schema di connessione "in parallelo", ponendo la resistenza (8,2K Ω) sull'ultimo dispositivo, come mostrato nell'esempio di fig. 39.

D) – per collegare fra loro un insieme di dispositivi con vari tipi di contatto ("NA", "NC" e resistenza costante di 8,2 K Ω), adottare uno schema di connessione misto, "in serie" e "in parallelo", come mostrato nell'esempio di fig. 40.

Nota – Solo i dispositivi di sicurezza con uscita a resistenza costante 8,2 K Ω garantiscono la categoria 3 di sicurezza ai guasti secondo la norma EN 954-1.

L'intervento di questi dispositivi di sicurezza provoca lo stop della manovra in

atto e una breve inversione del movimento.

• **Alimentare dispositivi, diversi da quelli citati in questo capitolo**

Nell'impianto possono essere installati altri tipi di dispositivi diversi da quelli citati, come ad esempio un ricevitore universale a relè. Questi dispositivi devono essere collegati ai morsetti 2 e 3 presenti sulla Centrale. **Attenzione!** – Nei morsetti 2 e 3 è presente una tensione di 24 Vcc e viene erogata una corrente di 100 mA. La somma della corrente assorbita dai vari dispositivi collegati a questi morsetti non deve superare questo valore.

AVVERTENZA – Al termine dei collegamenti bloccare tutti i cavi utilizzando delle fascette apposite e infine rimettere il coperchio sulla Centrale.

ALLACCIAMENTO DELL'ALIMENTAZIONE

PASSO 7

AVVERTENZE!

– Il cavo di alimentazione in PVC in dotazione al prodotto è adatto ad essere installato all'interno.

– Il collegamento definitivo dell'automazione alla rete elettrica deve essere effettuato esclusivamente da un elettricista qualificato ed esperto, nel rispetto delle norme di sicurezza vigenti sul territorio e delle istruzioni riportate nel riquadro "Attività riservate ad un tecnico qualificato".

Per effettuare le prove di funzionamento e la programmazione dell'automazione, dare alimentazione alla Centrale inserendo la spina del cavo di alimentazione in dotazione in una presa elettrica (fig. 41). Se la presa è collocata lontana dall'automazione, in questa fase può essere usata una prolunga.

PRIMA ACCENSIONE E VERIFICA DEI COLLEGAMENTI ELETTRICI

PASSO 8

ATTENZIONE! – Tutte le operazioni successive descritte nel manuale, saranno effettuate su circuiti elettrici sotto tensione e le manovre potranno risultare pericolose! Quindi, operare con attenzione.

Dopo aver dato alimentazione elettrica alla Centrale (fig. 41) effettuare le operazioni elencate di seguito, verificando la conformità dei risultati.:

• Subito dopo l'accensione, il Led rosso (fig. 42) lampeggia velocemente per qualche secondo, poi si accendono alternativamente il Led verde e rosso; infine, il Led verde si spegne e quello rosso continua a lampeggiare con cadenza regolare, ogni secondo (= stato di funzionamento regolare della Centrale).

Attenzione! – Se il Led rosso non lampeggia come descritto è consigliabile togliere l'alimentazione elettrica alla Centrale e verificare con maggior attenzione i collegamenti effettuati (consultare anche il capitolo "Cosa fare se...").

• Se nell'impianto sono installate le fotocellule, verificare sulla RX se il Led è spento (= funzionamento regolare) o acceso (= presenza di un ostacolo). Se invece il Led lampeggia significa che il segnale è poco chiaro e disturbato da un errato allineamento delle due fotocellule.

• Se nell'impianto è installato una tastiera di comando via radio verificare il suo funzionamento facendo riferimento al relativo manuale d'istruzioni.

PASSO 9

AVVERTENZE alla programmazione:

- Si consiglia di leggere prima la procedura e di eseguire dopo le operazioni, effettuando queste in modo consecutivo, senza far trascorrere più di 10 secondi fra il rilascio di un tasto e la pressione di quello successivo.
- In questo manuale i tasti del trasmettitore sono identificati tramite dei numeri. Per conoscere la corrispondenza fra i numeri citati e i tasti del trasmettitore vedere la fig. 43.

9.1 – MEMORIZZAZIONE DEL TRASMETTITORE mod. FLO4R-S

Per poter comandare l'automazione con il trasmettitore, occorre memorizzare i suoi tasti nella memoria della Centrale. La memorizzazione permette di associare ad ogni tasto un comando desiderato, scegliendolo fra i seguenti disponibili:

1 = Passo-Passo: corrisponde alla sequenza ... Apre - Stop - Chiude - Stop ... Il primo comando attiva l'Apertura; il successivo, con il portone in movimento comanda lo Stop; il terzo, la Chiusura; il quarto, con il portone in movimento, comanda lo Stop e così via...

2 = Passo-Apre: corrisponde alla sequenza ... Apre - Stop - Chiude - Apre ... Il primo comando attiva l'Apertura; il successivo, con il portone in movimento comanda lo Stop; il terzo, la Chiusura; il quarto, con il portone in movimento, comanda l'Apertura e così via...

3 = Apertura parziale: corrisponde ad una breve apertura del portone. Questo comando ha effetto solo se il portone è completamente chiuso.

4 = Luce di cortesia: ... On - Off - On ...

La singola esecuzione della procedura memorizza un singolo tasto del trasmettitore; questo può essere memorizzato sia sulla presente Centrale sia su Centrali di altre automazioni. La memoria della Centrale può memorizzare fino a 150 tasti.

Per ogni tasto che si desidera memorizzare, ripetere la seguente procedura.

- 01.** Decidere quale tasto del trasmettitore si intende memorizzare (esempio: il tasto T3).
- 02.** Decidere quale comando, fra quelli elencati prima, si intende associare al tasto prescelto (esempio: il comando "2").
- 03.** Premere il tasto "P1" (sulla Centrale) un numero di volte uguale al numero del comando scelto (nel nostro esempio, "2" volte) e verificare che il Led verde emetta uno stesso numero di lampeggi brevi (questi vengono ripetuti con cadenza regolare).
- 04.** (entro 10 secondi) Tenere premuto sul trasmettitore per almeno 2 secondi, il tasto che si intende memorizzare (nel nostro esempio, il tasto T3).

Se la memorizzazione è andata a buon fine il Led verde emetterà 3 lampeggi lunghi (= memorizzazione ok). **Nota** – Prima che scadano i 10 secondi è possibile memorizzare un tasto di un NUOVO trasmettitore con lo stesso comando (questo è utile quando, ad esempio, occorre memorizzare più trasmettitori nella stessa Centrale).

In caso contrario, attendere che il Led verde si spenga (= procedura terminata) e che il Led rosso riprenda a lampeggiare con cadenza regolare.

9.2 – MEMORIZZAZIONE DELLE POSIZIONI DI FINECORSA IN "APERTURA" E "CHIUSURA" DEL PORTONE

La posizione di finecorsa in "Chiusura" (B - fig. 44) corrisponde alla massima chiusura del portone e il finecorsa in "Apertura" (A - fig. 44) a quella di massima apertura.

In questa fase dell'installazione è necessario far riconoscere e far memorizzare alla Centrale le posizioni di "Chiusura" e "Apertura" massime del portone e la configurazione dell'ingresso STOP, utilizzando la seguente procedura:

ATTENZIONE! – Le seguenti operazioni devono essere eseguite utilizzando esclusivamente il tasto "P1" sulla Centrale del motoriduttore.

- 01.** Verificare che il carrello di traino sia agganciato.
- 02.** Premere a lungo (circa 5 secondi) il tasto "P1" sulla Centrale, fino a quando il Led rosso si accende; quindi, rilasciare il tasto.
- 03.** A questo punto la Centrale avvia autonomamente 3 manovre consecutive (Chiusura - Apertura - Chiusura), memorizzando automaticamente le due posizioni di finecorsa. **Nota** – Durante l'esecuzione delle 3 manovre, la luce di cortesia lampeggia.
Attenzione! – Durante le 3 manovre, se c'è l'intervento di un dispositivo di sicurezza o la pressione casuale del tasto "P1", la Centrale interrompe e annulla immediatamente l'intera procedura. In questo caso sarà necessario ripetere tutta la procedura dall'inizio.
- 04.** Infine, con il tasto T1 del trasmettitore comandare 3 o 4 manovre complete di Apertura e Chiusura (queste manovre servono alla Centrale per memorizzare i valori della forza, necessaria a muovere il portone in ogni punto della sua corsa).

Attenzione! – Queste manovre non devono essere interrotte; se ciò avviene, sarà necessario eseguire di nuovo tutta la procedura dall'inizio.

ATTENZIONE! – Durante la ricerca delle posizioni, se la catena sulla puleggia del pignone del motore emette un rumore ritmico, significa che non è tesa adeguatamente. In questo caso, interrompere la procedura premendo il tasto "P1" sulla Centrale: quindi, tendere la catena avvitando il dado e ripetere tutta la procedura dall'inizio.

La presente procedura può essere rifatta anche in altri momenti: ad esempio, dopo un eventuale spostamento del blocco meccanico di finecorsa sulla guida.

REGOLAZIONI E ALTRE FUNZIONI OPZIONALI

La Centrale possiede alcune funzioni opzionali che permettono di aggiungere all'automazione funzionalità specifiche, in grado di personalizzarla secondo le vostre necessità personali.

10 – REGOLAZIONE DEL FUNZIONAMENTO DELLA AUTOMAZIONE

Per personalizzare il funzionamento dell'automazione è possibile attivare o disattivare alcune funzioni e di regolarne il loro valore. Le funzioni sono:

- **CHIUSURA AUTOMATICA.** Quando questa funzione è attiva, al termine di una manovra di Apertura comandata dall'utente, la Centrale richiude automaticamente il portone dopo un certo tempo.
- **VELOCITÀ DEL MOVIMENTO.** Questa funzione permette di impostare la velocità desiderata con la quale l'automazione fa muovere il portone.
- **SENSIBILITÀ VERSO GLI OSTACOLI.** Se durante una manovra un ostacolo accidentale frena il movimento del portone (una raffica di vento, un veicolo, una persona ecc), questa funzione rileva prontamente l'aumento dello sforzo del motore per contrastare l'ostacolo e comanda immediatamente una breve inversione del movimento.
- **SCARICAMENTO DELLA PRESSIONE.** Al termine della manovra di chiusura, dopo che il portone si è chiuso completamente, il motore continua a "spingere" il portone ancora per qualche istante, per assicurare una chiusura perfetta. Subito dopo, la funzione di "scaricamento" comanda una brevissima inversione del moto, allo scopo di allentare la pressione in eccesso esercitata dal motore sul portone.

I valori di queste funzioni possono essere regolati secondo le proprie necessità utilizzando la procedura seguente e un trasmettitore che possieda almeno un tasto già memorizzato nella Centrale.

Nota – Durante l'esecuzione della procedura, ogni volta che si preme un tasto si accenderà brevemente la luce di cortesia.

- 01.** Tenere premuto contemporaneamente, per almeno 5 secondi, il tasto "T1" e "T2" sul trasmettitore e poi rilasciarli.
Sulla Centrale lampeggiano i due Led (verde e rosso) che segnalano l'entrata nella "programmazione funzioni" (i Led continueranno a lampeggiare per tutta la durata della procedura).
- 02.** Tenere premuto per almeno 1 secondo un tasto sul trasmettitore che risulta già memorizzato sulla stessa Centrale (il Led verde emette 1 lampeggio).
- 03.** Quindi, scegliere di seguito una delle quattro funzioni disponibili e, sul trasmettitore, tenere premuto per almeno 1 secondo il tasto che risulta associato alla funzione scelta (il Led verde emette 1 lampeggio):
 - Chiusura automatica = (premere il tasto "T1")
 - Velocità del movimento = (premere il tasto "T2")
 - Sensibilità verso gli ostacoli = (premere il tasto "T3")
 - Scaricamento della pressione = (premere il tasto "T4")
- 04.** Infine, osservando la Tabella 4 scegliere in corrispondenza della funzione prescelta il valore desiderato e, sul trasmettitore, tenere premuto per almeno 1 secondo il tasto che risulta associato al valore scelto (il Led verde e rosso emettono 1 breve lampeggio di conferma).

Note alla Tabella 4:

– La Tabella riporta i valori disponibili per ciascuna delle 4 funzioni speciali e il tasto corrispondente che occorre premere sul trasmettitore per selezionare quel determinato valore.

– Il colore grigio evidenzia i valori impostati in fabbrica.

TABELLA 4

CHIUSURA AUTOMATICA

Nessuna chiusura —> (premere il tasto "T1")

Chiusura dopo 15 secondi —> (premere il tasto "T2")

Chiusura dopo 30 secondi —> (premere il tasto "T3")

Chiusura dopo 60 secondi —> (premere il tasto "T4")

VELOCITÀ DEL MOVIMENTO

Apertura Lenta / Chiusura Lenta —> (premere il tasto "T1")

Apertura Lenta / Chiusura Veloce —> (premere il tasto "T2")

Apertura Veloce / Chiusura Lenta —> (premere il tasto "T3")

Apertura Veloce / Chiusura Veloce —> (premere il tasto "T4")

SENSIBILITÀ VERSO GLI OSTACOLI

Alta —> (premere il tasto "T1")

Medio alta —> (premere il tasto "T2")

Medio bassa —> (premere il tasto "T3")

Bassa —> (premere il tasto "T4")

SCARICAMENTO DELLA PRESSIONE

Nessun scaricamento —> (premere il tasto "T1")

Minimo —> (premere il tasto "T2")

Medio —> (premere il tasto "T3")

Massimo —> (premere il tasto "T4")

11 – MEMORIZZAZIONE DI UN NUOVO TRASMETTITORE CON LA PROCEDURA 'IN VICINANZA' DELLA CENTRALE [con un trasmettitore già memorizzato]

È possibile memorizzare un NUOVO trasmettitore nella memoria della Centrale senza agire direttamente sul tasto "P1" della stessa Centrale, ma operando semplicemente nel suo raggio di ricezione. Per attuare la procedura è necessario avere a disposizione un VECCHIO trasmettitore, già memorizzato e funzionante. La procedura consentirà al NUOVO trasmettitore di ricevere le impostazioni di quello VECCHIO.

Avvertenza – La procedura deve essere eseguita operando nel raggio di ricezione del ricevitore (massimo 10-20 m dal ricevitore).

01. Sul NUOVO trasmettitore, tenere premuto per almeno 5 secondi il tasto che si desidera memorizzare e poi rilasciarlo.
02. Sul VECCHIO trasmettitore, premere lentamente 3 volte il tasto con il comando che si desidera memorizzare sull'altro trasmettitore.
03. Sul NUOVO trasmettitore, premere 1 volta lo stesso tasto premuto precedentemente al punto 01.

Nota – La procedura deve essere ripetuta per ogni tasto che si desidera memorizzare.

12 – CANCELLAZIONE DEI DATI PRESENTI NELLA MEMORIA DELLA CENTRALE

È possibile cancellare i dati presenti nella memoria della Centrale, operando in modo selettivo o in modo totale. Per questa operazione è possibile usare, secondo le necessità le seguenti procedure:

- Cancellazione di un comando in un Trasmettitore già memorizzato
- Cancellazione degli altri dati memorizzati nella Centrale

Cancellazione di un comando in un Trasmettitore già memorizzato

La seguente procedura permette di cancellare dalla memoria della Centrale un singolo comando assegnato a un tasto del trasmettitore.

Nota – Durante la procedura il Led rosso e il Led verde restano accesi con luce fissa.

01. Tenere premuto per più di 10 secondi il tasto "P1" sulla Centrale: si accende prima il Led verde, dopo 5 secondi si accende quello rosso e infine entrambi, segnalando che la Centrale è entrata in modalità "cancellazione memoria" (**ATTENZIONE! – non rilasciare il tasto "P1"!**).
02. Senza rilasciare il tasto "P1", premere sul trasmettitore il tasto che si intende cancellare: se la Centrale riconosce questa operazione, il Led verde emette un lampeggio breve e, a questo punto, si possono rilasciare i tasti "P1" e quello sul trasmettitore.

Cancellazione degli altri dati memorizzati nella Centrale

La seguente procedura permette di cancellare dalla memoria della Centrale vari tipi di dati memorizzati, così come riportati nella Tabella 5.

Nota – Durante la procedura il Led rosso e il Led verde restano accesi con luce fissa.

01. Tenere premuto per più di 10 secondi il tasto "P1" sulla Centrale: si accende prima il Led verde, dopo 5 secondi si accende quello rosso e infine entrambi, segnalando che la Centrale è entrata in modalità "cancellazione memoria". Quindi, rilasciare il tasto.
02. Osservando la Tabella 5 scegliere il tipo di dati che si intende cancellare e premere il tasto "P1" un numero di volte uguale al numero di pressioni indicato tra parentesi (ad ogni pressione del tasto "P1", il Led verde emette un lampeggio).
03. Dopo 5 secondi dall'ultima pressione del tasto "P1", se la cancellazione è andata a buon fine, entrambi i Led (rosso e verde) lampeggiano velocemente (= memoria cancellata!).
Nota – Prima che la cancellazione venga eseguita, c'è un margine di tempo di 5 secondi, in cui poter ripensare la decisione presa; in questo tempo si può uscire dalla procedura senza cancellare nessun dato premendo 5 volte il tasto "P1".

IMPORTANTE! – Dopo la cancellazione della "Memoria delle posizioni" di finecorsa in "Chiusura" e "Apertura" e della "Memoria TOTALE", sarà necessario effettuare di nuovo la procedura 9.2 – Apprendimento delle posizioni di "Chiusura" e "Apertura".

TABELLA 5

- Memoria dei valori delle Funzioni Opzionali (= 1 pressione)
- Memoria delle posizioni di finecorsa in "Chiusura" e "Apertura" (= 2 pressioni)
- Memoria dei Trasmettitori (= 3 pressioni)
- Memoria TOTALE (= 4 pressioni) *Nota* – cancella in una sola volta le prime tre memorie

COSA FARE SE... (guida alla risoluzione dei problemi)

Durante il regolare funzionamento, la Centrale tiene costantemente sotto controllo i processi dell'automazione ed è in grado di segnalare eventuali anomalie, attraverso predeterminate sequenze di lampeggi emesse dalla luce di cortesia e dal Led rosso "L1", presente sulla Centrale (i lampeggi diagnostici si riferiscono sempre all'ultima azione compiuta dall'automazione). Per comprendere la relazione fra il numero dei lampeggi emessi e la causa che li ha determinati, fare riferimento alla seguente **Tabella 6**:

TABELLA 6		
Lampeggi	Problema	Risoluzione
2 lampeggi - pausa - 2 lampeggi	Durante la manovra di <i>Chiusura</i> il portone si blocca e invertono la manovra in atto.	Questo comportamento è determinato dall'intervento di una specifica coppia di fotocellule, presente nell'impianto, che rileva un ostacolo. Quindi rimuovere l'ostacolo presente sulla traiettoria di queste fotocellule.
3 lampeggi - pausa - 3 lampeggi	Durante la manovra di <i>Apertura</i> o <i>Chiusura</i> il portone si blocca improvvisamente e la Centrale esegue l'inversione <u>breve</u> della manovra in atto.	Il portone ha incontrato un maggior attrito a causa di un ostacolo improvviso (una raffica di vento, un veicolo, una persona, ecc.). Se eventualmente serve regolare la loro sensibilità verso gli ostacoli, fare riferimento al capitolo " Regolazioni e altre funzioni opzionali ".
4 lampeggi - pausa - 4 lampeggi	Durante la manovra di <i>Apertura</i> o <i>Chiusura</i> il portone si blocca improvvisamente e la Centrale esegue un "Alt" seguito da una breve inversione del movimento.	Eventuali dispositivi di sicurezza installati (diversi dalle fotocellule, come ad esempio i bordi sensibili), hanno rilevato un ostacolo improvviso. Quindi, rimuovere l'ostacolo.
5 lampeggi - pausa - 5 lampeggi	L'automazione non risponde ai comandi inviati.	È presente un errore nella configurazione del sistema. Quindi, eseguire la cancellazione totale nella memoria della Centrale e di seguito eseguire di nuovo l'installazione.
6 lampeggi - pausa - 6 lampeggi	Dopo una serie di manovre comandate consecutivamente l'automazione si blocca.	È stato superato il limite massimo consentito di manovre consecutive generando un eccessivo surriscaldamento. Quindi, attendere alcuni minuti per consentire alla temperatura di ritornare al di sotto del limite massimo prefissato.
7 lampeggi - pausa - 7 lampeggi	L'automazione non risponde ai comandi inviati.	C'è un guasto nei circuiti elettrici interni. Quindi scollegare tutti i circuiti di alimentazione; attendere qualche secondo e collegarli di nuovo. Dare un nuovo comando e, se l'automazione non risponde, significa che c'è un guasto grave sulla scheda elettrica della Centrale oppure sul cablaggio del motore. Dunque, fare le verifiche e le eventuali sostituzioni.



Attività riservate ad un tecnico qualificato

ATTENZIONE! – Tutte le operazioni contenute in questo riquadro devono essere eseguite esclusivamente da personale qualificato ed esperto, rispettando le istruzioni del manuale, le leggi e le normative di sicurezza vigenti sul territorio.

COLLEGAMENTO DELL'AUTOMAZIONE ALLA RETE ELETTRICA

Attenzione! – Nell'effettuare questo collegamento è necessario installare sulla linea di alimentazione (tra l'automazione e la rete elettrica), un dispositivo di protezione contro il cortocircuito.

Inoltre, sulla stessa linea è necessario installare anche un dispositivo di sconnessione dell'alimentazione (con categoria di sovratensione III, cioè una distanza tra i contatti di almeno 3 mm) oppure, un altro sistema equivalente (ad esempio, una presa con relativa spina).

Questo dispositivo, in caso di necessità, garantisce una veloce e sicura sconnessione dell'alimentazione; pertanto deve essere posizionato in vista dell'automazione. Se invece è collocato lontano, in posizione non visibile, deve disporre di un sistema che blocca un'eventuale riconnessione accidentale o non autorizzata dell'alimentazione, al fine di scongiurare qualsiasi pericolo.

Nota – Il dispositivo di sconnessione non è fornito con il prodotto.

COLLAUDO E MESSA IN SERVIZIO DELL'AUTOMAZIONE

Queste sono le fasi più importanti nella realizzazione dell'automazione, al fine di garantire la massima sicurezza dell'impianto. La procedura di collaudo descritta può essere usata anche per verificare periodicamente i dispositivi che compongono l'automazione.

Le fasi del collaudo e della messa in servizio dell'automazione devono essere eseguite da personale qualificato ed esperto che dovrà farsi carico di stabilire le prove necessarie a verificare le soluzioni adottate nei confronti dei rischi presenti, e di verificare il rispetto di quanto previsto da leggi, normative e regolamenti: in particolare, di tutti i requisiti della norma EN 12445 che stabilisce i metodi di prova per la verifica degli automatismi per portoni da garage.

COLLAUDO DELL'AUTOMAZIONE

1 Verificare che sia stato rispettato rigorosamente quanto previsto nel PASSO

1 in materia di sicurezza.

2 Utilizzando il trasmettitore, effettuare delle prove di chiusura e apertura del portone, accertando che il movimento del portone corrisponda a quanto previsto.

Conviene eseguire diverse prove al fine di valutare la scorrevolezza del portone e accertare eventuali difetti di montaggio, di regolazione, nonché la presenza di particolari punti d'attrito.

3 Verificare uno ad uno il corretto funzionamento di tutti i dispositivi di sicurezza presenti nell'impianto (fotocellule, bordi sensibili ecc.). **Fotocellule:** far intervenire il dispositivo durante una manovra di *Chiusura* e verificare che la Centrale fermi la manovra ed esegua un'inversione totale del movimento (la luce di cortesia emette 2 lampeggi, ripetuti una seconda volta). **Bordi sensibili:** far intervenire il dispositivo durante una manovra di *Apertura* o *Chiusura* e verificare che la Centrale fermi la manovra ed esegua una breve inversione del movimento (la luce di cortesia emette 4 lampeggi, ripetuti una seconda volta).

4 Verificare che non vi siano interferenze tra le fotocellule e altri dispositivi interrompendo con un cilindro (diametro 5 cm, lunghezza 30 cm) l'asse ottico che unisce la coppia di fotocellule (**fig. 45**): passare il cilindro prima vicino alla fotocellula TX, poi vicino alla RX e infine al centro, tra le due fotocellule. Quindi, accertare che il dispositivo intervenga in tutti i casi, passando dallo stato di **attivo** a quello di **allarme** e viceversa; infine, accertare che provochi nella Centrale l'azione prevista (ad esempio, l'inversione del movimento nella manovra di *Chiusura*).

5 Eseguire la misura della forza d'impatto secondo quanto previsto dalla norma EN 12445 ed eventualmente, se il controllo della "forza motore" viene usato come ausilio al sistema per la riduzione della forza di impatto, provare e infine trovare la regolazione che dia i risultati migliori.

6 Comandare una manovra di *Chiusura* e verificare la forza dell'impatto del portone contro la superficie del pavimento. Se necessario, provare a scaricare la pressione, trovando una regolazione che dia risultati migliori.

MESSA IN SERVIZIO DELL'AUTOMAZIONE

La messa in servizio può avvenire solo dopo aver eseguito con esito posi-

tivo tutte le fasi di collaudo. Non è consentita la messa in servizio parziale o in situazioni "provvisorie".

- 1 Realizzare il fascicolo tecnico dell'automazione che dovrà comprendere i seguenti documenti: un disegno complessivo (vedere l'esempio di fig. 6, 7, 8), lo schema dei collegamenti elettrici effettuati (vedere gli esempi del PAS-SO 6), l'analisi dei rischi presenti e le relative soluzioni adottate (vedere nel sito www.niceforyou.com i moduli da compilare), la dichiarazione di conformità del fabbricante di tutti i dispositivi utilizzati e la dichiarazione di conformità compilata dall'installatore (vedere nella sezione "DOCUMENTAZIONE TECNICA").
- 2 Apporre sul portone una targhetta contenente almeno i seguenti dati: tipo di automazione, nome e indirizzo del costruttore, responsabile della "messa in servizio", numero di matricola, anno di costruzione e marchio "CE".
- 3 Compilare e consegnare al proprietario dell'automazione la dichiarazione di conformità; a tale scopo deve essere compilato il modulo "Dichiarazione CE di conformità" presente nella sezione "DOCUMENTAZIONE TECNICA".
- 4 Compilare e consegnare al proprietario dell'automazione il modulo "Manuale per l'uso" presente nella sezione "DOCUMENTAZIONE TECNICA".
- 5 Compilare e consegnare al proprietario dell'automazione il modulo "Piano di manutenzione" presente nella sezione "DOCUMENTAZIONE TECNICA", che raccoglie le prescrizioni sulla manutenzione di tutti i dispositivi dell'automazione.
- 6 Prima di mettere in servizio l'automatismo informare adeguatamente il proprietario sui pericoli ed i rischi residui ancora presenti.
- 7 Fissare in maniera permanente sul portone una etichetta o targa con l'immagine di fig. 46 (altezza minima 60 mm) con scritto "ATTENZIONE RISCHIO DI SCHIACCIAMENTO".

INTERVENTI DI MANUTENZIONE PERIODICA

In generale, il presente prodotto non necessita di manutenzioni particolari; tuttavia, un controllo regolare nel tempo consente di mantenere in efficienza l'impianto e di assicurare il regolare funzionamento dei sistemi di sicurezza installati. Quindi, per effettuare una manutenzione corretta, fare riferimento al capitolo "Piano di Manutenzione" presente nella sezione "DOCUMENTAZIONE TECNICA" alla fine del manuale.

SMALTIMENTO DEL PRODOTTO

Questo prodotto è parte integrante dell'automazione, e dunque, deve essere smaltito insieme con essa.

Come per le operazioni d'installazione, anche al termine della vita di questo prodotto, le operazioni di smantellamento devono essere eseguite da personale qualificato.

Questo prodotto è costituito da vari tipi di materiali: alcuni possono essere riciclati, altri devono essere smaltiti. Informatevi sui sistemi di riciclaggio o smaltimento previsti dai regolamenti vigenti sul vostro territorio, per questa categoria di prodotto.

Attenzione! – alcune parti del prodotto possono contenere sostanze inquinanti o pericolose che, se disperse nell'ambiente, potrebbero provocare effetti dannosi sull'ambiente stesso e sulla salute umana.

Come indicato dal simbolo a lato, è vietato gettare questo prodotto nei rifiuti domestici. Eseguire quindi la "raccolta separata" per lo smaltimento, secondo i metodi previsti dai regolamenti vigenti sul vostro territorio, oppure riconsegnare il prodotto al venditore nel momento dell'acquisto di un nuovo prodotto equivalente.



Attenzione! – i regolamenti vigenti a livello locale possono prevedere pesanti sanzioni in caso di smaltimento abusivo di questo prodotto.

DICHIARAZIONE CE DI CONFORMITÀ

Dichiarazione in accordo alle Direttive: 1999/5/CE (R&TTE), 2004/108/CE (EMC); 2006/42/CE (MD) allegato II, parte B

Nota - Il contenuto di questa dichiarazione corrisponde a quanto dichiarato nel documento ufficiale depositato presso la sede di Nice S.p.a., e in particolare, alla sua ultima revisione disponibile prima della stampa di questo manuale. Il testo qui presente è stato riadattato per motivi editoriali. Copia della dichiarazione originale può essere richiesta a Nice S.p.a. (TV) I.

Numero: 290/SHEL	Revisione: 2	Lingua: IT
Nome produttore:	NICE s.p.a.	
Indirizzo:	Via Pezza Alta 13, Z.I. Rustignè, 31046 Oderzo (TV) Italia	
Persona autorizzata a costituire la documentazione tecnica:	Sig. Oscar Marchetto.	
Tipo:	Motoriduttore elettromeccanico e relativi accessori	
Modelli:	SHEL50, SHEL75	
Accessori:	Radiocomandi serie FLO, FLOR, Smilo	

Il sottoscritto Luigi Paro in qualità di Amministratore Delegato, dichiara sotto la propria responsabilità che i prodotti sopra indicati risulta conforme alle disposizioni imposte dalle seguenti direttive:

- Direttiva 1999/5/CE DEL PARLAMENTO EUROPEO E DEL CONSIGLIO del 9 marzo 1999 riguardante le apparecchiature radio e le apparecchiature terminali di comunicazione e il reciproco riconoscimento della loro conformità, secondo le seguenti norme armonizzate:
 - Protezione della salute (art. 3(1)(a)): EN 50371:2002
 - Sicurezza elettrica (art. 3(1)(a)): EN 60950-1:2006
 - Compatibilità elettromagnetica (art. 3(1)(b)): EN 301 489-1 V1.8.1:2008, EN 301 489-3 V1.4.1:2002
 - Spettro radio (art. 3(2)): EN 300 220-2 V2.1.2:2007
- DIRETTIVA 2004/108/CE DEL PARLAMENTO EUROPEO E DEL CONSIGLIO del 15 dicembre 2004 concernente il ravvicinamento delle legislazioni degli Stati membri relative alla compatibilità elettromagnetica e che abroga la direttiva 89/336/CEE, secondo le seguenti norme armonizzate: EN 61000-6-2:2005, EN 61000-6-3:2007

Inoltre il prodotto risulta essere conforme alla seguente direttiva secondo i requisiti previsti per le "quasi macchine":

- Direttiva 2006/42/CE DEL PARLAMENTO EUROPEO E DEL CONSIGLIO del 17 maggio 2006 relativa alle macchine e che modifica la direttiva 95/16/CE (rifusione)
 - Si dichiara che la documentazione tecnica pertinente è stata compilata in conformità all'allegato VII B della direttiva 2006/42/CE e che sono stati rispettati i seguenti requisiti essenziali: 1.1- 1.1.2- 1.1.3- 1.2.1-1.2.6- 1.5.1-1.5.2- 1.5.5- 1.5.6- 1.5.7- 1.5.8- 1.5.10- 1.5.11
 - Il produttore si impegna a trasmettere alle autorità nazionali, in risposta ad una motivata richiesta, le informazioni pertinenti sulla "quasi macchina", mantenendo impregiudicati i propri diritti di proprietà intellettuale.
 - Qualora la "quasi macchina" sia messa in servizio in un paese europeo con lingua ufficiale diversa da quella usata nella presente dichiarazione, l'importatore ha l'obbligo di associare alla presente dichiarazione la relativa traduzione.
 - Si avverte che la "quasi macchina" non dovrà essere messa in servizio finché la macchina finale in cui sarà incorporata non sarà a sua volta dichiarata conforme, se del caso, alle disposizioni della direttiva 2006/42/CE.

Inoltre risulta conforme alle seguenti norme: EN 60335-1:2002 + A1:2004 + A11:2004 + A12:2006 + A2:2006 + A13:2008; EN 60335-2-103:2003

Risulta conforme, limitatamente alle parti applicabili, alle seguenti norme: EN 13241-1:2003, EN 12445:2002, EN 12453:2002, EN 12978:2003

Oderzo, 23 maggio 2011

Ing. Luigi Paro (Amministratore Delegato)

CARATTERISTICHE TECNICHE DEI VARI COMPONENTI DEL PRODOTTO

AVVERTENZE:

- Il prodotto SHELKIT50 - SHELKIT75 è prodotto da Nice S.p.a. (TV) I.
- Tutte le caratteristiche tecniche riportate, sono riferite ad una temperatura ambientale di 20°C (± 5°C).
- Nice S.p.a. si riserva il diritto di apportare modifiche al prodotto in qualsiasi momento lo riterrà necessario, mantenendone comunque la stessa funzionalità e destinazione d'uso.

MOTORIDUTTORE:	SHEL50KIT	SHEL75KIT
Tecnologia adottata	Motore a 24 V	
Alimentazione	230 Vac 50/60 Hz	
Coppia massimo spunto	9 Nm	12 Nm
Coppia nominale	6 Nm	7,5 Nm
Spinta massima	500 N	750 N
Spinta nominale	350 N	450 N
Potenza massima	200 W	280 W
Velocità di movimento	0.07 ÷ 0.13 m/s	0.08 ÷ 0.14 m/s
Tempo massimo funzionamento continuo	4 minuti	
Cicli / h alla coppia nominale (20°)	8	
Temperatura amb. Di funzionamento	-20° C ÷ +50° C	
Dimensione	305 x 109 h x 130 (mm)	
Peso	4 kg	
Classe di isolamento	1	
Luce di cortesia	12 V / 10 W attacco BA15	
Ingresso STOP	Per contatti normalmente chiusi, normalmente aperti oppure con resistenza costante 8,2 KΩ; in autoapprendimento (una variazione rispetto allo stato memorizzato provoca il comando "STOP").	
Ingresso PASSO-PASSO	Per contatti normalmente aperti	
Ingresso FOTO	Per dispositivi di sicurezza con contatti normalmente chiusi	
Ricevitore radio	Incorporato	
Funzioni programmabili	4 funzioni programmabili (vedi paragrafo 6.3). Autoapprendimento del tipo di dispositivo di "STOP (contatto NA, NC o resistenza 8,2 KΩ).	
Funzioni in autoapprendimento	Autoapprendimento delle posizioni di apertura e chiusura del portone e calcolo dei punti di rallentamento ed apertura parziale.	
Utilizzo in atmosfera particolarmente acida o salina o potenzialmente esplosiva	No	
Grado di protezione	IP 40 utilizzo solo in ambienti interni o protetti	
Durabilità stimata (*)	da 40.000 a 80.000 cicli di manovre	

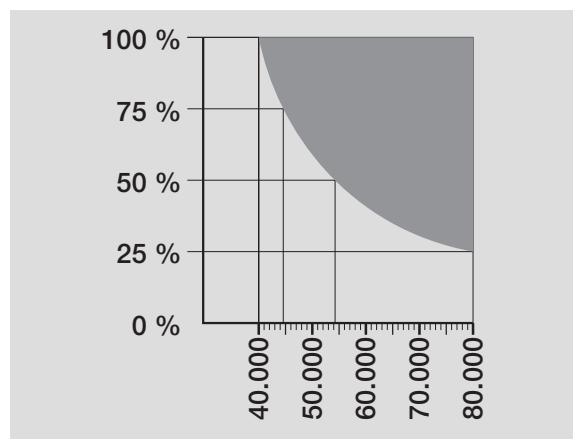
(*) Nota - La durabilità stimata del prodotto è compresa tra 40.000 e 80.000 cicli di manovre. Per stabilire la durabilità probabile del vostro automatismo procedere nel modo seguente:

a) - valutare le condizioni di uso e le forze in gioco presenti nel vostro impianto come ad esempio...

- il peso e la lunghezza del portone;
- il perfetto bilanciamento del portone;
- lo stato di manutenzione dei cardini del portone;
- la tipologia del portone: cieca o con molte aperture;
- presenza di vento forte;
- frequenza di uso dell'automazione.

b) - ricavare da queste valutazioni un valore espresso in percentuale che, in generale, definisca il maggiore o minore grado di logorio dell'automatismo.

c) - individuare nel grafico di a lato la percentuale stimata (al punto "b") e leggere in corrispondenza di questa il numero di cicli di manovre.



TRASMETTITORE FLO4R-S

DESCRIZIONE	DATI
Tipologia	Trasmettitore 4 canali per radiocomando
Frequenza	433.92 MHz
Codifica	Digitale Rolling code a 52 Bit, tipo FLOR
Tasti	4
Potenza irradiata	100 µW
Alimentazione	12 Vdc con batteria tipo 23 A
Durata delle batterie	1 anno, stimata su una base di 20 comandi/giorno della durata di 1s a 20°C (alle basse temperature l'efficienza delle batterie diminuisce)
Temperatura ambientale di funzionamento	-40°C ÷ 85°C
Grado di protezione	IP 40 (utilizzo in casa o ambienti protetti)
Dimensioni	72 x 40 h x 18 mm
Peso	30 g

AVERTISSEMENTS ET PRECAUTIONS GENERALES POUR LA SECURITE**PHASE 1**

- Opérer en conditions de sécurité ! 2
- Avertissements pour l'installation 2

CONNAISSANCE DU PRODUIT ET PREPARATION A L'INSTALLATION**PHASE 2**

- 2.1 - Description du produit et application 2
- 2.2 - Composants utiles pour réaliser une installation complète 3

PHASE 3

- Contrôles avant l'installation 3
- 3.1 - Vérifier que le lieu et la porte de garage à automatiser sont appropriés 3
- 3.2 - Vérifier les limites d'application du produit 3

PHASE 4

- 4.1 - Travaux préalables 3
 - 4.1.1 - Installation typique de référence 3
 - 4.1.2 - Établir la position des différents composants 3
 - 4.1.3 - Établir suivant quel schéma connecter les dispositifs 3
 - 4.1.4 - Vérifier les équipements nécessaires pour effectuer le travail 3
 - 4.1.5 - Effectuer les travaux préalables 3
- 4.2 - Pose des câbles électriques 3

INSTALLATION: MONTAGE ET CONNEXIONS DES COMPOSANTS**PHASE 5**

- 5.1 - Installer les composants de l'automatisme 4
- 5.2 - Fixer l'automatisme au mur, au plafond et à la porte 4

PHASE 6

- Effectuer l'installation et le branchement des dispositifs présents dans l'installation 5

BRANCHEMENT AU SECTEUR

- PHASE 7 5

PREMIÈRE MISE EN SERVICE ET VÉRIFICATION DES CONNEXIONS ÉLECTRIQUES

- PHASE 8 5

PROGRAMMATION DE L'AUTOMATISME**PHASE 9**

- 9.1 - Mémorisation de l'émetteur mod. FLO4R-S 6
- 9.2 - Mémorisation des positions des fins de course en « Ouverture » et en « Fermeture » de la porte de garage 6

RÉGLAGES ET AUTRES FONCTIONS EN OPTION

- 10 - Réglage du fonctionnement de l'automatisme 6
- 11 - Mémorisation d'un nouvel émetteur avec la procédure « à proximité » de la logique de commande 7
- 12 - Effacement des données présentes dans la mémoire de la logique de commande 7

- QUE FAIRE SI... (guide à la résolution des problèmes) 8

OPERATIONS RESERVEES A UN TECHNICIEN QUALIFIE

- Branchement de l'automatisme au secteur 8
- Essai et mise en service de l'automatisme 8
- Mise au rebut du produit 9
- Déclaration CE de conformité 9

CARACTÉRISTIQUES TECHNIQUES DES DIFFÉRENTS COMPOSANTS DU PRODUIT 10**GUIDE DE L'UTILISATEUR ET IMAGES III****GUIDE DE L'UTILISATEUR ET IMAGES VIII - XIV**

AVERTISSEMENTS ET PRÉCAUTIONS GÉNÉRALES POUR LA SÉCURITÉ

PHASE 1

OPÉRER EN CONDITIONS DE SÉCURITÉ !

⚠ Attention - Pour la sécurité des personnes, il est important de respecter ces instructions.

⚠ Attention - Instructions importantes pour la sécurité : conserver par conséquent ces instructions.

La conception, la fabrication des dispositifs qui composent le produit et les informations contenues dans ce guide respectent pleinement les normes en vigueur en matière de sécurité. Toutefois, une installation et une programmation incorrectes peuvent causer de graves blessures aux personnes qui effectuent le travail et à celles qui utiliseront l'installation. Pour cette raison, au cours de l'installation, il est important de suivre attentivement toutes les instructions figurant dans ce guide.

Ne pas effectuer l'installation si le moindre doute persiste et demander les éclaircissements nécessaires au Service après-vente Nice.

Si c'est la première fois que vous vous apprêtez à réaliser un automatisme pour portes de garage (« sectionnelles » ou « basculantes »), nous vous conseillons de consacrer un peu de votre temps à la lecture de ce guide, il est préférable de le faire avant de commencer le travail, sans être pressé de passer aux opérations concrètes.

D'autre part, gardez à portée de la main tous les dispositifs qui composent le produit, afin de pouvoir lire, essayer et vérifier (en excluant les phases de programmation) toutes les informations contenues dans ce guide.

Dans la lecture de ce guide, il faut faire particulièrement attention aux instructions signalées par le symbole :



Ces symboles indiquent des points qui peuvent être une source potentielle de danger et par conséquent, les opérations en question **doivent être effectuées exclusivement par du personnel qualifié et expérimenté**, dans le respect de ces instructions et des normes de sécurité en vigueur dans le pays d'installation.

⚠ AVERTISSEMENTS POUR L'INSTALLATION

D'après la législation européenne la plus récente, la réalisation d'une porte de garage automatique **doit respecter les normes prévues par la Directive 98/37/CE (Directive Machines)** et en particulier par les normes EN 12445, EN 12453, EN 12635 et EN 12341-1, qui permettent de déclarer la conformité présumée de l'automatisme.

De ce fait,

le branchement définitif de l'automatisme au secteur, l'essai de fonctionnement de l'installation, sa mise en service et la maintenance périodique **doivent être effectués par du personnel qualifié et expert**, en respectant les instructions figurant dans l'encadré « *Opérations réservées à un technicien qualifié* ». De plus, ce dernier devra se charger d'établir également les essais prévus en fonction des risques présents et devra vérifier le respect de ce qui est prévu par les lois, les normes et les réglementations : en particulier, le respect de toutes les exigences requises par la norme EN 12445 qui établit les méthodes d'essai pour la vérification des automatismes pour portes de garage.

En effet, en ce qui concerne tous les travaux de préparation initiale, d'installation et de programmation, ces derniers peuvent être effectués également par du personnel qui n'est pas particulièrement qualifié, à condition de respecter scrupuleusement et dans l'ordre indiqué, toutes les instructions données dans ce guide et, en particulier, les recommandations de cette PHASE 1.

Avant de commencer l'installation, effectuer les analyses et vérifications suivantes :

– vérifier que les différents dispositifs destinés à l'automatisme sont adaptés à l'installation à réaliser. Pour cela, contrôler avec une attention particulière les données figurant dans le chapitre « *Caractéristiques techniques* ». Ne pas effectuer l'installation si même un seul de ces dispositifs n'est pas adapté à l'utilisation.

– vérifier si les dispositifs présents dans le kit sont suffisants pour garantir la sécurité de l'installation et sa fonctionnalité.

– effectuer l'analyse des risques qui doit comprendre aussi la liste des exigences essentielles de sécurité requises par l'« *annexe I de la Directive Machines* », en indiquant les solutions adoptées. Nous rappelons que l'analyse des risques est l'un des documents qui constituent le « dossier technique » de l'automatisation. Ce dernier doit être rempli par un installateur professionnel.

Compte tenu des situations de risque qui peuvent se vérifier durant les phases d'installation et d'utilisation du produit, il faut installer l'automatisme en respectant les recommandations qui suivent :

– ne pas effectuer de modifications sur des parties de l'automatisme telles qu'elles soient, en dehors de celles qui sont décrites dans ce guide. Des opérations de ce type ne peuvent que provoquer des problèmes de fonctionnement. Le constructeur décline toute responsabilité pour les dommages dérivant de produits modifiés arbitrairement.

– éviter que des composants de l'automatisme puissent être immergés dans l'eau ou dans d'autres substances liquides. Durant l'installation éviter que les liquides puissent pénétrer à l'intérieur de l'opérateur et des dispositifs présents. – si des substances liquides pénètrent à l'intérieur de certains composants de l'automatisme, déconnecter immédiatement l'alimentation électrique et s'adresser au Service après-vente Nice. L'utilisation de l'automatisme dans ces conditions peut constituer des situations de danger.

– ne pas mettre les différents composants de l'automatisme à proximité de sources de chaleur ni l'exposer à des flammes vives. Ces actions peuvent les endommager et causer des problèmes de fonctionnement, un incendie ou des situations de danger.

– toutes les opérations qui demandent l'ouverture du carter de protection des différents composants de l'automatisme, doivent être effectuées avec la logique de commande déconnectée. Si le dispositif de déconnexion n'est pas visible, y accrocher un panneau indiquant : « ATTENTION ! MAINTENANCE EN COURS ».

– le clavier de commande mural doit être positionné de manière à être visible depuis l'automatisme, mais loin des parties en mouvement, à une hauteur supérieure à 1,5 m du sol et non accessible au public.

– vérifier qu'il n'y a pas de risques d'écrasement durant la manœuvre de *Fermeture* ; installer éventuellement des dispositifs de sécurité supplémentaires.

– si la porte à automatiser est munie d'un portillon pour piétons, il faut munir l'installation d'un système de contrôle empêchant le fonctionnement du moteur quand le portillon pour piétons est ouvert.

– prévoir, sur la ligne d'alimentation de l'installation, un dispositif de déconnexion avec une distance d'ouverture des contacts permettant la déconnexion complète dans les conditions prescrites par la catégorie de surtension III.

– si le câble d'alimentation est endommagé, il doit être remplacé par Nice ou par son service après-vente ou dans tous les cas par une personne possédant une qualification similaire, de manière à prévenir tout risque.

– le produit n'est pas destiné à être utilisé par des personnes (enfants compris) aux capacités physiques, sensorielles ou mentales réduites, ou manquant d'expérience ou de connaissances, à moins que celles-ci aient pu bénéficier, par l'intermédiaire d'une personne responsable de leur sécurité, d'une surveillance ou d'instructions sur l'utilisation du produit.

– le produit ne peut pas être considéré comme un système de protection efficace contre l'intrusion. Si vous souhaitez vous protéger de manière efficace, vous devez compléter l'automatisme avec d'autres dispositifs.

– la logique de commande doit être connectée à une ligne d'alimentation électrique avec mise à la terre.

– le produit peut être utilisé exclusivement après que la « mise en service » de l'automatisme a été effectué, comme prévu dans le paragraphe « *Essai et mise en service de l'automatisme* » figurant dans l'encadré « *Opérations réservées à un technicien qualifié* ».

– les matériaux d'emballage de tous les composants de l'automatisme doivent être mis au rebut dans le plein respect des normes locales en vigueur.

CONNAISSANCE DU PRODUIT ET PRÉPARATION À L'INSTALLATION

PHASE 2

2.1 – DESCRIPTION DU PRODUIT ET APPLICATION

En général, l'ensemble des dispositifs qui composent le présent produit est destiné à automatiser une porte de garage à usage résidentiel (fig. 1). Celle-ci peut être « sectionnelle » ou « basculante » ; la porte basculante peut être à son tour débordante (durant l'ouverture la porte dépasse à l'extérieur) ou non débordante et être munie de ressorts ou de contrepoids.

En particulier, le présent kit est destiné à l'automatisation exclusive d'une porte « sectionnelle ». Par conséquent, pour automatiser une porte « basculante », il faut monter un bras oscillant spécifique (mod. SPA5, accessoire non inclus dans l'emballage).

Toute autre utilisation différente de celle décrite et dans des conditions ambiantes différentes de celles indiquées dans la PHASE 3 doit être considérée comme impropre et interdite !

Le présent produit est composé d'un opérateur électromécanique avec un moteur en courant continu à 24V, un rail, une chaîne et un chariot d'entraînement. L'opérateur contient aussi une logique de commande.

La logique de commande est constituée d'une carte électronique, d'un éclairage automatique et de signalisation et d'un récepteur radio incorporé, plus l'antenne, qui reçoit les commandes envoyées par l'utilisateur.

La logique de commande est en mesure de gérer différents types de manœuvres, chacune programmable et utilisable suivant les exigences de l'utilisateur.

Par ailleurs, elle dispose de différentes fonctions spéciales qui permettent de personnaliser le fonctionnement de l'automatisme.

L'automatisme est prévu pour être utilisé avec différents accessoires qui en augmentent la fonctionnalité et garantissent la sécurité. En particulier, la mémoire de la logique de commande peut mémoriser jusqu'à 150 touches

mod. FLO4R-S et jusqu'à 4 paires de photocellules mod. MOF/MOFO. Le produit fonctionne sur secteur et, en cas de coupure de courant (*black-out*), il permet de déplacer la porte de garage à la main en débloquent le chariot à l'aide du cordon de débrayage.

2.2 – COMPOSANTS UTILES POUR RÉALISER UNE INSTALLATION COMPLÈTE

La fig. 2 illustre tous les composants utiles pour réaliser une installation complète, type celle qui est illustrée fig. 8.

AVERTISSEMENT !

Certains composants présents sur la fig. 2 sont en option et peuvent ne pas être présents dans l'emballage.

Liste des composants utiles :

- [a] - opérateur électromécanique
- [b] - rail d'un seul tenant
- [c] - pattes de fixation de l'opérateur au plafond
- [d] - patte de fixation du rail au mur
- [e] - butée mécanique pour l'arrêt du chariot en fin de course
- [f] - renvoi de la chaîne
- [g] - chaîne d'entraînement
- [h] - tige d'entraînement de la porte de garage (pour portes sectionnelles uniquement)
- [i] - chariot
- [l] - cordon et poignée de débrayage de l'automatisme
- [m] - patte pour assembler la tige d'entraînement à la porte de garage
- [n] - bras oscillant et tige d'entraînement (mod. SPA5, pour portes basculantes uniquement)
- [o] - paire de photocellules (version murale) MOF/MOFO
- [p] - émetteur (portable) mod. FLO4R-S
- [q] - clavier de commande par radio mod. MOTXR (version murale)
- [r] - petites pièces métalliques (vis, rondelles, etc.)*

(* **Note** – Les vis nécessaires pour fixer les composants au mur ne sont pas comprises dans l'emballage. Leur typologie dépend du matériau et de l'épaisseur du mur dans lequel elles doivent être enfoncées.

PHASE 3

CONTRÔLES AVANT L'INSTALLATION

Avant d'effectuer l'installation, il faut vérifier l'intégrité des composants du produit, l'adéquation du modèle choisi et son adaptation au lieu prévu pour son installation.

IMPORTANT – L'opérateur ne peut pas automatiser une porte de garage qui n'est pas en état de marche et sûre. De plus, il ne peut pas résoudre les défauts causés par une installation incorrecte ou par une maintenance insuffisante de la porte de garage.

3.1 – VÉRIFIER QUE LE LIEU ET LA PORTE DE GARAGE À AUTOMATISER SONT APPROPRIÉS

- En cas d'automatisation d'une porte basculante débordante, vérifier que son mouvement n'encombre ni la rue ni le trottoir.
- Vérifier que la structure mécanique de la porte de garage est adaptée à l'automatisation et conforme aux normes locales en vigueur.
- Vérifier la robustesse de la structure mécanique de la porte de garage et contrôler qu'elle ne risque pas de sortir des rails.
- *Ouvrir et fermer* manuellement la porte de garage afin de s'assurer que le mouvement se produit avec un frottement égal et constant sur chaque point de la course (il ne doit pas y avoir de moments d'effort excessif).
- Vérifier que la porte de garage est bien équilibrée, à savoir, qu'elle ne doit pas bouger si on l'arrête (manuellement) dans une position quelconque.
- Vérifier que l'espace autour de l'automatisme est suffisant pour permettre une manœuvre manuelle de débrayage facile et sûre.
- Vérifier que les surfaces choisies pour installer les divers dispositifs sont solides et peuvent garantir une fixation stable.
- Vérifier que chaque dispositif à installer se trouve dans une position protégée, à l'abri des chocs accidentels.
- Vérifier que les surfaces choisies pour la fixation des photocellules sont plates et permettent un alignement correct des photocellules.

3.2 – VÉRIFIER LES LIMITES D'UTILISATION DU PRODUIT

Pour s'assurer que le produit est adapté aux particularités de la porte et au contexte spécifique à automatiser, il est nécessaire d'effectuer les vérifications indiquées ci-dessous et de contrôler leur conformité avec les données présentes dans ce paragraphe ainsi qu'avec les données techniques du chapitre « *Caractéristiques techniques du produit* ».

- Vérifier que les dimensions et le poids de la porte de garage se situent dans les limites d'application suivantes :

	SHEL50KIT	SHEL75KIT
Portes sectionnelles	350 x 240 cm	400 x 240 cm
Portes basculantes débordantes	350 x 280 cm	400 x 280 cm
Portes basculantes non débordantes	350 x 220 cm	400 x 220 cm

Note – La forme de la porte de garage et les conditions climatiques, telles que la présence de vent fort, peuvent réduire les valeurs maximales indiquées. Dans ce cas, il est important mesurer la force nécessaire pour manœuvrer la porte de garage dans la pire des conditions et de la comparer aux données indiquées dans les caractéristiques techniques de l'opérateur.

- Vérifier que l'espace prévu pour la fixation de l'opérateur et du rail est compatible avec les encombrements de l'automatisme. Contrôler ensuite qu'il est possible de respecter les espaces minimum et maximum indiqués sur les fig. 3, 4 et 5.

Attention ! – Si le résultat de ces vérifications n'est pas conforme aux prescriptions, ce modèle ne peut pas être utilisé pour automatiser la porte de garage en question.

PHASE 4

4.1 – TRAVAUX PRÉALABLES

4.1.1 – Installation typique de référence

Les fig. 6, 7 et 8 montrent un exemple d'installation d'automatisation réalisée avec les composants compatibles avec le présent produit. Ces composants sont positionnés et assemblés selon un schéma typique et commun. Les composants utilisés sont les suivants :

- a - Opérateur électromécanique
- b - Rail pour le coulissement du chariot
- c - Chariot d'entraînement
- d - Butée mécanique pour l'arrêt du chariot en fin de course
- e - Poignée pour le débrayage manuel du chariot
- f - Patte de fixation du chariot à la porte de garage
- g - Paire de photocellules (version murale) mod. MOF/MOFO
- h - Clavier de commande par radio (mural) mod. MOTXR
- i - Émetteur portable mod. FLO4R-S
- l - Touche

4.1.2 – Établir la position des différents composants

En se référant aux fig. 6, 7 et 8 établir la position approximative dans laquelle chaque composant prévu sera installé.

4.1.3 – Établir suivant quel schéma connecter les dispositifs

En se référant à la fig. 10 et à la PHASE 6 établir le schéma suivant lequel effectuer la connexion entre tous les dispositifs prévus dans l'installation.

4.1.4 – Vérifier les équipements nécessaires pour effectuer le travail

Avant de commencer l'installation du produit, contrôler d'avoir à disposition tous les outils et les matériaux nécessaires pour effectuer le travail (voir exemple fig. 9). De plus, vérifier que ces derniers sont en bonnes conditions et conformes à ce qui est prévu dans les normes locales sur la sécurité.

4.1.5 – Effectuer les travaux préalables

Effectuer les travaux pour le creusement des saignées pour les gaines des câbles électriques ou, en alternative, la pose de conduits à l'extérieur, puis la fixation dans le béton des tubes susdits et tous les autres travaux nécessaires pour préparer le site aux opérations successives d'installation.

ATTENTION ! – Positionner les extrémités des tubes pour le passage des câbles électriques près des points où on a prévu de fixer les différents composants.

Notes:

- Les tubes servent à protéger les câbles électriques et à éviter les détériorations accidentelles, par exemple en cas de chocs.
- Les dispositifs de commande de type « fixe » doivent être positionnés en vue de la porte de garage mais loin de ses parties mobiles et à une hauteur supérieure à 150 mm.

4.2 – POSE DES CÂBLES ÉLECTRIQUES

À l'exception du câble et de la fiche d'alimentation, toute l'installation est en très basse tension (24 V environ) ; la pose des câbles électriques peut donc être effectuée par du personnel sans qualification particulière à condition que soient scrupuleusement respectées toutes les instructions fournies dans ce guide.

Pour la pose des câbles électriques, se référer à la fig. 10 pour établir le type de câble à utiliser pour chaque branchement.

AVERTISSEMENTS :

– Dans la phase de pose des câbles électriques, **N'EFFECTUER AUCUN type de branchement électrique.**

– Faire installer par un électricien qualifié une prise « schuko » de 16 A, adéquatement protégée, pour le branchement de la fiche de l'opérateur. La prise doit être positionnée de sorte que, une fois que la fiche du câble d'alimentation est branchée, le câble ne pende pas au niveau de parties mobiles ou dans des zones dangereuses.

Caractéristiques techniques des câbles électriques (note 1)

	Dispositifs	Bornes	Fonction	Type de câble	Longueur maximum admise
A	Photocellules de sécurité	3 - 5	Entrée PHOTO	Émetteur - Câble 2 x 0,25 mm ²	20 m (note 2)
				Récepteur - Câble 3 x 0,25 mm ²	20 m (note 2)
B	Touche de commande	3 - 4	Entrée PAS À PAS	Câble 2 x 0,25 mm ²	20 m (note 2)
C	Touche de sécurité - Bords sensibles - etc.	1 - 2	Entrée STOP	Câble 2 x 0,25 mm ²	20 m (note 2)

Note 1 – Les câbles nécessaires pour la réalisation de l'installation (non inclus dans l'emballage) peuvent varier en fonction de la quantité et du type de dispositifs prévus sur l'installation.

Note 2 – Les branchements aux bornes 1- 2 (Stop), 4 - 5 (Pas à pas) et 3 - 5 (Photo) peuvent être faits en utilisant également un câble unique avec différents conducteurs internes.

ATTENTION ! – Les câbles utilisés doivent être adaptés au lieu d'installation prévu ; par exemple, il est conseillé d'utiliser un câble type H03VV-F pour la pose à l'intérieur.

INSTALLATION : MONTAGE ET CONNEXIONS DES COMPOSANTS

PHASE 5

5.1 – INSTALLER LES COMPOSANTS DE L'AUTOMATISME RECOMMANDATIONS

• Une installation incorrecte peut causer de graves blessures à la personne qui effectue le travail et à celles qui utiliseront l'installation.

• Avant de commencer l'assemblage de l'automatisme, faire les contrôles préliminaires décrits dans la PHASE 3.

Après la pose des câbles électriques, il faut assembler les parties mécaniques relatives au rail et à l'opérateur en suivant l'ordre indiqué ci-dessous.

- Emboîter le rail dans son logement présent sur l'opérateur (fig. 11).
- Enfiler dans le rail la butée mécanique de fin de course (a) et la déplacer pour la positionner à proximité de l'opérateur ; ensuite, placer la plaque (b) sur la butée et fixer le tout avec une vis (fig. 12). **Note** – La vis NE doit PAS être trop serrée car, dans un deuxième temps, il faudra déplacer la fin de course dans sa position définitive.
- Fixer avec deux vis les extrémités de la chaîne dans les rainures de la plaque du chariot (fig. 13).
- Assembler les deux plaques du chariot ; introduire la vis dans le support de la poulie de renvoi ; positionner la poulie de renvoi dans la chaîne et assembler le tout à la patte de renvoi avec le pivot fourni (fig. 14).
- Enfiler la chaîne et le chariot à l'intérieur du rail en respectant les indications suivantes :
Fig. 15-a) positionner le côté du chariot où la chaîne est fixée avec les vis du même côté que celui où se trouve le couvercle de la logique de commande ;
Fig. 15-b) positionner le chariot à peu près au milieu du rail.
- Faire passer la chaîne autour du pignon de l'opérateur et fermer le tout avec le couvercle de protection (fig. 16).
- Monter la patte à l'extrémité du rail et fixer le tout avec une rondelle et un écrou (fig. 17).
- Tendre la chaîne en vissant l'écrou sur la vis de la patte de renvoi (fig. 18). **ATTENTION** – Si la chaîne est trop tendue, elle peut forcer et endommager l'opérateur ; si par contre elle n'est pas assez tendue, elle peut être excessivement bruyante.

09. POUR LES PORTES BASCULANTES UNIQUEMENT

Si la porte de garage à automatiser est basculante (débordante ou non - fig. 1), il faut installer le bras oscillant mod. SPA5 (fig. 19). Il faut ensuite assembler les composants du bras. **IMPORTANT** – Nous recommandons de positionner le bras le plus près possible de la poignée de la porte.

Pour le montage de la tige d'entraînement, consulter le point 10.

Note – pour le montage de l'accessoire, suivre les instructions contenues dans son emballage.

- ATTENTION !** – Si la porte est basculante, utiliser pour cette opération la tige d'entraînement fournie avec le bras oscillant.

Avant de monter la tige d'entraînement, il faut couper cette dernière à une longueur qui permette de respecter la valeur conseillée E sur la fig. 3.

Ensuite, fixer, avec les vis et les écrous, une extrémité de la tige d'entraînement à la patte (celle qui sera fixée à la porte de garage ou au bras oscillant) et l'autre extrémité au chariot (fig. 20).

- Fixer au chariot une extrémité du cordon pour le débrayage manuel et l'autre extrémité à la poignée (fig. 21). **Note** – Faire en sorte que la poignée de débrayage manuel soit positionnée à une hauteur inférieure ou égale à 180 cm par rapport au sol.

IMPORTANT ! - Effectuer les opérations suivantes avec la porte de garage FERMÉE.

- Dans le cas d'une porte SECTIONNELLE : établir la longueur de la mesure B considérant la contrainte constituée par les mesures A et E (fig. 3).
 - Dans le cas d'une porte BASCULANTE : établir la longueur de la mesure B considérant la contrainte constituée par la mesure F (fig. 4).
- Note** – Si les mesures A, E ou F le permettent, l'automatisme peut aussi être fixé directement au plafond (minimum 4 mm).
- Plier en « L » les deux pattes de fixation du rail au plafond et les monter à proximité de l'opérateur au moyen de vis et d'écrous (fig. 22).
Note – choisir sur les pattes le trou le plus adapté pour respecter la mesure B établie au point 12.

5.2 – FIXER L'AUTOMATISME AU MUR, AU PLAFOND ET À LA PORTE

Après l'assemblage du rail et de l'opérateur, fixer l'automatisme au mur, au plafond et à la porte de garage de la façon suivante.

- À l'aide d'un dispositif de support (type échelles, tiges ou autre), soulever l'opérateur et le positionner en haut, de sorte que les pattes du rail se trouvent posées contre le plafond et le mur au-dessus de la porte de garage (fig. 23). **IMPORTANT** – (fig. 23-a) aligner le rail et l'opérateur avec l'axe vertical de la porte de garage perpendiculairement à ce dernier (angle de 90°). **Note** – Pour les portes basculantes, le rail doit être aligné au niveau du bras oscillant.

Vérifier également que les mesures A, B, C et E de la fig. 3 et B et F de la fig. 4 sont respectées.

- Contrôler la position du rail qui doit être parfaitement horizontal ; marquer les 4 points de fixation des pattes puis percer les trous et introduire les chevilles (fig. 24).
- Fixer l'automatisme au plafond et sur le mur en utilisant des vis et des chevilles adaptés au matériau (fig. 25).

Notes :

• Selon le type et le matériau du mur, la patte sur l'extrémité du rail peut être fixée avec des rivets ou des vis et des chevilles.

• Choisir avec attention la méthode de fixation des pattes au plafond et au mur considérant que :

– la patte à l'extrémité du rail devra supporter l'effort nécessaire pour ouvrir et fermer la porte de garage ;

– les pattes au plafond devront supporter le poids de l'opérateur.

Dans les deux cas, il faudra contrôler l'usure et les déformations qui risquent de se produire dans le temps.

- Couper avec une scie la partie des pattes fixées au plafond qui dépasse (fig. 26).
- (Avec la porte de garage fermée) Tirer la poignée de débrayage et faire coulisser le chariot jusqu'à ce que la patte d'ancrage se trouve posée contre le bord supérieur de la porte sectionnelle ou jusqu'à ce qu'elle atteigne le point d'ancrage du bras oscillant (dans le cas de la porte bas-

culante). Ensuite, aligner la tige d'entraînement dans la trajectoire du rail et fixer la patte à la porte de garage à l'aide de rivets ou de vis adaptées au matériau de la porte (fig. 27) ;

06. Desserrer légèrement la vis de la butée mécanique de fin de course et ouvrir manuellement la porte de garage jusqu'à la position d'Ouverture maximale (fig. 28).
07. Déplacer la butée mécanique de fin de course vers le chariot et la positionner contre ce dernier.
Ensuite, bloquer définitivement la butée mécanique de fin de course en vissant la vis à fond (fig. 29).
Note – Dans le fonctionnement normal, le chariot s'arrêtera quelques centimètres avant la butée mécanique.
08. Pour bloquer de nouveau la porte, la fermer à la main jusqu'à ce qu'on entende un déclic sec.

PHASE 6

Après avoir installé tous les dispositifs prévus dans l'installation – chacun dans la position prévue dans la PHASE 4 – connecter chaque dispositif à la logique de commande de la façon suivante.

ATTENTION ! – Une connexion incorrecte peut provoquer des pannes ou des situations de danger ; respecter par conséquent scrupuleusement les connexions indiquées.

01. Dévisser avec un tournevis la vis du couvercle de la logique de commande et le faire coulisser vers l'extérieur (fig. 30), pour accéder aux bornes pour les connexions électriques présentes sur la logique.
02. Avec le même tournevis, ouvrir les fentes pour le passage des câbles électriques (fig. 31) provenant des dispositifs installés ;
03. Connecter ensuite à la logique de commande les câbles électriques des différents dispositifs en utilisant le bornier à cinq bornes (fig. 32).

ATTENTION – La portion de câble électrique qui relie les bornes 3 et 5 ne doit être retirée que s'il est prévu d'installer des photocellules.

Pour exécuter correctement ces connexions procéder de la façon suivante.

• Pour connecter une paire de photocellules comme dispositif de sécurité

Dans l'installation on peut avoir une ou plusieurs paires de photocellules avec fonction de sécurité. Si on installe différentes paires de photocellules, celles-ci doivent être connectées entre elles « en série » et la chaîne doit être connectée aux bornes 3 et 5 présentes sur la logique de commande. Pour finir, connecter leur alimentation aux bornes 2 et 3 (voir l'exemple de la fig. 33 et 34).

Durant la manœuvre de Fermeture, l'intervention de ces photocellules provoque l'arrêt de la manœuvre et l'inversion immédiate du mouvement.

• Pour connecter une touche de type « NO » utilisée pour commander les manœuvres

Dans l'installation, on peut avoir une touche de type « NO », c'est-à-dire « normalement ouverte », pour commander les manœuvres en mode « Pas à pas » (pour les détails sur ce mode, voir la PHASE 9). Connecter cette touche aux bornes 3 et 4 présentes sur la Logique.

Note – Si on installe différentes touches pour commander les manœuvres, les connecter entre elles « en parallèle », comme l'illustre la fig. 35 et 36.

• Pour connecter d'autres dispositifs de sécurité différents des photocellules

En dehors des photocellules, l'installation peut avoir d'autres dispositifs de sécurité avec différents types de contact. Ces derniers sont :

- dispositifs avec contact « normalement ouvert » (« NO ») ;
- dispositifs avec contact « normalement fermé » (« NF ») ;
- dispositifs avec résistance constante de 8,2 K Ω .

Ces dispositifs doivent être connectés aux bornes 1 et 2 présentes sur la logique ; de plus, il est possible de connecter même plus d'un dispositif aux mêmes bornes en opérant de la façon suivante :

- A) – pour connecter entre eux un ensemble de dispositifs de type « NO », adopter un schéma de connexion « en parallèle », comme l'illustre la fig. 37.
- B) – pour connecter entre eux un ensemble de dispositifs de type « NF », adopter un schéma de connexion « en série », comme l'illustre la fig. 38.
- C) – pour connecter entre eux un ensemble de dispositifs avec résistance constante de 8,2 K Ω , adopter un schéma de connexion « en parallèle », en mettant la résistance (8,2 K Ω) sur le dernier dispositif, comme l'illustre la fig. 39.
- D) – pour connecter entre eux un ensemble de dispositifs avec différents types de contact (« NO », « NF » et une résistance constante de 8,2 K Ω), adopter un schéma de connexion mixte, « en série » et « en parallèle », comme l'illustre la fig. 40.

Note – Seuls les dispositifs de sécurité avec sortie à résistance constante 8,2 K Ω garantissent la catégorie 3 de sécurité aux pannes selon la norme EN 954-1.

L'intervention de ces dispositifs de sécurité provoque l'arrêt de la manœuvre en cours et une brève inversion du mouvement.

• Alimenter des dispositifs différents de ceux qui sont cités dans ce chapitre

L'installation peut être équipée d'autres types de dispositifs par rapports à ceux qui sont cités, comme par exemple un récepteur universel à relais. Ces dispositifs doivent être connectés aux bornes 2 et 3 présentes sur la logique de commande. **Attention !** – Dans les bornes 2 et 3 est présente une tension de 24 Vcc et le courant est de 100 mA. La somme du courant absorbé par les différents dispositifs connectés à ces bornes ne doit pas dépasser cette valeur.

AVERTISSEMENT – Quand les branchements sont terminés, bloquer tous les câbles en utilisant des colliers ; ensuite, remettre le couvercle sur la logique de commande.

BRANCHEMENT AU SECTEUR

PHASE 7

AVERTISSEMENTS !

– Le câble d'alimentation en PVC fourni avec le produit est adapté pour une installation à l'intérieur.

– Le branchement définitif de l'automatisme au secteur ou le remplacement du câble fourni doivent être effectués exclusivement par un électricien qualifié et expérimenté, dans le respect des normes de sécurité locales en vigueur et des instructions figurant dans l'encadré « Opérations réservées à un technicien qualifié ».

Pour effectuer les essais de fonctionnement et la programmation de l'automatisme, alimenter la logique de commande en branchant la fiche du câble d'alimentation fourni dans une prise électrique (fig. 44).

Si la prise se trouve loin de l'automatisme, dans cette phase on peut utiliser une rallonge.

PREMIÈRE MISE EN SERVICE ET VÉRIFICATION DES CONNEXIONS ÉLECTRIQUES

PHASE 8

ATTENTION ! – Toutes les opérations successives décrites dans le guide sont effectuées sur des circuits électriques sous tension et les manœuvres peuvent donc être dangereuses ! Procéder par conséquent en prenant toutes les précautions.

Après avoir mis sous tension la logique de commande (fig. 41) effectuer les opérations énumérées ci-après, en vérifiant la conformité des résultats :

• La LED rouge (fig. 42) clignote aussitôt rapidement pendant quelques secondes puis les LED verte et rouge s'allument alternativement ; enfin, la LED verte s'éteint et la LED rouge continue à clignoter à un rythme régulier, toutes les secondes (= état de fonctionnement régulier de la logique de commande).

Attention ! – Si la led rouge ne clignote pas de la façon décrite, il est conseillé de couper l'alimentation électrique de la logique de commande et de contrôler attentivement les connexions effectuées (consulter également le chapitre « Que faire si... »).

• Si les photocellules sont comprises dans l'installation, vérifier sur le récepteur si la LED est éteinte (= fonctionnement régulier) ou allumée (= présence d'un obstacle). Si par contre la LED clignote, cela signifie que le signal est peu clair et généré par un mauvais alignement des deux photocellules.

• Si l'installation comprend un clavier de commande par radio, vérifier son fonctionnement en consultant la notice d'instructions correspondante.

PHASE 9

RECOMMANDATIONS pour la programmation :

Il est conseillé de lire la procédure **d'abord** et **d'effectuer ensuite** les opérations, **en exécutant ces différentes phases les unes après les autres**, sans laisser s'écouler plus de 10 secondes entre le moment où on relâche une touche et la pression d'une autre touche ;

• Dans ce guide, les touches de l'émetteur sont identifiées par des chiffres. Pour connaître la correspondance entre les chiffres cités et les touches de l'émetteur voir la fig. 43.

9.1 – MÉMORISATION DE L'ÉMETTEUR mod. FLO4R-S

Pour pouvoir commander l'automatisme avec l'émetteur, il faut mémoriser ses touches dans la mémoire de la logique de commande.

La mémorisation permet d'associer à chaque touche une commande désirée, en choisissant parmi les suivantes disponibles :

1 = Pas à pas : correspond à la séquence ... *Ouverture - Stop - Fermeture - Stop* ... La première commande active l'*Ouverture* ; la suivante, avec la porte en mouvement commande le *Stop* ; la troisième, la *Fermeture* ; la quatrième, avec la porte en mouvement, commande le *Stop* et ainsi de suite...

2 = Pas-Ouverture : correspond à la séquence ... *Ouverture - stop - fermeture - ouverture* ... La première commande active l'*Ouverture* ; la suivante, avec la porte en mouvement commande le *Stop* ; la troisième, la *Fermeture* ; la quatrième, avec la porte en mouvement, commande l'*Ouverture* et ainsi de suite...

3 = Ouverture partielle : correspond à une brève ouverture de la porte. Cette commande n'a d'effet que si la porte est complètement fermée.

4 = Éclairage automatique : ... *On - Off - On* ...

La simple exécution de la procédure mémorise **une seule touche** de l'émetteur ; cette touche peut être mémorisée aussi bien sur cette logique de commande que sur les logiques de commande d'autres automatismes. La mémoire de la logique de commande peut mémoriser jusqu'à 150 touches. Pour chaque touche que l'on souhaite mémoriser, répéter la procédure qui suit.

01. Choisir la touche de l'émetteur que l'on veut mémoriser (exemple : *la touche T3*).
02. Choisir quelle commande, parmi celles qui sont indiquées plus haut, on veut associer à la touche choisie (exemple : *la commande « 2 »*).
03. Presser la touche « P1 » (sur la logique de commande) un nombre de fois équivalent au numéro de la commande choisie (*dans notre exemple : « 2 » fois*) et vérifier que la led verte émet le même nombre de clignotements rapides (ces derniers se répètent à un rythme régulier).
04. (dans les 10 secondes qui suivent) Maintenir enfoncée sur l'émetteur pendant au moins 2 secondes, la touche que l'on souhaite mémoriser (*dans notre exemple, la touche T3*).

Si la mémorisation a été correctement effectuée, la led verte émettra trois longs clignotements (= *mémorisation ok*). **Note** – Avant que les 10 secondes ne s'écoulent, il est possible de mémoriser **une touche d'un NOUVEL émetteur avec la même commande** (fonction utile quand il faut mémoriser par exemple plusieurs émetteurs dans la même logique de commande).

En cas contraire, attendre que la led verte s'éteigne (= *procédure terminée*) et que la led rouge recommence à clignoter à un rythme régulier.

9.2 – MÉMORISATION DES POSITIONS DES FINS DE COURSE EN « OUVERTURE » ET EN « FERMETURE » DE LA PORTE

La position de fin de course en « Fermeture » (**B** - fig. 44) correspond à la **fermeture** complète de la porte de garage et le fin de course en « Ouverture » (**A** - fig. 44) à l'**ouverture** complète.

Dans cette phase de l'installation, il est nécessaire de faire reconnaître et mémoriser à la logique de commande les positions de « Fermeture » et « Ouverture » complètes de la porte et la configuration de l'entrée STOP en suivant la procédure ci-dessous :

ATTENTION ! – Les opérations suivantes doivent être effectuées en utilisant la touche « P1 » sur la logique de commande de l'opérateur.

01. Vérifier que le chariot est **accroché** ;
02. Presser longuement (environ 5 secondes) la touche « P1 » sur la logique de commande jusqu'à ce que la LED **rouge** s'allume ; ensuite, relâcher la touche ;
03. À présent, la logique de commande exécute de manière autonome 3 manœuvres consécutives (*Fermeture - Ouverture - Fermeture*) en mémorisant automatiquement les deux positions de fin de course. **Note** – Durant l'exécution des 3 manœuvres, l'éclairage automatique clignote.

Attention ! – Durant les 3 manœuvres, si l'un des dispositifs de sécurité intervient ou en cas de pression de la touche « P1 », la logique

de commande interrompt et annule immédiatement toute la procédure. Il faudra dans ce cas répéter toute la procédure depuis le début.

04. Enfin, avec la touche T1 de l'émetteur, commander 3 ou 4 manœuvres complètes d'Ouverture et de Fermeture (ces manœuvres permettent à la logique de commande de mémoriser les valeurs de la force nécessaire pour actionner la porte de garage sur chaque point de sa course).

Attention ! – Ces manœuvres ne doivent pas être interrompues ; si cela se produit, il est nécessaire d'exécuter de nouveau toute la procédure depuis le début.

ATTENTION ! – Durant la recherche des positions, si la chaîne sur la poulie du pignon du moteur émet un battement, cela signifie qu'elle n'est pas correctement tendue. Dans ce cas, interrompre la procédure en pressant la touche « P1 » sur la logique de commande ; tendre ensuite la chaîne en vissant l'écrou et répéter toute la procédure depuis le début.

Cette procédure peut être refaite également à d'autres moments : par exemple, après un éventuel déplacement de la butée mécanique de fin de course sur le rail.

RÉGLAGES ET AUTRES FONCTIONS EN OPTION

La logique de commande possède certaines options qui permettent d'ajouter à l'automatisme des fonctions spécifiques, capables de la personnaliser suivant les besoins personnels.

10 – RÉGLAGE DU FONCTIONNEMENT DE L'AUTOMATISME

Pour personnaliser le fonctionnement de l'automatisme on peut activer ou désactiver certaines fonctions et en modifier la valeur. Les fonctions sont :

- **FERMETURE AUTOMATIQUE**. Quand cette fonction est active, à la fin d'une manœuvre d'*Ouverture* commandée par l'utilisateur, la logique de commande referme automatiquement la porte au bout d'un temps donné.
- **VITESSE DE MANŒUVRE**. Cette fonction permet de sélectionner la vitesse à laquelle l'automatisme manœuvre la porte.
- **SENSIBILITÉ ENVERS LES OBSTACLES**. Si durant une manœuvre un obstacle accidentel freine le mouvement de la porte (une rafale de vent, un véhicule, une personne, etc.), cette fonction détecte rapidement l'augmentation de l'effort du moteur pour s'opposer à l'obstacle et commande immédiatement une brève inversion du mouvement.
- **DÉCHARGE DE LA PRESSION**. À la fin de la manœuvre de Fermeture, après la fermeture complète de la porte de garage, le moteur continue à « pousser » la porte encore quelques instants, pour assurer une fermeture parfaite. Juste après, la fonction de « décharge » commande une brève inversion du mouvement, afin de relâcher la pression excessive exercée par le moteur sur la porte.

Les valeurs de ces fonctions peuvent être réglées suivant les besoins en utilisant la procédure suivante et un émetteur ayant au moins une touche déjà mémorisée dans la logique de commande.

Note – Durant l'exécution de la procédure, chaque fois que l'on presse une touche, l'éclairage automatique s'allume brièvement.

01. Maintenir enfoncées simultanément, pendant au moins 5 secondes, les touches « T1 » et « T2 » sur l'émetteur puis les relâcher. Sur la logique de commande les deux Leds (verte et rouge) clignotent en signalant ainsi l'entrée dans la « programmation fonctions » (*les Leds continueront à clignoter pendant toute la durée de la procédure*).
02. Garder enfoncée pendant au moins 1 seconde une touche sur l'émetteur qui est déjà mémorisé sur la même logique (*la led verte émet 1 clignotement*).
03. Choisir ensuite l'une des quatre fonctions disponibles puis, sur l'émetteur, maintenir enfoncée pendant au moins 1 seconde la touche qui résulte associée à la fonction choisie (*la led verte émet 1 clignotement*) :
 - Fermeture automatique = (presser la touche « T1 »)
 - Vitesse de manœuvre = (presser la touche « T2 »)
 - Sensibilité envers les obstacles = (presser la touche « T3 »)
 - Décharge de la pression = (presser la touche « T4 »)
04. Pour finir, en consultant le **Tableau 4**, sélectionner la valeur désirée au niveau de la fonction voulue puis, sur l'émetteur, maintenir enfoncée pendant au moins 1 seconde la touche qui résulte associée à la valeur choisie (*les leds verte et rouge émettent 1 bref clignotement de confirmation*).

Notes sur le Tableau 4 :

– Le Tableau indique les valeurs disponibles pour chacune des 4 fonctions spéciales et la touche correspondante qu'il faut presser sur l'émetteur pour sélectionner la valeur en question.

– La couleur grise correspond aux valeurs réglées à l'usine.

TABLEAU 4

FERMETURE AUTOMATIQUE

- Aucune fermeture —> (presser la touche « T1 »)
- Fermeture au bout de 15 secondes —> (presser la touche « T2 »)
- Fermeture au bout de 30 secondes —> (presser la touche « T3 »)
- Fermeture au bout de 60 secondes —> (presser la touche « T4 »)

VITESSE DE MANŒUVRE

- Ouverture Lente / Fermeture Lente —> (presser la touche « T1 »)
- Ouverture Lente / Fermeture Rapide —> (presser la touche « T2 »)
- Ouverture Rapide / Fermeture Lente —> (presser la touche « T3 »)
- Ouverture Rapide / Fermeture Rapide —> (presser la touche « T4 »)

SENSIBILITÉ ENVERS LES OBSTACLES

- Élevée —> (presser la touche « T1 »)
- Moyenne élevée —> (presser la touche « T2 »)
- Moyenne basse —> (presser la touche « T3 »)
- Basse —> (presser la touche « T4 »)

DÉCHARGE DE LA PRESSION

- Aucune décharge —> (presser la touche « T1 »)
- Minimum —> (presser la touche « T2 »)
- Moyenne —> (presser la touche « T3 »)
- Maximum —> (presser la touche « T4 »)

11 – MÉMORISATION D'UN NOUVEL ÉMETTEUR AVEC LA PROCÉDURE « À PROXIMITÉ » DE LA LOGIQUE DE COMMANDE [avec un émetteur déjà mémorisé]

Il est possible de mémoriser un NOUVEL émetteur dans la mémoire de la logique de commande sans agir directement sur la touche « P1 » de la logique mais en opérant simplement dans son rayon de réception. Pour activer la procédure, il faut disposer d'un ANCIEN émetteur, déjà mémorisé et fonctionnant. La procédure permettra au NOUVEL émetteur de recevoir les réglages de l'ANCIEN.

Attention – La procédure doit être effectuée en opérant dans le rayon de réception du récepteur (à 10-20 m maximum du récepteur).

01. Sur le NOUVEL émetteur, maintenir enfoncée pendant au moins 5 secondes la touche que l'on souhaite mémoriser puis la relâcher.
02. Sur l'ANCIEN émetteur, presser lentement 3 fois la touche avec la commande que l'on souhaite mémoriser sur l'autre émetteur.
03. Sur le NOUVEL émetteur, presser 1 fois la même touche pressée précédemment au point 01.

Note – La procédure doit être répétée pour chaque touche que l'on souhaite mémoriser.

12 – EFFACEMENT DES DONNÉES PRÉSENTES DANS LA MÉMOIRE DE LA LOGIQUE DE COMMANDE

Il est possible d'effacer les données présentes dans la mémoire de la logique de commande, en opérant en mode sélectif ou en mode total. Pour cette opération on peut utiliser, suivant les besoins les procédures suivantes :

- Effacement d'une commande dans un Émetteur déjà mémorisé
- Effacement des autres données mémorisées dans la logique de commande

Effacement d'une commande dans un émetteur déjà mémorisé

La procédure qui suit permet d'effacer de la mémoire de la logique de commande une commande unique assignée à une touche de l'émetteur.

Note – Durant la procédure, la led rouge et la led verte restent allumées avec lumière fixe.

01. Maintenir enfoncée pendant plus de 10 secondes la touche « P1 » sur la logique de commande : la led verte s'allume en premier puis, au bout de 5 secondes, la led rouge s'allume à son tour et les deux restent allumées, en signalant ainsi que la logique de commande est entrée en mode « effacement mémoire » (**ATTENTION ! - ne pas relâcher la touche « P1 »!**).
02. Sans relâcher la touche « P1 », presser sur l'émetteur la touche que l'on compte effacer : si la logique de commande reconnaît cette opération, la Led verte émet un clignotement bref et, à ce point, on peut relâcher les touches « P1 » puis celle sur l'émetteur.

Effacement des autres données mémorisées dans la logique de commande

La procédure qui suit permet d'effacer de la mémoire de la logique de commande les différents types de données mémorisées, telles qu'elles sont indiquées dans le Tableau 5.

Note – Durant la procédure, la led rouge et la led verte restent allumées avec lumière fixe.

01. Maintenir enfoncée pendant plus de 10 secondes la touche « P1 » sur la logique de commande : la led verte s'allume en premier puis, au bout de 5 secondes, la led rouge s'allume à son tour et les deux restent allumées, en signalant ainsi que la logique de commande est entrée en mode « effacement mémoire ». Relâcher ensuite la touche.
 02. En consultant le Tableau 5 choisir le type de données que l'on compte effacer et presser la touche « P1 » un nombre de fois identique au nombre de pressions indiqué entre parenthèses (à chaque pression de la touche « P1 », la Led verte émet un clignotement).
 03. 5 secondes après la dernière pression de la touche « P1 », si l'effacement s'est effectué correctement, les deux leds (rouge et verte) clignotent rapidement (= mémoire effacée!).
- Note** – Avant que l'effacement ait effectivement lieu, on dispose d'un délai de 5 secondes, au cours duquel on peut revenir sur sa décision ; dans cet intervalle, il est possible de quitter la procédure sans effacer aucune donnée en pressant 5 fois la touche « P1 ».

IMPORTANT ! – Après l'effacement de la « Mémoire des positions de fin de course en « Fermeture » et « Ouverture » et de la « Mémoire TOTALE », il faudra effectuer de nouveau la procédure 9.2 – Reconnaissance des positions de « Fermeture » et « Ouverture ».

TABLEAU 5

- Mémoire des valeurs des fonctions en option (= 1 pression)
- Mémoire des positions de fin de course en « Fermeture » et en « Ouverture » (= 2 pressions)
- Mémoire des émetteurs (= 3 pressions)
- Mémoire TOTALE (= 4 pressions) *Note* – efface en une seule fois les trois premières mémoires

QUE FAIRE SI... (Guide à la résolution des problèmes)

Durant le fonctionnement régulier, la logique de commande tient constamment les processus de l'automatisme sous contrôle et est en mesure de signaler les éventuelles anomalies à travers des séquences préétablies de clignotements émis par l'éclairage automatique et par la led rouge « L1 » présente sur la logique (les clignotements diagnostics se réfèrent toujours à la dernière action accomplie par l'automatisme). Pour comprendre la relation entre le nombre de clignotements émis et la cause qui les a provoqués, se référer au **Tableau 6** qui suit :

TABLEAU 6		
Clignotements	Problème	Solution
2 clignotements - pause - 2 clignotements	Durant la manœuvre de <i>Fermeture</i> la porte se bloque ou invertit la manœuvre en cours.	Ce comportement est provoqué par l'intervention d'une paire spécifique de photocellules, présente dans l'installation, qui détecte un obstacle. Éliminer l'obstacle présent sur la trajectoire de ces photocellules.
3 clignotements - pause - 3 clignotements	Durant la manœuvre d' <i>Ouverture</i> ou de <i>Fermeture</i> la porte se bloque soudainement et la logique effectue une <u>brève</u> inversion de la manœuvre en cours.	La porte a rencontré un plus grand frottement à cause d'un obstacle soudain (une rafale de vent, un véhicule, une personne, etc.). S'il se révèle nécessaire de régler leur sensibilité aux obstacles, consulter le chapitre « Réglages et autres fonctions en option ».
4 clignotements - pause - 4 clignotements	Durant la manœuvre d' <i>Ouverture</i> ou de <i>Fermeture</i> la porte se bloque soudainement et la logique de commande effectue un arrêt suivi d'une brève inversion du mouvement.	D'éventuels dispositifs de sécurité installés (différents des photocellules, comme par exemple les bords sensibles), ont détecté un obstacle soudain. Éliminer l'obstacle en question.
5 clignotements - pause - 5 clignotements	L'automatisme ne répond pas aux commandes envoyées.	Il y a une erreur dans la configuration du système. Procéder par conséquent à l'effacement total de la mémoire de la logique puis effectuer l'installation.
6 clignotements - pause - 6 clignotements	Après une série de manœuvres commandées l'une après l'autre l'automatisme se bloque.	La limite maximum autorisée concernant le nombre de manœuvres consécutives a été dépassée ce qui a provoqué une surchauffe. Attendre quelques minutes pour permettre à la température de descendre sous la limite maximum.
7 clignotements - pause - 7 clignotements	L'automatisme ne répond pas aux commandes envoyées.	Il y a une panne dans les circuits électriques internes. Déconnecter tous les circuits d'alimentation ; attendre quelques secondes puis les reconnecter. Donner une nouvelle commande et si l'automatisme ne répond pas, cela veut dire qu'il y a une panne grave sur la carte électrique de la logique de commande ou sur le câblage du moteur. Effectuer les contrôles et procéder aux éventuels remplacements.



Opérations réservées à un technicien qualifié

ATTENTION ! – Toutes les opérations contenues dans cet encadré doivent être exécutées exclusivement par du personnel qualifié et expert, en respectant les instructions du manuel, les lois et les normes de sécurité en vigueur sur le territoire.

BRANCHEMENT DE L'AUTOMATISME AU SECTEUR

Attention ! – Quand on effectue cette connexion, il faut installer sur la ligne d'alimentation (entre l'automatisme et la ligne électrique) un dispositif de protection contre le court-circuit.

De plus, sur la ligne d'alimentation du secteur électrique, il faut installer aussi un dispositif de déconnexion de l'alimentation (avec catégorie de surtension III, c'est-à-dire avec une distance entre les contacts d'au moins 3 mm) ou bien un autre système équivalent (par exemple prise + fiche).

Ce dispositif, en cas de besoin, garantit une déconnexion sûre et rapide de l'alimentation ; il doit donc être placé si possible dans une position visible depuis l'automatisme. S'il se trouve à distance, dans une position non visible, il faut prévoir un système empêchant l'éventuelle reconnexion accidentelle ou non autorisée de l'alimentation, pour conjurer tout danger.

Note - Le dispositif de connexion n'est pas fourni avec le produit.

ESSAI ET MISE EN SERVICE DE L'AUTOMATISME

Il s'agit des phases les plus importantes dans la réalisation de l'automatisation afin de garantir la sécurité maximum de l'installation. La procédure d'essai décrite peut être utilisée aussi pour vérifier périodiquement les dispositifs qui composent l'automatisme.

Les phases de l'essai et de la mise en service de l'automatisme doivent être effectuées par du personnel qualifié et expérimenté qui devra se charger d'établir les essais nécessaires pour vérifier les solutions adoptées en fonction du risque présent et s'assurer du respect de tout ce qui est prévu par les lois, les normes et les réglementations, en particulier, de toutes les prescriptions de la norme EN 12445 qui établit les méthodes d'essai pour le contrôle des automatismes de portes de garage.

ESSAI DE L'AUTOMATISME

- Vérifier que les conditions prévues en matière de sécurité dans la PHASE 1 ont été rigoureusement respectées.
- En utilisant l'émetteur, effectuer des essais de fermeture et d'ouverture de la porte de garage et vérifier que le mouvement de la porte correspond à ce qui est prévu.
Il convient d'effectuer différentes manœuvres pour contrôler la fluidité du mouvement et détecter les éventuels défauts de montage et de réglage ainsi que la présence de points de frottement.
- Vérifier un par un le fonctionnement correct de tous les dispositifs de sécurité présents dans l'installation (photocellules, bords sensibles, etc.). Photocellules : faire intervenir le dispositif durant une manœuvre de *Fermeture* et vérifier que la logique de commande arrête la manœuvre et effectue une brève inversion du mouvement (le clignotant émet 2 clignotements répétés une deuxième fois). Bords sensibles : faire intervenir le dispositif durant une manœuvre d'*Ouverture* ou de *Fermeture* et vérifier que la logique de commande arrête la manœuvre et effectue une brève inversion du mouvement (le clignotant émet 4 clignotements répétés une deuxième fois).
- Vérifier qu'il n'y a pas d'interférences entre les photocellules et d'autres dispositifs en interrompant avec un cylindre (diamètre 5 cm, longueur 30 cm) l'axe optique qui relie la paire de photocellules (**fig. 45**) : passer le cylindre d'abord près de la photocellule TX, puis près de la RX et enfin au centre, entre les deux photocellules. Vérifier ensuite que le dispositif intervient dans tous les cas, en passant de l'état d'actif à celui d'alarme et vice versa ; puis contrôler qu'il provoque l'action prévue dans la logique de commande (par exemple, l'inversion du mouvement dans la manœuvre de *Fermeture*).
- Effectuer la mesure de la force d'impact conformément à ce qui est prévu par la norme EN 12445 et éventuellement, si le contrôle de la « force moteur » est utilisé comme soutien du système pour la réduction de la force d'impact, essayer et trouver le réglage qui donne les meilleurs résultats.
- Commander une manœuvre de *Fermeture* et vérifier la force d'impact de la porte contre la surface du sol. Si nécessaire, décharger la pression, en trouvant un réglage donnant de meilleurs résultats.

MISE EN SERVICE DE L'AUTOMATISME

La mise en service ne peut avoir lieu que si toutes les phases d'essai ont été effectuées avec résultat positif. La mise en service partielle ou dans des situations « provisoires » n'est pas autorisée.

- 1 Réaliser le dossier technique de l'automatisme qui devra comprendre les documents suivants : un dessin d'ensemble (voir l'exemple de la fig. 6, 7, 8), le schéma des connexions électriques effectuées (voir les exemples de la PHASE 6), l'analyse des risques présents et les solutions correspondantes adoptées (voir sur le site www.niceforyou.com les formulaires à remplir), la déclaration de conformité du fabricant de tous les dispositifs utilisés et la déclaration de conformité remplie par l'installateur (voir dans la section « DOCUMENTATION TECHNIQUE »).
- 2 Appliquer sur la porte une plaquette contenant au moins les données suivantes : type d'automatisme, nom et adresse du constructeur, responsable de la « mise en service », numéro de série, année de construction et marque CE ;
- 3 Remplir et remettre au propriétaire de l'automatisme la déclaration de conformité ; il faut remplir pour cela le document « **Déclaration CE de conformité** » présent dans la section « DOCUMENTATION TECHNIQUE ».
- 4 Remplir et remettre au propriétaire de l'automatisme le document « **Guide de l'utilisateur** » présent dans la section « DOCUMENTATION TECHNIQUE ».
- 5 Réaliser et remettre au propriétaire de l'automatisme le document « **Plan de maintenance** » présent dans la section « DOCUMENTATION TECHNIQUE » qui réunit les prescriptions pour la maintenance de tous les dispositifs de l'automatisme.
- 6 Avant de mettre l'automatisme en service, informer de manière adéquate le propriétaire sur les risques résiduels.
- 7 Fixer de manière permanente sur la porte de garage une étiquette ou une plaque avec l'image de la fig. 46 (hauteur minimale : 60 mm) avec l'avertissement « ATTENTION RISQUE D'ÉCRASEMENT ».

INTERVENTIONS DE MAINTENANCE PÉRIODIQUE

In generale, il presente prodotto non necessita di manutenzioni particolari; tuttavia, un controllo regolare nel tempo consente di mantenere in efficienza l'impianto e di assicurare il regolare funzionamento dei sistemi di sicurezza installati. Quindi, per effettuare una manutenzione corretta, fare riferimento al capitolo «**Piano di Manutenzione**» presente nella sezione «DOCUMENTAZIONE TECNICA» alla fine del manuale.

MISE AU REBUT DU PRODUIT

Ce produit est partie intégrante de l'automatisme et doit donc être mis au rebut avec ce dernier.

Comme pour les opérations d'installation, à la fin de la durée de vie de ce produit, les opérations de démantèlement doivent être effectuées par du personnel qualifié.

Ce produit est constitué de différents types de matériaux : certains peuvent être recyclés, d'autres doivent être mis au rebut. Informez-vous sur les systèmes de recyclage ou de mise au rebut prévus par les règlements, en vigueur dans votre pays, pour cette catégorie de produit.

Attention ! – certains composants du produit peuvent contenir des substances polluantes ou dangereuses qui pourraient avoir des effets nuisibles sur l'environnement et sur la santé des personnes s'ils étaient jetés dans la nature.

Comme l'indique le symbole ci-contre, il est interdit de jeter ce produit avec les ordures ménagères. Par conséquent, utiliser la méthode de la « collecte sélective » pour la mise au rebut des composants conformément aux prescriptions des normes en vigueur dans le pays d'utilisation ou restituer le produit au vendeur lors de l'achat d'un nouveau produit équivalent.



Attention ! – les règlements locaux en vigueur peuvent appliquer de lourdes sanctions en cas d'élimination illicite de ce produit.

DÉCLARATION CE DE CONFORMITÉ

Déclaration conforme aux Directives : 1999/5/CE (R&TTE), 2004/108/CE (EMC); 2006/42/CE (MD) allegato II, parte B

Remarque - le contenu de cette déclaration correspond aux déclarations figurant dans le document officiel déposé au siège social de Nice S.p.A. et, en particulier, à la dernière mise à jour disponible avant l'impression de ce manuel. Le présent texte a été réadapté pour raisons d'édition. Copia della dichiarazione originale può essere richiesta a Nice S.p.a. (TV) I.

Numéro :	290/SHEL	Révision :	2	Langue :	FR
Nom du fabricant :	NICE s.p.a.				
Adresse :	Via Pezza Alta 13, Z.I. Rustigné, 31046 Oderzo (TV) Italie				
Personne autorisée à constituer la documentation technique :	M. Oscar Marchetto.				
Type :	Motoréducteur électromécanique et ses accessoires				
Modèles :	SHEL50, SHEL75				
Accessoires :	Radiocommandes série FLO, FLOR, Smilo				

Le soussigné Luigi Paro en qualité d'Administrateur délégué, déclare sous son entière responsabilité que les produits sus-indiqués sont conformes aux dispositions prescrites par les directives suivantes :

- Directive 1999/5/CE DU PARLEMENT EUROPÉEN ET DU CONSEIL du 9 mars 1999 (transposée en droit français par le décret 2003-961 du 8 octobre 2003) concernant les équipements hertziens et les équipements terminaux de télécommunications et la reconnaissance mutuelle de leur conformité, selon les normes harmonisées suivantes :
 - Protection de la santé (art. 3(1)(a)) : EN 50371:2002
 - Sécurité électrique (art. 3(1)(a)) : EN 60950-1:2006
 - Compatibilité électromagnétique (art. 3(1)(b)) : EN 301 489-1 V1.8.1:2008, EN 301 489-3 V1.4.1:2002
 - Spectre radio (art. 3(2)) : EN 300 220-2 V2.1.2:2007
- DIRECTIVE 2004/108/CE du PARLEMENT EUROPÉEN ET DU CONSEIL du 15 décembre 2004 relative au rapprochement des législations des États membres concernant la compatibilité électromagnétique et abrogeant la Directive 89/336/CEE, selon les normes harmonisées suivantes : EN 61000-6-2:2005, EN 61000-6-3:2007

En outre, le produit s'avère conforme à la Directive ci-après selon les conditions essentielles requises pour les « quasi-machines » :

- Directive 2006/42/CE du PARLEMENT EUROPÉEN ET DU CONSEIL du 17 mai 2006 relative aux machines et modifiant la Directive 95/16/CE (refonte)
 - Nous déclarons que la documentation technique pertinente a été remplie conformément à l'Annexe VII B de la Directive 2006/42/CE et que les conditions essentielles suivantes ont été respectées : 1.1- 1.1.2- 1.1.3- 1.2.1-1.2.6- 1.5.1-1.5.2- 1.5.5- 1.5.6- 1.5.7- 1.5.8- 1.5.10- 1.5.11
 - Le fabricant s'engage à transmettre aux autorités nationales, en réponse à une demande motivée, les renseignements pertinents sur la « quasi-machine », sans préjudice de ses droits de propriété intellectuelle.
 - Si la « quasi-machine » est mise en service dans un pays européen dont la langue officielle est différente de celle employée dans la présente déclaration, l'importateur est tenu d'accompagner la présente déclaration de la traduction y afférente.
 - Nous avertissons que la « quasi-machine » ne devra pas être mise en service tant que la machine finale à laquelle elle sera incorporée n'aura pas à son tour été déclarée conforme, s'il y a lieu, aux dispositions de la Directive 2006/42/CE.

En outre, le produit s'avère conforme aux normes suivantes : EN 60335-1:2002 + A1:2004 + A11:2004 + A12:2006 + A2:2006 + A13:2008; EN 60335-2-103:2003

Le produit s'avère conforme, limitativement aux parties applicables, aux normes suivantes : EN 13241-1:2003, EN 12445:2002, EN 12453:2002, EN 12978:2003

Oderzo, le 23.05.11

Ing. Luigi Paro (Administrateur délégué)

CARACTÉRISTIQUES TECHNIQUES DES DIFFÉRENTS COMPOSANTS DU PRODUIT

AVERTISSEMENTS :

- Le produit SHELKIT50 - SHELKIT75 est produit par Nice S.p.a. (TV) I.
- Toutes les caractéristiques techniques indiquées se réfèrent à une température ambiante de 20 °C (± 5 °C).
- Nice S.p.a. se réserve le droit d'apporter des modifications au produit à tout moment si elle le jugera nécessaire, en garantissant dans tous les cas les mêmes fonctions et le même type d'utilisation prévu.

OPÉRATEUR :	SHELKIT50	SHELKIT75
Technologie adoptée	Moteur à 24 V	
Alimentation	230 Vca 50/60 Hz	
Couple maximum au démarrage	9 Nm	12 Nm
Couple nominal	6 Nm	7,5 Nm
Poussée maximum	500 N	750 N
Poussée nominale	350 N	450 N
Puissance maximum	200 W	280 W
Vitesse de manœuvre	0.07 ÷ 0.13 m/s	0.08 ÷ 0.14 m/s
Temps maximum de fonctionnement continu	4 minutes	
Nb cycles/heure au couple nominal (20°)	8	
Température ambiante de fonctionnement	-20° C ÷ +50° C	
Dimension	305 x 109 h x 130 mm	
Poids	4 kg	
Classe d'isolation	1	
Éclairage automatique	12 V / 10 W culot A15	
Entrée STOP	Pour contacts normalement fermés, normalement ouverts ou avec résistance constante 8,2 KΩ; en autoapprentissage (une variation par rapport à l'état mémorisé provoque la commande « STOP »).	
Entrée PAS À PAS	Pour contacts normalement ouverts	
Entrée PHOTO	Pour dispositifs de sécurité à contacts normalement fermés	
Récepteur radio	Incorporé	
Fonctions programmables	4 fonctions programmables (voir paragraphe 6.3). Autoapprentissage du type de dispositif de « STOP » (contact NO, NF ou résistance 8,2 KΩ).	
Fonctions en autoapprentissage	Autoapprentissage des positions d'ouverture et de fermeture de la porte de garage et calcul des points de ralentissement et d'ouverture partielle.	
Utilisation dans une atmosphère particulièrement acide ou saline ou bien potentiellement explosive.	Non	
Indice de protection	IP 40 : utilisation exclusivement à l'intérieur ou dans des locaux protégés.	
Durabilité estimée (*)	40.000 à 80.000 cycles de manœuvres	

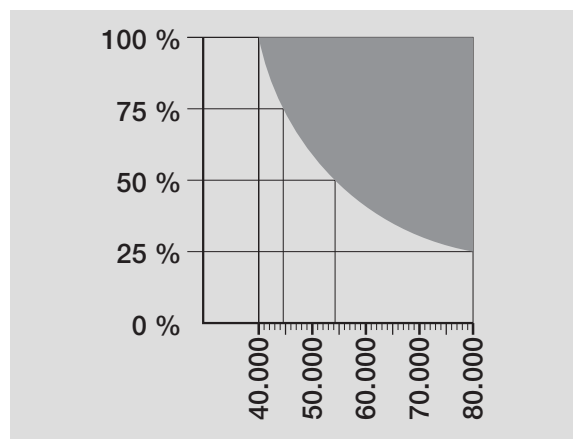
(*) **Note** – La durabilité estimée du produit est comprise entre 40.000 et 80.000 cycles de manœuvres. Pour établir la durabilité probable de votre automatisme procéder de la façon suivante :

a) – évaluer les conditions d'utilisation des forces en jeu présents dans votre installation comme par exemple...

- le poids et la longueur de la porte de garage ;
- le parfait équilibrage de la porte de garage ;
- l'état d'entretien des gonds de la porte de garage ;
- la typologie de la porte : plein ou avec de nombreuses ouvertures ;
- la présence de vent fort ;
- la fréquence d'utilisation de l'automatisme.

b) – tirer de ces évaluations une valeur exprimée en pourcentage qui, en général, définit le degré d'usure plus ou moins important de l'automatisme.

c) – identifier dans le graphique ci-contre le pourcentage estimé (au point « b ») et lire au niveau de ce dernier le nombre de cycles de manœuvres.



ÉMETTEUR FLO4R-S

DESCRIPTION	DONNÉES
Typologie	Émetteur à 4 canaux pour radiocommande
Fréquence	433,92 MHz
Codage	Numérique à code variable à 52 bits, type FLOR
Touches	4
Puissance rayonnée	100 µW
Alimentation	12 Vcc avec pile type 23 A
Durée des piles	1 an, estimée sur une base de 20 commandes/jour d'une durée d'1s à 20°C (aux basses températures l'efficacité des piles diminue)
Température ambiante de fonctionnement	- 40 °C ÷ + 85 °C
Indice de protection	IP 40 (utilisation à l'intérieur ou dans des milieux protégés)
Dimensions	72 x 40 h x 18 mm
Poids	30 g

ADVERTENCIAS Y PRECAUCIONES GENERALES DE SEGURIDAD	
1° PASO	
– ¡Trabajar en condiciones seguras!	2
– Advertencias para la instalación	2
CONOCIMIENTO DEL PRODUCTO Y PREPARACIÓN PARA LA INSTALACIÓN	
2° PASO	
2.1 - Descripción del producto y uso previsto	2
2.2 - Componentes útiles para realizar una instalación completa	3
3° PASO	
Controles preliminares a la instalación	3
3.1 - Control de la idoneidad del entorno y del portón a automatizar	3
3.2 - Control de los límites de empleo del producto	3
4° PASO	
4.1 - Trabajos preliminares de predisposición	3
- 4.1.1 - <i>Instalación típica de referencia</i>	3
- 4.1.2 - <i>Determinar la posición de los diferentes componentes</i>	3
- 4.1.3 - <i>Determinar el esquema con el cual conectar los dispositivos</i>	3
- 4.1.4 - <i>Control de las herramientas necesarias para llevar a cabo el trabajo</i>	3
- 4.1.5 - <i>Realizar los trabajos de predisposición</i>	3
4.2 - Tendido de los cables eléctricos	3
INSTALACIÓN: MONTAJE Y CONEXIÓN DE LOS COMPONENTES	
5° PASO	
5.1 - Instalación de los componentes de la automatización	4
5.2 - Fijación de la automatización a la pared, al techo y al portón	4
6° PASO	
– Hacer la instalación y la conexión eléctrica de los dispositivos presentes en la instalación	5
CONEXIÓN DE LA ALIMENTACIÓN	
7° PASO	5
PRIMER ENCENDIDO Y CONTROL DE LAS CONEXIONES ELÉCTRICAS	
8° PASO	5
PROGRAMACIÓN DE LA AUTOMATIZACIÓN	
9° PASO	
9.1 - Memorización del transmisor mod. FLO4R-S	6
9.2 - Memorización de las posiciones de fin de carrera de "Apertura" y "Cierre" del portón	6
REGULACIONES Y OTRAS FUNCIONES OPCIONALES	
10 - Regulación del funcionamiento de la automatización	6
11 - Memorización de un transmisor nuevo con el procedimiento "cercano" de la Central	7
12 - Cancelación de los datos de la memoria de la Central	7
QUÉ HACER SI ... (guía para resolver los problemas)	8
TRABAJOS RESERVADOS A UN TÉCNICO CUALIFICADO	
– Conexión de la automatización a la línea eléctrica	8
– Ensayo y puesta en servicio de la automatización	8
– Eliminación del producto	9
– Declaración de conformidad CE	9
CARACTERÍSTICAS TÉCNICAS DE LOS DIFERENTES COMPONENTES DEL PRODUCTO	10
MANUAL DE USO	IV
IMÁGENES	VIII - XIV

ADVERTENCIAS Y PRECAUCIONES GENERALES DE SEGURIDAD

¡TRABAJAR EN CONDICIONES SEGURAS!

- ⚠ **Atención – Es importante respetar estas instrucciones para garantizar la seguridad de las personas.**
- ⚠ **Atención – Instrucciones importantes para la seguridad: consérvelas.**

El diseño, la fabricación de los dispositivos que componen el producto y las informaciones contenidas en este manual respetan plenamente la normativa de seguridad vigente. Sin embargo, una instalación y una programación incorrectas pueden provocar heridas graves a las personas que hacen el trabajo y a aquellas que utilizarán la instalación. Por dicho motivo, durante la instalación es importante respetar escrupulosamente todas las instrucciones mencionadas en este manual.

No proceda con la instalación si tuviera alguna duda, y pida aclaraciones al Servicio de Asistencia Nice.

Si esta fuera la primera vez que usted realiza una automatización para portones de garaje ("seccionales" o "basculantes"), le aconsejamos dedicar un poco de tiempo para leer este manual. Es preferible hacerlo antes de comenzar la automatización, sin tener apuros en la realización del trabajo.

Tenga al alcance de la mano todos los dispositivos que forman el producto a fin de poder leer, probar y verificar (salvo las etapas de programación) todas las informaciones contenidas en el manual.

Cuando lea este manual, observe las instrucciones identificadas con el símbolo:



Estos símbolos indican argumentos que pueden ser fuentes de peligro y, por lo tanto, las operaciones deberán ser llevadas a cabo únicamente por personal cualificado y experto, respetando las presentes instrucciones y las normas locales de seguridad vigentes.

⚠ ADVERTENCIAS PARA LA INSTALACIÓN

Según la legislación europea más reciente, la realización de un portón de garaje debe respetar las normas previstas por la Directiva 98/37/CE (Directiva de Máquinas) y, en particular, las normas EN 12445; EN 12453; EN 12635 y EN 13241-1 que permiten declarar la presunción de conformidad de la automatización.

En virtud de tal, la conexión definitiva de la automatización a la red eléctrica, la conexión de la instalación, su puesta en servicio y el mantenimiento periódico deben ser llevados a cabo por personal cualificado y experto, respetando las instrucciones mencionadas en el recuadro "*Trabajos reservados a un técnico cualificado*". Además, el técnico deberá establecer los ensayos previstos según los riesgos presentes y deberá comprobar que se respeten las leyes, normativas y reglamentos previstos, especialmente todos los requisitos de la norma EN 12445 que establece los métodos de ensayo de las automatizaciones para portones de garaje.

Por el contrario, los trabajos de preparación inicial, instalación y programación pueden ser llevados a cabo por personal que no sea muy experto, siempre y cuando respete, escrupulosamente y en el orden progresivo indicado, todas las instrucciones mencionadas en este manual y las advertencias del 1º PASO.

Antes de comenzar la instalación, haga los siguientes análisis y controles:

- controle que cada dispositivo destinado a la automatización sea adecuado para la instalación que se ha de realizar. A tal fin, controle detenidamente los datos indicados en el capítulo "*Características técnicas*". No haga la instalación si incluso uno de estos dispositivos no fuera adecuado para ser utilizado.
 - controle que los dispositivos presentes en el kit sean suficientes como para garantizar la seguridad de la instalación y su funcionamiento.
 - analice los riesgos que también incluyen la lista de los requisitos esenciales de seguridad previstos en el "*anexo I de la Directiva de Máquinas*", indicando las relativas soluciones adoptadas. Recuérdese que el análisis de los riesgos es uno de los documentos que forman el "expediente técnico" de la automatización. Dicho documento debe ser cumplimentado por un instalador profesional.
- Teniendo en cuenta las situaciones de peligro que pueden generarse durante la instalación y el uso del producto, es necesario instalar la automatización observando las siguientes advertencias:**
- no modifique ninguna pieza de la automatización si no está previsto en este manual. Ese tipo de operaciones puede provocar desperfectos. El fabricante no se asumirá ninguna responsabilidad por daños originados por productos modificados arbitrariamente.
 - evite que los componentes de la automatización puedan quedar sumergidos

en el agua o en otras sustancias líquidas. Durante la instalación, evite que entren líquidos dentro del motorreductor y de los dispositivos montados.

– si sustancias líquidas penetraran dentro de las piezas de los componentes de la automatización, desconecte inmediatamente la alimentación eléctrica y contacte con el Servicio de Asistencia Nice. Utilizar la automatización en dichas condiciones podría ser muy peligroso.

– no coloque los componentes de la automatización cerca de fuentes de calor ni los exponga a las llamas. Esto podría averiarlas y provocar desperfectos de funcionamiento, incendios o situaciones peligrosas.

– todas las operaciones en las que haya que abrir la cubierta de protección de los diferentes componentes de la automatización deberán hacerse con la Central desconectada de la alimentación eléctrica. Si el dispositivo de desconexión no estuviera a la vista, aplique un cartel que indique: "¡ATENCIÓN! MANTENIMIENTO EJECUTÁNDOSE".

– la botonera de mando de pared debe colocarse a la vista del automatismo, lejos de sus piezas móviles, a una altura mínima de 1,50 m del suelo y no accesible al público.

– controle que no haya riesgos de aplastamiento durante el movimiento de *Cierre*; de ser necesario, instale unos dispositivos de seguridad suplementarios.

– si el portón a automatizar tuviera una puerta para peatones, prepare la instalación con un sistema de control que interrumpa el funcionamiento del motor cuando dicha puerta esté abierta.

– instale en la red de alimentación de la instalación un dispositivo de desconexión con una distancia de apertura de los contactos que permita la desconexión completa de las condiciones establecidas para la categoría III de sobretensión.

– si el cable de alimentación estuviera dañado, deberá ser sustituido por Nice o por su servicio de asistencia técnica, o bien por una persona cualificada, a fin de prevenir cualquier tipo de riesgo.

– el producto no está destinado para ser utilizado por personas (niños incluidos) cuyas capacidades físicas, sensoriales o mentales sean reducidas, o sin experiencia ni conocimientos, salvo que dichas personas estén acompañadas por una persona responsable de su seguridad o hayan sido instruidas sobre el uso del producto.

– el producto no puede ser considerado un sistema de protección eficaz contra la intrusión. Si desea obtener una protección eficaz, habrá que integrar la automatización con otros dispositivos.

– conecte la Central a una línea de alimentación eléctrica dotada de puesta a tierra de seguridad.

– el producto puede ser utilizado únicamente después de haber hecho la "puesta en servicio" de la automatización, tal como previsto en el párrafo "*Ensayo y puesta en servicio de la automatización*" indicado en el recuadro "Trabajos reservados a un técnico cualificado".

– El material de embalaje de todos los componentes de la automatización deben eliminarse respetando la normativa local vigente.

CONOCIMIENTO DEL PRODUCTO Y PREPARACIÓN PARA LA INSTALACIÓN

2º PASO

2.1 – DESCRIPCIÓN DEL PRODUCTO Y USO PREVISTO

Por lo general, los dispositivos que componen este producto están destinados a automatizar un portón de garaje para uso residencial (**fig. 1**). Dicho portón puede ser "seccional" o "basculante"; a su vez el basculante puede ser desbordante (durante la apertura el portón sobresale hacia fuera) o no desbordante, e incorporar muelles o contrapesos.

Este kit está destinado a la automatización exclusiva de un portón "seccional". Por consiguiente, para automatizar un portón "basculante" es necesario montar un brazo oscilante específico (mod. SPA5, accesorio no incluido en el paquete).

¡Cualquier otro empleo diferente de aquel descrito y en condiciones ambientales diferentes de aquellas indicadas en el 3º PASO, debe ser considerado inadecuado y está prohibido!

Este producto está formado de un motorreductor electromecánico con un motor de corriente continua de 24V, una guía, una cadena y un carro de arrastre. El motorreductor también incorpora una Central de mando.

La Central está formada de una tarjeta electrónica, una luz de cortesia/señalización y un receptor incorporado, más la antena para recibir los mandos enviados por un transmisor.

La Central logra gobernar diferentes tipos de movimientos, cada uno de los cuales puede utilizarse y programarse según las exigencias.

También hay disponibles varias funciones especiales que permiten personalizar el funcionamiento de la automatización.

La automatización está predispuesta para ser utilizada con varios accesorios que aumenten su funcionalidad y garanticen la seguridad. En particular, la Central puede memorizar hasta 150 botones de transmisores mod. FLO4R-S y hasta 4 pares de fotocélulas mod. MOF/MOFO.

El producto funciona con la alimentación eléctrica de red y, si se cortara la energía eléctrica (*black-out*), permite mover "manualmente" el portón, desbloqueando el carro de arrastre con un tirador específico o con un dispositivo de desbloqueo colocado afuera (mod. MU, accesorio no incluido en el paquete).

2.2 – COMPONENTES ÚTILES PARA REALIZAR UNA INSTALACIÓN COMPLETA

En la **fig. 2** se muestran todos los componentes útiles para realizar una instalación completa como aquella que se ve en la **fig. 8**.

¡ADVERTENCIA!

Algunos componentes indicados en la **fig. 2** son opcionales y podrían no estar presentes en el paquete.

Lista de los componentes útiles:

- [a] - motorreductor electromecánico
- [b] - guía interior
- [c] - placas para fijar el motorreductor al techo
- [d] - placa para fijar la guía a la pared
- [e] - tope mecánico para detener el carro al final de la carrera
- [f] - reenvío de la cadena
- [g] - cadena de arrastre
- [h] - varilla de arrastre del portón (sólo para portones seccionales)
- [i] - sólo para portones seccionales
- [l] - vitrador y pomo para desbloquear la automatización
- [m]- placa para conectar la varilla de arrastre al portón
- [n] - brazo oscilante y su varilla de arrastre (mod. SPA5, sólo para portones basculantes)
- [o] - par de fotocélulas (de pared) mod. MOF/MOFO
- [p] - transmisor (portátil) mod. FLO4R-S
- [q] - botonera de mando vía radio mod. MOTXR (de pared)
- [r] - herrajes metálicos (tornillos, arandelas, etc.)*

(* **Nota** – Los tornillos necesarios para fijar los componentes a la pared no están incluidos en el paquete. El tipo de tornillo depende del material y del espesor de la pared.

3º PASO

CONTROLES PRELIMINARES A LA INSTALACIÓN

Antes de proceder con la instalación, controle que los componentes del producto estén íntegros, que el modelo corresponda con el pedido y que sea idóneo para el entorno en el cual debe ser instalado.

IMPORTANTE – El motorreductor no puede motorizar un portón que no sea eficiente y seguro. Tampoco puede resolver los defectos causados por una instalación incorrecta o por un mantenimiento defectuoso del mismo portón.

3.1 – CONTROL DE LA IDONEIDAD DEL ENTORNO Y DEL PORTÓN QUE SE DEBE AUTOMATIZAR

- I tuviera que automatizar un portón desbordante, controle que su movimiento no invada calles ni aceras públicas.
- Controle que la estructura mecánica del portón sea adecuada para ser motorizada y que sea conforme con las normas locales vigentes.
- Controle la robustez de la estructura mecánica del portón, comprobando que no corra el riesgo de salirse de las guías.
- *Abriendo y cerrando* manualmente el portón, controle que el movimiento sea igual y constante en toda su carrera (*no deben existir puntos con diferentes esfuerzos*).
- Controle que el portón esté bien equilibrado, es decir que si se dejara detenido (manualmente) en cualquier posición, no debe moverse.
- Controle que el espacio alrededor de la automatización permita realizar de manera fácil y segura la maniobra de desbloqueo.
- Controle que las superficies de instalación de los dispositivos sean firmes y garanticen una fijación segura.
- Controle que cada dispositivo que deba instalar quede colocado en una posición segura y protegida de golpes accidentales.
- Controle que las superficies de fijación de las fotocélulas estén en plano y permitan alinear perfectamente ambas fotocélulas entre sí.

3.2 – CONTROL DE LOS LÍMITES DE EMPLEO DEL PRODUCTO

Para establecer la idoneidad del producto sobre la peculiaridad del portón y el contexto específico a automatizar, lleve a cabo los siguientes controles, comprobando la conformidad con los datos técnicos mencionados en este párrafo y con los datos técnicos del capítulo **“Características técnicas del producto”**.

- Controle que el peso y las dimensiones del portón se encuentren dentro de los siguientes límites de empleo. **Nota** – *La forma del portón y las condiciones atmosféricas, como por ejemplo viento fuerte, pueden reducir los valores máximos indicados. En dicho caso, es importante medir la fuerza necesaria para mover el portón en las peores condiciones y compararla con los datos indicados en las características técnicas del motorreductor.*

	SHEL50KIT	SHEL75KIT
Portones seccionales	350 x 240 cm	400 x 240 cm
Portones basculantes desbordantes	350 x 280 cm	400 x 280 cm
Portones basculantes no desbordantes	350 x 220 cm	400 x 220 cm

- Controle que el espacio previsto para fijar el motorreductor y la guía sea compatible con las dimensiones de la misma automatización. Por consiguiente, controle que se puedan respetar los espacios mínimos y máximos indicados en las **figs. 3, 4 y 5**.

¡Atención! – Si el resultado de dichos controles no satisface las prescripciones dadas, este modelo no podrá ser utilizado para automatizar su portón..

4º PASO

4.1 – TRABAJOS PRELIMINARES DE PREDISPOSICIÓN

4.1.1 – Instalación típica de referencia

Las **figs. 6, 7 y 8** muestra un ejemplo de instalación de automatización realizada con los componentes compatibles con este producto. Dichos componentes están colocados y ensamblados según un esquema típico y habitual. Los componentes utilizados son los siguientes:

- a** - Motorreductor electromecánico
- b** - Guía para el deslizamiento del carro
- c** - Carro de arrastre
- d** - Bloqueo mecánico para detener el carro al final de la carrera
- e** - Pomo para desbloquear manualmente el carro
- f** - Placa para conectar el carro al portón
- g** - Par de Fotocélulas (de pared) mod. MOF/MOFO
- h** - Botonera de mando vía radio (de pared) mod. MOTXR
- i** - Transmisor portátil mod. FLO4R-S
- l** - Botón

4.1.2 – Determinar la posición de los diferentes componentes

Tomando como referencia las **figs. 6, 7 y 8** determine la posición aproximada donde se instalará cada componentes previsto en la instalación.

4.1.3 – Determinar el esquema con el cual conectar los dispositivos

Tomando como referencia la **fig. 10** y el 6º PASO, determine el esquema con el cual conectar todos los dispositivos previstos en la instalación.

4.1.4 – Control de las herramientas necesarias para llevar a cabo el trabajo

Antes de instalar el producto, asegúrese de tener a disposición todas las herramientas y los materiales necesarios para hacer el trabajo (véase el ejemplo en la **fig. 9**); además, controle que dichos materiales estén en buenas condiciones y que respeten las normativas de seguridad locales.

4.1.5 – Realizar los trabajos de predisposición

Realice las rozas para los tubos de los cables eléctricos o, como alternativa, aplique canaletas exteriores; posteriormente, fije en el hormigón dichos tubos y realice las demás operaciones útiles para predisponer el entorno a las operaciones de instalación siguientes.

¡ATENCIÓN! – Coloque los extremos de los tubos por donde pasarán los cables eléctricos en proximidad de los puntos en que se ha previsto la fijación de los componentes.

Notas:

- Los tubos tienen la finalidad de proteger los cables eléctricos y evitar roturas accidentales, por ejemplo en caso de golpes.
- Los dispositivos de mando “fijos” deben colocarse a la vista del portón pero lejos de sus partes móviles, a más de 150 cm del suelo.

4.2 – TENDIDO DE LOS CABLES ELÉCTRICOS

Salvo por el cable y el enchufe de alimentación, todo el resto de la instalación funciona con baja tensión (24V aprox.); es decir que el tendido de los cables eléctricos también puede ser efectuado por personal que no sea cualificado, siempre y cuando se respeten escrupulosamente todas las instrucciones dadas de este manual.

Para tender los cables eléctricos, consulte la **fig. 10** para establecer el tipo de cable que hay que utilizar para cada conexión.

ADVERTENCIAS:

– Durante el tendido de los cables eléctricos **NO haga ninguna conexión eléctrica.**

– Haga instalar a un electricista una toma “shuko” de 16A, protegida adecuadamente, donde conectar el enchufe del motorreductor. El tomacorriente debe estar colocado en una posición que, al conectar el enchufe de alimentación, el cable no cuelgue sobre las partes móviles o en zonas peligrosas.

Características de los cables eléctricos (nota 1)

	Dispositivos	Bornes	Función	Tipo de cable	Longitud máxima admitida
A	Fotocélulas de seguridad	3 - 5	Entrada FOTOCÉLULA	TX Cable 2 x 0,25 mm ² RX Cable 3 x 0,25 mm ²	20 m (nota 2) 20 m (nota 2)
B	Botón de mando	3 - 4	Entrada PASO A PASO	Cable 2 x 0,25 mm ²	20 m (nota 2)
C	Botón de seguridad - Bandas sensibles - etc.	1 - 2	Entrada STOP	Cable 2 x 0,25 mm ²	20 m (nota 2)

Nota 1 – Los cables necesarios para armar el sistema (no incluidos en el paquete) pueden variar según la cantidad y el tipo de dispositivos previstos en el sistema.

Nota 2 – Las conexiones a los bornes 1 - 2 (Stop), 4 - 5 (Paso a paso) y 3 - 5 (Fotocélula) también pueden ser hechas utilizando un cable único con diferentes hilos interiores.

¡ATENCIÓN! - Los cables utilizados deben ser adecuados al tipo de entorno donde se lleva a cabo la instalación; por ejemplo, se aconseja un cable tipo H03VV-F para la instalación en interiores.

INSTALACIÓN: MONTAJE Y CONEXIÓN DE LOS COMPONENTES

5º PASO

5.1 – INSTALAR LOS COMPONENTES DE LA AUTOMATIZACIÓN

ADVERTENCIAS

- Una instalación incorrecta puede provocar heridas graves a la persona que haga el trabajo y a las personas que utilice la instalación.
- Antes de comenzar a ensamblar la automatización, lleve a cabo los controles preliminares descritos en el 3º PASO.

Después de tender los cables eléctricos, se deben ensamblar las piezas mecánicas relativas a la guía y al motorreductor, siguiendo el orden indicado a continuación.

01. Enganche la guía en el alojamiento situado en el motorreductor (fig. 11).
02. Introduzca en la guía el tope mecánico de fin de carrera (a) y desplácelo cerca del motorreductor; entonces, coloque la placa (b) en el tope y bloquee todo con un tornillo (fig. 12). **Nota** – **NO hay que apretar demasiado el tornillo porque posteriormente será necesario desplazar el fin de carrera a su posición definitiva.**
03. Fije con dos tornillos los extremos de la cadena en las ranuras de la placa del carro (fig. 13).
04. Ensamble entre sí las dos placas del carro; introduzca el tornillo en el soporte de la polea de reenvío; coloque la polea de reenvío en la cadena y ensamble todo a la placa de reenvío con el perno entregado (fig. 14).
05. Introduzca la cadena y el carro dentro de la guía, observando las siguientes advertencias:
 - Fig. 15-a) coloque el lado del carro que tiene la cadena fijada con los tornillos en el mismo lado donde se encuentra la tapa de la Central;
 - Fig. 15-b) coloque el carro a alrededor de la mitad de la guía.
06. Haga pasar la cadena alrededor del piñón del motorreductor y cierre todo con la tapa de protección (fig. 16).
07. Encaje la placa en el extremo de la guía y fije todo con la arandela y la tuerca (fig. 17).
08. Tense la cadena enroscando la tuerca en el tornillo de la placa del reenvío (fig. 18). **ATENCIÓN** – si la cadena está muy tensa, el motorreductor podría esforzarse y romperse; por el contrario, si está floja, podría hacer ruido.

SÓLO PARA PORTONES BASCULANTES

Si el portón que se ha de automatizar es "basculante" (desbordante o no desbordante - fig. 1), hay que instalar el correspondiente **Brazo oscilante mod. SPA5** (fig. 19). Posteriormente, ensamble los diferentes componentes del brazo. **IMPORTANTE** – Se aconseja acercar el brazo lo máximo posible a la manilla del portón. Para el montaje de la varilla de arrastre, consulte el punto 10.

Nota – para montar el accesorio, siga las instrucciones contenidas en su embalaje.

10. **¡ATENCIÓN!** – Si el portón es basculante, utilice para esta operación la varilla de arrastre entregada con el brazo oscilante.

Antes de montar la varilla de arrastre hay que cortarla a una longitud que permita respetar la medida aconsejada **E** de la fig. 3. Con los tornillos y tuercas, fije un extremo de la varilla de arrastre a la placa (la que se fijará al portón o al brazo oscilante) y el otro extremo al carro (fig. 20).

11. Fije al carro un extremo del tirador para el desbloqueo manual y el otro extremo al pomo (fig. 21). **Nota** – Procure que se pueda llegar desde el suelo al pomo del desbloqueo manual, colocándolo a 180 cm de altura o a menos.

¡IMPORTANTE! - Lleve a cabo las operaciones siguientes teniendo el portón CERRADO.

12. • Si el portón es **SECCIONAL**: establezca la longitud de la medida **B** considerando el vínculo constituido por las medidas **A** y **E** (fig. 3).
 - Si el portón es **BASCULANTE**: establezca la longitud de la medida **B** considerando el vínculo constituido por la medida **F** (fig. 4).

Nota – Si las medidas **A**, **E** o **F** lo permiten, la automatización también puede fijarse al techo (mínimo 4 mm).
13. Pliegue en "L" las dos placas para la fijación de la guía al techo y móntelas cerca del motorreductor con los tornillos y tuercas (fig. 22).

Nota – elija en las placas el agujero más adecuado para respetar la cota **B** decidida en el punto 12.

5.2 – FIJACIÓN DE LA AUTOMATIZACIÓN A LA PARED, AL TECHO Y AL PORTÓN

Después de ensamblar la guía y el motorreductor, fije la automatización a la pared, al techo y al portón, siguiendo el orden indicado a continuación.

01. Con una escalera, una varilla o demás, levante del suelo el motorreductor y colóquelo arriba, de manera que las placas de la guía se apoyen contra el techo y contra la pared sobre el portón (fig. 23). **IMPORTANTE** – (fig. 23-a) *alinee la guía y el motorreductor al eje vertical del portón y de manera perpendicular a éste (ángulo de 90°).* **Nota** – En el caso de los portones basculantes la guía debe ser alineada en correspondencia del brazo oscilante.

Asimismo, controle que se respeten las medidas **A**, **B** y **E** de la fig. 3 y las medidas **B**, **F** de la fig. 4.
02. Controle la posición perfectamente horizontal de la guía y marque los 4 puntos de fijación de las placas; posteriormente, taladre e introduzca los tacos (fig. 24).
03. Fije la automatización al techo y a la pared utilizando los tornillos y tacos adecuados para el material (fig. 25).

Notas:

 - Según el tipo y el material de la pared, la placa en el extremo de la guía puede fijarse con remaches o tornillos y tacos.
 - Ponga atención al escoger el método de fijación de las placas al techo y a la pared, porque:
 - la placa en el extremo de la guía deberá soportar el esfuerzo necesario para abrir y cerrar el portón;
 - las placas del techo deberán soportar el peso del motorreductor.

En ambos casos habrá que considerar el desgaste y la deformación que podría producirse con el tiempo.
04. Corte con una sierra la parte sobrante de las placas fijadas al techo (fig. 26).
05. (Con el portón cerrado) Tire del pomo de desenganche y haga deslizar el carro hasta que la placa de fijación se apoye en el borde superior del por-

tón seccional, o hasta que se enganche el Brazo oscilante (portón basculante). Posteriormente, alinee la varilla de arrastre a lo largo de la trayectoria de la guía y fije la placa al portón utilizando remaches o tornillos adecuados para el material del portón (fig. 27).

06. Afloje ligeramente el tornillo del tope mecánico de fin de carrera y abra manualmente el portón hasta colocarlo en la posición de *Apertura* máxima (fig. 28).
07. Desplace el tope mecánico de fin de carrera hacia el carro y colóquelo hasta que haga tope contra éste. Bloquee definitivamente el tope mecánico de fin de carrera enroscando hasta el fondo el tornillo (fig. 29).
Nota – Durante el funcionamiento normal el carro se detendrá algunos centímetros antes del tope mecánico.
08. Para bloquear de nuevo el portón, ciérrelo manualmente hasta oír un golpe seco.

6° PASO

CONEXIÓN DE LOS DISPOSITIVOS PRESENTES EN LA INSTALACIÓN

Después de haber instalado todos los dispositivos previstos en la instalación – cada uno en la posición prevista en el 4° PASO – conecte cada dispositivo a la Central de la siguiente manera.

¡ATENCIÓN! – Una conexión incorrecta podría provocar averías o situaciones peligrosas; por consiguiente, respete escrupulosamente las conexiones indicadas.

01. Desenrosque con un destornillador el tornillo de la tapa de la Central y extráigalo hacia fuera (fig. 30) para acceder a los bornes para las conexiones eléctricas presentes en la Central.
02. Con el mismo destornillador, abra las rendijas necesarias para pasar los cables eléctricos (fig. 31) que llegan de los dispositivos instalados en la instalación.
03. Posteriormente, conecte a la Central los cables eléctricos de los diferentes dispositivos utilizando la regleta de conexiones con cinco bornes (fig. 32).

ATENCIÓN – El trozo de cable eléctrico que conecta los bornes 3 y 5 debe quitarse sólo si se ha previsto el montaje de las fotocélulas.

Para hacer estas conexiones correctamente, proceda de la siguiente manera.

• Para conectar un par de fotocélulas como dispositivo de seguridad

En la instalación se pueden montar uno o varios pares de fotocélulas con función de seguridad. Si se instalaran diferentes pares de fotocélulas, estos deberán estar conectados entre sí "en serie" y la cadena deberá conectarse a los bornes 3 y 5 presentes en la Central. Por último, conecte la alimentación a los bornes 2 y 3 (véase el ejemplo de la fig. 33 y 34).

Durante el movimiento de Cierre, la activación de estas fotocélulas provoca la parada de la maniobra y la inversión inmediata del movimiento.

• Para conectar un botón "NA" utilizado para accionar las maniobras

En la instalación se puede instalar un botón tipo "NA", es decir "normalmente abierto", para accionar las maniobras con el modo "Paso a paso" (para más detalles sobre este modo, véase el 9° PASO). Conecte este botón a los bornes 3 y 4 presentes en la Central.

Nota – Si se instalan varios botones para accionar las maniobras, conéctelos entre sí "en paralelo", tal como se muestra en el ejemplo de la fig. 35 y 36.

• Para conectar otros dispositivos de seguridad que no sean las fotocélulas

Además de las fotocélulas, en la instalación se pueden instalar también otros dispositivos de seguridad con diferentes tipos de contacto. Dichos dispositivos son:

- dispositivos con contacto "normalmente abierto" ("NA");
- dispositivos con contacto "normalmente cerrado" ("NC");
- dispositivos con resistencia constante de 8,2 K Ω .

Estos dispositivos deben conectarse a los bornes 1 y 2 presentes en la Central; también es posible conectar varios dispositivos a los mismos bornes, siguiendo estos pasos:

A) – para conectar entre sí un grupo de dispositivos "NA", adopte un esquema de conexión "en paralelo", tal como se muestra en el ejemplo de la fig. 37.

B) – para conectar entre sí un grupo de dispositivos "NC", adopte un esquema de conexión "en serie", tal como se muestra en el ejemplo de la fig. 38.

C) – para conectar entre sí un grupo de dispositivos con resistencia constante de 8,2 K Ω , adopte un esquema de conexión "en paralelo", colocando la resistencia (8,2 K Ω) en el último dispositivo, tal como se muestra en el ejemplo de la fig. 39.

D) – para conectar entre sí un grupo de dispositivos con varios tipos de contacto ("NA", "NC" y resistencia constante de 8,2 K Ω), adopte un esquema de conexión mixto, "en serie" y "en paralelo", tal como se muestra en el ejemplo de la fig. 40.

Nota – sólo los dispositivos de seguridad con salida con resistencia constante 8,2 K Ω garantizan la categoría de seguridad 3 contra las averías, según la norma EN 954-1.

La activación de estos dispositivos de seguridad provoca la parada del movimiento que se está ejecutando y una breve inversión del movimiento.

• Alimentación de los dispositivos que no han sido citados en este capítulo

En la instalación se pueden montar otros dispositivos diferentes de aquellos citados, por ejemplo un receptor universal de relé. Estos dispositivos deben conectarse a los botones 2 y 3 presentes en la Central. **¡Atención!** – En los bornes 2 y 3 hay una tensión de 24 Vcc y se suministra una corriente de 100 mA. La suma de la corriente absorbida por los diferentes dispositivos conectados a estos bornes no debe superar este valor.

ADVERTENCIA – Al concluir las conexiones, bloquee todos los cables con abrazaderas; posteriormente, monte la tapa de la Central.

CONEXIÓN DE LA ALIMENTACIÓN

7° PASO

¡ADVERTENCIAS!

– El cable de alimentación de PVC suministrado junto con el producto es adecuado para ser instalado en interiores.

– La conexión definitiva de la automatización a la red eléctrica debe ser llevada a cabo únicamente por un electricista cualificado y experto, que respete las normas de seguridad locales vigentes y las instrucciones mencionadas en el recuadro "Trabajos reservados a un técnico cualificado".

Para hacer los ensayos de funcionamiento y la programación de la automatización, active la alimentación a la Central conectando el enchufe del cable de alimentación suministrado a un tomacorriente eléctrico (fig. 41). Si el tomacorriente está colocado lejos de la automatización, se puede utilizar un cable de prolongación.

PRIMER ENCENDIDO Y CONTROL DE LAS CONEXIONES ELÉCTRICAS

8° PASO

¡ATENCIÓN! – Las siguientes operaciones deben llevarse a cabo en los circuitos eléctricos bajo tensión y las maniobras podrían ser peligrosas. Por consiguiente, trabaje con mucho cuidado.

Después de haber activado la alimentación eléctrica a la Central (fig. 41) haga las operaciones mencionadas a continuación, comprobando los resultados:

• Inmediatamente después del encendido, el Led rojo (fig. 42) destellará rápidamente durante algunos segundos, después se encenderán alternativamente el Led verde y rojo; por último, el Led verde se apagará y el rojo seguirá destellando regularmente cada un segundo (significa que la Central funciona regularmente).

¡Atención! – Si el Led rojo no destellara como descrito, se aconseja cortar la alimentación eléctrica a la Central y controlar mejor las conexiones hechas (consulte también el capítulo "Qué hacer si...").

• Si en la instalación están montadas las fotocélulas, controle si en la fotocélula receptora el Led está apagado (funcionamiento regular) o encendido (hay un obstáculo). Si el Led destella, significa que la señal es poco clara y está perturbada por una alineación incorrecta de las dos fotocélulas.

• Si en la instalación está montada una botonera de mando por radio, controle que funcione consultando el manual de instrucciones.

9º PASO

ADVERTENCIAS para la programación:

- Se aconseja leer primero el procedimiento y después llevar a cabo las operaciones, *haciendo estas operaciones de manera consecutiva, sin dejar que pasen más de 10 segundos entre el momento en que se suelta un botón y el momento en que se pulsa el botón sucesivo.*
- En este manual los botones del transmisor están identificados con números. Para saber la correspondencia entre los números citados y los botones del transmisor, véase la *fig. 43.*

9.1 – MEMORIZACIÓN DEL TRANSMISOR mod. FLO4R-S

Para poder accionar la automatización con el transmisor, habrá que memorizar sus botones en la memoria de la Central.

La memorización permite asociar a cada botón un mando deseado, seleccionándolo entre los siguiente mandos disponibles:

1 = Paso a Paso: corresponde a la secuencia ... *Abrir - Stop - Cerrar - Stop* ... El primer mando activa la *Apertura*; el siguiente, con el portón moviéndose, activa el *Stop*; el tercero, el *Cierre*; el cuarto, con el portón moviéndose, acciona el *Stop* y así sucesivamente.

2 = Paso-Abrir: corresponde a la secuencia ... *Abrir - Stop - Cerrar - Abrir* ... El primer mando activa la *Apertura*; el siguiente, con el portón moviéndose, activa el *Stop*; el tercero, el *Cierre*; el cuarto, con el portón moviéndose, acciona la *Apertura* y así sucesivamente.

3 = Apertura parcial: corresponde a una breve apertura del portón. Este mando funciona sólo si el portón está completamente cerrado.

4 = Luz de cortesía: ... *On - Off - On* ...

La ejecución del procedimiento memoriza **un solo botón** del transmisor; dicho botón se puede memorizar tanto en la Central como en las Centrales de otras automatizaciones. La memoria de la Central puede memorizar hasta 150 botones. Para cada botón que se desee memorizar, repita el siguiente procedimiento.

- 01.** Decida el **botón** del transmisor que desea memorizar (ejemplo: *el botón T3*).
- 02.** Decida el **mando**, entre aquellos antes mencionados, que desea asociar al botón escogido (ejemplo: *el mando "2"*).
- 03.** Pulse el botón "P1" (en la Central) la **cantidad de veces equivalente al número del mando escogido** (en nuestro ejemplo, "2" veces) y controle que el Led verde emita la misma cantidad de destellos rápidos (dichos destellos se repetirán con frecuencia regular).
- 04.** (antes de 10 segundos) Pulse durante 2 segundos como mínimo el botón del transmisor que desea memorizar (en nuestro ejemplo, el botón T3).

Si la memorización es correcta, el Led verde emitirá 3 destellos largos (*memorización correcta*). **Nota** – Antes de que transcurran 10 segundos, es posible memorizar un botón de un NUEVO transmisor con el mismo mando (esta función es útil cuando haya que memorizar varios transmisores en la misma Central). En caso contrario, espere a que el Led verde se apague (procedimiento concluido) y que el Led rojo vuelva a destellar con frecuencia regular.

9.2 – MEMORIZACIÓN DE LAS POSICIONES DE FIN DE CARRERA DE "APERTURA" Y "CIERRE" DEL PORTÓN

La posición de fin de carrera de "Cierre" (B - fig. 44) corresponde al cierre máximo del portón, y el fin de carrera de "Apertura" (A - fig. 44) corresponde a la apertura máxima.

En esta etapa de la instalación es necesario que Central reconozca y memorice las posiciones de "Cierre" y "Apertura" máximas del portón y la configuración de la entrada STOP, llevando a cabo el siguiente procedimiento:

¡ATENCIÓN! – Las siguientes operaciones pueden hacerse utilizando exclusivamente el botón "P1" en la Central del motorreductor.

- 01.** Controle que el carro de arrastre **esté enganchado**.
- 02.** Pulse por mucho tiempo (unos 5 segundos) el botón "P1" en la Central hasta que el Led rojo se encienda; posteriormente, suelte el botón.
- 03.** Entonces, la Central activa autónomamente 3 maniobras consecutivas (*Cierre - Apertura - Cierre*), memorizando automáticamente las dos posiciones de fin de carrera. **Nota** – Durante la ejecución de las 3 maniobras, la luz de cortesía destellará.
¡Atención! – Durante las 3 maniobras, si se activara un dispositivo de seguridad o se pulsara casualmente el botón "P1", la Central interrumpirá y anulará inmediatamente todo el procedimiento. En este caso habrá que repetir todo el procedimiento desde el comienzo.

04. Por último, con el botón T1 del transmisor accione 3 ó 4 maniobras completas de Apertura y Cierre (estas maniobras sirven para que la Central memorice los valores de la fuerza que sirve para mover el portón hacia cualquier punto de su carrera).

¡Atención! – Estas maniobras no deben interrumpirse; si así fuera, habrá que repetir todo el procedimiento desde el comienzo.

¡ATENCIÓN! – Durante la búsqueda de las posiciones, si la cadena en la polea del piñón del motor emite un ruido rítmico, significa que no está bien tensada. En este caso, interrumpa el procedimiento pulsando el botón "P1" en la Central, tense la cadena enroscando la tuerca y repita todo el procedimiento desde el comienzo.

Este procedimiento puede hacerse nuevamente en cualquier otro momento, por ejemplo después de un desplazamiento del tope mecánico de fin de carrera en la guía.

REGULACIONES Y OTRAS FUNCIONES OPCIONALES

La Central incorpora algunas funciones opcionales que permiten añadir a la automatización algunas funciones específicas para poderla personalizar según sus exigencias personales.

10 – REGULACIÓN DEL FUNCIONAMIENTO DE LA AUTOMATIZACIÓN

Para personalizar el funcionamiento de la automatización es posible activar o desactivar algunas funciones y regular sus valores. Las funciones son:

- **CIERRE AUTOMÁTICO.** Cuando esta función está activa, al concluir un movimiento de Apertura, accionada por el usuario, la Central cerrará automáticamente el portón transcurrido un determinado tiempo.
- **VELOCIDAD DEL MOVIMIENTO.** Esta función permite configurar la velocidad deseada con la que la automatización moverá el portón.
- **SENSIBILIDAD HACIA LOS OBSTÁCULOS.** Si durante un movimiento, un obstáculo frenara accidentalmente el movimiento del portón (una ráfaga de viento, un vehículo, una persona, etc.), esta función detectará inmediatamente el aumento del esfuerzo del motor para contrastar el obstáculo y accionará inmediatamente una breve inversión del movimiento.
- **DESCARGA DE LA PRESIÓN.** Al concluir el movimiento de cierre, después de que el portón se haya cerrado completamente, el motor seguirá "empujando" el portón durante algunos segundos, para asegurar un cierre perfecto. Inmediatamente después, la función de "descarga" accionará una breve inversión del movimiento a fin de disminuir la presión excesiva ejercida por el motor sobre el portón.

Los valores de estas funciones pueden regularse según sus propias exigencias llevando a cabo el siguiente procedimiento y utilizando un transmisor que tenga, como mínimo, un botón memorizado en la Central.

Nota – Durante la ejecución de este procedimiento, cada vez que se pulse un botón se encenderá brevemente la luz de cortesía.

- 01.** Mantenga pulsado **simultáneamente** durante **5 segundos** como mínimo los botones "T1" y "T2" en el transmisor; posteriormente, suéltelos. En la Central destellarán los dos Leds (verde y rojo) que señalan que se ha entrado en la "programación de las funciones" (los Leds seguirán destellando durante toda la programación).
- 02.** Mantenga pulsado durante **1 segundo** como mínimo un botón del transmisor que esté memorizado en la Central (el Led verde destellará una vez).
- 03.** Posteriormente, elija una de las cuatro funciones disponibles y mantenga pulsado durante **1 segundo** como mínimo el botón del transmisor que esté asociado a la función escogida (el Led verde destellará una vez):
 - Cierre automático = (pulse el botón "T1")
 - Velocidad del movimiento = (pulse el botón "T2")
 - Sensibilidad hacia los obstáculos = (pulse el botón "T3")
 - Descarga de la presión = (pulse el botón "T4")
- 04.** Por último, observando la **Tabla 4**, elija en correspondencia de la función escogida el valor deseado y pulse en el transmisor durante **1 segundo** como mínimo el botón que esté asociado al valor escogido (los Leds verde y rojo emitirán 1 destello corto de confirmación).

Notas de la Tabla 4:

– En la Tabla se indican los valores disponibles para cada una de las 4 funciones especiales y el botón que hay que pulsar en el transmisor para seleccionar dicho valor.

– El color gris indica los valores configurados en fábrica.

TABLA 4

CIERRE AUTOMÁTICO

Ningún cierre → (pulse el botón "T1")

Cierre después de 15 segundos → (pulse el botón "T2")

Cierre después de 30 segundos → (pulse el botón "T3")

Cierre después de 60 segundos → (pulse el botón "T4")

VELOCIDAD DEL MOVIMIENTO

Apertura Lenta / Cierre Lento → (pulse el botón "T1")

Apertura Lenta / Cierre Rápido → (pulse el botón "T2")

Apertura Rápida / Cierre Lento → (pulse el botón "T3")

Apertura Rápida / Cierre Rápido → (pulse el botón "T4")

SENSIBILIDAD HACIA LOS OBSTÁCULOS.

Alta → (pulse el botón "T1")

Medio alta → (pulse el botón "T2")

Medio baja → (pulse el botón "T3")

Baja → (pulse el botón "T4")

DESCARGA DE LA PRESIÓN

Ninguna descarga → (pulse el botón "T1")

Minima → (pulse el botón "T2")

Mediana → (pulse el botón "T3")

Máxima → (pulse el botón "T4")

11 – MEMORIZACIÓN DE UN TRANSMISOR NUEVO CON EL PROCEDIMIENTO "CERCANO" DE LA CENTRAL [con un transmisor memorizado]

Es posible memorizar un NUEVO transmisor en la memoria de la Central sin tener que pulsar directamente el botón "P1" de la misma Central, sino actuando simplemente en su radio de recepción. Para llevar a cabo el procedimiento, es necesario tener a disposición un transmisor VIEJO ya memorizado y que funcione. El procedimiento permitirá que el transmisor NUEVO reciba las configuraciones del transmisor VIEJO.

Advertencia - El procedimiento debe hacerse trabajando en el radio de recepción del receptor (10-20 m como máximo del receptor).

01. En el NUEVO transmisor, mantenga pulsado durante 5 segundos el botón que se desee memorizar y, posteriormente, suéltelo.
02. En el VIEJO transmisor, pulse lentamente 3 veces el botón con el mando que se desee memorizar en el otro transmisor.
03. En el transmisor NUEVO, pulse 1 vez el mismo botón que había pulsado en el punto 01.

Nota – El procedimiento debe repetirse para cada botón que se desee memorizar.

12 – CANCELACIÓN DE LOS DATOS DE LA MEMORIA DE LA CENTRAL

Los datos presentes en la memoria de la Central se pueden cancelar individual o totalmente. A tal fin, se pueden utilizar los siguientes procedimientos:

- Cancelación de un mando en un Transmisor memorizado
- Cancelación de los demás datos memorizados en la Central

Cancelación de un mando en un Transmisor memorizado

El siguiente procedimiento permite cancelar de la memoria de la Central un mando asignado a un botón del transmisor.

Nota – Durante el procedimiento el Led rojo y el Led verde permanecerán encendidos con luz fija.

01. Mantenga pulsado durante más de 10 segundos el botón "P1" en la Central: primero se encenderá el Led verde, después de 5 segundos se encenderá el Led rojo y, por último, ambos Leds, señalando que la Central se encuentra en modalidad "cancelación memoria" (**¡ATENCIÓN! – no**

suelte el botón "P1").

02. Sin soltar el botón "P1", pulse en el transmisor el botón que se desee cancelar: si la Central reconoce esta operación, el Led verde emitirá un destello corto y, entonces, se podrán soltar los botones "P1" y aquel del transmisor.

Cancelación de los demás datos memorizados en la Central

El siguiente procedimiento permite cancelar de la memoria de la Central los diferentes tipos de datos memorizados, tal como indicado en la Tabla 5.

Nota – Durante el procedimiento el Led rojo y el Led verde permanecerán encendidos con luz fija.

01. Mantenga pulsado durante más de 10 segundos el botón "P1" de la Central: primero se encenderá el Led verde, después de 5 segundos se encenderá el Led rojo y, por último, ambos Leds, señalando que la Central se encuentra en modalidad "cancelación memoria". Posteriormente, suelte el botón.
02. Observando la Tabla 5, elija el tipo de dato que se desea cancelar y pulse el botón "P1" la misma cantidad de veces indicada entre paréntesis (cada vez que se pulse el botón "P1", el Led verde destellará una vez).
03. Después de 5 segundos de haber pulsado el botón "P1", si la cancelación es correcta, ambos Leds (rojo y verde) destellarán rápidamente (¡memoria cancelada!).
Nota – Antes de que se concluya la cancelación, hay un margen de tiempo de 5 segundos para poder volver atrás: en dicho tiempo se puede salir del procedimiento sin cancelar ningún dato, pulsando 5 veces el botón "P1".

¡IMPORTANTE! – Después de haber cancelado la "Memoria de las posiciones de fin de carrera de "Cierre" y "Apertura" de la "Memoria TOTAL", habrá que llevar a cabo un nuevo procedimiento 9.2 – Aprendizaje de las posiciones de "Cierre" y "Apertura".

TABLA 5

- Memoria de los valores de las Funciones Opcionales (1 presión)
- Memoria de las posiciones de fin de carrera de "Cierre" y "Apertura" (2 presiones)
- Memoria de los Transmisores (3 presiones)
- Memoria TOTAL (4 presiones) **Nota** – cancela en una sola vez las primeras tres memorias

QUÉ HACER SI... (guía para resolver los problemas)

Durante el funcionamiento regular, la Central mantiene constantemente bajo control los procesos de la automatización y señala posibles desperfectos mediante secuencias predeterminadas de destellos de la luz de cortesía y del Led rojo "L1" presente en la Central (los destellos de diagnósticos se refieren siempre a la última acción llevada a cabo por la automatización). Para saber la relación entre el número de destellos emitidos y el motivo que los ha causado, consulte la siguiente **Tabla 6**:

Destellos	Problema	Resolución
2 destellos - <i>pausa</i> - 2 destellos	Durante el <i>Cierre</i> el portón se bloquea e invierte el movimiento que está ejecutando.	Este comportamiento depende de la intervención de un par específico de fotocélulas montado en la instalación, que detecta un obstáculo. Quite el obstáculo colocado en la trayectoria de dichas fotocélulas.
3 destellos - <i>pausa</i> - 3 destellos	Durante la <i>Apertura</i> o el <i>Cierre</i> el portón se bloquea improvisamente y la Central ejecuta la inversión <u>breve</u> del movimiento que se está ejecutando.	El portón ha encontrado más fricción a causa de un obstáculo imprevisto (una ráfaga de viento, un vehículo, una persona, etc.). Si fuera necesario regular su sensibilidad hacia los obstáculos, consulte el capítulo " Regulaciones y otras funciones opcionales ".
4 destellos - <i>pausa</i> - 4 destellos	Durante la <i>Apertura</i> o el <i>Cierre</i> el portón se bloquea improvisamente y la Central ejecuta un " <i>Stop</i> " seguido de una breve inversión del movimiento.	Los dispositivos de seguridad instalados (no las fotocélulas, por ejemplo pueden ser, las bandas sensibles) han detectado un obstáculo imprevisto. Quite el obstáculo.
5 destellos - <i>pausa</i> - 5 destellos	La automatización no responde a los mandos enviados.	Hay un error en la configuración del sistema. Cancele completamente la memoria de la Central y, posteriormente, realice de nuevo la instalación.
6 destellos - <i>pausa</i> - 6 destellos	Después de una serie de movimientos accionados consecutivamente, la automatización se bloquea.	Se ha superado el límite máximo admitido de maniobras consecutivas y, por ello, se ha generado un recalentamiento excesivo. Espere algunos minutos hasta que la temperatura vuelva a estar por debajo del límite máximo predeterminado.
7 destellos - <i>pausa</i> - 7 destellos	La automatización no responde a los mandos enviados.	Hay una avería en los circuitos eléctricos internos. Desconecte todos los circuitos de alimentación; espere algunos segundos y conéctelos de nuevo. Active un nuevo mando y si la automatización no responde, significa que hay una avería grave en la tarjeta eléctrica de la Central o en los cables del motor. Lleve a cabo los controles y las sustituciones necesarias.



Trabajos reservados a un técnico cualificado

¡ATENCIÓN! – Todas las operaciones contenidas en este recuadro deben ser llevadas a cabo exclusivamente por personal cualificado y experto, respetando las instrucciones del manual, las leyes y las normativas de seguridad locales vigentes.

CONEXIÓN DE LA AUTOMATIZACIÓN A LA LÍNEA ELÉCTRICA

¡Atención! – Cuando haga esta conexión, en la línea de alimentación (entre la automatización y la red eléctrica) instale un dispositivo de protección contra los cortocircuitos.

En la misma línea también es necesario instalar un dispositivo de desconexión de la alimentación (con categoría de sobretensión III, es decir, con una distancia entre los contactos de 3 mm como mínimo), o bien otro sistema equivalente (por ejemplo, un tomacorriente con su enchufe).

Este dispositivo garantizará, en caso de necesidad, una desconexión rápida y segura de la alimentación; por lo tanto, debe montarse en una posición de la automatización que esté a la vista. Por el contrario, si se lo montara en una posición lejana, o en una posición que no sea bien visible, habrá que instalar un sistema que bloquee una conexión accidental o no autorizada de la alimentación, a fin de evitar cualquier situación peligrosa.

Nota – El dispositivo de desconexión no se entrega junto con el producto.

ENSAYO Y PUESTA EN SERVICIO DE LA AUTOMATIZACIÓN

Estas son las etapas más importantes en la realización de la automatización para garantizar la seguridad máxima de la instalación. El procedimiento de ensayo descrito también puede llevarse a cabo para comprobar periódicamente los dispositivos que componen la automatización.

El ensayo y la puesta en servicio de la automatización deben ser realizados por personal cualificado y experto que deberá establecer los ensayos necesarios para verificar las soluciones adoptadas para los riesgos presentes, y deberá controlar que se respeten las leyes, normativas y reglamentos, especialmente todos los requisitos de la norma EN 12445 que establece los métodos de ensayo de las automatizaciones para portones de garaje.

ENSAYO DE LA AUTOMATIZACIÓN

- 1 Controle que se hayan respetado estrictamente las indicaciones dadas en el 1º PASO en materia de seguridad.
- 2 Utilizando el transmisor, haga algunas pruebas de cierre y de apertura del portón, controlando que el movimiento del portón sea el previsto.
Conviene hacer varios ensayos para controlar el deslizamiento del portón y comprobar los posibles defectos de montaje, o de regulación, así como la presencia de puntos de fricción.
- 3 Controle uno por uno el funcionamiento correcto de todos los dispositivos de seguridad montados en la instalación (fotocélulas, bandas sensibles, etc.). **Fotocélulas:** haga intervenir al dispositivo durante el *Cierre*, y controle que la Central detenga el movimiento y ejecute una inversión total del movimiento (la luz de cortesía emitirá 2 destellos y los repetirá de nuevo). **Bandas sensibles:** haga intervenir al dispositivo durante la *Apertura* o el *Cierre*, y controle que la Central detenga el movimiento y ejecute una breve inversión del movimiento (la luz de cortesía emitirá 4 destellos y los repetirá de nuevo).
- 4 Controle que no haya interferencias entre las fotocélulas y otros dispositivos, pasando un cilindro (5 cm de diámetro, 30 cm de longitud) por el eje óptico que une el par de fotocélulas (**fig. 45**): primero pase el cilindro cerca de la fotocélula transmisora TX, después cerca de la receptora RX y, por último, por el centro entre las dos fotocélulas. Compruebe que el dispositivo se accione siempre, pasando del estado activo al estado de alarma y viceversa: por último, compruebe que en la central provoque la acción prevista (por ejemplo la inversión del movimiento durante el *Cierre*).
- 5 Mida la fuerza de impacto de acuerdo con cuanto previsto por la norma EN 12445 y, de ser necesario, si el control de la "fuerza del motor" se utilizara para ayudar al sistema para reducir la fuerza de impacto, pruebe y, por último, determine la regulación que dé los mejores resultados.
- 6 Accione una maniobra de *Cierre* y controle la fuerza de impacto del portón contra la superficie del suelo. De ser necesario, descargue la presión para lograr una regulación que dé los mejores resultados.

PUESTA EN SERVICIO DE LA AUTOMATIZACIÓN

La puesta en servicio puede llevarse a cabo sólo después de haber efectuado correctamente todas las etapas de ensayo. No está admitida la puesta en servicio parcial o en situaciones "precarias".

- 1 Realice el expediente técnico de la automatización que deberá incluir los siguientes documentos: un dibujo de conjunto (véase el ejemplo de las figs. 6, 7 y 8), el esquema de las conexiones eléctricas hechas (véanse los ejemplos del 6° PASO), el análisis de los riesgos y soluciones adoptadas (véase en la página web www.niceforyou.com los formularios a cumplimentar), la declaración de conformidad del fabricante de todos los dispositivos utilizados y la declaración de conformidad cumplimentada por el instalador (véase en la sección "DOCUMENTACIÓN TÉCNICA").
- 2 Aplique sobre el portón una placa con los siguientes datos: tipo de automatización, nombre y dirección del fabricante, responsable de la "puesta en servicio", número de matrícula, año de fabricación y marcado "CE".
- 3 Cumplimente y entregue al dueño de la automatización la declaración de conformidad; a tal fin, deberá cumplimentar el formulario "Declaración de conformidad CE" presente en la sección "DOCUMENTACIÓN TÉCNICA".
- 4 Cumplimente y entregue al dueño de la automatización el documento "Manual de uso" presente en la sección "DOCUMENTACIÓN TÉCNICA".
- 5 Cumplimente y entregue al dueño de la automatización el documento "Plan de mantenimiento" presente en la sección "DOCUMENTACIÓN TÉCNICA", donde se encuentran las prescripciones sobre el mantenimiento de todos los dispositivos de la automatización.
- 6 Antes de poner en servicio la automatización, informe adecuadamente al dueño sobre los peligros y riesgos presentes.
- 7 Aplique de forma permanente sobre el portón una etiqueta o una placa con la imagen de la fig. 46 (altura mínima 60 mm) que tenga escrito "ATENCIÓN RIESGO DE APLASTAMIENTO".

TRABAJOS DE MANTENIMIENTO PERIÓDICO

Por lo general, este producto no requiere trabajos de mantenimiento específicos; sin embargo, un control regular permite mantener la instalación en buenas condiciones y asegura el funcionamiento regular de los sistemas de seguridad instalados.

Por consiguiente, para hacer un mantenimiento correcto, consulte el capítulo "Plan de Mantenimiento" presente en la sección "DOCUMENTACIÓN TÉCNICA" al final del manual.

ELIMINACIÓN DEL PRODUCTO

Este producto forma parte integrante de la automatización y, por consiguiente, deberá ser eliminado junto con ésta.

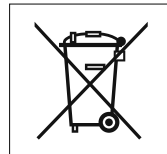
Al igual que para las operaciones de instalación, también al final de la vida útil de este producto las operaciones de desguace deben ser efectuadas por personal experto.

Este producto está formado de varios tipos de materiales: algunos pueden reciclarse y otros deben eliminarse. Infórmese sobre los sistemas de reciclaje o de eliminación previstos por las normativas vigentes locales para esta categoría de producto.

¡Atención! – algunas piezas del producto pueden contener sustancias contaminantes o peligrosas que, si se las abandonara en el medio ambiente, podrían provocar efectos perjudiciales para el mismo medio ambiente y para la salud humana.

Tal como indicado por el símbolo de aquí al lado, está prohibido arrojar este producto a los residuos urbanos. Realice la "recogida selectiva" para la eliminación, según los métodos previstos por las normativas vigentes locales, o bien entregue el producto al vendedor cuando compre un nuevo producto equivalente.

¡Atención! – las normas locales pueden prever sanciones importantes en el caso de eliminación abusiva de este producto.



DECLARACIÓN CE DE CONFORMIDAD

Declaración de conformidad con las Directivas: 1999/5/CE (ETRT), 2004/108/CE (CEM); 2006/42/CE (DM), anexo II, parte B

Nota: el contenido de la presente declaración se corresponde con cuanto se declara en el documento oficial presentado en la sede de Nice S.p.a. y, en particular, con la última revisión disponible antes de la impresión de este manual. El texto aquí contenido se ha adaptado por cuestiones editoriales. No obstante, se puede solicitar una copia de la declaración original a Nice S.p.a. (TV) I.

Número: 290/SHEL Revisión: 2 Idioma: ES
Nombre del fabricante: NICE S.p.A.
Dirección: Via Pezza Alta n°13, 31046 Rustignè di Oderzo (TV), Italia
Persona autorizada para elaborar la documentación técnica: D. Oscar Marchetto
Tipo: Motorreductor electromecánico y accesorios relacionados
Modelos: SHEL50, SHEL75
Accesorios: Radiomandos serie FLO, FLOR, Smilo

El abajo firmante, Luigi Paro, en calidad de Director general, bajo su propia responsabilidad, declara que los productos arriba indicados cumplen con las disposiciones contempladas en las siguientes Directivas:

- Directiva 1999/5/CE DEL PARLAMENTO EUROPEO Y DEL CONSEJO, de 9 de marzo de 1999, sobre equipos radioeléctricos y equipos terminales de telecomunicación y reconocimiento mutuo de su conformidad, en virtud de las siguientes normas armonizadas:
 - Protección de la salud [art. 3, apartado 1, letra a)]: EN 50371:2002
 - Seguridad eléctrica [art. 3, apartado 1, letra a)]: EN 60950-1:2006
 - Compatibilidad electromagnética [art. 3, apartado 1, letra b)]: EN 301 489-1 V1.8.1:2008, EN 301 489-3 V1.4.1:2002
 - Espectro radioeléctrico (art. 3, apartado 2): EN 300 220-2 V2.1.2:2007
- DIRECTIVA 2004/108/CE DEL PARLAMENTO EUROPEO Y DEL CONSEJO de 15 de diciembre de 2004 relativa a la aproximación de las legislaciones de los Estados miembros en materia de compatibilidad electromagnética y por la que se deroga la Directiva 89/336/CEE, según las siguientes normas armonizadas:
 - EN 61000-6-2:2005 y EN 61000-6-3:2007.

Asimismo, el producto también cumple con la siguiente Directiva de conformidad con los requisitos previstos para las "cuasi máquinas":

- Directiva 2006/42/CE DEL PARLAMENTO EUROPEO Y DEL CONSEJO de 17 de mayo de 2006 relativa a las máquinas y por la que se modifica la Directiva 95/16/CE (refundición)
 - Se declara que la documentación técnica correspondiente se ha elaborado de conformidad con el anexo VII B de la Directiva 2006/42/CE y que se han respetado los siguientes requisitos fundamentales: 1.1- 1.1.2- 1.1.3- 1.2.1-1.2.6- 1.5.1-1.5.2- 1.5.5- 1.5.6- 1.5.7- 1.5.8- 1.5.10- 1.5.11
 - El fabricante se compromete a remitir a las autoridades nacionales, previa solicitud justificada, la información pertinente acerca de la "cuasi máquina", sin perjudicar en ningún momento los propios derechos de propiedad intelectual.
 - En caso de que la "cuasi máquina" se ponga en funcionamiento en un país europeo cuya lengua oficial difiera de la que se utiliza en la presente declaración, el importador tiene la obligación de asociar la traducción correspondiente a esta declaración.
 - Se advierte que la "cuasi máquina" no debe ponerse en funcionamiento hasta que, si procede, no se declare la conformidad con las disposiciones contempladas en la Directiva 2006/42/CE de la máquina final en que será incorporada.

También cumplen con las siguientes normas: EN 60335-1:2002 + A1:2004 + A11:2004 + A12:2006 + A2:2006 + A13:2008; EN 60335-2-103:2003

También cumple, con limitación a las partes aplicables, con las siguientes normas: EN 13241-1:2003, EN 12445:2002, EN 12453:2002 y EN 12978:2003

Oderzo, 23.05.11

Ing. Luigi Paro (Administrador Delegado)

CARACTERÍSTICAS TÉCNICAS DE LOS DIFERENTES COMPONENTES DEL PRODUCTO

ADVERTENCIAS

- El producto SHELKIT50 - SHELKIT75 es fabricado por Nice S.p.a. (TV) I.
- Todas las características técnicas indicadas se refieren a una temperatura ambiental de 20°C (± 5°C).
- Nice S.p.a. se reserva el derecho de modificar el producto en cualquier momento que lo considere necesario, manteniendo las mismas funcionalidades y el mismo uso previsto.

MOTORREDUCTOR:	SHELKIT50	SHELKIT75
Tecnología adoptada	Motor de 24 V	
Alimentación	230 Vac - 50/60 Hz	
Par máximo de arranque	9 Nm	12 Nm
Par nominal	6 Nm	7,5 Nm
Empuje máximo	500 N	750 N
Empuje nominal	350 N	450 N
Potencia máxima	200 W	280 W
Velocidad del movimiento	0.07 ÷ 0.13 m/s	0.08 ÷ 0.14 m/s
Tiempo máximo de funcionamiento continuo	4 minutos	
N° de ciclos/hora al par nominal (20°)	8	
Temperatura ambiente de funcionamiento	-20° C ÷ +50° C	
Dimensiones	305 x 109 h x 130 (mm)	
Peso	4 kg	
Clase de aislamiento	1	
Luz de cortesia	12 V / 10 W conexión BA15	
Entrada STOP	Para contactos normalmente cerrados, normalmente abiertos o bien con resistencia constante 8,2 KΩ; en autoaprendizaje (una variación respecto del estado memorizado provoca el mando "STOP")	
Entrada PASO A PASO	Para contactos normalmente abiertos	
Entrada FOTOCÉLULA	Para dispositivos de seguridad con contactos normalmente cerrados	
Receptor	Incorporado	
Funciones programables	4 funciones programables (véase el párrafo 6.3). Autoaprendizaje del tipo de dispositivo de "STOP" (contacto NA, NC o resistencia 8,2 KΩ).	
Funciones en autoaprendizaje	Autoaprendizaje de las posiciones de apertura y cierre del portón y cálculo de los puntos de deceleración y apertura parcial.	
Utilización en atmósfera muy ácida o salobre o con riesgo de explosión	No	
Clase de protección	IP 40 uso únicamente en ambientes interiores o protegidos	
Durabilidad estimada (*)	40.000 a 80.000 ciclos de maniobras	

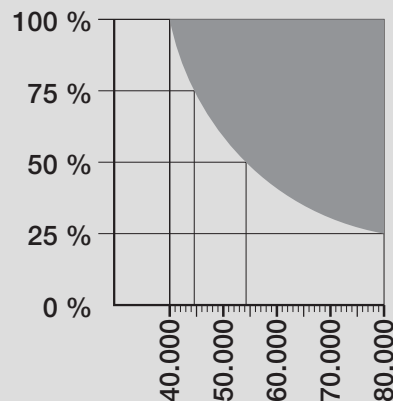
(*) Nota - La durabilidad estimada del producto está comprendida entre 40.000 y 80.000 ciclos de maniobras. Para establecer la durabilidad de su automatización, proceda de esta manera:

a) - evalúe las condiciones de utilización y la fuerzas presentes en la instalación, por ejemplo...

- el peso y la longitud de la puerta de garajes;
- el equilibrado perfecto de la puerta de garajes;
- las condiciones de mantenimiento de los goznes de la puerta de garajes;
- el tipo de hoja: ciega o con muchas aberturas;
- presencia de viento fuerte;
- frecuencia de utilización de la automatización.

b) - obtenga de dicha evaluación un valor indicado en porcentaje que, por lo general, defina el grado mayor o menor de desgaste de la automatización.

c) - determine en el gráfico de aquí al lado el porcentaje estimado (en el punto "b") y lea en correspondencia de éste el número de ciclos de maniobras.



TRANSMISOR FLO4R-S

DESCRIPCIÓN	DATOS
Tipo	Transmisor 4 canales para radiomando
Frecuencia	433.92 MHz
Codificación	Digital Rolling code de 52 Bit, tipo FLOR
Botones	4
Potencia irradiada	100 μW
Alimentación	12 Vdc con batería tipo 23 A
Duración de las baterías	1 año, estimada sobre una base de 20 mandos/día de 1s de duración a 20°C (con temperaturas bajas disminuye la eficiencia de las baterías)
Temperatura ambiente de funcionamiento	-40°C ÷ 85°C
Clase de protección	IP 40 (uso en interiores o ambientes protegidos)
Dimensiones	72 x 40h x 18 mm
Peso	30 g

SICHERHEITSHINWEISE UND MAßNAHMEN**SCHRITT 1**

- Sicher arbeiten 2
- Hinweise zur Installation 2

KENNTNIS DES PRODUKTES UND VORBEREITUNG ZUR INSTALLATION**SCHRITT 2**

- 2.1 - Produktbeschreibung und Einsatz 2
- 2.2 - Komponenten einer kompletten Anlage 3

SCHRITT 3

- Überprüfungen vor der Installation** 3
- 3.1 - Die Eignung der Umgebung und des Tors überprüfen 3
- 3.2 - Die Einsatzgrenzen des Produktes überprüfen 3

SCHRITT 4

- 4.1 - Vorbereitungen 3
- 4.1.1 - *Typische Anlage* 3
- 4.1.2 - *Festlegen der Position der verschiedenen Komponenten* 3
- 4.1.3 - *Bestimmen, nach welchem Plan die Vorrichtungen angeschlossen werden* 3
- 4.1.4 - *Überprüfen der zur Arbeit notwendigen Geräte* 3
- 4.1.5 - *Durchführen der Vorbereitungen* 3
- 4.2 - Verlegen der elektrischen Kabel 3

INSTALLATION: MONTAGE UND ANSCHLUSS DER KOMPONENTEN**SCHRITT 5**

- 5.1 - Die Komponenten der Automatisierung installieren 4
- 5.2 - Befestigung der Automatisierung (an Wand, Decke oder Tor) 4

SCHRITT 6

- Durchführen der Installation und des elektrischen Anschlusses der in der Anlage vorhandenen Vorrichtungen 5

ANSCHLUSS DER VERSORGUNG

- SCHRITT 7** 5

ERSTES EINSCHALTEN UND ÜBERPRÜFUNG DER ELEKTRISCHEN ANSCHLÜSSE

- SCHRITT 8** 5

PROGRAMMIERUNG DER AUTOMATION**SCHRITT 9**

- 9.1 - Speicherung des Senders Mod. FLO4R-S 6
- 9.2 - Speicherung der Endlaufpositionen in *Öffnung* und *Schließung* 6

SONSTIGE EINSTELLUNGEN UND SONDERFUNKTIONEN

- 10 - Einstellung der Funktionen der Automation 6
- 11 - Speicherung eines neuen Senders mit dem Verfahren in der Nähe der Steuerung 7
- 12 - Löschen der Daten aus dem Speicher der Steuerung 7

- WAS TUN WENN... (Leitfaden zum Lösen von Problemen)** 8

DEM FACHTECHNIKER VORBEHALTENE TÄTIGKEITEN

- Anschluss der Automation am Stromnetz 8
- Abnahme und Inbetriebsetzung der Automation 8
- Entsorgung des Produktes 9
- CE-Konformitätserklärung 9

- TECHNISCHE MERKMALE DER VERSCHIEDENEN KOMPONENTEN DES PRODUKTES** 10

- GEBRAUCHSANLEITUNG** V

- BILDER** VIII - XIV

ALLGEMEINE SICHERHEITSHINWEISE UND MAßNAHMEN

SCHRITT 1

SICHER ARBEITEN!

⚠ Achtung – für die Sicherheit von Personen ist es wichtig, die vorliegenden Anweisungen zu beachten.

⚠ Achtung – für die Sicherheit wichtige Anweisungen: diese Anweisungen daher aufbewahren.

Die Planung und Fertigung der Vorrichtungen, aus denen das Produkt besteht, sowie die im vorliegenden Handbuch enthaltenen Informationen entsprechen voll den gültigen Sicherheitsvorschriften. Dennoch können die Personen, die die Arbeit ausführen, und die Benutzer der Anlage durch eine falsche Installation und Programmierung schwer verletzt werden.

Aus diesem Grund sind bei der Installation alle im vorliegenden Handbuch enthaltenen Anweisungen genauestens zu befolgen.

Führen Sie die Installation nicht aus, wenn Sie Zweifel haben: verlangen Sie beim Nice Kundendienst genauere Auskünfte.

Sollten Sie zum ersten Mal eine Automation für Garagentore (Sektionaltore oder Kipptore) realisieren, bitten wir Sie, dem Lesen dieses Handbuchs etwas Zeit zu widmen. Tun Sie das möglichst vor Arbeitsbeginn, haben Sie keine Eile, mit den praktischen Arbeiten zu beginnen.

Halten Sie alle Vorrichtungen, aus denen das Produkt besteht, zur Hand, so dass Sie beim Lesen alle Informationen im Handbuch direkt überprüfen können (mit Ausnahme der Programmierung).

Beachten Sie beim Lesen dieses Handbuchs vor allem die Anweisungen mit dem Symbol:



Diese Symbole weisen auf Argumente hin, die eine potentielle Gefahrenquelle sein können; daher dürfen solche Vorgänge ausschließlich von erfahrener Fachpersonal unter Einhaltung der vorliegenden Anweisungen und der in Ihrem Land gültigen Sicherheitsvorschriften ausgeführt werden.

⚠ HINWEISE ZUR INSTALLATION

Gemäß der neuesten europäischen Gesetzgebung muss die Realisierung eines Garagentors unter Einhaltung der Normen in der Richtlinie 98/37/CE (Maschinenrichtlinie) und insbesondere der Normen EN 12445; EN 12453; EN 12635 und EN 13241-1 erfolgen, die es ermöglichen, die vermutliche Konformität der Automation zu erklären.

Unter Berücksichtigung des Obigen, müssen der endgültige Anschluss des Automatismus am Stromnetz, die Abnahme der Anlage, ihre Inbetriebsetzung und die periodische Wartung durch qualifiziertes und erfahrene Personal unter Einhaltung der Angaben in *“Dem Fachtechniker vorbehaltene Tätigkeiten“* ausgeführt werden. Dieser hat auch die erforderlichen Tests je nach vorhandenem Risiko festzulegen und die Einhaltung des von Gesetzen, Vorschriften und Verordnungen Vorgesehenen zu überprüfen, und insbesondere die Einhaltung aller Anforderungen der Norm EN 12445, in der die Testmethoden zur Überprüfung von Automatismen für Garagentore festgelegt sind.

Alle Arbeiten wie anfängliche Vorbereitung, Installation und Programmierung können auch durch nicht besonders qualifiziertes Personal ausgeführt sein. Bedingung ist, dass alle Anweisungen im vorliegenden Handbuch und insbesondere die Hinweise im vorliegenden SCHRITT 1 genauestens befolgt und in der angegebenen Reihenfolge ausgeführt werden.

Führen Sie folgende Analysen und Überprüfungen aus, bevor Sie die Installation beginnen:

– Prüfen Sie, dass die einzelnen Vorrichtungen der Automation für die Anlage geeignet sind, die Sie realisieren wollen. Kontrollieren Sie diesbezüglich die Angaben in Par. *“Technische Merkmale“* besonders genau. Führen Sie die Installation nicht aus, wenn auch nur eine dieser Vorrichtungen nicht geeignet ist.

– Prüfen Sie, dass die mit dem Kit gelieferten Vorrichtungen ausreichen, um die Sicherheit der Anlage und ihre Funktionalität zu gewährleisten.

– Führen Sie die Risikoanalyse aus, die auch die Liste der wesentlichen Sicherheitsanforderungen, angegeben in *“Anlage I der Maschinenrichtlinie“* einschließen und die jeweiligen, angewendeten Lösungen angeben muss. Die Risikoanalyse ist eine der Unterlagen ist, die Bestandteil der *“Technischen Dokumentation“* der Automation sind. Die *“Technische Dokumentation“* muss von einem Fachinstallateur verfasst sein.

Unter Berücksichtigung der Risiken, die bei der Installation und der Bedienung des Produktes auftreten können, muss die Automation unter Beachtung der folgenden Hinweise installiert werden:

– Führen Sie nur die Änderungen am Automatismus aus, die im vorliegenden Handbuch vorgesehen sind. Vorgänge dieser Art werden nur Betriebsstörun-

gen verursachen. Der Hersteller übernimmt keinerlei Haftung für Schäden, die durch willkürlich veränderte Produkte entstanden sind.

– Vermeiden, dass Teile des Automatismus in Wasser oder andere Flüssigkeiten getaucht werden. Während der Installation vermeiden, dass solche Flüssigkeiten in den Antrieb und sonstige Vorrichtungen eindringen können.

– Sollten Flüssigkeiten in die Vorrichtung eingedrungen sein, die Stromversorgung unverzüglich abtrennen und den Nice Kundendienst zu Rate ziehen; der Gebrauch der Komponente unter diesen Bedingungen kann Gefahren verursachen.

– die Teile des Automatismus nicht in der Nähe Wärmequellen oder Flammen halten; solche Handlungen können sie beschädigen und Betriebsstörungen, Brand oder Gefahren verursachen.

– Alle Vorgänge, für die das Öffnen der Schutzgehäuse der verschiedenen Komponenten der Automation notwendig ist, müssen mit von der Versorgung abgeschalteter Steuerung erfolgen. Sollte die Abschaltvorrichtung nicht sichtbar sein, bringen Sie ein Schild mit der folgenden Schrift an: *“ACHTUNG! WARTUNG IM GANG“*.

– Die an der Wand montierte Druckknopftafel muss sichtbar an der Automatisierung, von ihren sich bewegenden Teilen entfernt, auf einer Mindesthöhe von 1,5 m vom Boden und nicht von der Öffentlichkeit erreichbar, befestigt werden.

– Prüfen, ob während der *Schließbewegung* Quetschrisiken vorliegen; eventuell zusätzliche Sicherheitsvorrichtungen installieren.

– wenn das zu automatisierende Tor eine Durchgangstür hat, muss die Anlage mit einem Kontrollsystem ausgestattet werden, das den Betrieb des Motors untersagt, wenn die Durchgangstür geöffnet ist.

– im Speisungsnetz der Anlage eine Trennvorrichtung mit einer Öffnungsabstand der Kontakte vorsehen, die die vollständige Trennung unter den Bedingungen ermöglicht, die von der Überspannungskategorie III vorgeschrieben werden.

– wenn das Speisungskabel beschädigt ist, muss es von der Firma Nice oder ihrem technischen Kundendienst oder in jedem Fall von einer Person mit einer ähnlichen Qualifikation ersetzt werden, um jedem Risiko vorzubeugen.

– Das Produkt darf nicht von Personen (einschließlich Kinder) benutzt werden, deren körperliche, sensorische oder geistige Fähigkeiten reduziert sind, oder die keine Erfahrung oder Kenntnisse haben, außer wenn diese durch eine für ihre Sicherheit verantwortliche Person überwacht werden oder über die Anwendung des Produkts unterrichtet wurden.

– Das Produkt kann nicht als wirksames Einbruchschutzsystem betrachtet werden. Wenn Sie sich wirksam schützen wollen, muss die Automation mit weiteren Vorrichtungen ergänzt werden.

– Die Steuerung muss an einer elektrischen Versorgungsleitung mit Sicherheitserdung angeschlossen sein.

– Das Produkt kann ausschließlich benutzt werden, nachdem die *“Inbetriebnahme“* der Automation ausgeführt wurde, wie in Par. *“Abnahme und Inbetriebnahme der Automation“* in *“Dem Fachtechniker vorbehaltene Tätigkeiten“* vorgesehen.

– Das Verpackungsmaterial aller Komponenten der Automation muss unter genauester Einhaltung der örtlichen Vorschriften entsorgt werden.

KENNTNIS DES PRODUKTES UND VORBEREITUNG ZUR INSTALLATION

SCHRITT 2

2.1 – PRODUKTBESCHREIBUNG UND EINSATZ

Gewöhnlich dient das Ganze der Vorrichtungen, aus denen das vorliegende Produkt besteht, zur Automatisierung eines Garagentorstorans in Wohngebäuden (**Abb. 1**). Das Garagentor kann ein Sektionaltor oder ein Kipptor sein; das Kipptor kann ausfahrend (das Tor fährt beim Öffnen nach außen aus) oder nicht ausfahrend und mit Federn oder Gegengewichten versehen sein. Um ein Kipptor zu automatisieren, muss daher ein spezieller Schwenkarm installiert werden (Modell SPA5, nicht in der Packung mitgeliefert).

Jeder andere Einsatz als hier beschrieben und in Umgebungsbedingungen, die anders sind als in SCHRITT 3 angegeben, ist unsachgemäß und verboten!

Das vorliegende Produkt besteht aus einem elektromechanischen Antrieb mit 24V Gleichstrommotor, einer Führung, einer Kette und einem Schleppwagen. In dem Antrieb befindet sich auch eine Steuerung.

Sie besteht aus einer Steuerkarte, zusätzlicher Beleuchtung / Leuchtmelder und einem eingebauten Funkempfänger mit Antenne, der die von einem Sender übermittelten Befehle empfängt.

Die Steuerung betreibt verschiedenartige Bewegungen. Jede Bewegung ist programmierbar und kann je nach Bedarf verwendet werden. Weiterhin stehen verschiedene Sonderfunktionen zur Verfügung, um die Automation zu personalisieren.

Die Automation ist mit Vorbereitung für verschiedene Zubehörteile, die ihre Funktionalität erhöhen und die Sicherheit garantieren. Insbesondere kann die Steuerung bis zu 150 Tasten von Sendern FLO4R-S und bis zu 4 Photozellenpaare MOF/MOFO speichern.

Das Produkt funktioniert mit Netzstrom. Bei einem Stromausfall kann das Tor dank einer manuellen Entriegelung von Hand bewegt werden. Der Schleppwagen wird hierbei mit einem Seil oder mit einer außen angebrachten Entriegelung entsperrt (Mod. MU, nicht in der Packung mitgeliefert).

2.2 – KOMPONENTEN EINER KOMPLETTEN ANLAGE

Abb. 2 zeigt alle Komponenten, die für eine komplette Anlage wie die jene in Abb. 8 nötig sind.

WICHTIGER HINWEIS!

Einige Komponenten in Abb. 2 sind Optionals und daher in der Packung nicht vorhanden.

Liste der notwendigen Komponenten:

- [a] - Elektromechanischer Antrieb
- [b] - ganze Führung
- [c] - Bügel zur Befestigung des Antriebs an der Decke
- [d] - Bügel zur Befestigung der Führung an der Wand
- [e] - mechanischer Endanschlag für das Anhalten des Wagens am Endlauf
- [f] - Vorgelege der Kette
- [g] - Schleppkette
- [h] - Schleppstange des Tors (nur für Sektionaltore)
- [i] - Laufwagen
- [l] - Seil und Knauf zur Entriegelung des Automatismus
- [m] - Bügel für die Verbindung der Schleppstange mit dem Tor
- [n] - Schwenkarm mit seiner Schleppstange (SPA5, nur für Kipptore)
- [o] - Paar Photozellen MOF/MOFO (Wandmontage)
- [p] - Sender (tragbar) Mod. FLO4R-S
- [q] - Tastatur MOTXR für die Funksteuerung (Wandmontage)
- [r] - Kleinwaren aus Metall (Schrauben, Unterlegscheiben, usw.)*

(* **Anmerkung** – Die Schrauben zur Befestigung der Komponenten an der Mauer befinden sich nicht in der Packung, da ihr Typ vom Material und der Stärke der jeweiligen Mauer abhängt.)

SCHRITT 3

ÜBERPRÜFUNGEN VOR DER INSTALLATION

Vor Installationsbeginn muss geprüft werden, ob Komponenten des Produktes beschädigt und das gewählte Modell und die Umgebung für die jeweilige Installation geeignet sind.

WICHTIG - Der Antrieb kann nur ein bereits effizientes und sicheres Tor motorisieren; er kann Defekte aufgrund einer falschen Installation oder schlechten Wartung des Tors selbst nicht beseitigen.

3.1 – DIE EIGNUNG DER UMGEBUNG UND DES TORS ÜBERPRÜFEN

- Im Fall eines ausfahrenden Kipptors prüfen Sie, dass das Tor bei seiner Bewegung keinen Platz auf öffentlichen Straßen oder Gehsteigen einnimmt.
- Prüfen Sie, ob die mechanische Struktur des Tors automatisiert werden kann und den bei Ihnen gültigen Vorschriften entspricht.
- Prüfen Sie die Robustheit der mechanischen Struktur des Tors und kontrollieren Sie, dass es aus den Führungen nicht ausgleiten kann.
- Bewegen Sie das Tor in *Öffnung* und *Schließung* von Hand und prüfen Sie, ob die Reibung während der gesamten Bewegung immer gleich und konstant ist (es dürfen keine stärkeren Beanspruchungen vorhanden sein).
- Prüfen Sie das Gleichgewicht des Tors: es darf sich nicht bewegen, wenn Sie es an einer beliebigen Stelle zum Stehen bringen (von Hand).
- Prüfen Sie, ob der Platz um die Automatisierung herum eine einfache und sichere Entriegelung von Hand ermöglicht.
- Prüfen Sie, ob die für die Installation der verschiedenen Vorrichtungen gewählten Oberflächen solide sind und eine stabile Befestigung garantieren.
- Prüfen Sie, ob jede Vorrichtung, die Sie installieren wollen, in geschützter und stoßsicherer Position angebracht werden kann.
- Prüfen Sie, ob die zur Befestigung der Photozellen gewählten Oberflächen eben sind und eine korrekte Fluchtung zwischen diesen ermöglichen.

3.2 – DIE EINSATZGRENZEN DES PRODUKTES ÜBERPRÜFEN

Um zu bestimmen, ob sich das Produkt für Ihr Tor und das zu automatisierende Ganze eignet, sind die hier folgenden Überprüfungen auszuführen. Die Konformität sowohl mit den Daten in diesem Paragraph als auch mit den technischen Daten in Kapitel *„Technische Merkmale des Produkts“* überprüfen.

- Prüfen Sie, ob die Abmessungen und das Gewicht des Tors den folgenden Einsatzgrenzen entsprechen. **Anmerkung** – Die angegebenen Höchstwerte können sich aufgrund der Form des Tors und der Witterung (z. B. starker Wind) reduzieren. In diesem Fall muss die Kraft gemessen werden, die zur Bewegung des Tors unter den schlechtesten Bedingungen notwendig ist. Dann mit den Daten in den technischen Merkmalen des Antriebs vergleichen:

	SHEL50KIT	SHEL75KIT
Sektionaltore	350 x 240 cm	400 x 240 cm
Ausfahrende Kipptore	350 x 280 cm	400 x 280 cm
Nicht ausfahrende Kipptore	350 x 220 cm	400 x 220 cm

- Prüfen Sie, ob der zur Befestigung des Antriebs und der Führung vorgesehene Platz mit dem Platzbedarf der Automation kompatibel ist. Prüfen Sie daher, ob die in den **Abb. 3, 4 und 5** angegebenen minimalen Räume eingehalten werden können.

Achtung! - Sollten die Resultate dieser Überprüfungen mit dem Vorgeschriebenen nicht konform sein, kann das vorliegende Modell nicht zur Automatisierung Ihres Tors verwendet werden.

SCHRITT 4

4.1 – VORBEREITUNGEN

4.1.1 – Typische Anlage

Die **Abb. 6, 7, 8** zeigen als Beispiel eine Automation, die mit den mit dem vorliegenden Produkt kompatiblen Komponenten realisiert ist. Diese Komponenten sind wie üblich angebracht und montiert. Die benutzten Komponenten sind:

- a - Elektromechanischer Antrieb
- b - Führung für das Gleiten des Laufwagens
- c - Laufwagen
- d - Mechanischer Endanschlag zum Anhalten des Wagens am Laufende
- e - Knauf für die manuelle Entriegelung des Wagens
- f - Bügel für die Verbindung zwischen Wagen und Tor
- g - Paar Photozellen MOF/MOFO (Wandmontage)
- h - Tastatur MOTXR für die Funksteuerung (Wandmontage)
- i - Tragbarer Sender FLO4R-S
- l - Taste

4.1.2 – Festlegen der Position der verschiedenen Komponenten

Siehe **Abb. 6, 7 und 8**, um die ungefähre Position festlegen, in der jede für die Anlage vorgesehene Komponente installiert werden soll.

4.1.3 – Bestimmen, nach welchem Plan die Vorrichtungen angegeschlossen werden

Um das für alle Vorrichtungen Ihrer Anlage beste Verbindungsschema zu bestimmen, beziehen Sie sich bitte auf das Beispiel in **Abb. 10** - SCHRITT 6.

4.1.4 – Überprüfen der zur Arbeit notwendigen Geräte

Stellen Sie vor der Installation sicher, dass Sie über alle zur Arbeit notwendigen Geräte und Materialien verfügen (siehe Beispiel in **Abb. 9**). Überprüfen Sie, dass alles in gutem Zustand und konform mit den örtlichen Sicherheitsvorschriften ist.

4.1.5 – Durchführen der Vorbereitungen

Abschließend die Strecken zum Verlegen der Rohrleitungen der Elektrokabel ausgraben oder externe Kanäle verlegen, die Rohrleitungen im Beton versenken und sonstige Vorbereitungen ausführen, um den Installationsort auf die nachfolgende Installation vorzubereiten.

ACHTUNG! – Bringen Sie die Enden der Rohrleitungen zum Durchführen der Elektrokabel in der Nähe der Stellen an, wo die verschiedenen Komponenten befestigt werden sollen.

Anmerkungen:

- Die Rohrleitungen sollen die Elektrokabel schützen und unbeabsichtigte Schäden zum Beispiel durch Stöße verhindern.
- Fest montierte Steuervorrichtungen müssen in Sichtnähe des Tors, aber fern von seinen Bewegungsteilen in über 150 mm Höhe ab Boden angebracht sein.

4.2 – VERLEGEN DER ELEKTRISCHEN KABEL

Mit Ausnahme des Versorgungskabels und des Steckers funktioniert der Rest der Anlage mit niedrigster Spannung (ca. 24V). Die elektrischen Kabel können daher auch durch nicht besonders qualifiziertes Personal verlegt werden, wobei aber alle Anweisungen in der vorliegenden Anleitung genauestens einzuhalten sind. Zum Verlegen der Elektrokabel und um zu bestimmen, welcher Kabeltyp für jede Verbindung zu verwenden ist, nehmen Sie bitte auf **Abb. 10** Bezug.

HINWEISE:

- **KEINE Anschlüsse während des Verlegens der Elektrokabel ausführen!**
- Lassen Sie sich von einem Fachelektriker eine entsprechend geschützte 16 A Schukosteckdose installieren, in die der Stecker des Antriebs gesteckt wird. Die Steckdose muss so angebracht sein, dass das Kabel nicht in Bewegungsteile oder Gefahrenbereiche hängt, nachdem der Stecker angeschlossen ist.

Technische Merkmale der Elektrokabel (Anmerkung 1)

	Vorrichtungen	Klemmen	Funktion	Kabeltyp	Zulässige Höchstlänge
A	Sicherheitsphotozellen	3 - 5	Eingang FOTO	TX Kabel 2 x 0,25 mm ² RX Kabel 3 x 0,25 mm ²	20 m (Anmerkung 2) 20 m (Anmerkung 2)
B	Steuertaste	3 - 4	Eingang SCHRITTBETRIEB	Kabel 2 x 0,25 mm ²	20 m (Anmerkung 2)
C	Sicherheitstaste – Schaltleisten – usw.	1 - 2	Eingang STOPP	Kabel 2 x 0,25 mm ²	20 m (Anmerkung 2)

Anmerkung 1 – Die für die Anlage notwendigen Kabel (in der Packung nicht vorhanden) können je nach Anzahl und Typ der Anlagenvorrichtungen unterschiedlich sein.

Anmerkung 2 – Die Anschlüsse an den Klemmen 1-2 (Stopp), 4-5 (Schrittbetrieb) und 3-5 (Foto) können auch mit einem einzigen Kabel mit mehreren Leitern ausgeführt werden.

ACHTUNG! – Die benutzten Kabel müssen für den jeweiligen Installationsort geeignet sein; zum Beispiel wird ein Kabel des Typs H03VV-F für Innenanwendungen empfohlen.

INSTALLATION: MONTAGE UND ANSCHLUSS DER KOMPONENTEN

SCHRITT 5

5.1 – INSTALLATION DER KOMPONENTEN DER AUTOMATION WICHTIGE HINWEISE

- Durch eine falsche Installation können die Person, die die Arbeit ausführt, und die Benutzer der Anlage schwer verletzt werden.
- Führen Sie die in SCHRITT 3 beschriebenen Überprüfungen aus, bevor Sie den Zusammenbau der Automation beginnen.

Nachdem die Elektrokabel verlegt sind, können Sie die mechanischen Teile der Führung und des Antriebs in der folgenden Reihenfolge montieren:

01. Die Führung in den Sitz am Antrieb einspannen (Abb. 11).
02. Den mechanischen Endanschlag (a) in die Führung stecken und in Antriebsnähe verschieben; dann die Platte (b) am Endanschlag anbringen und das Ganze mit einer Schraube blockieren (Abb. 12). **Anmerkung** – Die Schraube darf NICHT zu fest angezogen werden, da der Endanschlag später in seine endgültige Stellung verschoben werden muss.
03. Die Kettenenden mit zwei Schrauben in den Rillen der Wagenplatte befestigen (Abb. 13).
04. Die beiden Wagenplatten zusammenbauen; die Schraube in die Halterung der Vorgelegescheibe stecken; die Vorgelegescheibe an der Kette anbringen und das Ganze mit dem mitgelieferten Stift an den Vorgelegebügel montieren (Abb. 14).
05. Kette und Wagen in die Führung stecken, dabei folgende Hinweise beachten: **Abb. 15-a)** die Wagenseite mit der Kette, die mit den Schrauben befestigt ist, an der Seite anbringen, wo sich der Deckel der Steuerung befindet; **Abb. 15-b)** den Wagen ca. auf Führungshälfte anbringen.
06. Die Kette durch das Ritzel des Antriebs führen und das Ganze mit dem Schutzdeckel verschließen (Abb. 16).
07. Den Bügel am Ende der Führung einstecken und das Ganze mit Unterlegescheibe und Mutter befestigen (Abb. 17).
08. Die Kette spannen, indem die Mutter auf der Schraube des Vorgelegebügels festgeschraubt wird (Abb. 18). **ACHTUNG** – eine zu stark gespannte Kette kann den Antrieb beanspruchen und beschädigen; eine zu wenig gespannte Kette kann störende Geräusche verursachen.

NUR FÜR KIPPTORE

Falls das Tor, das Sie automatisieren wollen, ein Kipptor ist (ausfahrend oder nicht - Abb. 1), muss der Schwenkarm Mod. SPA5 installiert werden (Abb. 19). Daher die verschiedenen Bestandteile des Arms zusammenbauen. **WICHTIG** – Der Arm sollte sich so nah wie möglich am Torgriff befinden.

Siehe Schritt 10 für die Montage der Schleppstange.

Anmerkung – das Zubehör nach den Anweisungen in seiner Verpackung montieren.

10. **ACHTUNG!** – Im Fall eines Kipptors, hierzu die mit dem Schwenkarm gelieferte Schleppstange verwenden.

Bevor Sie die Schleppstange montieren, muss sie so zugeschnitten werden, dass ihre Länge dem empfohlenen Maß E in Abb. 3 entspricht. Dann ein Ende der Schleppstange mit Schrauben und Muttern am Bügel befestigen (jener, der am Tor oder am Schwenkarm befestigt wird); das andere Ende muss am Wagen befestigt werden (Abb. 20).

11. Am Wagen ein Ende des manuellen Entriegelungsseils befestigen; das andere Ende muss am Knauf befestigt werden (Abb. 21). **Anmerkung** – der Knauf der manuellen Entriegelung muss sich in einer Höhe von 180 cm ab Boden oder niedriger befinden.

WICHTIG! – Die folgenden Schritte bei GESCHLOSSENEM Tor ausführen.

12. • Falls das Tor ein SEKTIONALTOR ist: die Länge von Maß B bestimmen, dabei die Maße A und E berücksichtigen (Abb. 3).
• Falls das Tor ein KIPPTOR ist: die Länge von Maß B bestimmen, dabei das Maß F berücksichtigen (Abb. 4).

Anmerkung – Falls es die Maße A, E oder F ermöglichen, kann die Automation auch direkt an der Decke befestigt werden (min. 4 mm).

13. Die beiden Bügel zur Befestigung der Führung an der Decke wie ein "L" biegen und mit Schrauben und Muttern in der Nähe des Antriebs montieren (Abb. 22).

Anmerkung – an den Bügeln das Loch wählen, das das in Punkt 12 bestimmte Maß B am meisten respektiert.

5.2 – BEFESTIGUNG DER AUTOMATISIERUNG (AN WAND, DECKE ODER TOR)

Nach dem Zusammenbau der Führung und des Antriebs muss die Automatisierung an der Wand, der Decke oder dem Tor befestigt werden. In der hier folgenden Reihenfolge vorgehen.

01. Den Antrieb mit einer Stütze (Leiter, Stangen oder sonstiges) vom Boden heben und oben anbringen, so dass die Führungsbügel an der Decke und der Wand über dem Tor aufliegen (Abb. 23). **WICHTIG** – (Abb. 23-a) die Führung und den Antrieb mit der vertikalen Achse des Tors und rechtwinklig zu diesem (90° Winkel) fluchten). **Anmerkung** – Im Fall von Kipptoren muss die Führung mit dem Schwenkarm gefluchtet sein.

Weiterhin prüfen, dass die Maße A, B und E in Abb. 3 sowie die Maße B und F in Abb. 4 eingehalten sind.

02. Die einwandfrei horizontale Stellung der Führung kontrollieren und die 4 Befestigungspunkte der Bügel markieren; dann bohren und die Dübel einstecken (Abb. 24).

03. Die Automatisierung mit für das Material geeigneten Schrauben und Dübeln an der Decke und der Wand befestigen (Abb. 25).

Anmerkungen:

- Je nach Typ und Material der Wand kann der Bügel am Führungsende mit Nieten oder mit Schrauben und Dübeln befestigt sein.

- Bei der Wahl der Befestigungsart der Bügel an Decke und Wand ist folgendes zu berücksichtigen:

- der Bügel am Kopfende der Führung muss der Kraft standhalten, die zum Öffnen und Schließen des Tors notwendig ist;
- die Deckenbügel müssen das Gewicht des Antriebs tragen.

In beiden Fällen sind auch der Verschleiß und Verformungen im Laufe der Zeit zu berücksichtigen.

04. Den überschüssigen Teil der an der Decke befestigten Bügel absägen (Abb. 26).

05. (Bei geschlossenem Tor) Am Entriegelungsknauf ziehen und den Wagen gleiten lassen, bis der Ankerbügel am oberen Rand des Sektionaltors aufliegt bzw. bis zum Anschluss des Schwenkarms (Kipptor). Dann die Schleppstange mit der Führung fluchten und den Bügel mit Nieten oder für das Tormaterial geeigneten Schrauben an diesem befestigen (Abb. 27).
06. Die Schraube des mechanischen Endanschlags etwas lösen und das Tor von Hand in die maximale Öffnung bewegen (Abb. 28).
07. Den mechanischen Endanschlag zum Wagen hin verschieben, so dass er an diesem anschlägt.
Dann den mechanischen Endanschlag durch Festziehen der Schraube endgültig blockieren (Abb. 29).
Anmerkung – Beim Normalbetrieb wird der Wagen ein paar Zentimeter vor dem mechanischen Endanschlag anhalten.
08. Um das Tor wieder zu blockieren, das Tor von Hand schließen, bis man ein trockenes Einrastgeräusch hört.

SCHRITT 6

Nachdem alle in der Anlage vorgesehenen Vorrichtungen installiert sind – jede in der in SCHRITT 4 vorgesehenen Stellung – muss jede Vorrichtung wie folgend mit der Steuerung verbunden werden.

ACHTUNG! – Ein falscher Anschluss kann Defekte und/oder Gefahren verursachen, daher die angegebenen Anschlüsse genauestens ausführen.

01. Die Schraube am Deckel der Steuerung mit einem Schraubenzieher ausdrehen und die Steuerung nach außen ziehen (Abb. 30), um Zugang zu den Klemmen für die elektrischen Anschlüsse an der Steuerung zu erhalten.
02. Mit demselben Schraubenzieher die Schlitzlöcher zum Durchführen der Elektrokabel öffnen (Abb. 31), die von den verschiedenen, in der Anlage installierten Vorrichtungen kommen.
03. Dann die Elektrokabel der verschiedenen Vorrichtungen an der Steuerung anschließen; hierzu die Klemmleiste mit fünf Klemmen verwenden (Abb. 32).

ACHTUNG – Das Kabelstück, das die Klemmen 3 und 5 verbindet, darf nur entfernt werden, falls man Photozellen installiert.

Wie folgend vorgehen, um diese Anschlüsse korrekt auszuführen.

• Anschluss eines Photozellenpaares als Sicherheitsvorrichtung

In der Anlage kann man ein oder mehrere Photozellenpaare mit Sicherheitsfunktion installieren. Falls man mehrere Photozellenpaare installiert, müssen diese miteinander "seriengeschaltet" sein und die Kette muss an den Klemmen 3 und 5 an der Steuerung angeschlossen werden. Dann ihre Versorgung an den Klemmen 2 und 3 anschließen (siehe das Beispiel in Abb. 33 und 34).

Während der Schließung verursacht die Auslösung dieser Photozellen das Anhalten und die unverzügliche Reversierung der Bewegung.

• Anschluss einer Taste mit "NO"-Kontakt zum Schalten der Bewegungen

In der Anlage kann eine Taste mit "NO"-Kontakt (gewöhnlich geöffnet) installiert sein, um die Bewegungen im Modus "Schrittbetrieb" auszuführen (siehe SCHRITT 0 für die Details dieses Betriebsmodus). Diese Taste an den Klemmen 3 und 4 der Steuerung anschließen.

Anmerkung – Falls man mehrere Steuertasten installiert, müssen diese miteinander "parallel geschaltet" sein, wie im Beispiel in Abb. 35 und 36 gezeigt.

• Anschluss anderer Sicherheitsvorrichtungen, die keine Photozellen sind

Neben den Photozellen können auch andere Sicherheitsvorrichtungen mit verschiedenen Kontakttypen in der Anlage installiert sein. Diese sind:

- Vorrichtungen mit "gewöhnlich geöffnetem" Kontakt ("NO");
- Vorrichtungen mit "gewöhnlich geschlossenem" Kontakt ("NC");
- Vorrichtungen mit konstantem 8,2 K Ω Widerstand.

Diese Vorrichtungen müssen an den Klemmen 1 und 2 der Steuerung angeschlossen sein; weiterhin kann auch mehr als eine Vorrichtung wie folgend an denselben Klemmen angeschlossen werden:

A) – um ein Ganzes an "NO"-Vorrichtungen anzuschließen, eine "Parallelschaltung" anwenden, wie im Beispiel in Abb. 37.

B) – um ein Ganzes an "NC"-Vorrichtungen anzuschließen, eine "Serienschaltung" anwenden, wie im Beispiel in Abb. 38.

C) – um ein Ganzes an Vorrichtungen mit konstantem 8,2 K Ω Widerstand miteinander zu verbinden, eine "Parallelschaltung" anwenden und den Widerstand (8,2K Ω) an der letzten Vorrichtung einschalten, wie im Beispiel in Abb. 39.

D) – um ein Ganzes an Vorrichtungen mit verschiedenen Kontakten ("NO", "NC" und konstanter 8,2 K Ω Widerstand) miteinander zu verbinden, ein gemischtes Schaltungssystem anwenden (Serien- und Parallelschaltung), wie im Beispiel in Ab. 40.

Anmerkung – Nur die Vorrichtungen mit Ausgang mit konstantem 8,2 K Ω Widerstand gewährleisten die Fehlertoleranzklasse 3 gemäß EN 954-1.

Die Auslösung dieser Sicherheitsvorrichtungen verursacht das Anhalten der laufenden Bewegung und eine kurze Reversierung.

• Versorgung von Vorrichtungen, die anders sind als in diesem Kapitel angegeben

In der Anlage können auch andere Vorrichtungen als erwähnt installiert sein, zum Beispiel ein Universalempfänger mit Relais. Diese Vorrichtungen müssen an den Klemmen 2 und 3 der Steuerung angeschlossen sein. **Achtung!** – An den Klemmen 2 und 3 liegt eine Spannung von 24 Vcc an und es wird ein Strom von 100 mA geliefert. Die Summe der Stromaufnahme der verschiedenen, an diesen Klemmen angeschlossenen Vorrichtungen darf diesen Wert nicht überschreiten.

WICHTIGER HINWEIS – Nachdem die Anschlüsse ausgeführt sind, müssen alle Kabel mit Schellen blockiert werden, dann den Deckel wieder auf der Steuerung anbringen.

ANSCHLUSS DER VERSORGUNG

SCHRITT 7

WICHTIGE HINWEISE!

– Das mitgelieferte Versorgungskabel aus PVC ist für Innenanwendungen geeignet.

– Der endgültige Anschluss der Automation am Stromnetz oder der Ersatz des mitgelieferten Kabels darf ausschließlich und unter Einhaltung der örtlich gültigen Sicherheitsvorschriften und der Anweisungen in "Dem Fachtechniker vorbehaltene Tätigkeiten" ausgeführt werden.

Um die Funktionsprüfungen und die Programmierung der Automation auszuführen, die Steuerung mit Spannung versorgen, indem der Stecker des mitgelieferten Stromkabels in eine Steckdose gesteckt wird (Abb. 41). Falls die Steckdose weiter entfernt von der Automation ist, kann in dieser Phase eine Verlängerung benutzt werden.

ERSTES EINSCHALTEN UND ÜBERPRÜFUNG DER ELEKTRISCHEN ANSCHLÜSSE

SCHRITT 8

ACHTUNG! – Alle hier folgend im Handbuch beschriebenen Vorgänge werden an unter Spannung stehenden elektrischen Kreisläufen ausgeführt, die Vorgänge könnten daher gefährlich sein! Daher sehr aufmerksam vorgehen.

Nachdem die Steuerung mit Spannung versorgt ist (Abb. 41) die hier folgend verzeichneten Vorgänge ausführen und die Punkte nach der Überprüfung der Konformität der Ergebnisse nach und nach abhaken.

• Gleich nach dem Einschalten blinkt die rote LED ein paar Sekunden lang schnell (Abb. 42), dann schalten sich die grüne und die rote LED abwechselnd ein; danach schaltet sich die grüne LED aus und die rote wird regelmäßig einmal pro Sekunde weiterblinken (= ordnungsgemäßer Betrieb der Steuerung).

Achtung! – Sollte die rote LED nicht wie beschrieben blinken, die elektrische Versorgung zur Steuerung abschalten und die durchgeführten Anschlüsse genau überprüfen (siehe auch das Kapitel "Was tun, wenn...").

• Falls die Anlage Photozellen hat, an RX prüfen, ob die LED ausgeschaltet (= ordnungsgemäßer Betrieb) oder eingeschaltet (= Hindernis vorhanden) ist. Falls die LED dagegen blinkt, ist das Signal schwach und aufgrund einer falschen Fluchtung der beiden Photozellen gestört.

Falls die Anlage eine Funksteuertastatur hat, muss geprüft werden, ob sie funktioniert. Hierzu auf die entsprechende Anleitung Bezug nehmen.

SCHRITT 9

HINWEISE zur Programmierung:

Lesen Sie bitte zuerst das Verfahren und führen Sie danach die beschriebenen Vorgänge *nacheinander aus* – die Zeit zwischen dem Loslassen einer Taste und dem Druck auf die nächste darf nicht länger als 10 Sekunden sein.

• In dieser Anleitung sind die Sendertasten mit Zahlen gekennzeichnet. Für die Übereinstimmung der genannten Zahlen mit den Tasten des Senders siehe die Abb. 43.

9.1 – SPEICHERUNG DES SENDERS Mod. FLO4R-S

Damit man die Automation mit dem Sender steuern kann, müssen seine Tasten in der Steuerung gespeichert sein.

Mit der Speicherung kann jeder Taste der gewünschte Befehl zugeordnet werden. Die zur Verfügung stehenden Befehle sind:

1 = Schrittbetrieb: entspricht der Sequenz ... *Öffnet - Stopp - Schließt - Stopp* ... Der erste Steuerbefehl aktiviert die *Öffnung*, der nächste (mit sich bewegendem Tor) ein *Stopp*, der dritte die *Schließung*, der vierte (mit sich bewegendem Tor) ein *Stopp*, usw.

2 = Schrittbetrieb – Öffnet: entspricht der Sequenz ... *Öffnet - Stopp - Schließt - Öffnet* ... Der erste Steuerbefehl aktiviert die *Öffnung*, der nächste (mit sich bewegendem Tor) ein *Stopp*, der dritte die *Schließung*, der vierte (mit sich bewegendem Tor) die *Öffnung*, usw.

3 = Teilöffnung: entspricht einer kurzen Öffnung des Tors. Dieser Befehl wirkt nur bei ganz geschlossenem Tor.

4 = Zusätzliche Beleuchtung: ... *On - Off - On* ...

Die einzelne Durchführung des Verfahrens speichert **eine einzelne Taste** des Senders; dieser kann sowohl in der vorliegenden Steuerung als auch in Steuerungen anderer Automationen gespeichert sein. Im Speicher der Steuerung können bis zu 150 Tasten gespeichert werden.

Das folgende Verfahren für jede Taste wiederholen, die man speichern will.

- 01.** Bestimmen, welche **Taste** des Senders man speichern will (*Beispiel: Taste T3*).
- 02.** Bestimmen, welcher **Befehl** der vorher angegebenen der gewählten Taste zugeordnet werden soll (*Beispiel: der Befehl "2"*).
- 03.** Dann sooft auf die Taste **"P1"** an der Steuerung drücken, wie die Zahl des gewählten Befehls ist (in unserem Beispiel **"2"** Mal) und prüfen, ob die grüne LED genauso oft schnell blinkt (dieses Blinken wird sich regelmäßig wiederholen).
- 04.** (innerhalb von 10 Sekunden) Mindestens 2 Sekunden lang auf die Sendertaste drücken, die man speichern will (in unserem Beispiel Taste **"T3"**).

Die grüne LED wird 3 Mal lang blinken, falls die Speicherung erfolgreich war (= Speicherung OK). **Anmerkung** – Vor dem Ablauf der 10 Sekunden kann eine Taste eines NEUEN Senders mit demselben Befehl gespeichert werden (was zum Beispiel nützlich ist, wenn man mehrere Sender in derselben Steuerung speichern muss).

Andernfalls warten, bis sich die grüne LED ausschaltet (= Verfahren beendet) und die rote LED wieder regelmäßig blinkt.

9.2 – SPEICHERUNG DER ENDLAUFPOSITIONEN IN ÖFFNUNG UND SCHLIEßUNG DES TORS

Die Endlaufposition *"Schließung"* (B - Abb. 44) entspricht der maximalen **Schließung** des Tors, die Endlaufposition *"Öffnung"* (A - Abb. 44) der maximalen **Öffnung**.

In dieser Phase der Installation muss die Steuerung die Positionen maximale *"Schließung"* und *"Öffnung"* des Tors und die Konfiguration des Eingangs STOPP nach dem folgenden Verfahren erlernen und speichern:

ACHTUNG! – Die folgenden Vorgänge können **ausschließlich mit Taste "P1" an der Steuerung des Antriebs ausgeführt werden.**

- 01.** Prüfen Sie, ob der Laufwagen eingespannt ist.
- 02.** Drücken Sie lang (ca. 5 Sekunden) auf die Taste **"P1"** an der Steuerung, bis sich die **rote LED** einschaltet. Lassen Sie dann die Taste los.
- 03.** Nun startet die Steuerung selbsttätig 3 Bewegungen nacheinander (*Schließung – Öffnung – Schließung*) und speichert automatisch die beiden Endlaufpositionen. **Anmerkung** – Die **zusätzliche Beleuchtung blinkt während der Durchführung der 3 Bewegungen**.
Achtung! – wenn während der 3 Bewegungen eine Sicherheitsvorrichtung auslöst oder zufällig auf die Taste **"P1"** gedrückt wird, unterbricht und annulliert die Steuerung unverzüglich das ganze Verfahren. In diesem Fall muss das ganze Verfahren von Anfang an wiederholt werden.
- 04.** Abschließend, mit der Sendertaste **T1** den Befehl für 3 oder 4 ganze Öffnungs- und Schließbewegungen erteilen (bei diesen Bewegungen spei-

chert die Steuerung die Werte der **Kraft**, die zur Bewegung des Tors an jedem Punkt seines Laufs notwendig ist).

Achtung! – Diese Bewegungen dürfen nicht unterbrochen werden, andernfalls muss das ganze Verfahren ab Anfang erneut ausgeführt werden.

ACHTUNG! – Falls die Kette der Motorritzscheibe während der Suche der Positionen ein rhythmisches Geräusch macht, ist sie nicht richtig gespannt. Das Verfahren in diesem Fall durch Drücken der Taste **"P1"** an der Steuerung unterbrechen, dann die Kette durch Festschrauben der Mutter und das ganze Verfahren von Anfang an wiederholen.

Das vorliegende Verfahren kann auch zu anderen Zeiten wiederholt werden, zum Beispiel nach einer eventuellen Verschiebung der mechanischen Endlaufsperrung auf der Führung.

SONSTIGE EINSTELLUNGEN UND SONDERFUNKTIONEN

Die Steuerung verfügt über mehrere Sonderfunktionen, die der Automation spezifische Funktionalitäten hinzufügen und diese je nach Ihrem Bedarf personalisieren.

10 – EINSTELLUNG DER FUNKTIONEN DER AUTOMATION

Um die Automation zu personalisieren, können mehrere Funktionen aktiviert bzw. deaktiviert werden. Weiterhin ist es möglich, ihren Wert einzustellen. Diese Funktionen sind:

AUTOMATISCHE SCHLIEßUNG. Wenn diese Funktion aktiviert ist, wird die Steuerung das Tor am Ende einer vom Benutzer befohlenen Öffnungsbewegung nach einer bestimmten Zeit automatisch schließen.

BEWEGUNGSGESCHWINDIGKEIT. Mit dieser Funktion kann die Geschwindigkeit eingestellt werden, mit der die Automation das Tor bewegen soll.

EMPFINDLICHKEIT HINDERNISSEN GEGENÜBER. Falls das Tor während einer Bewegung durch ein zufälliges Hindernis gebremst wird (ein Windstoß, ein Fahrzeug, eine Person, usw.), misst diese Funktion unverzüglich den erhöhten Kraftaufwand des Antriebs und verursacht eine sofortige Reversierung der Bewegung.

• **DRUCKENTLADUNG.** Am Ende der Schließbewegung, bei ganz geschlossenem Tor wird der Antrieb das Tor noch kurz weiter schieben, um eine einwandfreie Schließung zu gewährleisten. Gleich danach verursacht die Funktion "Entladung" eine sehr kurze Reversierung, um den überschüssigen Druck des Antriebs auf das Tor zu entladen.

Die Werte dieser Funktionen können mit dem folgenden Verfahren und einem Sender, der mindestens eine bereits in der Steuerung gespeicherte Taste besitzt, je nach Bedarf eingestellt werden.

Anmerkung – Während des Verfahrens wird die **Blinkleuchte bei jedem Druck auf eine Taste kurz blinken**.

- 01.** Mindestens **5 Sekunden** lang **gleichzeitig** auf die Tasten **"T1"** und **"T2"** des Senders drücken und dann loslassen.
An der Steuerung blinken die beiden LEDs (grün und rot) und melden so den Beginn der "Programmierung der Funktionen" (die LEDs werden während des ganzen Verfahrens blinken).
- 02.** Eine Taste an dem Sender, der bereits in jener Steuerung gespeichert ist, mindestens **1 Sekunde** lang gedrückt halten (die grüne LED wird einmal blinken).
- 03.** Dann eine der vier verfügbaren Funktionen wählen und am Sender die Taste, die der gewählten Funktion zugeordnet ist, mindestens **1 Sekunde** lang gedrückt halten (die grüne LED wird 1 Mal blinken).
 - **Automatische Schließung** = (auf Taste **"T1"** drücken)
 - **Bewegungsgeschwindigkeit** = (auf Taste **"T2"** drücken)
 - **Empfindlichkeit Hindernissen gegenüber** = (auf Taste **"T3"** drücken)
 - **Druckentladung** = (auf Taste **"T4"** drücken)
- 04.** Dann in **Tabelle 4** den gewünschten Wert der gewählten Funktion auswählen und am Sender die Taste, der der gewählte Wert zugeordnet ist, mindestens **1 Sekunde** lang gedrückt halten (die rote und die grüne LED werden als Bestätigung 1 Mal kurz blinken).

Anmerkungen zur Tabelle 4:

– In der Tabelle sind die für jede der 4 Sonderfunktionen verfügbaren Werte und die entsprechende Taste angegeben, die am Sender gedrückt werden muss, um jenen Wert einzustellen.

– Die werkseitig eingestellten Werte sind in grau angegeben.

TABELLE 4

AUTOMATISCHE SCHLIEßUNG

Keine Schließung → (auf Taste "T1" drücken)

Schließung nach 15 Sekunden → (auf Taste "T2" drücken)

Schließung nach 30 Sekunden → (auf Taste "T3" drücken)

Schließung nach 60 Sekunden → (auf Taste "T4" drücken)

BEWEGUNGSGESCHWINDIGKEIT

Langsame Öffnung / Langsame Schließung → (auf Taste "T1" drücken)

Langsame Öffnung / Schnelle Schließung → (auf Taste "T2" drücken)

Schnelle Öffnung / Langsame Schließung → (auf Taste "T3" drücken)

Schnelle Öffnung / Schnelle Schließung → (auf Taste "T4" drücken)

EMPFINDLICHKEIT HINDERNISSEN GEGENÜBER

Hoch → (auf Taste "T1" drücken)

Mittel-Hoch → (auf Taste "T2" drücken)

Mittel Niedrig → (auf Taste "T3" drücken)

Niedrig → (auf Taste "T4" drücken)

DRÜCKENTLADUNG

Keine Entladung → (auf Taste "T1" drücken).

Minimum → (auf Taste "T2" drücken).

Mittel → (auf Taste "T3" drücken).

Maximum → (auf Taste "T4" drücken).

11 – SPEICHERUNG EINES NEUEN SENDERS MIT DEM VERFAHREN IN DER NÄHE DER STEUERUNG [mit einem bereits gespeicherten Sender]

Ein NEUER Sender kann ohne direkte Betätigung der Taste "P1" der Steuerung gespeichert werden, indem man einfach in ihrer Reichweite vorgeht. Um das Verfahren durchzuführen, muss ein bereits gespeicherter und funktionierender ALTER Sender zur Verfügung stehen. Durch das Verfahren wird der NEUE Sender die Einstellungen des ALTEN erhalten.

Wichtiger Hinweis – Das Verfahren muss in der Reichweite des Empfängers ausgeführt werden (max. Entfernung vom Empfänger 10-20 m).

01. Am NEUEN Sender, mindestens **5 Sekunden** lang auf die Taste drücken, die man speichern will, dann loslassen.

02. Am ALTEN Sender, **3 Mal** langsam auf die Taste mit dem Befehl drücken, den man im anderen Sender speichern will.

03. Am NEUEN Sender, **1 Mal** auf die vorher in Punkt 01 gedrückte Taste drücken.

Anmerkung – Das Verfahren muss für jede Taste wiederholt werden, die man speichern will.

12 – LÖSCHEN DER DATEN AUS DEM SPEICHER DER STEUERUNG

Die Daten können selektiv oder ganz aus dem Speicher der Steuerung gelöscht werden. Hierzu kann man je nach Bedarf die folgenden Verfahren anwenden:

- Löschen eines Befehls in einem bereits gespeicherter Sender
- Löschen der anderen in der Steuerung gespeicherten Daten

Löschen eines Befehls in einem bereits gespeicherten Sender

Mit dem folgenden Verfahren kann ein einzelner Befehl, der einer Taste des Senders zugeordnet ist, aus dem Speicher der Steuerung gelöscht werden.

Anmerkung – Während des Verfahrens werden die rote und die grüne LED fest leuchtend eingeschaltet bleiben.

01. Länger als **10 Sekunden** auf die Taste "P1" an der Steuerung drücken (zuerst schaltet sich die grüne LED ein, dann nach 5 Sekunden die rote und abschließend beide, was bedeutet, dass sich die Steuerung im Modus "Speicher löschen" befindet. **(ACHTUNG!- die Taste "P1" nicht loslassen!)**).

02. Die Taste "P1" nicht loslassen und am Sender auf die Taste drücken, die man löschen will: falls die Steuerung diesen Vorgang erkennt, wird die grüne LED einmal kurz blinken. Danach können die Taste "P1" und die Sendertaste losgelassen werden.

Löschen der anderen in der Steuerung gespeicherten Daten

Mit dem folgenden Verfahren können verschiedene gespeicherte Daten aus dem Speicher der Steuerung gelöscht werden, wie in Tabelle 5 angegeben.

Anmerkung – Während des Verfahrens werden die rote und die grüne LED fest leuchtend eingeschaltet bleiben.

01. Länger als **10 Sekunden** auf die Taste "P1" an der Steuerung drücken (zuerst schaltet sich die grüne LED ein, dann nach 5 Sekunden die rote und abschließend beide, was bedeutet, dass sich die Steuerung im Modus "Speicher löschen") befindet. Dann die Taste loslassen.

02. In Tabelle 5 die Datengruppe auswählen, die man löschen will und sooft auf Taste "P1" drücken, wie die Zahl in Klammern ist (bei jedem Druck auf Taste "P1" wird die grüne LED einmal blinken).

03. Falls das Löschen erfolgreich war, werden beide LEDs (rot und grün) nach 5 Sekunden ab dem letzten Druck auf Taste "P1" schnell blinken (= Speicher gelöscht!).

Anmerkung – Bevor das Löschen ausgeführt wird, hat man 5 Sekunden Zeit, um seine Entscheidung rückgängig zu machen; in dieser Zeit kann man das Verfahren ohne Löschen von Daten beenden, indem 5 Mal auf Taste "P1" gedrückt wird.

WICHTIG! – Nach dem Löschen des "Speichers der der Endlaufpositionen in "Schließung" und "Öffnung" und "GANZER Speicher" muss das Verfahren 9.2 – Erlernung der Positionen "Schließung" und "Öffnung" erneut ausgeführt werden.

TABELLE 5

- Speicher der Werte der Sonderfunktionen (= **1 Druck**)
- Speicherung der Endlaufpositionen in "Öffnung" und "Schließung" (= **2-maliger Druck**)
- Speicher der Sender (= **3-maliger Druck**)
- GANZER Speicher (= **4-maliger Druck**) **Anmerkung** – löscht die drei obigen Speicher auf einmal

WAS TUN WENN... (Leitfaden zum Lösen von Problemen)

Die Steuerung hält während des ordnungsgemäßen Betriebs die Vorgänge der Automation ständig unter Kontrolle und zeigt eventuelle Störungen durch bereits bestimmte Blinksequenzen der Blinkleuchte und der roten LED "L1" an der Steuerung an (das Diagnose-Blinken bezieht sich immer auf die von der Automation ausgeführte letzte Handlung).

Die Beziehung zwischen der Anzahl an Blinkvorgängen und ihrer Ursache kann **Tabelle Nr. 6** entnommen werden:

TABELLE 6		
Blinkvorgänge	Problem	Lösung
2 Mal Blinken - Pause - 2 Mal Blinken	Während der <i>Schließung</i> blockiert sich das Tor und führt die umgekehrte Bewegung aus.	Dieses Verhalten wird durch die Auslösung eines bestimmten Photozellenpaars in der Anlage verursacht, das ein Hindernis wahrnimmt. Daher das Hindernis zwischen diesen beiden Photozellen entfernen.
3 Mal Blinken - Pause - 3 Mal Blinken	Während der <i>Öffnung</i> oder <i>Schließung</i> blockiert sich das Tor plötzlich und die Steuerung führt die <u>kurze</u> Reversierung der laufenden Bewegung aus.	Das Tor ist aufgrund eines plötzlichen Hindernisses (Windstoß, Fahrzeug, Person, usw.) einer stärkeren Reibung ausgesetzt. Siehe das Kapitel " Sonstige Einstellungen und Sonderfunktionen " für die eventuelle neue Einstellung der Empfindlichkeit gegenüber Hindernissen.
4 Mal Blinken - Pause - 4 Mal Blinken	Während der <i>Öffnung</i> oder <i>Schließung</i> blockiert sich das Tor plötzlich und die Steuerung führt ein " <i>Stopp</i> ", gefolgt von einer kurzen Reversierung der Bewegung aus.	Eventuell installierte Sicherheitsvorrichtungen (anders als die Photozellen, es kann sich z. B. um Schaltleisten handeln) haben ein plötzliches Hindernis wahrgenommen. Daher das Hindernis entfernen.
5 Mal Blinken - Pause - 5 Mal Blinken	Die Automation spricht nicht auf die gesendeten Befehle an.	Fehler in der Konfiguration des Systems. Daher das vollständige Löschen des Speichers der Steuerung und dann die Installation erneut ausführen.
6 Mal Blinken - Pause - 6 Mal Blinken	Die Automation blockiert sich nach mehreren aufeinander folgenden Bewegungen.	Die zulässige Höchstgrenze an aufeinander folgenden Bewegungen wurde überschritten. Die Folge ist eine Überhitzung. Daher ein paar Minuten warten, damit die Temperatur wieder unter die festgelegte Höchstgrenze sinkt.
7 Mal Blinken - Pause - 7 Mal Blinken	Die Automation spricht nicht auf die gesendeten Befehle an.	Defekt in den internen elektrischen Kreisen. Daher alle Versorgungskreise abtrennen, ein paar Sekunden warten und erneut anschließen. Einen Befehl erteilen. Falls die Automation nicht anspricht, hat die Steuerkarte in der Steuerung oder die Verdrahtung des Antriebs einen schweren Defekt. Daher überprüfen und ggf. austauschen.



Dem Fachtechniker vorbehalten Tätigkeiten

ACHTUNG! – Alle im vorliegenden Abschnitt enthaltene Tätigkeiten dürfen ausschließlich durch erfahrenes Fachpersonal unter Einhaltung der Anweisungen im Handbuch und der örtlich gültigen Gesetze und Sicherheitsvorschriften ausgeführt werden.

ANSCHLUSS DER AUTOMATION AM STROMNETZ

Achtung! – Bei der Durchführung dieses Anschlusses muss in der Zuleitung (zwischen Automation und Stromnetz) eine Kurzschluss-Schutzvorrichtung eingeschaltet werden.

Weiterhin muss eine Abtrennvorrichtung der Stromversorgung (mit Überspannungsklasse III bzw. Abstand zwischen den Kontakten von mindestens 3 mm) oder ein gleichwertiges System (wie z.B. Steckdose und Stecker) installiert werden.

Bei Bedarf garantiert diese Vorrichtung ein schnelles und sicheres Abtrennen der Spannungsversorgung. Sie muss daher in Sichtweite der Automation angebracht sein. Falls sie in nicht sichtbarer Stellung angebracht ist, muss sie – um Gefahren zu vermeiden – über ein System verfügen, das eine unbeabsichtigte, nicht autorisierte Einschaltung der Spannungsversorgung blockiert.

Anmerkung – Die Abtrennvorrichtung ist nicht mit dem Produkt geliefert.

ABNAHME UND INBETRIEBSETZUNG DER AUTOMATION

Um die höchste Sicherheit der Anlage zu gewährleisten, sind das die wichtigsten Phasen bei der Realisierung der Automation.

Das beschriebene Abnahmeverfahren kann auch für die periodischen Überprüfungen der Vorrichtungen benutzt werden, aus denen die Automation besteht. Die Abnahme und die Inbetriebsetzung der Automation müssen von erfahrenem Fachpersonal ausgeführt werden, das die erforderlichen Tests zur Überprüfung der je nach vorhandenem Risiko angewendeten Lösungen festzulegen und die Einhaltung des von Gesetzen, Vorschriften und Verordnungen Vorgesehenen zu überprüfen hat, insbesondere die Einhaltung aller Anforderungen der Norm EN 12445, in der die Testmethoden zur Überprüfung von Garagentoren festgelegt sind.

ABNAHME DER AUTOMATION

- 1** Überprüfen Sie, dass das in SCHRITT 1 für die Sicherheit Vorgesehene genauestens eingehalten wurde.
- 2** Verwenden Sie den Sender und testen Sie die Schließung und Öffnung des Tors; prüfen Sie, ob die Torbewegung wie vorgesehen ist. Besser mehrere Tests ausführen, um das Gleiten des Tors und eventuelle Montage- und Einstellfehler sowie das Vorhandensein besonderer Reibungen zu überprüfen.
- 3** Den korrekten Betrieb aller Sicherheitsvorrichtungen der Anlage einzeln überprüfen (Photozellen, Schaltleisten usw.). **Photozellen:** Lösen Sie die Vorrichtung während einer Schließung aus und überprüfen Sie, ob die Steuerung die Bewegung stoppt und eine vollständige Reversierung verursacht (die zusätzliche Beleuchtung blinkt zwei Mal und wiederholt dann dieses Blinken ein zweites Mal). **Schaltleisten:** Lösen Sie die Vorrichtung während einer Öffnung oder Schließung aus und überprüfen Sie, ob die Steuerung die Bewegung stoppt und eine kurze Reversierung verursacht (die zusätzliche Beleuchtung blinkt vier Mal und wiederholt dann dieses Blinken ein zweites Mal).
- 4** Überprüfen Sie, dass keine Interferenzen zwischen den Photozellen und anderen Vorrichtungen bestehen, indem Sie die optische Achse zwischen den Photozellenpaaren mit einem Zylinder (Durchmesser 5 cm, Länge 30 cm) unterbrechen (**Abb. 45:** Führen Sie den Zylinder zuerst in der Nähe der Photozelle TX durch, dann in der Nähe von RX und abschließend in der Mitte zwischen den beiden Photozellen. Stellen Sie dann sicher, dass die Vorrichtung in allen Fällen auslöst und vom aktiven Zustand auf den Alarmzustand übergeht und umgekehrt; prüfen Sie dann, dass in der Steuerung die vorgesehene Handlung verursacht wird (zum Beispiel die Reversierung während der Bewegung während der *Schließung*).
- 5** Führen Sie die Messung der Aufprallkraft nach den Verordnungen der Vorschrift EN 12445 aus. Falls die die Kontrolle der Motorkraft als Hilfsmittel für das System zur Aufprallkraftreduzierung benutzt wird, testen Sie die Einstellungen und bestimmen Sie, mit welcher Einstellung die besten Ergebnisse erzielt werden.

- 6 Geben Sie einen *Schließbefehl* und überprüfen Sie die Aufprallkraft des Tors gegen der Fläche des Fußbodens. Versuchen Sie ggf., den Druck zu entladen, um die optimale Einstellung zu erzielen.

INBETRIEBSETZUNG DER AUTOMATION

Die Inbetriebsetzung darf erst erfolgen, nachdem alle Abnahmephasen erfolgreich beendet sind. Eine teilweise oder vorübergehende Inbetriebsetzung ist unzulässig.

- 1 Realisieren Sie die technischen Unterlagen der Automation. Sie müssen mindestens umfassen: eine Gesamtzeichnung (siehe das Beispiel in **Abb. 6, 7, 8**), den Schaltplan mit den durchgeführten Anschlüssen (siehe die Beispiele in **SCHRITT 6**), die Analyse der vorhandenen Risiken und die entsprechenden angewendeten Lösungen (siehe die auszufüllenden Formulare im Internet unter **www.niceforyou.com**), die Konformitätserklärung des Herstellers für alle benutzten Vorrichtungen und die vom Installateur ausgefüllte Konformitätserklärung (siehe im Abschnitt "TECHNISCHE DOKUMENTATION").
- 2 Bringen Sie am Tor ein Schild mit mindestens folgenden Daten an: Automationsstyp, Name und Adresse des Herstellers (Verantwortlicher der "Inbetriebsetzung"), Seriennummer, Baujahr und CE-Markierung.
- 3 Füllen Sie die Konformitätserklärung aus und übergeben Sie diese dem Inhaber der Automation; hierzu muss das Formular "**CE-Konformitätserklärung**" im Abschnitt "TECHNISCHE DOKUMENTATION" ausgefüllt werden.
- 4 Füllen Sie das Formular "**Bedienungshandbuch**" im Abschnitt "TECHNISCHE DOKUMENTATION" aus und übergeben Sie es dem Inhaber der Automation.
- 5 Füllen Sie das Formular "**Wartungsprogramm**" im Abschnitt "TECHNISCHE DOKUMENTATION" aus und übergeben Sie es dem Inhaber der Automation. Es muss die Wartungsvorschriften aller Vorrichtungen der Automation enthalten.
- 6 Informieren Sie den Inhaber vor der Inbetriebsetzung der Automation über die noch vorhandenen Gefahren und Risiken.
- 7 Befestigen Sie bleibend ein Etikett oder Schild am Tor mit einer Abbildung wie in **Abb. 46** (Mindesthöhe 60 mm) mit der Schrift "ACHTUNG - QUETSCHGEFAHR".

PERIODISCHE WARTUNGSEINGRIFFE

Das vorliegende Produkt bedarf gewöhnlich keiner besonderen Wartung. Eine zeitlich regelmäßige Kontrolle wird die Anlage effizient halten und den ordnungsgemäßen Betrieb der installierten Sicherheitssysteme gewährleisten. Um die Wartung korrekt auszuführen, beziehen Sie sich daher bitte auf das Kapitel "**Wartungsprogramm**" im Abschnitt "TECHNISCHE DOKUMENTATION" am Ende des Handbuchs.

ENTSORGUNG DES PRODUKTES

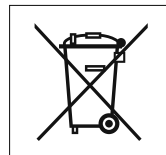
Das vorliegende Produkt ist Bestandteil der Automation und muss daher zusammen mit ihr entsorgt werden.

Wie die Installationsarbeiten muss auch die Abrüstung am Ende der Lebensdauer dieses Produktes von Fachpersonal ausgeführt werden. Dieses Produkt besteht aus verschiedenen Stoffen, von denen einige recycled werden können, andere müssen dagegen entsorgt werden. Informieren Sie sich über die Recycling- oder Entsorgungssysteme, die für diese Produktkategorie von den örtlich gültigen Vorschriften vorgesehen sind.

Achtung! – Bestimmte Teile des Produktes können Schadstoffe oder gefährliche Substanzen enthalten, die, falls in die Umwelt gegeben, schädliche Wirkungen auf die Umwelt und die menschliche Gesundheit haben könnten.

Wie durch das Symbol seitlich angegeben, darf dieses Produkt nicht in den Hausmüll gegeben werden. Daher differenziert nach den Methoden entsorgen, die von den auf Ihrem Gebiet gültigen Verordnungen vorgesehen sind, oder das Produkt dem Verkäufer beim Kauf eines neuen, gleichwertigen Produktes zurückgeben.

Achtung! – die örtlichen Verordnungen können schwere Strafen im Fall einer widerrechtlichen Entsorgung dieses Produktes vorsehen.



DE

CE-KONFORMITÄTSERKLÄRUNG

Erklärung in Übereinstimmung mit den Richtlinien: 1999/5/EG (R&TTE), 2004/108/EG (EMV); 2006/42/EG (MD) Anlage II, Teil B

Anmerkung - Der Inhalt dieser Erklärung entspricht den Angaben im offiziellen Dokument, das im Sitz der Nice S.p.A. hinterlegt ist und der letzten verfügbaren Revision vor dem Druck dieser Anleitung. Dieser Text wurde aus redaktionellen Gründen angepasst. Die Kopie der Original-Erklärung kann bei der Firma Nice S.p.A. (TV) angefordert werden I.

Nummer: 290/SHEL	Revision: 2	Sprache: DE
Name des Herstellers:	NICE s.p.a.	
Adresse:	Via Pezza Alta 13, 31046 Rustignè di Oderzo (TV) Italy	
Bevollmächtigte Person zum Zusammenstellen der technischen Unterlagen:	Herr Oscar Marchetto.	
Typ:	Elektromechanischer Getriebemotor und entsprechendes Zubehör	
Modelle:	SHEL50, SHEL75	
Zubehör:	Funksteuerungen der Baureihe FLO, FLOR, Smilo	

Der Unterzeichnende, Luigi Paro, in seiner Funktion als Geschäftsführer, erklärt auf eigene Verantwortung, dass die oben genannten Produkte den Bestimmungen entsprechen, die in folgenden Richtlinien enthalten sind:

- Richtlinie 1999/5/EG DES EUROPÄISCHEN PARLAMENTS UND DES RATES VOM 9. März 1999 über Funkanlagen und Telekommunikationsendgeräte und die gegenseitige Anerkennung ihrer Konformität, gemäß den folgenden harmonisierten Normen:
 - Gesundheitsschutz (Art. 3 (1) (a)): EN 50371:2002
 - Elektrische Sicherheit (Art. 3 (1) (a)): EN 60950-1:2006
 - Elektromagnetische Verträglichkeit (Art. 3 (1) (b)): EN 301 489-1 V1.8.1:2008, EN 301 489-3 V1.4.1:2002
 - Funkspektrum (Art. 3 (2)): EN 300.220-2-103:2007
- RICHTLINIE 2004/108/EG DES EUROPÄISCHEN PARLAMENTS UND DES RATES vom 15. Dezember 2004 zur Angleichung der Rechtsvorschriften der Mitgliedsstaaten über die elektromagnetische Verträglichkeit und zur Aufhebung der Richtlinie 89/336/EWG, gemäß den folgenden harmonisierten Normen:
 - EN 61000-6-2:2005, EN 61000-6-3:2007

Außerdem entspricht das Produkt folgender Richtlinie, entsprechend der vorgesehenen Anforderungen für die „unvollständigen Maschinen“:

- Richtlinie 2006/42/EG DES EUROPÄISCHEN PARLAMENTS UND DES RATES vom 17. Mai 2006 über Maschinen und zur Änderung der Richtlinie 95/16/EG (Neufassung)
 - Hiermit wird erklärt, dass die entsprechenden technischen Unterlagen in Übereinstimmung mit Anlage VII B der Richtlinie 2006/42/CE ausgefüllt wurden und folgende essenzielle Anforderungen eingehalten wurden: 1.1- 1.1.2- 1.1.3- 1.2.1-1.2.6- 1.5.1-1.5.2- 1.5.5- 1.5.6- 1.5.7- 1.5.8- 1.5.10- 1.5.11
 - Der Hersteller verpflichtet sich, die Informationen über die "unvollständige Maschine" auf Nachfrage an die nationalen Behörden weiterzuleiten, wobei die eignen Rechte des geistigen Eigentums beibehalten werden.
 - Wenn die "unvollständige Maschine" in einem europäischen Land in Betrieb genommen wird, deren offizielle Sprache nicht die in dieser Erklärung entspricht, hat der Importeur die Pflicht, die entsprechende Übersetzung dieser Erklärung beizulegen.
 - Wir weisen darauf hin, dass die "fast Maschine" nicht in Betrieb genommen werden darf, bis die Endmaschine, in der sie eingebaut wird, für konform erklärt wurde, entsprechend, wenn der Fall, den Vorschriften der Richtlinie 2006/42/CE.

Außerdem entspricht das Produkt folgenden Normen: EN 60335-1:2002 + A1:2004 + A11:2004 + A12:2006 + A2:2006 + A13:2008; EN 60335-2-103:2003

Das Produkt entspricht, auf die anwendbaren Teile begrenzt, folgenden Normen: EN 13241-1:2003, EN 12445:2002, EN 12453:2002, EN 12978:2003

Oderzo, 23. Mai 2011

Ing. Luigi Paro (Geschäftsführer)

TECHNISCHE MERKMALE DER VERSCHIEDENEN KOMPONENTEN DES PRODUKTES

HINWEISE:

- SHELKIT50 - SHELKIT75 ist ein Produkt der NICE S.p.a. (TV) I.
- Alle angegebenen technischen Merkmale beziehen sich auf eine Temperatur von 20°C (± 5°C).
- Nice S.p.a. behält sich das Recht vor, jederzeit als nötig betrachtete Änderungen am Produkt vorzunehmen, wobei Funktionalitäten und Einsatzzweck beibehalten werden.

TORANTRIEB:	SHELKIT50	SHELKIT75
Angewendete Technologie	24 V Motor	
Versorgung	230 Vac 50/60 Hz	
Max. Anlaufdrehmoment	9 Nm	12 Nm
Nenndrehmoment	6 Nm	7,5 Nm
Höchstschub	500 N	750 N
Nennschub	350 N	450 N
Max. Leistung	200 W	280 W
Bewegungsgeschwindigkeit	0.07 ÷ 0.13 m/s	0.08 ÷ 0.14 m/s
Maximale Dauerbetriebszeit	4 Minuten	
Zahl Zyklen/Stunde bei Nenndrehmoment (20°)	8	
Betriebstemperatur	-20° C ÷ +50° C	
Abmessungen	305 x 109 h x 130 (mm)	
Peso	4 kg	
Isolationsklasse	1	
Zusätzliche Beleuchtung	12 V / 10 W Fassung BA15	
Eingang STOPP	Für gewöhnlich geschlossene und gewöhnlich geöffnete Kontakte oder mit konstantem 8,2 KΩ Widerstand in Selbsterlernung (eine Variation im Vergleich zum gespeicherten Status verursacht den Steuerbefehl "STOPP").	
Eingang SCHRITTBETRIEB	Für gewöhnlich geöffnete Kontakte	
Eingang FOTO	Für Sicherheitsvorrichtungen mit gewöhnlich geschlossenem Kontakt	
Funkempfänger	Eingebaut	
Programmierbare Funktionen	4 programmierbare Funktionen (siehe Par. 6.3) Selbsterlernung der Stopp-Vorrichtung (NO-Kontakt, NC-Kontakt oder konstanter 8,2KΩ Widerstand)	
Funktionen in Selbsterlernung	Selbsterlernung der Positionen Öffnung und Schließung des Tors und Berechnung der Stellen, an denen die Verlangsamung und die Teilöffnung erfolgen.	
Benutzung in säure- und salzhaltiger oder potentiell explosiver Atmosphäre	Nein	
Schutzart	IP 40 Benutzung nur in Innenräumen oder geschützter Umgebung	
Geschätzte Lebensdauer (*)	40.000 bis 80.000 Bewegungszyklen	

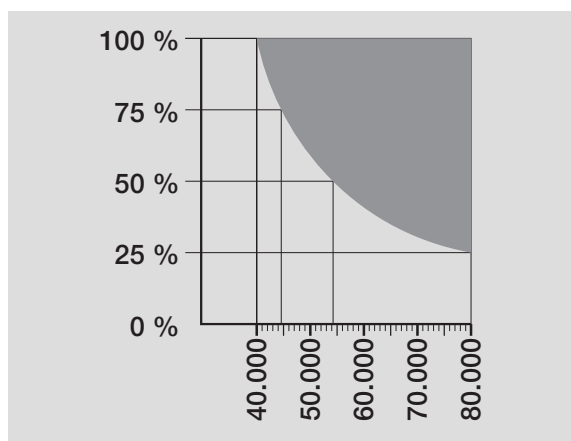
(*) **Anmerkung** – Die geschätzte Dauer des Produktes liegt zwischen 40.000 und 80.000 Bewegungszyklen. Gehen Sie wie folgend vor, um die wahrscheinliche Dauer Ihrer Automation zu bestimmen:

a) – bewerten Sie die Einsatzbedingungen und die mitspielenden Kräfte in Ihrer Anlage, wie zum Beispiel:

- das Gewicht und die Länge der Garagentor;
- das einwandfreie Gleichgewicht der Garagentor;
- den Zustand der Torzapfen;
- den Tortyp: geschlossen oder mit zahlreichen Öffnungen;
- Vorhandensein von starkem Wind;
- Betriebshäufigkeit der Automation.

b) – ermitteln Sie aus diesen Bewertungen einen Wert in Prozenten, der den Abnutzungsgrad (mehr oder weniger) der Automation bestimmen wird.

c) – finden Sie im Schaubild seitlich den geschätzten Prozentsatz (in Punkt "b") und lesen Sie dann daneben die Anzahl an Bewegungszyklen.



SENDER FLO4R-S

BESCHREIBUNG	DATEN
Typ	Sender mit 4 Kanälen für Funksteuerung
Frequenz	433.92 MHz
Codierung	Digitaler Rolling Code mit 52 Bit, Typ FLOR
Tasten	4
Abgestrahlte Leistung	100 µW
Versorgung	12 Vdc mit Batterie Typ 23A
Dauer der Batterien	1 Jahr, geschätzt auf der Basis von 20 Befehlen/Tag mit einer Dauer von 1 Sekunde bei 20° C (bei niedrigen Temperaturen verringert sich die Effizienz der Batterien)
Betriebstemperatur	-40°C ÷ 85°C
Schutzart	IP 40 Benutzung nur in Innenräumen oder geschützter Umgebung
Abmessungen	72 x 40h x 18 mm
Gewicht	30 g

**OGÓLNE ZALECENIA I OSTRZEŻENIA DOTYCZĄCE
BEZPIECZEŃSTWA****KROK 1**

- Pracując zachowaj zasady bezpieczeństwa 2
- Ostrzeżenia dotyczące montażu 2

ZNAJOMOŚĆ PRODUKTU I PRZYGOTOWANIE DO MONTAŻU**KROK 2**

- 2.1 - Opis i przeznaczenie produktu 2
- 2.2 - Części potrzebne do wykonania kompletnej instalacji 3

KROK 3

- Kontrola wstępna przed montażem 3**
- 3.1 - Sprawdzenie warunków otoczenia i bramy, która ma zostać zautomatyzowana 3
- 3.2 - Sprawdzenie ograniczeń eksploatacyjnych 3

KROK 4

- 4.1 - Wstępne prace przygotowawcze 3
- 4.1.1 - Typowa instalacja 3
- 4.1.2 - Określenie miejsca montażu poszczególnych części 3
- 4.1.3 - Wybór schematu podłączenia urządzeń 3
- 4.1.4 - Kontrola narzędzi potrzebnych do wykonania pracy 3
- 4.1.5 - Prace przygotowawcze 3
- 4.2 - Ułożenie przewodów elektrycznych 3

**INSTALACJA: MONTAŻ I PODŁĄCZENIE POSZCZEGÓLNYCH
ELEMENTÓW****KROK 5**

- 5.1 - Montaż elementów automatyki 4
- 5.2 - Mocowanie automatyki do ściany, sufitu i bramy 4

KROK 6

- Montaż i podłączenia elektryczne do centrali urządzeń składających się na instalację 5

PODŁĄCZENIE ZASILANIA

- KROK 7 5**

**PIERWSZE PODŁĄCZENIE I KONTROLA POŁĄCZEŃ
ELEKTRYCZNYCH**

- KROK 8 5**

PROGRAMOWANIE AUTOMATYKI**KROK 9**

- 9.1 - Wczytywanie nadajnika mod. FLO4R-S 6
- 9.2 - Wczytywanie pozycji końcowych "Otwarcia" i "Zamknięcia" bramy . . . 6

REGULACJE I POZOSTAŁE FUNKCJE OPCJONALNE

- 10 - Regulacja pracy automatyki 6
- 11 - Wczytywanie nowego nadajnika przy użyciu procedury 'w pobliżu' Centrali 7
- 12 - Kasowanie danych z pamięci Centrali 7

- CO ROBIĆ GDY... (pomoc w rozwiązywaniu problemów) 8**

**CZYNNOŚCI ZASTRZEŻONE DLA WYKWALIFIKOWANEGO
TECHNIKA**

- Podłączenie automatyki do sieci elektrycznej 8
- Odbiór techniczny i przekazanie automatyki do eksploatacji 8
- Utylizacja produktu 9
- Deklaracja zgodności CE 9

**DANE TECHNICZNE POSZCZEGÓLNYCH CZĘŚCI
PRODUKTU 10**

- INSTRUKCJA OBSŁUGI VI**

- ZDJĘCIA VIII - XIV**

OGÓLNE ZALECENIA I OSTRZEŻENIA DOTYCZĄCE BEZPIECZEŃSTWA

KROK 1

PRACUJĄC ZACHOWAJ ZASADY BEZPIECZEŃSTWA!

⚠ Uwaga – Dla bezpieczeństwa osób ważne jest przestrzeganie poniższych zaleceń.

⚠ Uwaga – Zalecenia ważne dla bezpieczeństwa: należy więc przechowywać tę instrukcję.

Projekt i produkcja urządzeń składających się na produkt, a także informacje zawarte w niniejszej instrukcji są w pełni zgodne z obowiązującymi normami bezpieczeństwa. Pomimo to nieprawidłowy montaż i programowanie mogą doprowadzić do ciężkich urazów osób wykonujących daną pracę lub użytkowników instalacji. W związku z tym, podczas montażu, należy postępować ściśle według zaleceń zawartych w niniejszej instrukcji.

W przypadku jakichkolwiek wątpliwości, nie przystępuj do instalacji, ale zwróć się o ewentualne wyjaśnienia do Serwisu Technicznego Nice.

Jeśli po raz pierwszy przystępujesz do realizacji automatyki do bram garażowych ("segmentowych" lub "uchylnych"), zalecamy uważne zapoznanie się z niniejszą instrukcją. Najlepiej zrobić to przed rozpoczęciem pracy, nie spiesząc się z przystąpieniem do części praktycznej.

Ponadto zaleca się zgromadzenie w zasięgu ręki wszystkich urządzeń, które składają się na produkt, aby podczas lektury można było sprawdzać i weryfikować wszystkie informacje zawarte w niniejszej instrukcji (za wyjątkiem etapów programowania).

Podczas lektury niniejszej instrukcji, należy zwrócić szczególną uwagę na zalecenia oznaczone symbolem:



Symbolem tym oznaczono miejsca, które mogą stanowić źródło potencjalnego zagrożenia, a co za tym idzie związane z nimi czynności **mogą być wykonane wyłącznie przez wykwalifikowany i doświadczony personel**, przy poszanowaniu niniejszych zaleceń oraz lokalnych norm bezpieczeństwa.

⚠ OSTRZEŻENIA DOTYCZĄCE MONTAŻU

Zgodnie z najnowszym ustawodawstwem europejskim, bramy garażowe automatyczne muszą być wykonane zgodnie z zasadami, o których mowa w **Dyrektywie 98/37/CE (Dyrektywie Maszynowej)** a w szczególności w normach: EN 12445; EN 12453; EN 12635 i EN 13241-1, co pozwala na wydanie oświadczenia o domniemaniu zgodności.

Biorąc powyższe pod uwagę, ostateczne podłączenie automatyki do sieci elektrycznej, odbiór techniczny instalacji oraz jej przekazanie do eksploatacji i okresowa konserwacja **muszą być wykonane przez doświadczonego i wykwalifikowanego technika**, w poszanowaniu zaleceń, o których mowa w części "**Czynności zastrzeżone dla wykwalifikowanego technika**". Ponadto musi on także wziąć na siebie odpowiedzialność za przeprowadzenie wymaganych testów związanych z istniejącym ryzykiem i sprawdzić czy spełnione zostały wymagania zawarte w przepisach, normach i regulaminach, a w szczególności wszystkie wymagania normy EN 12445, ustalającej metody badań służące do kontroli automatyki do bram garażowych.

Natomiast prace związane ze wstępnym przygotowaniem, montażem i programowaniem mogą być wykonane również przez personel bez specjalnych kwalifikacji, pod warunkiem ścisłego przestrzegania wszystkich zaleceń zawartych w niniejszej instrukcji - wraz z kolejnością ich wykonywania - a w szczególności uwag opisanych.

Przed rozpoczęciem montażu przeprowadź następujące kontrole:

– upewnij się czy poszczególne urządzenia przeznaczone do automatyzacji nadają się do instalacji, która ma zostać zrealizowana. Sprawdź ze szczególną uwagą dane zawarte w punkcie "**Dane techniczne**". Nie przystępuj do montażu, jeśli choć jedno z urządzeń nie nadaje się do użycia.

– upewnij się czy urządzenia, tworzące zestaw wystarczą do zagwarantowania bezpieczeństwa instalacji oraz jej funkcjonalności.

Biorąc pod uwagę ryzyko, które może wystąpić na różnych etapach montażu i użytkowania produktu, podczas montażu należy pamiętać o następujących ostrzeżeniach:

– nie wprowadzaj zmian w żadnej z części automatyki, o ile nie są to zmiany przewidziane w niniejszej instrukcji. Takie działanie mogłoby tylko przyczynić się do nieprawidłowej pracy instalacji. Producent nie bierze na siebie żadnej odpowiedzialności za uszkodzenia powstałe w wyniku użytkowania produktów zmodyfikowanych na własną rękę.

– unikaj zetknięcia elementów automatyki z wodą lub innymi płynami. W czasie montażu nie wolno pozwolić by jakiegokolwiek substancje płynne przedostały się do wnętrza siłownika oraz urządzeń, składających się na produkt.

– jeśli substancje płynne dostaną się do wnętrza elementów automatyki, należy natychmiast odłączyć zasilanie elektryczne i skontaktować się z Serwisem Technicznym Nice. Korzystanie z automatyki w takich warunkach mogłoby doprowadzić do niebezpiecznych sytuacji.

– nie kładź części automatyki blisko źródeł ciepła i płomieni. Mogłoby to doprowadzić do zniszczenia produktu, spowodować jego nieprawidłowe działanie, wywołać pożar lub doprowadzić do innych groźnych sytuacji.

– wszystkie czynności, które wymagają otwarcia osłony poszczególnych komponentów automatyki, można wykonywać dopiero po odłączeniu Centrali od zasilania elektrycznego. Jeśli urządzenie odłączające zasilanie nie znajduje się w zasięgu wzroku, przywieś na nim karteczkę z następującym napisem "UWAGA! KONSERWACJA W TOKU".

– klawiatura sterująca, przeznaczona do montażu naściennego, musi być zamontowana w pobliżu automatu, z dala od części znajdujących się w ruchu, na wysokości co najmniej 1,5 m od podłoża i w miejscu niedostępnym dla osób nieupoważnionych.

– sprawdzić, czy nie występują zagrożenia zgniecenia podczas manewru *Zamykania*; ewentualnie zainstalować dodatkowe urządzenia zabezpieczające.

– jeżeli przeznaczona do zautomatyzowania brama jest wyposażona w drzwi dla pieszych, należy przewidzieć system zabezpieczający przed uruchomieniem siłownika, kiedy drzwi dla pieszych są otwarte.

– przewidzieć wbudowanie na linii elektrycznej zasilającej automat, urządzenia rozłączającego zasilanie i gwarantującego odległość pomiędzy stykami, umożliwiającą całkowite rozłączenie w warunkach III kategorii przepięcia.

– jeżeli przewód zasilania jest uszkodzony musi on zostać wymieniony przez Nice, przez autoryzowany serwis techniczny lub co najmniej przez osobę posiadającą podobne kwalifikacje, w sposób zapobiegający wszelkim zagrożeniom.

– urządzenie nie jest przeznaczone do używania przez osoby, (włącznie z dziećmi) o zredukowanych zdolnościach fizycznych, czuciowych i umysłowych lub te, które nie posiadają doświadczenia lub znajomości urządzenia, chyba, że mogły one skorzystać, poprzez obecność osoby odpowiedzialnej za ich bezpieczeństwo, z nadzoru lub instrukcji dotyczących obsługi urządzenia.

– produkt nie może być uznawany za skuteczny system antywłamaniowy. Jeśli zachodzi potrzeba zabezpieczenia przed włamaniem, należy dołączyć do automatyki dodatkowe urządzenia.

– Centrala musi być podłączona do linii zasilania elektrycznego z uziemieniem.

– produkt może być użytkowany dopiero po wykonaniu "oddania automatyki do eksploatacji", zgodnie z zasadami przewidzianymi w punkcie "**Odbiór techniczny i oddanie automatyki do eksploatacji**", który znajdziesz w części "Czynności zastrzeżone dla wykwalifikowanego technika".

– Opakowania wszystkich części automatyki muszą być zutilizowane zgodnie z lokalnymi przepisami.

ZNAJOMOŚĆ PRODUKTU I PRZYGOTOWANIE DO MONTAŻU

KROK 2

2.1 – OPIS I PRZEZNACZENIE PRODUKTU

Niniejszy produkt, złożony z kilku urządzeń, jest przeznaczony do automatyzacji bram garażowych do użytku mieszkalnego (**rys.1**). Mogą być to bramy "segmentowe" lub "uchylne". Bramy uchylne dzielą się na bramy uchylne wystające (podczas otwarcia, brama wystaje poza obrys) lub bramy uchylne niewystające. Bramy mogą być wyposażone w sprężynę lub przeciwwagę.

Zestaw służy wyłącznie do automatyzacji bram "segmentowych". W związku z tym, by móc zautomatyzować bramę "uchylną" należy zamontować specjalne ramię wychylne (mod. SPA5, element nie znajdujący się w zestawie).

Jakiegokolwiek zastosowanie inne od opisanego w niniejszym punkcie oraz użycie w warunkach otoczenia innych od tych wskazanych w KROKU 3, jest niewłaściwe i zabronione!

Niniejszy produkt składa się z siłownika elektromechanicznego z silnikiem prądu stałego o napięciu 24V, prowadnicy, łańcucha i wózka. Siłownik posiada także Centralę sterującą.

Centrala składa się z płyty elektronicznej, światełka nocnego/lampy ostrzegawczej i wbudowanego odbiornika radiowego wraz z anteną, który odbiera polecenia wysyłane z nadajnika.

Centrala może sterować różnymi manewrami, z których każdy może być zaprogramowany i użytkowany wedle indywidualnych potrzeb.

Ponadto istnieją też różne funkcje specjalne, które pozwalają na personalizację parametrów automatyki.

Automatyka jest przystosowana do podłączenia różnych akcesoriów, które zwiększają jej funkcjonalność i zapewniają bezpieczeństwo. Do Centrali można wczytać między innymi do 150 przycisków nadajników FLO4R-S i do 4 par fotokomórek MOF/MOFO.

Produkt wykorzystuje zasilanie elektryczne z sieci. W przypadku zaniku energii elektrycznej (black-out), "ręczne" przesunięcie bramy jest możliwe po uprzednim wysprężeniu wózka, przy użyciu specjalnej linki.

2.2 – CZĘŚCI POTRZEBNE DO WYKONANIA KOMPLETNEJ INSTALACJI

Na rys. 2 pokazano wszystkie części potrzebne do wykonania kompletnej instalacji, takiej jak na rys. 8.

OSTRZEŻENIE!

Niektóre części przedstawione na rys. 2 są opcjonalne i mogą nie znajdować się w opakowaniu.

Wykaz potrzebnych części:

- [a] - siłownik elektromechaniczny
- [b] - szyna prowadząca wózka
- [c] - uchwyty mocujące siłownik do sufitu
- [d] - uchwyt mocujący szynę prowadzącą do ściany
- [e] - ogranicznik mechaniczny zatrzymujący wózek w położeniu końcowym
- [f] - koło łańcucha
- [g] - łańcuch
- [h] - drążek bramy (tylko w przypadku bram segmentowych)
- [i] - wózek
- [l] - linka i gałka do ręcznego wysprzęglania automatyki
- [m] - uchwyt mocujący drążek do bramy
- [n] - ramię wychylne z drążkiem
(mod. SPA5, tylko w przypadku bram uchylnych)
- [o] - para fotokomórek mod. MOF/MOFO (na ścianę)
- [p] - nadajnik przenośny mod. FLO4R-S
- [q] - radiowa klawiatura sterująca, mod. MOTXR (montaż naścienny)
- [r] - drobne części metalowe (śruby, podkładki, itd.)*

(* **Uwaga** – Śruby potrzebne do zamocowania elementów na ścianie nie wchodzi w skład zestawu. Ich rodzaj zależy od grubości ściany przeznaczonej pod montaż oraz materiału, z jakiego jest wykonana.

KROK 3

KONTROLA WSTĘPNA PRZED MONTAŻEM

Przed przystąpieniem do montażu, upewnij się czy części produktu są nienaruszone, czy wybrano odpowiedni model oraz czy produkt nadaje się do montażu w danym otoczeniu.

WAŻNE – siłownik może być użyty wyłącznie do automatyzacji bramy, która działa w sposób skuteczny i bezpieczny. Nie może on także służyć do rozwiązywania problemów wywołanych wadliwym montażem lub złą konserwacją bramy.

3.1 – SPRAWDZENIE WARUNKÓW OTOCZENIA I BRAMY, KTÓRA MA ZOSTAĆ ZAUTOMATYZOWANA

- W przypadku automatyzacji bram uchylnych wystających, upewnij się czy ruch bramy nie tarasuje ruchu na drodze lub chodniku publicznym.
- Upewnij się czy mechaniczna konstrukcja bramy nadaje się do automatyzacji i odpowiada lokalnym normom.
- Sprawdź czy mechaniczna konstrukcja bramy jest wystarczająco solidna i upewnij się czy nie istnieje ryzyko wypadnięcia bramy z prowadnic.
- Ustaw bramę ręcznie w pozycji *Otwarcia* i *Zamknięcia*, upewniając się czy podczas całego ruchu tarcie jest równe i jednolite w każdym punkcie (*nie mogą występować miejsca, w których trzeba użyć większej siły*).
- Upewnij się czy brama jest dobrze wyważona - brama ustawiona (ręcznie) w jednej pozycji nie może się ruszyć.
- Upewnij się czy miejsce wokół **automatyki** pozwoli na ręczne wysprzęglanie bramy w sposób łatwy i bezpieczny.
- Upewnij się czy powierzchnie wybrane do montażu poszczególnych urządzeń są trwale i zapewniają stabilne mocowanie.
- Upewnij się czy miejsca, w których zostaną zamontowane poszczególne urządzenia są bezpieczne i zapewniają ochronę przed przypadkowymi uderzeniami.
- Upewnij się czy powierzchnie wybrane do mocowania fotokomórek są płaskie i pozwalają na dobre osiowanie fotokomórek.

3.2 – SPRAWDZENIE OGRANICZEŃ EKSPLOATACYJNYCH

Aby ustalić czy produkt nadaje się do automatyzacji danej bramy i odpowiada konkretnej sytuacji, przeprowadź opisane poniżej kontrole i sprawdź zgodność uzyskanych wartości z parametrami podanymi w tym rozdziale oraz z danymi technicznymi zawartymi w rozdziale **“Dane techniczne produktu”**.

- Upewnij się czy wymiary i ciężar bramy odpowiadają następującym ograniczeniom eksploatacyjnym. **Pamiętaj** – Kształt bramy oraz warunki klimatyczne (na przykład silny wiatr) mogą spowodować obniżenie wskazanych powyżej maksymalnych wartości. W takich przypadkach ważne jest, aby siła potrzebna do ruchu bramy została zmierzona w najgorszych możliwych warunkach. Użyty w ten sposób wynik należy następnie zestawić z wartościami podanymi w danych technicznych siłownika:

	SHEL50KIT	SHEL75KIT
Bramy segmentowe	350 x 240 cm	400 x 240 cm
Bramy uchylnie wystające	350 x 280 cm	400 x 280 cm
Bramy uchylnie niewystające	350 x 220 cm	400 x 220 cm

- Upewnij się czy miejsce przewidziane do montażu siłownika i szyny prowadzącej odpowiada wymiarom automatyki. W związku z tym sprawdź czy są zachowane minimalne i maksymalne parametry wskazane na rys. 3, 4 i 5.

Uwaga! – Jeśli wynik kontroli jest niezgodny z zaleceniami, niniejszy model siłownika nie może zostać wykorzystany do automatyzacji danej bramy.

PKROK 4

4.1 – WSTĘPNE PRACE PRZYGOTOWAWCZE

4.1.1 – Typowa instalacja

Na rys. 6, 7, 8 pokazano przykładową instalację automatyki wykonaną przy użyciu elementów kompatybilnych z niniejszym produktem. Elementy te zostały rozmieszczone i złożone przy wykorzystaniu klasycznego schematu. Użyto następujących części:

- a - Siłownik elektromechaniczny
- b - Szyna prowadząca wózka
- c - Wózek
- d - Ogranicznik mechaniczny zatrzymujący wózek w położeniu końcowym
- e - Gałka ręcznego wysprzęglania wózka
- f - Uchwyt łączący wózek z bramą
- g - Dwie fotokomórki (do montażu naściennego) mod. MOF/MOFO
- h - Radiowa klawiatura sterująca (do montażu naściennego) mod. MOTXR
- i - Pilot mod. FLO4R-S
- l - Przycisk

4.1.2 – Określenie miejsca montażu poszczególnych części

Korzystając z rys. 6, 7, 8, ustal przybliżone miejsce montażu każdej części przewidzianej w instalacji.

4.1.3 – Wybór schematu podłączenia urządzeń

Uwzględniając rys. 10 oraz KROK 6 ustal schemat, przy użyciu którego połączysz wszystkie urządzenia przewidziane w instalacji.

4.1.4 – Kontrola narzędzi potrzebnych do wykonania pracy

Przed rozpoczęciem montażu, upewnij się czy masz wszystkie urządzenia i materiały potrzebne do wykonania pracy (przykład na rys. 9). Ponadto upewnij się czy jest to materiał w dobrym stanie i zgodny z lokalnymi normami w materii bezpieczeństwa.

4.1.5 – Prace przygotowawcze

Wykonaj prace przygotowawcze związane z przygotowaniem bruzd pod osłony przewodów elektrycznych lub położeniem zewnętrznych korytek, następnie przymocuj powyższe osłonki do betonu i wykonaj inne prace wstępne, niezbędne do przygotowania wybranego miejsca montażu.

UWAGA! – Zaplanuj rozmieszczenie krańców osłon, w których będą biegną przewody elektryczne, tak by wypadły w pobliżu miejsc montażu poszczególnych elementów.

Pamiętaj:

- Osłony mają za zadanie chronić przewody elektryczne i zapobiegać ich przypadkowemu przerwaniu, na przykład w wyniku uderzenia.
- “Stałe” urządzenia sterujące mogą być umieszczone w pobliżu bramy, ale z dala od jej części ruchomych i na wysokości ponad 150 cm

4.2 – UŁOŻENIE PRZEWODÓW ELEKTRYCZNYCH

Cała instalacja - za wyjątkiem przewodu i wtyczki zasilania - jest instalacją niskiego napięcia (około 24V), w związku z tym przewody elektryczne mogą być położone również przez personel bez specjalnych kwalifikacji technicznych, pod warunkiem skrupulatnego przestrzegania wszystkich zaleceń opisanych w niniejszej instrukcji.

Ułożenie przewodów elektrycznych przedstawiono na rys. 10, na którym zilustrowano rodzaj przewodów do wykorzystania przy poszczególnych podłączeniach.

OSTRZEŻENIA

– Na etapie układania przewodów elektrycznych **NIE wykonuj żadnego podłączenia elektrycznego.**

– Wykwalifikowany elektryk powinien także zamontować gniazdko “schuko” 16 A. Gniazdko to - zabezpieczone w odpowiedni sposób i przeznaczone do wtyczki siłownika - powinno być umieszczone tak, aby po podłączeniu przewodu zasilania, przewód ten nie wisiał swobodnie w pobliżu części ruchomych lub niebezpiecznych miejsc. *vo stesso non penda in corrispondenza di parti mobili o zone pericolose.*

Dane techniczne przewodów elektrycznych (uwaga nr 1)

	Urządzenia	Zaciski	Funkcje	Rodzaj przewodu	Najdłuższa dozwolona długość
A	Fotokomórki bezpieczeństwa	3 - 5	Wejście FOTO	TX Przewód 2 x 0,25 mm ² RX Przewód 3 x 0,25 mm ²	20 m (uwaga nr 2) 20 m (uwaga nr 2)
B	Przycisk sterujący	3 - 4	Wejście KROK PO KROKU	Przewód 2 x 0,25 mm ²	20 m (uwaga nr 2)
C	Przycisk bezpieczeństwa – Zabezpieczające listwy krawędziowe - itd.	1 - 2	Wejście STOP	Przewód 2 x 0,25 mm ²	20 m (uwaga nr 2)

Uwaga nr 1 – Przewody potrzebne do wykonania instalacji (nie na wyposażeniu) są zależne od ilości i rodzaju elementów, z których będzie złożona instalacja.

Uwaga nr 2 – Do wykonania podłączeń do zacisków 1-2 (Stop), 4-5 (Krok po kroku) i 3-5 (Foto) można wykorzystać jeden przewód z kilkoma żyłami w środku.

UWAGA! – Użyte przewody muszą być odpowiednie do otoczenia, w którym odbywa się montaż; na przykład w przypadku montażu w pomieszczeniach zaleca się przewód typu H03VV-F.

INSTALACJA: MONTAŻ I PODŁĄCZENIE POSZCZEGÓLNYCH ELEMENTÓW

KROK 5

5.1 – MONTAŻ ELEMENTÓW AUTOMATYKI

OSTRZEŻENIA

- Nieprawidłowy montaż może spowodować poważne urazy u osób wykonujących instalację oraz jej przyszłych użytkowników.
- Przed rozpoczęciem montażu automatyki, wykonaj wstępną kontrolę opisaną w KROKU

Po ułożeniu przewodów elektrycznych należy przystąpić do montażu elementów mechanicznych szyny prowadzącej i siłownika, zachowując wskazaną poniżej kolejność czynności.

01. Wsuń szynę prowadzącą w otwór w siłowniku (rys. 11).
02. Wsuń wewnętrzny element ogranicznika mechanicznego (a) w szynę prowadzącą i przysuń go do siłownika. Następnie ustaw płytę (b) nad elementem wewnętrznym i zablokuj całość przy użyciu śruby (rys. 12).
Pamiętaj – Śruba NIE może być zbyt mocno dokręcona, ponieważ później będziesz musiał przesunąć ogranicznik mechaniczny w pozycję docelową.
03. Przy użyciu śrub zamocuj końcówki łańcucha w rowkach wewnętrznej płyty wózka (rys. 13).
04. Połącz pomiędzy sobą obie płyty wózka. Włóż śrubę w uchwyt koła łańcucha, załóż łańcuch na koło, a następnie przy użyciu sworzni znajdującego się na wyposażeniu połącz wszystko z uchwytem (rys. 14).
05. Wsuń łańcuch i wózek do szyny prowadzącej. Pamiętaj o następujących rzeczach:
Rys. 15-a) ustaw bok wózka, do którego przymocowałeś łańcuch, po tej samej stronie, po której znajduje się pokrywa Centrali;
Rys. 15-b) ustaw wózek mniej więcej w połowie długości szyny prowadzącej.
06. Przelóż łańcuch przez zębnik siłownika i zamknij całość przy użyciu pokrywy zabezpieczającej (rys. 16).
07. Wsuń uchwyt w szynę prowadzącą. Przymocuj całość przy użyciu podkładki i nakrętki (rys. 17).
08. Napnij łańcuch przykręcając nakrętkę na śrubie uchwyty koła łańcucha (rys. 18). **UWAGA** – zbyt mocno napięty łańcuch może spowodować uszkodzenie siłownika, natomiast zbyt małe napięcie łańcucha może powodować uciążliwy hałas.
09. **DO BRAM UCHYLNYCH**
Jeśli brama przeznaczona do automatyzacji jest bramą uchylną (wystającą lub niewystającą - rys. 1) należy zmontować specjalne **Ramię wychylne mod. SPA5 (rys. 19)**. W związku z tym należy zamontować poszczególne części ramienia. **WAŻNE** – Zaleca się umieścić je jak najbliżej uchwyty bramy (w osi symetrii bramy).
Informacje na temat montażu drążka zostały opisane w punkcie 10.
Pamiętaj – podczas montażu elementu, postępuj według zaleceń, które znajdziesz w jego opakowaniu.
10. **WAŻNE** – Jeśli jest to brama typu uchylnego, należy użyć drążka dostarczonego z ramieniem wychylnym.
Przed zamontowaniem drążka należy przyciąć go na odpowiednią dłu-

gość, która pozwoli na zachowanie wymiaru **E** zgodnie z zaleceniami rys. 3. Następnie, przy użyciu śrub i nakrętek, przymocuj jeden koniec drążka do uchwytu (tego, który zostanie przymocowany do bramy lub do ramienia wychylnego), a drugi do wózka (rys. 20).

11. Przymocuj do wózka linkę służącą do ręcznego wysprzęglania a na jej końcu zamocuj gałkę (rys. 21). **Pamiętaj** – Gałka do wysprzęglania ręcznego musi być dostępna z ziemi, w związku z czym powinna znajdować się na wysokości równej lub mniejszej niż 180 cm.

WAŻNE! – Poniżej opisane czynności muszą być wykonane przy ZAMKNIĘTEJ bramie.

12. • W przypadku bramy SEGMENTOWEJ: ustal wartość wymiaru **B** pamiętając o ograniczeniu stworzonym przez wymiary **A** i **E** (rys. 3).
• W przypadku bramy UCHYLNEJ: ustal wartość wymiaru **B** pamiętając o ograniczeniu stworzonym przez wymiar **F** (rys. 4).
Pamiętaj – Jeśli wymiary **A**, **E** lub **F** pozwalają na to, automatyka może być przymocowana również do sufitu (minimum 4 mm).
13. Ustaw dwa uchwyty, służące do przymocowania szyny prowadzącej do sufitu, w kształt litery **L** i zamontuj je w pobliżu siłownika, używając do tego śrub i nakrętek (rys. 22).
Pamiętaj – montując uchwyty wybierz otwór, który pozwoli na zachowanie wymiaru **B**, ustalonego w punkcie 12.

5.2 – MOCOWANIE AUTOMATYKI DO ŚCIANY, SUFITU, BRAMY

Po zamocowaniu szyny prowadzącej i siłownika przystąp do mocowania automatyki do ściany, sufitu i bramy, wykonując poszczególne czynności w podanej poniżej kolejności.

01. Korzystając z drabiny, rusztowania lub innego systemu, podnieś siłownik z ziemi i umieść go wysoko, tak by uchwyty szyny prowadzącej opierały się o sufit i o ścianę nad bramą (rys. 23). **WAŻNE** – (rys. 23-a) ustaw szynę prowadzącą i siłownik w jednej linii z osią pionową bramy i prostopadle do bramy (kąt 90°). **Pamiętaj** – W przypadku bram uchylnych, szyna prowadząca musi być ustawiona w jednej linii w płaszczyźnie Ramienia wychylnego.
Ponadto upewnij się czy są zachowane odpowiednie wymiary **A**, **B**, **C**, **E** z rys. 3 oraz **B**, **F** z rys. 4.
02. Sprawdź czy szyna prowadząca jest ustawiona idealnie poziomo i zaznacz 4 punkty mocowania uchwytów. Następnie wykonaj otwory włoż w nie kołki rozporowe (rys. 24).
03. Przymocuj automatykę do sufitu i do ściany, używając do tego śrub i kołków rozporowych odpowiednich do materiału, z którego wykonana jest ściana (rys. 25).
Pamiętaj:
 - W zależności od typu ściany i materiału, z którego jest wykonana, uchwyt na krańcu szyny prowadzącej może być przymocowany przy użyciu nitów lub śrub i kołków.
 - Zwróć uwagę na odpowiednie dobranie systemu mocowania uchwytów do sufitu i ściany ponieważ:
 - uchwyt z przodu prowadnicy będzie musiał przenieść siłę potrzebną do otwarcia i zamknięcia bramy;
 - uchwyty na suficie będą musiały unieść ciężar siłownika.W obydwu przypadkach pamiętaj o zużyciu i odkształceniach, które mogą pojawić się wraz z upływem czasu.
04. Przy pomocy piły przycinaj wystającą, niepotrzebną część uchwytów przymocowanych do sufitu (rys. 26).
05. (Przy zamkniętej bramie) Pociągnij za gałkę wysprzęglającą i pozwól na

ruch wózka aż do momentu gdy uchwyt mocujący drążek do bramy oprze się na górnej krawędzi bramy segmentowej lub aż do mocowania Ramienia wychylnego (przy bramach uchylnych). Następnie ustaw drążek w jednej linii z osią szyny prowadzącej i przymocuj uchwyt do bramy używając do tego nitów lub śrub odpowiednich do materiału, z którego wykonana jest brama (rys. 27).

06. Poluzuj delikatnie śrubę ogranicznika mechanicznego i ręcznie otwórz bramę, ustawiając ją w maksymalnej pozycji otwarcia (rys. 28).
07. Przesuń ogranicznik mechaniczny w kierunku wózka, tak by go dotykał. Następnie zablokuj docelowo ogranicznik mechaniczny dokręcając śrubę (rys. 29).
Pamiętaj – Podczas normalnej pracy, wózek zatrzyma się kilka centymetrów przed ogranicznikiem mechanicznym.
08. Teraz zablokuj ponownie wózek zamykając ręcznie bramę, aż do chwili gdy usłyszysz suchy trzask.

KROK 6

Po zamontowaniu wszystkich urządzeń przewidzianych w instalacji, przy zachowaniu pozycji opisanych w KROKU 4, podłącz poszczególne urządzenia do Centrali w następujący sposób.

UWAGA! – Nieprawidłowe podłączenie może spowodować uszkodzenia i doprowadzić do niebezpiecznych sytuacji, w związku z tym należy ściśle przestrzegać wskazanych podłączeń.

01. Przy użyciu śrubokręta, odkręć śrubę pokrywy Centrali i odsuń ją (rys. 30), aby dostać się do zacisków na Centrali, służących do wykonania podłączeń elektrycznych.
02. Przy użyciu tego samego śrubokręta otwórz przelotki, w których będą poprowadzone przewody elektryczne (rys. 31) urządzeń, z których zbudowana jest instalacja.
03. Teraz podłącz do Centrali przewody elektryczne poszczególnych urządzeń, używając listwy zaciskowej z pięcioma zaciskami. (rys. 32).

UWAGA – Fragment przewodu elektrycznego, który łączy zaciski 3 i 5 powinien zostać usunięty tylko w przypadku montażu fotokomórek.

W celu prawidłowego wykonania podłączeń wykonaj następujące czynności.

• **Podłączenie pary fotokomórek jako urządzenia zabezpieczającego**
Instalacja może zawierać jedną lub więcej par fotokomórek, które pełnią funkcję urządzeń zabezpieczających. W przypadku montażu kilku par fotokomórek, należy połączyć je pomiędzy sobą „szeregowo”, a następnie łańcuch ten podłączyć do zacisków 3 i 5 na Centrali. Na koniec należy podłączyć ich zasilanie do zacisków 2 i 3 (patrz przykład na rys. 33 i 34).

Jeśli fotokomórki zadziałają podczas manewru Zamknięcia, spowoduje to zatrzymanie manewru i natychmiastowy ruch w przeciwnym kierunku.

• **Podłączenie przycisku typu „NO” służącego do sterowania manewrami**

Istnieje możliwość montażu w instalacji przycisku typu „NO”, czyli „normalnie otwarty”, który służyłby do sterowania manewrami w trybie „Krok po kroku” (szczegółowo tryb ten opisano w KROKU 9). Przycisk ten należy podłączyć do zacisków 3 i 4 na Centrali.

Pamiętaj – W przypadku montażu kilku przycisków, służących do sterowania manewrami, połącz je między sobą „równolegle”, tak jak pokazano na rys. 35 i 36.

• **Podłączenie urządzeń zabezpieczających, innych niż fotokomórki**
Istnieje możliwość montażu w instalacji urządzeń zabezpieczających innych niż fotokomórki, z różnymi rodzajami styku. Są to:

- urządzenia ze stykiem „normalnie otwartym” („NO”);
- urządzenia ze stykiem „normalnie zamkniętym” („NC”);
- urządzenia ze stałą opornością 8,2 K Ω .

Urządzenia te muszą być podłączone do zacisków 1 i 2 na Centrali. Ponadto istnieje możliwość podłączenia do jednego zacisku więcej niż jednego urządzenia, w tym celu należy wykonać następującą procedurę:

A) – w celu połączenia pomiędzy sobą urządzeń typu „NO”, użyj schematu połączenia „równoległego”, zgodnie z ilustracją na rys. 37.

B) – w celu połączenia pomiędzy sobą urządzeń typu „NC”, użyj schematu połączenia „szeregowego”, zgodnie z ilustracją na rys. 38.

C) – w celu połączenia pomiędzy sobą urządzeń ze stałą opornością 8,2 K Ω , użyj schematu połączenia „równoległego”, ustawiając oporność (8,2K Ω) na ostatnim urządzeniu, zgodnie z ilustracją na rys. 39.

D) – w celu połączenia pomiędzy sobą urządzeń o różnym rodzaju styku („NO”, „NC” i stała oporność 8,2 K Ω), użyj schematu połączenia mieszanego „szeregowego” i „równoległego”, zgodnie z ilustracją na rys. 40.

Pamiętaj – Tylko urządzenia zabezpieczające z wyjściem o stałej oporności 8,2 K Ω zapewniają 3 kategorię zabezpieczenia przeciw uszkodzeniom,

zgodnie z normą EN 954-1.

Jeśli te urządzenia zabezpieczające zadziałają, spowoduje to zatrzymanie manewru oraz krótki ruch w przeciwnym kierunku.

• **Zasilanie urządzeń, innych niż opisane w niniejszym rozdziale**

Istnieje możliwość montażu w instalacji innego rodzaju urządzeń niż opisane powyżej, na przykład uniwersalnego odbiornika przekątnikowego. Urządzenia te muszą być podłączone do zacisków 2 i 3 na Centrali. **Uwaga!** – Napięcie na zaciskach 2 i 3 wynosi 24 Vcc a maksymalny dostarczony prąd wynosi 100 mA. Suma prądu pobieranego przez poszczególne urządzenia podłączone do tych zacisków nie może przekraczać tej wartości.

UWAGA – Po wykonaniu podłączeń, zamocuj wszystkie przewody przy użyciu specjalnych opasek zaciskowych i załóż pokrywę na Centralę.

PODŁĄCZENIE ZASILANIA

KROK 7

OSTRZEŻENIA!

– Znajdujący się na wyposażeniu przewód zasilania nadaje się do montażu w pomieszczeniach.

– Ostateczne podłączenie automatyki do sieci elektrycznej może być wykonane wyłącznie przez wykwalifikowanego i doświadczonego elektryka, w poszanowaniu lokalnych norm bezpieczeństwa oraz zaleceń zawartych w części „Czynności zastrzeżone dla wykwalifikowanego technika”.

W celu wykonania prób działania i zaprogramowania automatyki, należy podłączyć Centralę do zasilania włączając wtyczkę przewodu zasilającego dostarczonego na wyposażeniu do gniazdka (rys. 41). Jeśli gniazdko znajduje się z dala od automatyki, na tym etapie można korzystać z przedłużacza.

PIERWSZE PODŁĄCZENIE I KONTROLA POŁĄCZEŃ ELEKTRYCZNYCH

KROK 8

UWAGA! – Wszystkie czynności opisane poniżej w instrukcji będą wykonywane na obwodach elektrycznych pod napięciem, a manewry mogą być niebezpieczne! Zachowaj ostrożność podczas pracy.

Po podłączeniu Centrali do zasilania (rys. 41) wykonaj czynności opisane poniżej, sprawdzając zgodność wyników:

• Od razu po załączeniu, czerwona dioda (rys. 42) będzie szybko migać przez kilka sekund, później będą się zapalać na zmianę diody zielona i czerwona, a na zakończenie dioda zielona zgaśnie, podczas gdy dioda czerwona będzie dalej migać regularnie z częstotliwością, co 1 sekundę (= normalny stan pracy Centrali).

Uwaga! – Jeśli czerwona dioda nie miga tak jak opisano zaleca się odłączyć Centralę od zasilania elektrycznego i sprawdzić uważnie wykonane podłączenia (więcej informacji w punkcie „Co robić gdy...”).

• Jeśli w instalacji są zamontowane fotokomórki, upewnij się czy na fotokomórce RX dioda jest zgaszona (= normalna praca) lub czy pali się (= wykryta przeszkoda). Jeśli dioda miga oznacza to, że sygnał jest niewyraźny i zakłócany przez niewłaściwe wyosowanie obu fotokomórek.

• Jeśli w instalacji znajduje się klawiatura sterująca drogą radiową sprawdź jej działanie, korzystając z załączonej do niej instrukcji.

KROK 9

OSTRZEŻENIA przy programowaniu:

- Zaleca się **najpierw przeczytać opis procedur a dopiero potem przystąpić do pracy, wykonując w sposób ciągły poszczególne etapy każdej procedury.**
- W niniejszej instrukcji przyciski nadajnika zostały oznaczone przy użyciu numerów. Na rys. 43. przedstawiono zestawienie pomiędzy numerami a poszczególnymi przyciskami nadajnika.

9.1 – WCZYTYWANIE NADAJNIKA mod. FLO4R-S

By sterować automatyką przy użyciu nadajnika należy wczytać jego przyciski do pamięci Centrali.

Wczytywanie pozwala na przypisanie przyciskom poszczególnych poleceń. Do wyboru są następujące polecenia:

1 = Krok po kroku: odpowiada sekwencji ... *Otwiera - Stop - Zamyka - Stop ...* Pierwsze polecenie aktywuje manewr *Otwarcia*; następne - gdy skrzydło jest w ruchu - powoduje *Stop*; trzecie aktywuje manewr *Zamknięcia*; czwarte - gdy skrzydło jest w ruchu - powoduje *Stop* i tak dalej...

2 = Krok po kroku 2: odpowiada sekwencji... *Otwiera - Stop - Zamyka - Otwiera ...* Pierwsze polecenie aktywuje manewr *Otwarcia*; drugie - gdy brama jest w ruchu - powoduje *Stop*; trzecie aktywuje manewr *Zamknięcia*; czwarte - gdy brama jest w ruchu – aktywuje manewr *Otwarcia* i tak dalej...

3 = Częściowe otwarcie: odpowiada krótkiemu ruchowi otwarcia bramy. Polecenie to może zostać wykonane tylko jeśli brama jest całkowicie zamknięta.

4 = Lampa ostrzegawcza: ... On - Off - On ...

Pojedyncze wykonanie procedury pozwala na wczytanie **jednego przycisku** nadajnika. Może być on wczytany zarówno do niniejszej Centrali jak i do Centrali innych instalacji automatyki. Do pamięci Centrali można wczytać do 150 przycisków.

Dla każdego przycisku, który chcesz wczytać powtórz następującą procedurę.

- 01.** Wybierz przycisk nadajnika, (który chcesz wczytać (przykład: przycisk T3).
- 02.** Wybierz polecenie, spośród wymienionych wcześniej, które chcesz przypisać do wybranego przycisku (przykład: polecenie "2").
- 03.** Wciśnij przycisk "P1" (na Centrali) ilość razy odpowiadającą numerowi wybranego polecenia (na naszym przykładzie "2" razy) i sprawdź czy zielona dioda mignie krótko tyle samo razy (mignięcia z regularną częstotliwością).
- 04.** (w przeciagu 10 sekund) Wciśnij i przytrzymaj na nadajniku przez co najmniej 2 sekundy przycisk, który chcesz wczytać (na naszym przykładzie jest to przycisk T3).

Jeśli wczytanie powiodło się zielona dioda mignie długo 3 razy (= wczytanie ok). **Pamiętaj** – Przed upływem 10 sekund możesz wczytać przycisk **NOWEGO nadajnika z tym samym poleceniem** (jest to przydatne, kiedy na przykład trzeba wczytać większą ilość nadajników do tej samej Centrali).

W przeciwnym razie, odczekaj, aż zielona dioda zgaśnie (= procedura zakończona) a czerwona dioda ponownie zacznie migać w regularnych odstępach.

9.2 – WCZYTYWANIE POZYCJI KOŃCOWYCH "OTWARCIA" I "ZAMKNIĘCIA" BRAMY

Pozycja końcowa "Zamknięcia" (B - rys. 44) odpowiada maksymalnemu zamknięciu bramy, a pozycja końcowa "Otwarcia" (A - rys. 44) odpowiada jej maksymalnemu otwarciu.

Na tym etapie montażu należy umożliwić rozpoznanie i wczytanie do Centrali pozycji końcowej "Zamknięcia" i "Otwarcia" bramy oraz konfigurację wejścia STOP. W tym celu wykonaj następującą procedurę:

UWAGA! – Istnieje możliwość wykonania opisanych poniżej czynności wyłącznie przy użyciu przycisku "P1" na Centrali siłownika.

- 01.** Sprawdź czy wózek jest zaczepiony
- 02.** Wciśnij i przytrzymaj długo (przez około 5 sekund) przycisk "P1" na Centrali, aż do chwili gdy zapali się czerwona dioda. Potem zwolnij przycisk.
- 03.** Teraz Centrala automatycznie uruchomi 3 kolejne manewry (Zamknięcie - Otwarcie - Zamknięcie) wczytując automatycznie obie pozycje końcowe.
UWAGA! – Jeśli w czasie tych 3 manewrów zadziała urządzenie zabezpieczające lub zostanie przypadkowo wciśnięty przycisk "P1", Centrala natychmiast przerwie i anuluje wykonywaną procedurę. W takiej sytuacji należy powtórzyć całą procedurę od początku.
- 04.** Przy użyciu przycisku T1 na pilocie wydaj polecenie wykonania 3 lub 4 pełnych manewrów Otwarcia i Zamknięcia (w czasie tych manewrów Centrala zapamiętuje wartości siły potrzebnej do przemieszczania bramy w każdym punkcie manewru).

Uwaga! – Nie wolno przerywać opisanych powyżej manewrów, jeśli to jednak nastąpi musisz przeprowadzić na nowo całą procedurę.

UWAGA! – Jeśli w czasie wyszukiwania pozycji łańcuch ślizga się po zębniku silnika powodując rytmiczny hałas, oznacza to, że nie jest napięty w odpowiedni sposób. W takiej sytuacji należy przerwać procedurę wciskając przycisk "P1" na Centrali, napiąć łańcuch poprzez dokręcenie nakrętki i powtórzyć od nowa całą procedurę.

Niniejsza procedura może zostać wykonana ponownie również w innej chwili – na przykład po ewentualnym przesunięciu.

REGULACJE I POZOSTAŁE FUNKCJE OPCJONALNE

Centrala posiada kilka funkcji opcjonalnych, które pozwalają na zwiększenie możliwości automatyki, a co za tym idzie dostosowanie jej do indywidualnych potrzeb.

10 – REGULACJA PRACY AUTOMATYKI

W celu personalizacji pracy automatyki można aktywować lub dezaktywować niektóre funkcje i regulować ich wartość. Są to następujące funkcje:

- **ZAMKNIJ AUTOMATYCZNIE.** Kiedy funkcja ta jest aktywna, po zakończeniu manewru *Otwarcia*, którego polecenie wydał użytkownik, po pewnym czasie Centrala automatycznie zamyka bramę.
- **PRĘDKOŚĆ RUCHU.** Funkcja ta pozwala na ustawienie żądanej prędkości, z którą automatyka będzie poruszała bramę.
- **CZUŁOŚĆ NA WYKRYCIE PRZESZKÓD.** Jeśli podczas wykonywanego manewru jakaś przypadkowa przeszkoda spowolni lub zatrzyma ruch bramy (podmuch wiatru, pojazd, człowiek, itd) funkcja ta wychwytuje od razu wzrost siły silnika potrzebnej do zrównoważenia oporu i wydaje polecenie natychmiastowego odwrócenia ruchu.
- **ZMNIEJSZENIE NAPRĘŻENIA.** Po zakończeniu manewru zamknięcia, gdy brama jest już całkowicie zamknięta silnik "popycha" jeszcze przez chwilę bramę, aby zagwarantować jej idealne zamknięcie. Tuż po tym funkcja "zmniejszenie naprężenia" wydaje polecenie bardzo krótkiego ruchu w przeciwną stronę, w celu zmniejszenia zbyt dużego nacisku wywieranego przez silnik na bramę.

Wartości tych funkcji mogą być regulowane według potrzeb, przy wykorzystaniu poniższej procedury oraz nadajnika, który posiada co najmniej jeden przycisk wczytany uprzednio do Centrali.

Pamiętaj – Podczas wykonywania procedury, za każdym razem, gdy przyciskasz jeden przycisk lampa ostrzegawcza miga jeden raz.

- 01.** Wciśnij i przytrzymaj **równocześnie**, przez co najmniej przez **5 sekund**, przyciski "T1" i "T2" na nadajniku a potem zwolnij je. Na Centrali migają obie diody (zielona i czerwona), które oznaczają rozpoczęcie procedury "programowania funkcji" (diody będą migać podczas całej procedury).
- 02.** Wciśnij i przytrzymaj, przez co najmniej **1 sekundę** przycisk na nadajniku, który został uprzednio wczytany do tej Centrali (zielona dioda mignie 1 raz).
- 03.** Następnie wybierz jedną z czterech dostępnych funkcji a potem wciśnij i przytrzymaj, przez co najmniej **1 sekundę** przycisk nadajnika, przypisany do wybranej funkcji (zielona dioda mignie 1 raz):
 - Zamknij automatycznie = (wciśnij przycisk "T1")
 - Prędkość ruchu = (wciśnij przycisk "T2")
 - Czulość na wykrycie przeszkód = (wciśnij przycisk "T3")
 - Zmniejszenie naprężenia = (wciśnij przycisk "T4")
- 04.** Na zakończenie wybierz z Tabeli 4 żadaną wartość, zależną od wybranej funkcji, a potem wciśnij i przytrzymaj przez co najmniej **1 sekundę** przycisk nadajnika, przypisany do wybranej wartości (diody zielona i czerwona migną krótko 1 raz na potwierdzenie).

Uwagi do Tabeli 4:

- Tabela zawiera wartości dostępne dla każdej z 4 funkcji specjalnych i przycisk, który trzeba wcisnąć na nadajniku by wybrać określoną wartość.
- Kolorem szarym zaznaczono wartości ustawione fabrycznie.

TABELA 4

ZAMKNIJ AUTOMATYCZNIE

Brak zamknięcia → (wcisnij przycisk "T1")

Zamknięcie po 15 sekundach → (wcisnij przycisk "T2")

Zamknięcie po 30 sekundach → (wcisnij przycisk "T3")

Zamknięcie po 60 sekundach → (wcisnij przycisk "T4")

PRĘDKOŚĆ RUCHU

Otwarcie wolne / Zamknięcie wolne → (wcisnij przycisk "T1")

Otwarcie wolne / Zamknięcie szybkie → (wcisnij przycisk "T2")

Otwarcie szybkie / Zamknięcie wolne → (wcisnij przycisk "T3")

Otwarcie szybkie / Zamknięcie szybkie → (wcisnij przycisk "T4")

CZUŁOŚĆ NA WYKRYCIE PRZESZKÓD

Wysoka → (wcisnij przycisk "T1")

Średnio wysoka → (wcisnij przycisk "T2")

Średnio niska → (wcisnij przycisk "T3")

Niska → (wcisnij przycisk "T4")

ZMNIJSZENIE NAPRĘŻENIA

Brak zmniejszenia naprężenia → (wcisnij przycisk "T1")

Minimalne → (wcisnij przycisk "T2")

Średnie → (wcisnij przycisk "T3")

Maksymalne → (wcisnij przycisk "T4")

11 – WCZYTYWANIE NOWEGO NADAJNIKA PRZY UŻYCIU PROCEDURY 'W POBLIŻU' CENTRALI [przy użyciu innego nadajnika, uprzednio już wczytanego]

NOWY nadajnik można wczytać do pamięci Centrali nie używając bezpośrednio przycisku "P1" samej Centrali, ale działając "zdalenie" w zasięgu jej odbioru. Do wykonania procedury potrzebny jest STARY nadajnik, wczytany wcześniej i sprawny. Procedura pozwala na przekazanie NOWEMU nadajnikowi ustawień STAREGO nadajnika.

Ostrzeżenie – Musisz wykonywać procedurę w promieniu odbioru odbornika (maksymalnie 10-20 m od odbornika).

01. Na NOWYM nadajniku wcisnij i przytrzymaj, przez co najmniej 5 sekund przycisk, który chcesz wczytać, a potem zwolnij go.
02. Na STARYM nadajniku, wcisnij wolno 3 razy przycisk z poleceniem, które chcesz wczytać do drugiego nadajnika.
03. Na NOWYM nadajniku wcisnij 1 raz ten sam przycisk, który wcisnąłeś uprzednio w punkcie 01.

Pamiętaj – Procedurę należy powtórzyć w odniesieniu do każdego przycisku, który chcesz wczytać.

12 – KASOWANIE DANYCH Z PAMIĘCI CENTRALI

Istnieje możliwość skasowania częściowego lub całościowego danych zapisanych w pamięci Centrali. Operację tę można przeprowadzić, zależnie od potrzeby, korzystając z jednej z następujących procedur:

- Kasowanie polecenia w uprzednio wczytanym Nadajniku
- Kasowanie innych danych wczytanych do Centrali

Kasowanie Polecenia w uprzednio wczytanym Nadajniku

Procedura ta pozwala wykasować z pamięci Centrali pojedyncze polecenie przypisane do jednego przycisku nadajnika.

Pamiętaj – W czasie procedury dioda czerwona i dioda zielona palą się stałym światłem.

01. Wcisnij i przytrzymaj przez ponad 10 sekund przycisk "P1" na Centrali: najpierw zapali się dioda zielona, po 5 sekundach zapali się dioda czerwona a na koniec obie diody, informując tym samym, że Centrala rozpoczęła procedurę "kasowanie pamięci" (**UWAGA! – nie zwalnij przycisku "P1"!**).

02. **Nie zwalnijając przycisku "P1"**, wcisnij na nadajniku przycisk, który chcesz wykasować: jeśli Centrala rozpozna tę operację, dioda zielona mignie krótko, dopiero teraz możesz zwolnić przycisk "P1" oraz przycisk na nadajniku.

Kasowanie innych danych wczytanych do Centrali

Ta procedura pozwala skasować z pamięci Centrali różne rodzaje wczytanych danych, tak jak podano to w Tabeli 5.

Pamiętaj – W czasie procedury dioda czerwona i dioda zielona palą się stałym światłem.

01. Wcisnij i przytrzymaj, przez co najmniej 10 sekund przycisk "P1" na Centrali: najpierw zapali się dioda zielona, po 5 sekundach zapali się dioda czerwona a na zakończenie obie, informując tym samym, że Centrala rozpoczęła procedurę "kasowania pamięci". Teraz możesz zwolnić przycisk.
02. Z Tabeli 5 wybierz typ danych, które chcesz skasować i wcisnij przycisk "P1" tyle razy ile zaznaczono w nawiasie (przy każdym wciśnięciu przycisku "P1", dioda zielona miga).
03. Po 5 sekundach od ostatniego wciśnięcia przycisku "P1", jeśli kasowanie powiodło się, obie diody (czerwona i zielona) zaczną szybko migać (= pamięć skasowana!).

Pamiętaj – Zanim kasowanie zostanie wykonane, masz 5 sekund na zmianę podjętej decyzji - w przeciągu tego czasu możesz wyjść z procedury nie kasując danych, musisz tylko wcisnąć 5 razy przycisk "P1".

WAŻNE! – Po skasowaniu "Pamięci pozycji końcowych "Zamknięcia" i "Otwarcia" oraz "Pamięci CAŁKOWITEJ", musisz ponownie przeprowadzić procedurę 9.2 – Wczytywanie pozycji "Zamknięcia" i "Otwarcia".

TABELA 5

- Pamięć wartości Funkcji Opcjonalnych (= 1 wciśnięcie)
- Pamięć pozycji końcowych "Zamknięcia" i "Otwarcia" (= 2 wciśnięcia)
- Pamięć kodów Nadajników (= 3 wciśnięcia)
- Pamięć CAŁKOWITA (= 4 wciśnięcia) **Pamiętaj** – za jednym razem kasuje pierwsze trzy pamięci

CO ROBIĆ GDY... (rozwiązywanie problemów)

Podczas normalnego działania Centrala stale kontroluje procesy automatyki i jest w stanie poinformować o ewentualnych anomaliach, poprzez określone wcześniej sekwencje mignięć, które wydaje lampa ostrzegawcza i czerwona dioda "L1", znajdująca się na Centrali (mignięcia diagnostyczne dotyczą zawsze ostatniej czynności wykonanej przez automatykę). Związek pomiędzy ilością mignięć, a przyczyną zaistniałego problemu został opisany w **Tabeli 6**:

TABELA 6		
Mignięcia	Problem	Rozwiązanie
2 mignięcia - przerwa - 2 mignięcia	Podczas manewru <i>Zamknięcia</i> brama zatrzymuje się i wykonuje ruch w kierunku przeciwnym.	Para fotokomórek obecnych w instalacji zadziałała, wykrywając przeszkodę. Należy usunąć przeszkodę znajdującą się na linii optycznej, łączącej obie fotokomórki.
3 mignięcia - przerwa - 3 mignięcia	Podczas manewru <i>Otwarcia</i> lub <i>Zamknięcia</i> brama zatrzymuje się nagle i siłownik wykonuje <u>krótki</u> ruch w kierunku przeciwnym.	Brama napotkała na zwiększony opór w wyniku wystąpienia niespodziewanej przeszkody (podmuch wiatru, pojazd, człowiek, itd.). W razie konieczności wyregulowania czułości wykrywania przeszkód, patrz Rozdział " Regulacje i inne Funkcje opcjonalne ".
4 mignięcia - przerwa - 4 mignięcia	Podczas manewru <i>Otwarcia</i> lub <i>Zamknięcia</i> brama zatrzymuje się nagle a siłownik wykonuje "Stop", po którym następuje krótkie odwrócenie ruchu.	Ewentualne urządzenia zabezpieczające (inne niż fotokomórki, np. zabezpieczające listwy krawędziowe) wykryły nagłą przeszkodę. Usuń przeszkodę.
5 mignięć - przerwa - 5 mignięć	Automatyka nie odpowiada na wysłane polecenia.	Wystąpił błąd w konfiguracji sytemu. Wykasuj całą pamięć Centrali, a następnie powtórz montaż.
6 mignięć - przerwa - 6 mignięć	Po szeregu poleceń wydanych jedno po drugim, automatyka blokuje się.	Przekroczono maksymalny limit dozwolony dla manewrów następujących jeden po drugim i w związku z tym doszło do przegrzania. Należy odczekać kilka minut by temperatura zeszła poniżej maksymalnego ustalonego limitu.
7 mignięć - przerwa - 7 mignięć	Automatyka nie odpowiada na wysłane polecenia.	Uszkodzenie w wewnętrznych obwodach elektrycznych. Odłącz wszystkie obwody zasilania, odczekaj kilka sekund i podłącz je na nowo. Wydadaj nowe polecenie, ponowny brak reakcji automatyki oznacza poważne uszkodzenie Centrali lub okablowania silnika. Przeprowadź kontrole i wymień części, jeśli zachodzi taka potrzeba.



Czynności zastrzeżone dla wykwalifikowanego technika

UWAGA! – Wszystkie czynności opisane w tej części mogą być wykonane wyłącznie przez wykwalifikowany i doświadczony personel, w poszanowaniu zaleceń opisanych w instrukcji oraz lokalnych przepisów i norm bezpieczeństwa.

PODŁĄCZENIE AUTOMATYKI DO SIECI ELEKTRYCZNEJ

Uwaga! – Przy wykonywaniu tego podłączenia należy zainstalować na linii zasilania (pomiędzy automatyką a siecią elektryczną), urządzenie chroniące przez zwarciami.

Ponadto na tej samej linii należy zainstalować także urządzenie odłączające zasilanie (z III kategorią przepięcia, tzn. odległość pomiędzy stykami musi wynosić minimum 3 mm) lub inny ekwiwalentny system (na przykład gniazdko z wtyczką).

W razie potrzeby to urządzenie gwarantuje szybkie i bezpieczne odcięcie zasilania. W związku z tym musi być umieszczone w zasięgu wzroku od automatyki. Jeśli natomiast nie jest ono widoczne, wówczas musi posiadać system, który blokuje ewentualne przypadkowe rozłączenie lub nieautoryzowane załączenie, tak by uniknąć niebezpiecznych sytuacji.

Pamiętaj – Urządzenie odłączające zasilanie nie jest dostarczane z produktem.

ODBIÓR TECHNICZNY I ODDANIE AUTOMATYKI DO EKSPLOATACJI

Są to najważniejsze etapy podczas realizacji automatyki, które mają zagwarantować jak największe bezpieczeństwo instalacji. Opisana procedura odbioru technicznego może być też wykorzystywana do okresowej kontroli urządzeń składających się na automatykę.

Etapy odbioru technicznego i oddania automatyki do eksploatacji muszą być wykonane przez wykwalifikowany i doświadczony personel, który będzie musiał wziąć na siebie obowiązek określenia prób potrzebnych do kontroli rozwiązań, które zastosowano wobec istniejących zagrożeń, a także sprawdzić czy są przestrzegane prawa, normy i przepisy, a w szczególności czy zachowano wymogi normy EN 12445, która określa metody przeprowadzania prób w celu weryfikacji automatyki bram garażowych.

ODBIÓR TECHNICZNY AUTOMATYKI

- 1 Sprawdź czy zachowano ściśle zalecenia w materii bezpieczeństwa opisane w KROKU 1.
- 2 Korzystając z nadajnika, przeprowadź próby zamknięcia i otwarcia bramy, upewniając się czy rzeczywisty ruch bramy odpowiada przewidzianemu. Wykonaj wiele prób w celu oceny płynności ruchu bramy, sprawdzenia regulacji, wykrycia ewentualnych wad montażowych i ewentualnych punktów zwiększonego tarcia.
- 3 Sprawdź po kolei prawidłowe działanie wszystkich urządzeń bezpieczeństwa znajdujących się w instalacji (fotokomórki, zabezpieczające listwy krawędziowe, itd.). **Fotokomórki:** spraw by urządzenie zadziałało podczas manewru *Zamknięcia* i sprawdź czy Centrala zatrzyma manewr i wykona całkowite odwrócenie ruchu (lampa ostrzegawcza mignie 2 razy, po czym powtórzy serię mignięć). **Zabezpieczające listwy krawędziowe:** spraw by urządzenie zadziałało podczas manewru *Otwarcia* lub *Zamknięcia* i sprawdź czy Centrala zatrzyma manewr i wykona krótkie odwrócenie ruchu (lampa ostrzegawcza mignie 4 razy, po czym powtórzy serię mignięć).
- 4 Upewnij się czy nie występują zakłócenia pomiędzy fotokomórkami a innymi urządzeniami. W tym celu przetnij cylindrycznym przedmiotem (średnica 5 cm, długość 30 cm) osł optyczną, łączącą parę fotokomórek (**rys. 45**) – prześnuj przedmiot najpierw przy fotokomórcie TX, następnie przy fotokomórcie RX a potem po środku, między obiema fotokomórkami. Upewnij się czy urządzenie zadziała za każdym razem, przechodząc ze stanu czuwania w stan alarmu i na odwrót. Upewnij się też czy wywołuje ono w Centrali przewidzianą czynność (na przykład odwrócenie ruchu przy manewrze *Zamknięcia*).
- 5 Wykonaj pomiar siły uderzenia zgodnie z zaleceniami normy EN 12445 i ewentualnie - jeśli kontrola "siły silnika" jest wykorzystywana jako wsparcie systemu redukującego siłę uderzenia - znajdź ustawienie, które przyniesie lepsze wyniki.
- 6 Wydadaj polecenie manewru *Zamknięcia* i sprawdź siłę nacisku bramy na powierzchni posadzki. Jeśli to konieczne spróbuj zmniejszyć nacisk, wykorzystując regulację zmniejszenia naprężenia paska, która przyniesie lepsze wyniki.

ODDANIE AUTOMATYKI DO EKSPLOATACJI

Oddanie do eksploatacji może nastąpić po pozytywnym zakończeniu wszystkich etapów odbioru technicznego. Nie zezwala się na oddanie do eksploatacji częściowe lub "tymczasowe".

- Wykonaj dokumentację techniczną automatyki. Musi ona zawierać następujące dokumenty: rysunek całościowy (przykład na rys. 6, 7, 8), schemat wykonanych połączeń elektrycznych (przykłady KROKU 6), analizę ryzyka i zastosowane rozwiązania (zobacz na stronie internetowej www.niceforyou.com - formularze do wypełnienia), deklarację zgodności producenta dotyczącą wszystkich zastosowanych urządzeń oraz deklarację zgodności wypełnioną przez instalatora (patrz część "DOKUMENTACJA TECHNICZNA").
- Przywieś na bramie tabliczkę znamionową, która będzie musiała zawierać między innymi następujące dane: rodzaj automatyki, nazwisko i adres producenta (odpowiedzialnego za "oddanie do eksploatacji"), numer seryjny, rok produkcji i znak "CE".
- Wypełnij i przekazaj właścicielowi automatyki deklarację zgodności. W tym celu należy wypełnić formularz "Deklaracja zgodności CE", który znajdziesz w części "DOKUMENTACJA TECHNICZNA".
- Wypełnij i przekazaj właścicielowi automatyki formularz "Instrukcja użytkownika", które znajdziesz w części "DOKUMENTACJA TECHNICZNA".
- Wypełnij i przekazaj właścicielowi automatyki formularz "Plan konserwacji", które znajdziesz w części "DOKUMENTACJA TECHNICZNA". Zawiera on zalecenia dotyczące konserwacji wszystkich urządzeń automatyki.
- Przed oddaniem automatyki do eksploatacji przekazaj właścicielowi automatyki informacje na temat wciąż istniejących zagrożeń i ryzyka.
- Zamocuj na stałe na bramie etykietę lub tabliczkę z rysunkiem przedstawionym na rys. 46 (minimalna wielkość 60 mm) i napisem "UWAGA, NIEBEZPIECZENSTWO ZGNIECENIA".

OKRESOWE PRACE KONSERWACYJNE

Niniejszy produkt nie wymaga właściwie prowadzenia specjalnych prac konserwacyjnych, jednak regularna kontrola pozwala utrzymać skuteczne działanie instalacji i zagwarantować właściwą pracę zamontowanych systemów bezpieczeństwa.

Właściwy sposób prowadzenia prac konserwacyjnych opisano w rozdziale "Plan Konserwacji", który znajdziesz w części "DOKUMENTACJA TECHNICZNA" na końcu instrukcji.

UTYLIZACJA PRODUKTU

Produkt ten stanowi integralną część automatyki i w związku z tym musi być zutylizowany razem z nią.

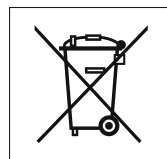
Podobnie jak w przypadku montażu, również czynności związane z demontażem muszą być wykonane przez wykwalifikowany personel techniczny.

Produkt ten składa się z różnego rodzaju materiałów, niektóre z nich mogą być powtórnie użyte, inne muszą zostać poddane utylizacji. Zasięgnij informacji odnośnie systemów recyklingu i utylizacji, przewidzianych zgodnie z lokalnymi przepisami obowiązującymi dla tej kategorii produktu.

Uwaga! Niektóre elementy produktu mogą zawierać substancje szkodliwe lub niebezpieczne, które po wyrzuceniu, mogłyby zaszkodzić środowisku lub zdrowiu ludzkiemu.

Zgodnie ze wskazaniem symbolu obok, zabrania się wyrzucania tego produktu do odpadów domowych. Należy przeprowadzić "segregację odpadów" na potrzeby utylizacji, według metod przewidzianych lokalnymi przepisami lub zwrócić produkt sprzedawcy podczas zakupu nowego, równorzędnego produktu.

Uwaga! Lokalne przepisy mogą przewidywać poważne sankcje w przypadku nielegalnej utylizacji produktu.



DEKLARACJA ZGODNOŚCI CE

Deklaracja zgodna z dyrektywami: 1999/5/WE (R&TTE), 2004/108/WE (EMC); 2006/42/WE (MD) załącznik II, część B

Uwaga - Treść niniejszej deklaracji jest zgodna z oficjalną deklaracją zdeponowaną w siedzibie Nice S.p.a., a w szczególności z najnowszą wersją dostępną przed wydrukowaniem niniejszego podręcznika. Niniejszy tekst został dostosowany pod kątem wydawniczym. Kopię oryginalnej deklaracji zgodności można otrzymać od firmy Nice S.p.a. (TV) I.

Numer deklaracji:	290/SHEL	Weryfikacja:	2	Język PL
Nazwa producenta:	NICE s.p.a.			
Adres:	Via Pezza Alta 13, 31046 Z.I. Rustigne', Oderzo (TV) Włochy			
Osoba upoważniona do sporządzenia dokumentacji technicznej:	Oscar Marchetto			
Typ:	Motoreduktor elektromechaniczny z akcesoriami			
Modele :	SHEL50, SHEL75			
Akcesoria :	Nadajniki radiowe z serii FLO, FLOR, Smilo			

Ja, niżej podpisany Luigi Paro jako Dyrektor Generalny deklaruję na własną odpowiedzialność, że wyżej wymienione produkty są zgodne z następującymi dyrektywami:

- Dyrektywa 1999/5/WE PARLAMENTU EUROPEJSKIEGO i RADY z dnia 9 marca 1999 r., w sprawie urządzeń radiowych i końcowych urządzeń telekomunikacyjnych oraz wzajemnego uznawania ich zgodności z normami zharmonizowanymi:
 - Ochrona zdrowia (art. 3(1)(a)): EN 50371:2002
 - Bezpieczeństwo elektryczne(art. 3(1)(a)): EN 60950-1:2006
 - Kompatybilność elektromagnetyczna (art. 3(1)(b)): EN 301 489-1 V1.8.1:2008, EN 301 489-3 V1.4.1:2002
 - Widmo radiowe (art. 3(2)(a)): EN 300 220-2 V2.1.2:2007
- Dyrektywa PARLAMENTU EUROPEJSKIEGO I RADY NR 2004/108/WE z dnia 15 grudnia 2004 r. w sprawie ujednoczenia prawodawstwa państw członkowskich w zakresie kompatybilności elektromagnetycznej, znosząca dyrektywę 89/336/EWG, zgodnie z następującymi normami zharmonizowanymi: EN 61000-6-2:2005, EN 61000-6-3:2007

Ponadto produkt jest zgodny z następującą dyrektywą w zakresie wymagań dotyczących maszyn nieukończonych:

- Dyrektywa PARLAMENTU EUROPEJSKIEGO I RADY NR 2006/42/WE z dnia 17 maja 2006 r. dotycząca maszyn, zmieniająca dyrektywę 95/16/WE (przekształcenie)
 - Niżej podpisany deklaruje, że stosowna dokumentacja techniczna została sporządzona zgodnie z załącznikiem VII B dyrektywy 2006/42/WE oraz, że spełnione zostały następujące wymagania podstawowe: 1.1- 1.1.2- 1.1.3- 1.2.1-1.2.6- 1.5.1-1.5.2- 1.5.5- 1.5.6- 1.5.7- 1.5.8- 1.5.10- 1.5.11
 - Producent zobowiązuje się do przekazania władzom krajowym, w odpowiedzi na uzasadnione zapytanie, informacji dotyczących maszyny nieukończony, zachowując całkowicie swoje prawa do własności intelektualnej.
 - Jeżeli maszyna nieukończona oddana zostanie do eksploatacji w kraju europejskim, którego język urzędowy jest inny niż język niniejszej deklaracji, importer ma obowiązek dołączyć do niniejszej deklaracji stosowne tłumaczenie.
 - Ostrzegamy, że maszyny nieukończony nie należy uruchamiać do czasu, kiedy maszyna końcowa, do której zostanie włączona, nie uzyska deklaracji zgodności (jeżeli wymagana,) z założeniami dyrektywy 2006/42/WE.

Ponadto produkt jest zgodny z następującymi normami: EN 60335-1:2002 + A1:2004 + A11:2004 + A12:2006 + A2:2006 + A13:2008; EN 60335-2-103:2003

Produkt jest zgodny z następującymi normami (w zakresie mających zastosowanie części): EN 13241-1:2003, EN 12445:2002, EN 12453:2002, EN 12978:2003

Oderzo, 23 maja 2011

Inż. Luigi Paro (Dyrektor Generalny)

DANE TECHNICZNE POSZCZEGÓLNYCH CZĘŚCI PRODUKTU

OSTRZEŻENIA:

- Produkt SHELKIT50 - SHELKIT75 został wyprodukowany przez firmę Nice S.p.a. (TV) Włochy.
- Wszystkie zamieszczone dane techniczne dotyczą temperatury otoczenia 20°C (± 5°C).
- Nice S.p.a. zastrzega sobie prawo wprowadzania w każdej chwili zmian w produkcie, zachowując jednak jego funkcje i przeznaczenie zastosowania.

SIŁOWNIK:	SHELKIT50	SHELKIT75
Zastosowane rozwiązanie	Silnik 24 V	
Zasilanie	230 Vac 50/60 Hz	
Maksymalny moment obrotowy przy ruszaniu	9 Nm	12 Nm
Nominalny moment obrotowy	6 Nm	7,5 Nm
Siła maksymalna	500 N	750 N
Siła nominalna	350 N	450 N
Maksymalna moc	200 W	280 W
Prędkość ruchu	0.07 ÷ 0.13 m/s	0.08 ÷ 0.14 m/s
Maksymalny czas pracy ciągłej	4 minuty	
Cykli/godz. przy nominalnym momencie obrotowym (20°)	8	
Zakres temperatur pracy	-20° C ÷ +50° C	
Wymiary	305 x 109 h x 130 (mm)	
Masa	4 kg	
Klasa izolacji	1	
Lampa ostrzegawcza	12V / 10W, cokol BA15	
Wejście STOP	Dla styków normalnie zamkniętych, normalnie otwartych lub ze stałą opornością 8,2 K; z funkcją samouczenia (zmiana w stosunku do wczytanego stanu powoduje polecenie "STOP").	
Wejście KROK PO KROKU	Dla styków normalnie otwartych	
Wejście FOTO	Dla urządzeń zabezpieczających ze stykami normalnie zamkniętymi	
Odbiornik radiowy	Wbudowany	
Funkcje możliwe do programowania	Możliwość zaprogramowania 4 funkcji (patrz punkt 6.3). Funkcja samouczenia się rodzaju urządzenia "STOP" (styk NO, NC lub oporność 8,2 K).	
Funkcje samouczące się	Samouczenie się pozycji otwarcia i zamknięcia bramy oraz obliczanie punktów zwolnienia ruchu i częściowego otwarcia.	
Stosowanie w otoczeniu kwaśnym, słonym lub zagrożonym wybuchem	Nie	
Stopień ochrony	IP40 (stosowanie w domu i chronionym otoczeniu)	
Trwałość oszacowana (*)	od 40.000 do 80.000 cykli manewrów	

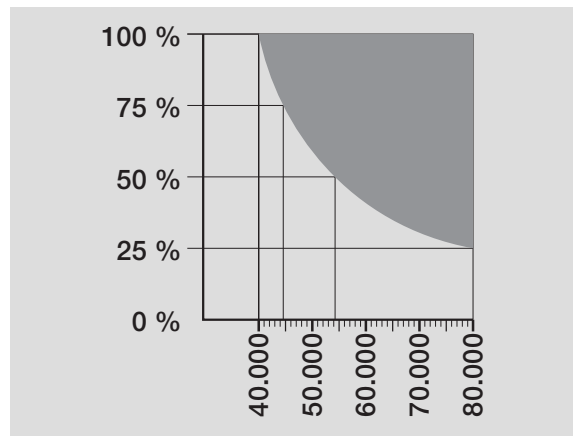
(*) **Pamiętaj** – Szacunkowa trwałość produktu zawiera się pomiędzy 40.000 a 80.000 cykli manewrów. W celu określenia prawdopodobnej trwałości danej automatyki wykonaj następujące czynności:

a) – oceń warunki użytkowania i siły występujące w danej instalacji, jak na przykład...

- masa i długość drzwi do garażu;
- idealne wyważenie drzwi do garażu;
- stan konserwacji zawiasów drzwi do garażu a;
- rodzaj skrzydła: ślepe lub z dużą ilością otworów;
- występowanie silnych podmuchów wiatru;
- częstotliwość użytkowania automatyki.

b) – po zakończeniu tej oceny otrzymasz wartość procentową, która określi większy lub mniejszy stopień zużycia automatyki.

c) – znajdź na wykresie obok obliczony procent (w punkcie "b") i sprawdź odpowiadającą mu liczbę cykli manewrów.



NADAJNIK FLO4R-S

OPIS	DANE
Typ	Nadajnik 4-kanalowy do sterowania radiowego
Częstotliwość	433.92 MHz
Kodowanie	Cyfrowe Rolling code 52 Bit, typu FLOR
Przyciski	4
Moc wyjściowa	100 µW
Zasilanie	12 Vdc z baterii typu 23 A
Długość życia baterii	1 rok, przy następujących założeniach: 20 poleceń/dziennie o długości 1s każde, w temperaturze 20°C (przy niskich temperaturach wydajność baterii spada)
Zakres temperatur pracy	-40 ÷ 85°C
Stopień ochrony	IP 40 (stosowanie w domu i chronionym otoczeniu)
Wymiary	72 x 40h x 18 mm
Masa	30 g

ALGEMENE AANBEVELINGEN EN VOORZORGSMAATREGELEN

STAP 1

- Veilig werken! 2
- Aanbevelingen voor het installeren 2

KENNIS VAN HET PRODUCT EN VOORBEREIDING VOOR DE INSTALLATIE

STAP 2

- 2.1 - Beschrijving van het product en gebruiksdoel 2
- 2.2 - Componenten voor het aanleggen van een complete installatie 3

STAP 3

- Controles voor het installeren 3
- 3.1 - Controleren van de geschiktheid van de omgeving en de te automatiseren deur 3
- 3.2 - Controleren van de gebruikslimieten van het product 3

STAP 4

- 4.1 - Voorbereidende werkzaamheden 3
- 4.1.1 - Karakteristieke referentie-installatie 3
- 4.1.2 - Vaststellen van de plaats van de verschillende componenten 3
- 4.1.3 - Vaststellen met welk schema de inrichtingen te verbinden 3
- 4.1.4 - Controleren van het voor het te verrichten werk benodigde gereedschap 3
- 4.1.5 - Uitvoeren van de voorbereidende werkzaamheden 3
- 4.2 - Leggen van de elektriciteitskabels 4

INSTALLATIE: MONTAGE EN AANSLUITINGEN VAN DE COMPONENTEN

STAP 5

- 5.1 - Installeren van de componenten van de automatisering 4
- 5.2 - Bevestigen van de automatisering aan de wand, het plafond en de deur 5

STAP 6

- Installeren en aansluiten van de in de installatie voorziene inrichtingen 5

AANSLUITING VAN DE STROOMVOORZIENING

- STAP 7 5

EERSTE INBEDRIJFSTELLING EN CONTROLE VAN DE ELEKTRISCHE AANSLUITINGEN

- STAP 8 6

PROGRAMMEREN VAN DE AUTOMATISERING

STAP 9

- 9.1 - Geheugenopslag van de zender mod. FLO4R-S 6
- 9.2 - Geheugenopslag van de eindstanden bij "opening" en "sluiting" van de deur 6

AFSTELLINGEN EN ANDERE OPTIONELE FUNCTIES

- 10 - Afstelling van de werking van de automatisering 6
- 11 - Geheugenopslag van een nieuwe zender met behulp van de procedure 'in de nabijheid' van de besturingseenheid 7
- 12 - Wissen van de gegevens uit het geheugen van de besturingseenheid 7

- WAT TE DOEN ALS... (gids voor het oplossen van problemen) 8

WERKZAAMHEDEN DIE AAN EEN BEVOEGDE TECHNICUS ZIJN VOORBEHOUDEN

- Aansluiting van de automatisering op het elektriciteitsnet 8
- Eindtest en inbedrijfstelling van de automatisering 8
- Afvalverwerking van het product 9
- EG-Verklaring van overeenstemming 9

TECHNISCHE KENMERKEN VAN DE VERSCHILLENDE PRODUCTONDERDELEN 10

GEBRUIKSHANDLEIDING VII

AFBEELDINGEN VIII - XIV

STAP 1

VEILIG WERKEN!

⚠ Let op – voor de veiligheid van mensen is het van belang deze aanwijzingen op te volgen.

⚠ Let op – Belangrijke aanwijzingen voor de veiligheid; bewaar daarom deze aanwijzingen.

Het ontwerp, de productie van de inrichtingen waaruit dit product bestaat, evenals deze handleiding beantwoorden volledig aan de thans geldende regelgeving op het gebied van veiligheid. Desondanks kan een foutief uitgevoerde installatie en programmering ernstig letsel kunnen toebrengen aan de personen die de werkzaamheden uitvoeren of aan hen die de installatie zullen gebruiken. Daarom is het van belang dat u tijdens de installatie alle aanwijzingen uit deze handleiding opvolgt.

Begin niet met de installatie indien u ook maar de minste twijfel heeft. Vraag eventueel uitleg aan de klantenservice van Nice.

Indien u voor het eerst een automatisering voor garagedeuren (sectionaal- of kanteldeuren) gaat uitvoeren, verdient het aanbeveling enige tijd aan het lezen van deze handleiding te besteden. Het is raadzaam dit te doen voordat u met de automatisering begint, dus zonder dat u onder tijdsdruk moet werken. Houd bovendien alle inrichtingen van het product bij de hand, zodat u alle informatie van deze handleiding kunt lezen, uitproberen en verifiëren (met uitzondering van de programmeerfase).

Bij het lezen van deze handleiding dient u speciaal te letten op die delen welke gemarkeerd zijn met het symbool:



Deze symbolen duiden onderwerpen aan die een mogelijke bron voor gevaar kunnen zijn en daarom dienen de uit te voeren handelingen uitsluitend door daartoe bevoegde en ervaren technici met inachtneming van deze aanwijzingen en de in dit land bestaande normen en wetten worden uitgevoerd:

⚠ AANBEVELINGEN VOOR HET INSTALLEREN

Volgens de meest recente Europese wetgeving dienen bij het monteren van een garagedeur de voorschriften zoals die zijn voorzien in de Richtlijn 98/37/EG (Machinerichtlijn) opgevolgd te worden en met name de normen EN 12445; EN 12453; EN 12635 en EN 13241-1, die een verklaring van vermoedelijke conformiteit van de automatisering mogelijk maken.

Met het oog hierop

moeten de definitieve aansluiting van de automatisering op het elektriciteitsnet, de eindtest van de installatie, de inbedrijfstelling daarvan alsook het periodieke onderhoud door daartoe bevoegd en ervaren personeel worden uitgevoerd, waarbij de aanwijzingen vervat in het kader "Werkzaamheden die aan een bevoegde technicus zijn voorbehouden" in acht dienen te worden genomen. Deze technicus moet bovendien bepalen welke tests in functie van de bestaande risico's noodzakelijk zijn en moet hij controleren of de wettelijke voorschriften, regelgeving en regels, en met name alle vereisten van norm EN 12445, die de testmethodes voor de controle van automatiseringen voor garagedeuren bepaalt, in acht zijn genomen. Daarentegen kunnen werkzaamheden in verband met de voorbereiding, installatie en programmering ook worden verricht door personeel dat niet speciaal geschoold is, mits alle in deze handleiding vervatte aanwijzingen nauwgezet en in de juiste volgorde in acht worden genomen, en dan met name de aanbevelingen van deze STAP 1.

Voordat u met het installeren begint, dient u de volgende analyses en controles te verrichten:

– controleer of de afzonderlijke voor de automatisering bestemde inrichtingen voor de aan te leggen installatie geschikt zijn. Controleer hiertoe met de grootst mogelijke aandacht de gegevens in de paragraaf "Technische gegevens". Begin niet met de installatie als er ook maar een enkele inrichting niet voor het gebruik geschikt is.

– ga na of de in de kit aanwezige inrichtingen voldoende zijn om te garanderen dat de installatie veilig is en goed werkt.

– maak een analyse van de risico's waarvan de lijst met essentiële veiligheidseisen zoals die voorzien zijn in Bijlage I van de Machinerichtlijn, deel uitmaakt, en geef de toegepaste oplossingen daarvoor aan. Wij maken u erop attent dat de risicoanalyse één van de documenten is die deel uitmaken van het "technisch dossier" van de automatisering. Deze dient door een erkende installateur te worden ingevuld.

Met het oog op de gevaarlijke situaties die zich bij het installeren en gebruiken van het product zouden kunnen voordoen, dient de automatisering met inachtneming van onderstaande aanbevelingen te worden geïnstalleerd:

– breng op geen enkel onderdeel van de automatisering wijzigingen aan, tenzij die in deze handleiding zijn voorzien. Dergelijke handelingen kunnen alleen maar storingen veroorzaken. De fabrikant wijst elke aansprakelijkheid voor schade tengevolge van willekeurig gewijzigde producten van de hand.

– zorg ervoor dat geen enkel deel van de automatisering in water of een andere vloeistof terecht kan komen. Zorg er tijdens de installatie ook voor dat er geen vloeistoffen in de reductiemotor of andere inrichtingen kunnen komen.

– sluit onmiddellijk de elektrische stroom af indien er een vloeistof in delen van de componenten van de automatisering is gekomen, en wend u tot de klantenservice van Nice. Indien de automatisering onder die omstandigheden toch wordt gebruikt, kan dit een gevaarlijke situatie veroorzaken.

– houd de verschillende componenten van de automatisering uit de buurt van relevante warmtebronnen en open vuur. Anders zouden ze schade kunnen oplopen of zouden er storingen, brand of gevaarlijke situaties kunnen ontstaan.

– elke handeling waarvoor het nodig is het beschermende omhulsel van een bepaalde component van de automatisering te openen, dient plaats te vinden terwijl de besturingseenheid van het elektriciteitsnet losgekoppeld is. Indien de ontkoppelingseenheid niet goed te zien is, dient u een bord aan te brengen met het opschrift: "LET OP ONDERHOUDSWERKZAAMHEDEN IN UITVOERING".

– het bedieningsknoppenpaneel aan de wand moet in het zicht van de automatisering worden geplaatst, maar ver uit de buurt van de bewegende delen ervan, op een hoogte van minimaal 1,5 m vanaf de vloer, en niet voor het publiek toegankelijk.

– controleer of er geen risico bestaat voor bekneling gedurende de *Sluitmanoeuvre*; installeer eventueel aanvullende veiligheidsinrichtingen.

– indien de te automatiseren poort voorzien is van een voetgangersdeur dient de installatie te worden uitgerust met een controlesysteem dat de werking van de motor blokkeert wanneer de voetgangersdeur geopend is.

– in het voedingsnet van de installatie dient een afkoppelingseenheid te worden geïnstalleerd met een openingsafstand tussen de contacten die een volledige afkoppeling toelaat in de condities die worden voorgeschreven door de overspanningscategorie III.

– indien de voedingskabel beschadigd is, dient deze te worden vervangen door Nice of een klantenservicecentrum van Nice of hoe dan ook door een persoon met een gelijksoortige kwalificatie, om ieder mogelijk risico te voorkomen.

– het product is niet bestemd om gebruikt te worden door personen (inclusief kinderen) wier fysieke, zintuiglijke of mentale vermogens beperkt zijn of die niet over genoeg ervaring of kennis beschikken, tenzij deze personen onder toezicht staan van een persoon die voor hun veiligheid verantwoordelijk is of instructies hebben ontvangen over het gebruik van het product.

– het product kan niet als een doelmatig beveiligingssysteem tegen indringers beschouwd worden. Indien u zich doelmatig wilt beveiligen, dient u de automatisering met andere inrichtingen aan te vullen.

– de besturingseenheid moet op een geaarde elektriciteitsleiding voor stroomvoorziening worden aangesloten.

– het product mag pas worden gebruikt, nadat de automatisering "in bedrijf is gesteld" zoals dat is voorzien in de paragraaf "Eindtest en inbedrijfstelling van de automatisering" in het kader "Werkzaamheden die aan een bevoegde technicus zijn voorbehouden".

– De afvalverwerking van al het verpakkingsmateriaal van de onderdelen van de automatisering moet helemaal volgens de plaatselijk geldende regels plaatsvinden.

KENNIS VAN HET PRODUCT EN VOORBEREIDING VOOR DE INSTALLATIE

STAP 2

2.1 – BESCHRIJVING VAN HET PRODUCT EN GEBRUIKSDOEL

In het algemeen gezegd dienen alle inrichtingen die tezamen dit product vormen voor het automatiseren van een garagedeur bij woningen te automatiseren (afb. 1). Het kan hier om een sectionaaldeur dan wel kanteldeur gaan; een kanteldeur kan dan buiten de gevel draaien (bij het openen steekt de deur buiten de gevel uit) of binnen de gevel blijven en voorzien zijn van veren of tegengewichten.

In het bijzonder is deze set uitsluitend bestemd voor het automatiseren van een sectionaaldeur. Voor het automatiseren van een kanteldeur dient er een speciale kantelarm te worden gemonteerd (mod. SPA5, accessoire dat niet in de verpakking zit).

Elk ander gebruik dat niet overeenkomt met wat beschreven is en onder andere omstandigheden dan wat in STAP 3 is aangeduid, dient als oneigenlijk gebruik te worden beschouwd en is dus verboden!

Dit product bestaande uit een elektromechanische reductiemotor met een gelijkstroommotor op 24V, een geleider, een ketting en een trekwagen. In de reductiemotor bevindt zich ook een besturingseenheid.

Deze besturingseenheid bestaat uit een elektronische kaart, een gebruikers-/signaleringslicht en een ingebouwde radio-ontvanger, plus de antenne die de door een zender verstuurd instructies opvangt.

De besturingseenheid is in staat verschillende soorten manoeuvres aan te sturen; elk daarvan kan op basis van de verschillende eisen geprogrammeerd en gebruikt.

Bovendien zijn er verschillende speciale functies beschikbaar waardoor het mogelijk is de werking van de automatisering aan de persoonlijke wensen aan te passen.

De automatisering is gereed voor het gebruik van verschillende accessoires die de functionaliteit daarvan verhogen en de veiligheid garanderen. Met name: de besturingseenheid kan tot 150 toetsen van zenders mod. FLO4R-S en tot 4 stel fotocellen, mod. MOF/MOFO in het geheugen opslaan.

Het product werkt op stroom die van het elektriciteitsnet afkomstig is; in geval van stroomuitval (*black-out*) biedt het de mogelijkheid de deur "met de hand" te manoeuvreren; hiervoor ontgrendelt u de trekwagen met het daarvoor bestemde koordje.

2.2 – COMPONENTEN VOOR HET AANLEGGEN VAN EEN COMPLETE INSTALLATIE

Afb. 2 laat alle componenten zien die voor het aanleggen van een complete installatie nuttig zijn, zoals die op afb. 8 te zien is.

AANBEVELING!

Enkele componenten die op afb. 2 zijn afgebeeld, zijn niet standaard en het kan zijn dat die niet in de verpakking zitten.

Lijst van de nuttige componenten:

- [a] - elektromechanische reductiemotor
- [b] - geleider uit één stuk
- [c] - beugels om de reductiemotor aan het plafond te bevestigen
- [d] - beugels om de geleider aan de wand te bevestigen
- [e] - mechanische stop om de wagen bij de eindpositie te laten stoppen
- [f] - terugloop van de ketting
- [g] - trekkettin
- [h] - trekstang van de deur (alleen voor sectionaaldeuren)
- [i] - trekwagen
- [l] - koordje met knop voor het ontgrendelen van het automatisme
- [m] - beugel voor het koppelen van de trekstang aan de deur
- [n] - kantelarm en de trekstang daarvan (mod. SPA5, alleen voor kanteldeuren)
- [o] - stel fotocellen (voor aan de wand) mod. MOF/MOFO
- [p] - (hand) zender mod. FLO4R-S
- [q] - radiografisch bedieningspaneel mod. MOTXR (voor aan de wand)
- [r] - metalen verbruiksmateriaal (schroeven, borgringetjes, etc.)*

(* **N.B.** – De schroeven die nodig zijn om de componenten aan de muur te bevestigen zijn niet in de verpakking inbegrepen. Het type schroeven hangt namelijk af van het materiaal en de dikte van de muur waar zij voor zullen worden gebruikt.

STAP 3

CONTROLES VOOR HET INSTALLEREN

Voordat u gaat installeren, dient u te controleren of de onderdelen van het product intact zijn en het uitgekozen model en de voor installatie bestemde omgeving geschikt is.

BELANGRIJK – De reductiemotor kan geen deur automatiseren die niet al goed en veilig functioneert. Evenmin kan zij defecten verhelpen die het gevolg zijn van een verkeerd uitgevoerde installatie van de deur of slecht onderhoud daaraan.

3.1 – CONTROLEREN VAN DE GESCHIKTHEID VAN DE OMGEVING EN DE TE AUTOMATISEREN DEUR

- Bij een automatisering met een buiten de gevel draaiende kanteldeur dient u na te gaan of de deur geen obstakel op de openbare weg (ook het trottoir) vormt.
- Controleer of de mechanische structuur van de deur geschikt is om conform de in uw land van kracht zijnde voorschriften geautomatiseerd te worden.
- Controleer of de mechanische structuur van de deur stevig genoeg is en vergewis u ervan dat de deur niet uit zijn geleiders kan lopen.
- Controleer wanneer u de deur handmatig *opent* en *sluit*, of tijdens de manoeuvre de wrijving op elk punt gelijkmatig en constant is (*er mogen geen momenten met een grotere belasting voorkomen*).
- Controleer of de deur goed uitgebalanceerd is, d.w.z. de deur mag niet in beweging komen wanneer de manoeuvre op een willekeurige stand (handmatig) onderbroken wordt.
- Controleer of de ruimte rond de reductiemotoren groot genoeg is om de deur gemakkelijk en veilig handmatig te kunnen ontgrendelen.
- Controleer of de door u gekozen plaats voor het installeren van de verschillende inrichtingen stevig genoeg is en een stabiele bevestiging gegarandeerd is.
- Controleer of alle te installeren inrichtingen aangebracht zijn op een veilige en tegen stoten beschermde plaats.
- Controleer of de uitgekozen bevestigingsvlakken van de fotocellen goed vlak zijn waardoor een goede uitlijning tussen de fotocellen mogelijk is.

3.2 – CONTROLEREN VAN DE GEBRUIKSLIMIETEN VAN HET PRODUCT

Om vast te stellen of het product geschikt is voor de specificaties van uw deur en de specifieke context van de automatisering is het noodzakelijk onderstaande controles uit te voeren en te controleren of zij in overeenstemming zijn met de technische gegevens in deze paragraaf alsook die welke vervat zijn in hoofdstuk "Technische gegevens van het product".

- Controleer of de deur qua afmetingen en gewicht binnen onderstaande grenzen valt:

	SHEL50KIT	SHEL75KIT
Sectionaaldeuren	350 x 240 cm	400 x 240 cm
Buiten de gevel draaiende kanteldeuren	350 x 280 cm	400 x 280 cm
Binnen de gevel blijvende kanteldeuren	350 x 220 cm	400 x 220 cm

N.B. – Als gevolg van de vorm van de deur of bepaalde weersomstandigheden (bijvoorbeeld de aanwezigheid van harde wind), kunnen deze maximumwaarden lager komen te liggen. In dit geval is het belangrijk de kracht te meten die vereist is om de deur onder de meest ongunstige omstandigheden te verplaatsen, en die met de in de technische kenmerken van de reductiemotor vermelde gegevens te vergelijken.

- Controleer of de plaats van bevestiging voor de reductiemotor en de geleiderail in overeenstemming is met de buitenmaten van de automatisering. Controleer vervolgens of het mogelijk is de op afb. 3, 4 en 5 aangewezen minimale en maximale ruimten aan te houden.

Let op! – Als het resultaat van deze controles niet in overeenstemming met de voorschriften is, kan dit model niet gebruikt worden om uw deur te automatiseren.

STAP 4

4.1 – VOORBEREIDENDE WERKZAAMHEDEN

4.1.1 – Karakteristieke referentie-installatie

Op afb. 6, 7, 8 ziet u een voorbeeld van automatisering zien die tot stand is gekomen met de verschillende onderdelen die compatibel zijn met dit product. Deze componenten worden geplaatst en geassembleerd volgens een karakteristiek en gebruikelijk schema. Dit zijn:

- a - Elektromechanische reductiemotor
- b - Geleiderails voor de wagen
- c - Trekwagen
- d - Mechanische stop voor het laten stoppen van de wagen in de eindpositie
- e - Knop voor het handmatig ontgrendelen van de wagen
- f - Beugel om de wagen aan de deur te koppelen
- g - Stel fotocellen (voor aan de wand) mod. MOF/MOFO
- h - Radiografisch bedieningspaneel (voor aan de wand) mod. MOTXR
- i - Handzender mod. FLO4R-S
- l - Knop

4.1.2 – Vaststellen van de plaats van de verschillende componenten

Gebruik afb. 6, 7 en 8 als voorbeeld voor het ongeveer vaststellen van de plaats waar u de verschillende componenten zoals die in de installatie zijn voorzien, gaat installeren.

4.1.3 – Vaststellen met welk schema de inrichtingen te verbinden

Raadpleeg afb. 10 en STAP 6 om vast te stellen met welk schema u de inrichtingen van de installatie gaat verbinden.

4.1.4 – Controleren van het voor het te verrichten werk benodigde gereedschap

Voordat u het product gaat installeren dient u zich ervan te vergewissen over al het gereedschap en het materiaal te kunnen beschikken dat nodig is voor het uitvoeren van de werkzaamheden (zie voorbeeld op afb. 9). Controleer bovendien of dit in goede staat verkeert en in overeenstemming is met de plaatselijke regelgeving inzake veiligheid.

4.1.5 – Uitvoeren van de voorbereidende werkzaamheden

U kunt nu de sleuven voor de buizen van de elektriciteitskabels trekken of, als alternatief, kabelgootjes voor buiten aanleggen, bovengenoemde buizen in het cement vastzetten of andere voorbereidingen treffen die ertoe dienen de omgeving klaar te maken voor de hierna komende installatiewerkzaamheden.

LET OP! – Plaats de uiteinden van de buizen voor doorvoer van elektriciteitskabels vlakbij het punt waar de verschillende componenten zullen worden bevestigd.

N.B.:

- De buizen hebben tot doel de elektriciteitskabels te beschermen en onvoorzien breuk daarvan te voorkomen, zoals bijvoorbeeld bij stoten.
- De "vaste" bedieningsorganen dienen zo geplaatst te worden dat de deur zichtbaar is, maar uit de buurt van de bewegende delen hiervan en op een hoogte van meer dan 150 mm.

4.2 – LEGGEN VAN DE ELEKTRICITEITSKABELS

Met uitsluiting van de voedingskabel en –stekker werkt de rest van de installatie helemaal op laagspanning (circa 24 V); daarom kunnen de kabels ook door niet speciaal gekwalificeerd personeel aangelegd worden; wel dienen echter alle voorschriften van deze handleiding opgevolgd te worden. Voor het leggen van de elektriciteitskabels gelieve u **afb. 10** als leidraad te nemen bij het vaststellen van het soort kabel dat u voor een bepaalde aansluiting wilt gebruiken.

AANBEVELINGEN:

– Tijdens het leggen van de elektriciteitskabels mag u GEEN enkele elektrische verbinding tot stand brengen.

– Laat door een bevoegde elektricien een adequaat beschermd “Schuko” stopcontact van 16A installeren, waar u de stekker van de reductiemotor in kunt steken. Het stopcontact moet zo geplaatst worden dat nadat de stekker van de voedingskabel erin is gestoken, de kabel niet komt te hangen bij bewegende delen of in gevarenczones.

Technische gegevens van de elektriciteitskabels (N.B. 1)

	Inrichtingen	Klemmetjes	Functie	Type kabel	Maximaal toegestane lengte
A	Veiligheidsfotocellen	3 - 5	Ingang FOTO	TX Kabel 2 x 0,25 mm ² RX Kabel 3 x 0,25 mm ²	20 m (N.B. 2) 20 m (N.B. 2)
B	Knop voor instructie	3 - 4	Ingang STAP-VOOR-STAP	Kabel 2 x 0,25 mm ²	20 m (N.B. 2)
C	Knop voor veiligheid - Contactlijsten - etc.	1 - 2	Ingang STOP	Kabel 2 x 0,25 mm ²	20 m (N.B. 2)

N.B. 1 – De voor de aanleg van de installatie benodigde kabels (niet aanwezig in de verpakking) kunnen verschillen op grond van het aantal en het soort inrichtingen van de installatie.

N.B. 2 – De aansluitingen op de klemmetjes 1- 2 (Stop), 4 - 5 (Stap-voor-Stap) en 3 - 5 (Foto) kunnen ook tot stand worden gebracht door één enkele kabel met verschillende aders te gebruiken.

LET OP! – De gebruikte kabels moeten geschikt zijn voor de omgeving waarin zij worden geïnstalleerd; voor het installeren in een ruimte binnenshuis is het bijvoorbeeld raadzaam een kabel van het type H03VV-F te gebruiken.

INSTALLATIE: MONTAGE EN AANSLUITING VAN DE COMPONENTEN

STAP 5

5.1 – INSTALLEREN VAN DE COMPONENTEN VAN DE AUTOMATISERING

AANBEVELINGEN

• Een verkeerd uitgevoerde installatie kan ernstige verwondingen toebrengen aan degene die het werk verricht en aan de mensen die de installatie zullen gebruiken.

• Voordat u met het assembleren van de automatisering begint, voert u de controles vooraf uit zoals die in STAP 3 zijn beschreven.

Nadat de elektriciteitskabels zijn aangebracht begint u met het assembleren van de mechanische delen met betrekking tot de geleiderail en de reductiemotor, waarbij u onderstaande volgorde toepast.

01. Steek de geleiderail in de daarvoor bestemde plaats op de reductiemotor (**afb. 11**).
02. Steek de mechanische eindstop (a) in de geleiderail en verplaats hem naar de reductiemotor; zet daarna de plaat (b) op de eindstop en zet alles met een schroef (**afb. 12**) vast. **N.B.** – De schroef mag NIET te vast worden aangedraaid omdat het later nog nodig zal zijn de eindstop op de definitieve plaats te zetten.
03. Zet met twee schroeven de uiteinden van de ketting in de groeven van de plaat van de wagen (**afb. 13**) vast.
04. Bevestig de twee platen van de wagen aan elkaar; steek de schroef in de steun van de teruglooppoelie; plaats de teruglooppoelie in de ketting en assembleer dit alles via de meegeleverde pin (**afb. 14**) met de terugloopbeugel.
05. Breng de ketting en de wagen binnen de geleiderail aan en let daarbij op het volgende:
Afb. 15-a) plaats de kant van de wagen met daarop de met schroeven bevestigde ketting aan dezelfde kant waar de dekplaat van de besturings-eenheid zich bevindt;
Afb. 15-b) zet de wagen ongeveer halverwege de geleiderail.
06. Laat de ketting over het rondsel van de reductiemotor lopen en sluit het geheel met het veiligheidsdeksel (**afb. 16**).
07. Breng de beugel op het uiteinde van de geleiderail aan. Zet alles vast met borgring en moer (**afb. 17**).
08. Breng de ketting in spanning door de moer op de schroef van de terug-

loopbeugel aan te draaien (**afb. 18**). **LET OP!** – als de ketting te strak is aangespannen, kan deze de reductiemotor teveel belasten en kapotmaken, als de ketting te slap is, kan dit vervelende geluiden veroorzaken.

09.

ALLEEN VOOR KANTELDEUREN

Als de te automatiseren deur een kanteur betreft (buiten de gevel draaiend of binnen de gevel blijvend), dient u de speciale Kantelarm mod. SPA5 te installeren (**afb. 19**). Assembleer vervolgens de verschillende componenten van de arm. **BELANGRIJK** – Het verdient aanbeveling de arm zo dicht mogelijk naast de handgreep van de deur te brengen. Voor het monteren van de trekstang, gelieve u punt 10 te raadplegen.

N.B. – Kijk voor montage van dit accessoire gelieve u de aanwijzingen in de verpakking daarvan te volgen.

10. LET OP ! – Als het om een kanteur gaat dient u voor deze handelingen de trekstang te gebruiken die bij de kantelarm is meegeleverd.

Voordat u de trekstang gaat monteren dient u deze op een zodanige lengte af te zagen dat de aanbevolen waarde E op **afb. 3** in acht kan worden genomen. Bevestig daarna het ene uiteinde van de trekstang met schroeven en moeren aan de beugel (die vervolgens op de deur of op de al kantelarm dient te worden bevestigd) en het andere uiteinde aan de wagen (**afb. 20**).

11. Bevestig het ene uiteinde van het koordje voor handmatige ontgrendeling aan de wagen en het andere uiteinde aan de knop (**afb. 21**). **N.B.** – Zorg ervoor dat de knop van de handmatige ontgrendeling van de grond af bereikbaar is, op een hoogte van 180 cm of minder.

BELANGRIJK! – Verricht onderstaande handelingen terwijl u de deur DICHT houdt

12. • Als het om een SECTIONAALDEUR gaat: stel de lengte van de waarde B vast rekening houdende met de waarden A en E (**afb. 3**).
• Als het om een KANTELDEUR gaat: stel de lengte van de waarde B rekening houdende met de waarde F (**afb. 4**).
N.B. – Als de waarden A, E of F geen beletsel daarvoor vormen, kan de automatisering ook aan het plafond worden bevestigd (minimum 4 mm).
13. Buig de twee beugels voor bevestiging van de geleiderail aan het plafond in een “L” en monteer ze met schroeven en moeren in de nabijheid van de reductiemotor (**afb. 22**).
N.B. – kies op de beugels die boring welke u de mogelijkheid geeft de op punt 12 vastgestelde waarde B zo dicht mogelijk te benaderen.

5.2 – BEVESTIGEN VAN DE AUTOMATISERING AAN DE WAND, HET PLAFOND EN DE DEUR

Na assemblage van de geleiderail en de reductiemotor gaat u de automatisering aan de wand, het plafond en de deur bevestigen waarbij u onderstaande volgorde dient aan te houden.

01. Met behulp van trappen, stangen of dergelijke tilt u de reductiemotor van de grond en plaatst hem in de hoogte en wel zo dat de beugels van de geleiderail tegen het plafond en de wand boven de deur rusten (afb. 23). **BELANGRIJK** – (afb. 23-a) lijn de geleiderail en de reductiemotor op de verticale as van de deur uit en haaks daarop (hoek van 90°). **N.B.** – In geval van kanteldeuren moet de geleiderail worden uitgelijnd in overeenstemming met de kantelarm.
Controleer ook of de waarden **A, B, C** en **E** op afb. 3 en **B** en **F** op afb. 4 in acht zijn genomen
02. Controleer of de geleiderail volkomen horizontaal loopt en teken de 4 bevestigingspunten van de beugels af; boor ze uit en steek de pluggen erin (afb. 24).
03. Zet de automatisering met de voor het materiaal geschikte schroeven en pluggen aan het plafond en aan de wand vast (afb. 25).
N.B.:
 - Op basis van het type wand en het materiaal daarvan kan de beugel op het uiteinde van de geleiderail met nagels of schroeven en pluggen worden bevestigd.
 - Besteed aandacht aan de keuze van de methode voor bevestiging van de plafond- en wandbeugels, omdat:
 - de beugel aan de kop van de geleiderail de belasting moet kunnen verdragen die nodig is om de deur te openen en te sluiten;
 - de plafondbeugels het gewicht van de reductiemotor moeten dragen.In beide gevallen dient u rekening te houden met slijtage en vervormingen die zich mettertijd kunnen voordoen.
04. Zaag met een zaagje het overtollige deel van de aan het plafond bevestigde beugels af (afb. 26).
05. (Bij gesloten deur) Trek aan de knop om de wagen los te haken en hem zover te verschuiven dat de verankeringsbeugel komt te rusten op de bovenrand van de sectionaaldeur of tot de aansluiting van de kantelarm (kanteldeur). Lijn daarna de trekstang langs de loop van de geleiderail uit en bevestig de beugel met nagels of schroeven, al naar gelang het materiaal van de deur, op de deur (afb. 27).
06. Draai de schroef van de mechanische eindstop iets los en open de deur handmatig tot de deur compleet open is (afb. 28).
07. Verplaats de mechanische eindstop in de richting van de wagen en zet hem daar tegenaan. Zet de mechanische eindstop vervolgens definitief vast door de schroef helemaal vast te draaien (afb. 29).
N.B. – Bij normale werking zal de wagen enkele centimeters voor de mechanische stop tot stilstand komen.
08. Blokkeer de wagen nu opnieuw en sluit de deur handmatig tot u een duidelijke klik hoort.

STAP 6

Nadat u alle inrichtingen die in de installatie zijn voorzien, hebt geïnstalleerd – elk op de plaats zoals die in STAP 4 is voorzien – dient u alle inrichtingen als volgt op de besturingseenheid aan te sluiten.

LET OP! – Een verkeerd uitgevoerde aansluiting kan schade of een gevaarlijke situatie ten gevolge hebben; houd u daarom nauwgezet aan de aangegeven aansluitingen.

01. Draai met een schroevendraaier de schroef van de dekplaat van de besturingseenheid los en haal die naar buiten weg (afb. 30), zodat u bij de klemmetjes voor de elektrische aansluitingen op de besturingseenheid kunt komen.
02. Breek met diezelfde schroevendraaier de openingen open die noodzakelijk zijn voor de doorvoer van de elektriciteitskabels (afb. 31) die van de verschillende in de installatie gemonteerde inrichtingen afkomstig zijn.
03. Sluit daarna via de klemmenstrip met vijf klemmetjes de elektriciteitskabels van de verschillende inrichtingen op de besturingseenheid aan (afb. 32).

LET OP – Het stuk elektriciteitskabel dat de klemmetjes 3 en 5 verbindt mag alleen worden verwijderd als er fotocellen worden geïnstalleerd.

Om deze aansluitingen correct uit te voeren dient u als volgt te werk te gaan.

• **Voor het aansluiten van een stel fotocellen als veiligheidsinrichting**
In de installatie kunnen één of meer stellen fotocellen geïnstalleerd worden die een veiligheidsfunctie hebben. Als er verschillende stellen fotocellen worden geïnstalleerd moeten deze onderling “serieel” geschakeld worden en moet de ketting op de klemmetjes 3 en 5 van de besturingseenheid worden aangesloten. Sluit tenslotte de stroomtoevoer daarvoor op de klemmetjes 2 en 3 aan (zie het voorbeeld op afb. 33 en 34).

Tijdens de sluitmanoeuvre heeft inwerkingtreding van deze fotocellen tot gevolg dat de manoeuvre onderbroken wordt en dat er onmiddellijke terugloop plaatsvindt.

• **Voor het aansluiten van een knop van het type “NO” die gebruikt wordt voor het aansturen van manoeuvres**

In de installatie kan een knop van het type “NO” worden geïnstalleerd, dat wil zeggen “normaal open” om de manoeuvre met de modus “Stap-voor-stap” te bedienen (zie voor verdere details over deze modus STAP 9). Sluit deze knop op de klemmetjes 3 en 4 van de besturingseenheid aan.

N.B. – Als er meerdere knoppen worden geïnstalleerd om de manoeuvres aan te sturen, dient u deze onderling “parallel” te schakelen, zoals dat te zien is op het voorbeeld op afb. 35 en 36.

• **Voor het aansluiten van veiligheidsinrichtingen anders dan fotocellen**

Behalve de fotocellen kunnen er in de installatie ook andere veiligheidsinrichtingen zijn geïnstalleerd met verschillende soorten contacten.

Dit zijn:

- inrichtingen met een contact dat “normaal open” is (“NO”);
- inrichtingen met een contact dat “normaal dicht” is (“NC”);
- inrichtingen met een constante weerstand van 8,2 KΩ.

Deze inrichtingen moeten worden aangesloten op de klemmetjes 1 en 2 van de besturingseenheid; het is bovendien mogelijk ook meer dan een inrichting op diezelfde klemmetjes aan te sluiten; u gaat hiervoor als volgt te werk:

A) – voor het onderling aansluiten van een aantal inrichtingen van het type “NO” dient u een aansluitschema met “parallelschakeling” toe te passen zoals dat te zien is op het voorbeeld van afb. 37.

B) – voor het onderling aansluiten van een aantal inrichtingen van het type “NC” dient u een aansluitschema met “seriele schakeling” toe te passen zoals dat te zien is op het voorbeeld van afb. 38.

C) – voor het onderling aansluiten van een aantal inrichtingen met constante weerstand van 8,2 KΩ dient u een aansluitschema met “parallelschakeling” toe te passen waarbij u de weerstand (8,2 KΩ) op de laatste inrichting plaatst, zoals dat te zien is op het voorbeeld van afb. 39.

D) – voor het onderling aansluiten van een aantal inrichtingen met verschillende soorten contacten (“NO”, “NC” en constante weerstand van 8,2 KΩ), dient u een gemengd aansluitschema toe te passen met “seriele schakeling” en “parallelschakeling” zoals dat te zien is op het voorbeeld van afb. 40.

N.B. – Alleen de veiligheidsinrichtingen welke een uitgang met een constante weerstand van 8,2 KΩ hebben, garanderen de veiligheidscategorie 3 tegen storingen volgens de norm EN 954-1.

Wanneer deze veiligheidsinrichtingen in werking treden heeft dit onderbreking van de manoeuvre van dat moment ten gevolge alsook een korte terugloop.

• **Stroomvoorziening van inrichtingen die in dit hoofdstuk niet zijn genoemd**

In de installatie kunnen nog andere inrichtingen worden aangesloten die hier niet zijn genoemd, zoals bijvoorbeeld een universele relaisontvanger. Deze inrichtingen moeten worden aangesloten op de klemmetjes 2 en 3 op de besturingseenheid. **Let op!** – Op de klemmetjes 2 en 3 staat een spanning van 24 Vcc en wordt een stroom van 100 mA geleverd. De som van de door de verschillende op deze klemmetjes aangesloten inrichtingen mag deze waarde niet overschrijden.

AANBEVELINGEN – Na afloop van deze werkzaamheden zet u alle kabels met behulp van de daarvoor bestemde bandjes vast en zet u tenslotte de dekplaat weer op de besturingseenheid.

AANSLUITING VAN DE STROOMVOORZIENING

STAP 7

AANBEVELINGEN!

– De voedingskabel van PVC die bij het product wordt meegeleverd, is geschikt om binnenshuis te worden geïnstalleerd.

– De definitieve aansluiting van de automatisering op het elektriciteitsnet of de vervanging van de meegeleverde kabel mag uitsluitend door een bevoegde en ervaren elektricien worden verricht met inachtneming van de veiligheidsregels zoals die in dat gebied van kracht zijn en de aanwijzingen in het kader “Werkzaamheden die aan een bevoegde technicus zijn voorbehouden”.

Voor het uitvoeren van werkingstests en het programmeren van de automatisering, zet u de besturingseenheid onder stroom door de stekker van de meegeleverde voedingskabel in een elektrisch stopcontact (afb. 41) te steken. Als het stopcontact zich ver van de automatisering bevindt, kunt u in deze fase een verlengsnoer gebruiken.

EERSTE INBEDRIJFSTELLING EN CONTROLE VAN DE ELEKTRISCHE AANSLUITINGEN

STAP 8

LET OP! – Alle hieronder in deze handleiding beschreven handelingen zullen worden verricht op elektrische circuits die onder stroom staan; de manoeuvres kunnen dus gevaarlijk zijn! Let bij het werk dus goed op!

Nadat u de besturingseenheid onder spanning hebt gezet (afb. 41) voert u de hieronder opgesomde handelingen uit, waarbij u dient te controleren of de resultaten in overeenstemming zijn:

- Onmiddellijk nadat de besturingseenheid is aangezet, knippert de rode led (afb. 42) enkele seconden heel snel; daarna gaan de groene en rode led beurtelings branden; tenslotte gaat de groene led uit en de rode blijft regelmatig knipperen met een ritme van één knippering per seconde (= de besturingseenheid werkt normaal).

Let op! – Als de rode led niet knippert zoals hier beschreven is, is het raadzaam de elektrische stroomtoevoer naar de besturingseenheid te onderbreken en de verrichte aansluitingen nauwkeuriger te controleren (raadpleeg ook het hoofdstuk "Wat te doen als...").

- Als er fotocellen in de installatie zijn geïnstalleerd, dient u op de RX te controleren of de led uit (= reguliere werking) of aan (= aanwezigheid van een obstakel). Als de led daarentegen knippert, wil dit zeggen dat het signaal niet erg duidelijk is en wordt gehinderd door een foutieve uitlijning van de twee fotocellen.

- Als er een radiografisch bedieningspaneel in de installatie is geïnstalleerd, dient u te controleren of dat goed werkt; u kunt hiervoor de handleiding in kwestie gebruiken.

PROGRAMMEREN VAN DE AUTOMATISERING

STAP 9

AANBEVELINGEN bij het programmeren:

- Het verdient aanbeveling eerst de procedures te lezen en daarna de handelingen te verrichten, waarbij de passages van elke procedure achter elkaar dienen te worden uitgevoerd.

- In deze handleiding worden de 'toetsen van de zenders met nummers aangegeven'. Raadpleeg dan ook afb. 43 voor het verband tussen deze nummers en de toetsen van de zender.

9.1 – GEHEUGENOPSLAG VAN DE ZENDER mod. FLO4R-S

Om de automatisering met de zender te kunnen aansturen, dienen de toetsen daarvan in het geheugen van de besturingseenheid te worden opgeslagen. Hierbij kunt u aan elke toets de door u gewenste instructie geven, waarbij u uit onderstaande functies kunt kiezen:

1 = Stap-voor-stap: komt overeen met de reeks ... *Open - Stop - Sluit - Stop* ... De eerste instructie activeert het *Openen*; de daaropvolgende geeft, terwijl de deur in beweging is, de instructie *Stop*; de derde het *Sluiten*; de vierde geeft, terwijl de deur in beweging is, de instructie *Stop* en zo voort...

2 = Stap-Open: komt overeen met de reeks ... *Open - Stop - Sluit - Open* ... De eerste instructie activeert het *Openen*; daaropvolgende geeft, terwijl de deur in beweging is, de instructie *Stop*; de derde het *Sluiten*; de vierde geeft, terwijl de deur in beweging is, de instructie *Open* en zo voort...

3 = Gedeeltelijke opening: komt overeen met een korte opening van de deur. Deze instructie heeft alleen gevolg als de deur helemaal dicht is.

4 = Gebruikerslicht: ... *On - Off - On* ...

Een enkele uitvoering van de procedure slaat een enkele toets van de zender in het geheugen op; deze kan zowel in het geheugen van op deze besturingseenheid alsook van besturingseenheden van andere automatiseringen worden opgeslagen. Het geheugen van de besturingseenheid kan tot 150 toetsen bevatten.

Voor elke toets die u in het geheugen wilt opslaan, dient u onderstaande procedure opnieuw uit te voeren.

01. Beslis welke toets op de zender u in het geheugen wilt opslaan (voorbeeld: *toets T3*).

02. Beslis welke instructie u uit de eerder opgesomde instructies aan de uitgekozen toets wilt koppelen (voorbeeld: *instructie "2"*).

03. Druk op toets "P1" (op de besturingseenheid) zoveel maal als overeenkomt met het nummer van de gewenste instructie (in ons voorbeeld, "2" maal) en controleer of de groene led hetzelfde aantal kortdurende knijperige afgeeft (deze worden in een regelmatig ritme herhaald).

04. (binnen 10 seconden) Houd op de zender de toets die u in het geheugen wilt opslaan (in ons voorbeeld, toets T3), tenminste 2 seconden lang ingedrukt.

Als de geheugenopslag tot een goed einde is gekomen zal de groene led 3 langdurige knipperingen afgeven (= geheugenopslag ok). **N.B.** – Voordat er 10 seconden om zijn, is het mogelijk een toets van een NIEUWE zender met dezelfde instructie in het geheugen op te slaan (dit is handig wanneer er bijvoorbeeld meerdere zenders op dezelfde besturingseenheid in het geheugen moeten worden opgeslagen).

Indien dat niet nodig is, wacht u dat de groene led uitgaat (= procedure beëindigd) en dat de rode led opnieuw met een regelmatig ritme zal gaan knipperen.

9.2 – GEHEUGENOPSLAG VAN DE EINDSTANDEN BIJ "OPENING" EN "SLUITING" VAN DE DEUR

De eindstand "Sluiting" (B - afb. 44) komt overeen met het punt waarop de deur helemaal dicht is en de eindstand "Opening" (A - afb. 44) met het punt waarop de deur helemaal open is.

In deze fase van de installatie dient de besturingseenheid de standen van de maximale "Sluiting" en "Opening", alsook de configuratie van de ingang STOP te leren herkennen en in het geheugen op te slaan; hiervoor gebruikt u onderstaande procedure:

LET OP! – Onderstaande handelingen kunnen alleen met behulp van de toets "P1" op de besturingseenheid van de reductiemotor worden uitgevoerd.

01. Ga na of de trekwagen is aangehaakt.

02. Druk lang (circa 5 seconden) op de toets "P1" op de besturingseenheid tot de rode led gaat branden; laat daarna de toets los.

03. Nu zal de besturingseenheid uit zichzelf 3 manoeuvres achter elkaar starten (Sluiting - Opening - Sluiting), waarbij de twee eindstanden automatisch in het geheugen worden opgeslagen. **N.B.** – Tijdens het uitvoeren van de 3 manoeuvres knippert het gebruikerslicht

Let op! – Als gedurende de 3 manoeuvres een veiligheidsinrichting in werking treedt of er per ongeluk op de toets "P1" wordt gedrukt, onderbreekt de besturingseenheid onmiddellijk de gehele procedure en annuleert ze die procedure. In dat geval zult u de procedure van het begin af opnieuw moeten uitvoeren.

04. Geef tenslotte met de toets T1 op de afstandsbediening de instructie voor 3 of 4 complete openings- en sluitmanoeuvres (deze manoeuvres dienen ertoe dat de besturingseenheid de waarden van de kracht in het geheugen kan opslaan, die nodig is om de deur op elk punt van haar loop te kunnen verplaatsen).

Let op! – Deze manoeuvres mogen niet worden onderbroken; als dat toch gebeurt, dient u de gehele procedure vanaf het begin opnieuw uit te voeren.

LET OP! – Als tijdens het zoeken naar de standen de ketting op de poelie van het motorrondeel slijpt, u een ritmisch geluid hoort wil dat zeggen dat de ketting niet strak genoeg is aangespannen. In dat geval dient u de procedure te onderbreken door op de toets "P1" op de besturingseenheid te drukken, de ketting aan te spannen door de moer te draaien en de gehele procedure vanaf het begin opnieuw uit te voeren.

Deze procedure kan ook op een ander moment opnieuw worden uitgevoerd: bijvoorbeeld na een eventuele verplaatsing van de mechanische eindstop op de geleider.

AFSTELLINGEN EN ANDERE OPTIONELE FUNCTIES

De besturingseenheid heeft enkele optionele functies waarmee het mogelijk is andere specifieke taken door de automatisering te laten uitvoeren, waardoor deze aan uw persoonlijke eisen kan worden aangepast.

10 – AFSTELLEN VAN DE WERKING VAN DE AUTOMATISERING

Om de werking van de automatisering aan de persoonlijke eisen aan te passen is het mogelijk sommige functies te activeren of te deactiveren en de waarde daarvan af te stellen. Deze functies zijn:

- **AUTOMATISCHE SLUITING.** Wanneer deze functie actief is, zal de besturingseenheid na afloop van een door de gebruiker gevraagde *openingsmanoeuvre* de deur automatisch na verloop van een bepaalde tijd laten sluiten.

- **SNELHEID VAN DE MANOEUVRE.** Met deze functie kunt u de gewenste snelheid instellen waarmee de automatisering de deur laat bewegen.

- **GEVOELIGHEID TEN OPZICHTE VAN OBSTAKELS.** Als een onvoorziene obstakel (een windstoot, een voertuig, een persoon etc.) de deur tijdens een manoeuvre afremt, constateert deze functie onmiddellijk dat belasting van de motor om het obstakel te overwinnen, toeneemt, en geeft instructie tot een korte terugloop.

- **WEGNEMEN VAN DE DRUK.** Na afloop van een sluitmanoeuvre blijft de

motor of de deur nog even "voortduwen", nadat de deur helemaal gesloten is, om zeker van een perfecte sluiting te zijn. Onmiddellijk daarna zorgt de functie "wegnemen van de druk" voor een zeer korte terugloop aan om de door de motor op de deur uitgeoefende druk te verminderen.

De waarden van deze functies kunnen op grond van de persoonlijke eisen worden afgesteld; u gebruikt hiervoor onderstaande procedure en een zender waarvan tenminste één toets reeds in het geheugen van de besturingseenheid is opgeslagen.

N.B. – *Telkens wanneer u bij het uitvoeren van de procedure op een toets drukt, zal het knipperlicht één maal knipperen.*

- 01.** Houd de toetsen "T1" en "T2" op de zender tenminste **5 seconden** tegelijk ingedrukt en laat ze daarna los.
Op de besturingseenheid knipperen nu de twee leds (groen en rood) die aangeven dat u de "programmering van de functies" bent binnengegaan (*de leds blijven gedurende de gehele procedure knipperen*).
- 02.** Houd tenminste **1 seconde** een toets op de zender ingedrukt die reeds in het geheugen van deze besturingseenheid is opgeslagen (*de groene led knippert 1 maal*).
- 03.** Kies daarna een van de vier beschikbare functies en houd op de zender de toets die aan de uitgekomen functie gekoppeld is, tenminste **1 seconde** ingedrukt (*de groene led knippert 1 maal*):
 - **Automatische sluiting** = (druk op toets "T1")
 - **Snelheid van de manoeuvre** = (druk op toets "T2")
 - **Gevoeligheid ten opzichte van obstakels** = (druk op toets "T3")
 - **Wegnemen van de druk** = (druk op toets "T4")
- 04.** Kies tenslotte op basis van **Tabel 4** de door u gewenste waarde die bij deze functie staat en houd op de zender tenminste **1 seconde** de toets ingedrukt die aan de gewenste waarde is gekoppeld (*de groene en rode led zullen nu 1 maal ter bevestiging kort knipperen*).

Opmerkingen bij Tabel 4:

–Deze tabel geeft de waarden weer die voor elk van de 4 speciale functies beschikbaar zijn alsook de daarmee overeenkomende toets waarop u op de zender moet drukken om die bepaalde waarde te selecteren.

– De kleur grijs markeert de in de fabriek vastgestelde waarden.

TABEL 4	
AUTOMATISCH SLUITEN	
Geen enkele sluiting → (druk op toets "T1")	
Sluiting na 15 seconden → (druk op toets "T2")	
Sluiting na 30 seconden → (druk op toets "T3")	
Sluiting na 60 seconden → (druk op toets "T4")	
SNELHEID VAN DE BEWEGING	
Laag → (druk op toets "T1")	
Middellaag → (druk op toets "T2")	
Middelhoog → (druk op toets "T3")	
Hoog → (druk op toets "T4")	
GEVOELIGHEID TEN OPZICHTE VAN OBSTAKELS	
Hoog → (druk op toets "T1")	
Middelhoog → (druk op toets "T2")	
Middellaag → (druk op toets "T3")	
Laag → (druk op toets "T4")	
WEGNEMEN VAN DE DRUK	
Niet wegnemen → (druk op toets "T1")	
Minimum → (druk op toets "T2")	
Middenwaarde → (druk op toets "T3")	
Maximum → (druk op toets "T4")	

11 – GEHEUGENOPSLAG VAN EEN NIEUWE ZENDER MET BEHULP VAN DE PROCEDURE 'IN DE NABIJHEID VAN DE BESTURINGSEENHEID [met een reeds in het geheugen opgeslagen zender]

Het is mogelijk een NIEUWE zender in het geheugen van de besturingseenheid op te slaan zonder rechtstreeks de toets "P1" op die besturingseenheid te gebruiken, maar door binnen de ontvangstraal van de zender te werken. Hiervoor hebt u een OUDE zender nodig, die reeds in het geheugen is opgeslagen

en die werkt. Met deze procedure kan de NIEUWE zender de instellingen van de OUDE ontvangen.

Aanbeveling – De procedure moet uitgevoerd binnen het ontvangstbereik van de ontvanger (ten hoogste 10-20 m van de ontvanger).

- 01.** Op de NIEUWE zender: houd tenminste **5 seconden** de toets ingedrukt die u in het geheugen wilt opslaan en laat hem daarna los.
- 02.** Op de OUDE zender: druk langzaam **3 maal** op de toets met de instructie die u op de andere zender in het geheugen wilt opslaan.
- 03.** Op de NIEUWE zender: druk **1 maal** op dezelfde toets als die welke u op punt 01 hebt ingedrukt.

N.B. – *De procedure dient voor elke toets die u in het geheugen wilt opslaan, opnieuw te worden uitgevoerd.*

12 – WISSEN VAN GEGEVENS UIT HET GEHEUGEN VAN DE BESTURINGSEENHEID

Het is mogelijk de gegevens die zich in het geheugen van de besturingseenheid bevinden, te wissen, waarbij u enkele gegevens of alle gegevens wist. Hiervoor kunt u de volgende procedures gebruiken:

- **Wissen van een instructie in een reeds in het geheugen opgeslagen zender**
- **Wissen van andere gegevens die in het geheugen van de besturingseenheid zijn opgeslagen**

Wissen van een instructie in een reeds in het geheugen opgeslagen zender

Met onderstaande procedure is het mogelijk een afzonderlijke aan een toets op de zender gekoppelde instructie uit het **geheugen** van de besturingseenheid te wissen.

N.B. – *Tijdens de procedure blijven de rode en de groene led ononderbroken branden.*

- 01.** Houd de toets "P1" op de besturingseenheid langer dan **10 seconden** ingedrukt: eerst gaat de **groene** led branden, na 5 seconden gaat de **rode** led aan en tenslotte beide, ten teken dat de besturingseenheid de modus "wissen van het geheugen" is binnengegaan (**LET OP! – laat toets "P1" niet los!**).
- 02.** Zonder toets "P1" los te laten, drukt u op de toets van de zender die u wilt wissen: als de besturingseenheid deze handeling herkent, knippert de groene led een maal kort en, pas nu, kan de toets "P1" en die op de zender worden losgelaten

Wissen van andere gegevens die in het geheugen van de besturingseenheid zijn opgeslagen

Met onderstaande procedure is het mogelijk verschillende soorten opgeslagen gegevens uit het **geheugen** van de besturingseenheid te wissen, zoals die in **Tabel 5** zijn weergegeven.

N.B. – *Tijdens de procedure blijven de rode en de groene led ononderbroken branden.*

- 01.** Houd de toets "P1" op de besturingseenheid langer dan **10 seconden** ingedrukt: eerst gaat de **groene** led branden, na 5 seconden gaat de **rode** led aan en tenslotte beide, ten teken dat de besturingseenheid de modus "wissen van het geheugen" is binnengegaan. Laat daarna de toets los.
- 02.** Kies met behulp van **Tabel 5** het type gegevens dat u wilt wissen en druk net zo veel maal op toets "P1" als het aantal tussen haakjes aangeeft (*telkens als er op de toets "P1" wordt gedrukt, knippert de groene led één maal*).
- 03.** Vijf seconden nadat er voor de laatste maal op toets "P1" is gedrukt gaan beide leds (rood en groen), als het wissen tot een goed einde is gekomen, snel knipperen (= *geheugen gewist!*).
N.B. – *Voordat wissing daadwerkelijk plaatsvindt, is er een marge van 5 seconden, waar u de genomen beslissing nog kunt terugdraaien; in die tijd kunt u de procedure verlaten zonder enig gegeven te wissen door 5 maal op de toets "P1" te drukken.*

BELANGRIJK! – Na wissing van het "geheugen van de eindstanden bij "Sluiting" en "Opening" en van het GEHELE geheugen", zal het nodig zijn de procedure **9.2 – Geheugenopslag van de standen van "Sluiting" en "Opening"** opnieuw uit te voeren.

TABEL 5	
• Geheugen van de waarden van de optionele functies (= 1 maal drukken)	
• Geheugen van de eindstanden bij "Sluiting" en "Opening" (= 2 maal drukken)	
• Geheugen van de zenders (= 3 maal drukken)	
• GEHELE geheugen (= 4 maal drukken) NB. – <i>wist in één maal de drie eerste geheugens</i>	

WAT TE DOEN ALS... (gids voor het oplossen van problemen)

Bij normale werking houdt de besturingseenheid de processen van de automatisering constant onder controle en kan zij eventuele storingen signaleren door het gebruikerslicht en de rode led "L1" op de besturingseenheid een bepaald aantal maal te laten knipperen (deze diagnostische knipperingen hebben altijd betrekking op de laatste manoeuvre van de automatisering). Om het verband te begrijpen tussen het aantal knipperingen en de oorzaak daarachter, gelieve u onderstaande **tabel 6** te raadplegen:

TABEL 6		
Knipperingen	Probleem	Oplossing
2 maal knipperen - pauze - 2 maal knipperen	Bij de <i>sluitmanoeuvre</i> komt de deur tot stilstand en loopt in tegengestelde richting terug.	Dit is het gevolg van het feit dat een bepaald stel fotocellen, dat deel uitmaakt van de installatie, in werking is getreden omdat het een obstakel heeft geconstateerd. Verwijder dus het obstakel dat zich op de baan tussen deze fotocellen bevindt.
3 maal knipperen - pauze - 3 maal knipperen	Bij de <i>openings-</i> of <i>sluitmanoeuvre</i> komt de deur onverwachts tot stilstand en de besturingseenheid verricht een <u>korte</u> omkering van de in gang zijnde manoeuvre.	De deur heeft als gevolg van een onverwacht obstakel (een windstoot, een voertuig, een persoon, etc.) meer wrijving ondervonden. Mocht het eventueel nodig zijn de gevoeligheid daarvan ten opzichte van obstakels bij te stellen, dan gelieve u hoofdstuk "Afstellingen en andere optionele functies" te raadplegen.
4 maal knipperen - pauze - 4 maal knipperen	Bij de <i>openings-</i> of <i>sluitmanoeuvre</i> komt de deur onverwachts tot stilstand en de besturingseenheid voert een "Stop" uit, gevolgd door een korte terugloop.	Eventueel geïnstalleerde veiligheidsinrichtingen (anders dan fotocellen, zoals bijvoorbeeld contactlijsten), hebben een onverwacht obstakel. Verwijder dus het obstakel.
5 maal knipperen - pauze - 5 maal knipperen	De automatisering reageert niet op de verzonden instructies.	Er is een fout in de configuratie van het systeem. Wis dus alle gegevens uit het geheugen van de besturingseenheid en voer daarna de installatie opnieuw uit.
6 maal knipperen - pauze - 6 maal knipperen	Na een aantal opeenvolgende verzonden manoeuvres komt de automatisering tot stilstand.	De hoogst toegestane grens van opeenvolgende manoeuvres is overschreden waardoor oververhitting is ontstaan. Wacht daarom enkele minuten om de temperatuur onder de ingestelde bovengrens te laten zakken.
7 maal knipperen - pauze - 7 maal knipperen	De automatisering reageert niet op de verzonden instructies.	Er is een defect in de interne elektrische circuits. Ontkoppel daarom alle voedingscircuits; wacht een paar seconden en zet ze opnieuw onder spanning. Geef opnieuw een instructie en, als de automatisering niet reageert, betekend dit dat er een ernstig defect is op de elektrische kaart van de besturingseenheid of in de bekabeling van de motor. Controleer dus en vervang zo nodig.



Werkzaamheden die aan een bevoegde technicus zijn voorbehouden

LET OP! – Alle in dit kader vervatte handelingen mogen uitsluitend door bevoegd en ervaren personeel worden uitgevoerd, waarbij de aanwijzingen van de handleiding, de wetten en de regelgeving inzake veiligheid, zoals die in het gebied van kracht zijn, worden nageleefd.

AANSLUITING VAN DE AUTOMATISERING OP HET ELEKTRICITEITSNET

Let op! – Bij het aansluiten hiervan dient er op de voedingslijn (tussen de automatisering en het elektriciteitsnet) ook een beveiliging tegen kortsluiting te worden geïnstalleerd.

Op deze lijn dient er bovendien een inrichting te worden geïnstalleerd die de stroomtoevoer kan onderbreken (met overspanningscategorie III, d.w.z. met een minimumafstand tussen de contacten van tenminste 3,5 mm) of ander gelijkwaardig systeem, zoals bijvoorbeeld een stopcontact met een stekker. Deze inrichting zorgt er, indien dat nodig is, dat de stroom toevoer snel en veilig wordt onderbroken. Als die onderbrekingsinrichting van de stroomtoevoer zich niet in de nabijheid van de automatisering bevindt en niet zichtbaar is, dient er een blokkeringsysteem te zijn tegen het per ongeluk of onbevoegd inschakelen, teneinde elk eventueel gevaar uit te schakelen.

N.B. – De onderbrekingsinrichting wordt niet met het product meegeleverd.

EINDTEST EN INBEDRIJFSTELLING VAN DE AUTOMATISERING

Dit zijn bij de aanleg van de automatisering de belangrijkste fasen om een zo groot mogelijke veiligheid van de installatie te garanderen.

De hier beschreven procedure van de eindtest kan ook worden gebruikt om op geregelde tijden de inrichtingen waaruit de automatisering is samengesteld, te controleren.

De eindtest en de inbedrijfstelling van de automatisering moeten door vakbewaam en deskundig personeel uitgevoerd worden. Dat moet ook bepalen

welke tests noodzakelijk zijn om de getroffen oplossingen voor de bestaande risico's te controleren en na te gaan of de wettelijke voorschriften, regelgeving en regels en in het bijzonder alle vereisten van norm EN 12445, die de testmethodes voor de controle van automatiseringen voor garagedeuren bepaalt, in acht zijn genomen.

EINDTEST VAN DE AUTOMATISERING

- 1 Controleer of de voorschriften van STAP 1 op het gebied van de veiligheid nauwgezet zijn nageleefd.
- 2 Voer met behulp van de zender sluit- en openingstests met de deur uit, om na te gaan of de beweging van de deur naar behoren wordt uitgevoerd. Het is raadzaam meerdere tests uit te voeren om te beoordelen of de deur soepel loopt en er eventuele montage- of afstellingsdefecten zijn, of punten met een bijzondere wrijving.
- 3 Controleer alle veiligheidsinrichtingen van de installatie (fotocellen, gevoelige randen, enz.) één voor één, of ze goed werken. **Fotocellen:** laat de inrichting tijdens een *sluitmanoeuvre* in werking treden en controleer of de besturingseenheid de manoeuvre tot staan brengt en een totale terugloop verricht (het gebruikerslicht moet nu 2 maal 2 knipperingen afgeven). **Contactlijsten:** laat de inrichting tijdens een *openings-* of *sluitmanoeuvre* in werking treden en controleer of de besturingseenheid de manoeuvre tot staan brengt en een korte terugloop uitvoert (het gebruikerslicht moet 2 maal 4 knipperingen afgeven).
- 4 Om te controleren of er geen interferenties tussen de fotocellen met andere inrichtingen zijn, onderbreekt u met een 30 cm lange cilinder met een diameter van 5 cm de optische as die het stel fotocellen met elkaar verbindt (**afb. 45**): eerst dichtbij de fotocel TX, vervolgens dichtbij de RX en tenslotte in het midden tussen de twee fotocellen. Tenslotte controleert u of de inrichting altijd in werking treedt, waarbij ze van de actieve staat in de alarmstaat komt en omgekeerd; vergewis u er daarna van dat ze de voorziene reactie in de

besturingseenheid oproept (bijvoorbeeld dat de deur terugloopt bij de *sluitmanoeuvre*).

- 5 Meet de stootkracht volgens de voorschriften van de norm EN 12445 en probeer daarna, indien de aansturing van het „motorvermogen“ gebruikt wordt als hulpmiddel voor het systeem om de stootkracht terug te brengen, eventueel die instelling te vinden, welke de beste resultaten oplevert.
- 6 Geef opdracht tot een *sluitmanoeuvre* en controleer de stootkracht van de deur op de oppervlakte van de vloer. Probeer, zo nodig, de druk weg te nemen en die afstelling te vinden die de beste resultaten geeft.

INBEDRIJFSTELLING VAN DE AUTOMATISERING

Inbedrijfstelling kan alleen plaatsvinden nadat alle fasen van de eindtest met succes zijn afgesloten. Gedeeltelijke inbedrijfstelling of in „tijdelijke“ situaties is niet toegestaan.

- 1 Maak een technisch dossier van de automatisering dat de volgende documenten moet omvatten: een overzichtstekening (zie het voorbeeld op **afb. 6, 7 en 8**), een schema van de verrichte elektrische aansluitingen (zie de voorbeelden van STAP 6), een analyse van de risico's en de toegepaste oplossingen (zie op de site www.niceforyou.com de in te vullen formulieren), de conformiteitsverklaringen van alle fabrikanten voor de gebruikte inrichtingen en de conformiteitsverklaring die door de installateur is ingevuld (zie de sectie „TECHNISCHE DOCUMENTATIE“).
- 2 Breng op de deur een plaatje aan met daarop tenminste de volgende gegevens: type automatisering, naam en adres van de fabrikant (verantwoordelijk voor de „inbedrijfstelling“), serienummer, bouwjaar en „CE“-keurmerk.
- 3 Vul de conformiteitsverklaring in en geef ze aan de eigenaar van de automatisering; Hiervoor kunt u de „**EG-conformiteitsverklaring**“ in de sectie „TECHNISCHE DOCUMENTATIE“ gebruiken.
- 4 Vul het formulier „**Gebruiksaanwijzing**“ in dat u in de sectie „TECHNISCHE DOCUMENTATIE“ vindt en geef dat aan de eigenaar van de automatisering.
- 5 Vul het formulier „**Onderhoudsplan**“ in dat u in de sectie „TECHNISCHE DOCUMENTATIE“ vindt en dat de onderhoudsvoorschriften voor alle inrichtingen van de automatisering omvat en geef dit aan de eigenaar van de automatisering.
- 6 Alvorens de automatisering in bedrijf te stellen dient u de eigenaar uitvoerig over de nog aanwezige gevaren en risico's te informeren.

- 7 Bevestig op een niet te verwijderen manier op de deur een etiket of een plaatje met de afbeelding van **afb. 46** (hoogte minimaal 60 mm) met daarop de tekst „LET OP! GEVAAR VOOR BEKNELLING“.

WERKZAAMHEDEN IN VERBAND MET PERIODIEK ONDERHOUD

Over het algemeen heeft dit product geen bijzonder onderhoud nodig; toch zorgt regelmatige controle ervoor de installatie efficiënt te houden en een regelmatige werking van de geïnstalleerde veiligheidssystemen te waarborgen. Raadpleeg daarom voor een correct onderhoud het hoofdstuk „**Onderhoudsplan**“ in de sectie „TECHNISCHE DOCUMENTATIE“ aan het einde van deze handleiding.

AFVALVERWERKING VAN HET PRODUCT

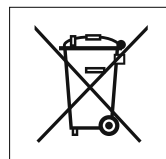
Dit product is een integrerend deel van de automatisering en dient dus daarom samen daarmee verwerkt te worden.

Wanneer de levensduur van dit product ten einde is, dienen de ontmantelingswerkzaamheden, zoals dit ook bij de installatiewerkzaamheden het geval is, door bevoegd personeel uitgevoerd te worden.

Dit product bestaat uit verschillende soorten materialen, waarvan sommige gerecycleerd kunnen worden. Win inlichtingen over de methoden van hergebruik of afvalverwerking zoals die in de in uw gebied van kracht zijnde voorschriften is voorzien.

Let op! – Sommige delen van het product kunnen vervuilde of gevaarlijke stoffen bevatten; als die in het milieu terecht zouden komen, zouden ze schadelijke gevolgen voor het milieu en de menselijke gezondheid kunnen hebben.

Zoals u kunt zien aan het symbool hiernaast is het verboden dit product met het gewone huisvuil weg te gooien. Scheid uw afval voor verwerking op een manier zoals die in de plaatselijke regelgeving is voorzien, of lever het product bij uw leverancier in wanneer u een nieuw gelijksoortig product koopt.



Let op! – de plaatselijke regelgeving kan in geval van illegale dumping van dit product in zware straffen voorzien.

CE-VERKLARING VAN OVEREENSTEMMING

Verklaring conform Richtlijnen: 1999/5/CE (R&TTE), 2004/108/CE (EMC); 2006/42/CE (MD) bijlage II, deel B

Opmerking - De inhoud van deze verklaring komt overeen met hetgeen is vastgelegd in het officiële document dat is gedeponeerd ten kantore van Nice S.p.a., en in het bijzonder met de laatste herziene en beschikbare versie ervan, vóór het drukken van deze handleiding. De hier gepresenteerde tekst is herzien om redactionele redenen. Een kopie van de oorspronkelijke verklaring kan worden aangevraagd bij Nice S.p.a. (TV) Italië.

Nummer: 290/SHEL	Revisie: 2	Taal: NL
Naam fabrikant:	NICE s.p.a.	
Adres:	Via Pezza Alta 13, Z.I. Rustignè, 31046 Oderzo (TV) Italië	
Persoon gemachtigd tot het samenstellen van het technisch dossier:	Dhr. Oscar Marchetto.	
Type:	Elektromechanische reductiemotor en bijbehorende accessoires	
Modellen:	SHEL50, SHEL75	
Accessoires:	Afstandsbedieningen serie FLO, FLOR, Smilo	

Ondergetekende, Luigi Paro, verklaart in zijn functie als Gedelegeerd Directeur onder zijn eigen verantwoordelijkheid dat de hierboven vermelde producten voldoen aan de bepalingen die zijn vastgesteld door de volgende richtlijnen:

- Richtlijn 1999/5/CE VAN HET EUROPEES PARLAMENT EN VAN DE EUROPESE RAAD van 9 maart 1999 met betrekking tot radioapparatuur en eindapparatuur voor communicatie en de wederzijdse erkenning van hun conformiteit, op basis van de volgende geharmoniseerde normen:
 - Bescherming van de gezondheid (art. 3(1)(a)): EN 50371:2002
 - Elektrische veiligheid (art. 3(1)(a)): EN 60950-1:2006
 - Elektromagnetische compatibiliteit (art. 3(1)(b)): EN 301 489-1 V1.8.1:2008, EN 301 489-3 V1.4.1:2002
 - Radiospectrum (art. 3(2)): EN 300 220-2 V2.1.2:2007

- RICHTLIJN 2004/108/CE VAN HET EUROPEES PARLEMENT EN DE RAAD VAN DE EUROPESE UNIE van 15 december 2004 betreffende de onderlinge aanpassing van de wetgevingen van de lidstaten inzake elektromagnetische compatibiliteit en tot wijziging van richtlijn 89/336/EEG, volgens de hieropvolgende geharmoniseerde normen: EN 61000-6-2:2005, EN 61000-6-3:2007

Bovendien voldoet het product aan de hieropvolgende richtlijn volgens de voor „pseudo-apparaten“ geldende vereisten:

- Richtlijn 2006/42/EG VAN HET EUROPEES PARLEMENT EN DE RAAD VAN DE EUROPESE UNIE van 17 mei 2006 betreffende apparaten, bedoeld als aanpassing van Richtlijn 95/16/EG (herschikking)
 - Hierbij verklaart men dat het relevante technische dossier is ingevuld volgens de aanwijzingen in bijlage VII B van de richtlijn 2006/42/EG en dat daarbij aan de hieropvolgende verplichte eisen is voldaan: 1.1- 1.1.2- 1.1.3- 1.2.1-1.2.6- 1.5.1-1.5.2- 1.5.5- 1.5.6- 1.5.7- 1.5.8- 1.5.10- 1.5.11
 - De fabrikant zal zorgdragen voor de overdracht van informatie betreffende het pseudo-apparaat, op speciaal verzoek van de wetgevende instanties zonder daarbij afbreuk te doen aan zijn eigen intellectueel eigendomsrecht.
 - Mocht het pseudo-apparaat in gebruik worden genomen in een land waar een andere taal wordt gesproken dan in deze verklaring is gebruikt, is de importeur verplicht een vertaling van het desbetreffende document aan de documentatie toe te voegen.
 - Het is niet toegestaan het pseudo-apparaat in gebruik te nemen voordat het uiteindelijke apparaat waarin dit zal worden ingebouwd, indien van toepassing, geschikt is verklaard volgens de richtlijn 2006/42/EG.

Het apparaat voldoet bovendien aan de volgende normen: EN 60335-1:2002 + A1:2004 + A11:2004 + A12:2006 + A2:2006 + A13:2008; EN 60335-2-103:2003

Het apparaat voldoet, voor zover het de toepasselijke onderdelen betreft, aan de volgende normen: EN 13241-1:2003, EN 12445:2002, EN 12453:2002, EN 12978:2003

Oderzo, 23 mei 2011

Ing. Luigi Paro (Gedelegeerd Directeur)

TECHNISCHE KENMERKEN VAN DE VERSCHILLENDE PRODUCTONDERDELEN

AANBEVELINGEN:

- Het product SHELKIT50 - SHELKIT75 is vervaardigd door Nice S.p.a. (TV) I.
- Alle hier opgevoerde technische gegevens hebben betrekking op een omgevingstemperatuur van 20°C (±5°C).
- Nice S.p.a. behoudt zich het recht voor op elk door haar gewenst moment wijzigingen in haar producten aan te brengen, waarbij functionaliteit en gebruiksbestemming echter gehandhaafd blijven.

REDUCTIEMOTOR:	SHELKIT50	SHELKIT75
Toegepaste technologie	24 V-motor	
Stroomvoorziening	230 Vac 50/60 Hz	
Maximumkoppel start	9 Nm	12 Nm
Nominale koppel	6 Nm	7,5 Nm
Maximum duwkracht	500 N	750 N
Nominale duwkracht	350 N	450 N
Maximumvermogen	200 W	280 W
Snelheid manoeuvre	0.07 ÷ 0.13 m/s	0.08 ÷ 0.14 m/s
Maximumduur continue werking	4 minuten	
MCycli/uur bij nominaal koppel (20°)	8	
Omgevingstemperatuur voor werking	-20° C ÷ +50° C	
Afmetingen	305 x 109 h x 130 (mm)	
Gewicht	4 kg	
Isolatieklasse	1	
Gebruikerslicht	12 V / 10 W fitting BA15	
Ingang STOP	Voor normaal gesloten contacten, normaal open contacten of met constante weerstand 8,2 KΩ; in zelfinstelling (een wijziging ten opzichte van de in het geheugen opgeslagen staat heeft de instructie "STOP" ten gevolge).	
Ingang STAP-VOOR-STAP	Voor normaal open contacten	
Ingang FOTO	Voor veiligheidsinrichtingen met normaal gesloten contacten	
Radio-ontvanger	Ingebouwd	
Programmeerbare functies	4 programmeerbare functies (zie paragraaf 6.3). Zelfinstelling van het soort "STOP"-inrichting (contact NO, NC of weerstand 8,2 KΩ).	
Functies met zelfinstelling	Zelfinstelling van de eindstanden bij opening en sluiting van de deur en berekening van de punten voor vertraging en gedeeltelijke opening.	
Gebruik in bijzonder zure, zoute of potentieel explosieve omgeving	Nee	
Beschermingsklasse	IP 40 bij gebruik alleen binnenshuis of in beschermde omgeving	
Geschatte levensduur (*)	van 40.000 tot 80.000 cycli manoeuvres	

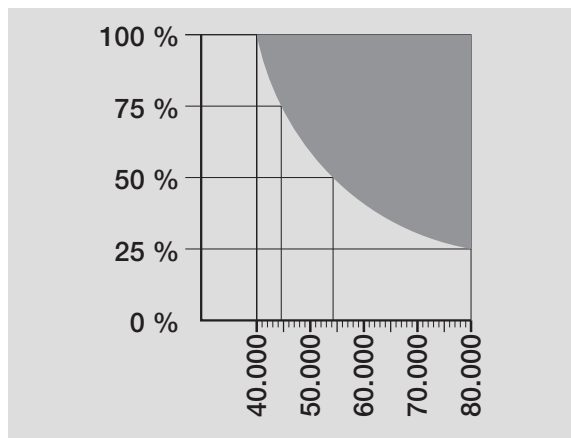
(*) **N.B.** – De geschatte levensduur van het product ligt tussen de 40.000 en 80.000 cycli manoeuvres. Om de waarschijnlijke levensduur van uw automatische vast te stellen dient u als volgt te werk te gaan:

a) – beoordeel de gebruiksomstandigheden en de krachten die bij uw installatie in het spel zijn zoals bijvoorbeeld...

- het gewicht en de lengte van de garagedeur;
- de perfecte uitbalancering van de garagedeur;
- de staat van onderhoud van de scharnieren van de garagedeur;
- het type vleugel: dicht of met veel openingen;
- de aanwezigheid van sterke wind;
- de gebruiksfrequentie van de automatisering.

b) – leid uit deze beoordeling een waarde af die wordt uitgedrukt in een percentage dat in het algemeen de hogere of geringere graad van slijtage van het automatische bepaalt.

c) – zoek op de grafiek hiernaast het geschatte percentage (op punt "b") en lees daar het aantal cycli van manoeuvres af.



ZENDER FLO4R-S

BESCHRIJVING	GEGEVENS
Typologie	4-kanaals zenders voor radiografische bediening
Frequentie	433.92 MHz
Codering	Digitale 52-bit rollingcode, type FLOR
Toetsen	4
Uitgestraald vermogen	100 µW
Stroomvoorziening	12 Vdc met batterij type 23 A
Levensduur van de batterijen	1 jaar, geschat op een basis van 20 instructies/dag met een duur van 1s bij 20°C (bij lage temperaturen vermindert de batterijwerking)
Omgevingstemperatuur bij werking	-40°C ÷ 85°C
Beschermingsklasse	IP 40 (gebruik in huis of beschermde ruimten)
Afmetingen	72 x 40h x 18 mm
Gewicht	30 g

• **Before using your automation system for the first time**, ask the installer to explain the origin of any residual risks: take a few minutes and read the users **instructions manual given you by the installer**. Retain the manual for future use and deliver it to any subsequent owner of the automation system.

• **Your automation system is a machine that will faithfully execute your commands**; unreasonable or improper use may generate dangers: do not operate the system if there are people, animals or objects within its range of operation.

• **Children**: automation systems are designed to guarantee high levels of safety and security. They are equipped with detection devices that prevent movement if people or objects are in the way, guaranteeing safe and reliable activation. However, children should not be allowed to play in the vicinity of automated systems: to prevent any accidental activations, keep all remote controls away from children: **they are not toys!**

• **Malfunctions**: If you notice that your automation is not functioning properly, disconnect the power supply to the system and operate the manual release device. Do not attempt to make any repairs: call the installation technician and, in the meantime, operate the system like a non-automatic door after releasing the gearmotor as described below.

• **Maintenance**: Like any machine, your automation needs regular periodic maintenance to ensure its long life and total safety. Arrange a periodic maintenance schedule with your installation technician. Nice recommends that maintenance checks be carried out every six months for normal domestic use, but this interval may vary depending on the intensity of use. Only qualified personnel are authorized to carry out checks, maintenance operations and repairs.

• Do not modify the system or its programming and adjustment parameters in any way, even if you feel capable of doing it: your installation technician is responsible for the system.

• The final test, the periodic maintenance operations and any repairs must be documented by the person who has performed them: these documents must remain under the custody of the owner of the system.

The only recommended maintenance operations that the user can perform periodically concern the cleaning of the photocell glasses and the removal of leaves and debris that may impede the automation. To prevent anyone from activating the door **release the automation system** (as described below). Use a slightly damp cloth to.

• **Disposal**: At the end of its useful life, the automation must be dismantled by qualified personnel, and the materials must be recycled or disposed of in compliance with the legislation locally in force.

• **In the event of malfunctions or power failures**. While you are waiting for the technician to come (or for the power to be restored if your system is not equipped with buffer batteries), you can operate the system like any non-automatic door. In order to do this you need to manually release the gearmotor (this operation is the only one that the user of the automation is authorized to perform): This operation has been carefully designed by Nice to make it extremely easy, without any need for tools or physical exertion.

Manual movement and release: before carrying out this operation please note that release can only occur when the door is stopped.

1. Pull the release cord down until you hear the release of the carriage (fig. A).
2. The door can now be moved manually (fig. B).
3. To restore automation operation return the door to the initial position until you hear the carriage engage.

Control with safety devices out of order: If the safety devices are malfunctioning, it is still possible to control the door.

- Operate the door control device (remote control or key-operated selector switch etc.). If the safety devices enable the operation, the door will open and close normally, otherwise the flashing light flashes a few times but the manoeuvre does not start (the number of flashes depends on the reason why the manoeuvre is not enabled).

- In this case, **actuate** the control again within 3 seconds and **keep it actuated**. - After approximately 2 s the door will start moving in the "man present" mode, i.e. so long as the control is maintained the door will keep moving; as soon as the control is released the door will stop.

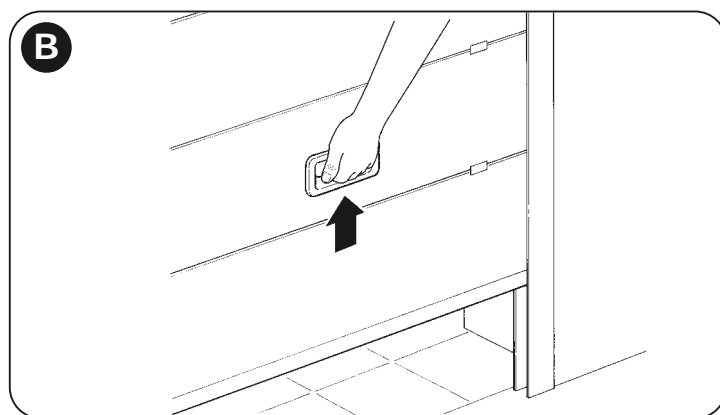
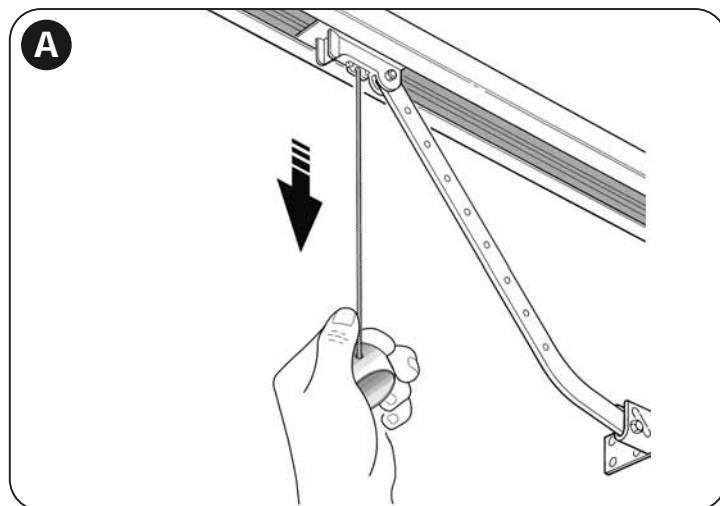
If the safety devices are out of order the automation must be repaired as soon as possible.

Replacing the Remote Control Battery: if your radio control, after a period of time, seems not to work as well, or not to work at all, it may simply be that the battery is exhausted (depending on the type of use, it may last from several months up to one year and more). In this case you will see that the light confirming the transmission is weak, or does not come on, or comes on only briefly. Before calling the installation technician try exchanging the battery with one from another operating transmitter: if the problem is caused by a low battery, just replace it with another of the same type.

WARNING! – The batteries contain polluting substances: do not dispose of them together with other waste but use the methods established by local regulations.

Lamp replacement: before proceeding, disconnect SHELKIT50 - SHELKIT75 from the power supply.

1. To open the white cover, unscrew the lateral screw and slide off the cover.
2. Remove the bulb by pressing it upwards and then rotating. Insert a new bulb (12V / 21W fitting BA15).



Istruzioni ed avvertenze destinate all'utilizzatore del motoriduttore SHELKIT50 - SHELKIT75

• **Prima di usare per la prima volta l'automazione**, fatevi spiegare dall'installatore l'origine dei rischi residui, e dedicate qualche minuto alla lettura del manuale di istruzioni ed avvertenze per l'utilizzatore consegnatovi dall'installatore. Conservate il manuale per ogni dubbio futuro e consegnatelo ad un eventuale nuovo proprietario dell'automazione.

• **La vostra automazione è un macchinario che esegue fedelmente i vostri comandi**; un uso incosciente ed improprio può farlo diventare pericoloso: non comandate il movimento dell'automazione se nel suo raggio di azione si trovano persone, animali o cose.

• **Bambini**: un impianto di automazione garantisce un alto grado di sicurezza, impedendo con i suoi sistemi di rilevazione il movimento in presenza di persone o cose, e garantendo un'attivazione sempre prevedibile e sicura. È comunque prudente vietare ai bambini di giocare in prossimità dell'automazione e per evitare attivazioni involontarie non lasciare i telecomandi alla loro portata: **non è un gioco!**

• **Anomalie**: Non appena notate qualunque comportamento anomalo da parte dell'automazione, togliete alimentazione elettrica all'impianto ed eseguite lo sblocco manuale. Non tentate da soli alcuna riparazione, ma richiedete l'intervento del vostro installatore di fiducia: nel frattempo l'impianto può funzionare come un'apertura non automatizzata, una volta sbloccato il motoriduttore come descritto più avanti.

• **Manutenzione**: Come ogni macchinario la vostra automazione ha bisogno di una manutenzione periodica affinché possa funzionare più a lungo possibile ed in completa sicurezza. Concordate con il vostro installatore un piano di manutenzione con frequenza periodica; Nice consiglia un intervento ogni 6 mesi per un normale utilizzo domestico, ma questo periodo può variare in funzione dell'intensità d'uso. Qualunque intervento di controllo, manutenzione o riparazione deve essere eseguito solo da personale qualificato.

• Anche se ritenete di saperlo fare, non modificate l'impianto ed i parametri di programmazione e di regolazione dell'automazione: la responsabilità è del vostro installatore.

• Il collaudo, le manutenzioni periodiche e le eventuali riparazioni devono essere documentate da chi le esegue e i documenti conservati dal proprietario dell'impianto.

Gli unici interventi che vi sono possibili e vi consigliamo di effettuare periodicamente sono la pulizia dei vetri delle fotocellule e la rimozione di eventuali foglie o sassi che potrebbero ostacolare l'automatismo. Per impedire che qualcuno possa azionare il cancello, prima di procedere, ricordatevi di **sbloccare l'automatismo** (come descritto più avanti) e di utilizzare per la pulizia solamente un panno leggermente inumidito con acqua.

• **Smaltimento**: Al termine della vita dell'automazione, assicuratevi che lo smantellamento sia eseguito da personale qualificato e che i materiali vengano riciclati o smaltiti secondo le norme valide a livello locale.

• **In caso di rotture o assenza di alimentazione**: Attendendo l'intervento del vostro installatore, o il ritorno dell'energia elettrica se l'impianto non è dotato di batterie tampone, l'automazione può essere azionata come una qualunque apertura non automatizzata. Per fare ciò è necessario eseguire lo sblocco manuale (unico intervento consentito all'utente sull'automazione): tale operazione è stata particolarmente studiata da Nice per assicurarvi sempre la massima facilità di utilizzo, senza uso di attrezzi particolari o necessità di sforzo fisico.

Sblocco e movimento manuale: prima di eseguire questa operazione porre attenzione che lo sblocco può avvenire solo quando il portone è fermo.

1. Tirare il cordino di sblocco verso il basso fino a sentire lo sgancio del carrello (fig. A).

2. A questo punto è possibile agire manualmente sul portone (fig. B).

3. Per ripristinare la funzionalità dell'automatismo riportare il portone nella posizione iniziale fino a sentire l'aggancio del carrello.

Comando con sicurezze fuori uso: nel caso i dispositivi di sicurezza presenti nel portone non dovessero funzionare correttamente è possibile comunque comandare il portone.

- Azionare il comando del portone (col telecomando, col selettore a chiave, ecc.); se tutto è a posto il portone si aprirà o chiuderà normalmente, altrimenti il lampeggiante farà alcuni lampeggi e la manovra non partirà (il numero di lampeggi dipende dal motivo per cui la manovra non può partire).

- In questo caso, entro tre secondi si deve **azionare nuovamente e tenere azionato** il comando.

- Dopo circa 2 s inizierà il movimento del portone in modalità a "uomo presente", cioè finché si mantiene il comando, il portone continuerà a muoversi; appena il comando viene rilasciato, il portone si ferma.

Con le sicurezze fuori uso è necessario far riparare quanto prima l'automatismo.

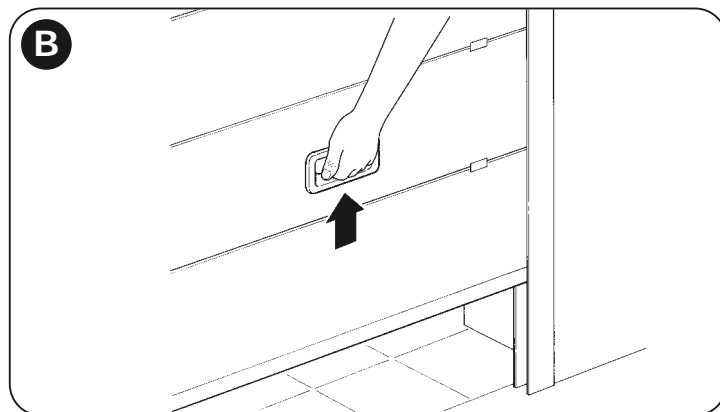
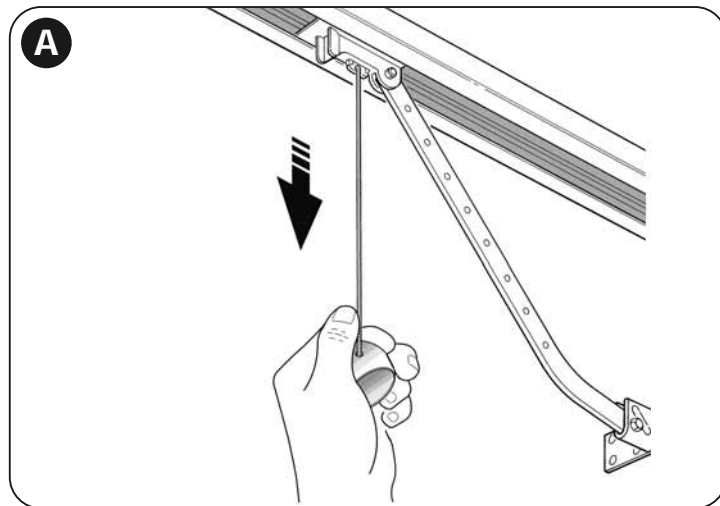
Sostituzione pila del telecomando: se il vostro radiocomando dopo qualche tempo vi sembra funzionare peggio, oppure non funzionare affatto, potrebbe semplicemente dipendere dall'esaurimento della pila (a seconda dell'uso, possono trascorrere da diversi mesi fino ad oltre un anno). Ve ne potete accor-

gere dal fatto che la spia di conferma della trasmissione non si accende, è fioca, oppure si accende solo per un breve istante. Prima di rivolgervi all'installatore provate a scambiare la pila con quella di un altro trasmettitore eventualmente funzionante: se questa fosse la causa dell'anomalia, sarà sufficiente sostituire la pila con altra dello stesso tipo.

Attenzione! - Le pile contengono sostanze inquinanti: non gettarle nei rifiuti comuni ma utilizzare i metodi previsti dai regolamenti locali.

Sostituzione lampada: prima di eseguire questa operazione togliere alimentazione allo SHELKIT50 - SHELKIT75.

1. Per aprire il coperchio bianco, svitare la vite laterale e sfilare il coperchio.
2. Togliere la lampadina premendo verso l'alto e poi facendola ruotare. Inserire una nuova lampadina da 12V / 21W attacco BA15.



Instructions et recommandations destinées à l'utilisateur de l'opérateur SHELKIT50 - SHELKIT75

• **Avant d'utiliser pour la première fois l'automatisme**, faites-vous expliquer par l'installateur l'origine des risques résiduels et consacrez quelques minutes à la lecture du manuel **d'instructions et d'avertissements pour l'utilisateur** qui vous est remis par l'installateur. Conservez le manuel pour pouvoir le consulter pour n'importe quel doute futur et remettez-le à tout nouveau propriétaire de l'automatisme.

• **Votre automatisme est un équipement qui exécute fidèlement vos commandes**; une utilisation inconsciente et incorrecte peut le rendre dangereux: ne commandez pas le mouvement de l'automatisme si des personnes, des animaux ou des objets se trouvent dans son rayon d'action.

• **Enfants**: une installation d'automatisation garantit un degré de sécurité élevé en empêchant avec ses systèmes de détection le mouvement en présence de personnes ou d'objets et en garantissant une activation toujours prévisible et sûre. Il est prudent toutefois d'éviter de laisser jouer les enfants à proximité de l'automatisme et pour éviter les activations involontaires, de ne pas laisser à leur portée les émetteurs qui commandent la manœuvre: **ce n'est pas un jeu!**

• **Anomalies**: si vous notez une anomalie quelconque dans le fonctionnement de l'automatisme, coupez l'alimentation électrique de l'installation et procédez au débrayage manuel. Ne tentez jamais de le réparer vous-même mais demandez l'intervention de votre installateur de confiance: dans l'intervalle, l'installation peut fonctionner comme un système non automatisé, après avoir débrayé l'opérateur suivant les indications données plus loin.

• **Maintenance**: comme toutes les machines, votre automatisme a besoin d'une maintenance périodique pour pouvoir fonctionner le plus longtemps possible et en toute sécurité. Établissez avec votre installateur un plan de maintenance périodique programmée; Nice conseille une intervention tous les 6 mois pour une utilisation domestique normale mais celle période peut varier en fonction de l'intensité d'utilisation. Toute intervention de contrôle, maintenance ou réparation doit être exécutée exclusivement par du personnel qualifié.

• Même si vous estimez en être capable, ne modifiez pas l'installation et les paramètres de programmation et de réglage de l'automatisme: la responsabilité en incombe à votre installateur.

• L'essai de fonctionnement final, les maintenances périodiques et les éventuelles réparations doivent être documentés par la personne qui s'en charge et les documents doivent être conservés par le propriétaire de l'installation.

Les seules interventions: que l'utilisateur peut et doit effectuer périodiquement sont le nettoyage des verres des photocellules et l'élimination des feuilles et des cailloux qui pourraient bloquer l'automatisme. Pour empêcher que quelqu'un puisse actionner la porte, avant de continuer, n'oubliez pas de **débrayer l'automatisme** (comme nous l'avons décrit) et d'utiliser pour le nettoyage uniquement un chiffon légèrement imbibé d'eau.

• **Mise au rebut**: À la fin de la vie de l'automatisme, assurez-vous que le démantèlement est effectué par du personnel qualifié et que les matériaux sont recyclés ou mis au rebut en respectant les normes locales en vigueur.

• **En cas de ruptures ou absence d'alimentation électrique**: En attendant l'intervention de votre installateur (ou le retour du courant si l'installation est dépourvue de batterie tampon), l'installation peut être actionnée comme n'importe quel autre système non automatisé. Pour cela, il faut effectuer le débrayage manuel: cette opération, qui est la seule pouvant être effectuée par l'utilisateur de l'automatisme, a fait l'objet d'une étude particulière de la part de Nice pour vous assurer toujours une utilisation extrêmement simple et aisée, sans aucun outil ou effort physique.

Débrayage et mouvement manuel: avant d'effectuer cette opération, faire attention au fait que le débrayage ne peut être fait que lorsque la porte est à l'arrêt.

1. Tirer le cordon de débrayage vers le bas jusqu'à sentir le décrochage du chariot (fig. A).

2. Il est maintenant possible d'agir manuellement sur la porte (fig. B).

3. Pour rétablir le fonctionnement de l'automatisme, remettre la porte dans sa position initiale, jusqu'à a sentir l'accrochage du chariot.

Commande avec sécurités hors service: Si les dispositifs de sécurité ne fonctionnent pas correctement ou sont hors service, on peut quand même commander la porte.

- Actionner la commande de la porte (avec la télécommande ou le sélecteur à clé). Si les sécurités donnent leur accord la porte s'ouvrira normalement, autrement: le clignotant émet quelques clignotements mais la manœuvre ne démarre pas (le nombre de clignotements dépend du motif pour lequel la manœuvre ne démarre pas).

- Maintenant, dans les 3 secondes, il faut **actionner** de nouveau la commande et la **maintenir active**.

- Au bout d'environ 2 s le mouvement de la porte commencera en mode « homme mort », c'est-à-dire que tant que la commande est maintenue, le portail continue sa manœuvre: dès que la commande est relâchée, la porte s'arrête.

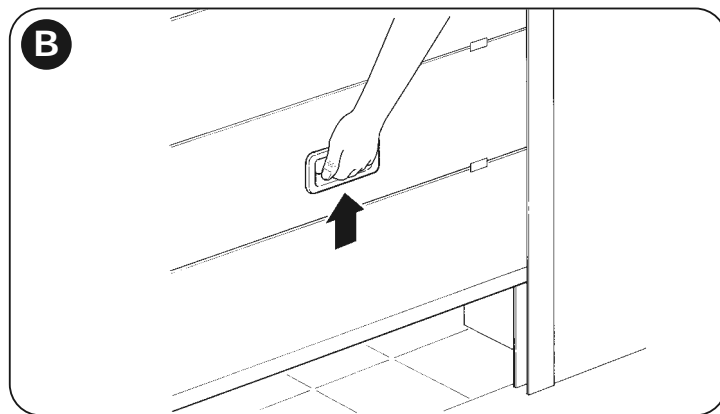
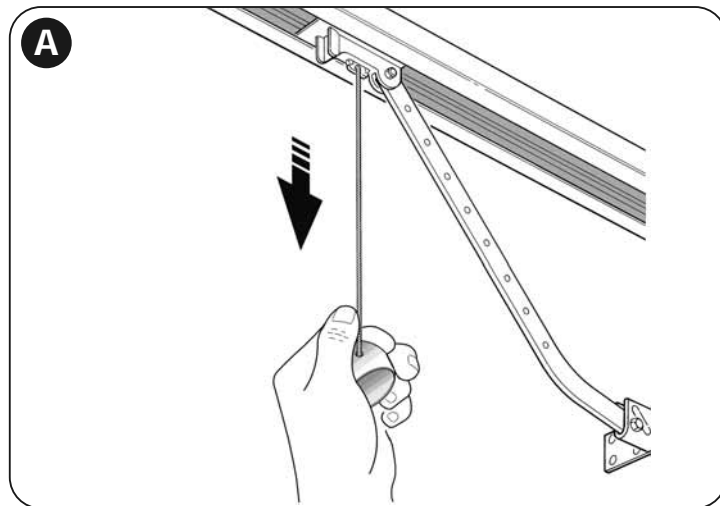
Avec les sécurités hors service, il faut faire réparer au plus tôt l'automatisme.

Remplacement de la pile de l'émetteur: si votre installation est munie d'une radiocommande qui au bout d'une certaine période présente des problèmes de fonctionnement ou ne fonctionne plus du tout, cela pourrait dépendre tout simplement du fait que la pile est usagée (suivant l'intensité d'utilisation, il peut s'écouler plusieurs mois jusqu'à plus d'un an). Vous pouvez vérifier cet état de chose si le voyant de confirmation de la transmission est faible, s'il ne s'allume plus du tout ou s'il ne s'allume qu'un bref instant. Avant de vous adresser à l'installateur, essayez de remplacer la pile en utilisant celle d'un autre émetteur qui fonctionne encore: si cette intervention remédie au problème, il vous suffit de remplacer la pile usagée par une neuve du même type.o.

Attention! – Les piles contiennent des substances polluantes: ne pas les jeter à la poubelle mais suivre les règles de tri sélectif prévues par les réglementations locales.

Remplacement de l'ampoule: avant d'effectuer cette opération, couper l'alimentation du SHELKIT50 - SHELKIT75.

1. Pour ouvrir le couvercle blanc, dévisser la vis latérale et retirer le couvercle.
2. Enlever l'ampoule en l'enfonçant et en la faisant tourner. Monter une ampoule neuve de 12 V / 21 W culot à baïonnette BA15.



Instrucciones y advertencias para el usuario del motorreductor SHELKIT50 - SHELKIT75

• **Antes de usar por primera vez el automatismo**, pida a su instalador que le explique el origen de los riesgos residuales y lea este manual de **instrucciones y advertencias para el usuario** entregado por el instalador. Conserve el manual por cualquier problema que pueda surgir y recuerde entregarlo a un posible nuevo dueño del automatismo.

• **El automatismo ejecuta fielmente los mandos dados**; un uso inconsciente o inadecuado puede ser peligroso. Por consiguiente, no accione el automatismo cuando en su radio de acción haya personas, animales o bienes.

• **Niños**: una instalación de automatización garantiza un elevado grado de seguridad, impidiendo, gracias a sus sistemas de detección, que se mueva ante la presencia de personas o cosas, y garantizando una activación previsible y segura. Procure que los niños no jueguen cerca del automatismo y mantenga los controles remotos lejos de su alcance: **no son un juguete!**

• **Desperfectos**: ni bien note que el automatismo no funciona correctamente, corte la alimentación eléctrica de la instalación y realice el desbloqueo manual. No realice ninguna reparación y llame a su instalador de confianza: una vez desbloqueado el motorreductor, la instalación podrá funcionar manualmente como un cerramiento no automatizado, tal como se describe más adelante.

• **Mantenimiento**: para garantizar una larga vida útil y para un funcionamiento seguro, la instalación, al igual que cualquier otra maquinaria, requiere un mantenimiento periódico. Establezca con su instalador un plan de mantenimiento con frecuencia periódica. Nice aconseja realizar un mantenimiento cada 6 meses para un uso residencial normal, que puede variar según la intensidad de uso. Cualquier tipo de control, mantenimiento o reparación debe ser realizado sólo por personal cualificado.

• Aunque piense que lo sabe hacer, no modifique la instalación ni los parámetros de programación y de regulación del automatismo: la responsabilidad es de su instalador.

• El ensayo, los trabajos de mantenimiento periódico y las posibles reparaciones deben ser documentados por quien los efectúa y los documentos tienen que ser conservados por el dueño de la instalación.

Las únicas operaciones que pueden hacerse y que le aconsejamos efectuar periódicamente son la limpieza de los vidrios de las fotocélulas y la eliminación de hojas o piedras que podrían obstaculizar el automatismo. Para que nadie pueda accionar la puerta, antes de proceder recuerde **desbloquear el automatismo** (como descrito más adelante) y utilice para la limpieza únicamente un paño ligeramente humedecido con agua.

• **Desguace** al final de la vida útil del automatismo, el desguace debe ser realizado por personal cualificado y los materiales deben ser reciclados o eliminados según las normas locales vigentes.

• **En el caso de roturas o falta de alimentación**: esperando la intervención de su instalador, o la llegada de la energía eléctrica si la instalación no está dotada de baterías compensadoras, la automatización puede accionarse igual que cualquier cerramiento no automatizado. A tal fin es necesario realizar el desbloqueo manual (única operación que el usuario puede realizar): dicha operación ha sido estudiada por Nice para facilitar su empleo, sin necesidad de utilizar herramientas ni hacer esfuerzos físicos.

Desbloqueo y movimiento manual: antes de ejecutar esta operación observe que el desbloqueo puede efectuarse sólo cuando la puerta esté detenida.

1. Jale del tirador de desbloqueo hacia abajo hasta sentir que el carro se desenganche (fig. A).

2. Entonces, es posible mover manualmente la puerta (fig. B).

3. Para restablecer el funcionamiento del automatismo, coloque la puerta en la posición original hasta sentir que el carro se engancha.

Accionamiento con dispositivos de seguridad fuera de uso: si los dispositivos de seguridad montados en la puerta no funcionaran correctamente, es de igual forma posible accionar la puerta.

- Accione el mando de la puerta (con el telemando, con el selector de llave, etc.); si todo es correcto, la puerta se abrirá o cerrará normalmente, en caso contrario, la luz intermitente destellará algunas veces y la maniobra no arrancará (la cantidad de destellos depende de la razón que impide que arranque la maniobra).

- En este caso, dentro de tres segundos, accione nuevamente el mando y **manténgalo accionado**.

- Transcurridos alrededor de 2 s, comenzará el movimiento de la puerta en modo "hombre muerto", es decir mientras se mantenga apretado el mando la puerta seguirá moviéndose; ni bien se suelte el mando, la puerta se detendrá.

Con los dispositivos de seguridad fuera de uso es necesario hacer reparar lo antes posible el automatismo.

Sustitución de la pila del telemando: si el radiomando después de transcurrido un cierto período no funciona correctamente o deja de funcionar, podría ser que la pila esté agotada (puede durar desde varios meses a más de un año según el uso). Ud. se podrá dar cuenta de este inconveniente por el hecho de que la luz del indicador de confirmación de la transmisión no se enciende, es

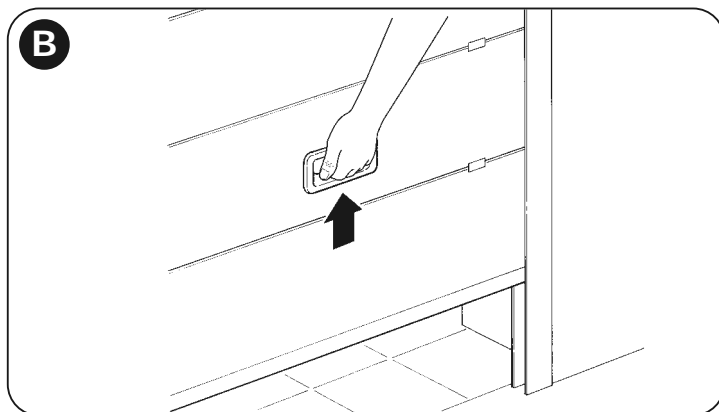
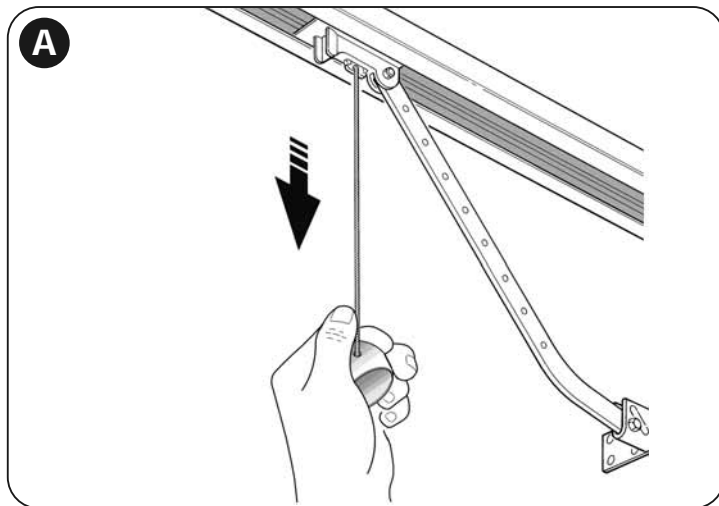
débil, o bien se enciende sólo durante un breve instante. Antes de llamar al instalador, pruebe a sustituir la pila con una de otro transmisor que funcione correctamente: si el problema fuera este, sustituya la pila con otra del mismo tipo.

Atención! – las pilas contiene sustancias contaminantes: no las arroje en los residuos normales sino que elimínelas de acuerdo con las leyes locales.

Sustitución de la bombilla: antes de cumplir esta tarea corte la alimentación del SHELKIT50 - SHELKIT75.

1. Para abrir la tapa blanca, desenrosque el tornillo lateral y extraiga la tapa.

2. Quite la bombilla presionándola hacia arriba y luego girándola. Coloque una bombilla nueva de 12V / 21W conexión BA15.



Anweisungen und Hinweise für den Benutzer des Toröffners SHELKIT50 - SHELKIT75

- **Bevor Sie die Automatisierung zum ersten Mal verwenden**, lassen Sie sich von Ihrem Installateur erklären, wie Restrisiken entstehen können, und widmen Sie dem Lesen **der Anweisungen und Hinweise für den Benutzer**, die Ihnen Ihr Installateur aushändigen wird, ein paar Minuten. Bewahren Sie die Anleitung für zukünftige Zweifelsfälle auf und übergeben Sie diese ggf. einem neuen Besitzer der Automatisierung.

- **Ihre Automatisierung ist eine Maschine, die Ihre Befehle getreu durchführt**; ein verantwortungsloser und unsachgemäßer Gebrauch kann gefährlich werden: verursachen Sie keine Bewegung der Automatisierung, wenn sich Personen, Tiere oder Gegenstände in ihrem Aktionskreis befinden.

- **Kinder**: eine Automatisierungsanlage gewährleistet einen hohen Sicherheitsgrad und verhindert mit ihren Schutzsystemen, dass sie sich bei Anwesenheit von Personen und Gegenständen bewegt, und gewährleistet eine immer vorhersehbare und sichere Aktivierung. Als Vorsichtsmaßnahme sollte man aber Kindern verbieten, in der Nähe der Automatisierung zu spielen, und man sollte die Fernbedienungen nicht in der Reichweite von Kindern lassen: **es handelt sich nicht um ein Spiel!**

- **Störungen**: Schalten Sie die Stromversorgung zur Anlage ab, sobald Sie ein ungewöhnliches Verhalten der Automatisierung bemerken, und führen Sie die manuelle Entriegelung aus. Versuchen Sie nie, selbst Reparaturen auszuführen, sondern fordern Sie den Eingriff Ihres Vertrauensinstallateurs an: in der Zwischenzeit, nachdem Sie den Getriebemotor wie weiter vorne beschrieben entriegelt haben, kann die Anlage wie eine nicht automatisierte Vorrichtung funktionieren.

- **Wartung**: Wie jede Maschine benötigt auch Ihre Automatisierung eine regelmäßige Wartung, damit sie so lange wie möglich und in voller Sicherheit funktionieren kann. Vereinbaren Sie mit Ihrem Installateur einen programmierten Wartungsplan. Nice empfiehlt eine programmierte Wartung alle sechs Monate bei Normalgebrauch für den Haushalt, dieser Zeitraum kann aber je nachdem, wie häufig die Anlage benutzt wird, unterschiedlich sein. Arbeiten wie Wartung, Kontrollen und Reparaturen dürfen nur von Fachpersonal ausgeführt werden.

- Auch wenn Sie meinen, dass Sie wissen, wie das gemacht wird, ändern Sie die Anlage und die programmierten Parameter sowie die Einstellungen der Automatisierung nicht: diese Verantwortung steht Ihrem Installateur zu.

- Die Abnahme, die periodischen Wartungen und eventuelle Reparaturen müssen von dem, der diese Arbeiten ausführt, belegt sein, und diese Belege müssen vom Besitzer der Anlage aufbewahrt werden.

Die einzigen Eingriffe die Sie ausführen und periodisch auch ausführen sollten, sind die Reinigung der Gläser an den Photozellen und die Entfernung eventueller Blätter oder Steine, die den Automatismus behindern könnten. Um zu verhindern, dass jemand das Tor betätigt, entriegeln Sie vor diesen **Arbeiten den Automatismus** (wie weiter vorne beschrieben). Zur Reinigung nur ein mit Wasser leicht benetztes Tuch verwenden.

- **Entsorgung**: Versichern Sie sich, dass die Entsorgung am Ende der Lebensdauer Ihrer Automatisierung von Fachpersonal gemacht wird und dass die Materialien nach den örtlich gültigen Vorschriften recycled oder entsorgt werden.

- **Im Falle von Defekten oder bei Stromausfall**: Warten Sie auf Ihren Installateur oder bis der Strom wieder vorhanden ist, falls Ihre Anlage keine Pufferbatterie hat; die Anlage kann wie eine beliebige nicht automatisierte Öffnungsvorrichtung betätigt werden. Dazu muss die manuelle Entriegelung ausgeführt werden. Diesem Vorgang, der einzige, den der Benutzer der Automatisierung ausführen kann, widmete Nice besondere Aufmerksamkeit, damit Sie diese Vorrichtung immer mit größter Einfachheit, ohne Werkzeug und ohne körperliche Anstrengungen betätigen können.

Entriegelung und Bewegung von Hand **ACHTUNG**: die Entriegelung kann nur ausgeführt werden, wenn das Tor steht.

1. Das Entriegelungsseil nach unten ziehen, bis man hört, dass sich der Wagen ausspannt (**Abb. A**).
2. Nun kann das Tor von Hand betätigt werden (**Abb. B**).
3. Um den Automatismus wieder in Betrieb zu setzen, das Tor in die Anfangsposition zurückbringen, bis man hört, dass sich der Wagen einspannt.

Torbewegung mit Sicherheitsvorrichtungen außer Betrieb: sollten die am Tor vorhandenen Sicherheitsvorrichtungen nicht korrekt funktionieren, kann das Tor trotzdem bewegt werden.

- Einen Befehl zur Bewegung des Tors erteilen (mit der Fernbedienung, dem Schlüsseltaster, usw.); wenn alles in Ordnung ist, wird sich das Tor normal öffnen oder schließen, andernfalls wird die Blinkleuchte mehrmals blinken und es erfolgt keine Bewegung (die Anzahl der Blinkvorgänge hängt von der Ursache ab, warum keine Bewegung erfolgt).
- In diesem Fall muss die Schaltvorrichtung innerhalb von drei Sekunden erneut **betätigt** werden und **betätigt bleiben**.

- Nach ca. 2 s wird die Torbewegung im Modus "Todmann" erfolgen. Das bedeutet, dass sich das Tor bewegen wird, solange Sie die Schaltvorrichtung betätigen; sobald Sie diese loslassen, steht das Tor.

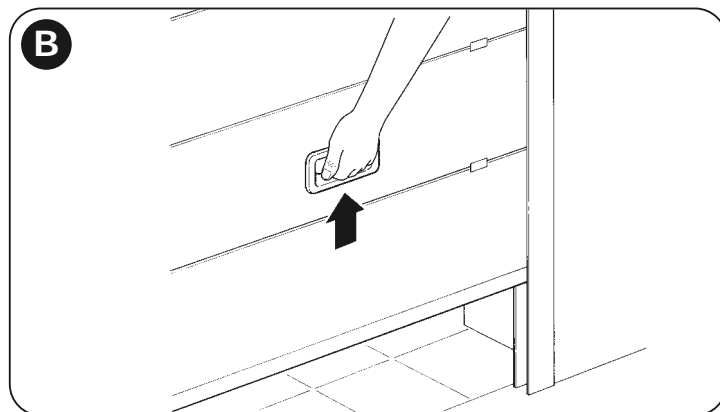
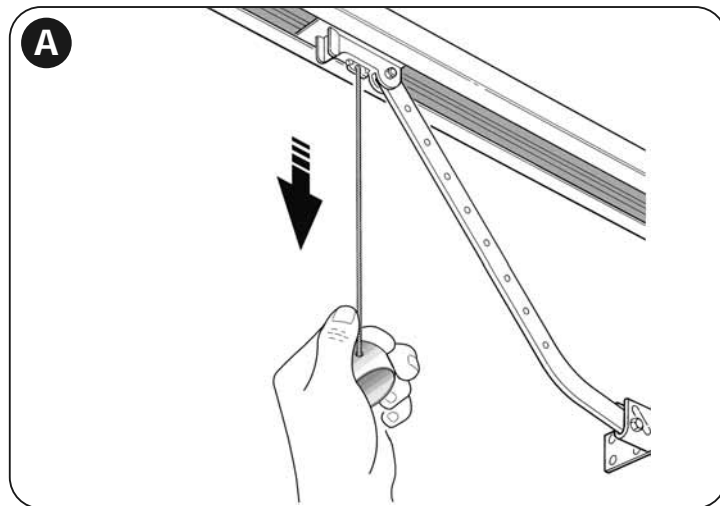
Wenn die Sicherheitsvorrichtungen außer Betrieb sind, muss der Automatismus so schnell wie möglich repariert werden.

Ersatz der Batterie der Fernbedienung: falls Ihre Funksteuerung nach einiger Zeit anscheinend schlechter oder gar nicht funktioniert, so könnte das ganz einfach von der leeren Batterie abhängen (je nach Gebrauch kann das nach mehreren Monaten bis zu mehr als einem Jahr geschehen). Sie können das an dem Leuchtmelder bemerken, der die Sendung bestätigt und nur schwach oder gar nicht oder nur ganz kurz leuchtet. Bevor Sie sich an den Installateur wenden, versuchen Sie, die Batterie mit der eines anderen, funktionierenden Senders auszuwechseln: sollte das die Ursache sein, genügt es, die alte Batterie mit einer anderen gleichen Typs auszuwechseln.

ACHTUNG! – Batterien enthalten Schadstoffe: nicht in den Stadtmüll geben, sondern nach den örtlichen Verordnungen entsorgen.

Ersatz der Glühbirne: vor Durchführung dieser Arbeit, die Stromversorgung zu SHELKIT50 - SHELKIT75 abschalten.

1. Um den weißen Deckel zu öffnen, die seitliche Schraube abschrauben und den Deckel abziehen.
2. Die Birne entfernen, indem sie nach oben gedrückt und gedreht wird. Eine neue Birne mit 12V/21W Anschluss BA15 einsetzen.



Instrukcje i ostrzeżenia skierowane do użytkownika siłownika SHELKIT50 - SHELKIT75

• **Przed pierwszym użyciem automatyki**, poproście instalatora o wyjaśnienie, jakie zagrożenia mogą pojawić się w czasie użytkowania bramy i skąd pochodzą, przeznaczenie kilka minut na przeczytanie **instrukcji i ostrzeżeń dla użytkownika** jakie przekazał wam instalator. Należy przechowywać instrukcje w celu możliwych późniejszych konsultacji i przekazać ją ewentualnemu następnemu użytkownikowi bramy.

• **Wasz automat jest maszyną, która dokładnie wykonuje wasze polecenia**; niewłaściwe lub nieuprawnione użycie może stać się niebezpieczne: nie sterujcie ruchem bramy, jeśli w jej pobliżu znajdują się osoby, zwierzęta lub przedmioty.

• **Dzieci**: automatyka gwarantuje wysoki stopień bezpieczeństwa. Zatrzymuje ruch, gdy jej system zabezpieczający odczyta obecność osób lub rzeczy i gwarantuje uaktywnienie tego systemu w sposób pewny i przewidziany. Bezpieczniej jednak jest zabronić dzieciom bawienia się w pobliżu automatyki jak również pozostawionymi bez nadzoru pilotami, aby uniknąć nieumyślnego włączenia: **to nie zabawka!**

• **Usterki**. Gdy zauważy się jakiegokolwiek niewłaściwe zachowanie automatyki należy odłączyć od niej zasilanie elektryczne i wysprzęglić ręcznie według procedury niżej opisanej. Nie próbujcie sami wykonać jakiegokolwiek naprawy, lecz zwróćcie się o pomoc do waszego zaufanego instalatora: W międzyczasie brama może działać jako otwierana ręcznie (po odblokowaniu siłownika), tak jak to wcześniej opisano.

• **Czynności konserwacyjne**. Automatyka, jak każda maszyna, wymaga okresowych czynności konserwacyjnych, co gwarantuje jej bezpieczne i długoletnie funkcjonowanie. Uzgodnić z waszym instalatorem program okresowych przeglądów konserwacyjnych. Firma Nice poleca, aby przeglądy wykonywać co sześć miesięcy, ale zależy to też od intensywności użytkowania. Jakiegokolwiek przegląd, związany z czynnościami konserwacyjnymi czy naprawą, ma być wykonany przez wykwalifikowany personel.

• Nawet jeśli uważacie że potraficie, nie modyfikujcie urządzenia i parametrów programowania oraz nie regulujcie automatyki: należy to do waszego instalatora.

• Odbiór, konserwacje okresowe i ewentualne naprawy muszą być udokumentowane przez wykonującego je, a dokumentacja przechowywana przez właściciela urządzenia.

Jedynie czynności, które możecie i powinniście wykonywać okresowo, to czyszczenie szybek fotokomórek i usuwanie ewentualnych liści, kamieni i innych obiektów, które mogłyby przeszkodzić w ruchu bramy. Aby uniemożliwić nieoczekiwane uruchomienie bramy, przed rozpoczęciem tych prac pamiętajcie o odblokowaniu automatu (tak jak wcześniej to opisano). Do czyszczenia używajcie jedynie ściereczki lekko zwilżonej wodą.

• **Złomowanie**. Po zakończeniu okresu użytkowania automatyki dopilnujcie, aby likwidacja została przeprowadzona przez wykwalifikowany personel i aby materiały zostały poddane recyklingowi lub utylizacji zgodnie z obowiązującymi przepisami.

• **W wypadku uszkodzenia lub braku zasilania**. Oczekując na waszego instalatora lub do momentu przywrócenia zasilania (jeśli urządzenie nie jest wyposażone w dodatkowy akumulator), brama może być używana jako obsługiwana ręcznie. W tym celu należy wykonać wysprzęglenie siłownika (jedynie działanie dozwolone użytkownikowi): ta operacja została szczególnie przemyślana przez Nice, aby zapewnić wam maksymalną łatwość bez użycia specjalnych narzędzi lub dużego wysiłku fizycznego.

Odblokowanie i ruch ręczny: przed wykonaniem tej operacji zwróćcie uwagę na to, że odblokowanie może być wykonane jedynie wtedy skrzydło jest nieruchome.

1. Pociągnąć za linkę odblokowującą do dołu, aż do usłyszenia odłączenia wózka (rys. A).

2. Teraz można ręcznie przesunąć (rys. B).

3. Aby przywrócić funkcjonowanie automatyki delikatnie i powoli ustawić bramę w pozycji początkowej aż do usłyszenia "kliknięcia" i zaszprzęglenia wózka.

Sterowanie z niesprawnymi urządzeniami bezpieczeństwa: w wypadku kiedy urządzenia bezpieczeństwa znajdujące się na bramie nie działają prawidłowo, można również sterować bramą.

- Uruchomić bramę (pilotem, nadajnikiem radiowym, przełącznikiem itp.); jeśli wszystko jest w porządku, brama zadziała w sposób normalny, w przeciwnym wypadku lampa ostrzegawcza kilka razy błysnie i manewr nie rozpocznie się (ilość błysków zależy od przyczyny dla której manewr nie może się rozpocząć)

- W tym przypadku, w przeciągu 3 sekund należy powtórnie włączyć i trzymać włączone sterowanie.

- Po około 2 sekundach rozpocznie się ruch bramy w trybie "Manualnym", to znaczy brama się przesunęła dopóki wciskamy przycisk (lub trzymamy przekreślony kluczyk) a po ich puszczeniu natychmiast zatrzyma się.

Przy niedziałających zabezpieczeniach należy jak najprędzej naprawić system.

Wymiana baterii w pilocie jeśli wasz pilot po jakimś czasie używania ma zmniejszony zasięg lub w ogóle przestał działać, może to być po prostu skut-

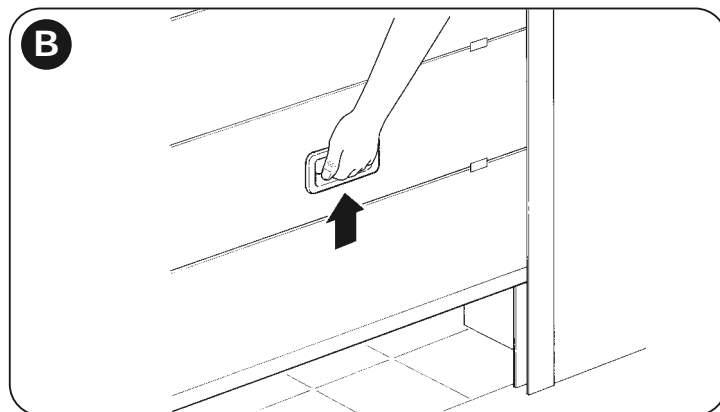
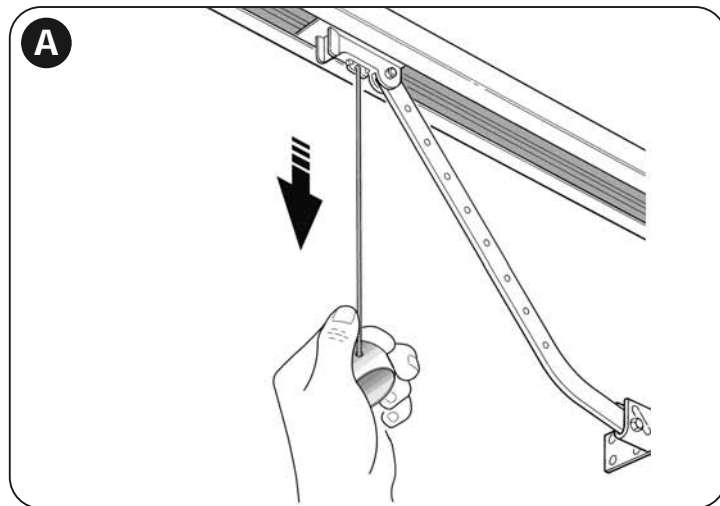
kiem wyczerpania się baterii (w zależności od intensywności używania, bateria wytrzyma od kilku miesięcy do ponad roku). Możecie sprawdzić fakt wyczerpania baterii ponieważ dioda potwierdzenia na pilocie nie zapala się, albo świeci bardzo słabo, lub zapala się tylko na chwilę. Przed zwróceniem się do instalatora, spróbujcie zamienić baterie na inne, wyjęte z nadajnika działającego prawidłowo: jeśli to jest powodem niedziałania, to wystarczy wymienić baterię na nową tego samego typu.

Uwaga: Baterie zawierają substancje trujące: nie wyrzucajcie ich do śmieci ale usuńcie zgodnie z aktualnymi przepisami. Nie wyrzucać do śmieci, ale przy ich zbyciu należy dostosować się do miejscowych norm i regulaminów w tej materii.

Wymiana żarówki przed wykonaniem tej operacji należy odciąć zasilanie od SHELKIT50 - SHELKIT75.

1. Aby otworzyć białą pokrywę należy wykręcić boczną śrubę i następnie zdjąć pokrywę.

2. Wyjąć żarówkę naciskając do góry i obracając ją. Włożyć nową żarówkę 12V / 21W z cokołem BA15.



Aanwijzingen en aanbevelingen bestemd voor de gebruiker van de reductiemotor SHELKIT50 - SHELKIT75

• **Voordat u de automatisering voor de eerste maal gaat gebruiken**, is het raadzaam u door de installateur te laten uitleggen waar de restrisico's ontstaan, en enkele minuten van uw tijd te besteden aan het lezen van deze handleiding met **aanwijzingen en aanbevelingen voor de gebruiker die de installateur** u overhandigd heeft. Bewaar deze handleiding voor eventuele toekomstige twijfels en geef haar aan een eventuele nieuwe eigenaar van de automatisering.

• **Uw automatisering is een machine die getrouwelijk uw instructies opvolgt**; onverantwoordelijk en oneigenlijk gebruik kan maken dat het een gevaarlijke machine wordt: laat de automatisering niet werken als er zich mensen, dieren of zaken binnen haar bereik bevinden.

• **Kinderen**: een automatiseringsinstallatie biedt een hoge graad van veiligheid, doordat ze met haar beveiligingssystemen de manoeuvre bij aanwezigheid van mensen of zaken onderbreekt en altijd een voorspelbare en veilige activering garandeert. Het is in ieder geval verstandig kinderen te verbieden in de buurt van de installatie te spelen en de afstandsbedieningen buiten hun bereik te houden om te voorkomen dat de installatie per ongeluk in werking komt: **het is geen speelgoed!**

• **Storingen**: Zodra u constateert dat de automatiseringsinstallatie niet werkt zoals ze dat zou moeten doen, dient u de stroomtoevoer naar de installatie te onderbreken en haar handmatig te ontgrendelen. Probeer niet zelf te repareren, maar roep de hulp van uw vertrouwensinstallateur in: intussen kan de installatie werken als een niet geautomatiseerde toegang, wanneer u de reductiemotor op de hieronder beschreven manier ontgrendeld hebt.

• **Onderhoud**: Zoals elke machine heeft uw installatie periodiek onderhoud nodig om haar zo lang mogelijk en geheel veilig te laten werken. Stel met uw installateur een onderhoudsplan met periodieke frequentie op: Nice raadt bij normaal gebruik bij een woning een onderhoudsbezoek om het half jaar aan, maar dit tijdsbestek kan variëren in functie van een meer of minder intensief gebruik. Alle controle-, onderhouds- of reparatiewerkzaamheden mogen uitsluitend door gekwalificeerd personeel worden uitgevoerd.

• Ook al bent u van mening dit te kunnen doen, breng geen wijzigingen aan de installatie en de programmerings- en afstellingsparameters van uw automatiseringsinstallatie aan: uw installateur is aansprakelijk.

• De opleveringstest, de periodieke onderhoudswerkzaamheden en de eventuele reparatiewerkzaamheden dienen gedocumenteerd te worden door wie die uitvoert en de documenten dienen door de eigenaar van de installatie bewaard te worden.

De enige werkzaamheden die de gebruiker regelmatig kan en moet uitvoeren zijn het reinigen van de glasjes van de fotocellen en het verwijderen van bladeren en stenen die het automatisme in diens werking kunnen belemmeren. Om te voorkomen dat iemand de deur in beweging kan brengen dient u eraan te denken voordat u **dit gaat doen het automatisme** (zoals verderop beschreven) te ontgrendelen en voor het schoonmaken alleen een enigszins vochtige in water gedrenkte doek te gebruiken.

• **Afvalverwerking**: Als de automatisering niet meer gebruikt kan worden, dient u zich ervan te vergewissen dat de sloop daarvan door gekwalificeerd personeel wordt uitgevoerd en dat het materiaal volgens de plaatselijk geldende voorschriften wordt hergebruikt of naar de afvalverwerking wordt gezonden.

• **In geval van defecten of stroomuitval**: In afwachting van het bezoek van uw installateur, (of het terugkeren van de elektrische stroom als de installatie niet van bufferbatterijen voorzien is), mag de installatie gebruikt worden als elke andere niet-geautomatiseerde toegang. Hiertoe dient u de automatisering handmatig te ontgrendelen: aan deze handeling, die de enige is die de gebruiker van de automatisering mag uitvoeren, heeft Nice bijzonder veel aandacht besteed om u altijd een maximum aan gebruiksvriendelijkheid te garanderen, zonder dat u gereedschap moet gebruiken of fysieke kracht moet aanwenden.

Ontgrendeling en handmatige manoeuvre: prima di Voordat u dit gaat doen dient u erop te letten dat ontgrendeling alleen kan plaatsvinden wanneer de deur dicht is.

1. Trek het ontgrendelingskabeltje zover naar beneden totdat u hoort dat de wagen los komt (afb. A).
2. Nu kunt u de deur handmatig bewegen (afb. B).
3. Om naar de automatische functie van het automatisme terug te keren dient u de deur in de beginstand terug te brengen totdat u hoort dat de wagen vastgehaakt wordt.

Bediening wanneer de veiligheidsinrichtingen buiten gebruik zijn: indien de veiligheidsinrichtingen van de deur niet correct mochten functioneren, kunt u de deur toch bedienen.

- Activeer de bediening van de deur (met de afstandsbediening, sleutelschakelaar, etc.): als alles in orde is zal de deur normaal open of dicht gaan, anders zal het knipperlicht enkele malen knipperen en zal de manoeuvre niet van start gaan (het aantal malen dat het knipperlicht knippert heeft te maken met de reden waarom de manoeuvre niet van start kan gaan).
- In dit geval moet u de bedieningsinrichting binnen 3 seconden nogmaals **activeren en geactiveerd houden**.

- Na ongeveer 2 s komt de deur in beweging en wel in de modus "iemand aanwezig", d.w.z. zolang de bedieningsinrichting geactiveerd blijft, beweegt de deur; zodra de bedieningsinrichting losgelaten wordt, stopt de deur.

Wanneer de beveiligingen buiten gebruik zijn, moet het automatisch zo snel mogelijk gerepareerd worden.

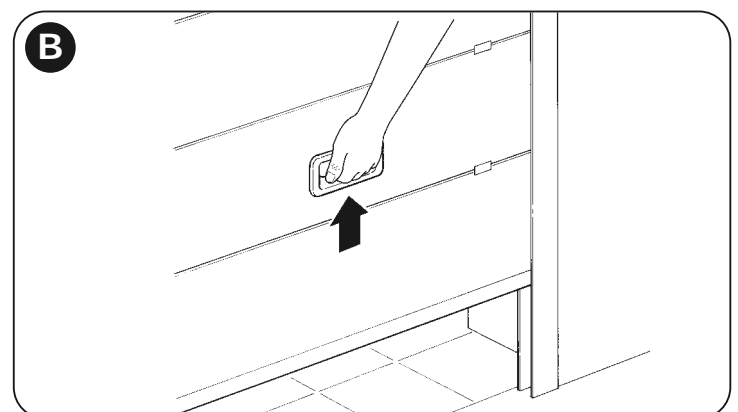
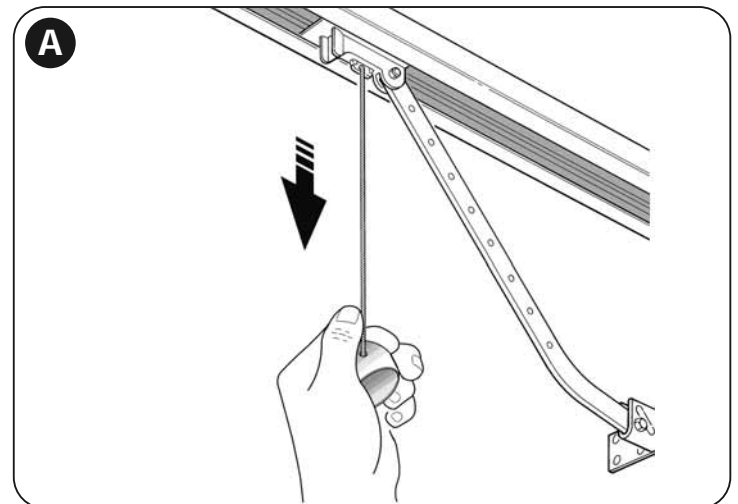
Vervanging van de batterij van de afstandsbediening: als uw afstandsbediening na enige tijd minder lijkt te werken, of helemaal niet te werken, zou dit eenvoudigweg kunnen komen omdat de batterij leeg is (afhankelijk van het type daarvan kan dat na verschillende maanden of na twee/drie jaar zijn). U kunt dit zien doordat het waarschuwingslampje dat de doorzending bevestigt, zwak brandt, of helemaal niet brandt, of slechts eventjes brandt. Voordat u zich tot de installateur wendt kunt u proberen de batterij van een andere zender die wél werkt, in te zetten: als dit de oorzaak van de storing is, hoeft u alleen maar een nieuwe batterij van hetzelfde type in te zetten.

Let op! - De batterijen bevatten vervuulende stoffen: gooi ze niet met het gewone huisvuil weg, maar gebruik de methoden die in de plaatselijke voorschriften voorzien zijn.

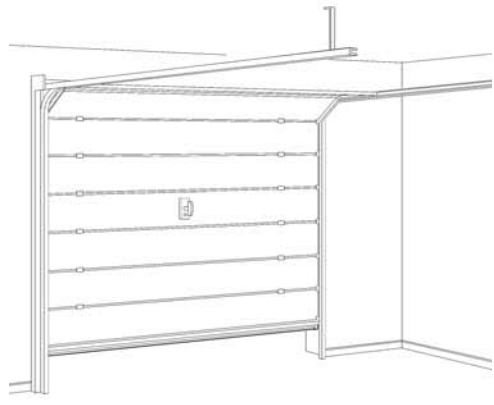
Vervanging van de lamp: voordat u dit gaat doen dient u eerst de stroomtoevoer naar de SHELKIT50 - SHELKIT75 te onderbreken.

1. Voor het openen van de witte dekplaat dient u de schroef aan de zijkant los te draaien en de dekplaat weg te trekken.

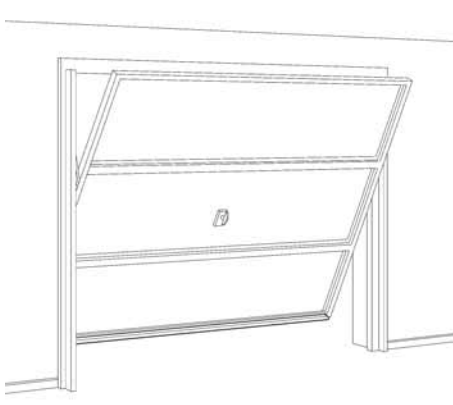
2. Verwijder het lampje door het naar boven te duwen en daarna te draaien. Breng een nieuw lampje van 12V / 21W met een fitting BA15 aan.



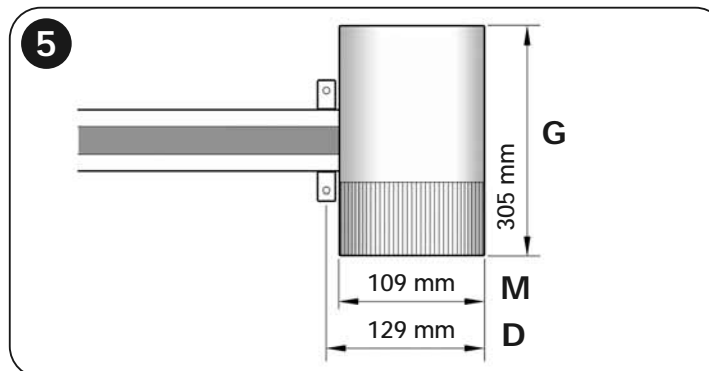
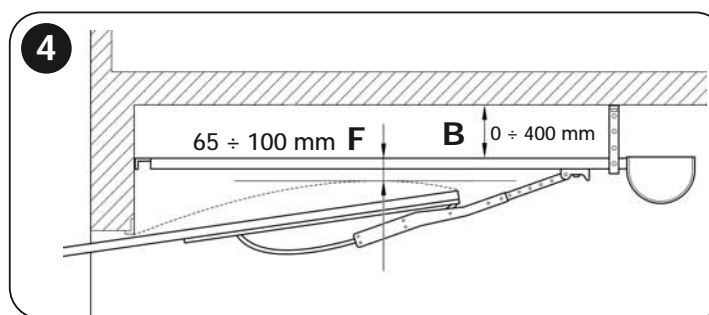
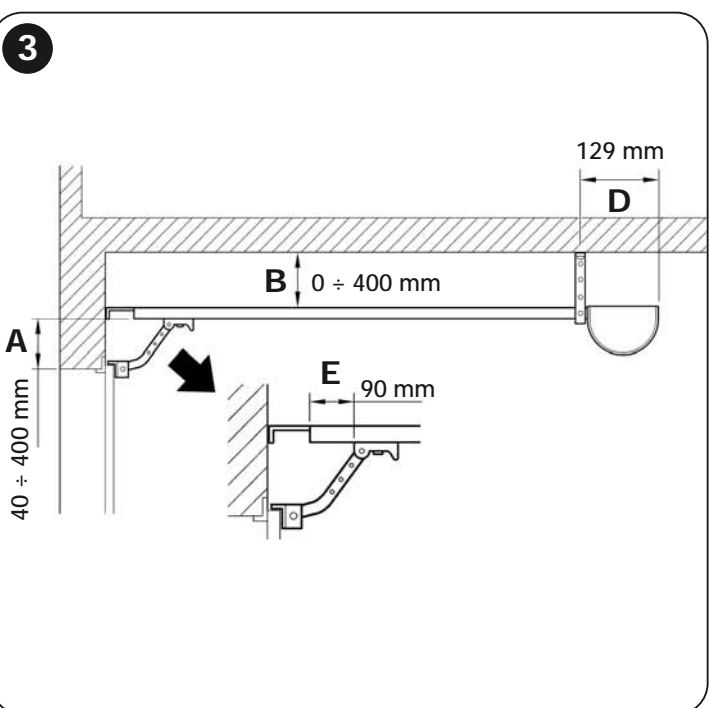
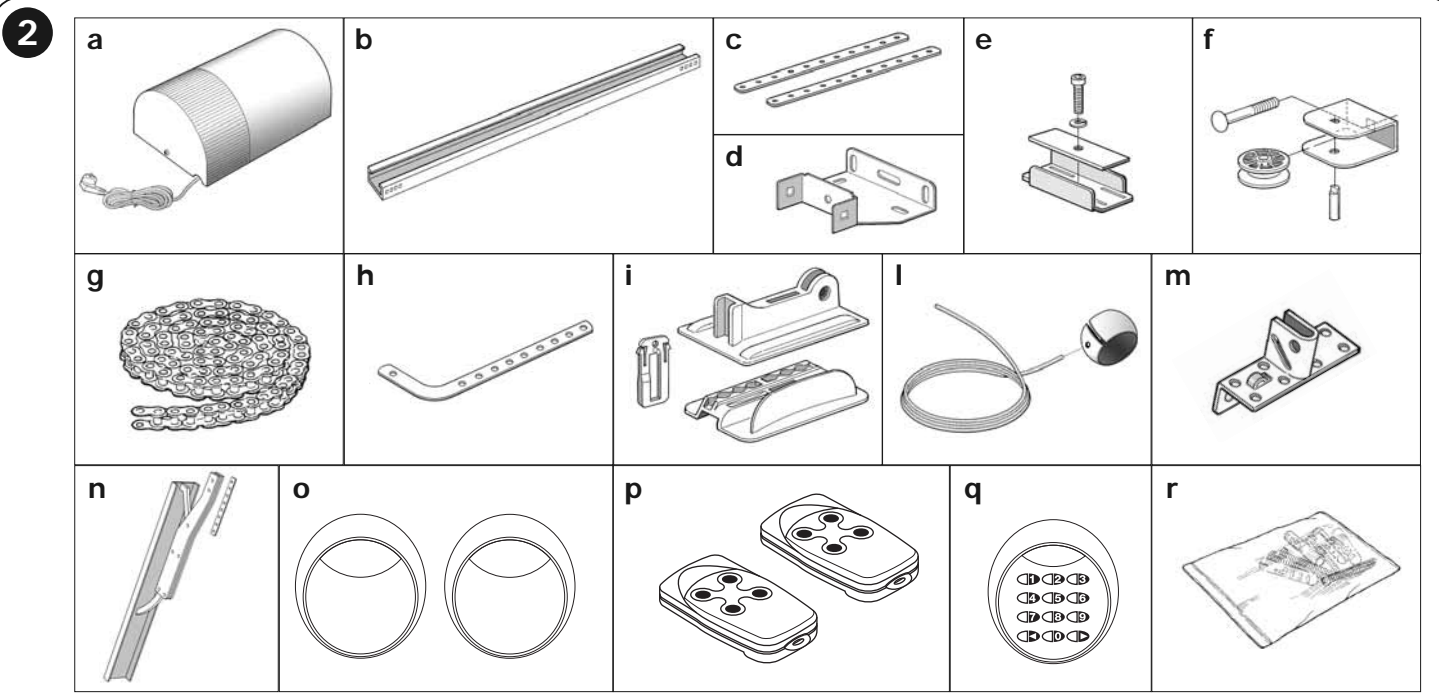
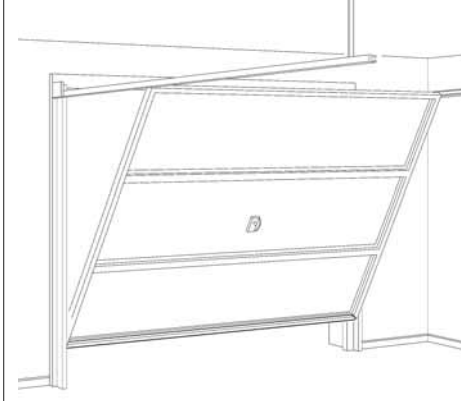
1 EN SECTIONAL - IT SEZIONALE -
FR SECTIONNELLE - ES SECCIO-
NAL - DE SEKTIONALTOR -
PL BRAMA SEGMENTOWA -
NL SECTIONAAL

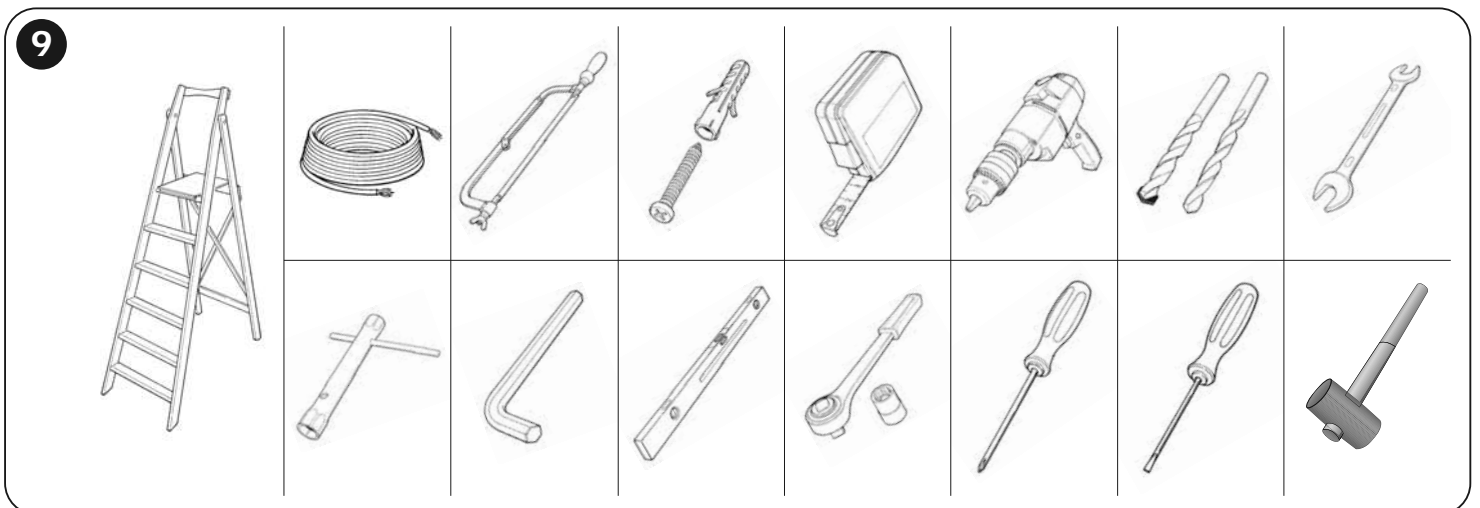
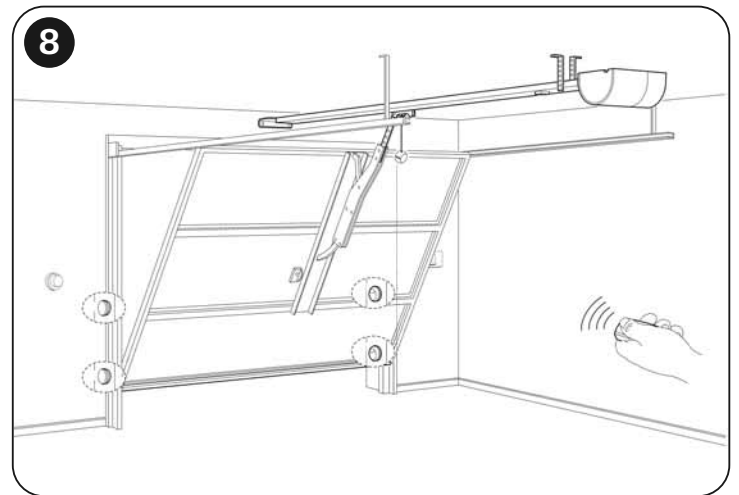
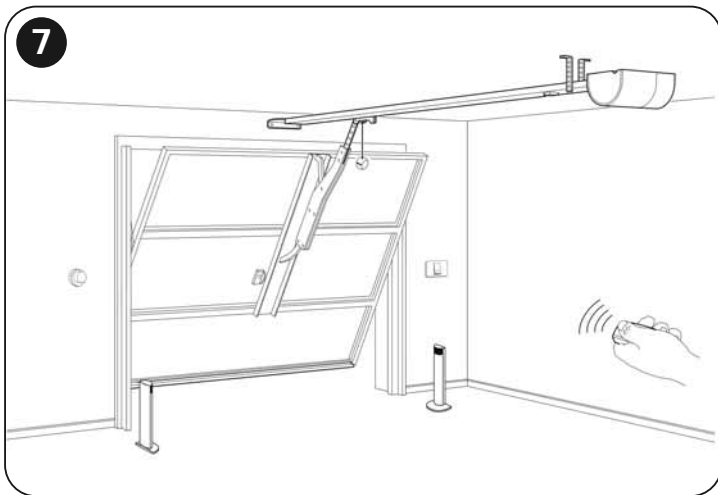
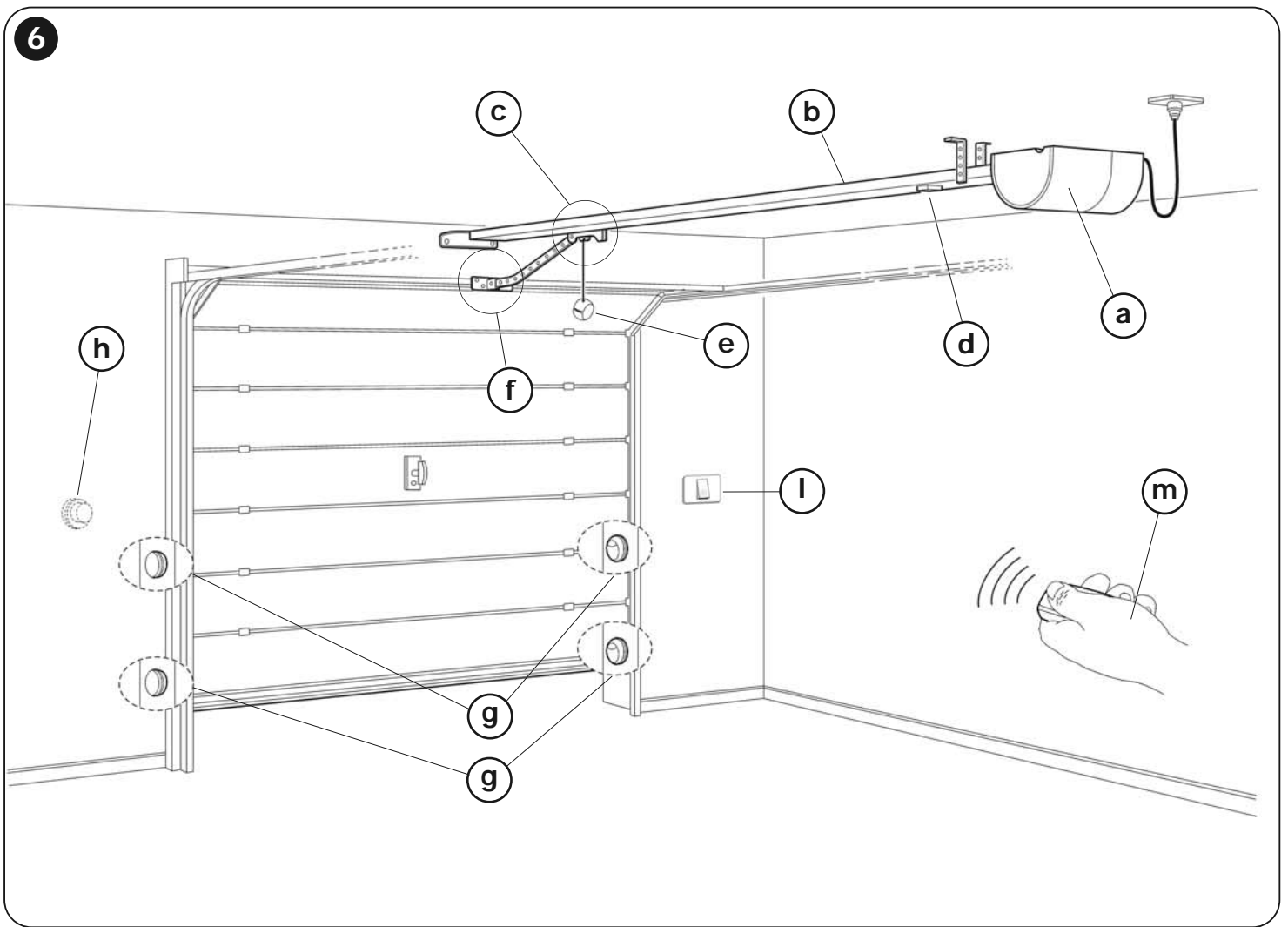


EN PROJECTING - IT DEBOR-
DANTE - FR DÉBORDANTE -
ES DESBORDANTE - DE AUSFA-
HREND - PL WYSTAJĄCA -
NL BUITEN DE GEVEL DRAAIEND

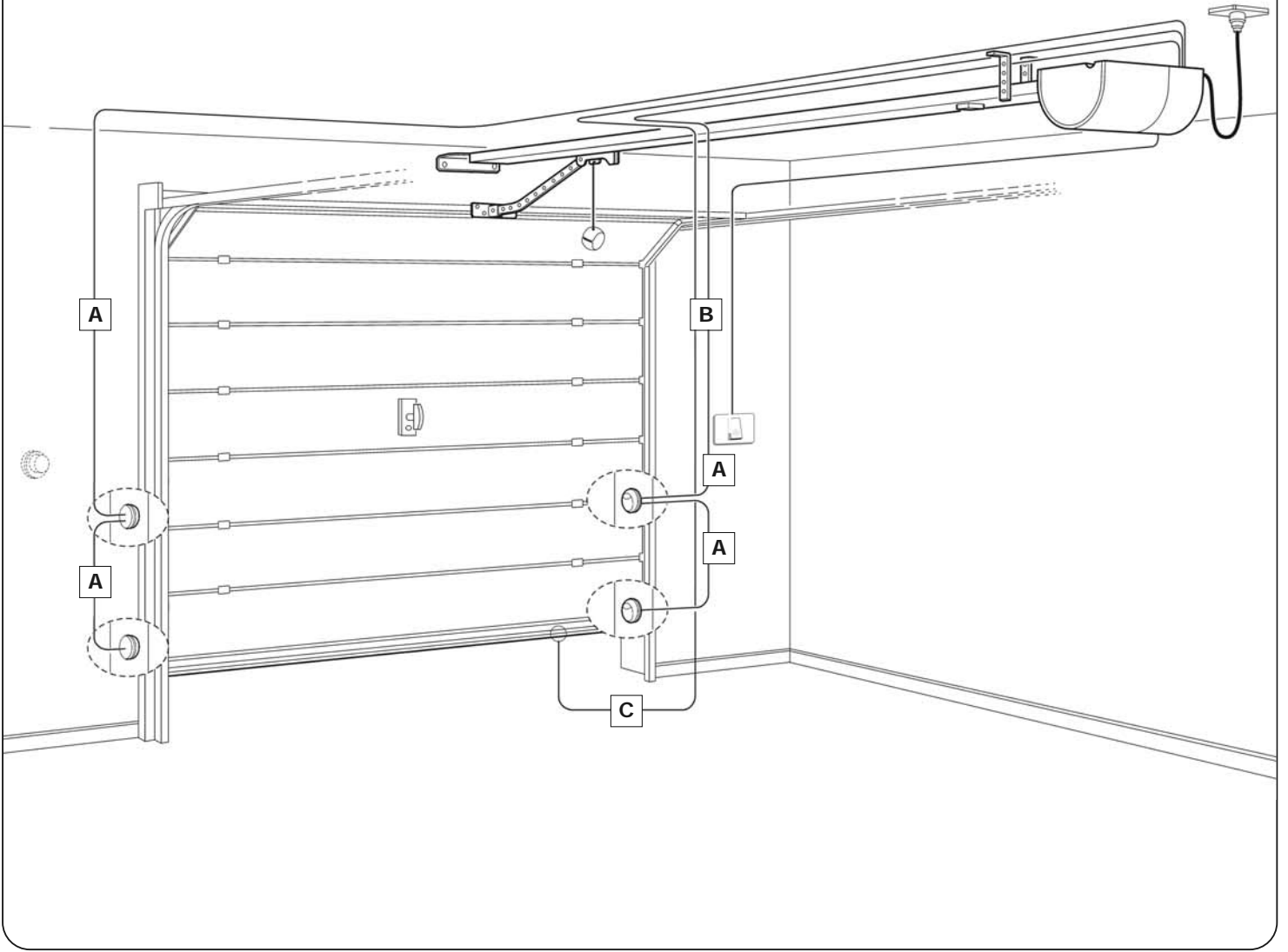


EN NON-PROJECTING - IT NON
DEBORDANTE - FR NON DÉBOR-
DANTE - ES NO DESBORDANTE -
DE NICHT AUSFAHREND -
PL NIWYSTAJĄCA - NL BINNEN
DE GEVEL BLIJVEND

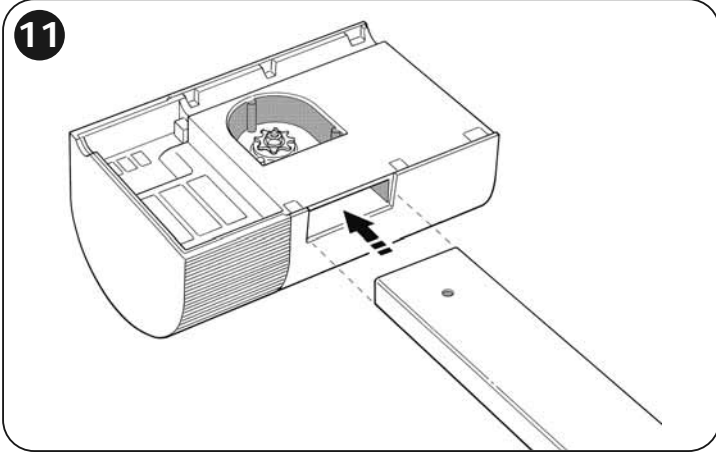




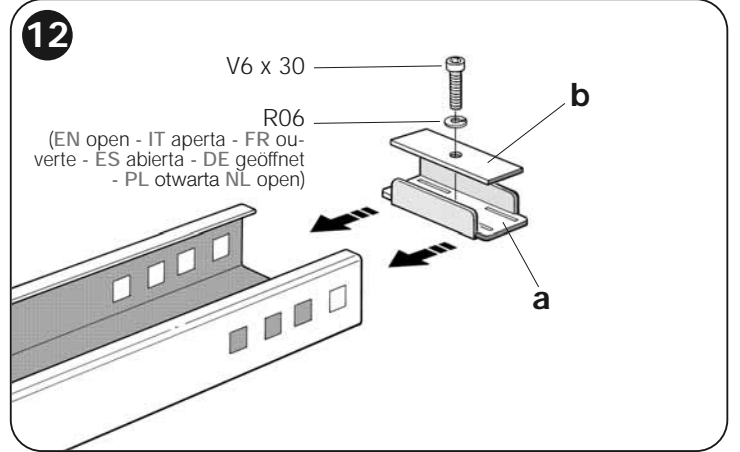
10



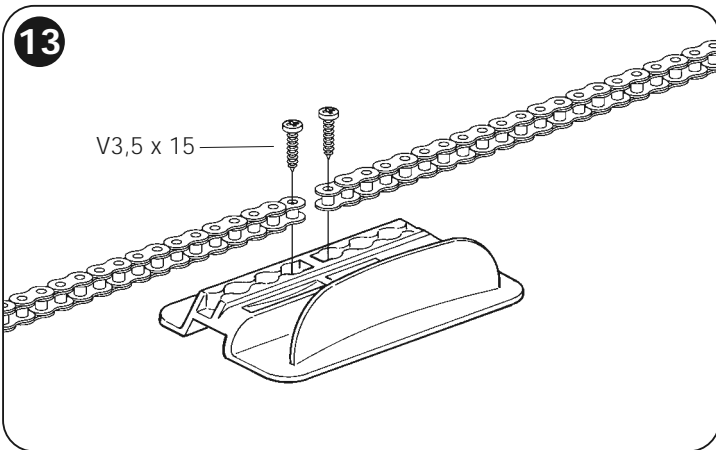
11



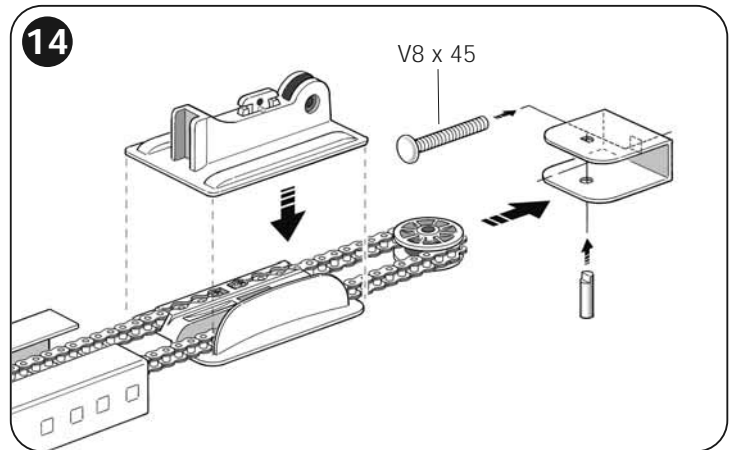
12



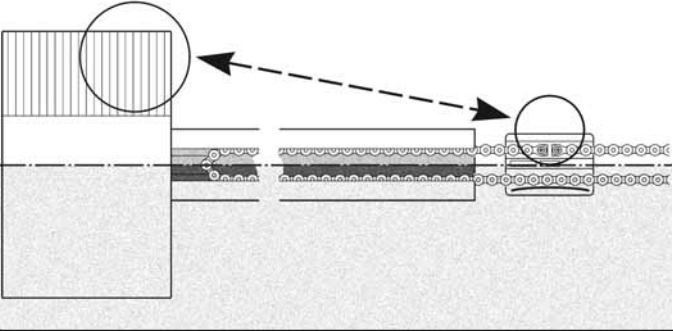
13



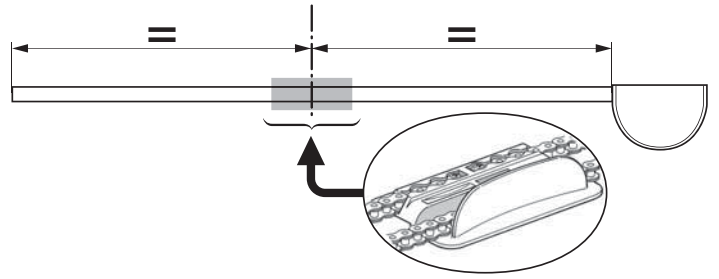
14



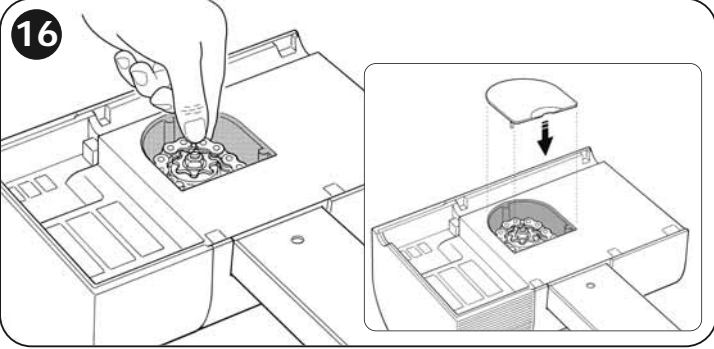
15-a



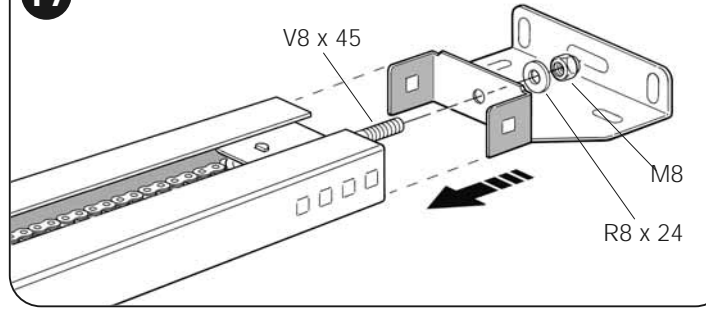
15-b



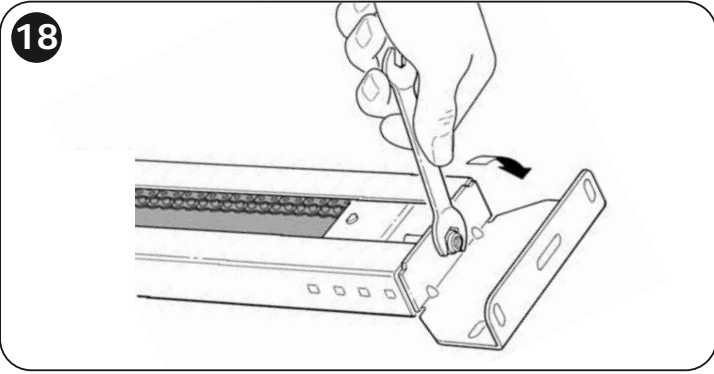
16



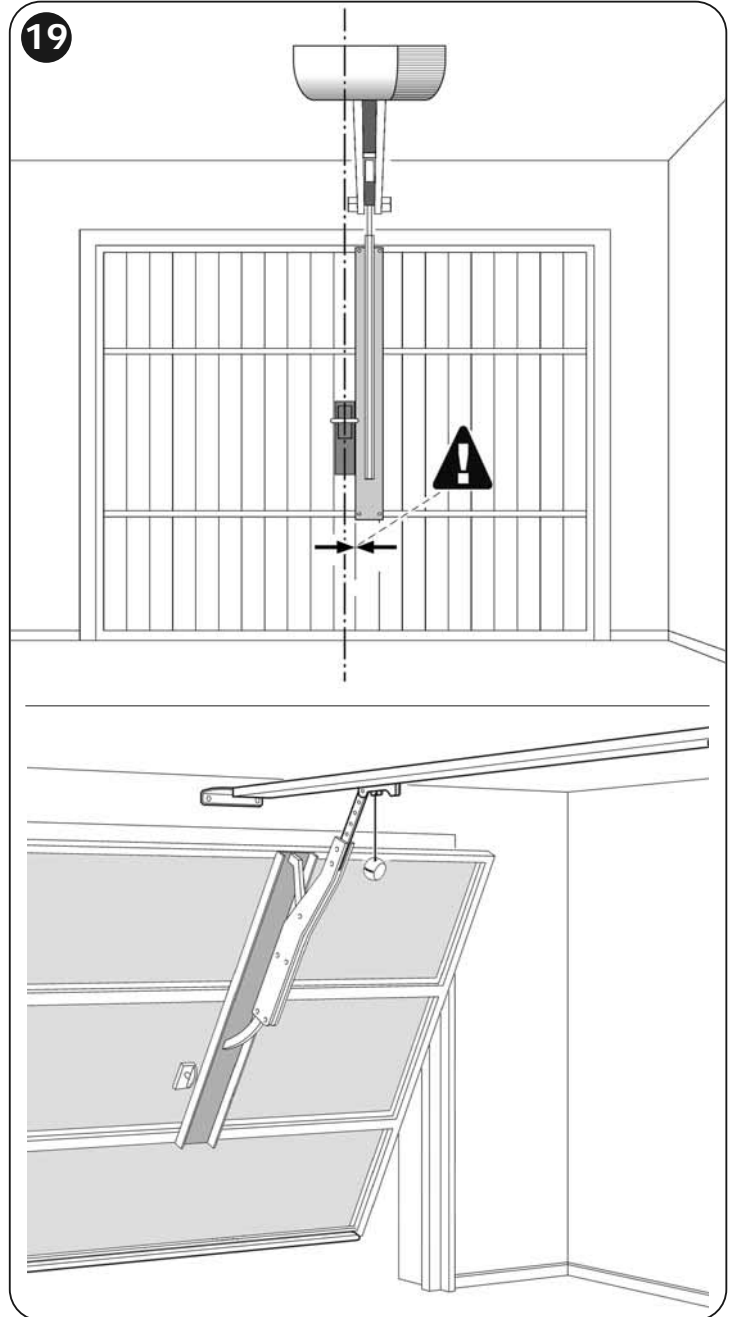
17



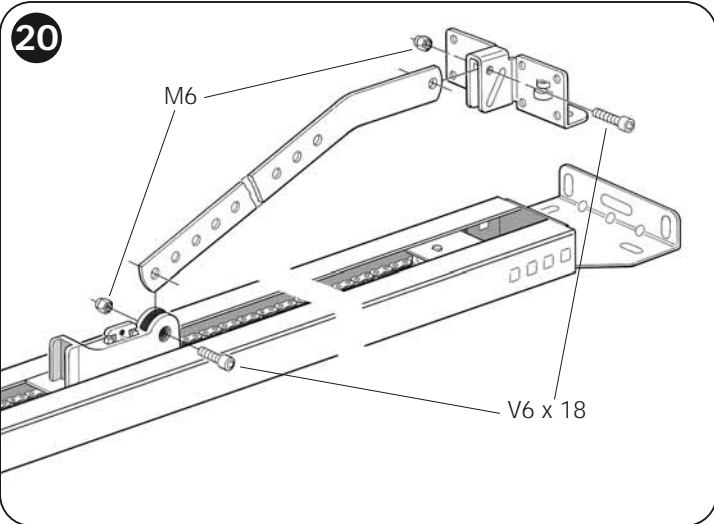
18



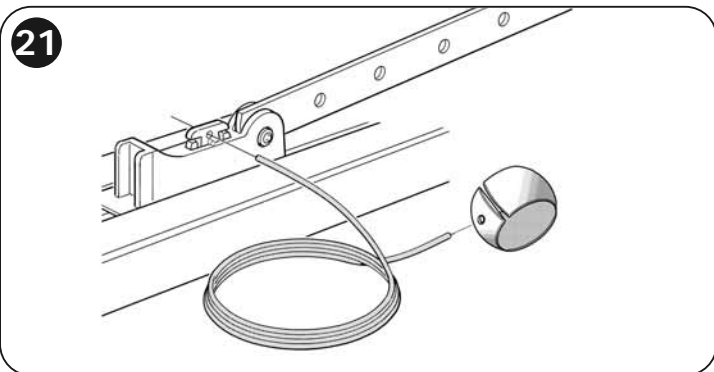
19

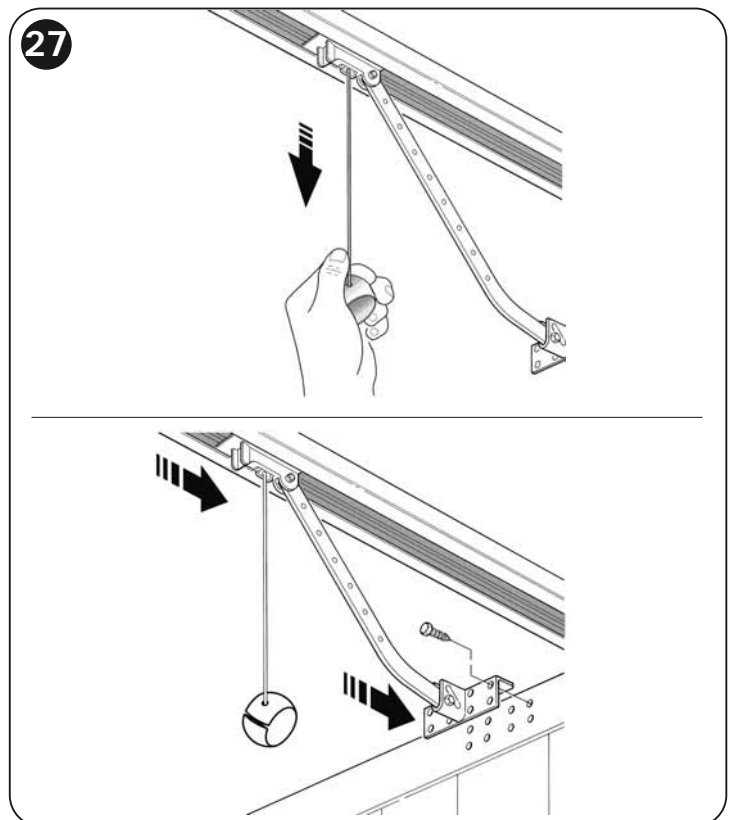
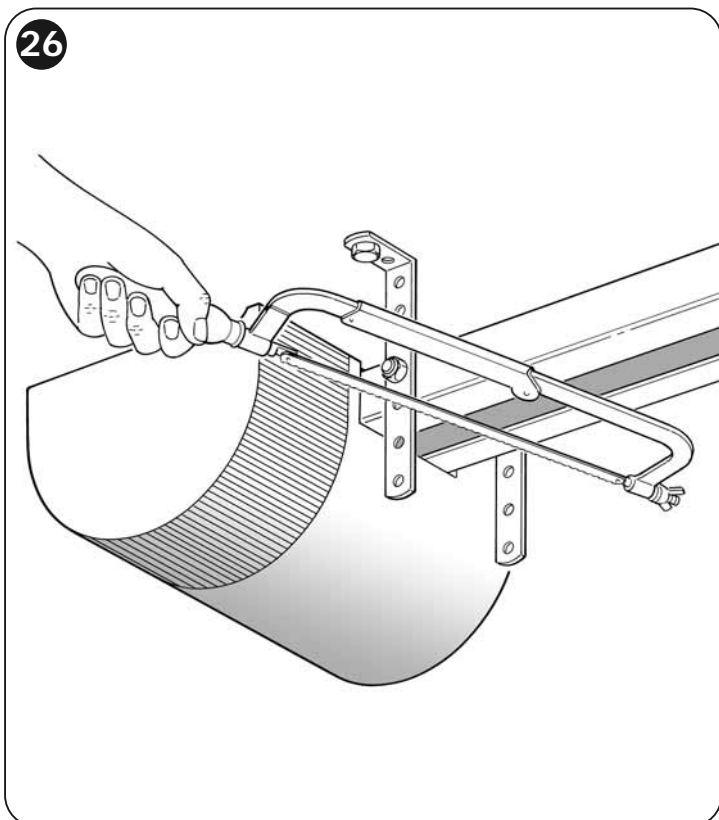
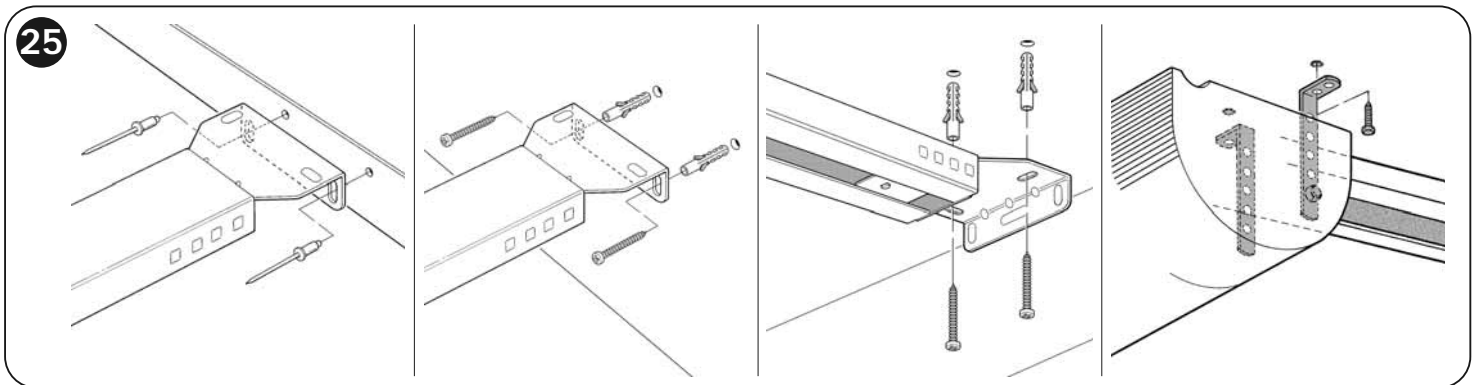
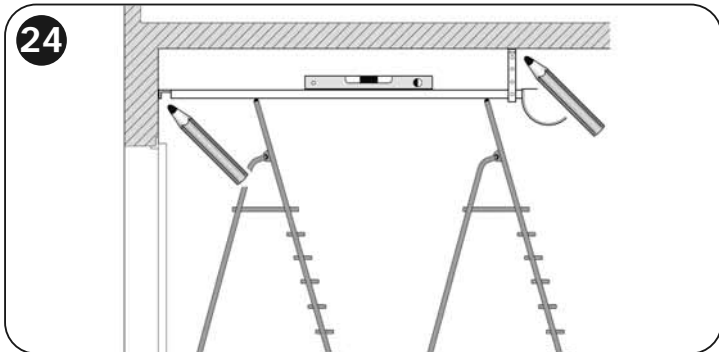
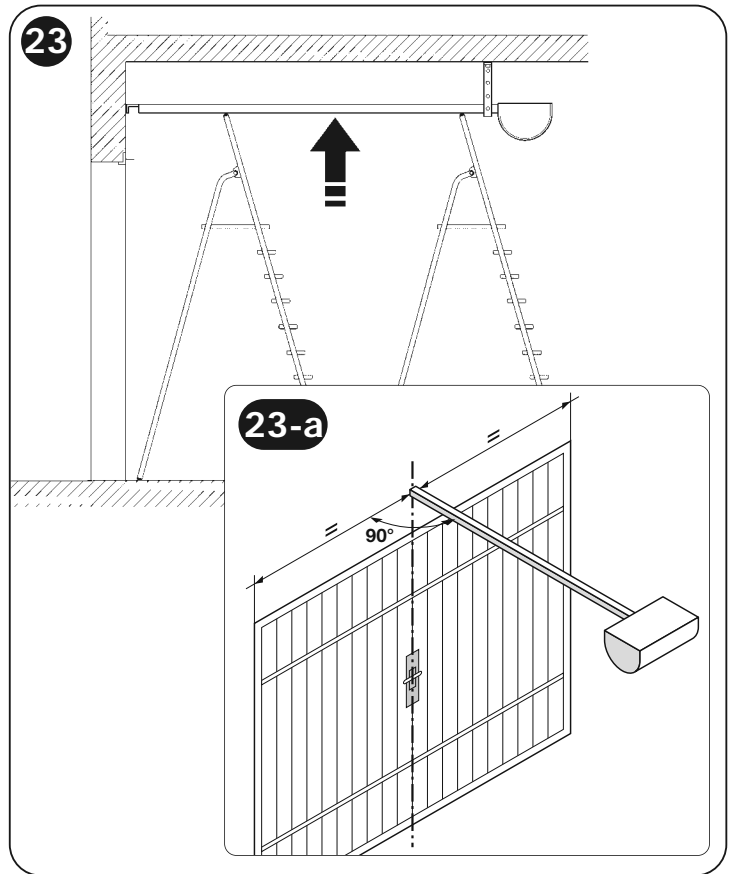
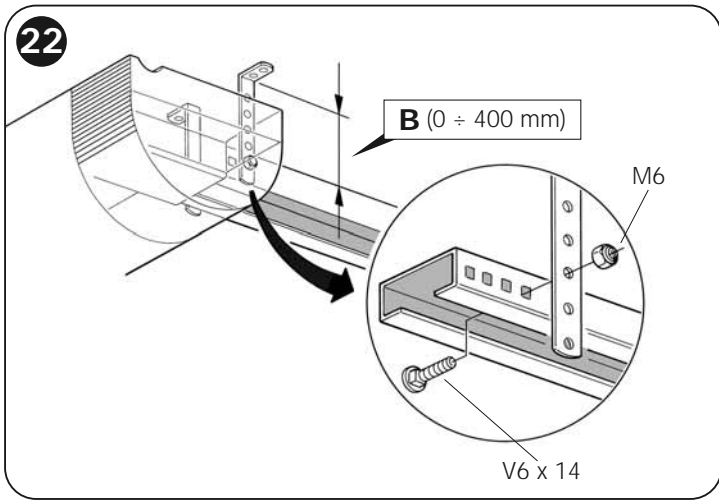


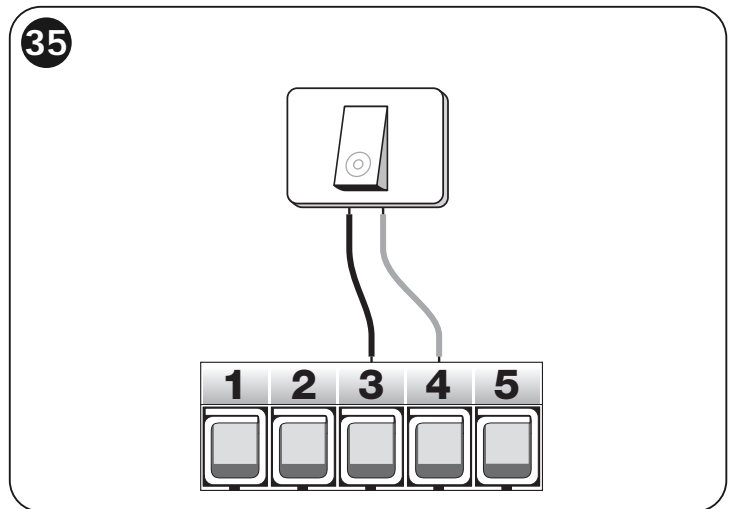
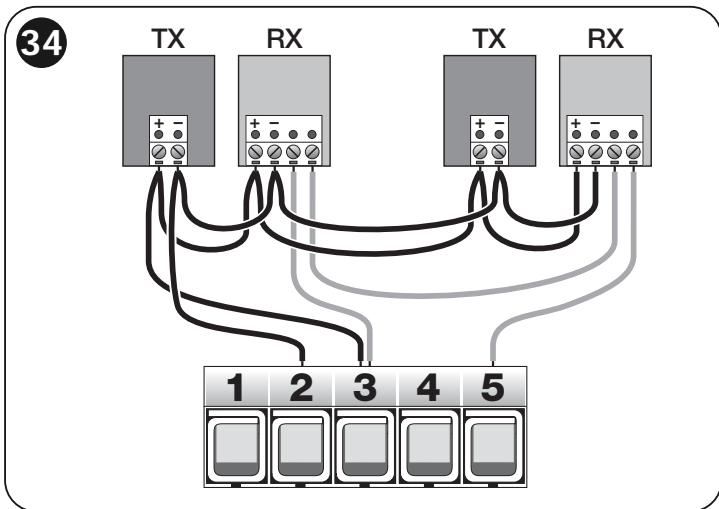
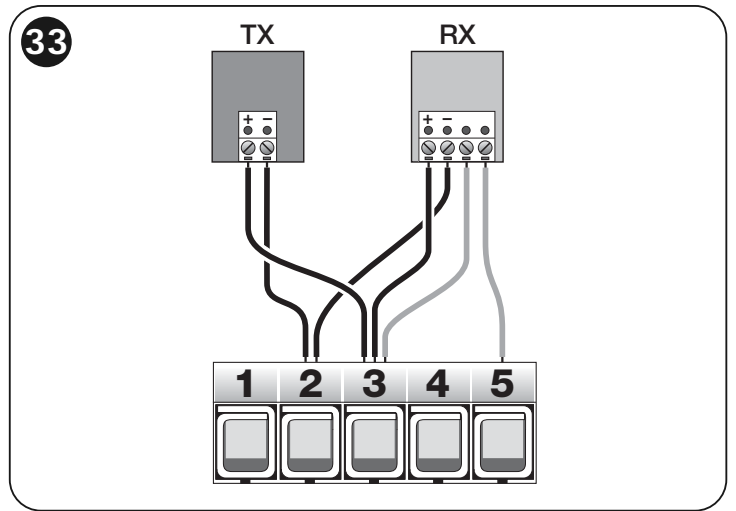
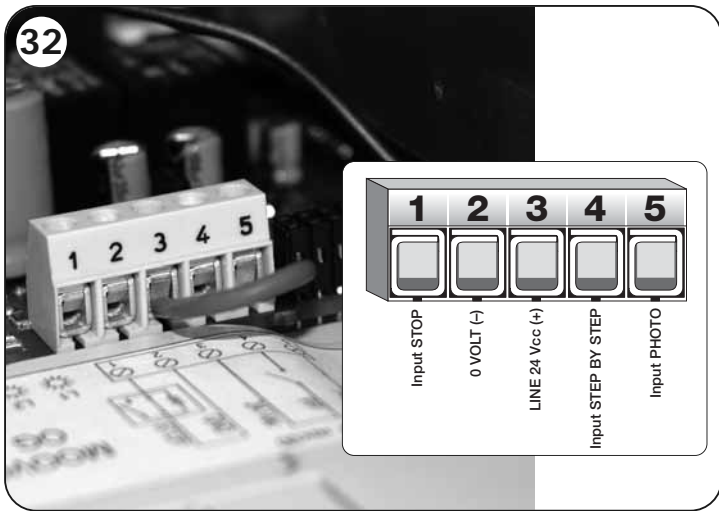
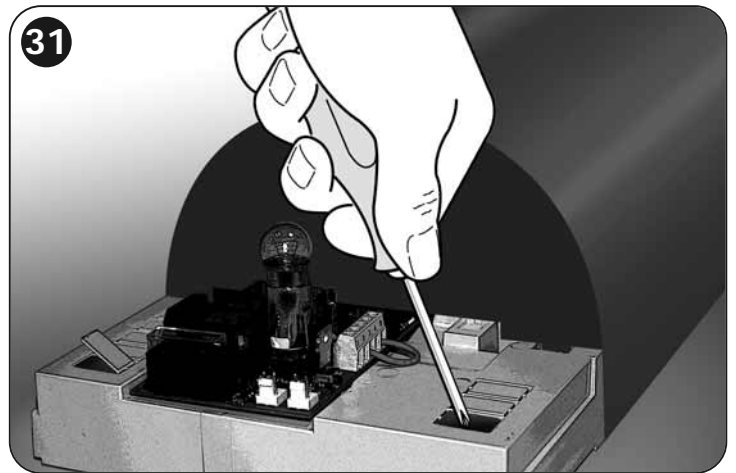
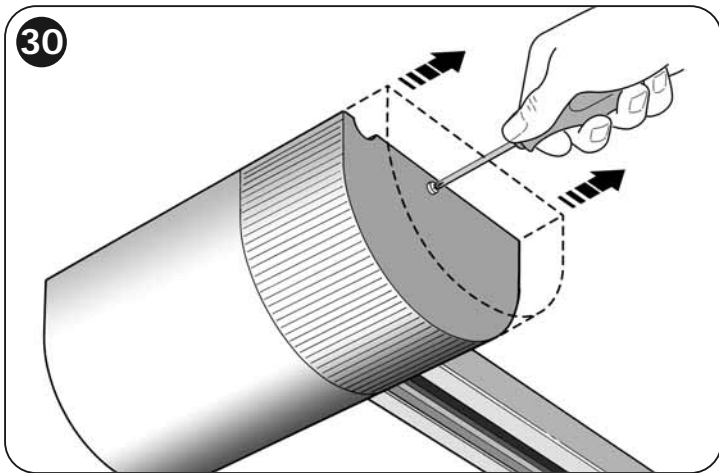
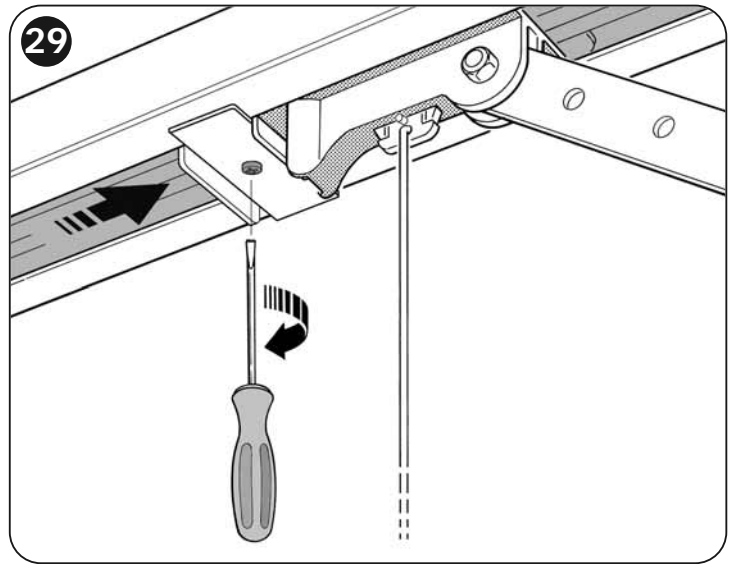
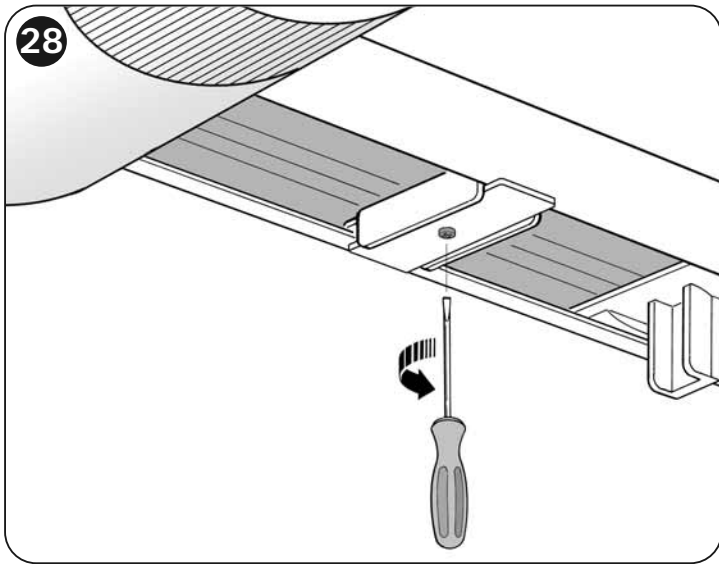
20



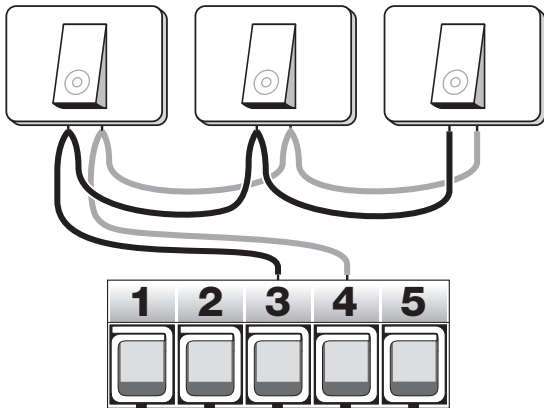
21



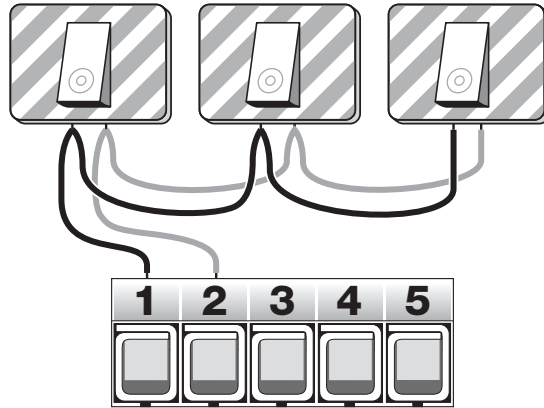




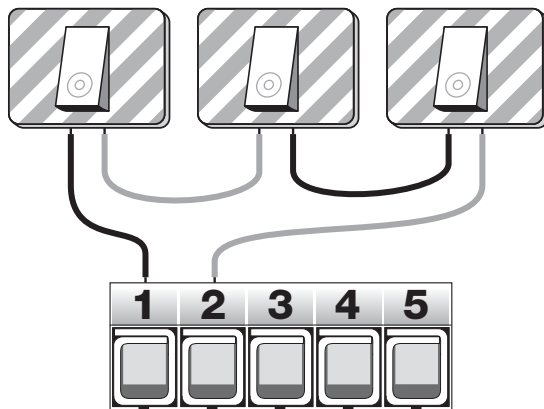
36



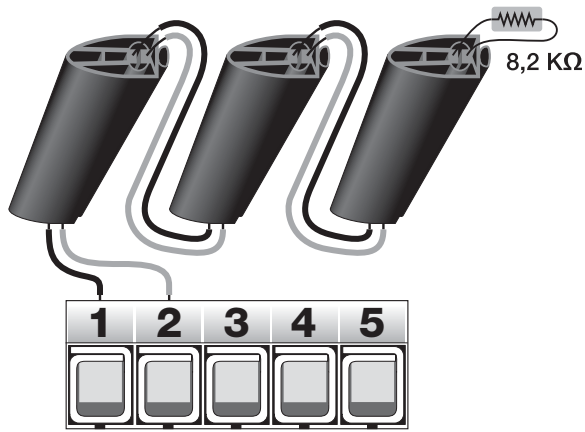
37



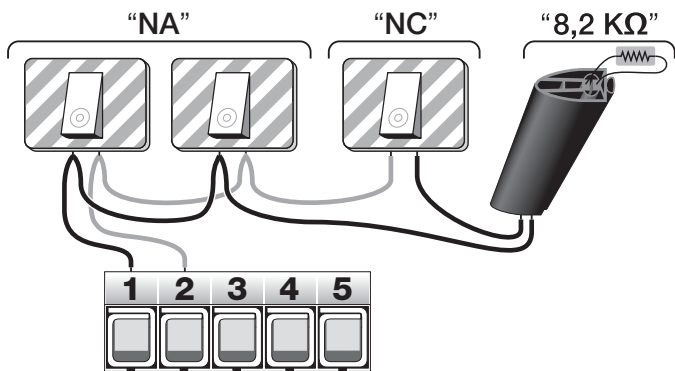
38



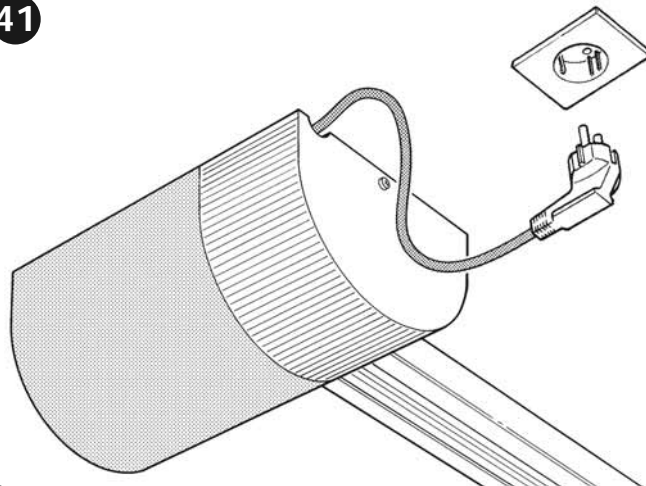
39



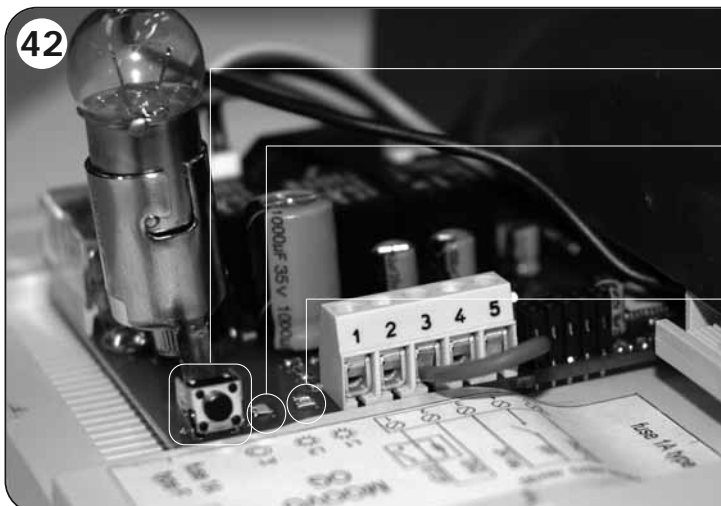
40



41

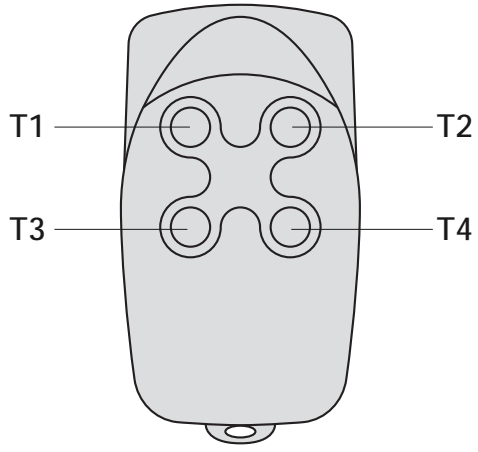


42

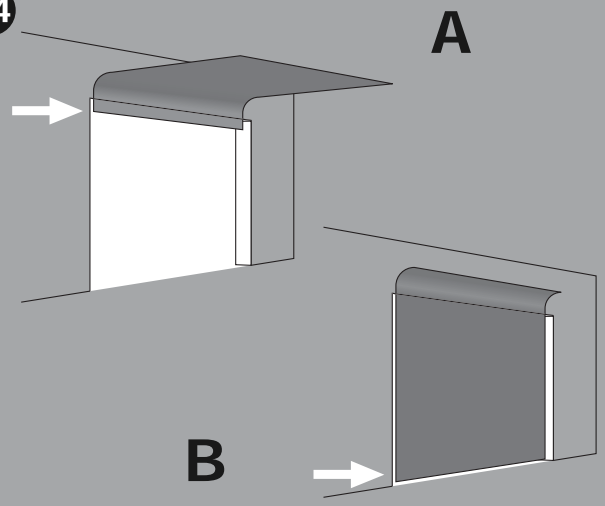


- P1
- EN Green Led - IT Led verde
FR Led verte - ES Led verde - DE grüne Led
PL Zielona dioda - NL Groene led
- EN Red Led - IT Led rosso
FR Led rouge - ES Led rojo
DE rote Led - PL Czerwona dioda
NL Rode led

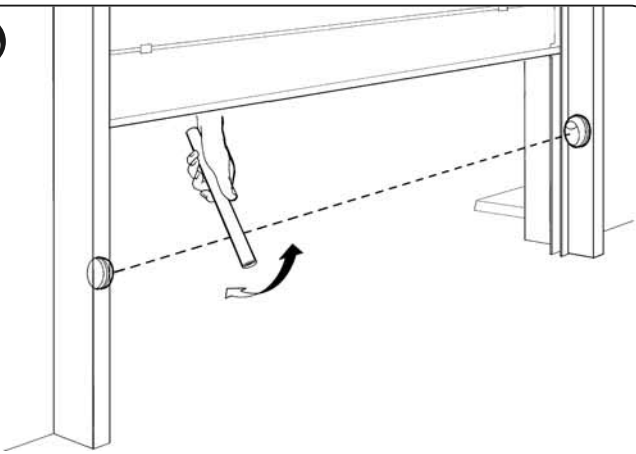
43



44



45



46





Nice SpA
Oderzo TV Italia
info@niceforyou.com

www.niceforyou.com