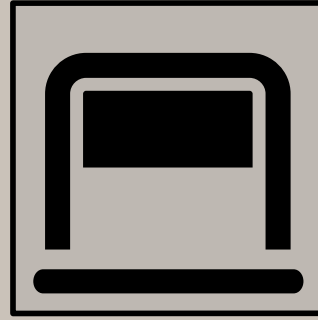


# AUTOMATIONS FOR GARAGE & INDUSTRIAL DOORS

## JIM



### RESIDENTIAL AND COMMERCIAL USE BELT DRIVE

- 24 Vdc self-locking electromechanical operator for residential sectional garage doors
  - Encoder device for the detection of obstacles integrated in the control panel
- Adjustable stroke by mechanical limits stop
- Built-in, low consumption LED courtesy light
- Operation continuity guaranteed in case of power failure with the battery back up unit integrable in the operator
  - Self-Learning limit switches

JIM.3						
JIM.3ESA						
JIM.4ESA						



RAIL IS NOT INCLUDED  
1 TO.GO2WV included



Belt drive for silent operation



Fast and easy unlock device



Control panel and radio receiver included

NOTES:

.....

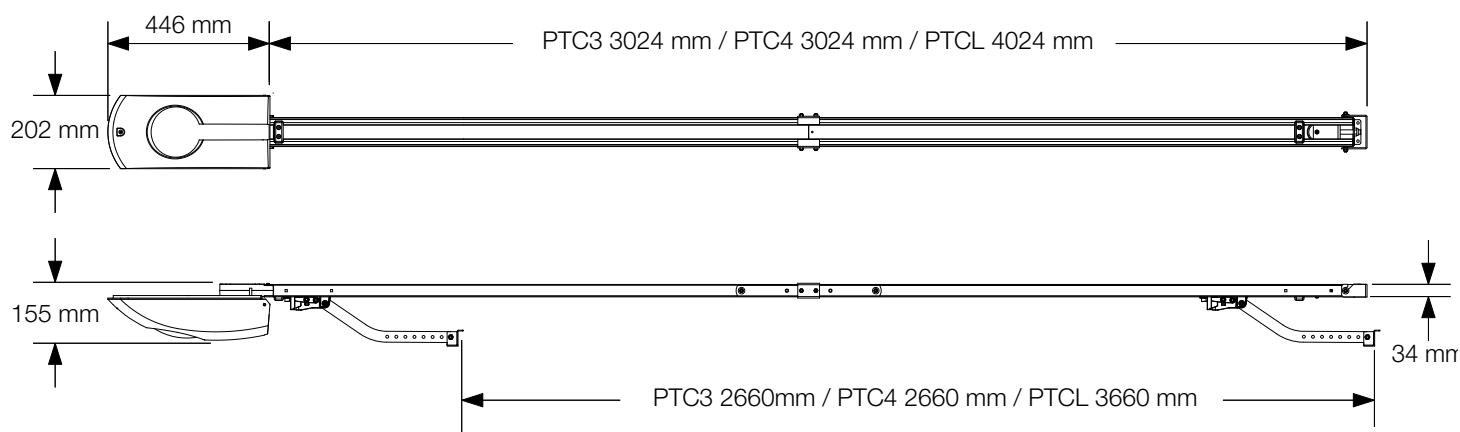
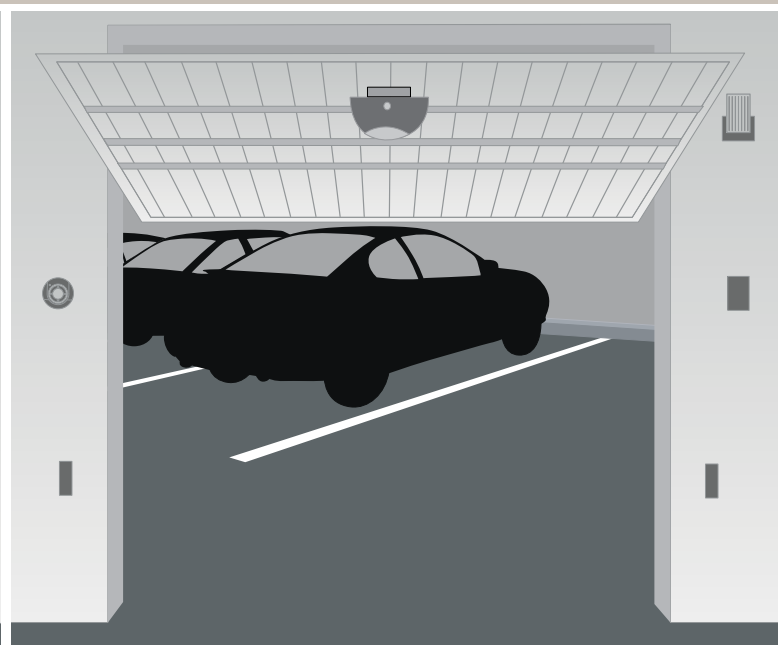
.....

.....

.....

.....

.....



TECHNICAL DATA	JM.3	JM.3ESA	JM.4ESA
Power supply	230 Vac	230 Vac	230 Vac
Motor supply	24 Vdc	24 Vdc	24 Vdc
Max. absorbed current	0,7 A	0,7 A	1,5 A
Power consumption in stand by	-	8 mA	8 mA
Thrust	600 N	600 N	1200 N
Opening time	8,9 m/1'	8,9 m/1'	8,9 m/1'
Operation cycle	intensive use	intensive use	intensive use
Protection level	IP 40	IP 40	IP 40
Limit switch	electronic with encoder	electronic with encoder	electronic with encoder
Operating temp.	-20°C/+50°C	-20°C/+50°C	-20°C/+50°C
Max door surface	11 sqm/max.	11 sqm/max.	22 sqm/max
Rail	PTC.3/PTCI.3/PTCL.4	PTC.3/PTCI.3/PTCL.4	PTC.4/PTCL.4
Receiver	built-in	built-in	built-in
Weight	6,2 Kg	6,2 Kg	7,6 Kg
Items no. per pallet	50	50	50