

DH-IPC-HDW2220R-Z

2Megapixel Full HD Network Small IR Dome Camera



Features

- 1/3" 2Megapixel progressive scan CMOS
- H.264&MJPEG dual-stream encoding
- 25/30fps@1080P(1920×1080)
- DWDR, Day/Night(ICR), 3DNR, AWB, AGC, BLC
- Multiple network monitoring: Web viewer, CMS(DSS/PSS) & DMSS
- 2.7mm~12mm motorized lens
- Max. IR LEDs Length 60m
- IP67, PoE

DH-IPC-HDW2220R-Z

Technical Specifications

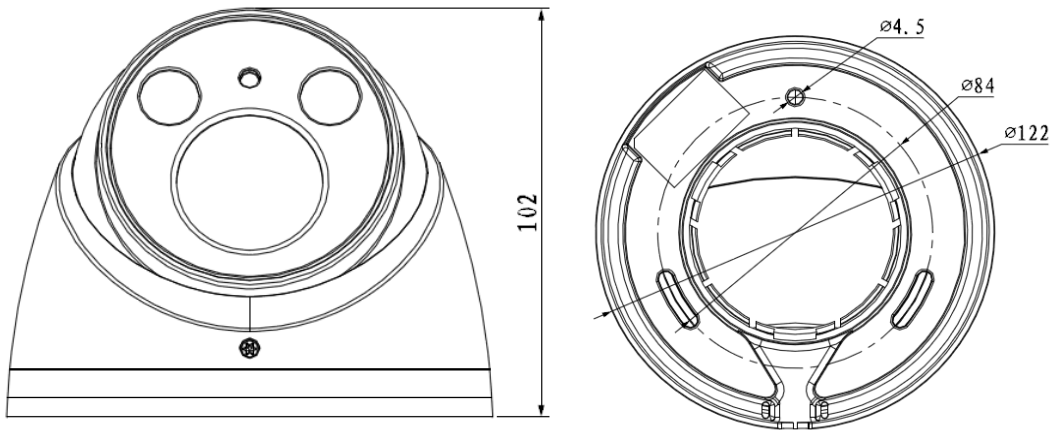
Model		DH-IPC-HDW2220R-Z(S)
Camera		
Image Sensor	1/3" 2Megapixel progressive scan CMOS	
Effective Pixels	1920(H) × 1080(V)	
Scanning System	Progressive	
Electronic Shutter Speed	Auto/Manual, 1/3(4)~1/100000s	
Min. Illumination	0. 1Lux/F1.4(Color), 0Lux/F1.4(IR on)	
S/N Ratio	More than 50dB	
Video Output	N/A	
Camera Features		
Max. IR LEDs Length	60m	
Day/Night	Auto(ICR)/Color/B/W	
Backlight Compensation	BLC / HLC / DWDR	
White Balance	Auto/Manual	
Gain Control	Auto/Manual	
Noise Reduction	3D	
Privacy Masking	Up to 4 areas	
Lens		
Focal Length	2.7mm~12mm	
Max Aperture	F1.4	
Focus Control	Auto	
Angle of View	H: 99°~37°	
Lens Type	Motorized lens	
Mount Type	Board-in Type	
Video		
Compression	H.264/ H.264H/ H.264B/ MJPEG	
Resolution	1080P(1920x1080)/ 720P(1280x720)/ D1(704x576/704x480) / CIF(352x288/352x240)	
Frame Rate	Main Stream	1080P/720P(1 ~ 25/30fps)
	Sub Stream	D1/CIF(1 ~ 25/30fps)
Bit Rate	H.264: 16K ~ 10Mbps	
Audio		
Compression	N/A	
Interface	N/A	
Network		
Ethernet	RJ-45 (10/100Base-T)	
Wi-Fi	N/A	
Protocol	IPv4/IPv6, HTTP, HTTPS, SSL, TCP/IP, UDP, UPnP, ICMP, IGMP, SNMP, RTSP, RTP, SMTP, NTP, DHCP, DNS, PPPOE, DDNS, FTP, IP Filter, QoS, Bonjour	
Compatibility	ONVIF,PSIA,CGI	
Max. User Access	20 users	

DH-IPC-HDW2220R-Z

Smart Phone	iPhone, iPad, Android, Windows Phone
Auxiliary Interface	
Memory Slot	N/A
RS485	N/A
Alarm	N/A
PIR Sensor Range	N/A
General	
Power Supply	DC12V, PoE (802.3af)
Power Consumption	Max 7.5W
Working Environment	-30°C~+60°C, Less than 95% RH
Ingress Protection	IP67
Vandal Resistance	N/A
Dimensions	Φ122mm x 102mm
Weight	0.55Kg

DH-IPC-HDW2220R-Z

Dimensions (mm)



Dahua Technology Co., Ltd.

1187BinAn Road, Binjiang District, Hangzhou, China

Tel: +86-571-87688883

Fax: +86-571-87688815

Email: overseas@dahuatech.com

www.dahuatech.com

*Design and specifications are subject to change without notice.

© 2013 Dahua Technology Co., Ltd.