

# TOO

CE

TOO3000

TOO3024

TOO4500

TOO4524



## Swing gate opener

**EN** - Instructions and warnings for installation and use

**IT** - Istruzioni ed avvertenze per l'installazione e l'uso

**FR** - Instructions et avertissements pour l'installation et l'utilisation

**ES** - Instrucciones y advertencias para la instalación y el uso

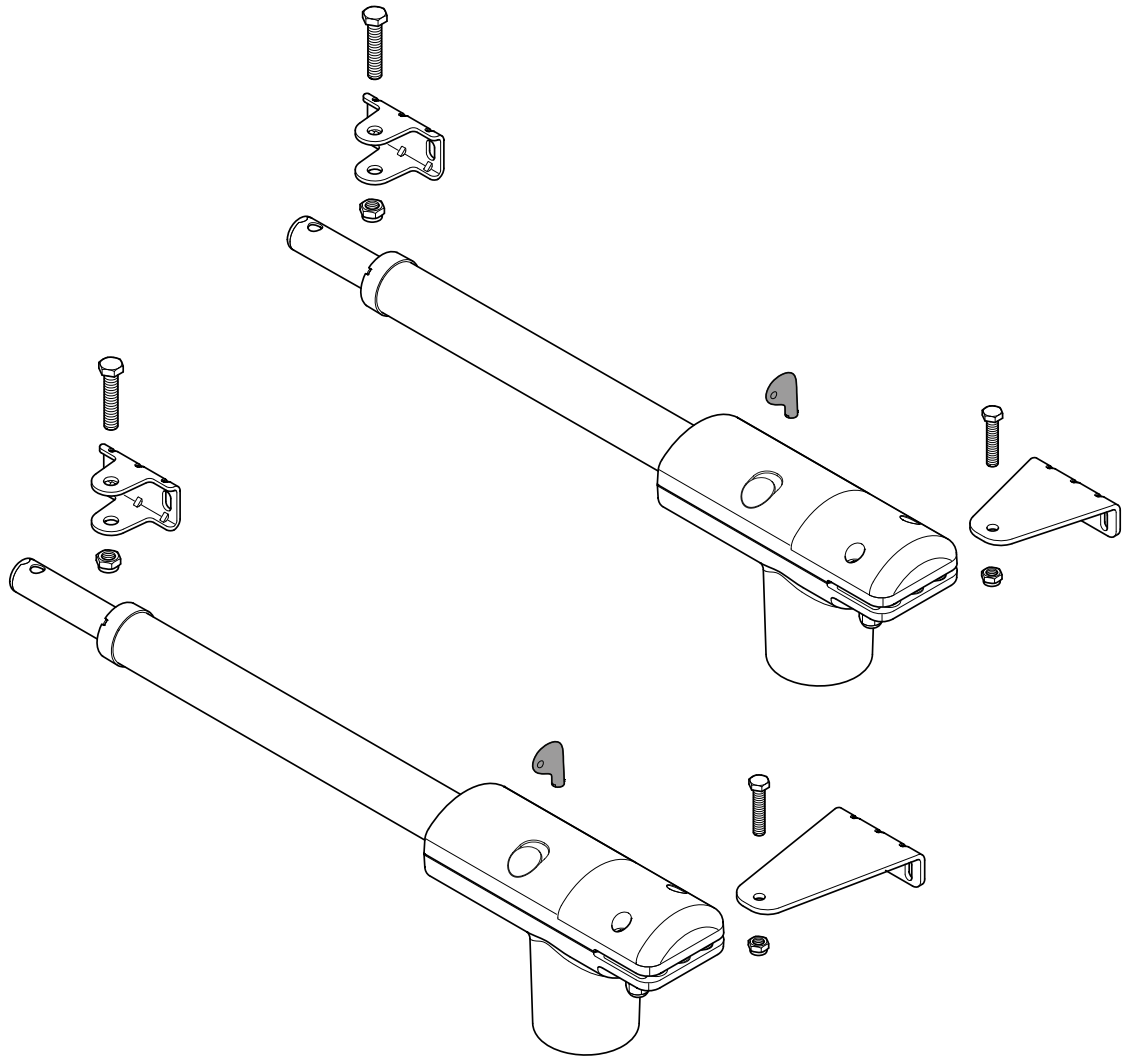
**DE** - Installierungs-und Gebrauchsanleitungen und Hinweise

**PL** - Instrukcje i ostrzeżenia do instalacji i użytkowania

**NL** - Aanwijzingen en aanbevelingen voor installatie en gebruik

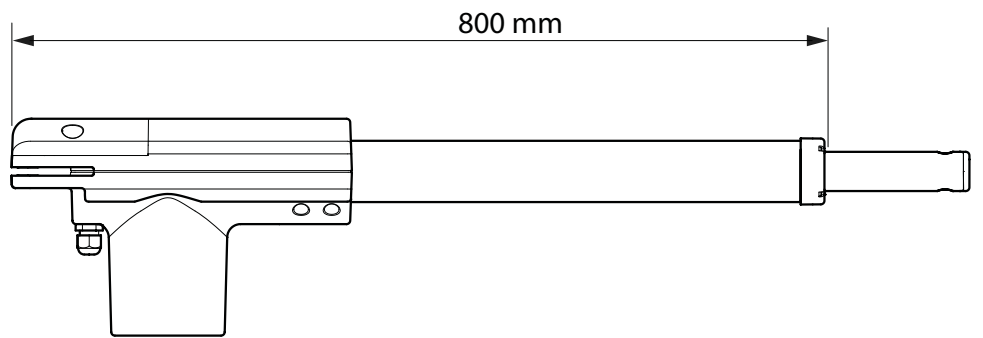
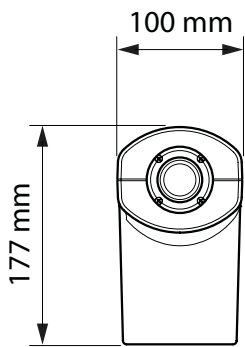
**Nice**

1

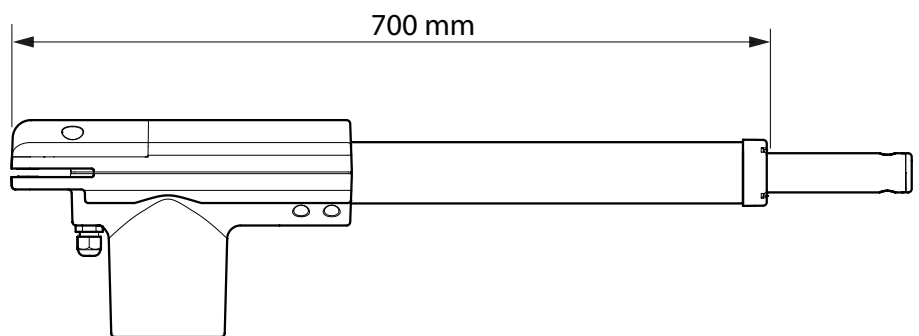
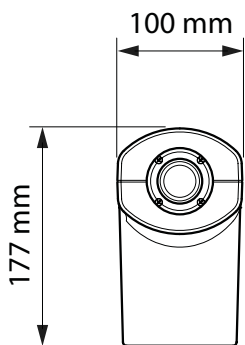


2

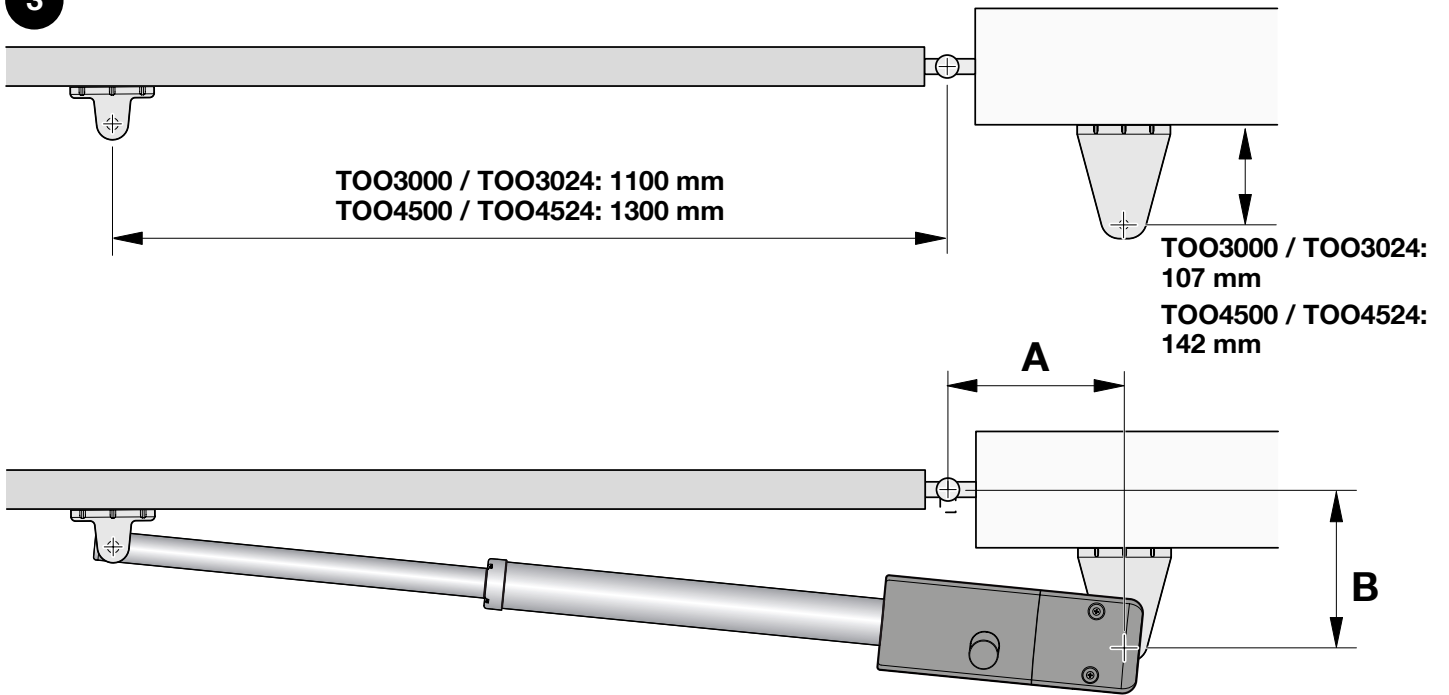
**TOO4500 / TOO4524**



**TOO3000 / TOO3024**

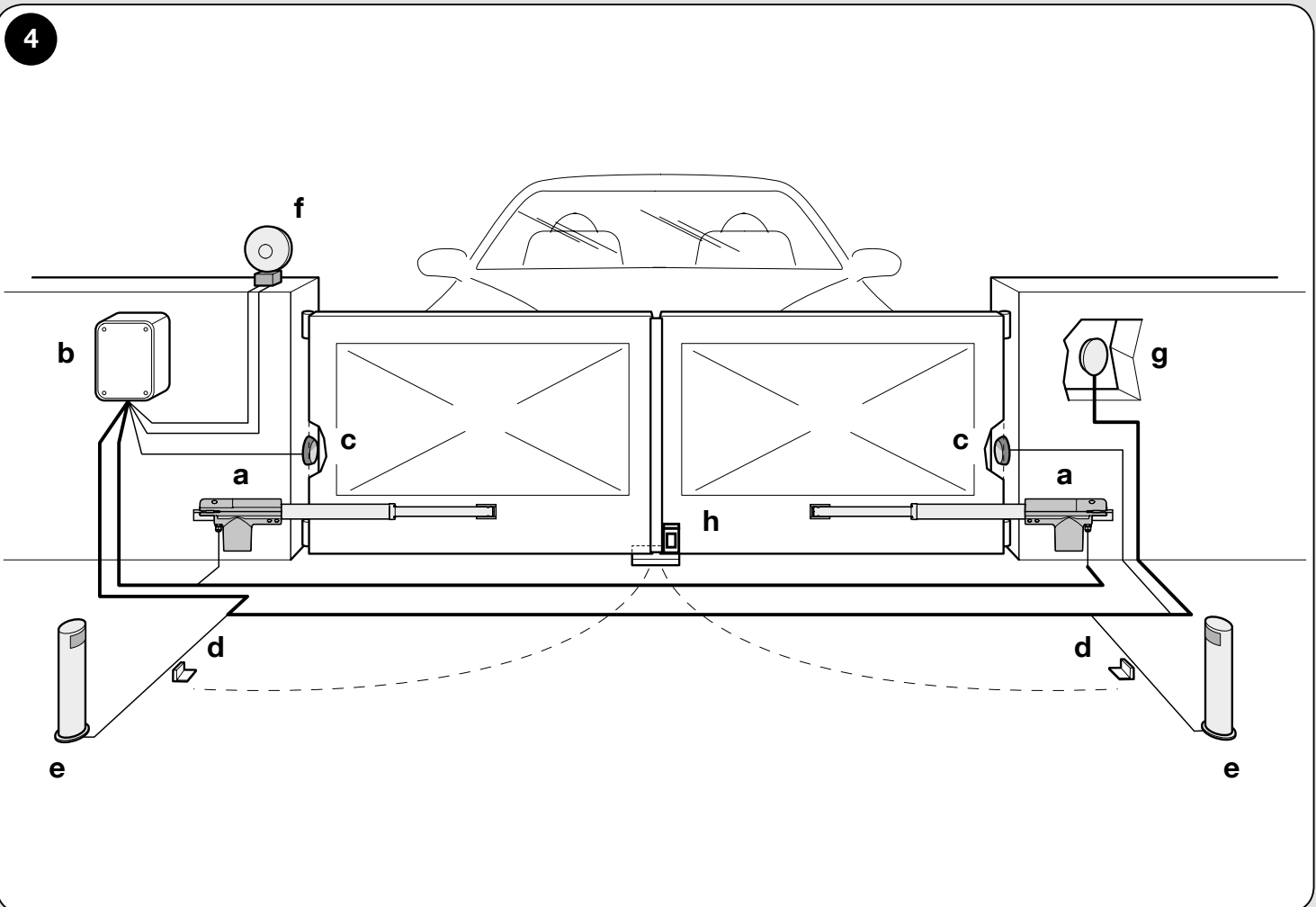


3

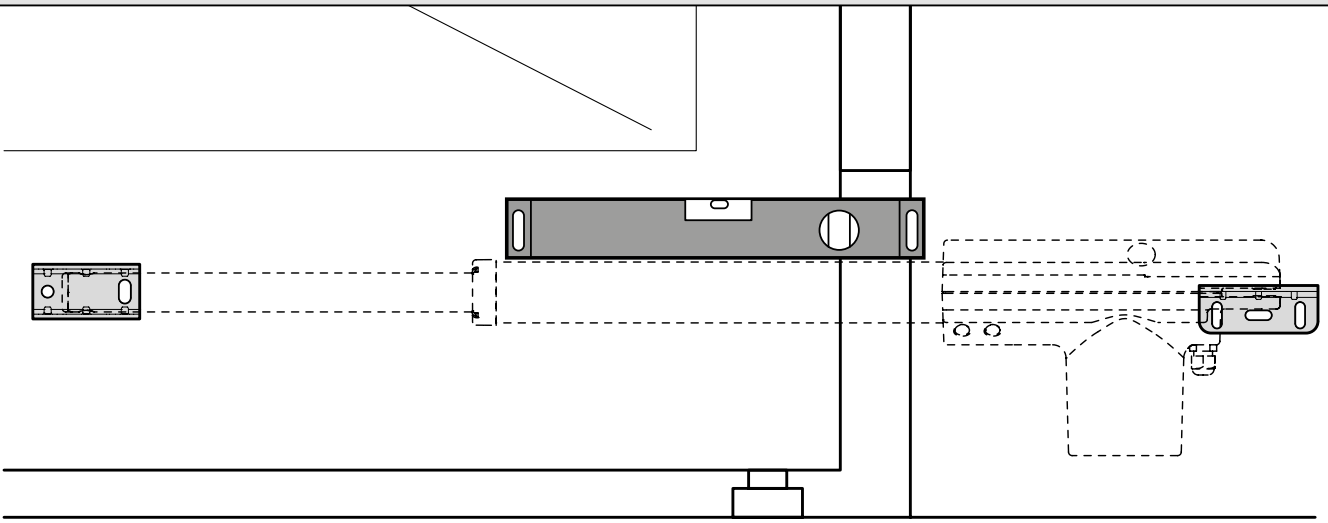


TOO	$\alpha$	A	B
TOO3000 / TOO3024	90°	95	270
	90°	195	200
	110°	150	150
TOO4500 / TOO4524	90°	200	250
	110°	170	170

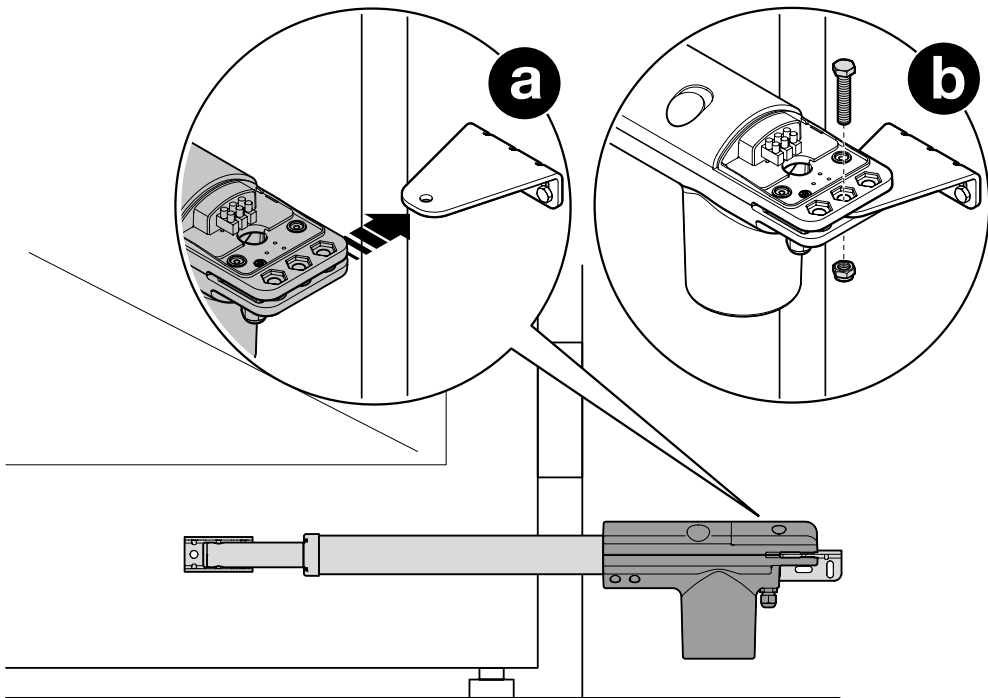
4



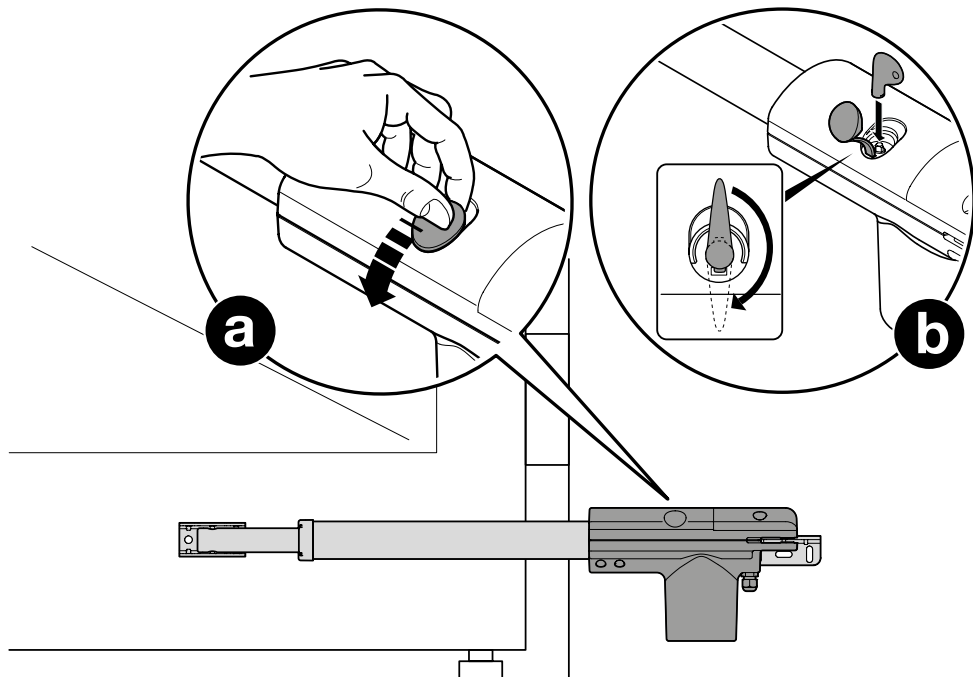
5



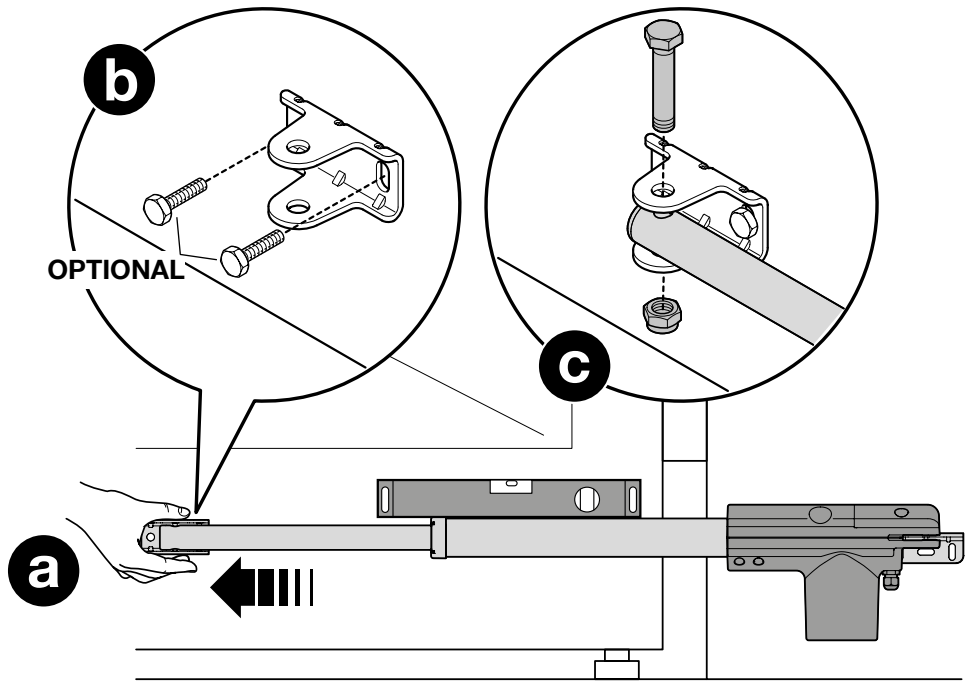
6



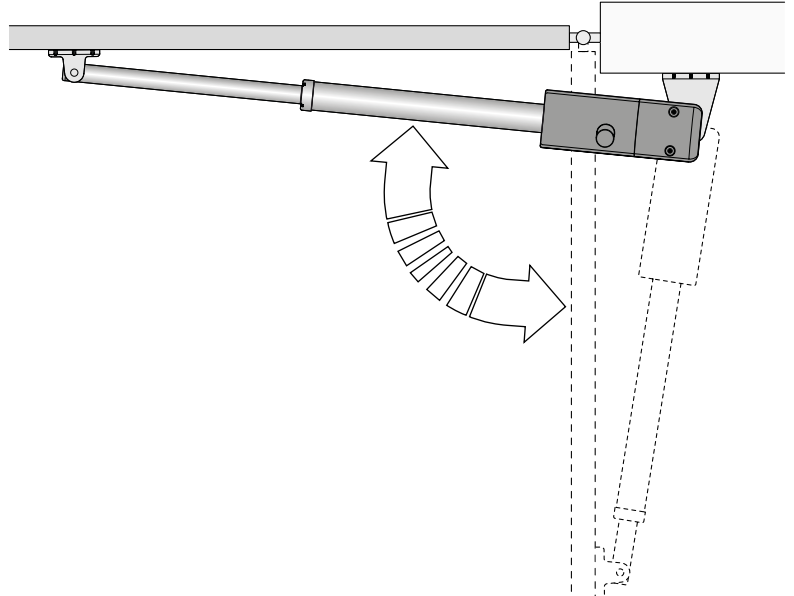
7



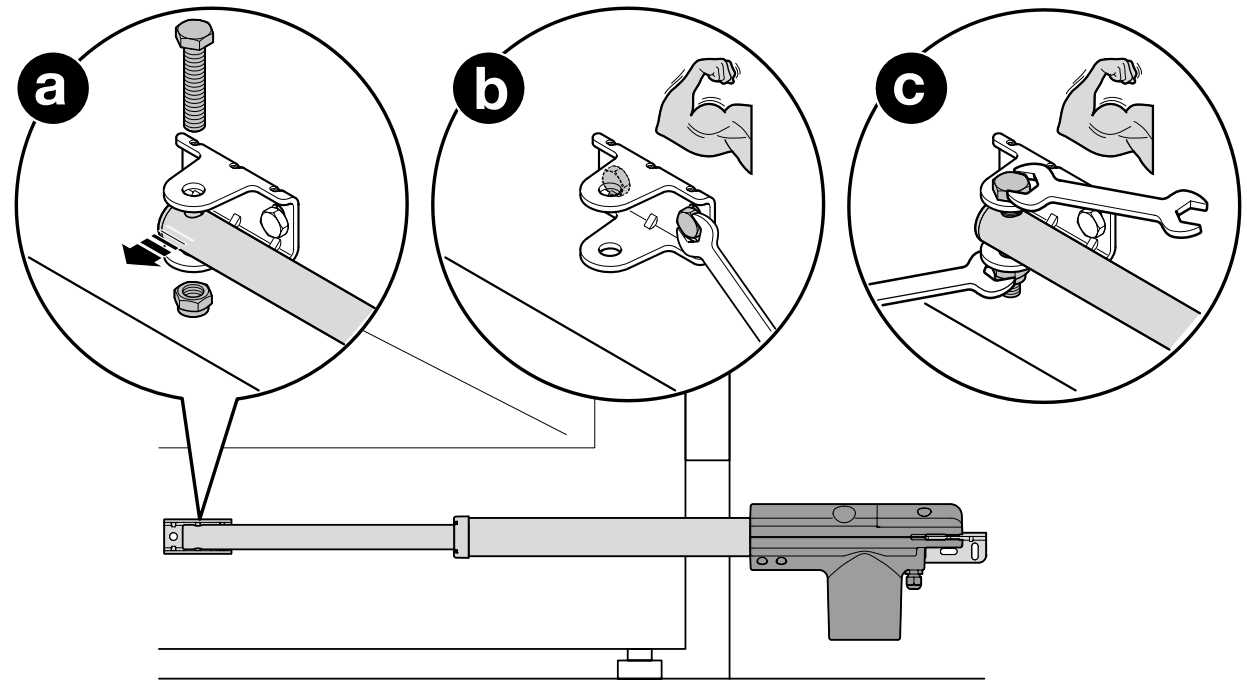
8



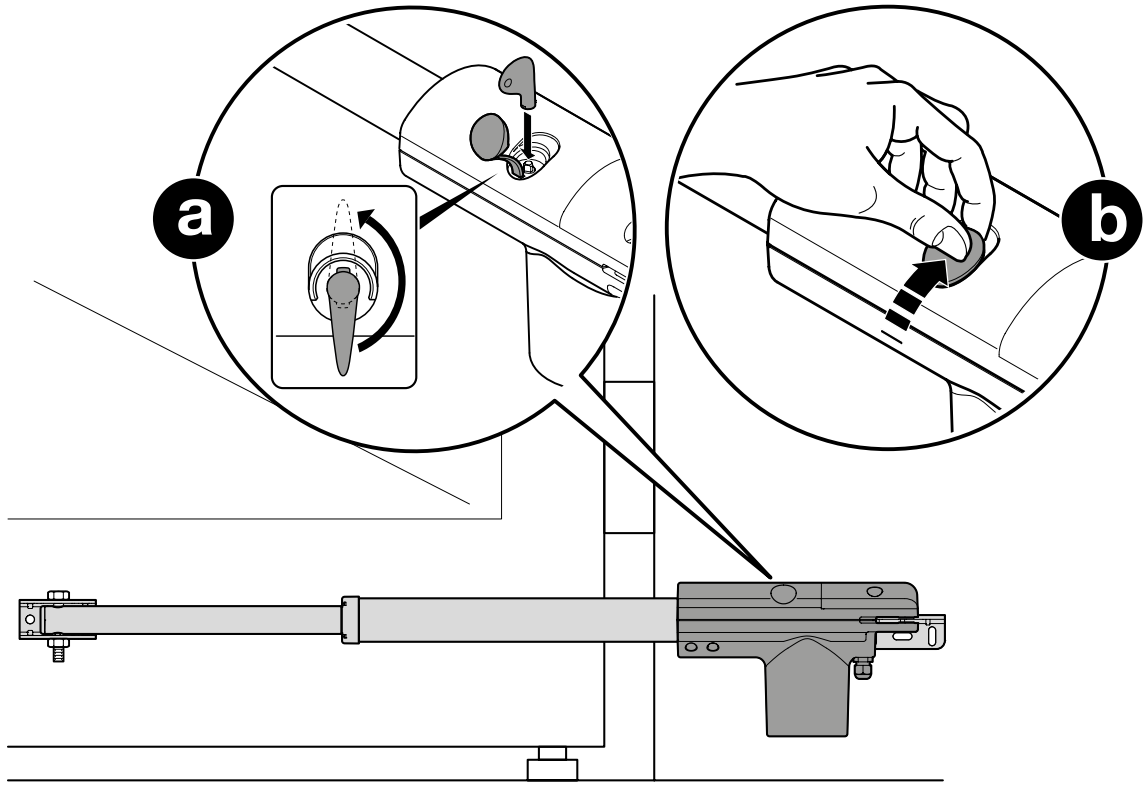
9



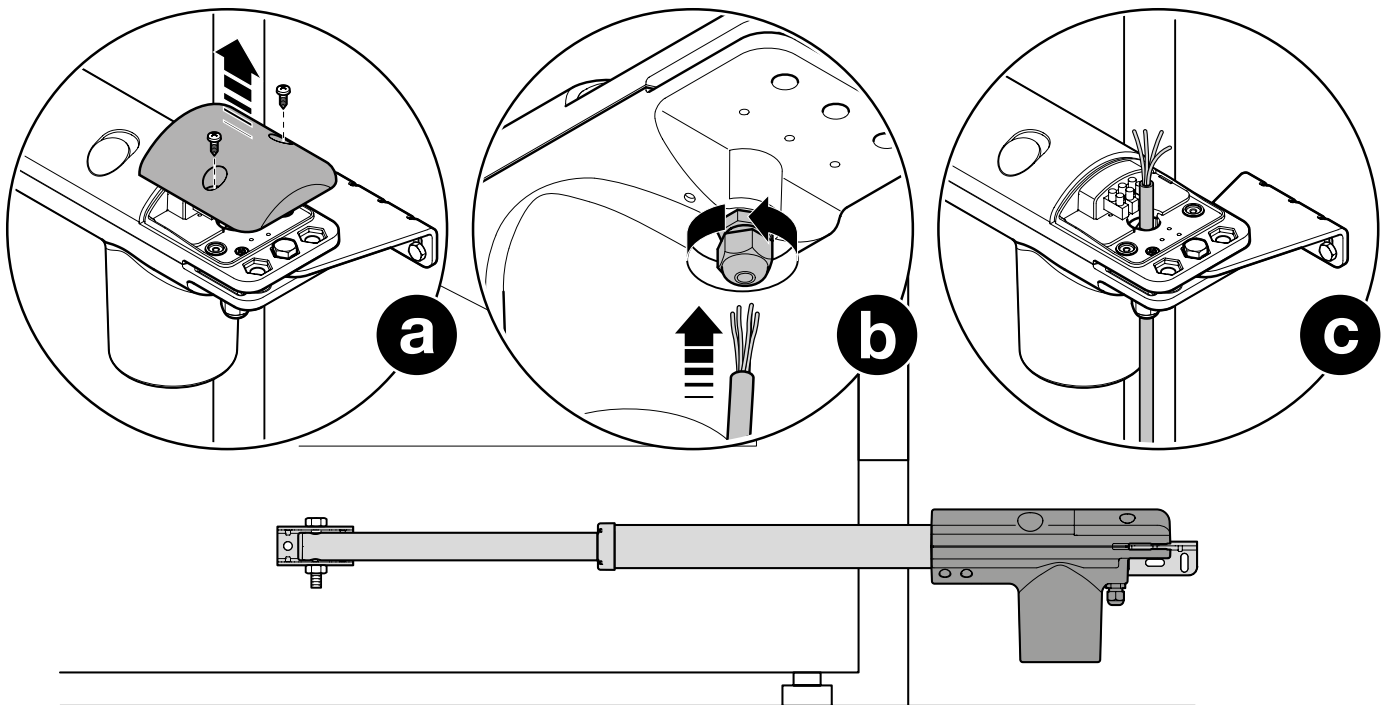
10



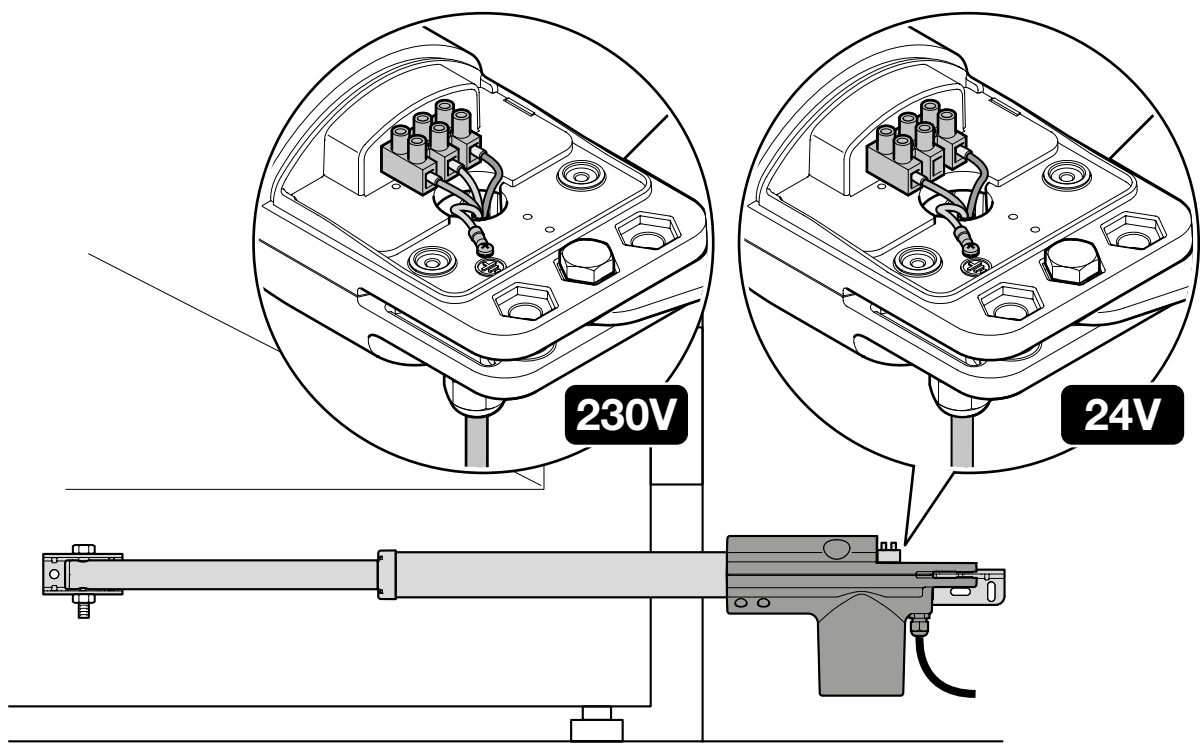
11



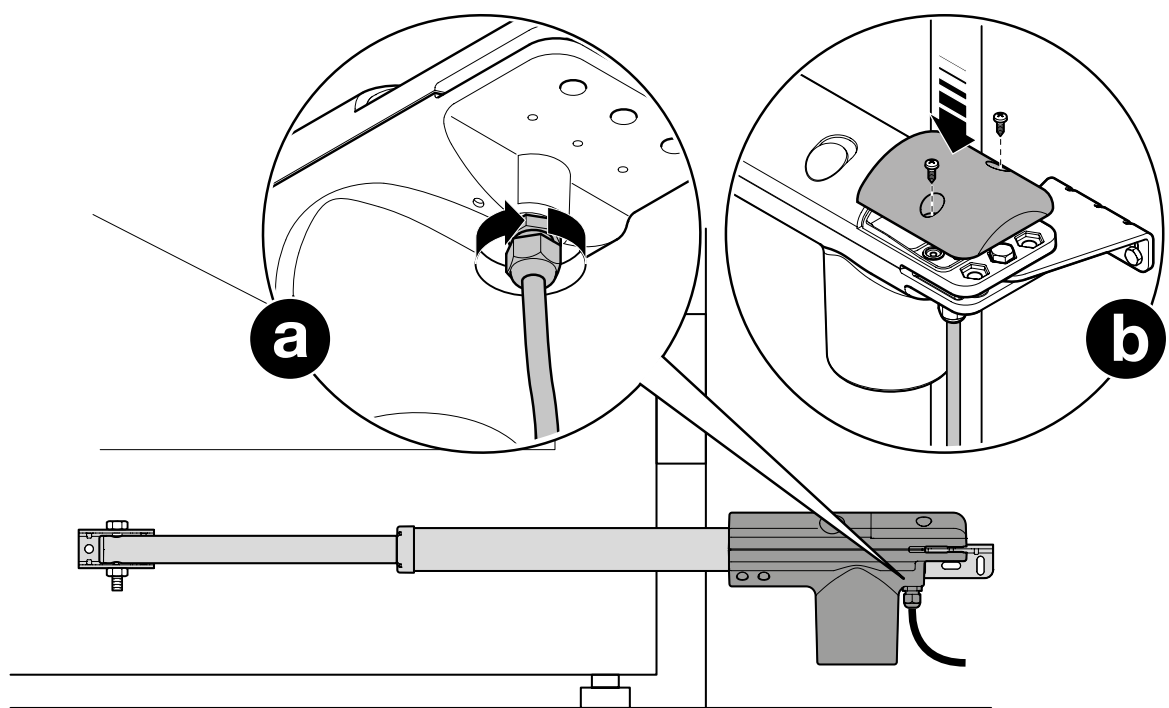
12



13



14



## Contents

IMAGES .....	II - VII
<b>Chapter 1 - WARNINGS AND GENERAL PRECAUTIONS</b>	
1.1 - Safety warning .....	1
1.2 - Installation warnings .....	1
1.3 - Operational warnings .....	1
<b>Chapter 2 - PRODUCT DESCRIPTION AND INTENDED USE</b>	2
<b>Chapter 3 - INSTALLATION</b>	
3.1 - Tests prior to installation .....	2
3.2 - Installation of the gearmotor .....	2
3.3 - Manually releasing the gearmotor .....	2
3.4 - Manually locking the gearmotor .....	2
<b>Chapter 4 - ELECTRICAL CONNECTIONS</b>	2
<b>Chapter 5 - TESTING THE AUTOMATION</b>	
5.1 - Testing .....	2
5.2 - Commissioning .....	3
<b>Chapter 6 - OPTIONAL ACCESSORIES</b>	3
<b>Chapter 7 - MAINTENANCE</b>	3
<b>Chapter 8 - DISPOSAL OF THE PRODUCT</b>	3
<b>Chapter 9 - TECHNICAL SPECIFICATIONS</b>	4
<b>CE Declaration of Conformity</b>	4
<b>User manual (removable enclosure)</b>	II

## 1 WARNINGS AND GENERAL PRECAUTIONS

### 1.1 - Safety warnings

- **WARNING! - Important safety instructions. The following instructions are critical for personal safety. Incorrect installation can result in serious injury.**  
Read these instructions with care before starting; in case of doubt, contact Nice Support Service.
- **WARNING! - Keep these instructions in a safe place to enable future product maintenance and disposal operations.**
- **WARNING! - According to current European legislation, the installation of an automatic door or gate must be in full observance of the standards envisaged by European Directive 98/37/EC (Machinery Directive) and in particular standards EN 12445; EN 12453; EN 12635 and EN 13241-1, which enable declaration of presumed conformity of the automation. Given the above, all product installation, connection, programming and maintenance work must be done exclusively by a skilled and qualified technician, in observance of local laws, standards, regulations and the instructions in this manual.**

### 1.2 - Installation warnings

- Before commencing the installation, check that this product is suitable for controlling your gate (see Chapters 3 and 9). If it is not suitable, DO NOT proceed with the installation.
- All product installation and maintenance must be done with the automated mechanism disconnected from the power mains. Before starting work, put a sign on the disconnection device that says "CAUTION! MAINTENANCE IN PROGRESS" to the disconnection equipment.
- Handle the product with care during installation, taking care to avoid crushing, denting or dropping it, or contact with liquids of any kind. Keep the product away from sources of heat and naked flames. Failure to observe the above can damage the product, and increase the risk of danger or malfunction. Should this occur, suspend installation work immediately and contact the Nice Support Service.
- Do not modify any part of the product. Operations other than as specified can only cause malfunctions. The manufacturer declines all liability for damage caused by makeshift modifications to the product.
- If the gate or door being automated has a pedestrian gate, then the system must include a control device that will inhibit the operation of the motor when the pedestrian gate is open.
- Check that there are no points where people could become trapped or crushed against fixed parts when the gate is fully open; if there are, provide protection for these parts.
- The packing materials of the product must be disposed of in compliance with local regulations.

### 1.3 - Warnings about use

- This product is not intended to be used by persons (including children) whose physical, sensory or mental capacities are reduced, or who lack the necessary experience or skill, unless suitable instructions on how to use the product have been imparted by a person responsible for their safety.
- Do not allow children to play with the automation.
- Do not allow children to play with fixed control devices. Keep remote control devices out of their reach as well.
- When operating the gate, keep an eye on the automated mechanism and keep all bystanders at a safe distance until the movement has been completed.
- Do not operate the automation if anyone is working nearby (cleaning, etc.); disconnect its power supply before permitting such work to be done.
- Check the automation frequently for imbalance, wear and damage. Do not operate the system if it needs repair or adjustment; have it serviced exclusively by qualified and specialised technicians.



## 2 PRODUCT DESCRIPTION AND INTENDED USE

This product is intended to be used to automate swing gates. **CAUTION! – Any use other than the intended use, and any use in conditions other than those described in this manual, is improper and forbidden!**

The product is an electromechanical gearmotor, available in two versions:

TO3000 / TO3024 and TO4500 / TO4524.

It is equipped with a 24V DC motor or 220V AC motor (depending on the version) and a worm screw reduction unit.

The gearmotor is powered off the external control unit to which it is connected.

In case of power outage, the gate can be operated manually by disengaging the gearmotor (par. 3.4).

## 3 INSTALLATION

### 3.1 - Pre-installation checks

**Caution! - The motor must be installed by qualified personnel in compliance with current legislation, standards and regulations, and the directions provided in this manual.**

Before proceeding with the installation:

01. Check that the area to which the gearmotor is to be mounted is large enough (fig. 2).
02. Check the gate's opening movement and the force exerted by the motor: these depend on the position of the rear bracket. To set the maximum opening of the gate and the motor force, refer to **fig. 3**.
03. Establish the rough installation position for each component of the system and the most appropriate connection layout.

**Fig. 4** provides an example of an automation system using Nice components:

- a - Electromechanical gearmotors
- b - Control unit
- c - Photocell pair
- d - Mechanical limit switch pair (opening)
- e - Photocell pillars
- f - Flasher
- g - Keypad/digital keypad
- h - Vertical electric lock

### 3.2 - Installation of gearmotor

#### WARNINGS

• **Incorrect installation may cause serious physical injury to those working on or using the system.**

• **Before proceeding with the installation, refer to par. 3.1.**

01. Identify the front and rear bracket mounting positions (**fig. 3**)
02. Secure the rear bracket with reference to its specified installation positions (**fig. 3**)
03. Mount the gearmotor to the rear bracket (**fig. 5 / 6**)
04. Manually release the gearmotor (**fig. 7**)
05. Pull the rod completely out (**fig. 8 - a**);
06. Provisionally locate the front bracket onto the gate (**fig. 8 - b**)
07. Check that the gearmotor is level, then fit and secure the rod to the front bracket (**fig. 8 - c**);
08. (**fig. 9**) Check manually that:
  - when the gate is fully open, it halts against its mechanical stops
  - the gate swings freely and without resistanceCorrect any defects
09. Unhook the rod from the front bracket (**fig. 10 - a**) and mount the latter to the gate definitively (**fig. 10 - b**)
10. Definitively mount the rod to the front bracket (**fig. 10 - c**)

11. Lock the gearmotor (**fig. 11**)

Run this procedure for both gearmotors.

### 3.3 - Manually releasing the gearmotor (fig. 7)

01. Raise the rubber cap (**fig. 7 - a**)

02. Fit the provided wrench and rotate it CW by 90° (**fig. 7 - b**)

Run this procedure for both gearmotors.

### 3.4 - Manually locking the gearmotor (fig. 11)

01. Move the gate to the halfway open position by hand

02. Raise the rubber cap (**fig. 11 - a**)

03. Fit the provided wrench and rotate it CCW by 90° (**fig. 11 - b**)

Run this procedure for both gearmotors.

## 4 ELECTRICAL CONNECTIONS

#### CAUTION!

– **Incorrect connections can cause faults or hazards; therefore ensure that the specified connections are strictly observed.**

– **Hook up the unit with the electrical power shut off.**

01. Remove the gearmotor's cover (**fig. 12 - a**)

02. Loosen the cable clamp (**fig. 12 - b**) and run the cable through it (**fig. 12 - c**)

03. Hook up the cables and connect the earth cable to its eyebolt (**fig. 13**)

04. Tighten down the cable clamp and restore the cover (**fig. 14**)

## 5 AUTOMATION TESTING

This is the most important stage in the automation system installation procedure in order to ensure the maximum safety levels. Testing can also be adopted as a method of periodically checking that all the various devices in the system are functioning correctly.

**Testing of the entire system must be performed by qualified and experienced personnel** who must establish which tests to conduct on the basis of the risks involved, and verify the compliance of the system with applicable regulations, legislation and standards, in particular with all the provisions of EN12445 which establishes the test methods for automation systems for gates.

### 5.1 - Testing

Each component of the system, (safety edges, photocells, emergency stop, etc.) requires a specific testing phase. To do so, follow the procedures given in the instruction manuals.

01. Ensure that the instructions outlined in this manual and in particular in chapter 1 have been observed in full.

02. Manually release the gearmotor (**fig. 7**)

03. Make sure you can move the door manually both during opening and closing with a force of max. 390 N (40 kg approx.).

04. Manually lock the gearmotor (**fig. 11**)

05. Hook up the electrical power supply

06. Use the control or stop devices to test the opening, closing and stopping of the gate and that it behaves as intended.

07. Check the operation of all safety devices, and check that the gate performs as it should.

08. Activate a closing manoeuvre and check impact force of the door against the mechanical stop. If necessary, reduce the pressure for better adjustment

09. If the dangerous situations caused by the movement of the gate have been safeguarded by limiting the impact force, the user must measure the impact force according to EN12445.

**Note** – The gearmotor's torque cannot be adjusted directly: this adjustment is done by the control unit.

## 5.2 - Commissioning

Commissioning may only be done when all the gearmotor tests specified in par. 5.1, and those of the other equipment, have been passed: to commission the unit, refer to the control unit manual.

**IMPORTANT - It is not permissible to execute partial commissioning or to enable use of the system in makeshift conditions.**

## 6 OPTIONAL ACCESSORIES

The following optional accessories are available:

ACCESSORIES for the 230V version
PLA10
PLA11
ACCESSORIES for the 24V version
PLA10
PLA11
PS124

Refer to the user manuals of the various individual products.

## 7 MAINTENANCE

To ensure that the level of safety of the installation is maintained and that the system remains reliable and operational, it must be serviced regularly in observance of the safety regulations given in this manual and established legislation.

The gearmotor must be serviced no later than 6 months after commissioning.

01. Disconnect all power supplies
02. Check for any deterioration in automation system components, paying special attention to erosion or oxidation of its structural parts. Replace any parts which are below the required standard.
03. Check that all screw fasteners are fully tightened down
04. Check the wear of all moving parts and replace any worn components
05. Connect the power supplies up again, and run all the tests and checks described in Chapter 5.

For the other equipment in the system, refer to its user manuals.

## 8 DISPOSAL OF THE PRODUCT

**This product is an integral part of the automation and must be scrapped with it.**

At the end of the product's service life, the product must be scrapped by qualified staff.

This product is made up of a variety of materials, some of which can be recycled while others must be disposed of. Check that regulatory recycling and scrapping facilities are available locally.

**Caution!** – some parts of the product may contain polluting or hazardous substances which, if disposed of into the environment, constitute serious environmental and health risks.

As indicated by the symbol, the product may not be disposed of as domestic waste.

Sort the materials for disposal, according to the methods envisaged by current legislation in your area, or return the product to the retailer when purchasing a new version.

**Caution!** – Local legislation may envisage serious fines in the event of abusive disposal of this product.



**WARNINGS:** • All technical specifications stated in this section refer to an ambient temperature of 20°C (± 5°C). • Nice S.p.a. reserves the right to apply modifications to products at any time when deemed necessary, while maintaining the same intended use and functionality.

MODEL	TOO4500	TOO4524	TOO3000	TOO3024
Motor voltage [V]	230	24	230	24
Frequency [Hz]	50	DC	50	DC
Max gate length [m]	4.5	4.5	3	3
Max gate weight [kg]	250	250	300	300
IP protection rating	54	54	54	54
Operating temperature [C°]	-20 to +50	-20 to +50	-20 to +50	-20 to +50
Weight of motor [kg]	6	5.5	6	5.5
Speed [m/s]	0.016	0.014	0.016	0.014
Travel [mm]	500	500	400	400
Capacitor [mF]	7	-	7	-
Nominal current draw [A]	1.1	1.1	1.1	1.1
Maximum current draw [A]	1.5	5	1.5	5
Nominal power draw [W]	250	30	250	30
Maximum power draw [W]	340	120	340	120
Nominal force [N]	300	300	300	300
Maximum force [N]	2000	1800	2000	1800
Cycles (cycles/hour)	24	continuous	24	continuous
Control unit	A60	MC424L	A60	MC424L
Dimensions [mm]	800 x 100 x 177 h	800 x 100 x 177 h	800 x 100 x 177 h	800 x 100 x 177 h

### CE Declaration of Conformity and declaration of incorporation of partly completed machinery Declaration in accordance with the following Directives: 12004/108/EC (EMC); 2006/42/EC (MD) annex II, part B

**Note** – The content of this declaration corresponds to that specified in the official document deposited at the Nice S.p.A. headquarters and, in particular, to the latest revised edition available prior to the publishing of this manual. The text herein has been re-edited for editorial purposes. A copy of the original declaration can be requested from Nice S.p.A. (prov. of Treviso) Italy.

**Declaration number:** 507/TOO                      **Revision:** 0                      **Language:** EN

**Manufacturer's Name:** NICE s.p.a.

**Address:** Via Pezza Alta N°13, 31046 Rustignè di Oderzo (TV) Italy

**Person authorized to compile the technical documentation:** NICE s.p.a.

**Type of product:** Telescopic motor for swing gates

**Model / Type:** TOO3000, TOO3024, TOO4500, TOO4524

**Accessories:**

The undersigned Mauro Sordini, as Chief Executive Officer, hereby declares under his own responsibility that the products identified above comply with the provisions of the following directives:

- DIRECTIVE 2004/108/EC OF THE EUROPEAN PARLIAMENT AND OF THE COUNCIL of 15 December 2004 on the approximation of the laws of the Member States relating to electromagnetic compatibility and repealing Directive 89/336/EEC, in accordance with following harmonised standards: EN 61000-6-2:2005, EN 61000-6-4:2007

In addition, the product conforms to the following directive in accordance with the provisions applicable to partly completed machinery:

- Directive 2006/42/EC of the European Parliament and of the Council of 17 May 2006 on machinery, and amending Directive 95/16/EC (recast), in accordance with the following harmonised standards:
- I hereby declare that the pertinent technical documentation has been drafted in accordance with Annex VII B of Directive 2006/42/EC and that the following essential requirements have been satisfied: 1.1.1- 1.1.2- 1.1.3- 1.2.1-1.2.6- 1.5.1-1.5.2- 1.5.5- 1.5.6- 1.5.7- 1.5.8- 1.5.10- 1.5.11
- The manufacturer agrees to submit pertinent information on the partly completed machinery to the national authorities, in response to a motivated request, without affecting its intellectual property rights.
- If the partly completed machinery is operated in a European country with an official language other than the language used in this declaration, the importer must include a translation with this declaration.
- The partly completed machinery must not be operated until the final machine in which it is to be incorporated is declared to conform to the provisions of Directive 2006/42/EC, if applicable.

The product also complies with the following standards: EN 60335-1:2012; EN 60335-2-103:2003 +A1:2009

The parts of the product which are subject to the following standards comply with them:

EN 13241-1:2003, EN 12445:2002, EN 12453:2002, EN 12978:2003

Oderzo, 9 May 2014

  
Mr. Mauro Sordini  
(Chief Executive Officer)

## Indice

IMMAGINI .....	II - VII
<b>Capitolo 1 - AVVERTENZE E PRECAUZIONI GENERALI</b>	
1.1 - Avvertenze per la sicurezza .....	1
1.2 - Avvertenze per l'installazione .....	1
1.3 - Avvertenze per l'uso .....	1
<b>Capitolo 2 - DESCRIZIONE DEL PRODOTTO E DESTINAZIONE D'USO .....</b>	<b>2</b>
<b>Capitolo 3 - INSTALLAZIONE</b>	
3.1 - Verifiche preliminari all'installazione .....	2
3.2 - Installazione del motoriduttore .....	2
3.3 - Sbloccare manualmente il motoriduttore .....	2
3.4 - Bloccare manualmente il motoriduttore .....	2
<b>Capitolo 4 - COLLEGAMENTI ELETTRICI .....</b>	<b>2</b>
<b>Capitolo 5 - COLLAUDO DELL'AUTOMAZIONE</b>	
5.1 - Collaudo .....	2
5.2 - Messa in servizio .....	3
<b>Capitolo 6 - ACCESSORI OPZIONALI .....</b>	<b>3</b>
<b>Capitolo 7 - MANUTENZIONE DEL PRODOTTO .....</b>	<b>3</b>
<b>Capitolo 8 - SMALTIMENTO DEL PRODOTTO .....</b>	<b>3</b>
<b>Capitolo 9 - CARATTERISTICHE TECNICHE DEL PRODOTTO ..</b>	<b>4</b>
<b>Dichiarazione CE di conformità .....</b>	<b>4</b>
<b>Manuale per l'uso (inserto staccabile) .....</b>	<b>5</b>

## 1 AVVERTENZE E PRECAUZIONI GENERALI

## 1.1 - Avvertenze per la sicurezza

- **ATTENZIONE!** - **Importanti istruzioni di sicurezza. Per la sicurezza delle persone è importante seguire queste istruzioni in quanto, un'installazione impropria può provocare gravi ferite. Leggere attentamente le istruzioni prima di iniziare il lavoro; in caso di dubbi chiedere chiarimenti al Servizio Assistenza Nice.**
- **ATTENZIONE!** - **Conservare queste istruzioni per eventuali interventi futuri di manutenzione e di smaltimento del prodotto.**
- **ATTENZIONE!** - **Secondo la più recente legislazione europea, la realizzazione di una porta o di un cancello automatico deve rispettare le norme previste dalla Direttiva 2006/42/EC. (Direttiva Macchine) e in particolare, e norme EN 12445; EN 12453; EN 12635 e EN 13241-1, che consentono di dichiarare la presunta conformità dell'automazione. In considerazione di ciò, tutte le operazioni di installazione, di collegamento, di programmazione e di manutenzione del prodotto devono essere effettuate esclusivamente da un tecnico qualificato e competente, rispettando le leggi, le normative, i regolamenti locali e le istruzioni riportate in questo manuale.**

## 1.2 - Avvertenze per l'installazione

- Prima di iniziare l'installazione verificare se questo prodotto è adatto ad automatizzare il vostro cancello (vedere capitolo 3 e 9). Se non risulta adatto, NON procedere all'istallazione.
- Tutte le operazioni di installazione e di manutenzione del prodotto devono essere effettuate con l'automatismo scollegato dall'alimentazione elettrica. Per precauzione, prima di iniziare il lavoro, attaccare sul dispositivo di sconnessione un cartello con la scritta "ATTENZIONE! MANUTENZIONE IN CORSO".
- Durante l'installazione maneggiare con cura l'automatismo evitando schiacciamenti, urti, cadute o contatto con liquidi di qualsiasi natura. Non mettere il prodotto vicino a fonti di calore, né esporlo a fiamme libere. Tutte queste azioni possono danneggiarlo ed essere causa di malfunzionamenti o situazioni di pericolo. Se questo accade, sospendere immediatamente l'installazione e rivolgersi al Servizio Assistenza Nice.
- Non eseguire modifiche su nessuna parte del prodotto. Operazioni non permesse possono causare solo malfunzionamenti. Il costruttore declina ogni responsabilità per danni derivanti da modifiche arbitrarie al prodotto.
- Se il cancello da automatizzare è dotato di una porta pedonale occorre predisporre l'impianto con un sistema di controllo che inibisca il funzionamento del motore quando la porta pedonale è aperta.
- Verificare che non vi siano punti d'intrappolamento verso parti fisse quando l'anta del cancello si trova nella posizione di massima Apertura; eventualmente proteggere tali parti.
- Il materiale dell'imballo del prodotto deve essere smaltito nel pieno rispetto della normativa locale.

## 1.3 - Avvertenze per l'uso

- Il prodotto non è destinato a essere usato da persone (bambini compresi) le cui capacità fisiche, sensoriali o mentali siano ridotte, oppure con mancanza di esperienza o di conoscenza, a meno che esse non abbiano potuto beneficiare, attraverso l'intermediazione di una persona responsabile della loro sicurezza, di una sorveglianza o di istruzioni riguardanti l'uso del prodotto.
- I bambini devono essere sorvegliati per sincerarsi che non giochino con l'automazione.
- Non permettere ai bambini di giocare con i dispositivi di comando fissi. Tenere i dispositivi di comando portatili (remoti) fuori dalla portata dei bambini.
- Durante l'esecuzione della manovra controllare l'automazione e mantenere le persone lontano da essa, fino al termine del movimento.
- Non comandare l'automazione se nelle sue vicinanze ci sono persone che svolgono lavori come la pulizia dei vetri; scollegate l'alimentazione elettrica prima di far eseguire questi lavori.

- Controllate frequentemente l'automazione per scoprire eventuali segni di usura, di danni o di sbilanciamento. Non utilizzare l'automazione se questa necessita di regolazioni o di riparazione; rivolgersi esclusivamente a personale tecnico specializzato per la soluzione di questi problemi.

## 2 DESCRIZIONE PRODOTTO E DESTINAZIONE D'USO

Questo prodotto è destinato ad essere utilizzato per automatizzare cancelli ad ante battenti. **ATTENZIONE! – Qualsiasi altro uso diverso da quello descritto e in condizioni ambientali diverse da quelle riportate in questo manuale è da considerarsi improprio e vietato!**

È un motoriduttore elettromeccanico previsto in due versioni: TO3000 / TO3024 e TO4500 / TO4524.

È provvisto di un motore a corrente continua a 24 V oppure a corrente alternata a 220 V (secondo il modello scelto) e di un riduttore con vite senza fine.

Il motoriduttore viene alimentato dalla centrale di comando esterna a cui deve essere collegato.

In caso d'interruzione dell'energia elettrica (black-out) è possibile muovere manualmente le ante del cancello sbloccando il motoriduttore (paragrafo 3.4).

## 3 INSTALLAZIONE

### 3.1 - Verifiche preliminari all'installazione

**Attenzione! - L'installazione del motore deve essere effettuata da personale qualificato, nel rispetto di leggi, norme, regolamenti e di quanto riportato nelle presenti istruzioni.**

Prima di eseguire l'installazione:

01. Verificare la zona di fissaggio del motoriduttore: deve essere compatibile con l'ingombro di quest'ultimo (fig. 2).
02. Verificare il corretto movimento di apertura del cancello e la forza che il motore esercita: questi dipendono dalla posizione di fissaggio della staffa posteriore. Per definire l'angolo di apertura massima dell'anta e la forza del motore adatta al proprio impianto vedere fig. 3.
03. Stabilire la posizione approssimativa d'installazione per ciascun componente previsto nell'impianto e lo schema di collegamento più appropriato.

La fig. 4 mostra un esempio d'impianto tipico di automatizzazione realizzato con componenti Nice:

- a - Motoriduttori elettromeccanici
- b - Centrale di comando
- c - Coppia di fotocellule
- d - Coppia finecorsa meccanici (in Apertura)
- e - Colonne per fotocellule
- f - Segnalatore lampeggiante
- g - Selettore a chiave o tastiera digitale
- h - Elettroserratura verticale

### 3.2 - Installazione del motoriduttore

#### AVVERTENZE

- **Un'installazione errata può causare gravi ferite alla persona che esegue il lavoro e alle persone che utilizzeranno l'impianto.**
  - **Prima di eseguire l'installazione dell'automazione vedere paragrafo 3.1.**
01. Individuare la posizione di fissaggio della staffa posteriore e anteriore (fig. 3)
  02. Fissare la staffa posteriore secondo le quote d'installazione (fig. 3)
  03. Fissare il motoriduttore sulla staffa posteriore (fig. 5 / 6)

04. Sbloccare manualmente il motoriduttore (fig. 7)

05. Estrarre completamente lo stelo (fig. 8 - a);

06. Assemblare provvisoriamente la staffa anteriore all'anta del cancello (fig. 8 - b)

07. Verificare che il motoriduttore sia in bolla poi fissare lo stelo alla staffa anteriore (fig. 8 - c);

08. (fig. 9) Verificare manualmente che:

- in posizione di apertura massima il cancello si fermi sui finecorsa meccanici
  - il movimento dell'anta sia regolare e privo di attriti
- Eventualmente eseguire interventi correttivi affinché il movimento risulti soddisfacente

09. Sganciare lo stelo dalla staffa anteriore (fig. 10 - a) e fissare definitivamente quest'ultima all'anta (fig. 10 - b)

10. Fissare definitivamente lo stelo alla staffa anteriore (fig. 10 - c)

11. Bloccare il motoriduttore (fig. 11)

Ripetere l'operazione per entrambi i motoriduttori.

### 3.3 - Sbloccare manualmente il motoriduttore (fig. 7)

01. Alzare il tappo di gomma (fig. 7 - a)

02. Inserire la chiave di sblocco fornita e ruotarla in senso orario di 90° (fig. 7 - b)

Ripetere l'operazione per entrambi i motoriduttori.

### 3.4 - Bloccare manualmente il motoriduttore (fig. 11)

01. Posizionare manualmente l'anta del cancello a metà della sua corsa

02. Alzare il tappo di gomma (fig. 11 - a)

03. Inserire la chiave di sblocco e ruotarla in senso anti-orario di 90° (fig. 11 - b)

Ripetere l'operazione per entrambi i motoriduttori.

## 4 COLLEGAMENTI ELETTRICI

### ATTENZIONE!

– **Un collegamento errato può provocare guasti o situazioni di pericolo; quindi, rispettare scrupolosamente i collegamenti indicati.**

– **Eseguire le operazioni di collegamento con l'alimentazione elettrica scollegata.**

01. Togliere il coperchio al motoriduttore (fig. 12 - a)

02. Allentare il passacavo (fig. 12 - b) e inserire il cavo di collegamento (fig. 12 - c)

03. Collegare i vari cavi e il cavo di terra nell'apposito occhiello (fig. 13)

04. Stringere il pressacavo e rimettere il coperchio (fig. 14)

## 5 COLLAUDO DELL'AUTOMAZIONE

Questa è la fase più importante nella realizzazione dell'automazione al fine di garantire la massima sicurezza. Il collaudo può essere usato anche come verifica periodica dei dispositivi che compongono l'automatismo.

**Il collaudo dell'intero impianto deve essere eseguito da personale esperto e qualificato** che deve farsi carico delle prove richieste, in funzione del rischio presente e di verificare il rispetto di quanto previsto da leggi, normative e regolamenti, ed in particolare tutti i requisiti della norma EN12445 che stabilisce i metodi di prova per la verifica degli automatismi per cancelli.

### 5.1 - Collaudo

Ogni singolo componente dell'automatismo (bordi sensibili, fotocellule, arresto di emergenza, ecc.) richiede una specifica fase di collaudo; per questi dispositivi si dovranno eseguire le procedure riportate nei rispettivi manuali istruzioni.

01. Verificare che sia stato rispettato rigorosamente quanto previsto nel presente manuale ed in particolare nel capitolo 1
02. Sbloccare manualmente il motoriduttore (fig. 7)
03. Verificare che sia possibile muovere manualmente l'anta in apertura e in chiusura con una forza non superiore a 390 N (circa 40 kg)
04. Bloccare manualmente il motoriduttore (fig. 11)
05. Collegare l'alimentazione elettrica
06. Utilizzando i dispositivi di comando o arresto previsti, eseguire delle prove di apertura, chiusura ed arresto del cancello e verificare che il comportamento corrisponda a quanto previsto
07. Verificare il corretto funzionamento di tutti i dispositivi di sicurezza presenti nell'impianto e verificare che il comportamento del cancello corrisponda a quanto previsto
08. Comandare una manovra di chiusura e verificare la forza dell'impatto dell'anta contro la battuta del fincorsa meccanico. Se necessario provare a scaricare la pressione per una migliore regolazione
09. Se le situazioni pericolose provocate dal movimento dell'anta sono state salvaguardate, utilizzando la limitazione della forza d'impatto si deve eseguire la misura della forza secondo quanto previsto dalla norma EN 12445

**Nota** – Il motoriduttore è sprovvisto di dispositivi di regolazione di coppia: questa regolazione è affidata alla centrale di comando.

### 5.2 - Messa in servizio

La messa in servizio può avvenire solo dopo aver eseguito con esito positivo tutte le fasi di collaudo del motoriduttore (paragrafo 5.1) e degli altri dispositivi presenti: per eseguirla fare riferimento manuale istruzioni della centrale di comando.

**IMPORTANTE** – È vietata la messa in servizio parziale o in situazioni "provvisorie".

## 6 ACCESSORI OPZIONALI

Per il prodotto sono previsti i seguenti accessori opzionali:

ACCESSORI versione 230V
PLA10
PLA11
ACCESSORI versione 24V
PLA10
PLA11
PS124

Fare riferimento ai manuali istruzioni dei singoli prodotti.

## 7 MANUTENZIONE DEL PRODOTTO

Per mantenere costante il livello di sicurezza e per garantire la massima durata dell'intera automazione è necessaria una manutenzione regolare che deve essere effettuata nel pieno rispetto delle prescrizioni sulla sicurezza del presente manuale e secondo quanto previsto dalle leggi e normative vigenti.

Per il motoriduttore è necessaria una manutenzione programmata al massimo entro 6 mesi.

01. Scollegare qualsiasi sorgente di alimentazione elettrica
02. Verificare lo stato di deterioramento di tutti i materiali che compongono l'automazione con particolare attenzione a fenomeni di erosione o di ossidazione delle parti strutturali; eventualmente sostituire le parti che non forniscono sufficienti garanzie.
03. Verificare che i collegamenti a vite siano stretti adeguatamente
04. Verificare lo stato di usura delle parti in movimento ed eventualmente sostituire le parti usurate
05. Ricollegare le sorgenti di alimentazione elettrica ed eseguire tutte le prove e le verifiche previste nel capitolo 5.

Per gli altri dispositivi presenti nell'impianto fare riferimento agli specifici manuali istruzioni.

## 8 SMALTIMENTO DEL PRODOTTO

**Questo prodotto è parte integrante dell'automazione e deve essere smaltito insieme con essa.**

Al termine della vita del prodotto, le operazioni di smantellamento devono essere eseguite da personale qualificato.

Questo prodotto è costituito da vari tipi di materiali: alcuni sono riciclabili e altri devono essere smaltiti. Verificare i sistemi di riciclaggio e smaltimento previsti dai regolamenti vigenti sul vostro territorio.

**Attenzione!** – alcune parti del prodotto possono contenere sostanze inquinanti o pericolose che se disperse nell'ambiente potrebbero provocare effetti dannosi sull'ambiente stesso e sulla salute umana.

Come indicato dal simbolo a lato è vietato gettare questo prodotto nei rifiuti domestici.

Eseguire la raccolta differenziata per lo smaltimento previsto dai regolamenti vigenti sul vostro territorio; oppure riconsegnare il prodotto al venditore nel momento dell'acquisto di un nuovo prodotto equivalente.

**Attenzione!** – i regolamenti vigenti a livello locale possono prevedere pesanti sanzioni in caso di smaltimento abusivo di questo prodotto.



**AVVERTENZE:** • Tutte le caratteristiche tecniche riportate, sono riferite ad una temperatura ambientale di 20°C (± 5°C). • Nice S.p.a. si riserva il diritto di apportare modifiche al prodotto in qualsiasi momento lo riterrà necessario, mantenendone comunque la stessa funzionalità e destinazione d'uso.

MODELLO	TOO4500	TOO4524	TOO3000	TOO3024
Tensione motore [V]	230	24	230	24
Frequenza [Hz]	50	DC	50	DC
Lunghezza max anta [m]	4,5	4,5	3	3
Peso max anta [kg]	250	250	300	300
Grado di protezione IP	54	54	54	54
Temperatura funzionamento [C°]	da -20 a +50	da -20 a +50	da -20 a +50	da -20 a +50
Peso motore [kg]	6	5,5	6	5,5
Velocità [m/s]	0.016	0.014	0.016	0.014
Corsa [mm]	500	500	400	400
Condensatore [mF]	7	-	7	-
Assorbimento nominale [A]	1.1	1.1	1.1	1.1
Assorbimento massimo [A]	1,5	5	1,5	5
Potenza nominale assorbita [W]	250	30	250	30
Potenza massima assorbita [W]	340	120	340	120
Forza nominale [N]	300	300	300	300
Forzamassima [N]	2000	1800	2000	1800
Cicli di lavoro (cicli/ora)	24	continuo	24	continuo
Centrali di comando	A60	MC424L	A60	MC424L
Dimensioni [mm]	800 x 100 x 177 h	800 x 100 x 177 h	800 x 100 x 177 h	800 x 100 x 177 h

## Dichiarazione CE di conformità e dichiarazione di incorporazione di "quasi macchina"

Dichiarazione in accordo alle Direttive: 12004/108/CE (EMC); 2006/42/CE (MD) allegato II, parte B

**Nota** - Il contenuto di questa dichiarazione corrisponde a quanto dichiarato nel documento ufficiale depositato presso la sede di Nice S.p.a., e in particolare, alla sua ultima revisione disponibile prima della stampa di questo manuale. Il testo qui presente è stato riadattato per motivi editoriali. Copia della dichiarazione originale può essere richiesta a Nice S.p.a. (TV) I.

**Numero dichiarazione:** 507/TOO

**Revisione:** 0

**Lingua:** IT

**Nome produttore:** NICE s.p.a.

**Indirizzo:** Via Pezza Alta N°13, 31046 Rustignè di Oderzo (TV) Italia

**Persona autorizzata a costituire la documentazione tecnica:** NICE s.p.a.

**Tipo di prodotto:** Motore telescopico per cancelli a battente

**Modello / Tipo:** TOO3000, TOO3024, TOO4500, TOO4524

**Accessori:**

Il sottoscritto Mauro Sordini, in qualità di Amministratore Delegato, dichiara sotto la propria responsabilità che i prodotti sopra indicati risultano conformi alle disposizioni imposte dalle seguenti direttive:

- DIRETTIVA 2004/108/CE DEL PARLAMENTO EUROPEO E DEL CONSIGLIO del 15 dicembre 2004 concernente il ravvicinamento delle legislazioni degli Stati membri relative alla compatibilità elettromagnetica e che abroga la direttiva 89/336/CEE, secondo le seguenti norme armonizzate: EN 61000-6-2:2005, EN 61000-6-4:2007

Inoltre il prodotto risulta essere conforme alla seguente direttiva secondo i requisiti previsti per le "quasi macchine":

- Direttiva 2006/42/CE DEL PARLAMENTO EUROPEO E DEL CONSIGLIO del 17 maggio 2006 relativa alle macchine e che modifica la direttiva 95/16/CE (rifusione), secondo le seguenti norme armonizzate:
- Si dichiara che la documentazione tecnica pertinente è stata compilata in conformità all'allegato VII B della direttiva 2006/42/CE e che sono stati rispettati i seguenti requisiti essenziali: 1.1.1- 1.1.2- 1.1.3- 1.2.1-1.2.6- 1.5.1-1.5.2- 1.5.5- 1.5.6- 1.5.7- 1.5.8- 1.5.10- 1.5.11
- Il produttore si impegna a trasmettere alle autorità nazionali, in risposta ad una motivata richiesta, le informazioni pertinenti sulla "quasi macchina", mantenendo impregiudicati i propri diritti di proprietà intellettuale.
- Qualora la "quasi macchina" sia messa in servizio in un paese europeo con lingua ufficiale diversa da quella usata nella presente dichiarazione, l'importatore ha l'obbligo di associare alla presente dichiarazione la relativa traduzione.
- Si avverte che la "quasi macchina" non dovrà essere messa in servizio finché la macchina finale in cui sarà incorporata non sarà a sua volta dichiarata conforme, se del caso, alle disposizioni della direttiva 2006/42/CE.

Inoltre il prodotto risulta conforme alle seguenti norme: EN 60335-1:2012 ; EN 60335-2-103:2003 +A1:2009

Il prodotto risulta conforme, limitatamente alle parti applicabili, alle seguenti norme:

EN 13241-1:2003, EN 12445:2002, EN 12453:2002, EN 12978:2003

Oderzo, 9 maggio 2014

Ing. **Mauro Sordini**  
(Chief Executive Officer)

## Table des matières

IMAGES .....	II - VII
<b>Chapitre 1 - RECOMMANDATIONS ET PRÉCAUTIONS GÉNÉRALES</b>	
1.1 - Recommandations pour la sécurité .....	1
1.2 - Recommandations pour l'installation .....	1
1.3 - Recommandations pour l'utilisation .....	1
<b>Chapitre 2 - DESCRIPTION DU PRODUIT ET DESTINATION D'USAGE .....</b>	<b>2</b>
<b>Chapitre 3 - INSTALLATION</b>	
3.1 - Contrôles à effectuer avant l'installation .....	2
3.2 - Installation de l'opérateur .....	2
3.3 - Débrayer manuellement l'opérateur .....	2
3.4 - Bloquer manuellement l'opérateur .....	2
<b>Chapitre 4 - RACCORDEMENTS ÉLECTRIQUES .....</b>	<b>2</b>
<b>Chapitre 5 - ESSAI DE L'AUTOMATISME</b>	
5.1 - Essai .....	2
5.2 - Mise en service .....	3
<b>Chapitre 6 - ACCESSOIRES EN OPTION .....</b>	<b>3</b>
<b>Chapitre 7 - ENTRETIEN DU PRODUIT .....</b>	<b>3</b>
<b>Chapitre 8 - MISE AU REBUT .....</b>	<b>3</b>
<b>Chapitre 9 - CARACTÉRISTIQUES TECHNIQUES DU PRODUIT .....</b>	<b>4</b>
<b>Déclaration de conformité CE .....</b>	<b>4</b>
<b>Guide de l'utilisateur (insert détachable) .....</b>	<b>5</b>

### 1.1 - Recommandations pour la sécurité

- **ATTENTION ! - Consignes de sécurité importantes** Pour la sécurité des personnes, il est important de respecter ces instructions étant donné qu'une installation inadéquate pourrait provoquer de graves blessures. Lire attentivement ces instructions avant de commencer les travaux. En cas de doute, demander des éclaircissements au Service Après-vente Nice.
- **ATTENTION ! - Conserver ce manuel pour faciliter les éventuelles interventions futures de maintenance ou de mise au rebut du produit.**
- **ATTENTION ! - Conformément à la législation européenne en vigueur, la réalisation d'une porte ou d'un portail automatique implique le respect de la Directive 2006/42/EC. (Directive Machines) et plus particulièrement les normes EN 12445 ; EN 12453 ; EN 12635 et EN 13241-1, qui permettent de déclarer la conformité présumée de l'automatisme. Sur cette base, toutes les opérations d'installation, de branchement, de programmation et de maintenance du produit doivent être exclusivement effectuées par un technicien qualifié et compétent en respectant les lois, les normes, les règlements locaux et les instructions mentionnées dans ce manuel.**

### 1.2 - Recommandations pour l'installation

- Avant de commencer l'installation, contrôler si le présent produit est adapté à l'automatisation de votre portail (voir chapitre 3 et 9). Dans le cas contraire, NE PAS procéder à l'installation.
- Toutes les opérations d'installation et de maintenance du produit doivent être effectuées en ayant débranché l'alimentation électrique. En outre, avant de commencer le travail, accrocher sur le dispositif de déconnexion une pancarte portant la mention suivante : « ATTENTION ! MAINTENANCE EN COURS ».
- Durant l'installation, manipuler avec soin le produit afin d'éviter tout écrasement, choc, chute ou contact avec des liquides de toute nature. Ne pas mettre le produit près de sources de chaleur, ni l'exposer à des flammes libres. Toutes ces actions peuvent l'endommager et créer des dysfonctionnements ou des situations de danger. Si cela se produit, suspendre immédiatement l'installation et s'adresser au service après-vente Nice.
- Ne pas effectuer de modifications sur une partie quelconque du produit. Des opérations non autorisées ne peuvent que provoquer des problèmes de fonctionnement. Le constructeur décline toute responsabilité pour les dommages dérivant de modifications arbitraires au produit.
- Si le portail à automatiser est équipé d'un vantail pour piétons, préparer l'installation avec un système de contrôle qui désactive le fonctionnement du moteur lorsque le vantail pour piétons est ouvert.
- Vérifier qu'il n'y a pas de point de coincement vers les parties fixes, quand le vantail se trouve dans la position d'ouverture maximale et de fermeture ; le cas échéant, protéger ces parties.
- Les matériaux de l'emballage du produit doivent être mis au rebut dans le plein respect des normes locales en vigueur.

### 1.3 - Recommandations pour l'utilisation

- Le produit n'est pas destiné à être utilisé par des personnes (enfants compris) aux capacités physiques, sensorielles ou mentales réduites, ou manquant d'expérience ou de connaissances, à moins que celles-ci aient pu bénéficier, par l'intermédiaire d'une personne responsable de leur sécurité, d'une surveillance ou d'instructions sur l'utilisation du produit.
- Les enfants doivent être surveillés afin d'éviter qu'ils jouent avec l'automatisme.
- Ne pas laisser les enfants jouer avec les dispositifs de commande fixes. Garder les dispositifs de commande (à distance) hors de portée des enfants.
- Durant le déroulement d'une manœuvre, contrôler l'automatisme et maintenir les personnes à distance de sécurité, jusqu'à la fin du mouvement.



- Ne pas activer l'automatisme si des personnes à proximité effectuent des travaux de nettoyage, des vitres notamment. Débrancher l'alimentation électrique pour réaliser ces travaux.
- Contrôlez fréquemment l'automatisme à la recherche d'éventuels signes d'usure, dommages ou déséquilibres. Ne pas utiliser l'automatisme s'il a besoin d'être réglé ou réparé ; s'adresser exclusivement au personnel technique spécialisé pour la résolution de ces problèmes.

## 2 DESCRIPTION DU PRODUIT ET DESTINATION D'USAGE

Ce produit a été conçu pour automatiser les portails coulissants et à battants. **ATTENTION ! - Toute utilisation autre que celle décrite et dans des conditions ambiantes différentes de celles indiquées dans ce manuel doit être considérée comme impropre et interdite !**

Le réducteur électromécanique est prévu en deux versions : TO3000 / TO3024 et TO4500 / TO4524.

Il est doté d'un moteur à courant continu de 24 V ou à courant alternatif de 220 V (selon le modèle) et d'un réducteur avec vis sans fin.

L'opérateur est alimenté par la centrale de commande extérieure auquel il doit être branché.

En cas de coupure de courant, il est possible d'ouvrir les portes manuelles en débrayant le réducteur (paragraphe 3.4).

## 3 INSTALLATION

### 3.1 - Contrôles à effectuer avant l'installation

**Attention ! - L'installation du moteur doit être effectuée par du personnel qualifié, dans le respect des lois, des normes et des règlements ainsi que de toutes les instructions de ce manuel.**

Avant l'installation :

01. Vérifier que la zone de fixation de l'opérateur est bien compatible avec l'encombrement de ce dernier (fig. 2) ;
02. Vérifier le mouvement correct de l'ouverture du portail et la force exercée par le moteur : ceux-ci dépendent de la position de fixation de la barre postérieure. Pour définir l'angle d'ouverture maximal du vantail et la force du moteur adaptée à l'installation, v. fig. 3.
03. Établir la position approximative d'installation de chacun des composants prévus dans l'installation et le schéma de connexion le plus approprié.

La fig. 4 montre un exemple d'installation d'automatisation réalisée avec des composants Nice :

**a** - Opérateur électromécanique

**b** - Centrale de commande

**c** - Couple de photocellules

**d** - Couple de butées mécaniques (ouverture)

**e** - Colonnes pour photocellules

**f** - Clignotant

**g** - Sélecteur à clé ou clavier numérique

**h** - Verrouillage électrique vertical

### 3.2 - Installation de l'opérateur

#### AVERTISSEMENTS

- Une installation incorrecte peut causer de graves blessures aux personnes qui effectuent le travail et à celles qui utiliseront le produit.
- Avant l'installation de l'automatisme, v. par. 3.1.

01. Repérer la position de fixation de la barre arrière et avant (fig. 3)
02. Fixer la barre arrière selon les indications (fig. 3)
03. Fixer l'opérateur sur la barre arrière (fig. 5/6)
04. Débloquer manuellement l'opérateur (fig. 7)
05. Extraire complètement la tige (fig. 8 - a) ;
06. Assembler la barre avant au vantail du portail (fig. 8 - b)

07. Vérifier si l'opérateur est de niveau, puis fixer la tige à la barre arrière (fig. 8 - c) ;

08. (fig. 9) Vérifier manuellement si :

- en position d'ouverture maximale, le portail se ferme sur les butées mécaniques
  - le mouvement du battant est régulier et il n'y a pas de frottement
- Éventuellement, prendre des mesures correctives pour que le mouvement soit satisfaisant

09. Décrocher la tige de la barre avant (fig. 10 - a) et la fixer définitivement au battant (fig. 10 - b)

10. Fixer définitivement la tige à la barre avant (fig. 10 - c)

11. Débloquer l'opérateur (fig. 11)

Répéter l'opération pour les deux opérateurs.

### 3.3 - Débrayer manuellement l'opérateur (fig. 7)

01. Soulever le bouchon en caoutchouc (fig. 7 - a)

02. Insérer la clé de débrayage fournie et la tourner dans le sens des aiguilles d'une montre à 90° (fig. 7 - b)

Répéter l'opération pour les deux opérateurs.

### 3.4 - Bloquer manuellement l'opérateur (fig. 11)

01. Placer manuellement le vantail du portail à mi-course

02. Soulever le bouchon en caoutchouc (fig. 11 - a)

03. Insérer la clé de débrayage fournie et la tourner dans le sens contraire des aiguilles d'une montre à 90° (fig. 11 - b)

Répéter l'opération pour les deux opérateurs.

## 4 RACCORDEMENTS ÉLECTRIQUES

#### ATTENTION !

- Une connexion incorrecte peut provoquer des pannes ou des situations de danger ; respecter par conséquent scrupuleusement les connexions indiquées.

- Effectuer les raccordements avec le courant coupé.

01. Retirer le couvercle de l'opérateur (fig. 12 - a)

02. Desserrer le passe-câble (fig. 12 - b) et insérer le câble de raccordement (fig. 12 - c)

03. Raccorder les différents câbles et le câble de terre dans l'œillet prévu à cet effet (fig. 13)

04. Serrer le serre-câble et remettre le couvercle (fig. 14)

## 5 ESSAI DE L'AUTOMATISME

Il s'agit des phases les plus importantes dans la réalisation de l'automatisation afin de garantir la sécurité maximum. L'essai peut être utilisé également comme vérification périodique des dispositifs qui composent l'automatisme.

**L'essai de toute l'installation doit être effectué par du personnel qualifié et expérimenté** qui devra se charger d'établir les essais prévus en fonction des risques présents et de vérifier le respect de ce qui est prévu par les lois, les normes et réglementations et en particulier, toutes les conditions de la norme EN 12445 qui détermine les méthodes d'essai pour la vérification des automatismes de portails.

### 5.1 - Essais

Chaque élément de l'automatisme (bords sensibles, les photocellules, l'arrêt d'urgence, etc.) demande une phase spécifique d'essai ; pour ces dispositifs, il faudra effectuer les procédures figurant dans les manuels d'instructions respectifs.

01. Vérifier que tout ce qui est prévu dans le présent manuel est rigoureusement respecté et en particulier dans le chapitre 1.

02. Débloquer manuellement l'opérateur (fig. 7)

03. Vérifier qu'il est possible de manœuvrer manuellement le portail en

ouverture et en fermeture avec une force ne dépassant pas 390 N (environ 40 kg).

**04.** Bloquer manuellement l'opérateur (**fig. 11**)

**05.** Raccorder l'alimentation électrique

**06.** En utilisant les dispositifs de commande ou d'arrêt prévus, effectuer des essais d'ouverture, de fermeture et d'arrêt du portail et vérifier que le comportement du portail correspond à ce qui est prévu.

**07.** Vérifier un par un le fonctionnement correct de tous les dispositifs de sécurité présents dans l'installation et vérifier que le comportement du portail correspond à ce qui est prévu.

**08.** Commander une manœuvre de fermeture et vérifier la force d'impact de la porte contre la butée de fin de course mécanique. Si nécessaire, essayer de réduire la pression pour un meilleur réglage.

**09.** Si les risques liés au mouvement du vantail n'ont pas été résorbés par la limitation de la force d'impact, il faut effectuer la mesure de la force suivant les prescriptions de la norme EN 12445.

**Remarque** – L'opérateur est doté de système de réglage du couple : ce réglage est confié à la centrale de commande.

### 5.2 - Mise en service

La mise en service peut avoir lieu uniquement après avoir réussi toutes les phases d'essai de l'opérateur (par. 5.1) et des autres dispositifs présents : pour la réaliser, v. manuel de la centrale de commande.

**IMPORTANT - La mise en service partielle ou dans des situations « provisoires » n'est pas autorisée.**

## 6 ACCESSOIRES OPTIONNELS

Le produit peut être équipé des accessoires en option suivants :

ACCESSOIRES version 230V
PLA10
PLA11
ACCESSOIRES version 24V
PLA10
PLA11
PS124

V. manuel des différents produits.

## 7 ENTRETIEN DU PRODUIT

Pour garantir le niveau de sécurité et la durée de toute l'installation, un entretien régulier est nécessaire. Il doit être réalisé dans le respect des consignes de sécurité stipulées dans le présent manuel et conformément aux éléments prévus par les lois en vigueur.

Pour l'opérateur, un entretien programmé dans les six mois maximum est nécessaire.

**01.** Déconnecter toutes les sources d'alimentation électrique.

**02.** Vérifier l'état de détérioration de tous les matériaux qui composent l'automatisme avec une attention particulière pour détecter les éventuels phénomènes d'érosion ou d'oxydation des parties de la structure ; remplacer les parties qui n'offrent pas de garanties suffisantes.

**03.** Vérifier si les raccords vissés sont bien serrés.

**04.** Vérifier l'état d'usure des parties en mouvement : pignon, crémaillère et toutes les parties du vantail, remplacer les parties usées.

**05.** Reconnecter les sources d'alimentation électrique et effectuer tous les essais et les contrôles prévus dans le paragraphe 5.

Pour tous les autres appareils composant l'installation, v. les manuels spécifiques.

## 8 MISE AU REBUT DU PRODUIT

**Ce produit fait partie intégrante de l'automatisme et doit donc être mis au rebut avec ce dernier.**

À la fin de la durée de vie du produit, l'opération de démontage doit être effectuée par un personnel qualifié.

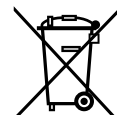
Ce produit se compose de divers matériaux : certains peuvent être recyclés, d'autres doivent être mis au rebut. Vérifier les systèmes de recyclage et d'élimination prévus par les règlements en vigueur dans votre région.

**Attention !** – certains composants du produit peuvent contenir des substances polluantes ou dangereuses qui pourraient avoir des effets nuisibles sur l'environnement et sur la santé des personnes s'ils n'étaient pas adéquatement éliminés.

Comme l'indique le symbole ci-contre, il est interdit de jeter ce produit avec les ordures ménagères.

Procéder au tri des composants pour leur élimination conformément aux normes locales en vigueur ou restituer le produit au vendeur lors de l'achat d'un nouveau produit équivalent.

**Attention !** – les règlements locaux en vigueur peuvent prévoir de lourdes sanctions en cas d'élimination prohibée de ce produit.



**AVERTISSEMENTS :** • Toutes les caractéristiques techniques indiquées se réfèrent à une température ambiante de 20 °C (± 5 °C). • Nice S.p.a. se réserve le droit d'apporter des modifications au produit à tout moment si elle le juge nécessaire, en garantissant dans tous les cas les mêmes fonctions et le même type d'utilisation prévu.

MODÈLE	TOO4500	TOO4524	TOO3000	TOO3024
Tension moteur [V]	230	24	230	24
Fréquence [Hz]	50	DC	50	DC
Longueur max. du vantail [m]	4,5	4,5	3	3
Poids max. du vantail [kg]	250	250	300	300
Indice de protection IP	54	54	54	54
Température de fonctionnement [°C]	de -20 à +50	de -20 à +50	de -20 à +50	de -20 à +50
Poids moteur [kg]	6	5,5	6	5,5
Vitesse [m/s]	0 016	0 014	0 016	0 014
Course [mm]	500	500	400	400
Condensateur [mF]	7	-	7	-
Absorption nominale [A]	1.1	1.1	1.1	1.1
Absorption maximale [A]	1,5	5	1,5	5
Puissance nominale absorbée [W]	250	30	250	30
Puissance maximum absorbée [W]	340	120	340	120
Force nominale [N]	300	300	300	300
Force maximale [N]	2000	1800	2000	1800
Cycles de travail (cycles/heure)	24	continu	24	continu
Centrales de commande	A60	MC424L	A60	MC424L
Dimensions [mm]	800 x 100 x 177 h	800 x 100 x 177 h	800 x 100 x 177 h	800 x 100 x 177 h

## Déclaration de conformité CE et déclaration d'intégration de « quasi-machine » Déclaration conforme aux Directives : 12004/108/CE (CEM) ; 2006/42/CE (MD) Annexe II, partie B

**Remarque** - Le contenu de cette déclaration de conformité correspond à ce qui est déclaré dans le document officiel, déposé au siège de Nice S.p.a., et en particulier à sa dernière révision disponible avant l'impression de ce guide. Le présent texte a été réadapté pour des raisons d'édition. Une copie de la déclaration originale peut être demandée à Nice S.p.a. (TV) I.

**Numéro de déclaration :** 507/TOO      **Révision :** 0      **Langue :** FR  
**Nom du fabricant :** NICE S.p.a.  
**Adresse :** Via Pezza Alta N°13, 31046 Rustignè di Oderzo (TV) Italie  
**Personne autorisée à constituer la documentation technique :** NICE S.p.a.  
**Type de produit :** Moteur télescopique pour portails à battant  
**Modèle / Type :** TOO3000, TOO3024, TOO4500, TOO4524  
**Accessoires :**

Le soussigné Mauro Sordini, en sa qualité de Chief Executive Officer, déclare sous son entière responsabilité que le produit indiqué ci-dessus est conforme aux dispositions prescrites par les directives suivantes :

- DIRECTIVE 2004/108/CE DU PARLEMENT EUROPÉEN ET DU CONSEIL du 15 décembre 2004 relative au rapprochement des législations des États membres concernant la compatibilité électromagnétique et abrogeant la Directive 89/336/CEE, selon les normes harmonisées suivantes : EN 61000-6-2:2005, EN 61000-6-4:2007

En outre, le produit s'avère conforme à la Directive ci-après selon les conditions essentielles requises pour les « quasi-machines » :

- Directive 2006/42/CE DU PARLEMENT EUROPÉEN ET DU CONSEIL du 17 mai 2006 relative aux machines, modifiant la directive 95/16/CE (refonte), selon les normes harmonisées suivantes :
- Nous déclarons que la documentation technique pertinente a été remplie conformément à l'annexe VII B de la directive 2006/42/CE et que les conditions essentielles suivantes ont été respectées : 1.1.1- 1.1.2- 1.1.3- 1.2.1-1.2.6- 1.5.1-1.5.2- 1.5.5- 1.5.6- 1.5.7- 1.5.8- 1.5.10- 1.5.11
- Le producteur s'engage à transmettre aux autorités nationales, suite à une demande dûment motivée, les informations pertinentes sur la « quasi-machine », sans que cela porte préjudice à ses droits de propriété intellectuelle.
- Si la « quasi-machine » est mise en service dans un pays européen dont la langue officielle diffère de celle utilisée dans la présente déclaration, l'importateur a l'obligation de joindre en annexe la traduction de la déclaration.
- Il est précisé que la quasi-machine ne doit pas être mise en service tant que la machine finale dans laquelle elle doit être incorporée n'a pas été elle-même déclarée conforme aux dispositions pertinentes de la directive 2006/42/CE.

En outre, le produit s'avère conforme aux normes suivantes : EN 60335-1:2012 ; EN 60335-2-103:2003 +A1:2009

Le produit s'avère conforme, limitativement aux parties applicables, aux normes suivantes : EN 13241-1:2003, EN 12445:2002, EN 12453:2002, EN 12978:2003

Oderzo, vendredi 9 mai 2014

  
**Mauro Sordini**  
 (Chief Executive Officer)

# Índice

IMÁGENES ..... II - VII

**Capítulo 1 - ADVERTENCIAS Y PRECAUCIONES GENERALES**

1.1 - Advertencias de seguridad ..... 1

1.2 - Advertencias para la instalación ..... 1

1.3 - Advertencias para el uso ..... 1

**Capítulo 2 - DESCRIPCIÓN DEL PRODUCTO Y DESTINO DE USO ..... 2**

**Capítulo 3 - INSTALACIÓN**

3.1 - Controles preliminares a la instalación ..... 2

3.2 - Instalación del motorreductor ..... 2

3.3 - Desbloqueo manual del motorreductor ..... 2

3.4 - Bloqueo manual del motorreductor ..... 2

**Capítulo 4 - CONEXIONES ELÉCTRICAS ..... 2**

**Capítulo 5 - PRUEBA DE LA AUTOMATIZACIÓN**

5.1 - Prueba ..... 2

5.2 - Puesta en servicio ..... 3

**Capítulo 6 - ACCESORIOS OPCIONALES ..... 3**

**Capítulo 7 - MANTENIMIENTO DEL PRODUCTO ..... 3**

**Capítulo 8 - ELIMINACIÓN DEL PRODUCTO ..... 3**

**Capítulo 9 - CARACTERÍSTICAS TÉCNICAS DEL PRODUCTO ..... 4**

**Declaración CE de conformidad ..... 4**

**Manual de uso (anexo para recortar) ..... 5**

## 1.1 - Advertencias de seguridad

- **¡ATENCIÓN!** - **Importantes instrucciones de seguridad** Por la seguridad de las personas, es importante atenerse a estas instrucciones; una instalación inadecuada puede provocar lesiones graves.  
**Leer atentamente las instrucciones antes de ponerse a trabajar. En caso de dudas, pedir aclaraciones al Servicio de Asistencia Nice.**
- **¡ATENCIÓN!** - **Conservar estas instrucciones para cuando se deban llevar a cabo trabajos de mantenimiento y para cuando se deba eliminar el dispositivo.**
- **¡ATENCIÓN!** - **Según la legislación europea más reciente, la realización de una puerta o cancela automática entra en el ámbito de las disposiciones de la Directiva 2006/42/EC (Directiva Máquinas) y, en particular, las normas EN 12445; EN 12453; EN 12635 y EN 13241-1, que permiten declarar la presunción de conformidad de la automatización. Todas las operaciones de instalación, conexión, programación y mantenimiento del producto debe llevarlas a cabo única y exclusivamente un técnico cualificado y competente a tal efecto, respetando en todo momento las leyes, la normativa, los reglamentos locales y las instrucciones contenidas en este manual.**

## 1.2 - Advertencias para la instalación

- Antes de comenzar la instalación, verificar si el producto es adecuado para automatizar la cancela en cuestión (ver los capítulos 3 y 9). NO proceder con la instalación si el producto no es adecuado.
- Es necesario que el sistema de automatización esté desconectado de la fuente de alimentación para proceder con las operaciones de instalación y mantenimiento del producto. Por precaución, antes de comenzar el trabajo, aplicar al dispositivo de desconexión un cartel con el mensaje “¡ATENCIÓN! MANTENIMIENTO EN CURSO”.
- Durante la instalación, manejar con cuidado el producto, evitando aplastamientos, golpes, caídas o el contacto con líquidos de cualquier tipo. No colocar el producto cerca de fuentes de calor ni exponerlo a llamas libres. Todas estas acciones pueden dañarlo y provocar funcionamientos defectuosos o situaciones de peligro. En tal caso, interrumpir inmediatamente la instalación y acudir al Servicio de Asistencia Nice.
- No efectuar modificaciones en ninguna parte del producto. Las operaciones no permitidas pueden provocar desperfectos de funcionamiento. El fabricante no se asumirá ninguna responsabilidad por daños originados por modificaciones arbitrarias hechas al producto.
- Si la cancela que se desea automatizar incluye una puerta peatonal, es necesario preparar la instalación con un sistema de control que inhabilite el funcionamiento del motor cuando la puerta peatonal esté abierta.
- Comprobar que no haya puntos de atrapamiento en las partes fijas cuando la hoja de la cancela se encuentre en la posición de máxima apertura y cierre; proteger dichas partes en caso de necesidad.
- El material del embalaje del producto debe desecharse de plena conformidad con la normativa local.

## 1.3 - Advertencias para el uso

- El producto no puede ser utilizado por los niños ni por personas con discapacidades físicas, sensoriales o mentales, o bien carentes de experiencia o conocimiento, a menos que sean vigilados por una persona responsable de su seguridad o instruidos acerca del uso del producto.
- Es necesario mantener vigilados a los niños para asegurarse de que no jueguen con la automatización.
- No permitir que los niños jueguen con los dispositivos de mando fijos. Mantener los dispositivos de mando remotos fuera del alcance de los niños.
- Durante la ejecución de una maniobra, controlar el sistema de automatización y asegurarse de que las personas se mantengan alejadas hasta que el sistema pare de funcionar.
- No poner en funcionamiento el sistema de automatización cuando

en sus proximidades se estén realizando tareas como la limpieza de los cristales; es necesario desconectar la fuente de alimentación antes de realizar estas tareas.

- Controlar con frecuencia la automatización a fin de detectar posibles marcas de desgaste, daños o desequilibrios. No utilizar el sistema de automatización en caso de que éste necesite ajustes o reparaciones; de ser así, remitirse exclusivamente a personal técnico cualificado.

## 2 DESCRIPCIÓN DEL PRODUCTO Y DESTINO DE USO

Este producto está destinado a utilizarse para automatizar cancelas y hojas batientes. **¡ATENCIÓN! – Cualquier empleo diferente de aquel descrito y en condiciones ambientales diferentes de aquellas indicadas en este manual debe considerarse inadecuado y prohibido.**

Es un motorreductor electromecánico que se suministra en dos versiones:

TO3000 / TO3024 y TO4500 / TO4524.

Consiste en un motor para corriente continua a 24 V o alterna a 220 V (según el modelo elegido) y un reductor con tornillo sinfín.

El motorreductor es alimentado por la central de mando externa, a la cual debe estar conectado.

En caso de corte de suministro eléctrico, es posible mover las hojas manualmente desbloqueando el motorreductor (ver el apartado 3.4).

## 3 INSTALACIÓN

### 3.1 - Controles preliminares a la instalación

**¡Atención! - El motor debe ser instalado por personal cualificado, respetando las leyes, las normas y los reglamentos, además de estas instrucciones.**

Antes de realizar la instalación:

01. Comprobar que la zona de fijación del motorreductor sea adecuada para el tamaño de éste (fig. 2);
02. Verificar el correcto movimiento de apertura de la cancela y la fuerza ejercida por el motor: ambos dependen de la posición de fijación de la brida posterior. Para definir el ángulo de apertura máxima de la hoja y la fuerza del motor de acuerdo con la instalación, ver la fig. 3.
03. Definir la posición aproximada de instalación de cada componente y el esquema de conexión más adecuado.

La fig. 4 muestra un ejemplo típico de automatización realizado con componentes Nice:

- a - Motorreductores electromecánicos
- b - Central de mando
- c - Par de fotocélulas
- d - Par de topes mecánicos (en apertura)
- e - Columnas para fotocélulas
- f - Señal intermitente
- g - Selector de llave o teclado digital
- h - Electrocerradura vertical

### 3.2 - Instalación del motorreductor

#### ADVERTENCIAS

- Una instalación incorrecta podría provocar heridas graves a la persona que realice el trabajo y a las personas que utilicen el sistema.
- Antes de realizar la instalación de la automatización, consultar el apartado 3.1.

01. Identificar la posición de fijación de la brida posterior y delantera (fig. 3)
02. Fijar la brida posterior según las distancias de instalación (fig. 3)
03. Fijar el motorreductor sobre la brida posterior (fig. 5 / 6)

04. Desbloquear manualmente el motorreductor (fig. 7)

05. Extraer completamente el vástago (fig. 8 - a)

06. Ensamblar provisoriamente la brida delantera a la hoja de la cancela (fig. 8 - b)

07. Comprobar que el motorreductor esté bien nivelado y fijar el vástago a la brida delantera (fig. 8 - c)

08. (fig. 9) Comprobar manualmente que:

- en posición de apertura máxima, la cancela se detenga en los topes mecánicos
  - el movimiento de la hoja sea regular y sin roces
- Corregir hasta que el movimiento sea adecuado

09. Desenganchar el vástago de la brida delantera (fig. 10 - a) y fijarla definitivamente a la hoja (fig. 10 - b)

10. Fijar el vástago definitivamente a la brida delantera (fig. 10 - c)

11. Bloquear el motorreductor (fig. 11)

Realizar la misma operación con ambos motorreductores.

### 3.3 - Desbloquear manualmente el motorreductor (fig. 7)

01. Levantar el tapón de goma (fig. 7 - a)

02. Poner la llave de desbloqueo y girarla 90° en sentido horario (fig. 7 - b)

Realizar la misma operación con ambos motorreductores.

### 3.4 - Bloquear manualmente el motorreductor (fig. 11)

01. Llevar la hoja de la cancela manualmente hasta la mitad de su recorrido

02. Levantar el tapón de goma (fig. 11 - a)

03. Poner la llave de desbloqueo y girarla 90° en sentido antihorario (fig. 11 - b)

Realizar la misma operación con ambos motorreductores.

## 4 CONEXIONES ELÉCTRICAS

### ¡ATENCIÓN!

– Una conexión incorrecta podría provocar averías o situaciones peligrosas: respetar estrictamente las conexiones indicadas.

– Ejecutar las operaciones de conexión con la alimentación eléctrica desconectada.

01. Sacar la tapa del motorreductor (fig. 12 - a)

02. Aflojar el pasacable (fig. 12 - b) y poner el cable de conexión (fig. 12 - c)

03. Conectar todos los cables y el cable de tierra en el ojal correspondiente (fig. 13)

04. Apretar el prensaestopas y poner la tapa (fig. 14)

## 5 PRUEBA DE LA AUTOMATIZACIÓN

Ésta es la etapa más importante de la realización de la automatización a fin de garantizar su máxima seguridad. La prueba puede realizarse a modo de control periódico de los dispositivos que componen la automatización.

**La prueba de toda la instalación debe ser efectuada por personal cualificado** y experto, el cual deberá establecer los ensayos previstos de acuerdo con los riesgos presentes y comprobar que se respeten las leyes, normativas y reglamentos, especialmente todos los requisitos de la norma EN 12445, que establece los métodos de prueba de las automatizaciones para cancelas.

### 5.1 - Prueba

Cada componente de la automatización (bandas sensibles, fotocélulas, parada de emergencia, etc.) requiere un fase de prueba específica; por lo tanto, se deberán seguir los diferentes procedimientos

indicados en los respectivos manuales de instrucciones.

01. Comprobar que hayan sido respetadas estrictamente las indicaciones dadas en este manual y especialmente aquellas del capítulo 1
02. Desbloquear manualmente el motorreductor (**fig. 7**)
03. Comprobar que sea posible abrir y cerrar manualmente la hoja con una fuerza que no supere los 390 N (alrededor de 40 kg)
04. Bloquear manualmente el motorreductor (**fig. 11**)
05. Conectar la alimentación eléctrica
06. Utilizando los dispositivos de mando o de parada previstos, efectuar pruebas de apertura, cierre y parada de la cancela y verificar la respuesta correcta
07. Verificar el funcionamiento correcto de todos los dispositivos de seguridad incorporados en la instalación, comprobando la respuesta correcta de la cancela
08. Activar una maniobra de cierre y verificar la fuerza de impacto de la hoja contra el tope mecánico. De ser necesario, descargar la presión para mejorar la regulación
09. Si las situaciones peligrosas causadas por el movimiento de la hoja se han prevenido limitando la fuerza de impacto, hay que medir la fuerza de acuerdo con la prescripción de la norma EN 12445

**Nota** – El motorreductor no tiene dispositivos de regulación de par: esta regulación depende de la central de mando.

## 5.2 - Puesta en servicio

La puesta en servicio puede llevarse a cabo sólo después de haber efectuado correctamente todas las pruebas del motorreductor (apartado 5.1) y de los demás dispositivos montados: consultar el manual de la central de mando.

**IMPORTANTE** – Está prohibida la puesta en servicio parcial o en situaciones “precarias”.

## 6 ACCESORIOS OPCIONALES

Para este producto están disponibles los siguientes accesorios opcionales:

ACCESORIOS versión 230V
PLA10
PLA11
ACCESORIOS versión 24V
PLA10
PLA11
PS124

Consultar el manual de instrucciones de cada producto.

## 7 MANTENIMIENTO DEL PRODUCTO

Para que el nivel de seguridad sea constante y para garantizar la duración máxima de la automatización, es necesario el mantenimiento regular, que debe realizarse según las prescripciones de seguridad de este manual y las leyes y normas vigentes.

El motorreductor requiere un mantenimiento programado dentro de un máximo de 6 meses.

01. Desconectar todas las fuentes de alimentación eléctrica
02. Comprobar las condiciones de todos los materiales que componen la automatización, controlando especialmente los fenómenos de corrosión y oxidación de las piezas de la estructura; sustituir las piezas que no sean suficientemente seguras
03. Comprobar que las conexiones roscadas estén bien apretadas
04. Controlar el desgaste de las piezas móviles y sustituir las piezas desgastadas
05. Conectar las fuentes de alimentación eléctrica y ejecutar todas las pruebas y controles previstos en el apartado 5.

Para los otros dispositivos de la automatización consultar los manuales de instrucciones correspondientes.

## 8 ELIMINACIÓN DEL PRODUCTO

**Este producto es parte integrante de la automatización y, por consiguiente, deberá eliminarse junto con ella.**

Al final de la vida útil del producto, las operaciones de eliminación deben ser llevadas a cabo por personal cualificado.

Este producto está formado por varios tipos de materiales: algunos de ellos pueden reciclarse y otros deben eliminarse. Verifique los sistemas de reciclaje y eliminación contemplados por las normativas vigentes en su territorio.

**¡Atención!** – Algunas piezas del producto pueden contener sustancias contaminantes o peligrosas que, de abandonarlas en el medio ambiente, podrían provocar efectos perjudiciales para el medio ambiente y para la salud humana.

Como indica el símbolo que aparece al lado, está prohibido eliminar este producto junto con los desechos domésticos.



Realice la recogida selectiva para la eliminación, según las normativas vigentes locales, o bien entregue el producto al vendedor cuando compre un nuevo producto equivalente.

**¡Atención!** Los reglamentos locales pueden prever sanciones importantes en caso de eliminación ilícita de este producto.

## 9 CARACTERÍSTICAS TÉCNICAS DEL PRODUCTO

**ADVERTENCIAS:** • Todas las características técnicas indicadas se refieren a una temperatura ambiente de 20 °C (±5 °C). • Nice S.p.A. se reserva el derecho de modificar el producto en cualquier momento en que lo considere necesario, manteniendo las mismas funciones y el mismo uso previsto.

MODELO	TOO4500	TOO4524	TOO3000	TOO3024
Tensión motor [V]	230	24	230	24
Frecuencia [Hz]	50	DC	50	DC
Longitud máx. hoja [m]	4,5	4,5	3	3
Peso máx. hoja [kg]	250	250	300	300
Grado de protección IP	54	54	54	54
Temperatura de funcionamiento [C°]	de -20 a +50	de -20 a +50	de -20 a +50	de -20 a +50
Peso del motor [kg]	6	5,5	6	5,5
Velocidad [m/s]	0.016	0.014	0.016	0.014
Carrera [mm]	500	500	400	400
Condensador [mF]	7	-	7	-
Consumo nominal [A]	1.1	1.1	1.1	1.1
Consumo máximo [A]	1,5	5	1,5	5
Potencia nominal absorbida [W]	250	30	250	30
Potencia máxima absorbida [W]	340	120	340	120
Fuerza nominal [N]	300	300	300	300
Fuerza máxima [N]	2000	1800	2000	1800
Ciclos de trabajo (ciclos/hora)	24	continuo	24	continuo
Centrales de mando	A60	MC424L	A60	MC424L
Medidas (mm):	800 x 100 x 177 h	800 x 100 x 177 h	800 x 100 x 177 h	800 x 100 x 177 h

### Declaración de conformidad CE y declaración de incorporación de "cuasi máquina" Declaración de conformidad con las Directivas: 12004/108/CE (CEM); 2006/42/CE (DM), anexo II, parte B

**Nota** - El contenido de esta declaración corresponde a lo declarado en el documento oficial depositado en la sede de Nice S.p.a. y, en particular, a su última revisión disponible antes de la impresión de este manual. El texto ha sido readaptado por motivos de impresión. No obstante, se puede solicitar una copia de la declaración original a Nice S.p.a. (TV) I.

**Número de declaración:** 507/TOO      **Revisión:** 0      **Idioma:** ES  
**Nombre del fabricante:** NICE S.p.a.  
**Dirección:** Via Pezza Alta N°13, 31046 Rustignè di Oderzo (TV) Italia  
**Persona autorizada para elaborar la documentación técnica:** NICE S.p.a.  
**Tipo de producto:** Motor telescópico para cancelas batientes  
**Modelo / Tipo:** TOO3000, TOO3024, TOO4500, TOO4524  
**Accesorios:**

El que suscribe, Mauro Sordini, en su carácter de Chief Executive Officer, declara bajo su responsabilidad que los productos antedichos son conformes a las disposiciones de las siguientes directivas:

- DIRECTIVA 2004/108/CE DEL PARLAMENTO EUROPEO Y DEL CONSEJO del 15 diciembre de 2004 relativa a la asimilación de las leyes de los Estados miembros sobre la compatibilidad electromagnética y que revoca la directiva 89/336/CEE, según las siguientes normas armonizadas: EN 61000-6-2:2005, EN 61000-6-4:2007

Asimismo, el producto cumple con la siguiente directiva de conformidad con los requisitos previstos para las "cuasi máquinas":

- Directiva 2006/42/CE DEL PARLAMENTO EUROPEO Y DEL CONSEJO del 17 de mayo de 2006 relativa a las máquinas y que modifica la directiva 95/16/CE (refundición) según las siguientes normas armonizadas:
- Se declara que la documentación técnica correspondiente se ha elaborado de conformidad con el anexo VII B de la Directiva 2006/42/CE y que se han respetado los siguientes requisitos fundamentales: 1.1.1- 1.1.2- 1.1.3- 1.2.1-1.2.6- 1.5.1-1.5.2- 1.5.5- 1.5.6- 1.5.7- 1.5.8- 1.5.10- 1.5.11
- El fabricante se compromete a enviar a las autoridades nacionales que así lo soliciten la información pertinente sobre la "cuasi máquina", sin perjuicio de sus propios derechos de propiedad intelectual.
- Si la "cuasi máquina" se pone en servicio en un país europeo cuyo idioma oficial no sea el adoptado en esta declaración, el importador tendrá la obligación de adjuntar la traducción correspondiente.
- Se advierte que la "cuasi máquina" no deberá ponerse en servicio hasta que la máquina que la contenga no sea declarada conforme en virtud de la directiva 2006/42/CE, si procede.

El producto cumple con las siguientes normas: EN 60335-1:2012; EN 60335-2-103:2003 +A1:2009

El producto, con limitación a las partes aplicables, también cumple con las siguientes normas:  
 EN 13241-1:2003, EN 12445:2002, EN 12453:2002, EN 12978:2003

Oderzo, 9 de mayo de 2014

  
 Ing. Mauro Sordini  
 (Chief Executive Officer)

# Inhaltsverzeichnis

ABBILDUNGEN .....	II - VII
<b>Kapitel 1 - ALLGEMEINE HINWEISE UND MASSNAHMEN</b>	
1.1 - Sicherheitshinweise .....	1
1.2 - Hinweise zur Installation .....	1
1.3 - Hinweise für den Gebrauch .....	1
<b>Kapitel 2 - PRODUKTBESCHREIBUNG UND VERWENDUNGSZWECK</b> .....	2
<b>Kapitel 3 - INSTALLATION</b>	
3.1 - Überprüfungen vor der Installation .....	2
3.2 - Installation des Torantriebs .....	2
3.3 - Manuelles Entriegeln des Antriebs .....	2
3.4 - Manuelles Blockieren des Antriebs .....	2
<b>Kapitel 4 - ELEKTRISCHE ANSCHLÜSSE</b> .....	2
<b>Kapitel 5 - ABNAHMEPRÜFUNG DER AUTOMATISIERUNG</b>	
5.1 - Abnahme .....	3
5.2 - Inbetriebsetzung .....	3
<b>Kapitel 6 - OPTIONALE ZUBEHÖRTEILE</b> .....	3
<b>Kapitel 7 - WARTUNG DES PRODUKTS</b> .....	3
<b>Kapitel 8 - ENTSORGUNG DES PRODUKTES</b> .....	3
<b>Kapitel 9 - TECHNISCHE MERKMALE DES PRODUKTS</b> .....	4
<b>EG-Konformitätserklärung</b> .....	4
<b>Bedienungshandbuch (Einlage herausnehmbar)</b> .....	5

## 1.1 - Sicherheitshinweise

- **ACHTUNG!** - Wichtige Sicherheitshinweise. Um die Sicherheit von Personen sicherzustellen, müssen diese Anweisungen unbedingt befolgt werden, da eine unsachgemäße Installation schwere Verletzungen zur Folge haben kann. Lesen Sie diese Anweisungen aufmerksam durch, bevor Sie mit den Arbeiten beginnen; wenden Sie sich im Zweifelsfall an den Nice-Kundendienst.
- **ACHTUNG!** - Diese Anleitungen für eventuelle zukünftige Wartungsarbeiten und für die Entsorgung des Produkts aufbewahren.
- **ACHTUNG!** - Gemäß der neuesten europäischen Gesetzgebung muss die Realisierung einer Tür- oder Torautomatisierung unter Einhaltung der Normen in der Richtlinie 2006/42/EG (Maschinenrichtlinie) und insbesondere der Normen EN 12445, EN 12453, EN 12635 und EN 13241-1 erfolgen, welche eine Erklärung der vermuteten Konformität der Automatisierung erlauben. Vor diesem Hintergrund dürfen alle Installations-, Anschluss-, Programmierungs- und Wartungsarbeiten, die das Produkt betreffen, nur von einem kompetenten Fachtechniker unter Beachtung der Gesetze, der Bestimmungen, der örtlichen Regelungen und der in diesem Handbuch aufgeführten Anweisungen ausgeführt werden.

## 1.2 - Hinweise für die Installation

- Bevor Sie mit der Installation beginnen, muss überprüft werden, ob dieses Produkt für die Automatisierung Ihres Tors geeignet ist (siehe Kapitel 3 und 9). Wenn es nicht geeignet sein sollte, dürfen sie NICHT mit der Installation fortfahren.
- Alle Installations- und Wartungsarbeiten müssen bei elektrisch abgeschalteter Automatisierung erfolgen. Außerdem muss zur Sicherheit vor Beginn der Arbeit auf der Trennvorrichtung ein Schild mit folgender Aufschrift angebracht werden: „ACHTUNG! WARTUNGSARBEITEN“.
- Handhaben Sie die Anlage während der Installation mit Vorsicht: Vermeiden Sie Quetschungen, Stöße, Herunterfallen sowie den Kontakt mit Flüssigkeiten aller Art. Das Produkt darf nicht in die Nähe von Hitzequellen gelangen und keinen offenen Flammen ausgesetzt werden. All diese Handlungen können das Produkt beschädigen oder Ursache für Störungen oder Gefahrensituationen sein. Falls es dennoch passieren sollte, unterbrechen Sie die Installation und wenden Sie sich an den Nice-Kundenservice.
- Nehmen Sie an keinem Produktteil Änderungen vor. Nicht zulässige Arbeiten können nur Betriebsstörungen verursachen. Der Hersteller übernimmt keinerlei Haftung für Schäden, die durch willkürliche Änderungen am Produkt entstanden sind.
- Falls das zu automatisierende Tor mit einem Fußgängerzugang ausgestattet ist, wird es notwendig, an der Anlage ein Kontrollsystem zu installieren, das die Motorfunktion blockiert, wenn der Eingang für Fußgänger offen steht.
- Überprüfen Sie, dass keine Einklemmstellen zu den festen Teilen vorhanden sind, wenn sich der Torflügel in der Position der maximalen Öffnung und Schließung befindet. Diese Teile sollten eventuell geschützt werden.
- Das Verpackungsmaterial des Produkts muss in Übereinstimmung mit den örtlichen Vorschriften entsorgt werden.

## 1.3 - Hinweise zum Gebrauch

- Das Produkt ist nicht dafür bestimmt, durch Personen (einschließlich Kinder) mit eingeschränkten physischen, sensorischen oder geistigen Fähigkeiten oder mangels Erfahrung und/oder mangels Wissen benutzt zu werden, es sei denn, sie werden durch eine für ihre Sicherheit zuständige Person beaufsichtigt oder erhalten von ihr Anweisungen, wie das Produkt zu benutzen ist.
- Kinder müssen überwacht werden, um sicherzustellen, dass sie nicht mit der Automation spielen.
- Kinder dürfen nicht mit den fest eingebauten Steuervorrichtungen spielen. Tragbare Bediengeräte (Fernsteuerungen) außerhalb der Reichweite von Kindern aufbewahren.



- Während der Ausführung der Bewegung den Automatikbetrieb kontrollieren und Personen davon fernhalten, bis die Bewegung beendet ist.
- Betätigen Sie die Automatisierung nicht, wenn in der Nähe Personen arbeiten, z.B. Fenster putzen; trennen Sie die Vorrichtung vom Stromnetz, bevor solche Arbeiten ausgeführt werden.
- Kontrollieren Sie die Automatisierung häufig auf eventuelle Abnutzungserscheinungen, Schäden oder Ungleichgewichte. Verwenden Sie die Automatisierung nicht, wenn sie eingestellt oder repariert werden muss. Wenden Sie sich zur Lösung dieser Probleme ausschließlich an spezialisierte Fachkräfte.

## 2 PRODUKTBESCHREIBUNG UND VERWENDUNGSZWECK

Dieses Produkt ist für die Automatisierung von Drehtoren bestimmt. **ACHTUNG! – Jeder andere Verwendung als hier beschrieben und unter Umgebungsbedingungen, die sich von den in diesem Handbuch beschriebenen unterscheiden, ist unsachgemäß und verboten!**

Es handelt sich um einen elektromechanischen Antrieb in zwei Ausführungen:

TO3000 / TO3024 und TO4500 / TO4524.

Er ist mit einem Motor mit 24 V Gleichstrom oder mit 220 V Wechselstrom (je nach gewähltem Modell) und mit einem Getriebe mit Endloschraube ausgestattet.

Der Antrieb wird von einer externen Steuerung gespeist, an die er angeschlossen sein muss.

Im Fall eines Stromausfalls (Black-out) können die Flügel des Tors manuell bewegt werden, nachdem der Antrieb entriegelt wurde (Abschnitt 3.4).

## 3 INSTALLATION

### 3.1 – Überprüfungen vor der Installation

**Achtung! - Die Installation des Motors muss von qualifiziertem Fachpersonal unter genauester Beachtung der Gesetze, Vorschriften und Verordnungen und der Angaben in den vorliegenden Anweisungen ausgeführt werden.**

Vor der Installation:

01. Den Befestigungsbereich des Antriebs überprüfen: Er muss mit dem Gesamtmaß des Antriebs übereinstimmen (**Abb. 2**);
02. Prüfen, ob die Öffnungsbewegung des Tors und die Kraft, die der Motor ausübt, korrekt sind: Diese sind abhängig von der Befestigungsposition des hinteren Bügels. Um den maximalen Öffnungswinkel des Flügels und die für die Anlage geeignete Kraft zu bestimmen, siehe **Abb. 3**.
03. Die ungefähre Installationsposition für jede Komponente in der Anlage und das geeignetste Anschlussschema festlegen.

Die **Abbildung 4** zeigt ein Beispiel für eine Automatisierungsanlage, die mit Nice-Komponenten realisiert wurde:

- a - Elektromechanischer Antrieb
- b - Steuerung
- c - Fotozellenpaar
- d - Paar mechanische Endschalter (beim Öffnen)
- e - Säulen für Photozellen
- f - Blinkanzeige
- g - Schlüsselschalter oder digitale Tastatur
- h - Vertikales Elektroschloss

### 3.2 - Installation des Getriebemotors

#### HINWEISE

- Eine fehlerhafte Installation kann zu schwerwiegenden Verletzungen beim Installateur führen sowie bei den Personen, die die Anlage bedienen.
- Vor der Installation der Automatisierung siehe Abschnitt 3.1.

01. Die Befestigungsposition des hinteren und des vorderen Bügels bestimmen (**Abb. 3**)
02. Den hinteren Bügel gemäß den Maßangaben montieren (**Abb. 3**)
03. Den Antrieb auf dem hinteren Bügel befestigen (**Abb. 5/6**)
04. Den Antrieb manuell entriegeln (**Abb. 7**).
05. Den Schaft komplett herausziehen (**Abb. 8 - a**);
06. Den vorderen Bügel provisorisch am Torflügel montieren (**Abb. 8 - b**)
07. Mit der Wasserwaage prüfen, ob der Antrieb waagrecht ist, dann den Schaft am vorderen Bügel befestigen (**Abb. 8 - c**);
08. (**Abb. 9**) Manuell überprüfen, ob:
  - das Tor in der maximalen Öffnungsposition an den mechanischen Endschaltern stoppt;
  - die Bewegung des Flügels gleichmäßig und reibungslos erfolgt. Eventuelle Korrekturen ausführen, bis die Bewegung zufriedenstellend ist
09. Den Schaft vom vorderen Bügel aushaken (**Abb. 10 - a**) diesen endgültig am Flügel befestigen (**Abb. 10 - b**)
10. Den Schaft endgültig am vorderen Bügel befestigen (**Abb. 10 - c**)
11. Den Antrieb blockieren (**Abb. 11**)

Den Vorgang für beide Antriebe wiederholen.

### 3.3 - Manuelles Entriegeln des Antriebs (**Abb. 7**)

01. Den Gummiverschluss abnehmen (**Abb. 7 - a**)
02. Den mitgelieferten Entriegelungsschlüssel einstecken und im Uhrzeigersinn um 90° drehen (**Abb. 7 - b**)

Den Vorgang für beide Antriebe wiederholen.

### 3.4 - Manuelles Blockieren des Antriebs (**Abb. 11**)

01. Den Torflügel manuell auf der Hälfte seines Wegs positionieren
02. Den Gummiverschluss abnehmen (**Abb. 11 - a**)
03. Den mitgelieferten Entriegelungsschlüssel einstecken und gegen den Uhrzeigersinn um 90° drehen (**Abb. 11 - b**)

Den Vorgang für beide Antriebe wiederholen.

## 4 ELEKTRISCHE ANSCHLÜSSE

#### ACHTUNG!

- Ein falscher Anschluss kann Defekte und/oder Gefahren verursachen, daher die angegebenen Anschlüsse genauestens ausführen.
- Die Anschlussarbeiten mit unterbrochener Stromversorgung ausführen.

01. Den Deckel vom Antrieb abnehmen (**Abb. 12 - a**)
02. Die Kabelführung lockern (**Abb. 12 - b**) und das Anschlusskabel einführen (**Abb. 12 - c**)
03. Die einzelnen Kabel anschließen und das Erdungskabel mit der dafür vorgesehenen Öse verbinden (**Abb. 13**)
04. Die Kabelführungen festziehen und den Deckel wieder aufsetzen (**Abb. 14**)

## 5 ABNAHMEPRÜFUNG DER AUTOMATISIERUNG

Um höchste Sicherheit zu gewährleisten, sind dies die wichtigsten Schritte bei der Realisierung der Automatisierung. Die Abnahme kann auch als regelmäßige Überprüfung der Bestandteile des Automatismus verwendet werden.

**Die Abnahme der gesamten Anlage muss von erfahrenerm und qualifiziertem Fachpersonal ausgeführt werden**, das die erforderlichen Tests je nach vorhandenem Risiko vornimmt und die Einhaltung der Bestimmungen in Gesetzen, Vorschriften und Verordnungen zu überprüfen hat, insbesondere alle Anforderungen der Norm EN12445, welche die Testmethoden zur Überprüfung von Torautomatisierungen festlegt.

## 5.1 - Abnahme

Für jedes einzelne Element des Automatismus wie Schaltleisten, Photozellen, Not-Aus usw. ist eine spezielle Abnahmephase erforderlich. Für diese Vorrichtungen sind die Prozeduren in den jeweiligen Anleitungen auszuführen.

01. Prüfen, ob alle Angaben in der vorliegenden Anweisung und insbesondere die in Kapitel 1 genauestens eingehalten wurden.
02. Den Antrieb manuell entriegeln (**Abb. 7**).
03. Prüfen, ob es möglich ist, den Torflügel in Öffnung und Schließung mit einer Kraft nicht über 390 N (ca. 40 kg) manuell zu bewegen.
04. Den Antrieb manuell blockieren (**Abb. 11**).
05. Die Stromversorgung anschließen.
06. Die vorgesehenen Steuervorrichtungen verwenden, die Schließung, Öffnung und Stillstand des Tors testen und prüfen, ob es sich wie vorgesehen verhält.
07. Den korrekten Betrieb aller Sicherheitsvorrichtungen der Anlage überprüfen und prüfen, ob sich das Tor wie vorgesehen verhält.
08. Geben Sie einen Schließbefehl und überprüfen Sie die Aufprallkraft des Torflügels gegen den mechanischen Endanschlag. Versuchen Sie gegebenenfalls, den Druck zu entladen, um eine optimale Einstellung zu erzielen.
09. Falls die durch die Bewegung des Tors verursachten Gefahrensituationen durch Aufprallkraftbegrenzung beschränkt wurden, muss die Kraft nach den Vorschriften der Norm EN 12445 gemessen werden.

**Hinweis** – Der Antrieb besitzt keine Vorrichtungen zur Einstellung der Drehzahl: Diese wird von der Steuerung übernommen.

## 5.2 - Inbetriebnahme

Die Inbetriebnahme darf nur dann erfolgen, wenn alle Phasen der Abnahmeprüfung (Abschnitt 5.1) der Steuerungseinheit und der anderen vorhandenen Vorrichtungen positiv abgeschlossen wurden: siehe dazu die Bedienungsanleitung der Steuerung.

**WICHTIG** – Eine teilweise oder „vorübergehende“ Inbetriebsetzung ist verboten.

## 6 OPTIONALE ZUBEHÖRTEILE

Für das Produkt sind folgende optionale Zubehörteile vorgesehen:

ZUBEHÖRTEILE Version 230 V
PLA10
PLA11
ZUBEHÖRTEILE Version 24V
PLA10
PLA11
PS124

Siehe die Bedienungsanweisungen der einzelnen Produkte.

## 7 WARTUNG DES PRODUKTS

Damit das Sicherheitsniveau konstant bleibt und die maximale Dauer der gesamten Automatisierung gewährleistet werden kann, ist eine regelmäßige Wartung erforderlich. Diese muss unter genauester Einhaltung der im vorliegenden Handbuch verzeichneten Sicherheitsbestimmungen und der gültigen Gesetze und Vorschriften ausgeführt werden. Für den Antrieb ist eine programmierte Wartung maximal alle 6 Monate erforderlich.

01. Alle eventuellen elektrischen Versorgungsquellen abtrennen.
02. Den Verschleiß aller Materialien der Automatisierung überprüfen, insbesondere was Erosionen oder Roststellen an den tragenden Teilen betrifft; Teile, die keine ausreichende Garantie geben, müssen ersetzt werden.
03. Überprüfen, ob die Schraubverbindungen richtig festgezogen sind.
04. Den Verschleißgrad der beweglichen Teile überprüfen und eventuell die verschlissenen Teile austauschen.
05. Die elektrischen Versorgungsquellen wieder anschließen und alle in Kapitel 5 beschriebenen Überprüfungen ausführen.

Für die anderen in der Anlage vorhandenen Geräte siehe die dazugehörigen Bedienungsanleitungen.

## 8 ENTSORGUNG DES PRODUKTS

**Das vorliegende Produkt ist fester Bestandteil der Automation und muss daher zusammen mit dieser entsorgt werden.**

Die Entsorgungsarbeiten für das nicht mehr verwendbare Altgerät sind von qualifiziertem Personal auszuführen.

Dieses Produkt besteht aus verschiedenen Stoffen: Einige können recycelt werden, andere müssen entsorgt werden. Beachten Sie die Vorschriften Ihres Landes für die jeweiligen Recycling- und Entsorgungssysteme.

**Achtung!** – Bestimmte Teile des Produktes können Schadstoffe oder gefährliche Substanzen enthalten, die – falls sie in die Umwelt gelangen – schädliche Auswirkungen auf die Umwelt und die menschliche Gesundheit haben könnten.

Wie durch das nebenstehende Symbol veranschaulicht, ist es verboten, dieses Produkt zum Haushaltsmüll zu geben.



Halten Sie sich daher bitte an die Mülltrennung, die von den geltenden Vorschriften in Ihrem Land bzw. in Ihrer Gemeinde vorgesehen ist, oder geben Sie das Produkt an Ihren Verkäufer zurück, wenn sie ein gleichwertiges neues Produkt kaufen.

**Achtung!** – Die örtlichen Verordnungen können schwere Strafen im Fall einer widerrechtlichen Entsorgung dieses Produktes vorsehen.

**HINWEISE:** • Alle technischen Merkmale beziehen sich auf eine Umgebungstemperatur von 20°C (±5°C). • Nice S.p.a. behält sich das Recht vor, jederzeit als nötig betrachtete Änderungen am Produkt vorzunehmen, wobei Funktionalitäten und Einsatzzweck beibehalten werden.

MODELL	TOO4500	TOO4524	TOO3000	TOO3024
<b>Motorspannung [V]</b>	230	24	230	24
<b>Frequenz [Hz]</b>	50	DC	50	DC
<b>Max. Torflügelänge [m]</b>	4,5	4,5	3	3
<b>Gewicht des Torflügels [kg]</b>	250	250	300	300
<b>Schutzart IP</b>	54	54	54	54
<b>Betriebstemperatur [° C]</b>	von -20 bis +50	von -20 bis +50	von -20 bis +50	von -20 bis +50
<b>Motorgewicht [kg]</b>	6	5,5	6	5,5
<b>Geschwindigkeit [m/s]</b>	0.016	0.014	0.016	0.014
<b>Lauf [mm]</b>	500	500	400	400
<b>Kondensator [mF]</b>	7	-	7	-
<b>Nennaufnahme [A]</b>	1.1	1.1	1.1	1.1
<b>Maximale Aufnahme [A]</b>	1,5	5	1,5	5
<b>Aufgenommene Nennleistung [W]</b>	250	30	250	30
<b>Maximale aufgenommene Leistung [W]</b>	340	120	340	120
<b>Nennkraft [N]</b>	300	300	300	300
<b>Maximale Kraft [N]</b>	2000	1800	2000	1800
<b>Arbeitszyklen (Zyklen/Stunde)</b>	24	Dauerbetrieb	24	Dauerbetrieb
<b>Steuerungen</b>	A60	MC424L	A60	MC424L
<b>Abmessungen [mm]</b>	800 x 100 x 177 h	800 x 100 x 177 h	800 x 100 x 177 h	800 x 100 x 177 h

## EG-Konformitätserklärung und Erklärung für den Einbau einer unvollständigen Maschine Erklärung in Übereinstimmung der Richtlinien: 12004/108/EG (EMC); 2006/42/EG (MD) Anlage II, Teil B

**Hinweis** - Der Inhalt dieser Konformitätserklärung entspricht dem Inhalt der offiziellen Unterlagen, die sich im Firmensitz der Nice S.p.a. befinden, und insbesondere der vor dem Druck dieser Anleitung verfügbaren letzten Revision. Dieser Text wurde aus redaktionellen Gründen angepasst. Eine Kopie der Originalerklärung kann bei Nice S.p.a. (TV) angefordert werden.

**Nummer der Erklärung:** 507/TOO      **Überarbeitung:** 0      **Sprache:** DE  
**Herstellernamen:** NICE S.p.a.  
**Adresse:** Via Pezza Alta 13, 31046 Rustignè, Oderzo (TV) Italien  
**Für die Zusammenstellung der technischen Dokumentation autorisierte Person:** NICE S.p.a.  
**Produkttyp:** Teleskopmotor für Drehtore  
**Modell / Typ:** TOO3000, TOO3024, TOO4500, TOO4524  
**Zubehör:**

Der Unterzeichnende, Mauro Sordini erklärt in seiner Funktion als Chief Executive Officer unter eigener Verantwortung, dass die oben genannten Produkte den Vorschriften entsprechen, die in folgenden Richtlinien enthalten sind:

- RICHTLINIE 2004/108/EG DES EUROPÄISCHEN PARLAMENTS UND RATS vom 15. Dezember 2004 bezüglich der Annäherung der Gesetzgebungen der Mitgliedsstaaten, was die elektromagnetische Verträglichkeit betrifft und die Richtlinie 89/336/EWG aufhebt und zwar gemäß den folgenden harmonisierten Normen: EN 61000-6-2:2005, EN 61000-6-4:2007

Außerdem entspricht das Produkt folgender Richtlinie, entsprechend der vorgesehenen Anforderungen für die „unvollständige Maschinen“:

- Richtlinie 2006/42/EG DES EUROPÄISCHEN PARLAMENTS UND DES EUROPÄISCHEN RATS vom 17. Mai 2006 über Maschinen und zur Änderung der Richtlinie 95/16/EG (Neufassung) gemäß den folgenden harmonisierten Normen:
- Hiermit wird erklärt, dass die entsprechenden technischen Unterlagen in Übereinstimmung mit Anlage VII B der Richtlinie 2006/42/EG ausgefüllt wurden und folgende essenzielle Anforderungen eingehalten wurden: 1.1.1- 1.1.2- 1.1.3- 1.2.1-1.2.6- 1.5.1-1.5.2- 1.5.5- 1.5.6- 1.5.7- 1.5.8- 1.5.10- 1.5.11
- Der Hersteller verpflichtet sich, die Informationen über die „unvollständige Maschine“ auf Nachfrage an die nationalen Behörden weiterzuleiten, wobei die eigenen Rechte des geistigen Eigentums beibehalten werden.
- Wenn die „unvollständige Maschine“ in einem europäischen Land in Betrieb genommen wird, deren offizielle Sprache nicht der in dieser Erklärung entspricht, hat der Importeur die Pflicht, die entsprechende Übersetzung dieser Erklärung beizulegen.
- Wir weisen darauf hin, dass die „unvollständige Maschine“ nicht in Betrieb genommen werden darf, bis die Endmaschine, in der sie eingebaut wird, für konform erklärt wurde, entsprechend, wenn der Fall, den Vorschriften der Richtlinie 2006/42/EG.

Außerdem entspricht das Produkt folgenden Normen: EN 60335-1:2012; EN 60335-2-103:2003 +A1:2009

Das Produkt erfüllt, auf die anwendbaren Teile begrenzt, folgende Normen:  
 EN 13241-1:2003, EN 12445:2002, EN 12453:2002, EN 12978:2003

Oderzo, Freitag, 9. Mai 2014

  
 Ing. Mauro Sordini  
 (Chief Executive Officer)

## Spis treści

ZDJĘCIA .....	II - VII
<b>Rozdział 1 - ZALECENIA I OGÓLNE ŚRODKI OSTROŻNOŚCI</b>	
1.1 - Zalecenia dotyczące bezpieczeństwa .....	1
1.2 - Zalecenia dotyczące montażu .....	1
1.3 - Zalecenia dotyczące użytkowania .....	1
<b>Rozdział 2 - OPIS URZĄDZENIA I JEGO PRZEZNACZENIE .....</b>	<b>2</b>
<b>Rozdział 3 - MONTAŻ</b>	
3.1 - Kontrole wstępne przed montażem .....	2
3.2 - Montaż motoreduktora .....	2
3.3 - Ręczne odblokowywanie motoreduktora .....	2
3.4 - Ręczne blokowanie motoreduktora .....	2
<b>Rozdział 4 - POŁĄCZENIA ELEKTRYCZNE .....</b>	<b>2</b>
<b>Rozdział 5 - PRÓBA ODBIORCZA AUTOMATYKI</b>	
5.1 - Próba odbiorcza .....	2
5.2 - Wprowadzenie do użytku .....	3
<b>Rozdział 6 - URZĄDZENIA DODATKOWE .....</b>	<b>3</b>
<b>Rozdział 7 - KONSERWACJA PRODUKTU .....</b>	<b>3</b>
<b>Rozdział 8 - USUWANIE PRODUKTU .....</b>	<b>3</b>
<b>Rozdział 9 - DANE TECHNICZNE PRODUKTU .....</b>	<b>4</b>
<b>Deklaracja zgodności CE .....</b>	<b>4</b>
<b>Instrukcja obsługi (załącznik do wycięcia) .....</b>	<b>5</b>

### 1.1 - Zalecenia dotyczące bezpieczeństwa

- **UWAGA!** - Ważne zalecenia bezpieczeństwa. W celu zapewnienia bezpieczeństwa osób, należy postępować zgodnie ze wskazówkami, ponieważ niewłaściwa instalacja może spowodować poważne zranienia. Przed rozpoczęciem pracy, należy uważnie przeczytać niniejszą instrukcję; w razie wątpliwości, należy się zwrócić o pomoc do Serwisu Technicznego Nice.
- **UWAGA!** - Należy przechowywać instrukcję w celu ułatwienia ewentualnych przyszłych czynności konserwacyjnych i usuwania produktu.
- **UWAGA!** - Zgodnie z najnowszym prawodawstwem europejskim, wykonanie bramy automatycznej musi spełniać normy przewidziane w Dyrektywie 2006/42/WE. (Dyrektywa Maszyny) i normy EN 12445; EN 12453; EN 12635 i EN 13241-1 umożliwiające zadeklarowanie zgodności automatyki. W związku z tym, wszystkie czynności związane z montażem, podłączeniem, programowaniem i konserwacją urządzenia powinny być wykonywane wyłącznie przez wykwalifikowanego i kompetentnego technika, który ma obowiązek przestrzegania przepisów, norm, lokalnych rozporządzeń oraz wskazówek zawartych w niniejszej instrukcji.

### 1.2 - Ostrzeżenia na temat montażu

- Przed rozpoczęciem montażu, należy sprawdzić, czy niniejszy produkt nadaje się do automatyzacji wybranego rodzaju bramy (patrz rozdział 3 i 9). Jeżeli produkt nie jest odpowiedni, NIE należy wykonywać montażu.
- Wszelkie czynności montażowe i konserwacyjne urządzenia należy wykonywać po odłączeniu automatyki od zasilania elektrycznego. Ponadto, przed rozpoczęciem prac, należy przymocować do urządzenia odłączającego tabliczkę z napisem „UWAGA! PRACE KONSERWACYJNE W TOKU”.
- Podczas montażu, należy delikatnie obchodzić się z urządzeniem, chroniąc je przed zgnieceniem, uderzeniem, upadkiem lub kontaktem z jakiegokolwiek rodzaju płynami. Nie umieszczać urządzenia w pobliżu źródeł ciepła i nie wystawiać go na działanie otwartego ognia. Opisane powyżej sytuacje mogą doprowadzić do uszkodzenia urządzenia, być przyczyną nieprawidłowego działania lub spowodować zagrożenia. Jeśli doszłoby do którejś z powyżej opisanych sytuacji, należy natychmiast przerwać montaż i zwrócić się o pomoc do Serwisu Technicznego Nice.
- Nie wolno dokonywać zmian w żadnej części produktu. Niedozwolone działania mogą być przyczyną nieprawidłowego funkcjonowania. Producent zręka się wszelkiej odpowiedzialności za szkody wynikające z używania produktu modyfikowanego samowolnie.
- Jeżeli brama przeznaczona do zautomatyzowania posiada również drzwi dla pieszych, należy przygotować instalację z systemem kontrolnym, który uniemożliwi działanie silnika, gdy drzwi dla pieszych będą otwarte.
- Sprawdzić, czy nie występuje zagrożenie pociągnięcia w kierunku stałych elementów, kiedy skrzydło bramy znajduje się w pozycji maksymalnego otwarcia; w razie konieczności należy zabezpieczyć te elementy.
- Materiał opakowaniowy podlega utylizacji zgodnie z lokalnymi przepisami.

### 1.3 - Ostrzeżenia dotyczące użytkowania

- Urządzenie nie jest przeznaczone do użytku przez osoby (również dzieci), których możliwości fizyczne, czuciowe lub umysłowe są ograniczone. Z urządzenia nie mogą również korzystać osoby bez doświadczenia i stosownej wiedzy, chyba że wykonują to pod opieką osoby odpowiedzialnej za ich bezpieczeństwo oraz nadzorującej i instruującej je na temat użytkowania urządzenia.
- Dzieci znajdujące się w pobliżu automatyki muszą być nadzorowane przez dorosłych; należy się upewnić, że nie bawią się urządzeniem.
- Nie zezwalać dzieciom na zabawę stałymi urządzeniami sterującymi. Zdalne urządzenia sterujące należy przechowywać poza zasięgiem dzieci.

- Podczas wykonywania manewru, należy nadzorować automatykę i zadbać o to, aby inne osoby nie zbliżyły się do urządzenia, aż do czasu zakończenia czynności.
- Nie sterować automatyką, jeżeli w jej pobliżu znajdują się osoby wykonujące czynności takie, jak np. czyszczenie szyb; przed wykonaniem tych czynności należy odłączyć zasilanie elektryczne.
- Często sprawdzać automatykę w celu wykrycia ewentualnych oznak zużycia, uszkodzeń lub braku wyważenia. Nie używać automatyki, jeżeli wymaga ona regulacji lub naprawy; w celu rozwiązania problemów, należy się zwrócić wyłącznie do wyspecjalizowanego personelu technicznego.

## 2 OPIS URZĄDZENIA I JEGO PRZEZNACZENIE

Niniejszy produkt jest przeznaczony do automatyzacji bram skrzydłowych. **UWAGA! – Wszelkie inne użycie oraz wykorzystywanie produktu w warunkach otoczenia odmiennych, niż warunki przedstawione w niniejszym podręczniku, jest niezgodne z przeznaczeniem i zabronione!**

Jest to motoreduktor elektromechaniczny dostępny w dwóch wersjach: TO3000 / TO3024 i TO4500 / TO4524.

Posiada silnik na prąd stały 24 V lub prąd przemienny 220 V (zgodnie z wybranym modelem) i przekładnię ze śrubą dwustronną.

Motoreduktor jest zasilany przez zewnętrzną centralę sterującą, do której musi być podłączony.

W przypadku przerwania zasilania elektrycznego (black-out), możliwe jest ręczne poruszanie skrzydłami bramy, odblokowując motoreduktor (punkt 3.4).

## 3 MONTAŻ

### 3.1 - Kontrole wstępne przed montażem

**Uwaga! - Montaż silnika musi być wykonany przez wykwalifikowany personel, zgodnie z przepisami, normami i uregulowaniami prawnymi oraz według niniejszej instrukcji.**

Przed wykonaniem montażu:

01. Sprawdzić, czy strefa mocowania motoreduktora jest odpowiednia do jego gabarytów (**rys. 2**);
02. Sprawdzić prawidłowy ruch otwierania bramy i siłę nadawaną przez silnik; zależą one od pozycji mocowania uchwyty tylnej. W celu określenia maksymalnego kąta otwarcia skrzydła i siły silnika odpowiedniej do stosowanej instalacji, patrz **rys. 3**.
03. Określić przybliżoną pozycję instalacji dla każdego przewidzianego komponentu i najbardziej odpowiedni schemat połączeniowy.

Na **rys. 4** przedstawiono przykład instalacji automatyki wykonanej przy użyciu komponentów Nice:

- a - Motoreduktory elektromechaniczne
- b - Centrala sterująca
- c - Para fotokomórek
- d - Para mechanicznych wyłączników krańcowych (podczas Otwierania)
- e - Kolumnki do fotokomórek
- f - Lampa ostrzegawcza
- g - Przełącznik kluczykowy lub klawiatura cyfrowa
- h - Pionowy zamek elektryczny

### 3.2 - Montaż motoreduktora

#### OSTRZEŻENIA

- **Nieprawidłowy montaż może doprowadzić do poważnego uszkodzenia ciała osób wykonujących działania i użytkujących instalację.**
  - **Przed wykonaniem instalacji automatyki, patrz punkt 3.1.**
01. Określić pozycję mocowania uchwyty tylnej i przedniej (**rys. 3**)
  02. Przymocować uchwyt tylny zgodnie z odległościami instalacji (**rys. 3**)
  03. Przymocować motoreduktor na uchwycie tylnym (**rys. 5 / 6**)

04. Odblokować ręcznie motoreduktor (**rys. 7**)

05. Wyjąć całkowicie trzpień (**rys. 8 - a**);

06. Połączyć tymczasowo uchwyt przedni ze skrzydłem bramy (**fig. 8 - b**)

07. Sprawdzić, czy motoreduktor jest wyważony i następnie przymocować trzpień do uchwyty przedniego (**rys. 8 - c**);

08. (**rys. 9**) Sprawdzić ręcznie, czy:

- w pozycji maksymalnego otwarcia, brama zatrzyma się na mechanicznych wyłącznikach krańcowych
- ruch skrzydła jest prawidłowy

W razie konieczności, wykonać działania naprawcze, aż ruch stanie się zadowalający

09. Odczepić trzpień od uchwyty przedniego (**rys. 10 - a**) i przymocować uchwyt na stałe do skrzydła (**rys. 10 - b**)

10. Przymocować na stałe trzpień do uchwyty przedniego (**rys. 10 - c**)

11. Zablokować motoreduktor (**rys. 11**)

Powtórzyć działania dla obu motoreduktorów.

### 3.3 - Odblokować ręcznie motoreduktor (**rys. 7**)

01. Podnieść gumową zatyczkę (**rys. 7 - a**)

02. Włożyć dostarczony klucz odblokowujący i obracać go w kierunku zgodnym z ruchem wskazówek zegara o 90° (**rys. 7 - b**)

Powtórzyć działania dla obu motoreduktorów.

### 3.4 - Zablokować ręcznie motoreduktor (**rys. 11**)

01. Ustawić ręcznie skrzydło bramy w połowie skoku

02. Podnieść gumową zatyczkę (**rys. 11 - a**)

03. Włożyć klucz odblokowujący i obracać go w kierunku przeciwnym do kierunku wskazówek zegara o 90° (**rys. 11 - b**)

Powtórzyć działania dla obu motoreduktorów.

## 4 PODŁĄCZENIA ELEKTRYCZNE

#### UWAGA!

- **Nieprawidłowo wykonane podłączenie może powodować uszkodzenia lub sytuacje niebezpieczne; należy więc skrupulatnie przestrzegać podłączeń zalecanych w instrukcji.**
- **Wykonać połączenie z odłączonym zasilaniem elektrycznym.**

01. Zdjąć pokrywę z motoreduktora (**rys. 12 - a**)

02. Obłuzować dławik kablowy (**rys. 12 - b**) i włożyć kabel połączeniowy (**rys. 12 - c**)

03. Połączyć różne kable i kabel uziemienia w odpowiedniej pętli (**rys. 13**)

04. Zaciśnąć przepust kablowy i ponownie nałożyć pokrywę (**rys. 14**)

## 5 PRÓBA ODBIORCZA AUTOMATYKI

Jest to najważniejszy etap realizacji automatyki, który ma na celu zapewnienie maksymalnego bezpieczeństwa. Próba odbiorcza może być również stosowana jako okresowa kontrola urządzeń wchodzących w skład automatyki.

**Próby odbiorcze całego urządzenia muszą być przeprowadzone przez doświadczony i wykwalifikowany personel, który musi wykonać obowiązujące próby, zgodnie z istniejącymi zagrożeniami i z pełnym przestrzeganiem tego, co przewiduje prawo, normatywy i uregulowania, a w szczególności zgodnie z wszystkimi wymaganiami normy EN12445, która określa metody prób do kontroli automatyki dla bram.**

### 5.1 - Próba odbiorcza

Każdy pojedynczy element automatyki (listwy krawędziowe, fotokomórki, zatrzymanie awaryjne, itp.) wymaga specyficznej fazy odbioru; dla tych urządzeń należy wykonać procedury zamieszczone w odpowiednich instrukcjach.

01. Należy sprawdzić, czy zostały przestrzegane zalecenia zamieszczone w niniejszej instrukcji, w szczególności w rozdziale 1

- 02.** Odblokować ręcznie motoreduktor (rys. 7)
- 03.** Sprawdzić, czy możliwe jest ręczne poruszanie bramą podczas zamykania i otwierania, z siłą nie większą niż 390 N (około 40 kg).
- 04.** Zablokować ręcznie motoreduktor (rys. 11)
- 05.** Podłączyć zasilanie elektryczne
- 06.** Wykorzystując przewidziane urządzenia sterowania lub zatrzymania, należy wykonać próby otwarcia, zamknięcia i zatrzymania bramy i sprawdzić, czy jej zachowanie jest zgodne z przewidzianym.
- 07.** Sprawdzić prawidłowe działanie wszystkich urządzeń zabezpieczających znajdujących się w instalacji i sprawdzić, czy brama zachowuje się w przewidziany sposób.
- 08.** Sterować manewrem zamykania i sprawdzić siłę uderzenia skrzydła o zderzak mechanicznego wyłącznika krańcowego. W razie konieczności, w celu umożliwienia lepszej regulacji, należy rozładować ciśnienie.
- 09.** Jeżeli sytuacjom niebezpiecznym powodowanym przez ruch skrzydeł zapobiega się poprzez ograniczenie siły uderzenia, należy przeprowadzić pomiar siły zgodnie z wymaganiami normy EN 12445.

**Uwaga** – Motoreduktor nie posiada urządzeń do regulacji momentu: za tę regulację odpowiada centrala sterująca.

## 5.2 - Wprowadzenie do użytku

Wprowadzenie do użytku może nastąpić wyłącznie po wykonaniu, z pozytywnym wynikiem, wszystkich faz prób odbiorczych motoreduktora (punkt 5.1) i innych obecnych urządzeń: w celu ich wykonania należy się odnieść do instrukcji centrali sterującej.

**WAŻNE - Zabrania się częściowego wprowadzania do użytku lub wprowadzania do użytku w sytuacjach „prowizorycznych”.**

## 6 URZĄDZENIA DODATKOWE

Dla produktu dostępne są następujące akcesoria opcjonalne:

URZĄDZENIA DODATKOWE wersja 230V
PLA10
PLA11
URZĄDZENIA DODATKOWE wersja 24V
PLA10
PLA11
PS124

Należy się zapoznać z instrukcjami pojedynczych produktów.

## 7 KONSERWACJA PRODUKTU

W celu utrzymania stałego poziomu bezpieczeństwa i zapewnienia maksymalnego czasu użytkowania całej automatyki niezbędna jest regularna konserwacja, która musi być wykonywana ściśle według zasad bezpieczeństwa opisanych w niniejszej instrukcji oraz w zgodzie z obowiązującymi przepisami i normami.

Motoreduktor wymaga zaprogramowanej konserwacji przynajmniej raz na 6 miesięcy.

- 01.** Odłączyć wszelkie źródła zasilania elektrycznego.
- 02.** Sprawdzić stan zużycia wszystkich materiałów wchodzących w skład automatyki, ze szczególnym uwzględnieniem zjawiska korozji lub oksydacji elementów konstrukcyjnych; wymienić elementy, które nie zapewniają wystarczających gwarancji.
- 03.** Sprawdzić, czy połączenia śrubowe są odpowiednio dokręcone.
- 04.** Sprawdzić stan zużycia części w ruchu i, w razie konieczności, wymienić zużyte części.
- 05.** Ponownie podłączyć źródła zasilania elektrycznego i wykonać próby i kontrole przewidziane w rozdziale 5.

W odniesieniu do innych urządzeń obecnych w instalacji, należy się zapoznać z odpowiednimi instrukcjami.

## 8 USUWANIE PRODUKTU

**Niniejszy produkt stanowi integralną część systemu automatyki, należy go zatem usuwać razem z nim.**

Po upływie okresu żywotności tego produktu, prace demontażowe powinny zostać wykonane przez wykwalifikowany personel.

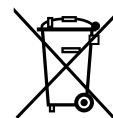
Niniejszy produkt składa się z różnego rodzaju materiałów: niektóre z nich mogą zostać poddane recyklingowi, inne powinny zostać usunięte. Należy sprawdzić, jakie systemy recyklingu i usuwania odpadów są przewidziane przepisami obowiązującymi na terytorium państwa użytkownika.

**Uwaga!** – niektóre części produktu mogą zawierać substancję szkodliwą lub niebezpieczną, które pozostawione w środowisku, mogłyby mieć szkodliwy wpływ na środowisko i zdrowie ludzi.

Umieszczony obok symbol zabrania wyrzucania niniejszego produktu razem z odpadami domowymi.

W celu usunięcia produktu, należy przeprowadzić, zgodnie z lokalnie obowiązującymi przepisami, zbiórkę selektywną lub zwrócić produkt do sprzedawcy w chwili zakupu nowego, równoważnego produktu.

**Uwaga!** – lokalne przepisy mogą przewidywać poważne sankcje w przypadku samodzielnej utylizacji tego produktu.



**OSTRZEŻENIA:** • Wszystkie podane parametry techniczne odnoszą się do temperatury otoczenia równej 20°C (± 5°C). • Firma Nice S.p.a. zastrzega sobie prawo do wprowadzenia w dowolnej chwili zmian do urządzenia według własnego uznania, zachowując jednakże to samo zastosowanie i przeznaczenie.

MODEL	TOO4500	TOO4524	TOO3000	TOO3024
Napięcie silnika [V]	230	24	230	24
Częstotliwość [Hz]	50	DC	50	DC
Maks. długość skrzydła [m]	4,5	4,5	3	3
Maks. waga skrzydła [kg]	250	250	300	300
Stopień ochrony IP	54	54	54	54
Temperatura funkcjonowania [C°]	od -20 do +50	od -20 do +50	od -20 do +50	od -20 do +50
Masa silnika [kg]	6	5,5	6	5,5
Prędkość [m/s]	0.016	0.014	0.016	0.014
Skok [mm]	500	500	400	400
Kondensator [mF]	7	-	7	-
Nominalny pobór prądu [A]	1.1	1.1	1.1	1.1
Maksymalny pobór prądu [A]	1,5	5	1,5	5
Nominalny pobór mocy [W]	250	30	250	30
Maksymalny pobór mocy [W]	340	120	340	120
Siła nominalna [N]	300	300	300	300
Siła maksymalna [N]	2.000	1.800	2.000	1.800
Cykle robocze (cykle/godz.)	24	ciągły	24	ciągły
Centrale sterujące	A60	MC424L	A60	MC424L
Wymiary [mm]	800 x 100 x 177 h	800 x 100 x 177 h	800 x 100 x 177 h	800 x 100 x 177 h

**Deklaracja zgodności CE i deklaracja włączenia maszyny nieukończonej**  
**Deklaracja zgodna z Dyrektywami: 12004/108/WE (EMC); 2006/42/WE (MD) załącznik II, część B**

**Uwaga** - Zawartość niniejszej deklaracji zgodności odpowiada oświadczeniom znajdującym się w oficjalnym dokumencie złożonym w siedzibie firmy Nice S.p.a., w szczególności ostatnim zmianom dostępnym przed wydrukowaniem niniejszej instrukcji. Niniejszy tekst został dostosowany w celach wydawniczych. Kopię oryginalnej deklaracji można uzyskać w siedzibie spółki Nice S.p.a. (TV) I.

**Numer deklaracji:** 507/TOO      **Wydanie:** 0      **Język:** PL  
**Nazwa producenta:** NICE s.p.a.  
**Adres:** Via Pezza Alta N°13, 31046 Rustignè di Oderzo (TV) Italia  
**Osoba upoważniona do sporządzenia dokumentacji technicznej:** NICE s.p.a.  
**Typ produktu:** Silnik teleskopowy do bram skrzydłowych  
**Model / Typ:** TOO3000, TOO3024, TOO4500, TOO4524  
**Urządzenia dodatkowe:**

Ja, niżej podpisany Mauro Sordini, jako Chief Executive Officer deklaruję na własną odpowiedzialność, że wyżej wymienione produkty są zgodne z następującymi dyrektywami:

- Dyrektywa PARLAMENTU EUROPEJSKIEGO I RADY NR 2004/108/WE z dnia 15 grudnia 2004 roku w sprawie ujednoczenia prawodawstwa państw członkowskich w zakresie kompatybilności elektromagnetycznej, znosząca dyrektywę 89/336/EWG, zgodnie z następującymi normami zharmonizowanymi: EN 61000-6-2:2005, EN 61000-6-4:2007

Ponadto, produkt jest zgodny z następującą dyrektywą w zakresie wymagań dotyczących maszyn nieukończonych:

- Dyrektywa 2006/42/WE PARLAMENTU EUROPEJSKIEGO I RADY z dnia 17 maja 2006 roku, dotycząca maszyn, zmieniająca dyrektywę 95/16/WE (przekształcenie), zgodnie z poniższymi normami zharmonizowanymi:
- Niżej podpisany deklaruje, że stosowna dokumentacja techniczna została sporządzona zgodnie z załącznikiem VII B dyrektywy 2006/42/WE oraz, że spełnione zostały następujące wymagania podstawowe: 1.1.1- 1.1.2- 1.1.3- 1.2.1-1.2.6- 1.5.1-1.5.2- 1.5.5- 1.5.6- 1.5.7- 1.5.8- 1.5.10- 1.5.11
- Producent zobowiązuje się do przekazania władzom krajowym, w odpowiedzi na uzasadnione zapytanie, informacji dotyczących maszyny nieukończonej, zachowując całkowicie swoje prawa do własności intelektualnej.
- Jeżeli maszyna nieukończona zostanie oddana do eksploatacji w kraju europejskim, którego język urzędowy jest inny niż język niniejszej deklaracji, importer ma obowiązek dołączyć do niniejszej deklaracji stosowne tłumaczenie.
- Ostrzegamy, że maszyny nieukończonej nie można przekazywać do eksploatacji do czasu, kiedy maszyna końcowa, do której zostanie włączona, nie uzyska deklaracji zgodności (jeżeli wymagana) z założeniami dyrektywy 2006/42/WE.

Ponadto, produkt jest zgodny z następującymi normami: EN 60335-1:2012 ; EN 60335-2-103:2003 +A1:2009

Produkt jest zgodny z następującymi normami (w zakresie mających zastosowanie części):  
 EN 13241-1:2003, EN 12445:2002, EN 12453:2002, EN 12978:2003

Oderzo, 9 maja 2014

Inż. **Mauro Sordini**  
 (Chief Executive Officer)

# Inhoudsopgave

AFBEELDINGEN ..... II - VII

**Hoofdstuk 1 - ALGEMENE AANBEVELINGEN EN VOORZORGSMAATREGELEN**

1.1 - Veiligheidswaarschuwingen ..... 1

1.2 - Waarschuwingen met betrekking tot de installatie ..... 1

1.3 - Waarschuwingen met betrekking tot het gebruik ..... 1

**Hoofdstuk 2 - BESCHRIJVING VAN HET PRODUCT EN GEBRUIKSBESTEMMING** ..... 2

**Hoofdstuk 3 - INSTALLATIE**

3.1 - Controles voorafgaand aan de installatie ..... 2

3.2 - Installatie van de reductiemotor ..... 2

3.3 - Handmatig ontgrendelen van de reductiemotor ..... 2

3.4 - Handmatig vergrendelen van de reductiemotor ..... 2

**Hoofdstuk 4 - ELEKTRISCHE AANSLUITINGEN** ..... 2

**Hoofdstuk 5 - OPLEVERING VAN DE AUTOMATISERING**

5.1 - Oplevering ..... 3

5.2 - Inbedrijfstelling ..... 3

**Hoofdstuk 6 - OPTIONELE ACCESSOIRES** ..... 3

**Hoofdstuk 7 - ONDERHOUD VAN HET PRODUCT** ..... 3

**Hoofdstuk 8 - AFDANKING VAN HET PRODUCT** ..... 3

**Hoofdstuk 9 - TECHNISCHE KENMERKEN VAN HET PRODUCT** ..... 4

**EG-verklaring van overeenstemming** ..... 4

**Gebruikshandleiding (uitscheurbare bijlage)** ..... 5

## 1.1 - Veiligheidswaarschuwingen

- **LET OP!** - Belangrijke veiligheidsinstructies. Voor de veiligheid van de personen is het belangrijk dat deze instructies worden opgevolgd, want een onaangepaste installatie kan ernstige verwondingen veroorzaken. Lees de aanwijzingen aandachtig door voordat u met de werkzaamheden begint; neem bij twijfel contact op met de klantenservice van Nice.
- **LET OP!** - Bewaar deze aanwijzingen voor eventuele toekomstige onderhoudswerkzaamheden of voor de verwerking van het afgedankte product als afval.
- **LET OP!** - Volgens de meest recente Europese wetgeving moet men bij de realisatie van een automatische poort of een automatisch hek de normen voorzien in de Europese Richtlijn 2006/42/EG (Machinerichtlijn) naleven, en in het bijzonder de normen EN 12445; EN 12453; EN 12635 en EN 13241-1, die het mogelijk maken om de vermoedelijke conformiteit van de automatisering te verklaren. Om bovengenoemde redenen mogen alle werkzaamheden met betrekking tot installatie, aansluiting, programmering en onderhoud van het product alleen worden uitgevoerd door een gekwalificeerd en bevoegd technicus, met inachtneming van de geldende wetten, normen, plaatselijke verordeningen en de instructies in deze handleiding.

## 1.2 - Waarschuwingen met betrekking tot de installatie

- Voordat u met de installatie begint, controleert u of dit product geschikt is voor het automatiseren van uw hek (zie hoofdstuk 3 en 9). Als het niet geschikt is, mag u NIET overgaan tot de installatie.
- Alle werkzaamheden met betrekking tot de installatie en het onderhoud van het product moeten worden uitgevoerd terwijl de automatisering niet aan het elektriciteitsnet is aangesloten. Alvorens met de werkzaamheden te starten, moet uit voorzorg op de ontkopplingsinrichting een bord worden bevestigd met de tekst "LET OP! ONDERHOUD IN UITVOERING".
- Behandel het product tijdens de installatie met zorg en voorkom dat het wordt geplet, dat er tegen wordt gestoten, dat het valt of dat het in aanraking komt met vloeistoffen van welke aard ook. Zet het product niet in de buurt van warmtebronnen en stel het niet bloot aan open vuur. Hierdoor kan het beschadigd worden, waardoor storingen of gevaarlijke situaties kunnen ontstaan. Als dit mocht gebeuren, stopt u de installatie onmiddellijk en wendt u zich tot de klantendienst van Nice.
- Wijzig geen enkel deel van het product. Niet-toegestane handelingen zullen slechts storingen in de werking veroorzaken. De fabrikant aanvaardt geen aansprakelijkheid voor schade die het gevolg is van op willekeurige wijze gewijzigde inrichtingen.
- Als het te automatiseren hek van een voetgangersdeur is voorzien, moet de installatie een controlesysteem krijgen, dat de werking van de motor blokkeert als de voetgangersdeur open is.
- Verzeker u ervan dat er nergens iets bekneld kan komen te zitten tussen vaste onderdelen, wanneer de vleugel van het hek zich in de maximale stand van Openen bevindt; zorg zo nodig voor bescherming van dergelijke onderdelen.
- Het verpakkingsmateriaal van het product moet conform de plaatselijke verordeningen worden afgedankt.

## 1.3 - Waarschuwingen met betrekking tot het gebruik

- Het product is niet bestemd voor gebruik door personen (inclusief kinderen) met lichamelijke, zintuiglijke of geestelijke beperkingen of met gebrek aan ervaring of kennis, tenzij zij dankzij de tussenkomst van iemand die de verantwoordelijkheid over hun veiligheid draagt, kunnen profiteren van toezicht of instructies met betrekking tot het gebruik van het product.
- Houd toezicht op kinderen om ervoor te zorgen dat ze niet met de automatisering spelen.
- Laat kinderen niet met de vaste bedieningen spelen. Houd de draagbare (afstands)bedieningen buiten bereik van kinderen.



- Controleer de automatisering tijdens het uitvoeren van het manoeuvre en houd personen op enige afstand tot het voltooid is.
- Bedien de automatisering niet wanneer er in de buurt personen bepaalde werkzaamheden uitvoeren zoals ramen wassen; koppel de elektrische voeding los alvorens deze werkzaamheden te laten uitvoeren.
- Controleer de automatisering regelmatig om eventuele sporen van slijtage, schade of onevenwicht op te sporen. Gebruik de automatisering niet als deze moet worden afgesteld of gerepareerd; laat het verhelpen van deze problemen uitsluitend over aan gespecialiseerd technisch personeel.

## 2 BESCHRIJVING VAN HET PRODUCT EN GEBRUIKSBESTEMMING

Dit product is bestemd voor de automatisering van hekken met draai-vleugels. **LET OP! – Elk ander gebruik dan in deze handleiding is beschreven of dat plaatsvindt in andere omgevingscondities dan in deze handleiding worden beschreven, moet als oneigenlijk en verboden worden beschouwd!**

Deze elektromechanische reductiemotor is voorzien in twee versies: TO3000 / TO3024 en TO4500 / TO4524.

Hij is uitgerust met een motor die werkt op 24 V gelijkstroom of op 220 V wisselstroom (afhankelijk van het gekozen model) en van een overbrenging met wormschroef.

De reductiemotor wordt gevoed via de externe besturingseenheid waarop hij moet worden aangesloten.

In geval van een stroomonderbreking (black-out) is het mogelijk om de vleugels van het hek handmatig in beweging te brengen door de reductiemotor te ontgrendelen (paragraaf 3.4).

## 3 INSTALLATIE

### 3.1 - Controles ter voorbereiding van de installatie

**Let op! - De installatie van de motor dient door gekwalificeerd personeel uitgevoerd te worden, met inachtneming van de wetten, voorschriften en regels en van wat in deze aanwijzingen staat.**

Alvorens de installatie uit te voeren:

01. Controleer de plaats waar de reductiemotor wordt bevestigd: deze moet compatibel zijn met de ruimte die deze laatste inneemt (afb. 2).
02. Controleer of het hek correct opengaat en controleer de kracht die de motor produceert: dit alles is afhankelijk van de bevestigingsplaats van de achterste beugel. Om de maximale openingshoek van de vleugel en de aangepaste kracht van de motor voor de specifieke installatie te definiëren: zie **afb. 3**.
03. Bepaal de geraamde installatiepositie voor elk component dat in de installatie is voorzien, alsook het meest aangewezen aansluitingsschema.

In **afb. 4** wordt een voorbeeld van een typische automatiseringsinstallatie met Nice-componenten weergegeven:

- a - Elektromechanische reductiemotoren
- b - Besturingseenheid
- c - Koppel fotocellen
- d - Koppel mechanische eindaanslagen (bij opening)
- e - Palen voor fotocellen
- f - Knipperende indicator
- g - Sleutelschakelaar of digitaal toetsenbord
- h - Verticaal elektrisch slot

### 3.2 - Installatie van de reductiemotor

#### WAARSCHUWINGEN

- Een onjuiste installatie kan ernstig letsel veroorzaken bij de persoon die de werkzaamheden uitvoert en bij personen die gebruikmaken van de installatie.
- Alvorens de installatie van de automatisering uit te voeren: zie paragraaf 3.1.

01. Identificeer de bevestigingspositie van de achterste en voorste beugel (**afb. 3**).
  02. Bevestig de achterste beugel volgens de installatiewaarden (**afb. 3**).
  03. Bevestig de reductiemotor op de achterste beugel (**afb. 5 / 6**).
  04. Ontgrendel de reductiemotor handmatig (**afb. 7**).
  05. Haal de stang er volledig uit (**afb. 8 - a**).
  06. Assembleer de voorste beugel voorlopig aan de vleugel van het hek (**afb. 8 - b**).
  07. Controleer of de reductiemotor afgestemd is en bevestig de stang vervolgens aan de voorste beugel (**afb. 8 - c**).
  08. (**afb. 9**) Controleer het volgende handmatig:
    - Bij maximale opening sluit het hek tot aan de mechanische eindaanslagen.
    - De beweging van de vleugel is geregeld en vrij van wrijving. Eventueel moet u een correctie uitvoeren totdat de beweging een bevredigend resultaat levert.
  09. Maak de stang los van de voorste beugel (**afb. 10 - a**) en bevestig deze laatste definitief aan de vleugel (**afb. 10 - b**).
  10. Bevestig de stang definitief aan de voorste beugel (**afb. 10 - c**).
  11. Vergrendel de reductiemotor (**afb. 11**).
- Herhaal deze handelingen voor de beide reductiemotoren.

### 3.3 - Handmatig ontgrendelen van de reductiemotor (afb. 7)

01. Til de rubberen dop op (**afb. 7 - a**).
02. Voer de meegeleverde ontgrendelings sleutel in en verdraai hem 90° met de wijzers van de klok mee (**afb. 7 - b**).

Herhaal deze handelingen voor de beide reductiemotoren.

### 3.4 - Handmatig vergrendelen van de reductiemotor (afb. 11)

01. Positioneer de vleugel van het hek handmatig op de helft van zijn traject.
02. Til de rubberen dop op (**afb. 11 - a**).
03. Voer de ontgrendelings sleutel in en verdraai hem 90° tegen de wijzers van de klok in (**afb. 11 - b**).

Herhaal deze handelingen voor de beide reductiemotoren.

## 4 ELEKTRISCHE AANSLUITINGEN

### LET OP!

- Een verkeerde aansluiting kan storingen of gevaarlijke situaties veroorzaken; u dient daarom de aangegeven aansluitingen nauwgezet aan te houden.
- Wanneer u de aansluitingen uitvoert, moet de elektrische voeding losgekoppeld zijn.

01. Verwijder de kap van de reductiemotor (**afb. 12 - a**).
02. Maak de kabelgeleider los (**afb. 12 - b**) en voeg de aansluitkabel in (**afb. 12 - c**).
03. Verzamel de verschillende kabels en de aardingskabel in het daartoe voorziene oogje (**afb. 13**).
04. Span de kabelklem aan en plaats de kap terug (**afb. 14**).

## 5 OPLEVERING VAN DE AUTOMATISERING

Dit is de belangrijkste fase bij de realisatie van de automatisering om maximale veiligheid te garanderen. De oplevering kan ook als periodieke controle voor de verschillende inrichtingen van de automatisering worden gebruikt.

**De oplevering van de volledige installatie moet door vakbekwaam en deskundig personeel worden uitgevoerd.** Zij moeten ook bepalen welke tests in functie van de bestaande risico's noodzakelijk zijn en controleren of de wettelijke voorschriften, regelgevingen en regels en in het bijzonder alle vereisten van norm EN 12445, waarin de testmethodes voor de controle van automatiseringen voor hekken worden bepaald, in acht genomen zijn.

## 5.1 - Oplevering

Voor elk afzonderlijk onderdeel van de automatisering (contactlijsten, fotocellen, noodstop etc.) is een specifieke opleveringsfase vereist; voor deze inrichtingen zullen de procedures uit de desbetreffende instructiehandleidingen gevolgd moeten worden.

- 01.** Controleer of de voorschriften in deze handleiding en in het bijzonder die vervat in hoofdstuk 1 strikt in acht zijn genomen.
- 02.** Ontgrendel de reductiemotor handmatig (**afb. 7**).
- 03.** Controleer of het mogelijk is om de vleugel handmatig te openen en te sluiten met een kracht die niet groter is dan 390 N (ongeveer 40 kg).
- 04.** Vergrendel de reductiemotor handmatig (**afb. 11**).
- 05.** Sluit de elektrische voeding aan.
- 06.** Voer met behulp van de voorziene bedienings- of uitschakelinrichtingen tests uit voor het sluiten, openen en tot stilstand brengen van het hek en controleer of de manoeuvres worden uitgevoerd zoals voorzien.
- 07.** Controleer of alle veiligheidsinrichtingen van de installatie goed werken en verifieer of het gedrag van het hek overeenstemt met wat voorzien is.
- 08.** Voer een sluitmanoeuvre uit en controleer de kracht waarmee de vleugel tegen de stop van de mechanische eindaanslag botst. Indien nodig, probeert u de druk te verminderen om een betere afstelling te krijgen.
- 09.** Als de gevaarlijke situaties veroorzaakt door de beweging van de vleugel zijn weggenomen door de sluitkracht te beperken, moet de kracht worden gemeten zoals bepaald door de norm EN 12445.

**Opmerking** – De reductiemotor heeft geen inrichtingen voor regeling van het koppel: deze regeling behoort tot de taken van de besturingseenheid.

## 5.2 - Inbedrijfstelling

De inbedrijfstelling kan alleen plaatsvinden nadat alle fasen van de oplevering van de reductiemotor (paragraaf 5.1) en de andere aanwezige inrichtingen met succes zijn afgesloten: voor deze uitvoering verwijzen wij naar de instructiehandleiding van de besturingseenheid.

**BELANGRIJK – Het is verboden om de installatie gedeeltelijk of onder “provisorische” omstandigheden te laten werken.**

## 6 OPTIONELE ACCESSOIRES

Voor het product zijn de volgende optionele accessoires voorzien:

<b>ACCESSOIRES versie 230 V</b>
PLA10
PLA11
<b>ACCESSOIRES versie 24 V</b>
PLA10
PLA11
PS124

Zie de instructiehandleidingen van de individuele producten.

## 7 ONDERHOUD VAN HET PRODUCT

Om de veiligheid op een constant niveau te houden en een zo lang mogelijke levensduur van de volledige automatisering te waarborgen, is regelmatig onderhoud vereist. Dit onderhoud moet worden uitgevoerd met volledige inachtneming van de veiligheidsvoorschriften in deze handleiding en volgens de geldende wettelijke voorschriften en regelgevingen.

Voor de reductiemotor moet een onderhoud worden gepland binnen maximaal 6 maanden.

- 01.** Koppel alle elektrische voedingsbronnen af.
- 02.** Controleer de mate van slijtage bij alle onderdelen van de automatisering, met bijzondere aandacht voor afslijting en oxidatie van de structurele onderdelen. Vervang eventueel de onderdelen die onvoldoende garantie bieden.
- 03.** Controleer of de schroefverbindingen correct aangespannen zijn.
- 04.** Controleer de mate van slijtage bij de bewegende onderdelen en vervang eventueel de versleten onderdelen.
- 05.** Sluit de elektrische voedingsbronnen weer aan en voer alle tests en controles uit die voorzien zijn in hoofdstuk 5.

Voor de andere inrichtingen die in de installatie aanwezig zijn, verwijzen wij naar de specifieke instructiehandleidingen.

## 8 AFDANKING VAN HET PRODUCT

**Dit product maakt integraal deel uit van de automatisering en moet samen met de automatisering worden afgedankt.**

Wanneer de levensduur van het product ten einde is, dienen de ontmantelingswerkzaamheden door gekwalificeerde technici te worden uitgevoerd.

Dit product bestaat uit verschillende soorten materialen: sommige zijn recyclebaar, andere moeten verwerkt worden. Controleer de recycle- of afvalverwerkingssystemen die voorzien zijn in de voor uw regio geldende voorschriften.

**Let op!** – Bepaalde onderdelen van het product kunnen verontreinigende of gevaarlijke stoffen bevatten die bij aanraking met het milieu schadelijke gevolgen voor het milieu of de volksgezondheid kunnen hebben.

Zoals door het symbool hiernaast wordt aangegeven, is het verboden dit product met het huishoudelijk afval weg te gooien.



Pas gescheiden afvalinzameling voor afdanking toe, volgens de methodes voorzien in de voor uw regio geldende voorschriften, of lever het product weer in bij de verkoper op het moment dat u een nieuw gelijksoortig product aanschaft.

**Let op!** – De plaatselijke regelgeving kan in zware straffen voorzien in geval van illegale dumping van dit product.

**WAARSCHUWINGEN:** • Alle vermelde technische gegevens hebben betrekking op een omgevingstemperatuur van 20°C (± 5°C). • Nice S.p.A. behoudt zich het recht voor om, op elk moment dat dit noodzakelijk wordt geacht, wijzigingen aan het product aan te brengen, waarbij hoe dan ook de gebruiksbestemming en de functionaliteit ervan gelijk blijven.

MODEL	TOO4500	TOO4524	TOO3000	TOO3024
<b>Motorspanning [V]</b>	230	24	230	24
<b>Frequentie [Hz]</b>	50	DC	50	DC
<b>Max. vleugellengte [m]</b>	4,5	4,5	3	3
<b>Max. vleugelgewicht [kg]</b>	250	250	300	300
<b>Beschermingsgraad IP</b>	54	54	54	54
<b>Bedrijfstemperatuur [C°]</b>	van -20 tot +50	van -20 tot +50	van -20 tot +50	van -20 tot +50
<b>Gewicht van de motor [kg]</b>	6	5,5	6	5,5
<b>Snelheid [m/s]</b>	0.016	0.014	0.016	0.014
<b>Baan [mm]</b>	500	500	400	400
<b>Condensator [mF]</b>	7	-	7	-
<b>Nominaal opgenomen stroom [A]</b>	1.1	1.1	1.1	1.1
<b>Max. opgenomen stroom [A]</b>	1,5	5	1,5	5
<b>Nominaal opgenomen vermogen [W]</b>	250	30	250	30
<b>Max. opgenomen vermogen [W]</b>	340	120	340	120
<b>Nominale kracht [N]</b>	300	300	300	300
<b>Max. kracht [N]</b>	2000	1800	2000	1800
<b>Arbeidscycli (cycli/uur)</b>	24	continu	24	continu
<b>Besturingseenheden</b>	A60	MC424L	A60	MC424L
<b>Afmetingen [mm]</b>	800 x 100 x 177 h	800 x 100 x 177 h	800 x 100 x 177 h	800 x 100 x 177 h

## EG-verklaring van overeenstemming en inbouwverklaring betreffende 'niet-voltooid machine'

Verklaring conform de richtlijnen: 12004/108/EG (EMC); 2006/42/EG (MD) bijlage II, deel B

**Opmerking** - De inhoud van deze verklaring stemt overeen met hetgeen verklaard is in het officiële document dat is neergelegd bij de vestiging van Nice S.p.A., en in het bijzonder met de laatste revisie hiervan die vóór het afdrukken van deze handleiding beschikbaar was. De onderhavige tekst werd om redactionele redenen aangepast. Een kopie van de originele verklaring kan worden aangevraagd bij Nice S.p.A. (TV) I.

**Nummer verklaring:** 507/TOO

**Revisie:** 0

**Taal:** NL

**Naam fabrikant:** NICE S.p.A.

**Adres:** Via Pezza Alta nr. 13, 31046 Rustignè di Oderzo (TV) Italië

**Gemachtigde voor de samenstelling van de technische documentatie:** NICE S.p.A.

**Producttype:** Telescopische motor voor vleugelhekken

**Model/type:** TOO3000, TOO3024, TOO4500, TOO4524

**Uitrustingen:**

Ondergetekende Mauro Sordini verklaart als Chief Executive Officer onder zijn verantwoordelijkheid dat de bovengenoemde producten voldoen aan de voorschriften van de volgende richtlijnen:

- RICHTLIJN 2004/108/EG VAN HET EUROPEES PARLEMENT EN DE RAAD van 15 december 2004 betreffende de onderlinge aanpassing van de wetgevingen van de lidstaten inzake elektromagnetische compatibiliteit en tot intrekking van Richtlijn 89/336/EEG, op basis van de volgende geharmoniseerde normen: EN 61000-6-2:2005, EN 61000-6-4:2007

Bovendien voldoet het product aan de onderstaande richtlijn volgens de voor 'niet-voltooid machines' geldende vereisten:

- Richtlijn 2006/42/EG VAN HET EUROPEES PARLEMENT EN VAN DE RAAD van 17 mei 2006 betreffende machines en tot wijziging van de Richtlijn 95/16/EG (herschikking), volgens de onderstaande geharmoniseerde normen:
- Hierbij wordt verklaard dat de relevante technische documentatie is samengesteld volgens de aanwijzingen in bijlage VII B van de Richtlijn 2006/42/EG en dat daarbij aan de navolgende verplichte eisen is voldaan: 1.1.1- 1.1.2- 1.1.3- 1.2.1-1.2.6- 1.5.1-1.5.2- 1.5.5- 1.5.6- 1.5.7- 1.5.8- 1.5.10- 1.5.11
- De fabrikant zal zorgdragen voor de overdracht van informatie betreffende de 'niet-voltooid machine', op grond verzoek van de nationale wetgevende instanties, zonder daarbij schade te doen toekomen aan zijn eigen intellectueel eigendomsrecht.
- Indien de 'niet-voltooid machine' in gebruik wordt genomen in een land waar officieel een andere taal wordt gesproken dan de taal waarin deze verklaring is opgesteld, is de importeur verplicht de vertaling van de desbetreffende verklaring toe te voegen.
- Het is niet toegestaan de 'niet-voltooid machine' in gebruik te nemen voordat de uiteindelijke machine waarin zij zal worden ingebouwd, in overeenstemming wordt verklaard met de bepalingen van de Richtlijn 2006/42/EG, waar toepasselijk.

Bovendien voldoet het product aan de hierna volgende normen: EN 60335-1:2012; EN 60335-2-103:2003 +A1:2009

Het product voldoet, waar van toepassing, aan de hierna volgende normen:

EN 13241-1:2003, EN 12445:2002, EN 12453:2002, EN 12978:2003

Oderzo, vrijdag 9 mei 2014

Ing. Mauro Sordini  
(Chief Executive Officer)

# Operation manual

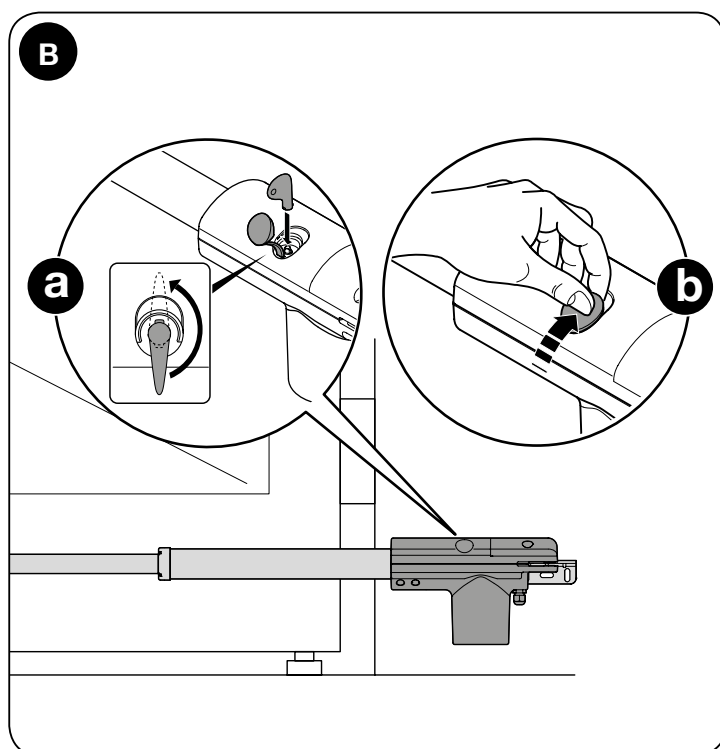
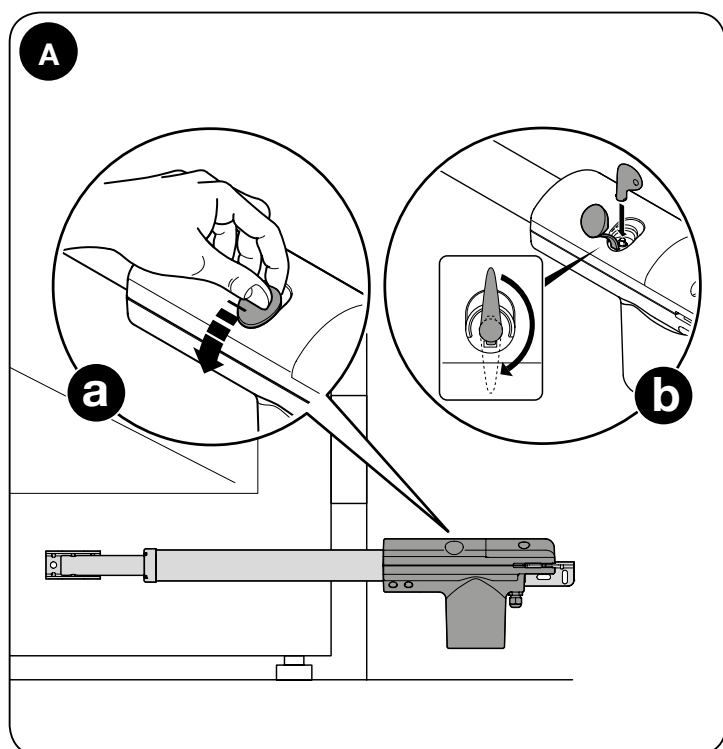
## (to be given to the final user)

- **Before using your automation system for the first time**, ask the installer to explain the origin of any residual risks; take a few minutes to read the user **manual given you by the installer**. Keep the manual for consultation when in doubt and ensure supply to new owners of the automation.
- **Your automation system is a machine that will faithfully execute your commands**; unreasonable or improper use may generate dangers: do not operate the system if there are people, animals or objects within its range of operation.
- **Children**: automation systems are designed to guarantee high levels of safety and security. They are equipped with detection devices that prevent movement if people or objects are in the way, guaranteeing safe and reliable activation. However, children should not be allowed to play in the vicinity of automated systems; to prevent any accidental activations, keep all remote controls away from children: **they are not toys!**
- **Faults**: if you notice that the automation is not functioning correctly, disconnect the electrical power supply from the system. Never attempt any repairs; contact your local installer for assistance. The system can be operated manually: release the gearmotor, as described in "Manual release and lock".
- **Maintenance**: As with all machinery, the automation requires periodic maintenance to ensure optimal operation, extended lifetime and complete safety. Arrange a periodic maintenance schedule with your installation technician. Nice recommends that maintenance checks be carried out every six months for normal domestic use, but this interval may vary depending on the intensity of use. Only qualified personnel are authorised to carry out checks, maintenance operations and repairs.
- Do not modify the system or its programming and adjustment parameters in any way, even if you feel capable of doing it: your installation technician is responsible for the system.
- The final test, periodic maintenance and any repairs must be documented by the person who has performed them; these documents remain in the custody of the owner of the system.

The **only recommended** maintenance operations that the user can perform periodically are the removal of leaves or debris that may impede the automation.

Before proceeding, **release the automation (fig. A)** and **disconnect all power supplies** (including the backup battery, if present).

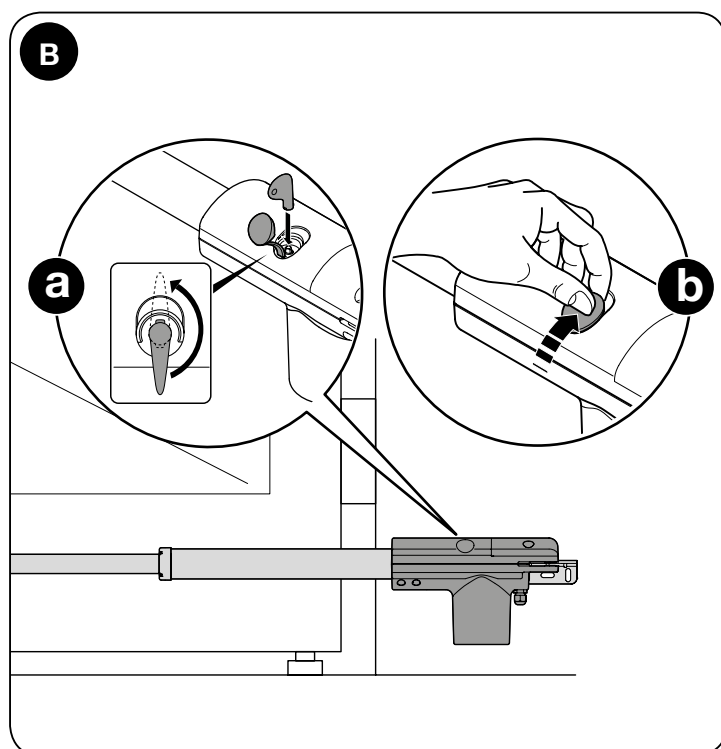
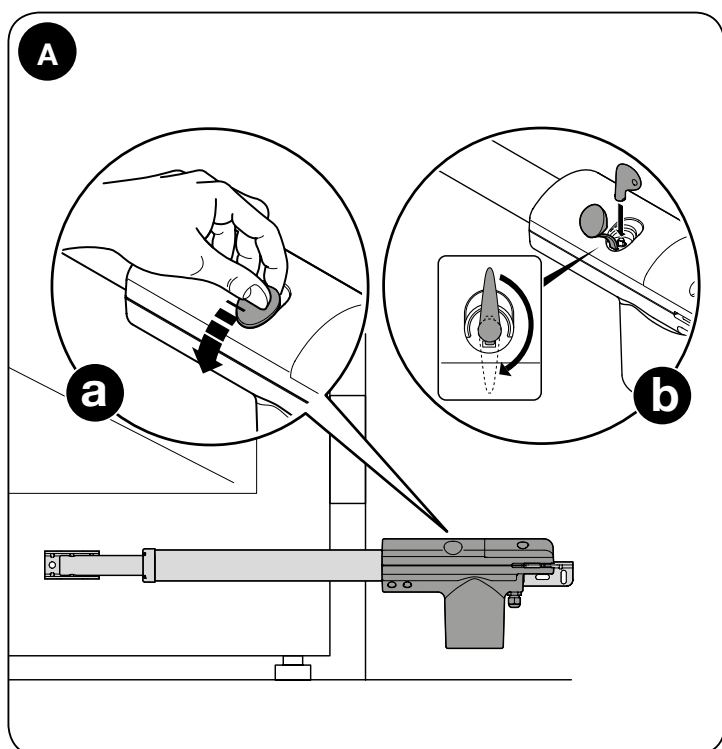
- **Disposal**: At the end of the automation's lifetime, ensure that it is disposed of by qualified personnel and that the materials are recycled or scrapped according to local regulations.
- **Manual release and lock**
  - **Releasing the gearmotor: (fig. A)**
  - **Locking the gearmotor: (fig. B)**



# Manuale per l'uso

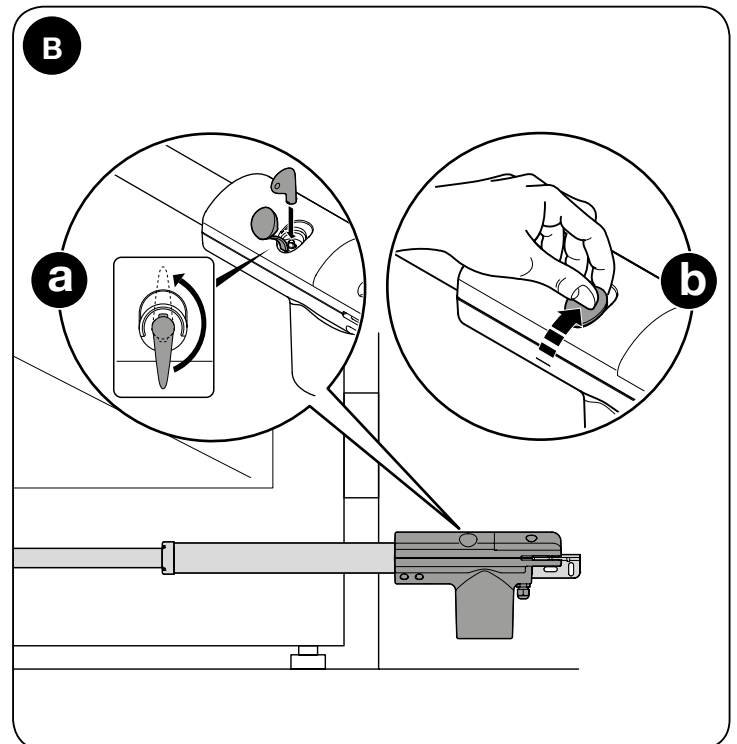
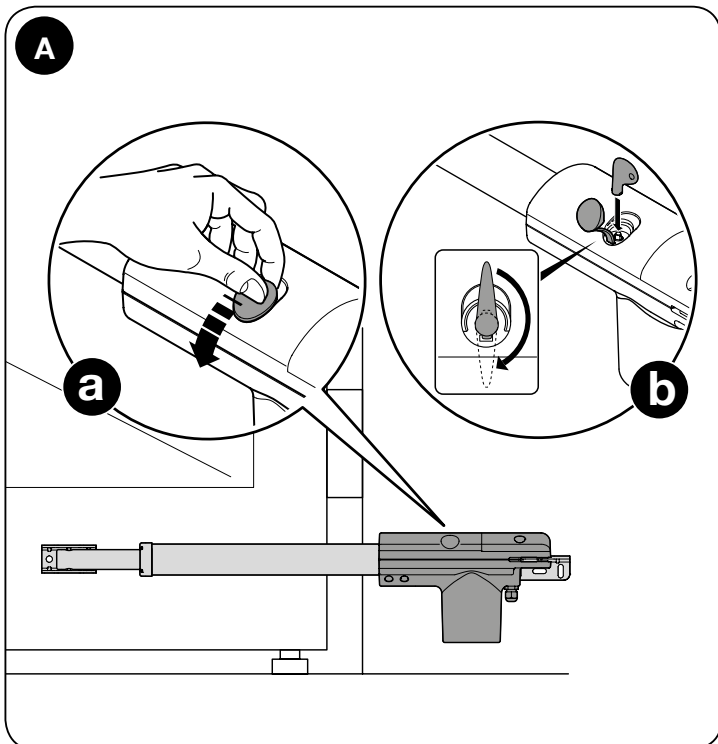
(da consegnare all'utilizzatore finale)

- **Prima di usare per la prima volta l'automazione**, fatevi spiegare dall'installatore l'origine dei rischi residui, e dedicate qualche minuto alla lettura del manuale **di istruzioni ed avvertenze per l'utilizzatore** consegnatovi dall'installatore. Conservate il manuale per ogni dubbio futuro e consegnatelo ad un eventuale nuovo proprietario dell'automazione.
- **La vostra automazione è un macchinario che esegue fedelmente i vostri comandi**; un uso incosciente ed improprio può farlo diventare pericoloso: non comandate il movimento dell'automazione se nel suo raggio di azione si trovano persone, animali o cose.
- **Bambini**: un impianto di automazione garantisce un alto grado di sicurezza, impedendo con i suoi sistemi di rilevazione il movimento in presenza di persone o cose, e garantendo un'attivazione sempre prevedibile e sicura. È comunque prudente vietare ai bambini di giocare in prossimità dell'automazione e per evitare attivazioni involontarie non lasciare i telecomandi alla loro portata: **non è un gioco!**
- **Anomalie**: se viene notato un comportamento anomalo da parte dell'automazione togliere alimentazione elettrica all'impianto. Non tentare alcuna riparazione ma richiedere l'intervento del vostro installatore di fiducia. L'impianto può funzionare manualmente: sbloccare il motoriduttore come descritto al punto "Sblocco e blocco manuale".
- **Manutenzione**: Come ogni macchinario la vostra automazione ha bisogno di una manutenzione periodica affinché possa funzionare più a lungo possibile ed in completa sicurezza. Concordate con il vostro installatore un piano di manutenzione con frequenza periodica; Nice consiglia un intervento ogni 6 mesi per un normale utilizzo domestico, ma questo periodo può variare in funzione dell'intensità d'uso. Qualunque intervento di controllo, manutenzione o riparazione deve essere eseguito solo da personale qualificato.
- Anche se ritenete di saperlo fare, non modificate l'impianto ed i parametri di programmazione e di regolazione dell'automazione: la responsabilità è del vostro installatore.
- Il collaudo, le manutenzioni periodiche e le eventuali riparazioni devono essere documentate da chi le esegue e i documenti conservati dal proprietario dell'impianto.  
**Gli unici interventi** che sono possibili e vi consigliamo di effettuare periodicamente, sono la rimozione di eventuali foglie oppure sassi che potrebbero ostacolare l'automatismo. Prima di procedere, ricordatevi di **sbloccare l'automatismo (fig. A)** e **scollegare tutte le sorgenti di alimentazione** (anche le batterie tampone se presenti).
- **Smaltimento**: Al termine della vita dell'automazione, assicuratevi che lo smantellamento sia eseguito da personale qualificato e che i materiali vengano riciclati o smaltiti secondo le norme valide a livello locale.
- **Sblocco e blocco manuale**
  - **Sbloccare il motoriduttore: (fig. A)**
  - **Bloccare il motoriduttore: (fig. B)**



# Guide de l'utilisateur (à délivrer à l'utilisateur final)

- **Avant la première utilisation de l'automatisme**, demander à l'installateur d'expliquer les risques résiduels et consacrer quelques minutes à la lecture du manuel **d'instructions et d'avertissements pour l'utilisateur** qui a été délivré par l'installateur. Conserver le guide pour pouvoir le consulter dans le futur, en cas de doute, et le remettre, le cas échéant, au nouveau propriétaire de l'automatisme.
- **Votre automatisme est un équipement qui exécute fidèlement vos commandes** ; toute utilisation inconsciente et incorrecte peut provoquer des situations de danger : ne pas commander le mouvement de l'automatisme si des personnes, des animaux ou des objets se trouvent dans son champ d'action.
- **Enfants** : une installation d'automatisation garantit un degré de sécurité élevé en empêchant, grâce à ses systèmes de détection, le mouvement en cas de présence de personnes ou d'objets et en garantissant une activation toujours prévisible et sûre. Toutefois, il est prudent d'éviter de laisser les enfants jouer à proximité de l'automatisme et, pour éviter tout déclenchement involontaire, de ne pas laisser les télécommandes à leur portée : **ce n'est pas un jeu !**
- **Anomalies** : en cas d'anomalie quelconque remarquée dans le fonctionnement de l'automatisme, couper l'alimentation électrique de l'installation. Ne tentez jamais de le réparer vous-même mais demandez l'intervention de votre installateur de confiance. L'installation peut fonctionner comme un système non automatisé : il faut pour cela déverrouiller le motoréducteur comme décrit au paragraphe « Déverrouillage et verrouillage manuel ».
- **Maintenance** : Comme toute autre machine, votre automatisme nécessite une maintenance périodique afin de pouvoir fonctionner le plus longtemps possible et en toute sécurité. Avec l'installateur, établir un programme de maintenance avec fréquence périodique ; Nice conseille une intervention tous les 6 mois en cas d'usage domestique normal mais cet intervalle peut varier en fonction de l'usage même qui est fait de l'appareil. Toute intervention de contrôle, maintenance ou réparation ne doit être réalisée que par un personnel qualifié.
- Même si vous estimez en être capable, ne modifiez pas l'installation et les paramètres de programmation et de réglage de l'automatisme : la responsabilité en incombe à l'installateur.
- Le test, les maintenances périodiques et les éventuelles réparations doivent être justifiés par écrit par celui qui les réalise et tous les documents s'y rattachant doivent être conservés par le propriétaire de l'installation.  
**Les seules interventions** qui sont possibles et que nous vous conseillons d'effectuer périodiquement est d'enlever les feuilles ou cailloux susceptibles de gêner le bon fonctionnement de l'automatisme.  
A fin d'empêcher que quelqu'un puisse actionner le volet, avant d'intervenir, n'oubliez pas de **déverrouiller l'automatisme (fig. A)** et de **débrancher toutes les sources d'alimentation** (y compris les batteries tampon si présentes).
- **Mise au rebut** : À la fin de la vie de l'automatisme, s'assurer que le démantèlement est effectué par du personnel qualifié et que les matériaux sont recyclés ou mis au rebut en respectant les normes locales en vigueur.
- **Déverrouillage et verrouillage manuel**
  - **Déverrouiller le motoréducteur : (fig. A)**
  - **Verrouiller le motoréducteur : (fig. B)**



# Manual de uso

## (facilitar al usuario final)

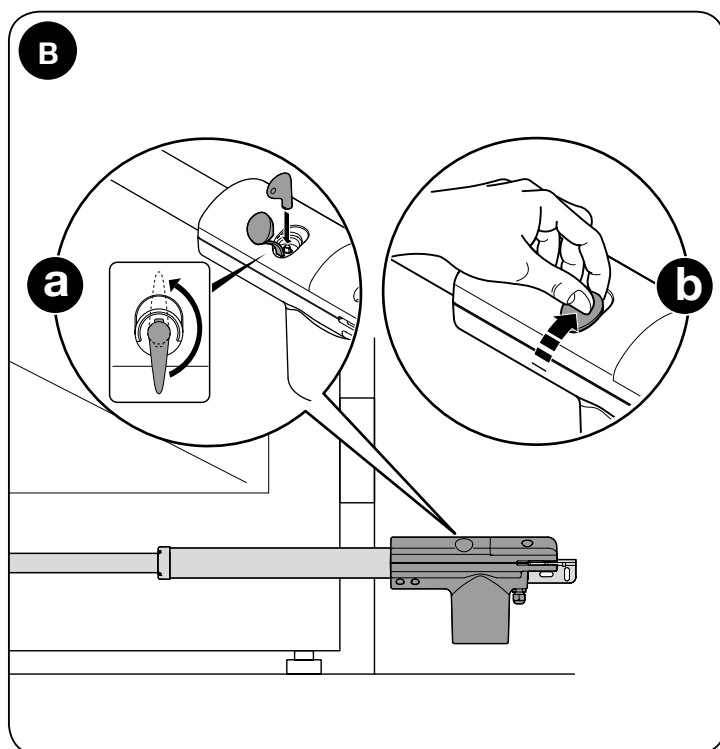
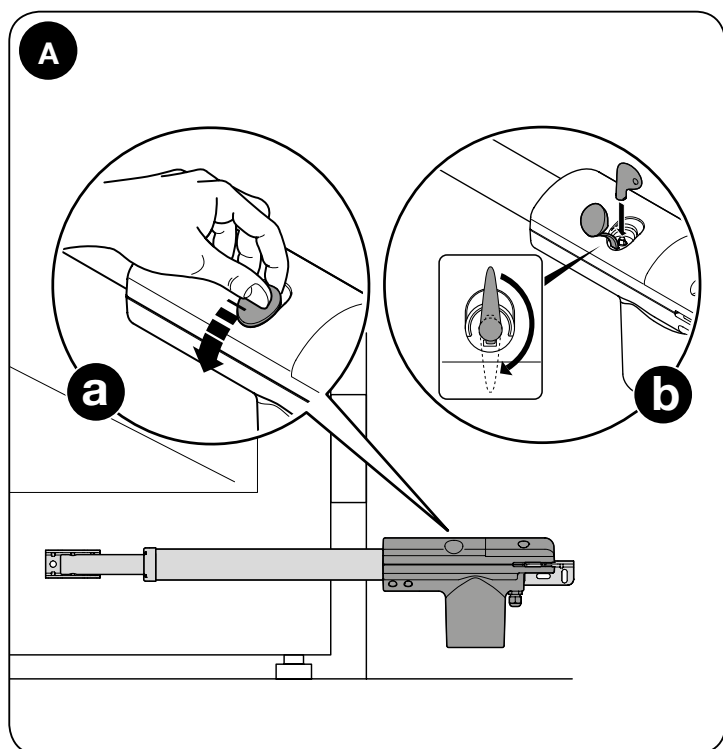
- **Antes de usar por primera vez el automatismo**, pida a su instalador que le explique el origen de los riesgos residuales y lea este manual de **instrucciones y advertencias para el usuario** entregado por el instalador. Conserve el manual por cualquier problema que pueda surgir y recuerde entregarlo a un posible nuevo propietario del automatismo.
- **El automatismo es una máquina que ejecuta fielmente los mandos enviados**; por tanto, cualquier accionamiento accidental o inadecuado puede resultar peligroso: por consiguiente, no accione el automatismo cuando en su radio de acción haya personas, animales u objetos.
- **Niños**: la instalación de un sistema de automatización garantiza un elevado grado de seguridad, impidiendo, gracias a sus sistemas de detección, que se mueva ante la presencia de personas u objetos y garantizando una activación previsible y segura. Procure que los niños no jueguen cerca del automatismo y mantenga los controles remotos fuera de su alcance: **¡no son un juguete!**
- **Anomalías**: en caso de detectar alguna anomalía en el funcionamiento del sistema de automatización, desconéctelo de la alimentación eléctrica. No intente repararlo por su cuenta; llame a su instalador de confianza. El sistema puede funcionar manualmente: desbloquee el motorreductor tal y como se describe en la sección "Desbloqueo y bloqueo manual".
- **Mantenimiento**: para garantizar una larga vida útil y para un funcionamiento seguro, la instalación, al igual que cualquier otra maquinaria, requiere un mantenimiento periódico. Establezca con su instalador un programa de mantenimiento periódico; Nice aconseja realizar un mantenimiento cada 6 meses para un uso residencial normal, que puede variar según la intensidad. Cualquier tipo de control, mantenimiento o reparación debe realizarlo sólo personal cualificado a tal efecto.
- Aunque considere que sabe hacerlo, no modifique el sistema ni los parámetros de programación ni de regulación del automatismo, ya que la responsabilidad recae en el instalador.
- La persona que desarrolle las tareas de ensayo, el mantenimiento periódico y las posibles reparaciones del sistema deberá aportar los documentos que acrediten la realización de tales operaciones y, asimismo, el propietario del sistema deberá conservar tales documentos.

**Las únicas operaciones** que pueden hacerse y que le aconsejamos efectuar periódicamente consisten en retirar las hojas o piedras que puedan obstaculizar el sistema de automatización. Para impedir un accionamiento indeseado de la persiana, antes de proceder, recuerde **desbloquear el sistema (fig. A)** y **desconectar todas las fuentes de alimentación** (incluyendo las baterías de compensación que estén presentes).

- **Eliminación**: al final de la vida útil del sistema de automatización, la eliminación de éste debe realizarla personal cualificado y, asimismo, los materiales han de reciclarse y desecharse de conformidad con las normas locales vigentes.

### Desbloqueo y bloqueo manual

- **Desbloqueo del motorreductor: (fig. A)**
- **Bloqueo del motorreductor: (fig. B)**





# Bedienungsanleitung

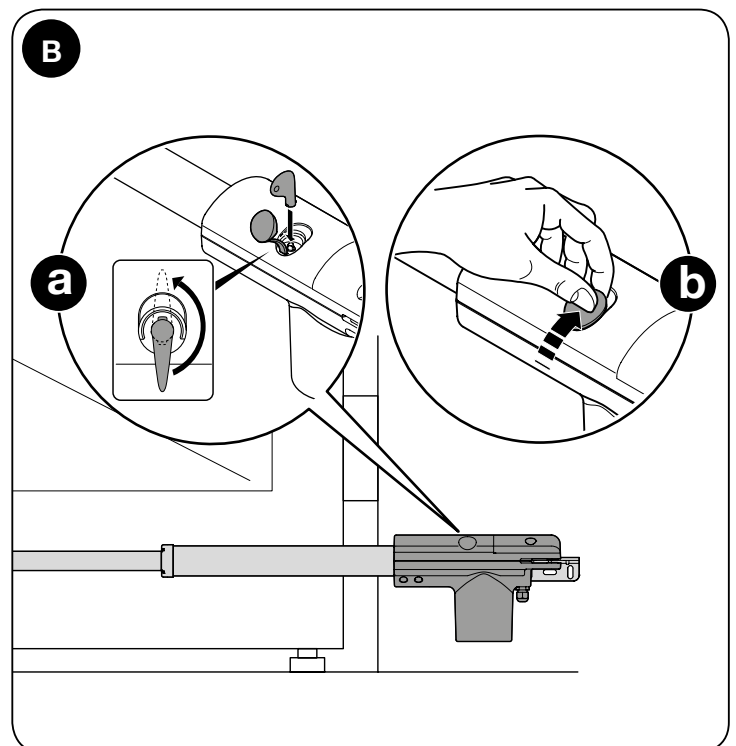
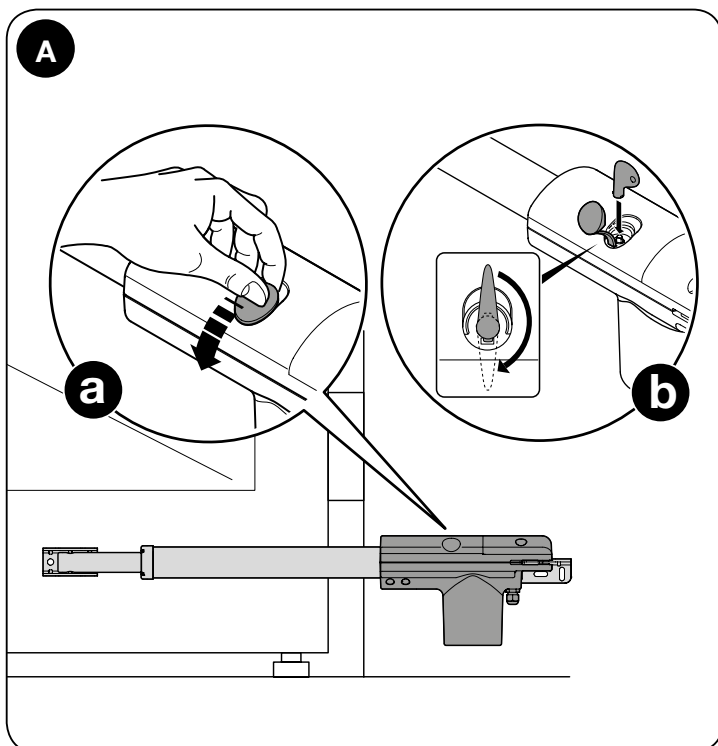
(Muss dem Endbenutzer übergeben werden)

- **Bevor Sie die Automatisierung zum ersten Mal verwenden,** lassen Sie sich von Ihrem Installateur erklären, wie Restrisiken entstehen können, und widmen Sie dem Lesen **der Anweisungen und Hinweise für den Benutzer**, die Ihnen Ihr Installateur aushändigen wird, ein paar Minuten. Bewahren Sie die Anleitung für zukünftige Zweifelsfälle auf und übergeben Sie diese ggf. einem neuen Besitzer der Automatisierung.
- **Ihre Automatisierung ist ein Gerät, das Ihre Befehle zuverlässig ausführt;** durch eine unverantwortliche und ungeeignete Benutzung kann sie gefährlich werden: keine Bewegungen der Automatisierung ausführen lassen, wenn Personen, Tiere oder Gegenstände in der Nähe vorhanden sind.
- **Kinder:** Eine Automatisierungsanlage gewährleistet einen hohen Sicherheitsgrad und verhindert mit ihren Schutzsystemen, dass sie sich in Anwesenheit von Personen und Gegenständen bewegt. Sie gewährleistet eine immer vorhersehbare und sichere Aktivierung. Als Vorsichtsmaßnahme sollte man aber Kindern verbieten, in der Nähe der Automatisierung zu spielen, und man sollte die Fernbedienungen nicht in der Reichweite von Kindern lassen: **Es handelt sich nicht um ein Spiel!**
- **Anomalien:** wird ein ungewöhnliches Verhalten der Automatisierung bemerkt, muss die Stromversorgung zur Anlage getrennt werden. Versuchen Sie nie, selbst Reparaturen auszuführen, sondern fordern Sie den Eingriff des Installateurs Ihres Vertrauens an. Die Anlage kann manuell betrieben werden: den Antrieb wie unter Punkt „Manuelle Entriegelung und Verriegelung“ beschrieben entriegeln.
- **Wartung:** wie jede Maschine benötigt auch Ihre Automatisierung eine regelmäßige Wartung, damit sie so lange wie möglich und in voller Sicherheit funktionieren kann. Vereinbaren Sie mit Ihrem Installateur einen programmierten Wartungsplan; Nice empfiehlt eine programmierte Wartung alle 6 Monate bei Normalgebrauch für den Haushalt, dieser Zeitraum kann aber je nachdem, wie häufig die Anlage benutzt wird, unterschiedlich sein. Arbeiten wie Wartung, Kontrollen und Reparaturen dürfen nur von Fachpersonal ausgeführt werden.
- Auch wenn Sie meinen, dass Sie wissen, wie das gemacht wird, ändern Sie die Anlage und die programmierten Parameter sowie die Einstellungen der Automatisierung nicht: diese Verantwortung liegt bei Ihrem Installateur.
- Die Endabnahme, die regelmäßigen Wartungen und eventuelle Reparaturen müssen von dem, der diese Arbeiten ausführt, belegt sein, und diese Belege müssen vom Besitzer der Anlage aufbewahrt werden.

**Die einzigen Eingriffe,** die Sie ausführen können und periodisch auch ausführen sollten, sind die Entfernung eventueller Blätter oder Steine, die den Automatismus behindern könnten. Um zu verhindern, dass jemand das Rollgitter betätigt, muss vor dem Eingriff der **Automatismus entriegelt (Abb. A)** und **alle Stromversorgungen** (auch Pufferbatterien, wenn vorhanden) getrennt werden.

- **Entsorgung:** Versichern Sie sich, dass die Demontage am Ende der Lebensdauer Ihrer Automatisierung von Fachpersonal ausgeführt wird und dass die Materialien nach den örtlich gültigen Vorschriften recycelt oder entsorgt werden.

- **Manuelle Entriegelung und Verriegelung**
  - Den Getriebemotor entriegeln: (Abb. A)
  - Den Getriebemotor blockieren: (Abb. B)

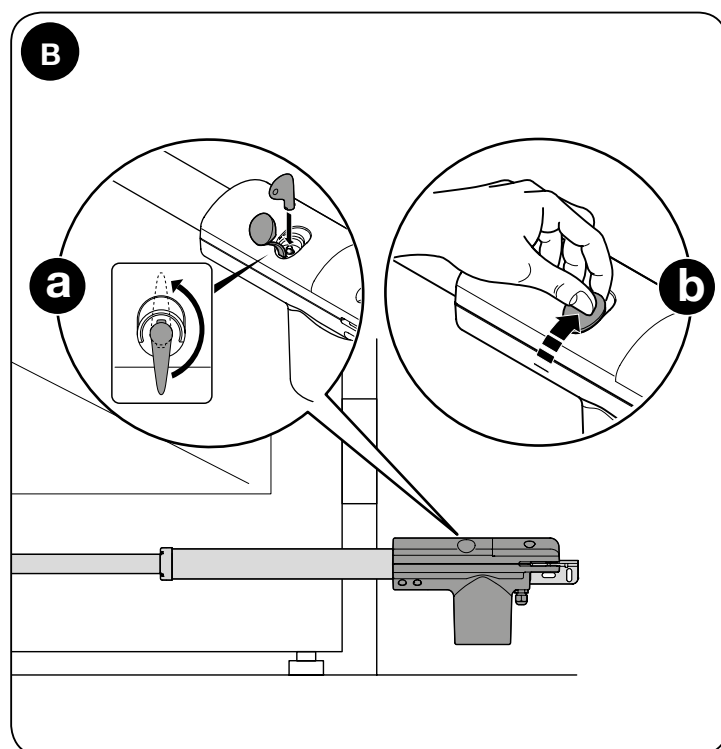
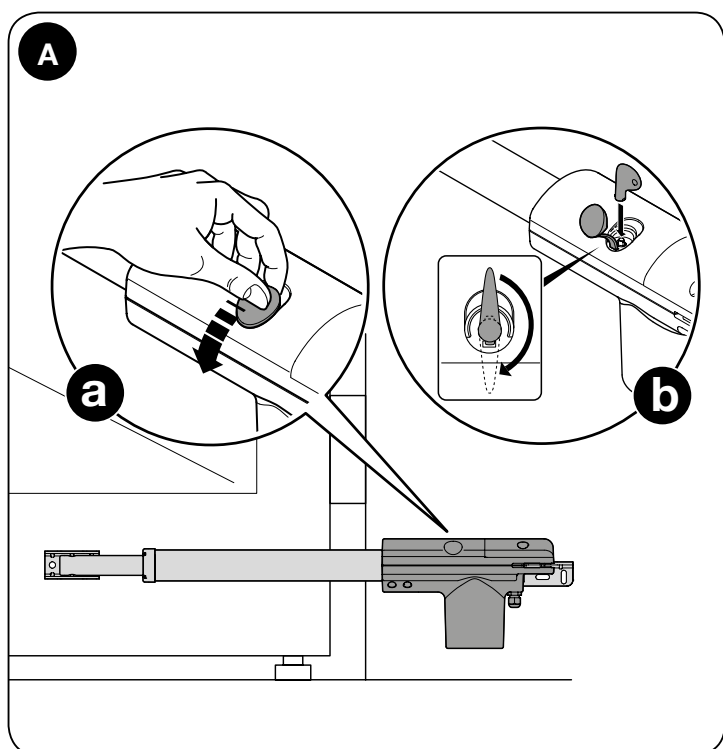




# Instrukcja obsługi

(należy oddać użytkownikowi końcowemu)

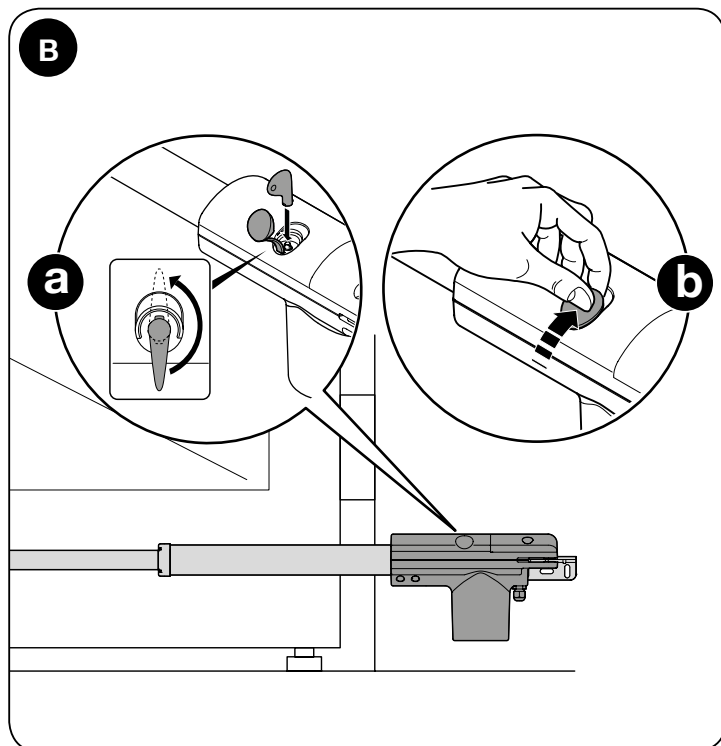
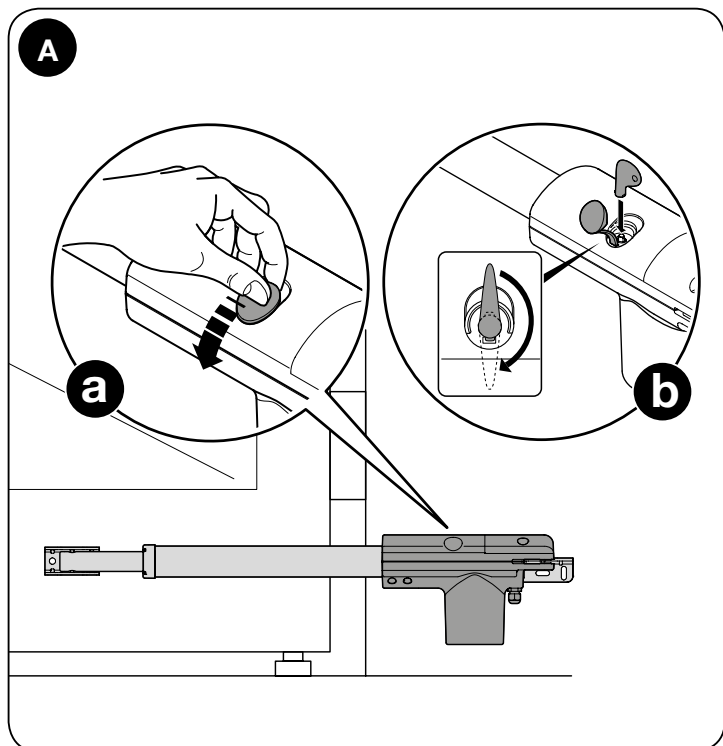
- **Przed pierwszym użyciem automatyki** należy poprosić instalatora o wyjaśnienie, jakie zagrożenia mogą pojawić się w czasie użytkowania bramy i skąd pochodzą, przeznaczyć kilka minut na przeczytanie **instrukcji i ostrzeżeń dla użytkownika** przekazanych przez instalatora. Należy zachować instrukcję w celu wykorzystania jej w przyszłości oraz, w przypadku sprzedaży, należy przekazać ją nowemu użytkownikowi automatyki.
- **Państwa automatyka jest systemem, który dokładnie wykonuje wydawane polecenia.** Nieświadome lub niewłaściwe użycie może stać się zatem źródłem zagrożenia: nie wolno sterować bramą, jeśli w jej pobliżu znajdują się jakieś osoby, zwierzęta lub przedmioty.
- **Dzieci:** automatyka gwarantuje wysoki stopień bezpieczeństwa. Zatrzymuje ruch, gdy jej system zabezpieczający wykryje obecność osób lub rzeczy i gwarantuje uaktywnienie tego systemu w sposób bezpieczny i przewidywalny. Dla ostrożności zaleca się zakazanie dzieciom zabawy w pobliżu automatyki i niepozostawianie pilotów w ich zasięgu, aby uniknąć nieumyślnego uruchomienia: **to nie zabawka!**
- **Anomalie:** w przypadku wykrycia nieprawidłowego zachowania automatyki, należy odłączyć zasilanie elektryczne. Nie wykonywać samodzielnie żadnej naprawy, ale zwrócić się o pomoc do zaufanego instalatora: Urządzenie może pracować ręcznie: odblokować motoreduktor w sposób opisany w punkcie „Odblokowanie i zablokowanie ręczne”.
- **Konserwacja:** Automatyka, jak każda maszyna, wymaga okresowych czynności konserwacyjnych, co gwarantuje jej bezpieczne i długoletnie funkcjonowanie. Należy uzgodnić z Państwa instalatorem program okresowych przeglądów konserwacyjnych. Firma Nice zaleca, aby przy normalnym użytkowaniu domowym przeglądy automatyki wykonywane były co 6 miesięcy, jakkolwiek zależy to również od intensywności użytkowania. Wszelkie prace kontrolne, konserwacyjne lub naprawcze powinny być wykonywane wyłącznie przez wykwalifikowany personel.
- Nawet jeśli uważacie, że potraficie, nie modyfikujcie urządzenia i parametrów programowania ani nie regulujcie automatyki: za wykonywanie tych czynności odpowiedzialny jest Państwa instalator.
- Odbiór, konserwacje okresowe i ewentualne naprawy powinny być udokumentowane przez wykonującą je osobę, a dokumentacja przechowywana przez właściciela urządzenia.  
**Jedynie możliwe czynności**, które powinni Państwo regularnie wykonywać, to usuwanie ewentualnych liści lub kamieni, które mogłyby przeszkodzić w ruchu bramy.  
W celu uniemożliwienia uruchomienia bramy, przed przystąpieniem do dalszych działań, należy **odblokować automatykę (rys. A)** i **odłączyć wszystkie źródła zasilania** (również akumulatory awaryjne, jeżeli są one obecne).
- **Utylizacja:** Po zakończeniu okresu użytkowania automatyki należy dopilnować, aby likwidacja została przeprowadzona przez wykwalifikowany personel i aby materiały zostały poddane recyklingowi lub utylizacji zgodnie z obowiązującymi przepisami.
- **Odblokowanie i zablokowanie ręczne**
  - **Wysprzęglanie siłownika: (rys. A)**
  - **Zasprzęglanie siłownika: (rys. B)**



# Gebruikshandleiding

## (te overhandigen aan de eindgebruiker)

- **Voordat u de automatisering voor de eerste maal gaat gebruiken**, is het raadzaam u door de installateur te laten uitlegen waar de restricties ontstaan, en **enkele minuten van uw tijd te besteden aan het lezen van deze handleiding met aanwijzingen en aanbevelingen voor de gebruiker** die de installateur u overhandigd heeft. Bewaar deze handleiding voor eventuele toekomstige twijfels en geef haar aan een eventuele nieuwe eigenaar van de automatisering.
- **Uw automatisering is een machine die getrouwelijk uw instructies opvolgt**; onverantwoordelijk en oneigenlijk gebruik kan maken dat het een gevaarlijke machine wordt: laat de automatisering niet werken als er zich mensen, dieren of zaken binnen haar bereik bevinden.
- **Kinderen**: een automatiseringsinstallatie biedt een hoge graad van veiligheid, doordat de manoeuvre bij aanwezigheid van mensen of zaken dankzij de beveiligingssystemen worden onderbroken en altijd een voorspelbare en veilige activering gegarandeerd. Het is in ieder geval verstandig kinderen te verbieden in de buurt van de installatie te spelen en de afstandsbedieningen buiten hun bereik te houden om te voorkomen dat de installatie per ongeluk in werking treedt: **het is geen speelgoed!**
- **Storingen**: zodra u constateert dat de automatiseringsinstallatie niet werkt zoals ze dat zou moeten doen, dient u de stroomtoevoer naar de installatie te onderbreken. Probeer ze niet zelf te repareren, maar roep de hulp van uw vertrouwde installateur in. De installatie kan handmatig worden bediend: ontgrendel de reductiemotor zoals beschreven in het punt "Handmatige vergrendeling en ontgrendeling".
- **Onderhoud**: Zoals elke machine heeft uw installatie periodiek onderhoud nodig om haar zo lang mogelijk en geheel veilig te laten werken. Stel met uw installateur een onderhoudsplan met periodieke frequentie op; Nice raadt bij normaal gebruik bij een woning een onderhoudsbezoek om het half jaar aan, maar dit tijdsbestek kan variëren in functie van een meer of minder intensief gebruik. Alle controle-, onderhouds- of reparatiewerkzaamheden mogen uitsluitend door gekwalificeerd personeel worden uitgevoerd.
- Ook als u denkt het zelf te kunnen doen, dient u toch geen wijzigingen in de installatie en de parameters voor programmering en instelling van de automatisering aan te brengen: dit is de verantwoordelijkheid van uw installateur.
- De opleveringstest, de periodieke onderhoudswerkzaamheden en de eventuele reparatiewerkzaamheden dienen gedocumenteerd te worden door wie die uitvoert en de documenten dienen door de eigenaar van de installatie bewaard te worden.  
**De enige werkzaamheden** die regelmatig kunnen en moeten worden uitgevoerd, zijn het verwijderen van bladeren of stenen die de werking van de automatisering kunnen belemmeren. Om te voorkomen dat iemand het rolluik in beweging kan zetten, mag u niet vergeten om, alvorens door te gaan, **de automatisering te ontgrendelen (afb. A)** en **alle voedingsbronnen af te koppelen** (ook de eventuele bufferbatterijen).
- **Afdanking**: Als de automatisering niet meer gebruikt kan worden, dient u zich ervan te vergewissen dat de sloop daarvan door gekwalificeerd personeel wordt uitgevoerd en dat het materiaal volgens de plaatselijk geldende voorschriften wordt hergebruikt of naar de afvalverwerking wordt gezonden.
- **Handmatige vergrendeling en ontgrendeling**
  - **De reductiemotor ontgrendelen: (afb. A)**
  - **De reductiemotor vergrendelen: (afb. B)**







**Nice SpA**  
Oderzo TV Italia  
info@niceforyou.com

[www.niceforyou.com](http://www.niceforyou.com)