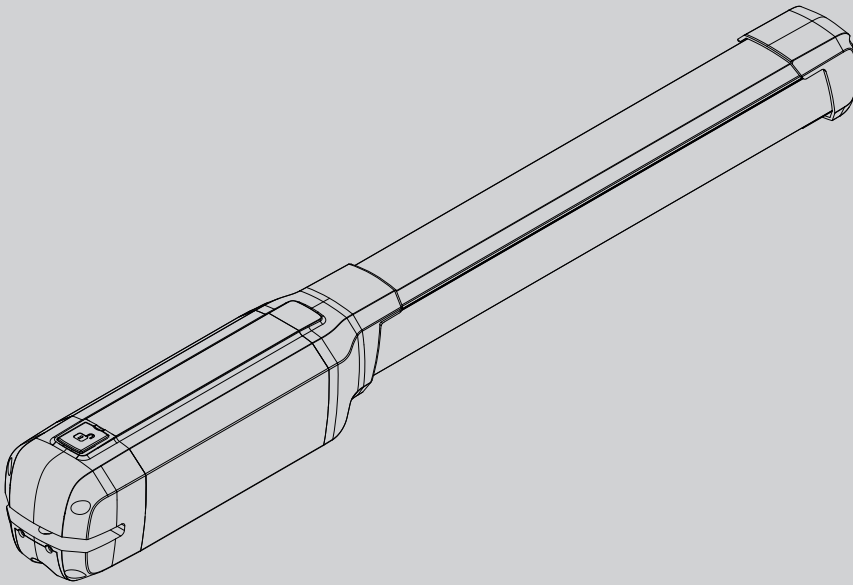




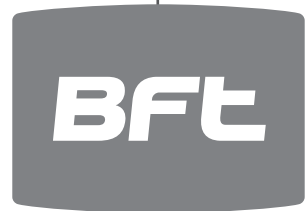
D812106 00100\_06.26-04-16

AUTOMAZIONI A PISTONE PER CANCELLI A BATTENTE  
 PISTON AUTOMATIONS FOR SWING GATES  
 AUTOMATIONS A PISTON POUR PORTAILS BATTANTS  
 ELEKTROMECHANISCHER DREHTORANTRIEB  
 AUTOMATIZACIONES A PISTON PARA PORTONES CON BATIENTE  
 AUTOMATISERINGSSYSTEMEN MET ZUIGER VOOR VLEUGELPOORTEN



ISTRUZIONI DI INSTALLAZIONE  
 INSTALLATION MANUAL  
 INSTRUCTIONS D'INSTALLATION  
 MONTAGEANLEITUNG  
 INSTRUCCIONES DE INSTALACION  
 INSTALLATIEVOORSCHRIFTEN

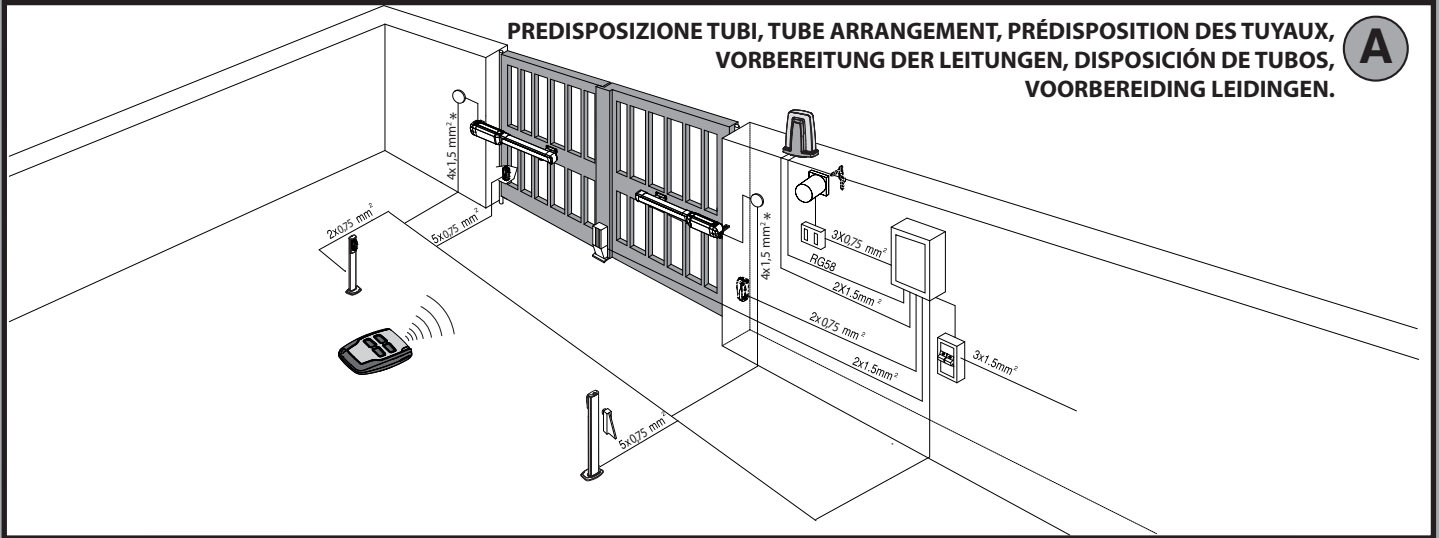
PHOBOS AC A25 230  
 PHOBOS AC A50 230  
 PHOBOS AC A50 110



AZIENDA CON SISTEMA DI GESTIONE  
 INTEGRATO CERTIFICATO DA DNV  
 = UNI EN ISO 9001:2008 =  
 UNI EN ISO 14001:2004

# INSTALLAZIONE VELOCE-QUICK INSTALLATION-INSTALLATION RAPIDE SCHNELLINSTALLATION-INSTALACIÓN RÁPIDA - SNELLE INSTALLATIE

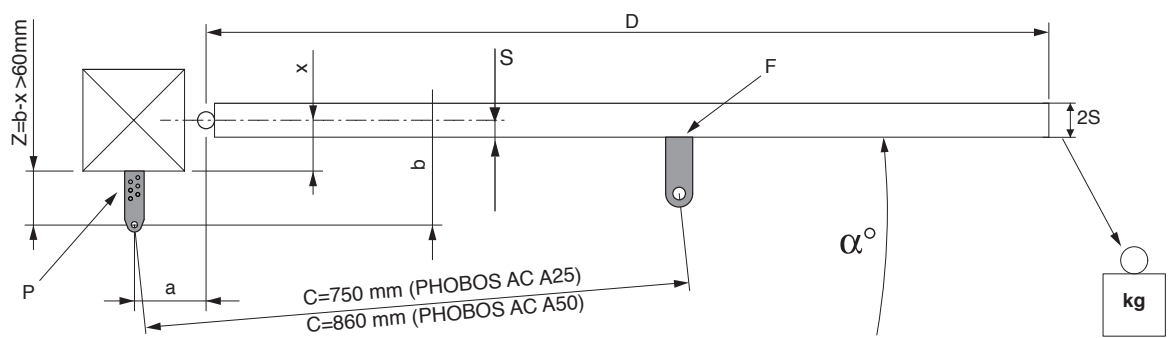
D812.106.00100\_06



**A**

## SCHEMA D'INSTALLAZIONE. INSTALLATION DIAGRAM. SCHÉMA D'INSTALLATION. INSTALLATIONSSCHEMA. ESQUEMA DE INSTALACIÓN. INSTALLATIESCHEMA.

**B**



**1**

S (mm)	PHOBOS AC A25		PHOBOS AC A50	
	125 kg (~1250 N)	250 kg (~2500 N)	125 kg (~1250 N)	250 kg (~2500 N)
	b (mm)		b (mm)	
20	100 ÷ 120	130 ÷ 210	130 ÷ 160	170 ÷ 260
30	100 ÷ 130	140 ÷ 210	130 ÷ 170	180 ÷ 260
40	100 ÷ 140	150 ÷ 210	130 ÷ 180	190 ÷ 260
50	100 ÷ 150	160 ÷ 210	130 ÷ 190	200 ÷ 260

**2 PHOBOS AC A 25**

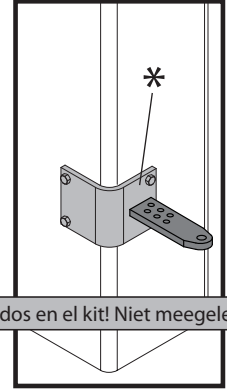
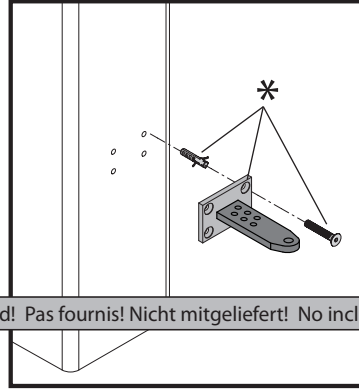
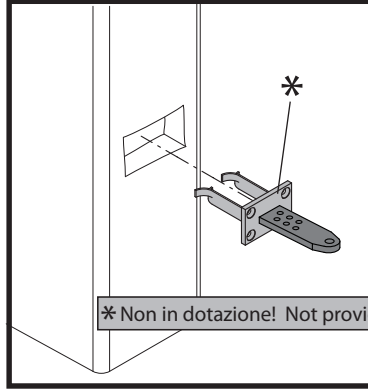
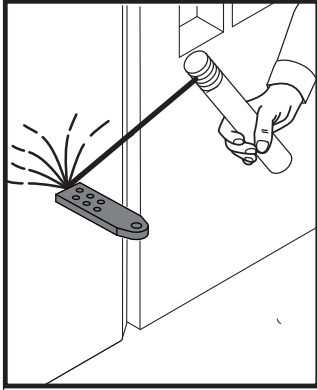
b \ a	100	110	120	130	140	150	160	170	180
100				114	116	120	123	123	115
110				112	116	119	122	119	110
120				111	114	117	120	123	
130			107	110	113	116	<b>116</b>		
140		102	106	109	112	<b>115</b>	110		
150		101	105	108	<b>111</b>	110			
160	98	101	104	<b>107</b>	110				
170	97	100	<b>103</b>	106					
180	97	<b>99</b>	102						
190	<b>96</b>	99							
200	96								α°

**3 PHOBOS AC A50**

b \ a	100	110	120	130	140	150	160	170	180	190	200	210	220	230
130	97	100	104	108	111	115	118	120	123	125	127	129	125	120
140	97	100	105	108	111	114	117	119	122	124	126	125	120	116
150	98	101	105	108	111	113	116	<b>118</b>	121	123	125	120	116	112
160	98	101	104	107	110	113	<b>115</b>	118	120	122	124	118	113	110
170	97	100	103	106	109	<b>112</b>	114	117	119	121	123	115	111	
180	97	100	103	105	108	111	113	116	118	118	118	113		
190	97	100	102	104	<b>107</b>	110	112	115	117	113	114			
200	96	99	101	<b>103</b>	106	109	111	114	116	115				
210	96	98	<b>101</b>	103	106	108	110	112	115					
220	95	<b>98</b>	101	103	106	108	109	111						
230	<b>95</b>	98	100	102	105	107	109							
240	95	97	99	101	104	105								
250	94	96	99	100	103									
260	94	96	98	100										α°

**ANCORAGGI DEGLI ATTACCHI AL PILASTRO. FASTENING OF FITTINGS TO PILLAR. ANCRAGES DES RACCORDEMENTS SUR LE PILIER. VERANKERUNGEN DER ANSCHLÜSSE AM PFEILER. ANLAJES DE LAS FIJACIONES AL PILAR. VERANKERING VAN DE BEVESTIGINGEN AAN DE PIJLER.**

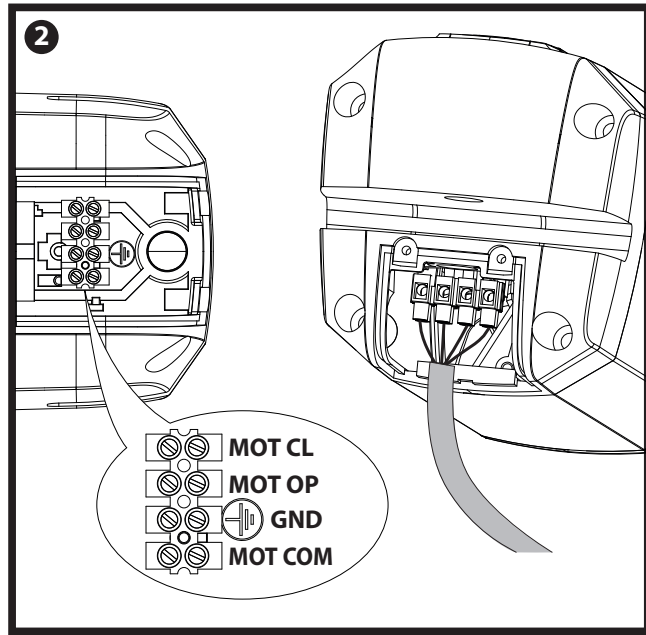
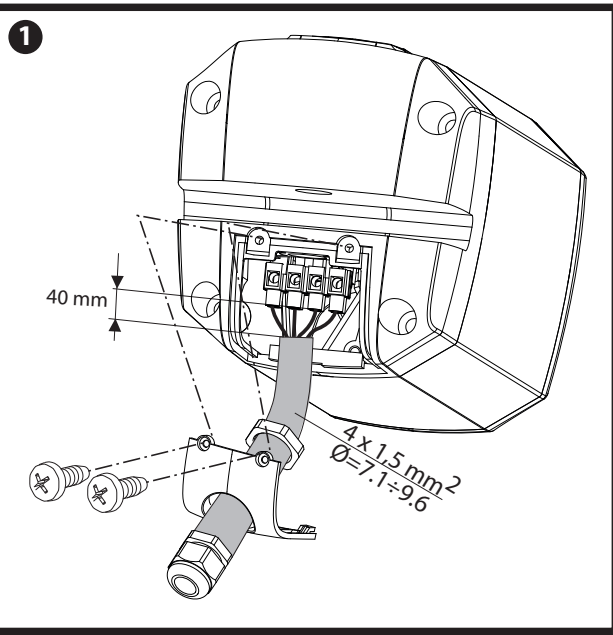
**C**



\* Non in dotazione! Not provided! Pas fournis! Nicht mitgeliefert! No incluidos en el kit! Niet meegeleverd!

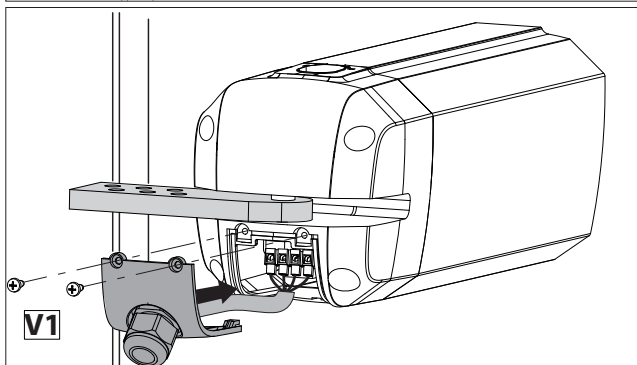
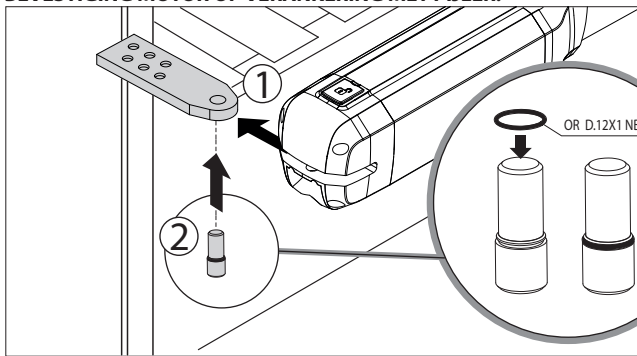
**CAVO DI ALIMENTAZIONE. POWER CABLE. C ÂBLE D'ALIMENTATION. NETZKABEL. CABLE DE ALIMENTACIÓN. VOEDINGSKABEL.**

**D**



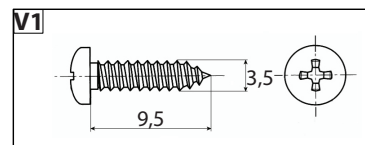
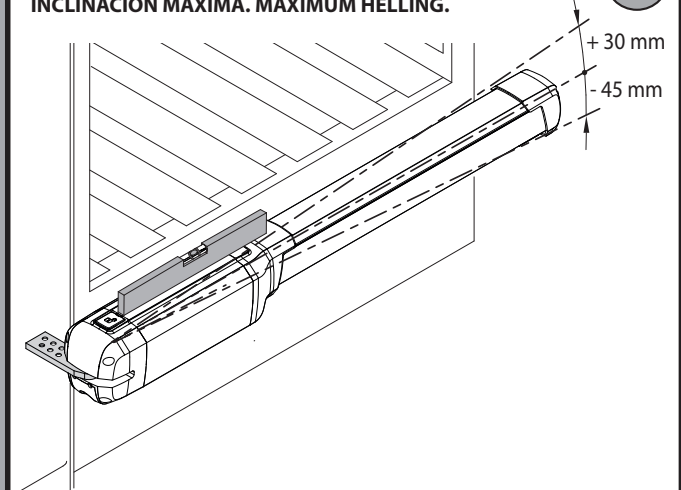
**FISSAGGIO MOTORE SU ANCORAGGIO A PILASTRO. ATTACHING MOTOR TO FASTENING ON PILLAR. FIXATION DU MOTEUR SUR L'ANCRAGE SUR LE PILIER. BEFESTIGUNG DES MOTORS AUF VERANKERUNG AM PFEILER. FIJACIÓN MOTOR EN ANLAJE AL PILAR. BEVESTIGING MOTOR OP VERANKERING MET PIJLER.**

**E**



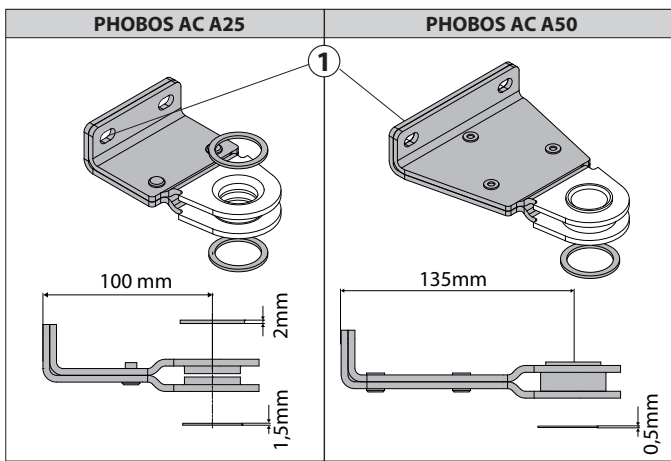
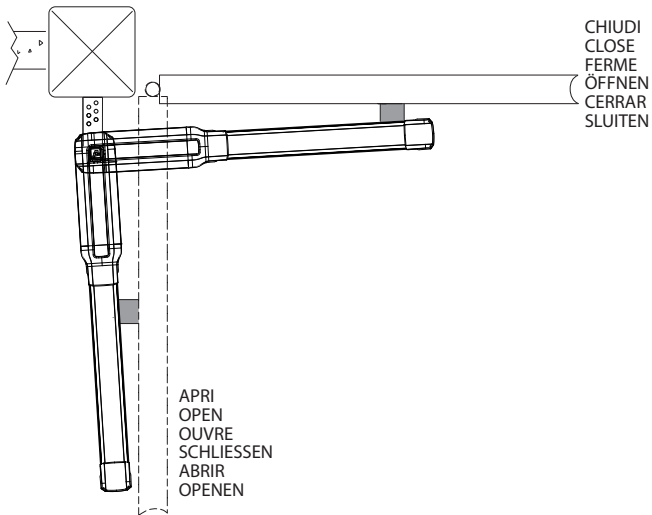
**MASSIMA INCLINAZIONE. MAXIMUM TILT. INCLINAISON MAXIMUM. MAX. NEIGUNG. INCLINACIÓN MÁXIMA. MAXIMUM HELLING.**

**F**



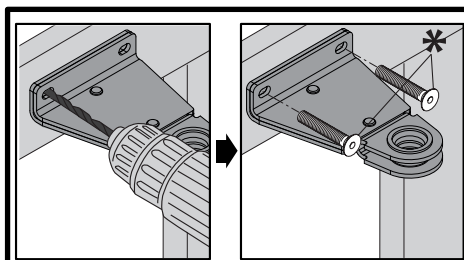
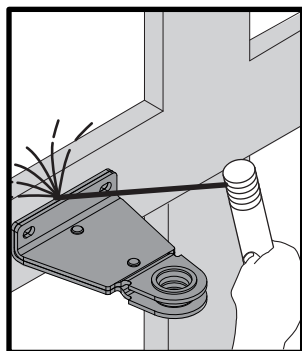
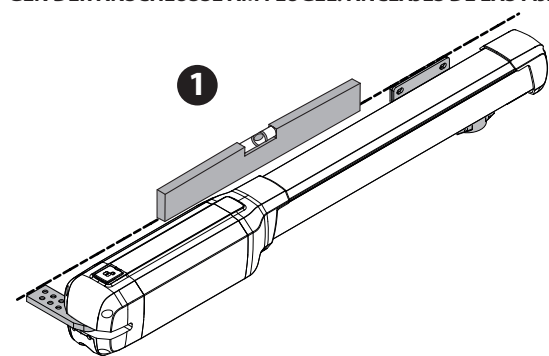
CORRETTA INSTALLAZIONE. CORRECT INSTALLATION. INSTALLATION CORRECTE. RICHTIGE INSTALLATION. INSTALCIÓN CORRECTA. CORRECTE INSTALLATIE.

G



ANCORAGGI DEGLI ATTACCHI ALL'ANTA. FASTENING OF FITTINGS TO LEAF. ANCRAGES DES RACCORDEMENTS SUR LE VANTAIL. VERANKERUNG DER ANSCHLÜSSE AM FLÜGEL. ANCLAJES DE LAS FIJACIONES A LA HOJA. VERANKERING VAN DE BEVESTIGINGEN AAN DE VLEUGEL.

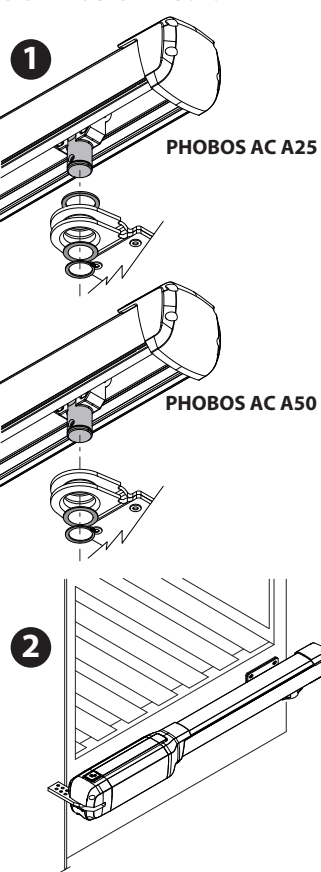
H



\* Non in dotazione! Not provided! Pas fournis! Nicht mitgeliefert! No incluidos en el kit! Niet meegeleverd!

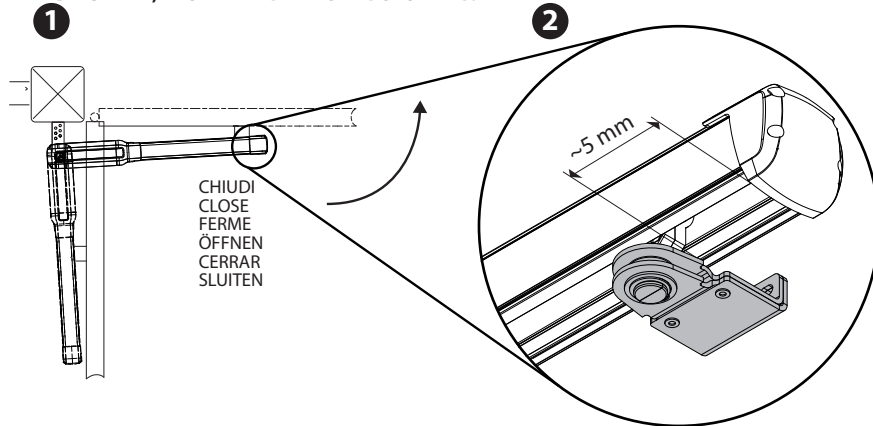
FISSAGGIO OPERATORE SULL'ANTA, OPERATOR ATTACHMENT ON DOOR, FIXATION DE L'ACTIONNEUR SUR LE VANTAIL, BEFESTIGUNG DES TRIEBES AM FLÜGEL, FIJACIÓN OPERADOR EN LA HOJA, BEVESTIGING BEDIENING OP DE VLEUGEL.

I



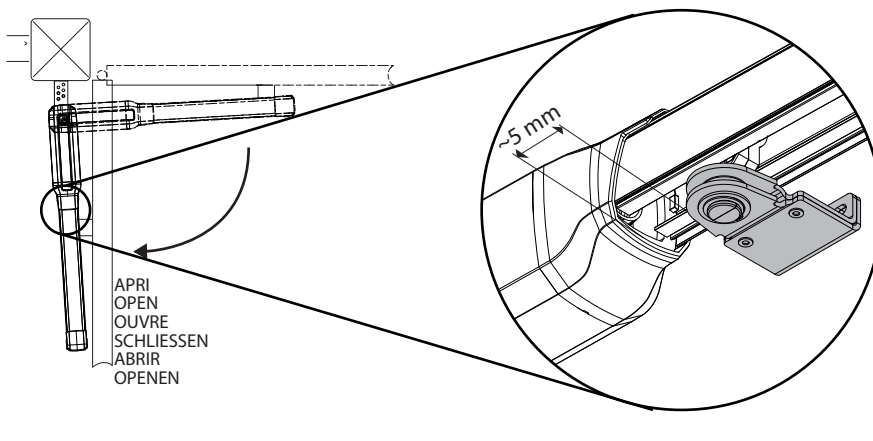
REGOLAZIONE FINECORSA DI CHIUSURA, CLOSING LIMIT DEVICE ADJUSTMENT, RÉGLAGE DES FIN DE COURSE DE FERMETURE, VERANKERUNG DER ANSCHLÜSSE AM FLÜGEL, REGULACIÓN DEL FIN DE CARRERA DE CIERRE, AFSTELLING AANSLAG SLUITING.

J

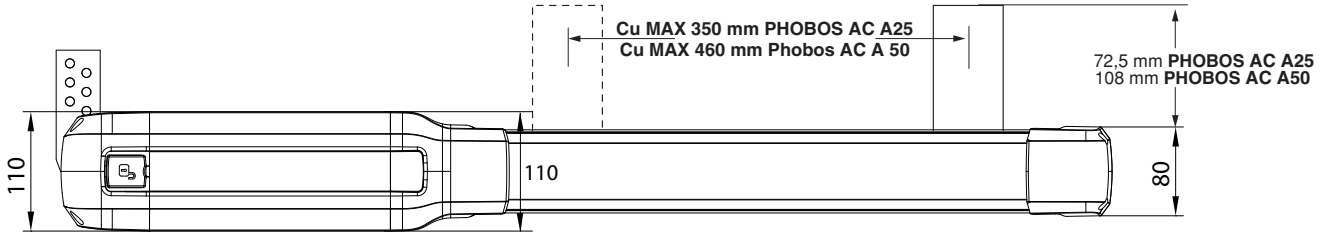
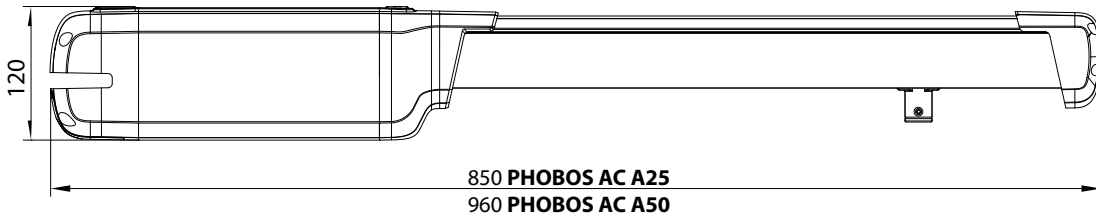


REGOLAZIONE FINECORSA DI APERTURA, OPENING LIMIT DEVICE ADJUSTMENT, RÉGLAGE DE LA FIN DE COURSE D'OUVERTURE, EINSTELLUNG DES ÖFFNUNGS-ENDSCHALTERS, REGULACIÓN DEL FIN DE CARRERA DE APERTURA, AFSTELLING EINDAANSLAG OPENING.

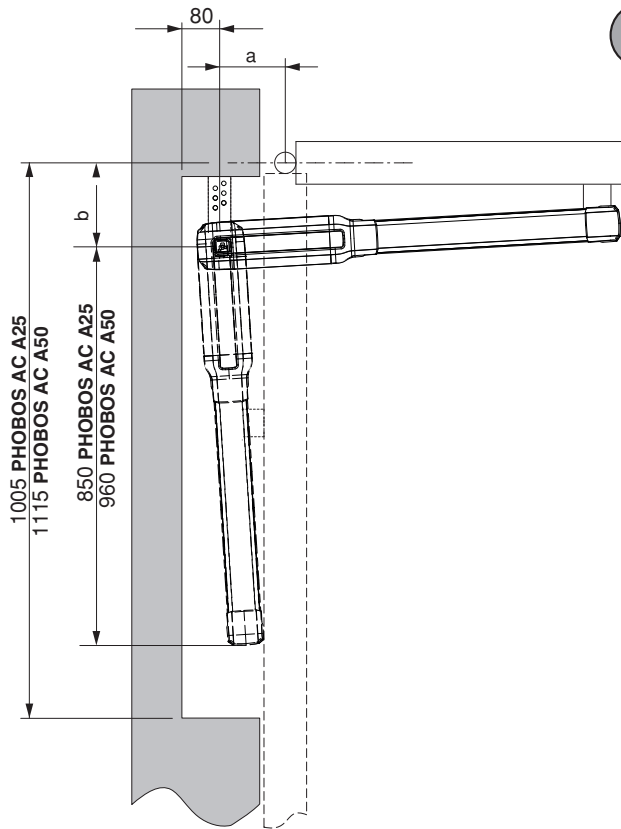
K



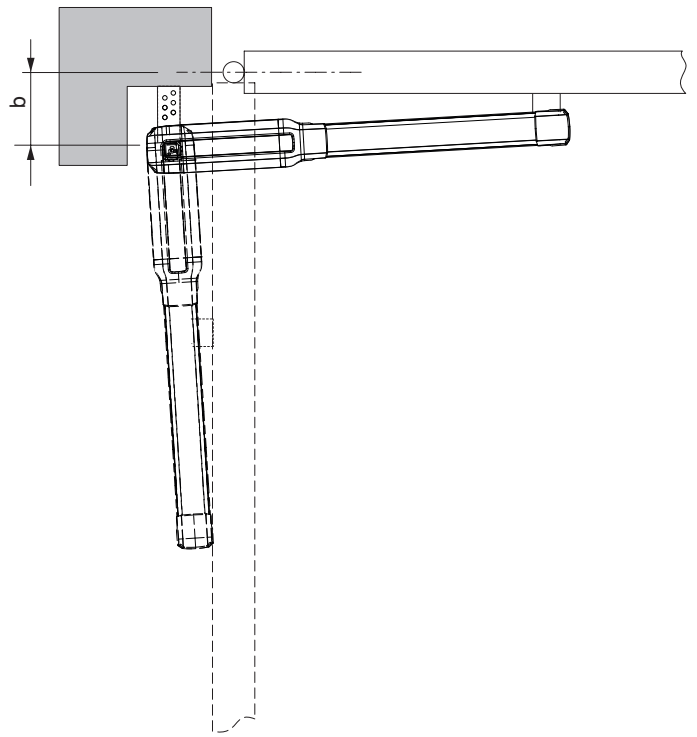
L



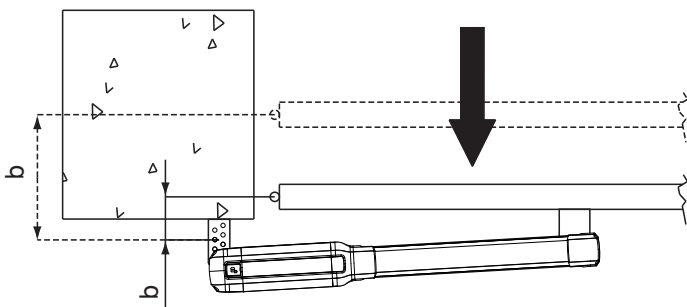
M



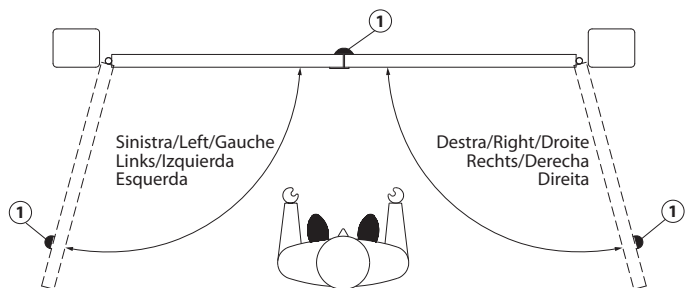
N



O



P





## INSTALLER WARNINGS

**WARNING! Important safety instructions. Carefully read and comply with all the warnings and instructions that come with the product as incorrect installation can cause injury to people and animals and damage to property. The warnings and instructions give important information regarding safety, installation, use and maintenance. Keep hold of instructions so that you can attach them to the technical file and keep them handy for future reference.**

### GENERAL SAFETY

This product has been designed and built solely for the purpose indicated herein. Uses other than those indicated herein might cause damage to the product and create a hazard.

- The units making up the machine and its installation must meet the requirements of the following European Directives, where applicable: 2004/108/EC, 2006/95/EC, 2006/42/EC, 89/106/EC, 99/05/EC and later amendments. For all countries outside the EEC, it is advisable to comply with the standards mentioned, in addition to any national standards in force, to achieve a good level of safety.
- The Manufacturer of this product (hereinafter referred to as the "Firm") disclaims all responsibility resulting from improper use or any use other than that for which the product has been designed, as indicated herein, as well as for failure to apply Good Practice in the construction of entry systems (doors, gates, etc.) and for deformation that could occur during use.
- Installation must be carried out by qualified personnel (professional installer, according to EN 12635), in compliance with Good Practice and current code.
- Before installing the product, make all structural changes required to produce safety gaps and to provide protection from or isolate all crushing, shearing and dragging hazard areas and danger zones in general in accordance with the provisions of standards EN 12604 and 12453 or any local installation standards. Check that the existing structure meets the necessary strength and stability requirements.
- Before commencing installation, check the product for damage.
- The Firm is not responsible for failure to apply Good Practice in the construction and maintenance of the doors, gates, etc. to be motorized, or for deformation that might occur during use.
- Make sure the stated temperature range is compatible with the site in which the automated system is due to be installed.
- Do not install this product in an explosive atmosphere: the presence of flammable fumes or gas constitutes a serious safety hazard.
- Disconnect the electricity supply before performing any work on the system. Also disconnect buffer batteries, if any are connected.
- Before connecting the power supply, make sure the product's ratings match the mains ratings and that a suitable residual current circuit breaker and overcurrent protection device have been installed upline from the electrical system. Have the automated system's mains power supply fitted with a switch or omnipolar thermal-magnetic circuit breaker with a contact separation that provide full disconnection under overvoltage category III conditions.
- Make sure that upline from the mains power supply there is a residual current circuit breaker that trips at no more than 0.03A as well as any other equipment required by code.
- Make sure the earth system has been installed correctly: earth all the metal parts belonging to the entry system (doors, gates, etc.) and all parts of the system featuring an earth terminal.
- Installation must be carried out using safety devices and controls that meet standards EN 12978 and EN 12453.
- Impact forces can be reduced by using deformable edges.
- In the event impact forces exceed the values laid down by the relevant standards, apply electro-sensitive or pressure-sensitive devices.
- Apply all safety devices (photocells, safety edges, etc.) required to keep the area free of impact, crushing, dragging and shearing hazards. Bear in mind the standards and directives in force, Good Practice criteria, intended use, the installation environment, the operating logic of the system and forces generated by the automated system.
- Apply all signs required by current code to identify hazardous areas (residual risks). All installations must be visibly identified in compliance with the provisions of standard EN 13241-1.
- Once installation is complete, apply a nameplate featuring the door/gate's data.
- This product cannot be installed on leaves incorporating doors (unless the motor can be activated only when the door is closed).
- If the automated system is installed at a height of less than 2.5 m or is accessible, the electrical and mechanical parts must be suitably protected.
- For roller shutter automation only
  - 1) The motor's moving parts must be installed at a height greater than 2.5 m above the floor or other surface from which they may be reached.
  - 2) The gearmotor must be installed in a segregated and suitably protected space so that it cannot be reached without the aid of tools.
- Install any fixed controls in a position where they will not cause a hazard, away from moving parts. More specifically, hold-to-run controls must be positioned within direct sight of the part being controlled and, unless they are key operated, must be installed at a height of at least 1.5 m and in a place where they cannot be reached by the public.
- Apply at least one warning light (flashing light) in a visible position, and also attach a Warning sign to the structure.
- Attach a label near the operating device, in a permanent fashion, with information on how to operate the automated system's manual release.
- Make sure that, during operation, mechanical risks are avoided or relevant protective measures taken and, more specifically, that nothing can be banged, crushed, caught or cut between the part being operated and surrounding parts.
- Once installation is complete, make sure the motor automation settings are correct and that the safety and release systems are working properly.
- Only use original spare parts for any maintenance or repair work. The Firm disclaims all responsibility for the correct operation and safety of the automated system if parts from other manufacturers are used.
- Do not make any modifications to the automated system's components unless explicitly authorized by the Firm.
- Instruct the system's user on what residual risks may be encountered, on the control systems that have been applied and on how to open the system manually in an emergency. Give the user guide to the end user.

-Dispose of packaging materials (plastic, cardboard, polystyrene, etc.) in accordance with the provisions of the laws in force. Keep nylon bags and polystyrene out of reach of children.

### WIRING

**WARNING!** For connection to the mains power supply, use: a multicore cable with a cross-sectional area of at least 5x1.5mm<sup>2</sup> or 4x1.5mm<sup>2</sup> when dealing with three-phase power supplies or 3x1.5mm<sup>2</sup> for single-phase supplies (by way of example, type H05 VV-F cable can be used with a cross-sectional area of 4x1.5mm<sup>2</sup>). To connect auxiliary equipment, use wires with a cross-sectional area of at least 0.5 mm<sup>2</sup>.

- Only use pushbuttons with a capacity of 10A-250V or more.
- Wires must be secured with additional fastening near the terminals (for example, using cable clamps) in order to keep live parts well separated from safety extra low voltage parts.
- During installation, the power cable must be stripped to allow the earth wire to be connected to the relevant terminal, while leaving the live wires as short as possible. The earth wire must be the last to be pulled taut in the event the cable's fastening device comes loose.

**WARNING!** safety extra low voltage wires must be kept physically separate from low voltage wires.

Only qualified personnel (professional installer) should be allowed to access live parts.

### CHECKING THE AUTOMATED SYSTEM AND MAINTENANCE

Before the automated system is finally put into operation, and during maintenance work, perform the following checks meticulously:

- Make sure all components are fastened securely.
- Check starting and stopping operations in the case of manual control.
- Check the logic for normal or personalized operation.
- For sliding gates only: check that the rack and pinion mesh correctly with 2 mm of play along the full length of the rack; keep the track the gate slides on clean and free of debris at all times.
- For sliding gates and doors only: make sure the gate's running track is straight and horizontal and that the wheels are strong enough to take the weight of the gate.
- For cantilever sliding gates only: make sure there is no dipping or swinging during operation.
- For swing gates only: make sure the leaves' axis of rotation is perfectly vertical.
- For barriers only: before opening the door, the spring must be decompressed (vertical boom).
- Check that all safety devices (photocells, safety edges, etc.) are working properly and that the anti-crush safety device is set correctly, making sure that the force of impact measured at the points provided for by standard EN 12445 is lower than the value laid down by standard EN 12453.
- Impact forces can be reduced by using deformable edges.
- Make sure that the emergency operation works, where this feature is provided.
- Check opening and closing operations with the control devices applied.
- Check that electrical connections and cabling are intact, making extra sure that insulating sheaths and cable glands are undamaged.
- While performing maintenance, clean the photocells' optics.
- When the automated system is out of service for any length of time, activate the emergency release (see "EMERGENCY OPERATION" section) so that the operated part is made idle, thus allowing the gate to be opened and closed manually.
- If the power cord is damaged, it must be replaced by the manufacturer or their technical assistance department or other such qualified person to avoid any risk.
- If "D" type devices are installed (as defined by EN12453), connect in unverified mode, foresee mandatory maintenance at least every six months
- The maintenance described above must be repeated at least once yearly or at shorter intervals where site or installation conditions make this necessary.

### WARNING!

Remember that the drive is designed to make the gate/door easier to use and will not solve problems as a result of defective or poorly performed installation or lack of maintenance



### SCRAPPING

Materials must be disposed of in accordance with the regulations in force. Do not throw away your discarded equipment or used batteries with household waste. You are responsible for taking all your waste electrical and electronic equipment to a suitable recycling centre.

### DISMANTLING

If the automated system is being dismantled in order to be reassembled at another site, you are required to:

- Cut off the power and disconnect the whole electrical system.
- Remove the actuator from the base it is mounted on.
- Remove all the installation's components.
- See to the replacement of any components that cannot be removed or happen to be damaged.

**DECLARATIONS OF CONFORMITY CAN BE FOUND AT bft.ro  
INSTRUCTIONS FOR USE AND ASSEMBLY CAN BE FOUND IN THE DOWN-LOAD SECTION.**

**Anything that is not explicitly provided for in the installation manual is not allowed. The operator's proper operation can only be guaranteed if the information given is complied with. The Firm shall not be answerable for damage caused by failure to comply with the instructions featured herein.**

**While we will not alter the product's essential features, the Firm reserves the right, at any time, to make those changes deemed opportune to improve the product from a technical, design or commercial point of view, and will not be required to update this publication accordingly.**

## 2) GENERAL INFORMATION

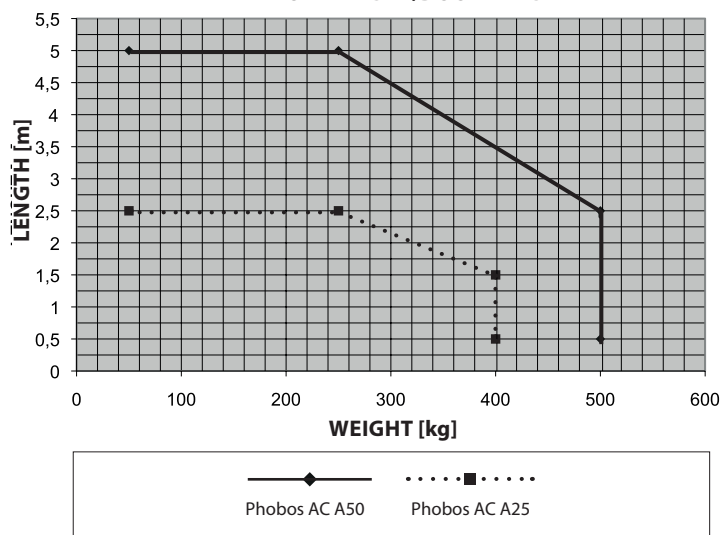
Electromechanical operator designed to automate residential-type gates. The gearmotor keeps the gate locked on closing and on opening, without needing an electric lock for leaves up to 3 m long. For leaves ranging between 3 m and 5 m long, the electric lock becomes indispensable. The operator is provided with an electronic torque limiter. It must be controlled by an electronic control panel provided with torque setting. The operator is provided with an obstacle detection system complying with EN12453 and EN 12445 standards.

## 3) TECHNICAL SPECIFICATIONS

Power supply	single-phase 220-230V~ ±10% 50/60Hz(*)
Absorbed power	210 W
Absorbed current	0,8 A
Insulation class	F
Thermal protection	110 °C (self-resetting)
Pushing and towing force	2000 N (~200 kg)
Speed	approx. 15 mm/s
Manual manoeuvre	Personalized release key
Environmental conditions	from -20 °C to + 55 °C
Type of use	semi-intensive
Maximum leaf length without electric lock	1,8 m PHOBOS AC A25 3 m PHOBOS AC A50
Maximum leaf length with electric lock	2,5 m PHOBOS AC A25 5 m PHOBOS AC A50
Maximum leaf weight	4000 N (~400 kg) PHOBOS AC A25 5000 N (~500 kg) PHOBOS AC A50
Degree of protection	IP X4
Operator weight	50N (~5kg) PHOBOS AC A25 77N (~7,7kg) PHOBOS AC A50
Dimensions	See Fig. L
Lubrication	permanent grease

(\*other voltages to order).

**MAXIMUM LENGTH/DOOR WEIGHT**



## 4) TUBE ARRANGEMENT Fig. A

Install the electrical system referring to the standards in force for electrical systems CEI 64-8, IEC 364, harmonization document HD 384 and other national standards.

**Warning!** For actuator wiring and accessory connection, refer to the relevant instruction manuals. The control panels and accessories must be suitable for use and conform to current standards.

Should the opening or closing direction be incorrect, it is possible to invert the connections of operation 1 and operation 2 on the control board. The first command after an interruption of the power supply should be an opening manoeuvre.

## 5) INSTALLATION DIAGRAM Fig. B

- P rear bracket fastening to pillar
- F front fork fastening leaf
- a-b distances for determining bracket "P" fastening point
- C value of fastening centre-to-centre distance

- D gate length
- X distance from gate axis to corner of pillar
- S half door thickness
- Z value always greater than 45 mm (b - X)
- kg max. weight of leaf
- α leaf opening angle

## 6) PILLAR FASTENINGS INSTALLATION DISTANCES Fig. B Rif. 2 - 3

### 6.1) How to read the installation distance tables

Select "a" and "b" according to the angle in degrees α that the gate has to open. The optimum "a" and "b" values for 92° opening at constant speed are highlighted.

If there is too large a difference between "a" and "b", the leaf will not travel smoothly and the pushing or pulling force will fluctuate during its stroke. To respect the opening speed and ensure the controller operates correctly, it is best to keep the difference between "a" and "b" as low as possible. The table has been worked out for A50 mm (PHOBOS AC A50), 20 mm (PHOBOS AC A25) thick medium-size gate. Always check that there is no possible collision between the gate and the operator.

## 7) FASTENING OF FITTINGS TO PILLAR Fig. C

### 8) POWER CABLE Fig. D

The board power supply cable must be of the H 05 RN-F type or equivalent. The equivalent cable must guarantee:

- permanent outside use
- maximum temperature on the cable surface of +50° C
- minimum temperature of -25° C

The wiring of the terminal board must be carried out as shown in Fig. D Ref. 3:

**MOT OP** = operation 1

**MOT CL** = operation 2

⊕ **GND** = earthing

**MOT COM** = common

Position the cable sheath so that O ring "K" is inserted in its housing in the base and, leaving the sheath protrude by about J=5 mm (as shown in Fig. D Ref. 3), close the hatch and fix it by means of the 3 screws.

If the motor vibrates but does not rotate, the problem may be:

- Incorrect wiring (see wiring diagram)
- If the leaf moves in the wrong direction, swap over the motor's start connections in the control unit.

The first command following a mains power outage should be open STOP LEAVES.

## 9) ATTACHING MOTOR TO FASTENING ON PILLAR Fig. E

## 10) MAXIMUM TILT Fig. F

## 11) CORRECT INSTALLATION Fig. G

Correct installation entails maintaining a rod stroke margin of approx. 5-10 mm to avoid possible trouble with operation. **IMPORTANT: THE FRONT BRACKET MUST BE FITTED WITH THE SLOTS FACING UP (FIG.G RIF.1).**

## 12) FASTENING OF FITTINGS TO LEAF Fig. H

**IMPORTANT:** the front bracket must be fitted with the slots facing up (Fig. G Ref. 1). Line up the front and rear brackets as shown in Fig. H Ref. 1.

## 13) OPERATOR ATTACHMENT ON DOOR Fig. I

## 14) ADJUSTMENT OF THE LIMITING DEVICES Fig. J

The correct adjustment of the limiting devices is obtained by setting the working time on the control board correctly. Refer to the instructions of the control board.

**WARNING:** If the time set on the control unit is insufficient, the leaves might not complete their run.

Slightly increase the working time on the control unit.

## 15) DIMENSIONS Fig. L

## 16) TIPS FOR SPECIAL INSTALLATIONS Fig. M, N, O.

With the leaf fully open, create a recess to accommodate the operator.

**Fig. M** gives the minimum dimensions of the recess for the various **PHOBOS AC A25 - PHOBOS AC A50** models.

If distance "b" is greater than the values given in the installation tables:

- create a recess in the pillar **Fig. N**
- move the leaf so that it is flush with the pillar **Fig. O**.

## 17) LEAF STOPS AT GROUND LEVEL

For the actuator to work properly, it is advisable to use stops "Fig. P Rif. 1" to stop the leaves both when they are open and closed, as illustrated in **Fig. P**. The leaf stops must prevent the actuator rod from reaching the end of its travel.

## 18) MANUAL OPENING (See USER GUIDE -FIG.Y-).

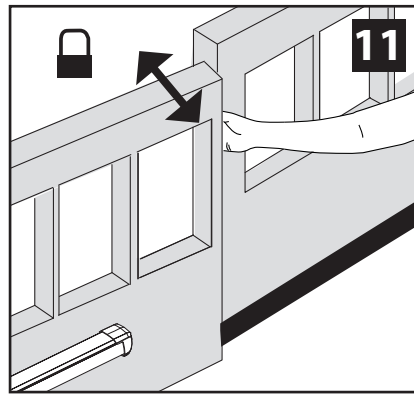
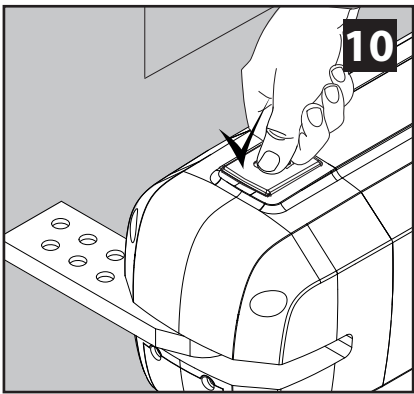
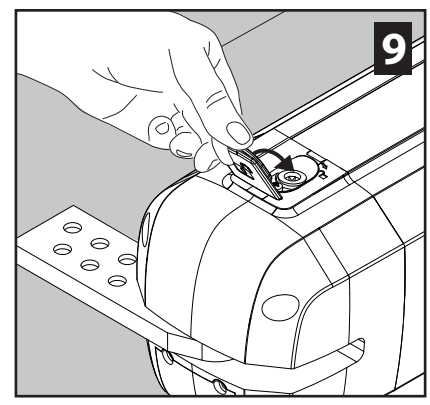
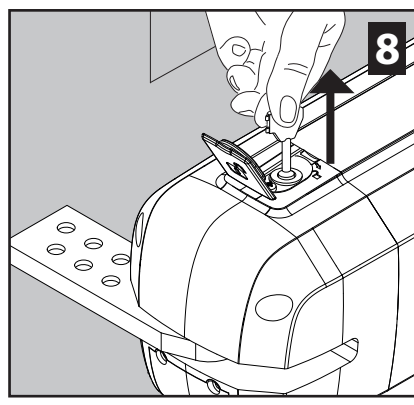
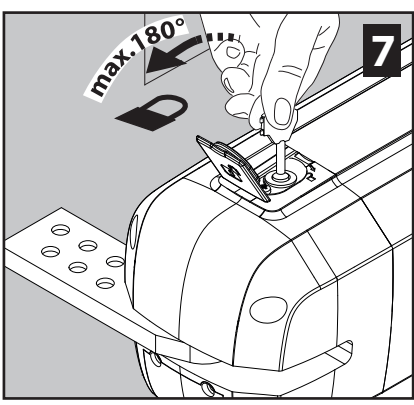
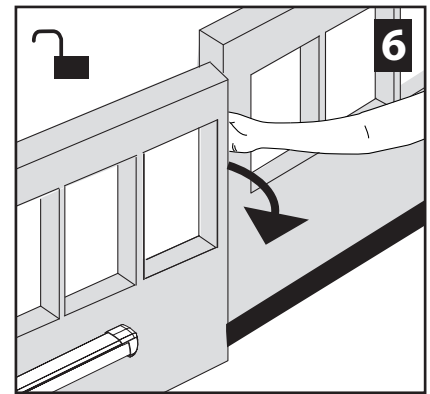
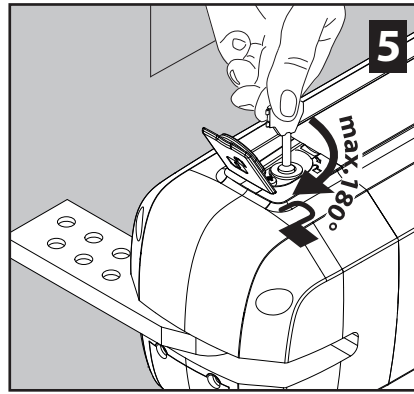
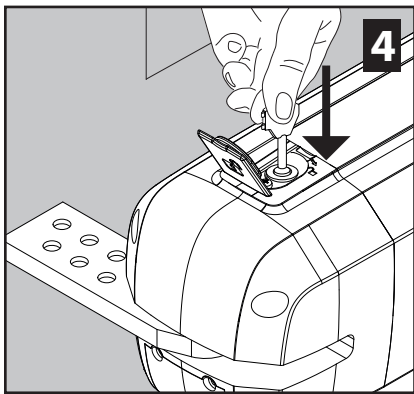
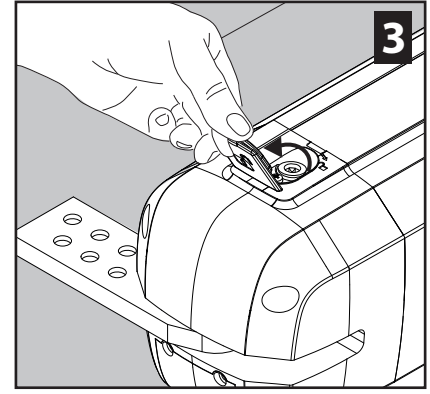
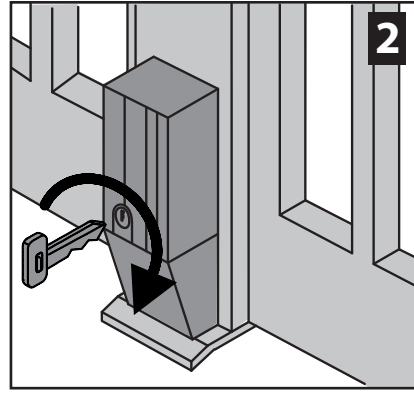
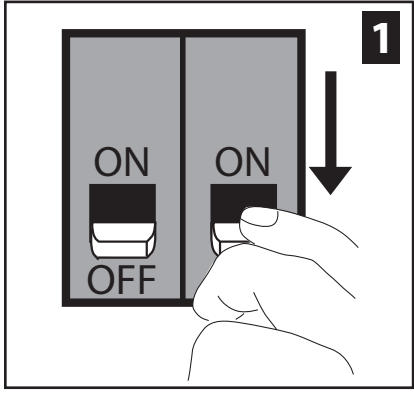
## 19) ELECTRIC LOCK

**WARNING: In the case of leaves longer than 3m, it is indispensable to install a solenoid latch.**

**For electric lock connection, the optional board is required (refer to the appropriate instruction).**

**FIG. Y**

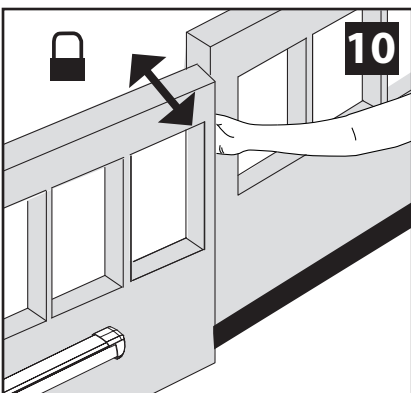
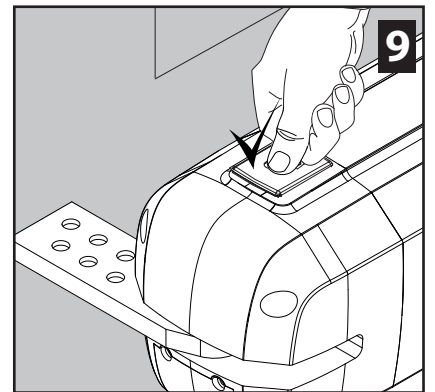
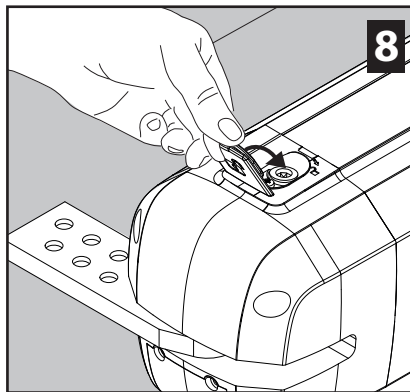
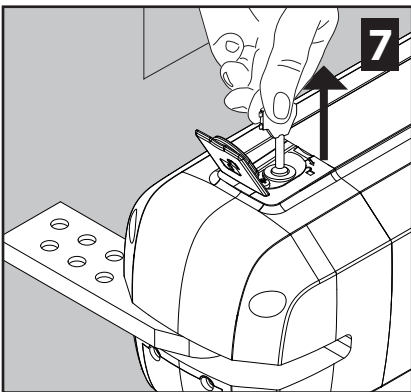
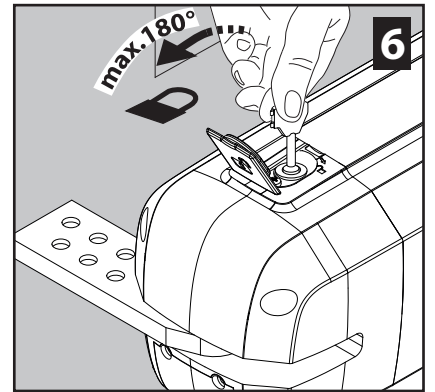
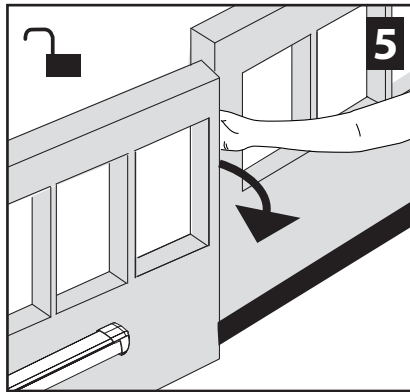
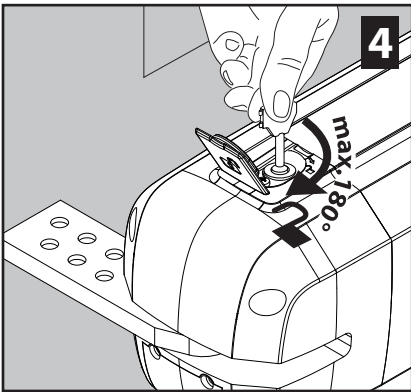
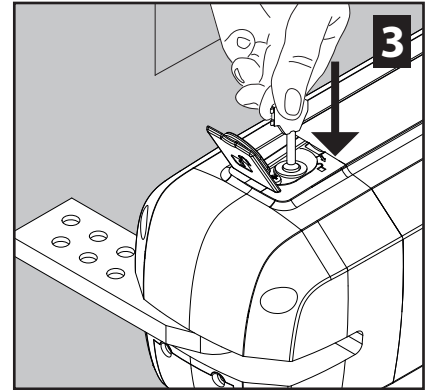
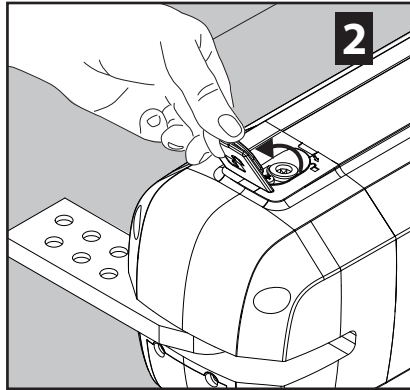
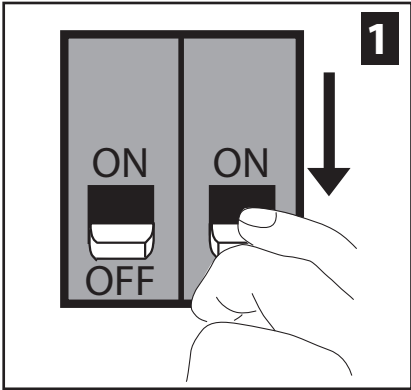
Con Elettroserratura, With electric lock, Avec serrure électrique, Mit Elektroschloß, Con electrocerradura, Met elektrische sluiting.





# FIG. Y

Senza Elettroserratura, Without electric lock, Sans serrure électrique, Ohne Elektroschloß, Sin electrocerradura, Zonder elektrische sluiting.



## AVVERTENZE PER L'UTILIZZATORE ( I )

**ATTENZIONE:** per la vostra sicurezza dopo l'attivazione dello sblocco ribloccare l'anta nella posizione totalmente aperta o totalmente chiusa, verificare tale posizione dell'anta prima di qualsiasi attivazione dell'automatismo.

**ATTENZIONE!** Important istruzioni di sicurezza. Leggere e seguire attentamente le Avvertenze e le Istruzioni che accompagnano il prodotto poiché un uso improprio può causare danni a persone, animali o cose. Conservare le istruzioni per consultazioni future e trasmetterle ad eventuali subentranti nell'uso dell'impianto.

**Questo prodotto dovrà essere destinato solo all'uso per il quale è stato espressamente installato. Ogni altro uso è da considerarsi improprio e quindi pericoloso. Il costruttore non può essere considerato responsabile per eventuali danni causati da usi impropri, erronei e irragionevoli.**

### SICUREZZA GENERALE

Nel ringraziarVi per la preferenza accordata a questo prodotto, la Ditta è certa che da esso otterrete le prestazioni necessarie al Vostro uso.

Questo prodotto risponde alle norme riconosciute della tecnica e della disposizioni relative alla sicurezza se correttamente installato da personale qualificato ed esperto (installatore professionale).

L'automazione, se installata ed utilizzata correttamente, soddisfa gli standard di sicurezza nell'uso. Tuttavia è opportuno osservare alcune regole di comportamento per evitare inconvenienti accidentali:

- Tenere bambini, persone e cose fuori dal raggio d'azione dell'automazione, in particolare durante il movimento.
- Non permettere a bambini di giocare o sostare nel raggio di azione dell'automazione.
- L'apparecchio può essere utilizzato da bambini di età non inferiore a 8 anni e da persone con ridotte capacità fisiche, sensoriali o mentali, o prive di esperienza o della necessaria conoscenza, purché sotto sorveglianza oppure dopo che le stesse abbiano ricevuto istruzioni relative all'uso sicuro dell'apparecchio e alla comprensione dei pericoli ad esso inerenti. I bambini non devono giocare con l'apparecchio. La pulizia e la manutenzione destinata ad essere effettuata dall'utilizzatore non deve essere effettuata da bambini senza sorveglianza.
- I bambini devono essere sorvegliati per sincerarsi che non giochino con l'apparecchio. Non permettere ai bambini di giocare con i controlli fissi. Tenere i telecomandi lontani dai bambini.
- Evitare di operare in prossimità delle cerniere o organi meccanici in movimento.
- Non contrastare il movimento dell'anta e non tentare di aprire manualmente la porta se non è stato sbloccato l'attuatore con l'apposita manopola di sblocco.
- Non entrare nel raggio di azione della porta o cancello motorizzati durante il loro movimento.
- Non lasciare radiocomandi o altri dispositivi di comando alla portata dei bambini onde evitare azionamenti involontari.
- L'attivazione dello sblocco manuale potrebbe causare movimenti incontrollati della porta se in presenza di guasti meccanici o di condizioni di squilibrio.
- In caso di apritapparelle: sorvegliare la tapparella in movimento e tenere lontano le persone finché non è completamente chiusa. Porre cura quando si aziona lo sblocco se presente, poiché una tapparella aperta potrebbe cadere rapidamente in presenza di usura o rotture.

- La rottura o l'usura di organi meccanici della porta (parte guidata), quali ad esempio cavi, molle, supporti, cardini, guide.. potrebbe generare pericoli. Far controllare periodicamente l'impianto da personale qualificato ed esperto (installatore professionale) secondo quanto indicato dall'installatore o dal costruttore della porta.

- Per ogni operazione di pulizia esterna, togliere l'alimentazione di rete.

- Tenere pulite le ottiche delle fotocellule ed i dispositivi di segnalazione luminosa. Controllare che rami ed arbusti non disturbino i dispositivi di sicurezza.

- Non utilizzare l'automatismo se necessita di interventi di riparazione. In caso di guasto o di malfunzionamento dell'automazione, togliere l'alimentazione di rete sull'automazione, astenersi da qualsiasi tentativo di riparazione o intervento diretto e rivolgersi solo a personale qualificato ed esperto (installatore professionale) per la necessaria riparazione o manutenzione. Per consentire l'accesso, attivare lo sblocco di emergenza (se presente).

- Per qualsiasi intervento diretto sull'automazione o sull'impianto non previsto dal presente manuale, avvalersi di personale qualificato ed esperto (installatore professionale).

- Con frequenza almeno annuale far verificare l'integrità e il corretto funzionamento dell'automazione da personale qualificato ed esperto (installatore professionale), in particolare di tutti i dispositivi di sicurezza.

- Gli interventi d'installazione, manutenzione e riparazione devono essere documentati e la relativa documentazione tenuta a disposizione dell'utilizzatore.

- Il mancato rispetto di quanto sopra può creare situazioni di pericolo.



### DEMOLIZIONE

L'eliminazione dei materiali va fatta rispettando le norme vigenti. Non gettate il vostro apparecchio scartato, le pile o le batterie usate nei rifiuti domestici. Avete la responsabilità di restituire tutti i vostri rifiuti da apparecchiature elettriche o elettroniche lasciandoli in un punto di raccolta dedicato al loro riciclo.

**Tutto quello che non è espressamente previsto nel manuale d'uso, non è permesso. Il buon funzionamento dell'operatore è garantito solo se vengono rispettate le prescrizioni riportate in questo manuale. La Ditta non risponde dei danni causati dall'inosservanza delle indicazioni riportate in questo manuale.**

**Lasciando inalterate le caratteristiche essenziali del prodotto, la Ditta si riserva di apportare in qualunque momento le modifiche che essa ritiene convenienti per migliorare tecnicamente, costruttivamente e commercialmente il prodotto, senza impegnarsi ad aggiornare la presente pubblicazione.**

## USER WARNINGS (GB)

**WARNING: for your safety, after unlocking the leaf, relock it in the fully open or closed position and check that the leaf is in said position before activating the device.**

**WARNING! Important safety instructions. Carefully read and comply with the Warnings and Instructions that come with the product as improper use can cause injury to people and animals and damage to property. Keep the instructions for future reference and hand them on to any new users. This product is meant to be used only for the pur-**



**pose for which it was explicitly installed. Any other use constitutes improper use and, consequently, is hazardous. The manufacturer cannot be held liable for any damage as a result of improper, incorrect or unreasonable use.**

### GENERAL SAFETY

Thank you for choosing this product. The Firm is confident that its performance will meet your operating needs.

This product meets recognized technical standards and complies with safety provisions when installed correctly by qualified, expert personnel (professional installer).

If installed and used correctly, the automated system will meet operating safety standards. Nonetheless, it is advisable to observe certain rules of behaviour so that accidental problems can be avoided:

- Keep adults, children and property out of range of the automated system, especially while it is moving.
- Do not allow children to play or stand within range of the automated system.
- The unit can be used by children over 8 years old and by people with reduced physical, sensory or mental capabilities or with no experience or necessary knowledge on condition they are supervised or trained about the safe use of the equipment and understand the risks involved. Children must not play with the unit. Cleaning and maintenance must not be performed by unsupervised children.
- Children must be supervised to ensure they do not play with the device. Do not allow children to play with the fixed controls. Keep remote controls out of reach of children.
- Do not work near hinges or moving mechanical parts.
- Do not hinder the leaf's movement and do not attempt to open the door manually unless the actuator has been released with the relevant release knob.
- Keep out of range of the motorized door or gate while they are moving.
- Keep remote controls or other control devices out of reach of children in order to avoid the automated system being operated inadvertently.
- The manual release's activation could result in uncontrolled door movements if there are mechanical faults or loss of balance.
- When using roller shutter openers: keep an eye on the roller shutter while it is moving and keep people away until it has closed completely. Exercise care when activating the release, if such a device is fitted, as an open shutter could drop quickly in the event of wear or breakage.
- The breakage or wear of any mechanical parts of the door (operated part), such as cables, springs, supports, hinges, guides..., may generate a hazard. Have the system checked by qualified, expert personnel (professional installer) at regular intervals according to the instructions issued by the installer or manufacturer of the door.
- When cleaning the outside, always cut off mains power.
- Keep the photocells' optics and illuminating indicator devices clean. Check that no branches or shrubs interfere with the safety devices.
- Do not use the automated system if it is in need of repair. In the event the automated system breaks down or malfunctions, cut off mains power to the system; do not attempt to repair or perform any other work to rectify the fault yourself and instead call in qualified, expert personnel (professional installer) to perform the necessary repairs or maintenance. To allow access, activate the emergency release (where fitted).

- If any part of the automated system requires direct work of any kind that is not contemplated herein, employ the services of qualified, expert personnel (professional installer).
- At least once a year, have the automated system, and especially all safety devices, checked by qualified, expert personnel (professional installer) to make sure that it is undamaged and working properly.
- A record must be made of any installation, maintenance and repair work and the relevant documentation kept and made available to the user on request.
- Failure to comply with the above may result in hazardous situations.



### SCRAPPING

Materials must be disposed of in accordance with the regulations in force. Do not throw away your discarded equipment or used batteries with household waste. You are responsible for taking all your waste electrical and electronic equipment to a suitable recycling centre.

**Anything that is not explicitly provided for in the user guide is not allowed. The operator's proper operation can only be guaranteed if the instructions given herein are complied with. The Firm shall not be answerable for damage caused by failure to comply with the instructions featured herein. While we will not alter the product's essential features, the Firm reserves the right, at any time, to make those changes deemed opportune to improve the product from a technical, design or commercial point of view, and will not be required to update this publication accordingly.**

**Bft Spa**

Via Lago di Vico, 44 ITALY  
36015 Schio (VI)  
T +39 0445 69 65 11  
F +39 0445 69 65 22  
→www.bft-automation.com

**SPAIN**

**BFT GROUP ITALIBERICA DE AUTOMATISMOS S.L.**  
08401 Granollers - (Barcelona)  
www.bftautomatismos.com

**FRANCE**

**AUTOMATISMES BFT FRANCE**  
69800 Saint Priest  
www.bft-france.com

**GERMANY**

**BFT TORANTRIEBSSYSTEME GmbH**  
90522 Oberasbach  
www.bft-torantriebe.de

**UNITED KINGDOM**

**BFT AUTOMATION UK LTD**  
Heaton Mersey, Stockport SK4 3GL  
www.bft.co.uk

**IRELAND**

**BFT AUTOMATION LTD**  
Dublin 12

**BENELUX**

**BFT BENELUX SA**  
1400 Nivelles  
www.bftbenelux.be

**POLAND**

**BFT POLSKA SP. Z O.O.**  
05-091 ZĄBKÓW  
www.bft.pl

**CROATIA**

**BFT ADRIA D.O.O.**  
51218 Drazice (Rijeka)  
www.bft.hr

**PORTUGAL**

**BFT SA-COMERCIO DE AUTOMATISMOS E MATERIAL DE SEGURANCIA**  
3026-901 Coimbra  
www.bftportugal.com

**CZECH REPUBLIC**

**BFT CZ S.R.O.**  
Praha  
www.bft.it

**TURKEY**

**BFT OTOMATIK KAPI SISTEMELERİ SANAYİ VE**  
İstanbul  
www.bftotomasyon.com.tr

**RUSSIA**

**BFT RUSSIA**  
111020 Moscow  
www.bfttrus.ru

**AUSTRALIA**

**BFT AUTOMATION AUSTRALIA PTY LTD**  
Wetherill Park (Sydney)  
www.bftaustralia.com.au

**U.S.A.**

**BFT USA**  
Boca Raton  
www.bft-usa.com

**CHINA**

**BFT CHINA**  
Shanghai 200072  
www.bft-china.cn

**UAE**

**BFT Middle East FZCO**  
Dubai