



Be ahead



# PHOBOS AC B

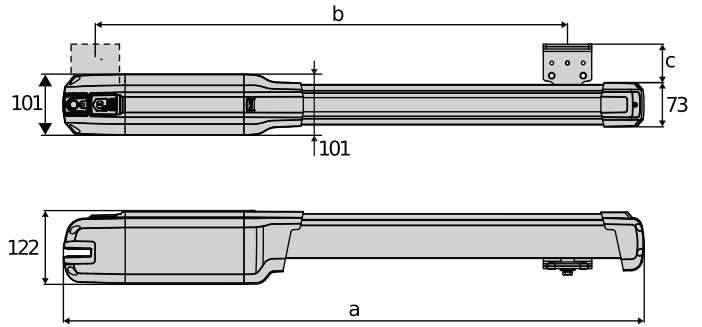




# PHOBOS AC B

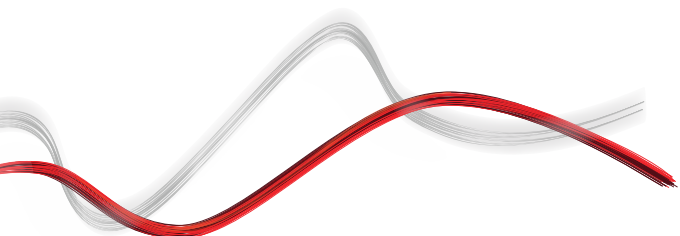


## Electromechanical automation systems for swing gates



	a	b	c
<b>PHOBOS AC B 25</b>	810	Cu MAX 310	63
<b>PHOBOS AC B 50</b>	960	Cu MAX 470	98

	PHOBOS AC B25	PHOBOS AC B50
Board power supply	230 V	230 V
Control unit	RIGEL 6	RIGEL 6
Operator weight	5 kg	7,7 kg
Operator type	electromechanically operated swing gates	electromechanically operated swing gates
Max. weight of door/gate wing	400 kg	500 kg
Max. width of door/gate wing	2,5 m	5 m
Max. length gate panel without electric lock	1,8 m	3 m
Motor voltage	230 V	230 V
Power consumption	210 W	210 W
Thrust and traction force	2000 N	2000 N
Useful rod stroke	360 mm	470 mm
Maximum angle	119 °	130 °
Movement time (90°, excluding slowdown, with maximum gate size and weight)	approx. 18 s	approx. 22 s
Type of limit switch	work time	work time
Slowdown	Yes	Yes
Impact reaction	Electronic clutch	Electronic clutch
Locking	Mechanical	Mechanical
Release	Personal key	Personal key
Max. opening cycles per hour	30	30



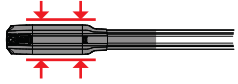


## Electromechanical automation systems for swing gates

### Relevant features



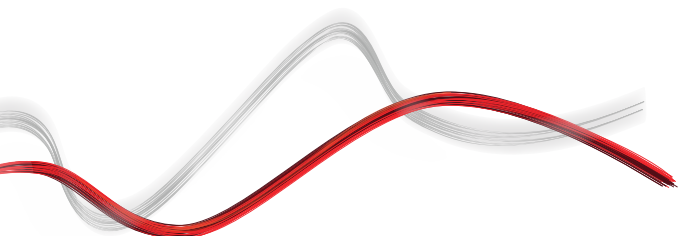
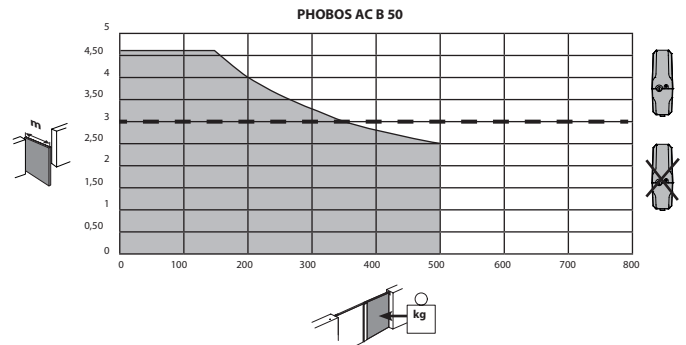
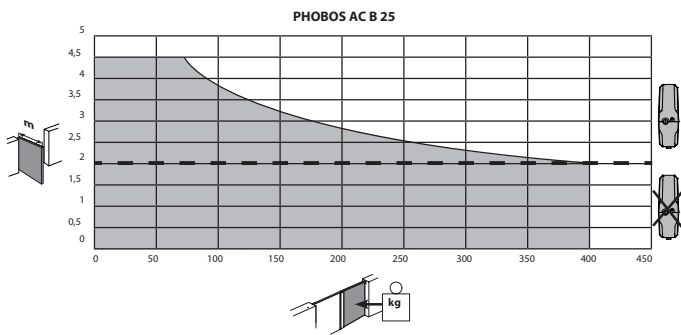
Exclusive Hi-Tech design in line with current style trends



One of the most compact operators on the market, it is versatile for use in a wide range of installation conditions, even with limited space or thick pillars.



The exclusive Easy Set App helps the installer to define the correct installation positions to achieve the required opening angle and fluid movement.





INFORMATION REGARDING THE PROTECTION OF THE INDUSTRIAL AND INTELLECTUAL PROPERTY RIGHTS OF BFT. BFT S.p.A. protects its industrial property by depositing trademarks, patents, models and designs. The intellectual property of BFT S.p.A. is protected by copyright law. BFT S.p.A. also protects its know-how by taking measures to protect the technical and commercial information inherent in its company and products. All the products in this catalogue are ORIGINAL BFT MODELS and only BFT S.p.A. is authorised to produce them and market them anywhere in the world. All the commercial names in this catalogue are owned by BFT S.p.A., and only BFT S.p.A. is authorised to use them in relation to the corresponding merchandise category. FALSIFIERS WILL BE PROCEEDED AGAINST IN ACCORDANCE WITH BOTH CIVIL AND CRIMINAL LAW. THESE CONDITIONS NOT ONLY GUARANTEE THE INTELLECTUAL PROPERTY RIGHTS OF BFT, BUT ALSO PROTECT CUSTOMERS BY GUARANTEEING THAT THE PRODUCTS THEY ARE PURCHASING ARE ORIGINAL BFT PRODUCTS RESULTING FROM STUDIES AND DESIGNS WITHIN THE BFT COMPANY.