



DC120 Technical Datasheet

Economic and compact rack and pinion door closer
for a wide range of applications

ASSA ABLOY
Opening Solutions

Experience a safer
and more open world

DC120

Rack and pinion door closer with link arm for single leaf doors, size 2/3/4



DC120 with standard link arm, silver, EV1

The DC120 series is an economical and compact rack and pinion door closer for a wide range of applications. It has ASSA ABLOY's renowned design style and comes complete with body and arm.

- Certified in compliance with EN 1154, size 2/3/4
- Suitable for fire and smoke protection doors (not for hold-open link arm)
- For single leaf doors up to 1100 mm width

Colours

- Silver, EV1
- White, similar to RAL 9016
- Black, similar to RAL 9005

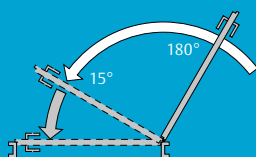
Features

- Can be used for left- and right-handed doors
- Closing and latch speeds can be raised and lowered independently
- Durable metal valves make adjustments reliable
- Consistent performance in a wide range of temperatures
- Backcheck functionality as standard protects frame and surrounding areas
- ASSA ABLOY design painted plastic cover with reversible logo tag included

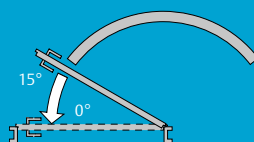
Product variants

- Standard link arm
- Hold-open link arm (cannot be used on fire doors)

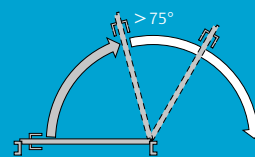
Independent adjustment via front-facing valves



Closing speed (S)



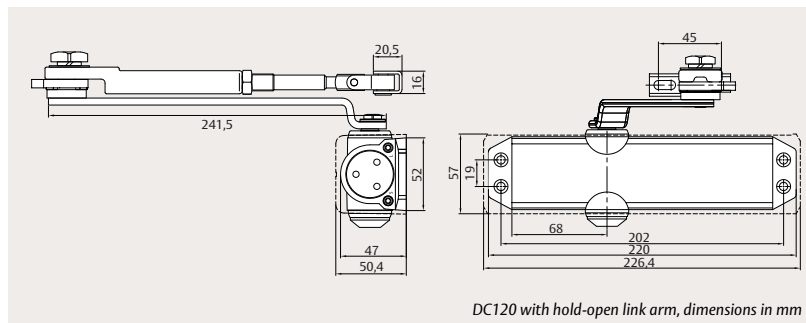
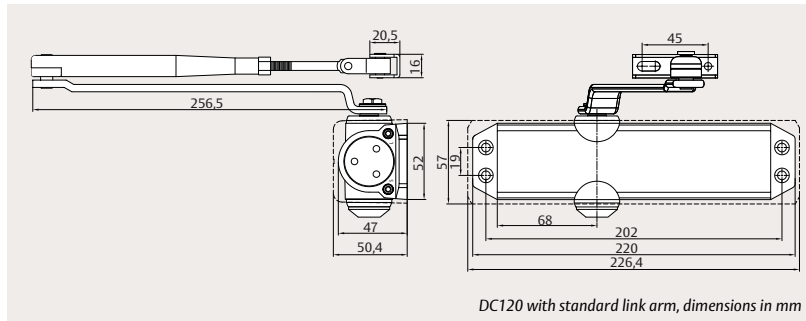
Latch speed (L)



Backcheck (BC)

DC120

Technical attributes and certification



Technical attributes

Closing force	EN size 2/3/4
Maximum leaf width	1100 mm
Closing speed (S)	Variable between 180° and 15°
Latch speed (L)	Variable between 15° and 0°
Backcheck (BC)	Variable above 75°
Maximum opening angle	~180° (115° for EN size 4)
Hold-open angle	75°-120°
Door system	Single leaf
Handing	Left- / right-handed
Mounting options	Leaf mounting on hinge side Frame mounting on non-hinge side
Force adjustment	No
Height adjustment	No
Corrosion resistance	Grade 3 (96 hours)
Dimensions (H x D x L)	57x 50.5 x 226.5 mm (52 x 47 x 220 mm without cover)



Visit assaabloy.com to download all relevant product literature



Certification and testing

Certified in compliance with	EN 1154
CE classification	4 8 2/3 1 1 3 3 8 4 1 1 3
CE / UKCA mark	Yes
Suitable for fire and smoke protection doors	Yes (≥EN3)
Third-party verified EPD	ISO 14025, EN 15804

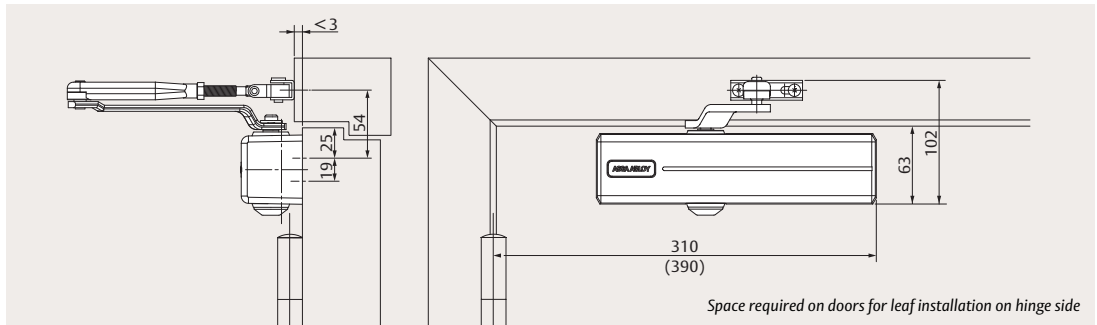


DC120

Space requirement and mounting dimensions

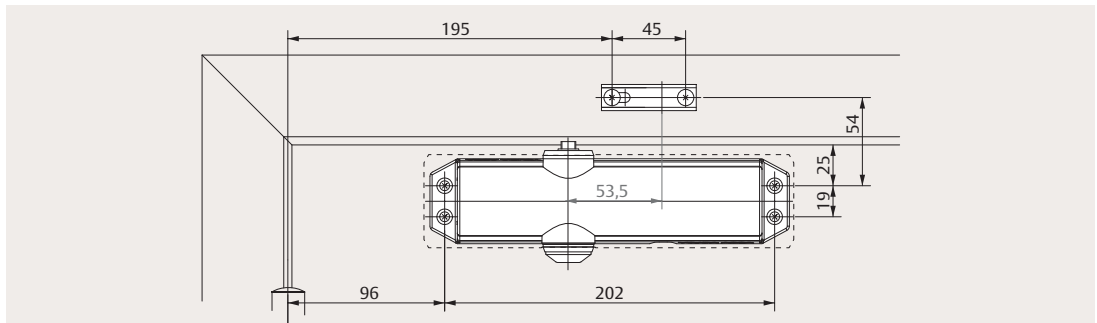


Scan QR code to watch installation video



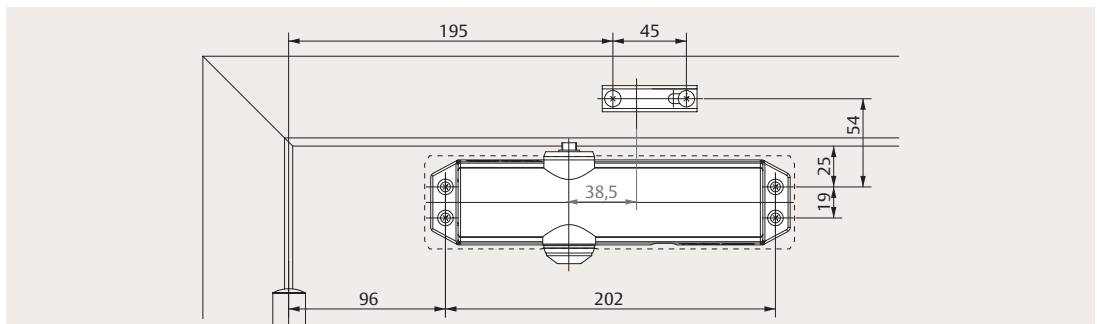
Direct leaf mounting EN size 2 on hinge side

The drawing illustrates installation on left-handed doors. For right-handed doors, it is the reverse.



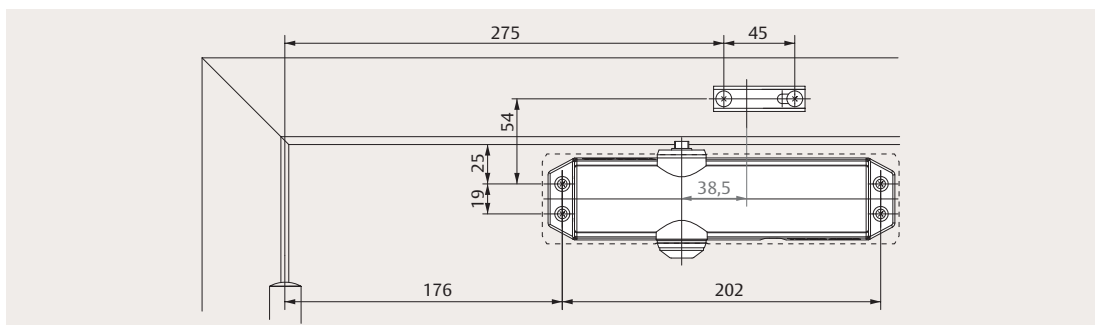
Direct leaf mounting EN size 3 on hinge side

The drawing illustrates installation on left-handed doors. For right-handed doors, it is the reverse.



Direct leaf mounting EN size 4 on hinge side

The drawing illustrates installation on left-handed doors. For right-handed doors, it is the reverse.



DC120

Order information



Door closers	
Standard link arm variant with cover	
DC120 with standard arm and cover, EN size 2/3/4, silver, EV1	DC120-----DEV1-
DC120 with standard arm and cover, EN size 2/3/4, white, similar to RAL 9016	DC120-----D9016
DC120 with standard arm and cover, EN size 2/3/4, black, similar to RAL 9005	DC120-----D9005
Hold-open link arm variant with cover	
DC120 with hold-open arm and cover, EN size 2/3/4, silver, EV1	DC120-1---DEV1-
DC120 with hold-open arm and cover, EN size 2/3/4, white, similar to RAL 9016	DC120-1---D9016
DC120 with hold-open arm and cover, EN size 2/3/4, black, similar to RAL 9005	DC120-1---D9005
Standard link arm variant without cover	
DC120 with standard arm, EN size 2/3/4, silver, EV1	DC120-----EV1-
DC120 with standard arm, EN size 2/3/4, white, similar to RAL 9016	DC120-----9016
DC120 with standard arm, EN size 2/3/4, black, similar to RAL 9005	DC120-----9005

DC120, silver



DC120, white



DC120, black



DC120-1, silver



DC120, silver, without cover



The ASSA ABLOY Group is the global leader in access solutions. Every day, we help billions of people experience a more open world.

ASSA ABLOY Opening Solutions leads the development within door openings and products for access solutions in homes, businesses and institutions. Our offering includes doors, door and window hardware, locks, access control and service.