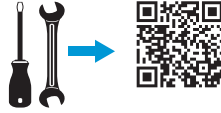


Installation Instructions

D001141726



www.abloy.com/dop

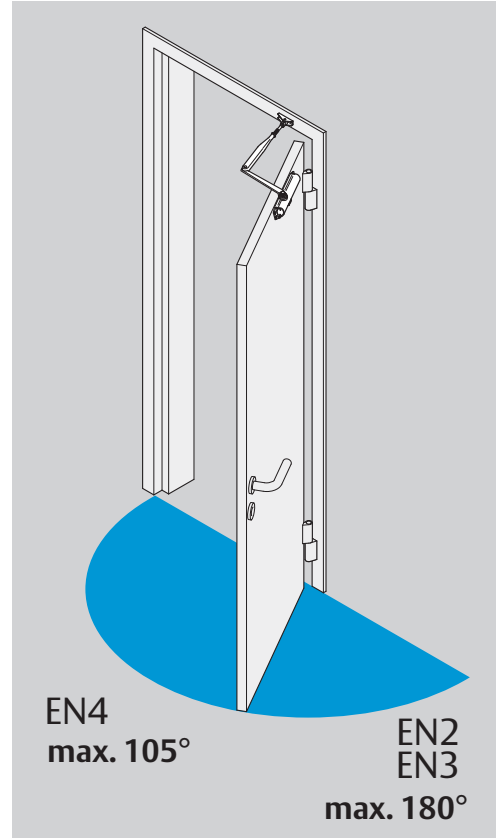
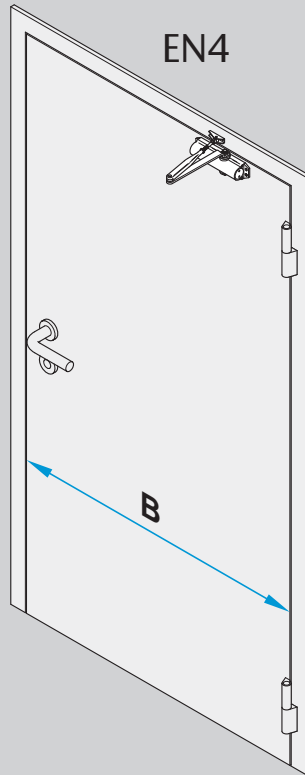


DoP

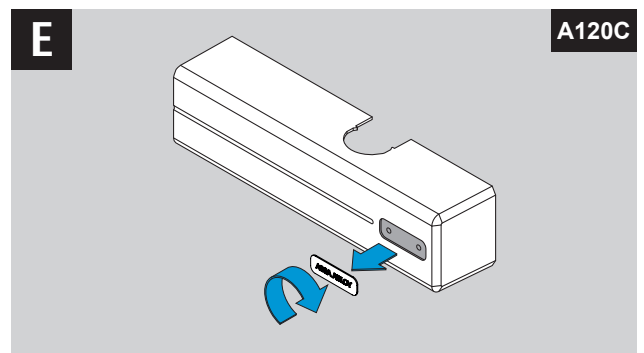
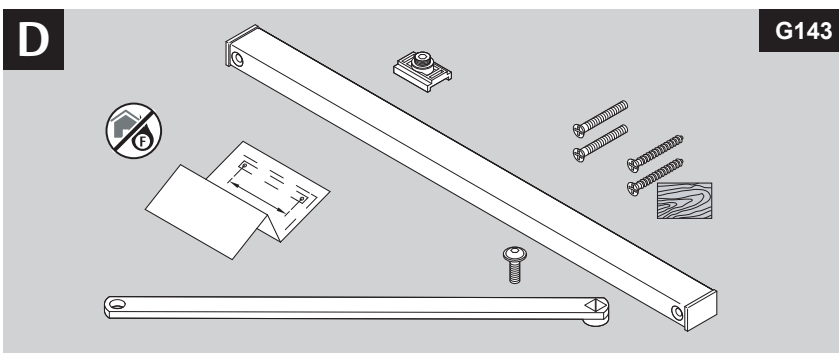
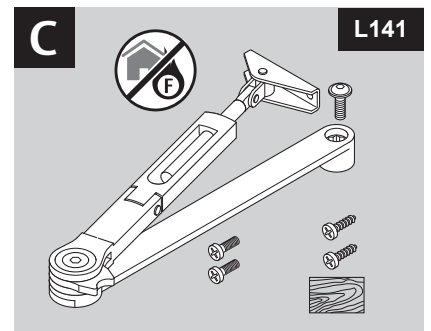
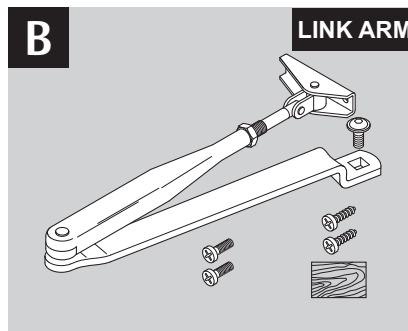
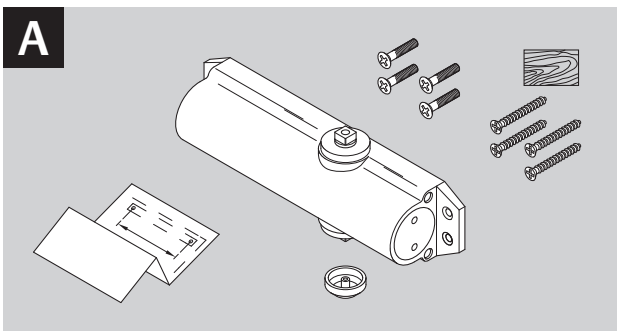
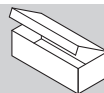


www.abloy.com/dop

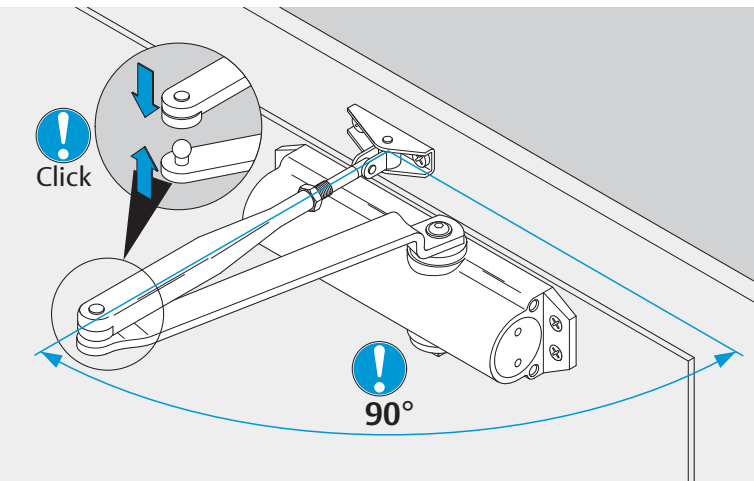
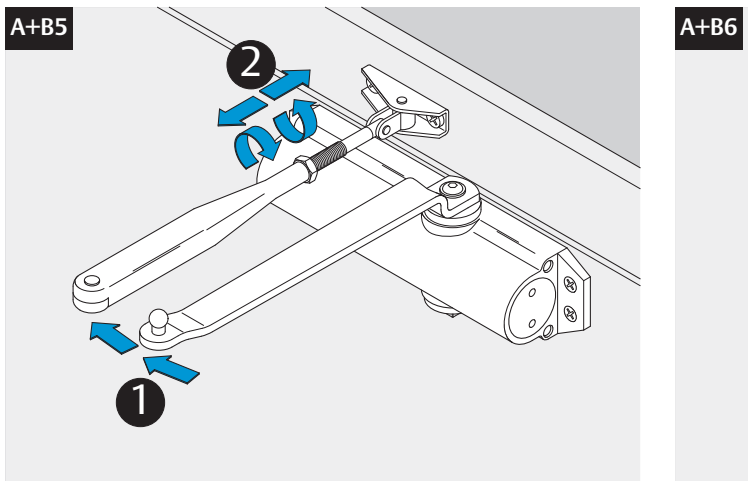
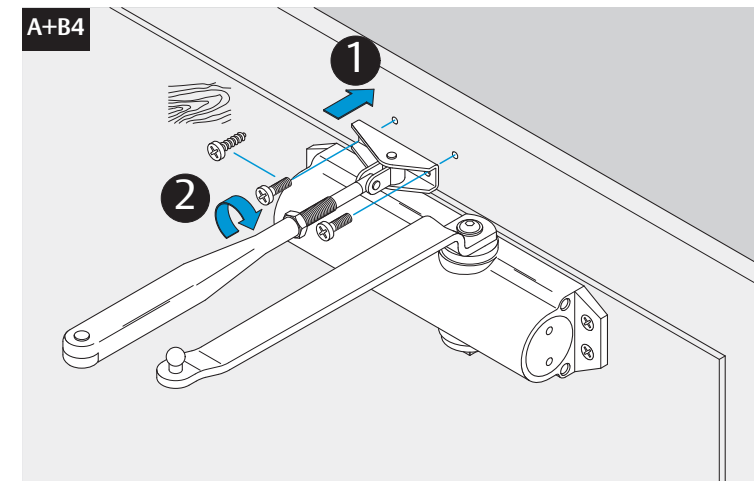
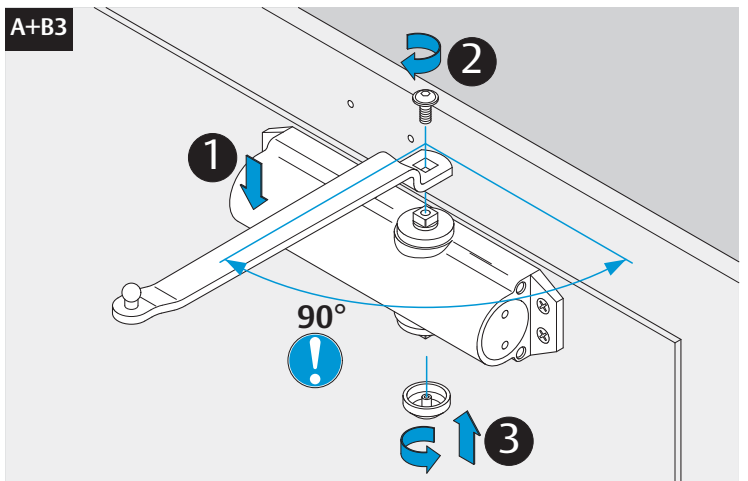
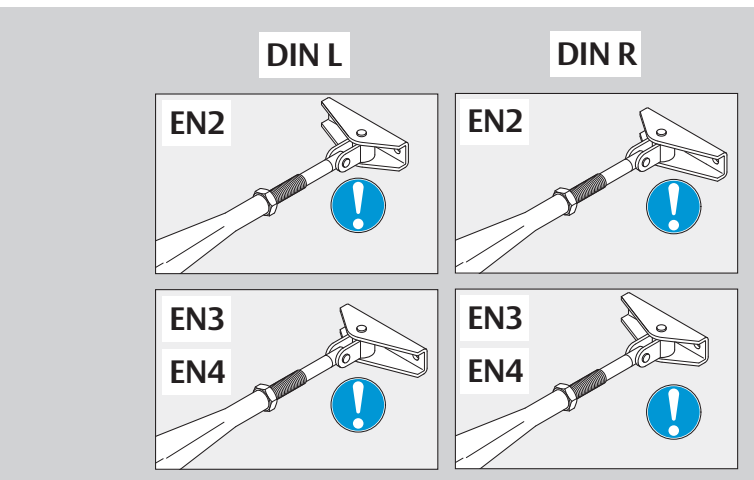
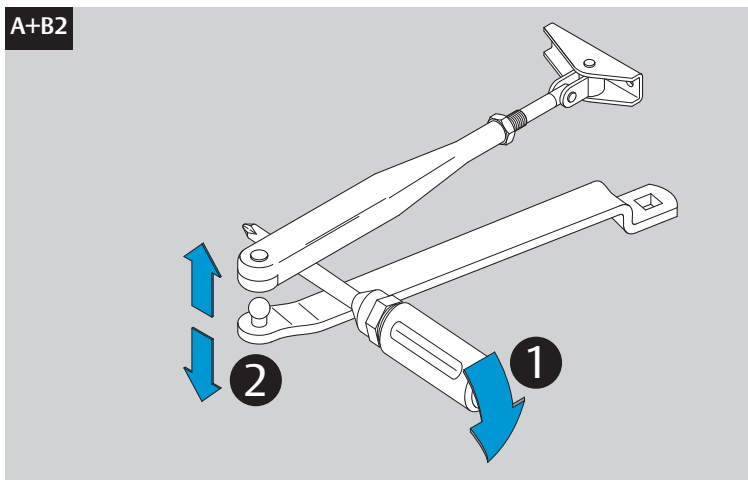
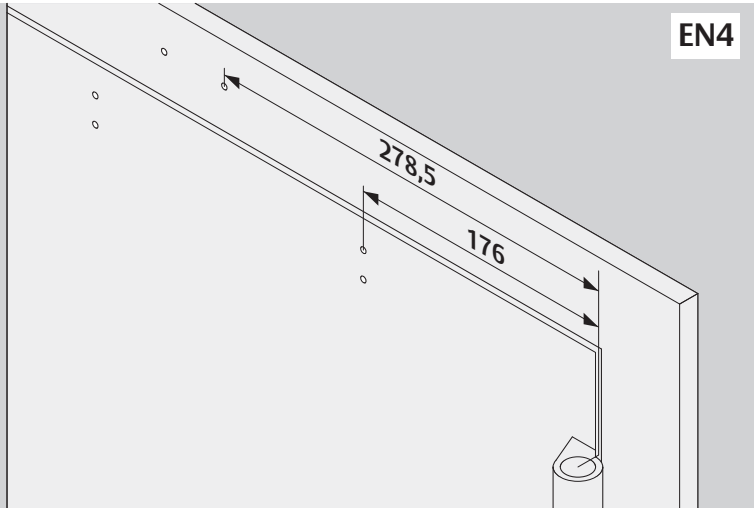
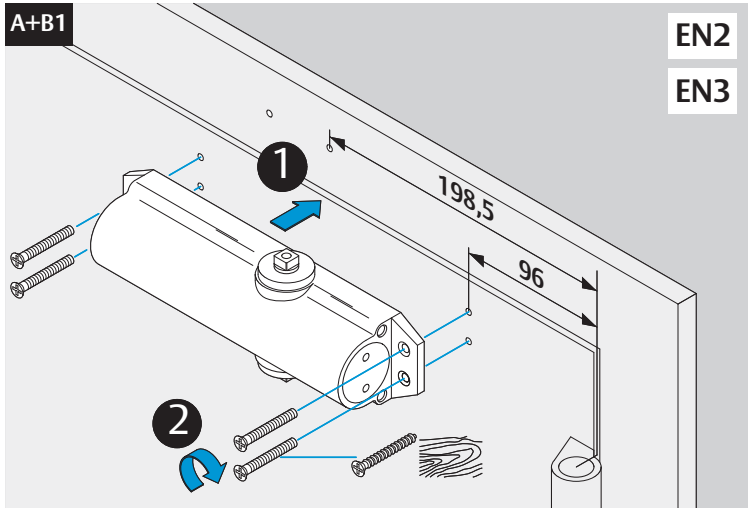
B	
EN2	≤ 850mm
EN3	≤ 950mm
EN4	≤ 1100mm

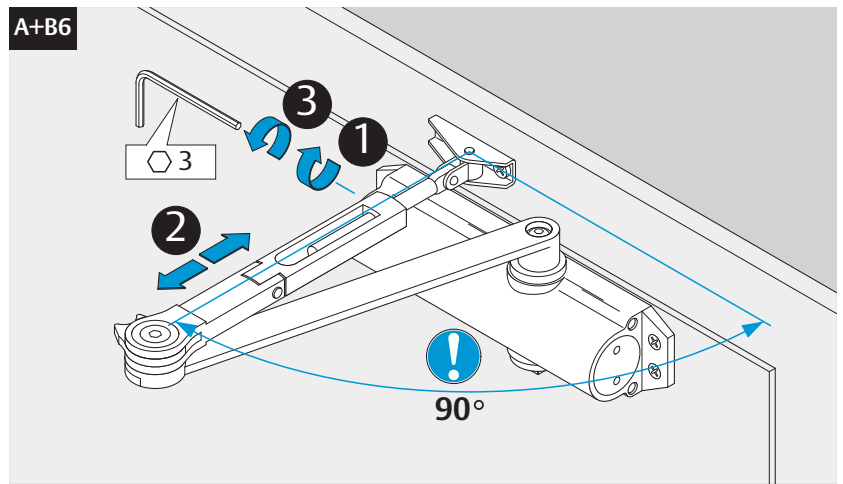
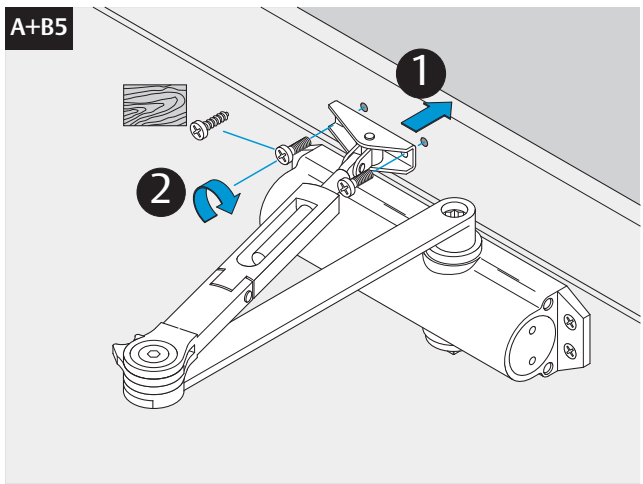
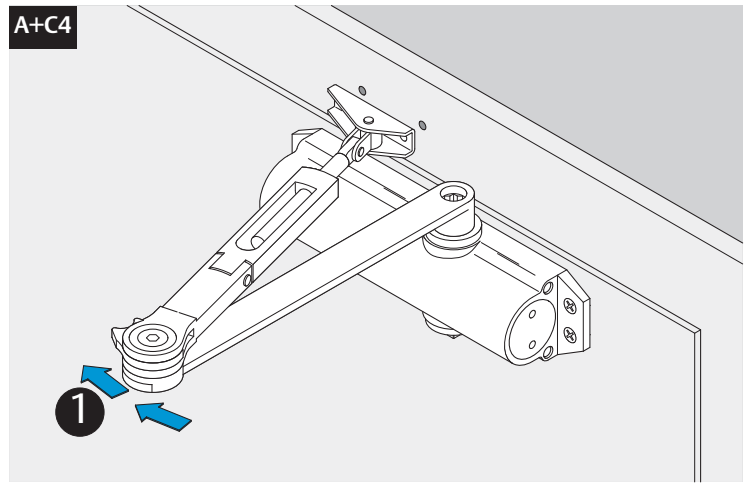
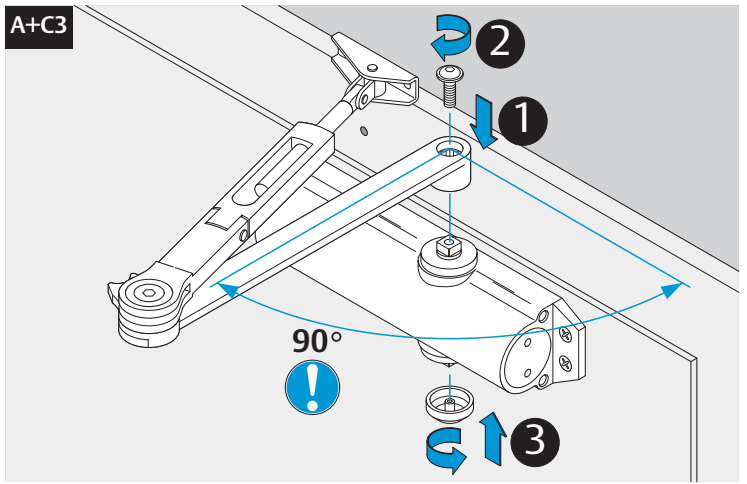
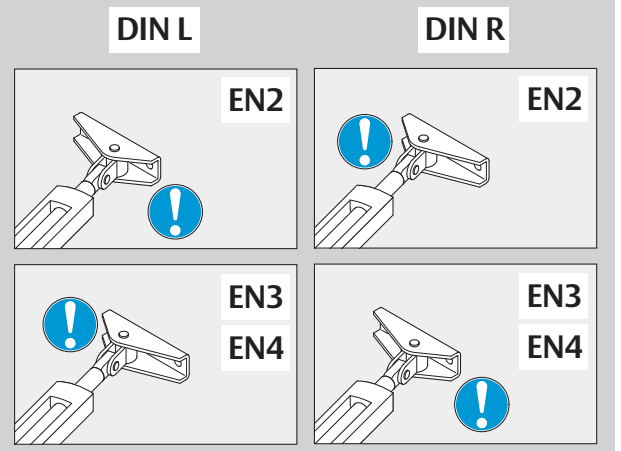
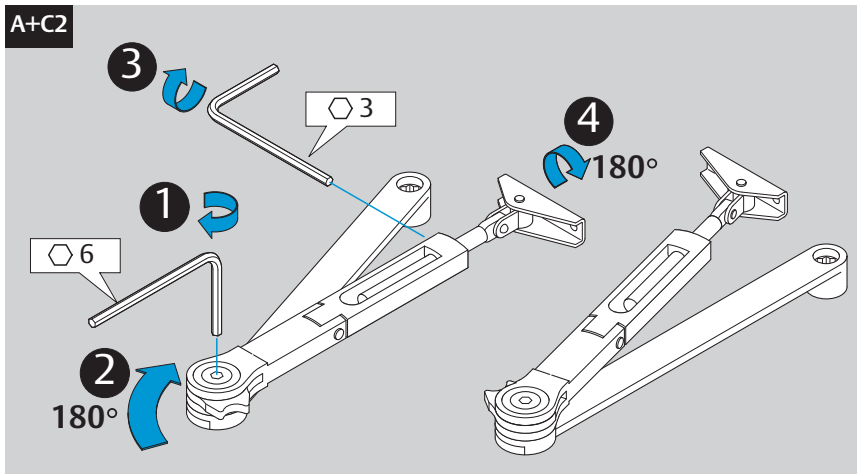
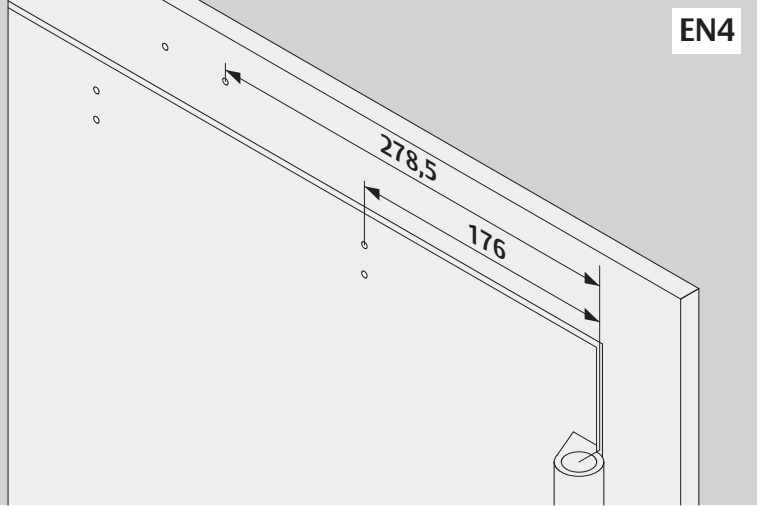
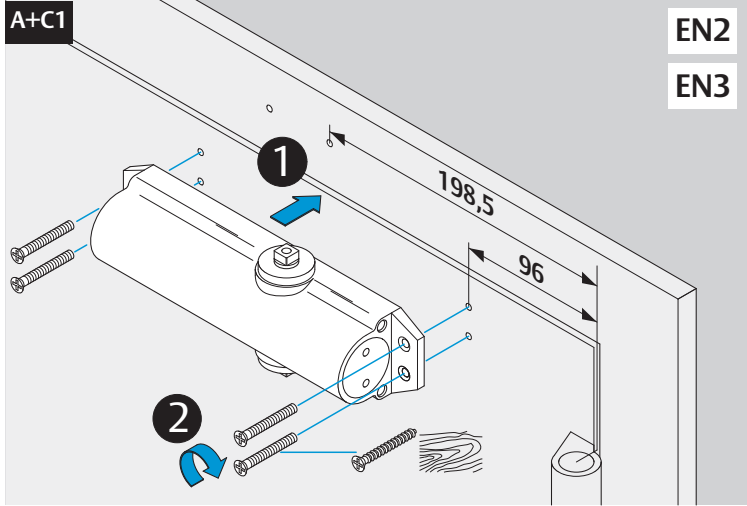


CE 2812	Abloy Oy, PO Box 108 80101 Joensuu Finland			16						
					EN 1154:1996/A1:2002/AC:2006	4	8	2/3	1	1
DC120	2812-CPR-AD5486				3	8	4	1	1	3
Dangerous substances: None										



A+B

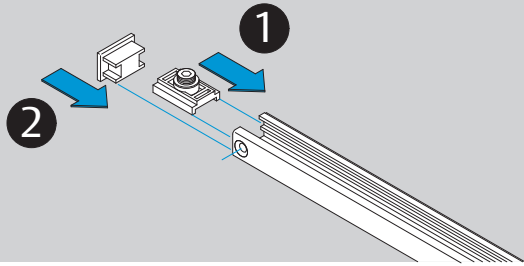




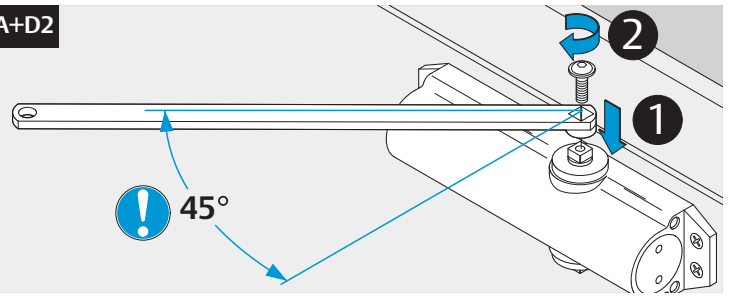
A+D



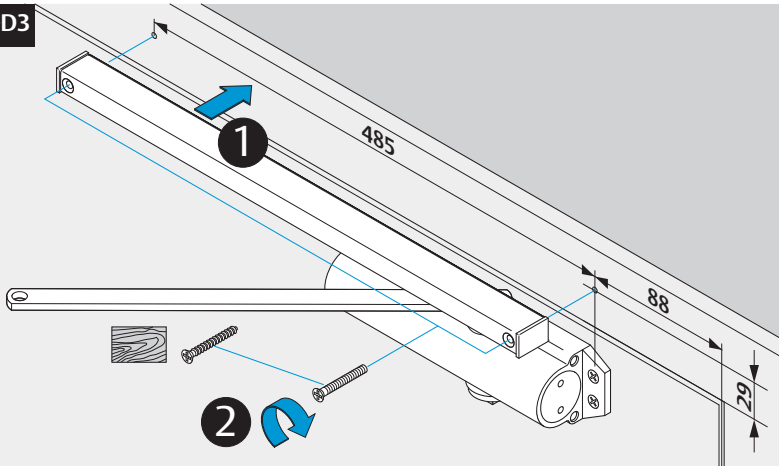
A+D1



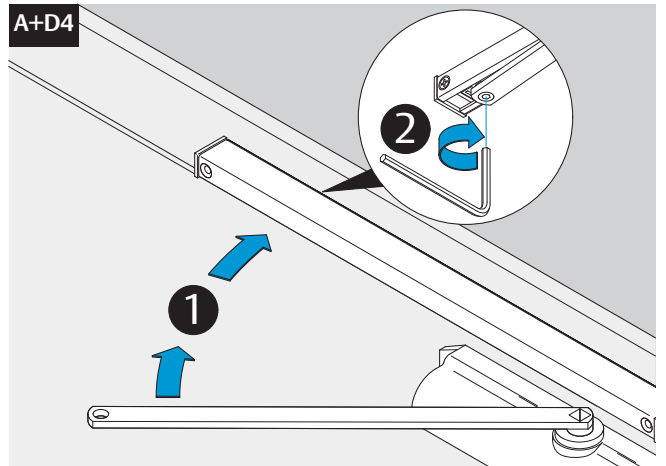
A+D2



A+D3



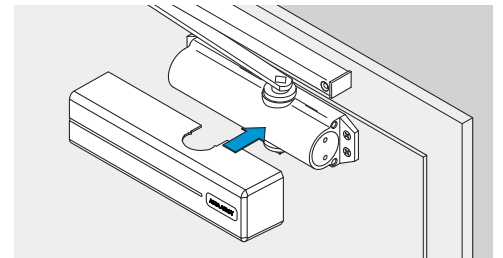
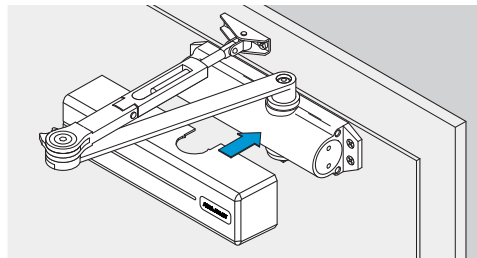
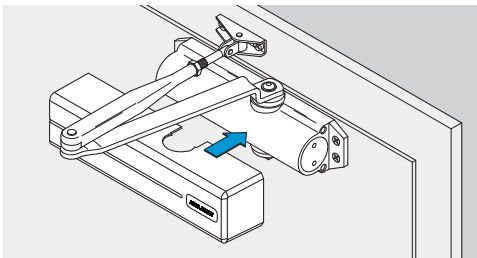
A+D4



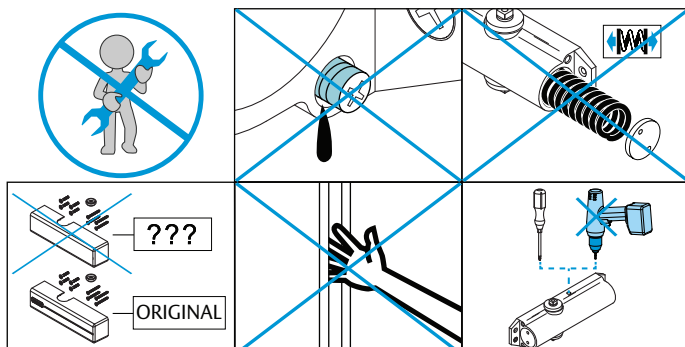
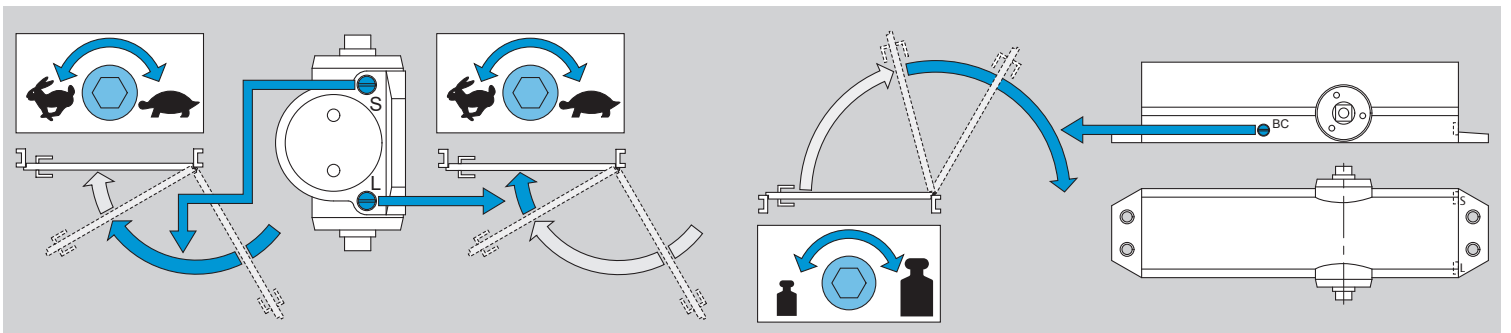
A+B+E

A+C+E

A+D+E



A



ASSA ABLOY

Abloy Oy
P.O.Box 108
80101 Joensuu
FINLAND
Tel.: +358-20 599 2501
Fax: +358-20 599 2209
www.assaabloy.com
www.abloy.com/dop

22.3.2021