

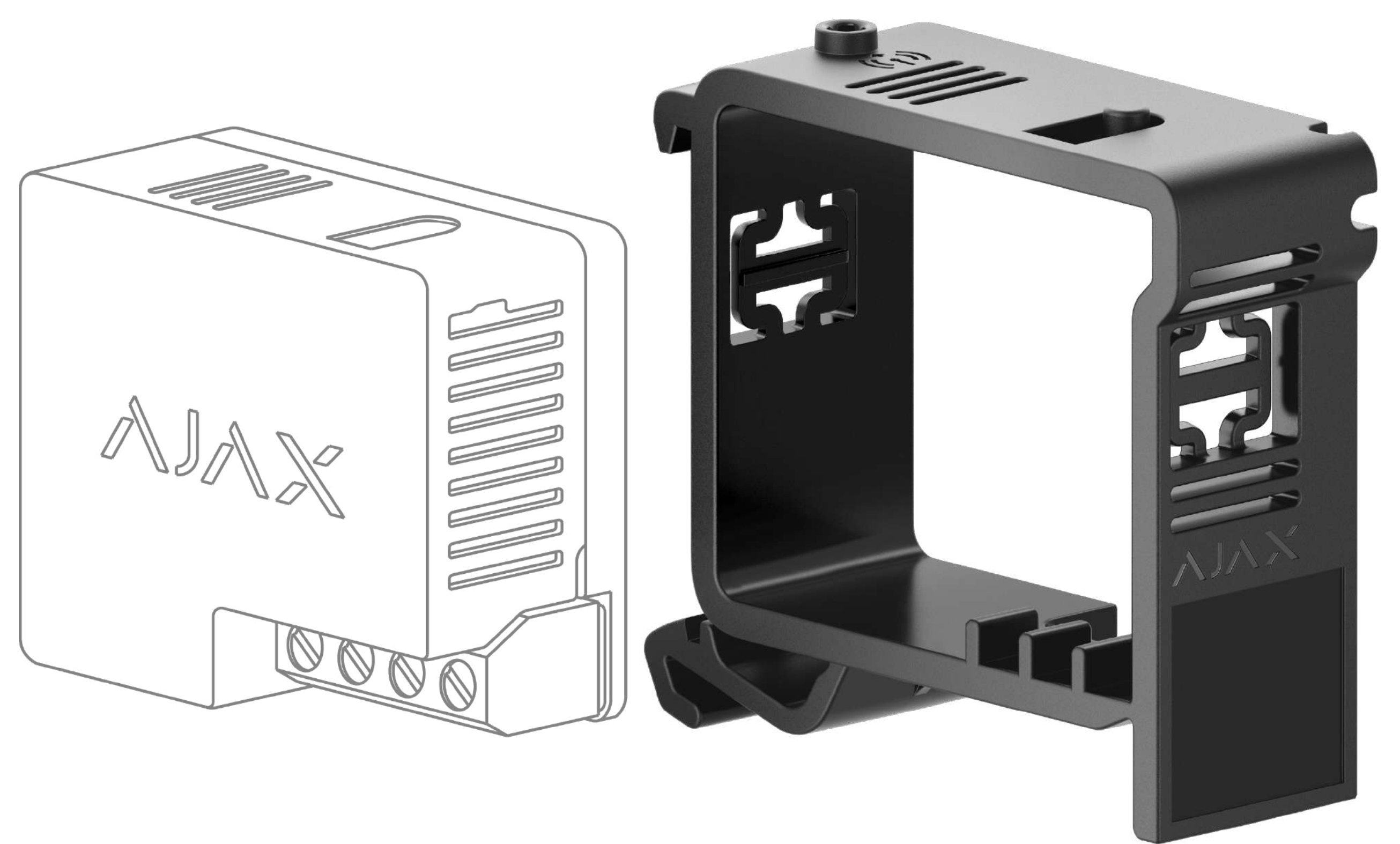
DIN Holder

Bracket to fix Relay or WallSwitch on a DIN rail



Detailed information about the device is available via QR code or at the link:

<https://support.ajax.systems/en/manuals/relay/>



Tool-less installation

DIN Holder design follows the shape of the relay and securely fixes it on a standard 35 mm DIN rail. Relay or WallSwitch is fitted in the holder casing in one motion. The holder is mounted on a rail using side hinges, and no tools are required.

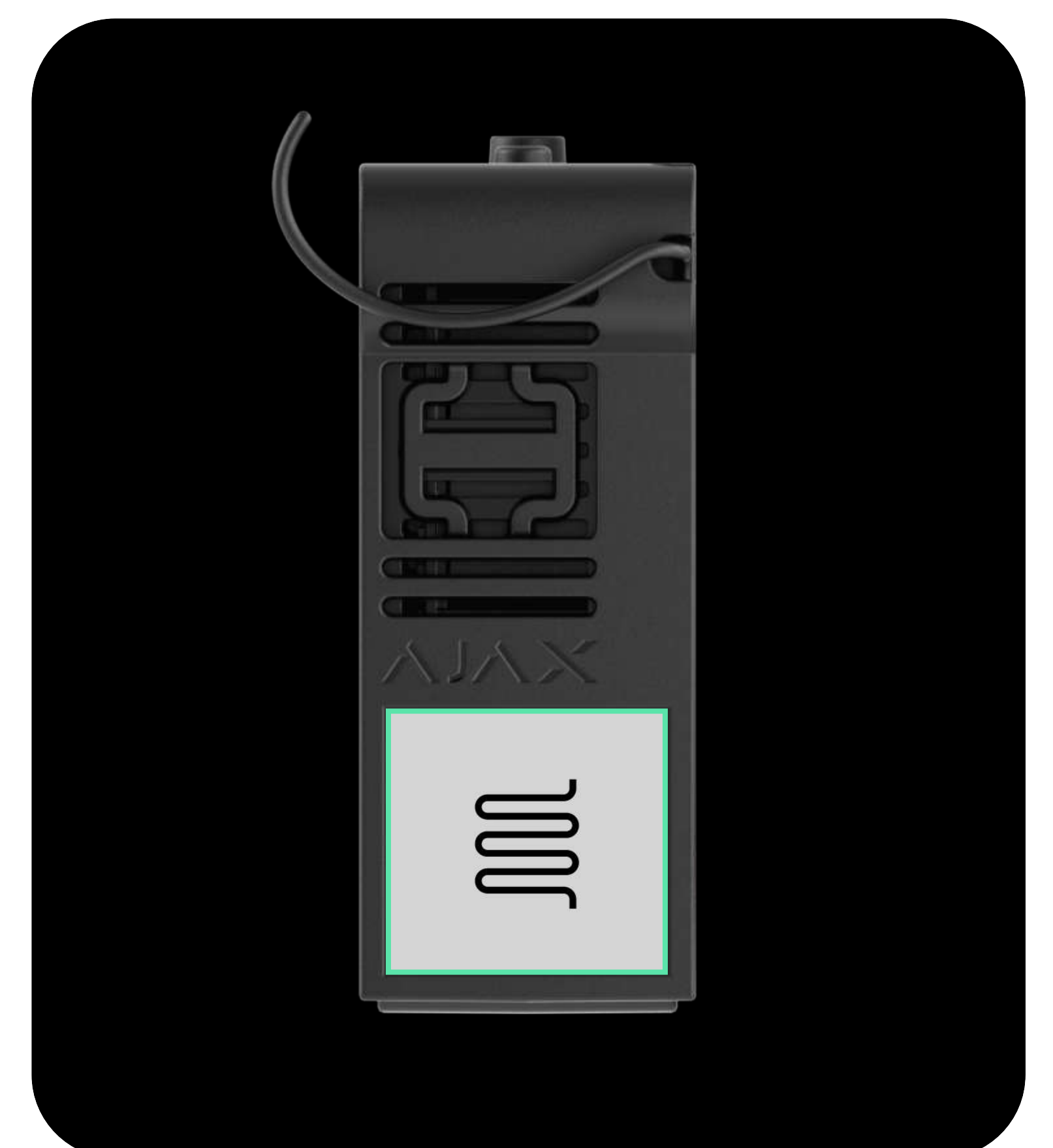
Additional features



The holder casing has a built-in button to control the power supply via relay.



Openings in the casing help to cool down the relay, keeping the operating temperature up to +60°C.



Sticker set to mark which device or circuit the relay controls.

Tech specs

| | | | |
|----------------------|---------------------------------------------------------------------------------------------------------|--------------|------------------------------------------------------------------------------------------------------------------------------------------------------------|
| Compatibility | Relay Jeweller WallSwitch Jeweller | Casing | Installation method Mounting on a DIN rail Colour black Dimensions 52 × 41 × 18 mm Weight 9 g |
| Operating parameters | Operating temperature range from -25°C to +60°C Operating humidity up to 75% | Complete set | DIN Holder Sticker set Quick Start Guide |