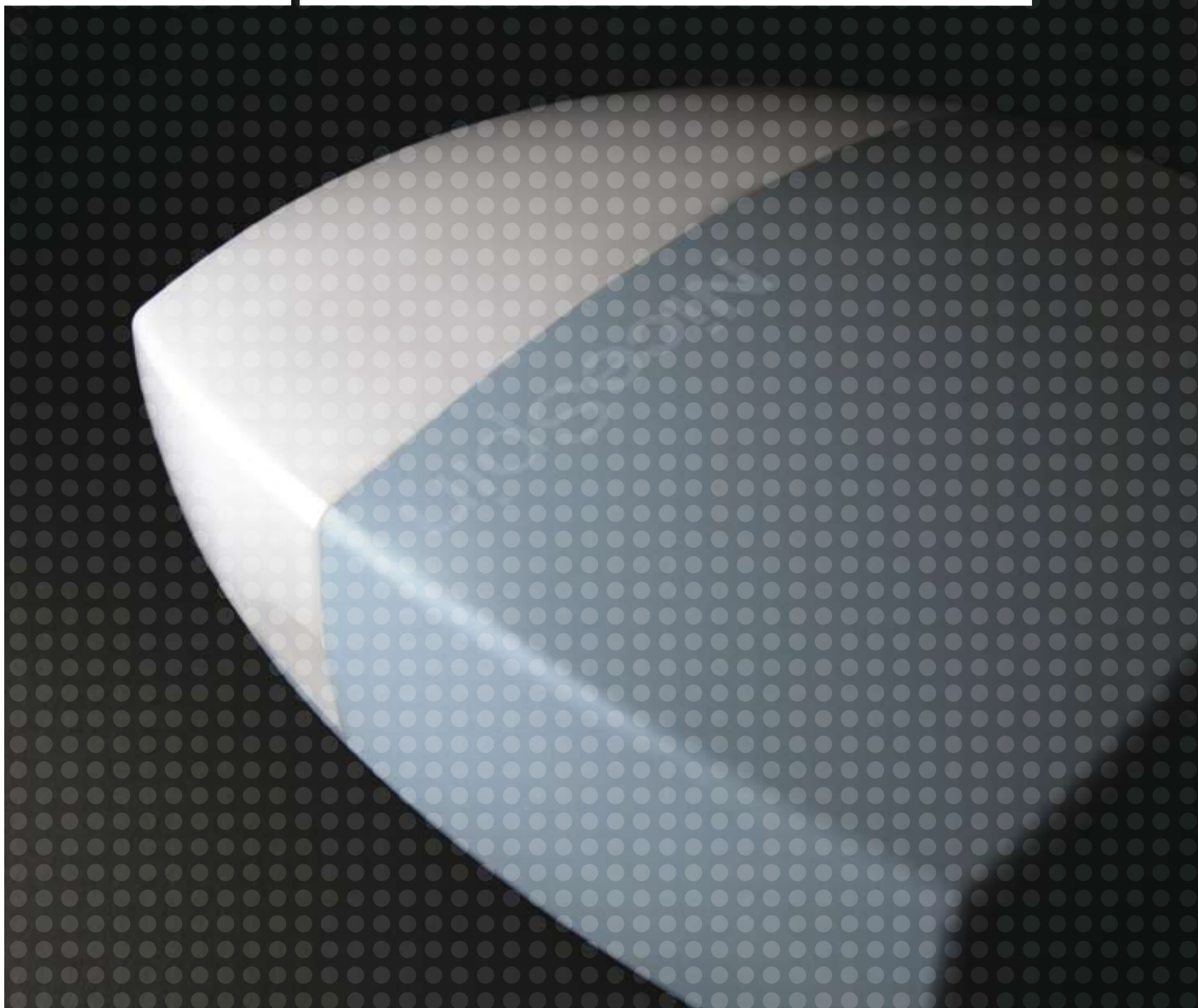




SpinbusKit

For garage doors



The new Nice kit for garage doors equipped with Nice BlueBUS technology. Installable anywhere, in harmony with the environment, thanks to the solar power kit Solemyo; easy remote control and management thanks to the Opera system.



Home Automation

For sectional doors up to 10.5 m² and up-and-over doors up to 11.8 m², Nice BlueBUS connection technology. With pre-mounted 3-metre guide.

Versions designed with provision for solar power system **Solemyo** thus enabling installation also in distant and isolated locations, far from electrical mains, with no need for connections or excavation work, in total harmony with the environment.

Total ease of remote management and control with the **Opera**, system, via the O-View multi-function display.

Gear motor characteristics:

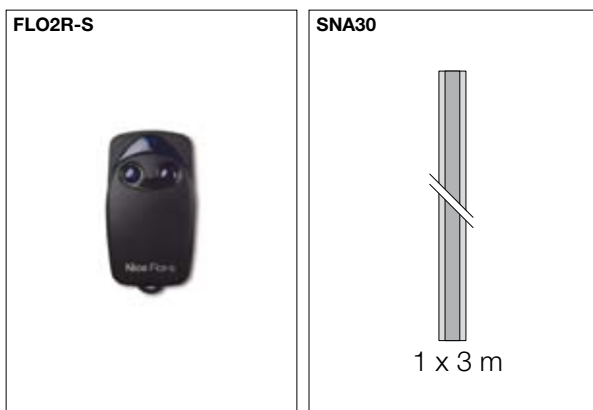
- **Quick installation in all spaces** with the adjustable head, cable release and highly practical step-step control, positionable in any point of the garage for system activation without the remote control and no need for wall-mounted controls.
- **Guaranteed savings and respect for the environment:** when connected to the mains in standby mode, the control unit with the radio receiver connected consumes just 4,2 W; when powered by battery or the Solemyo kit, consumption on standby is reduced to 0.036 W.
- **Safe:** obstacle detection and automatic programming of work times, monitoring of motor absorption throughout travel, self-diagnostics via the flashing light and courtesy light. Adjustable acceleration and deceleration intervals at the start and end of each manoeuvre. Provision for connection of latest generation resistive and optical sensitive edges at 8.2 KOhm.
- **Luminous:** E27 lamp of a generous 40 W which can replace the garage lighting.
- **No black out:** operation in the event of a power failure with optional batteries (PS124) housed inside the motor.

Features of built-in control unit:

- provision for operation with **Nice Opera** system: connection via BusT4 cable with O-View multifunction display, to enable intuitive and simple settings of all automation parameters, facilitating set-up of systems to current standards, personalisation of functions according to requirements, constant monitoring of the automation thanks to the release of firmware updates;
- possibility of power supply via the kit **Solemyo**;
- integrated **Nice BlueBUS** technology: for quick connection with just 2 wires of numerous safety, control and signalling devices (up to 12);



The kit contains:



SN6021 1 gear motor with built-in control unit and snap-fit receiver SMXI With Nice BlueBUS technology; designed with option to operate with the systems Nice Opera and Solemyo.

FLO2R-S 1 transmitter 433.92 MHz, 2 channels. **SNA30** galvanised steel guide in a single 3-metre section.

N.B. The content of the package may vary: consult the retailer.



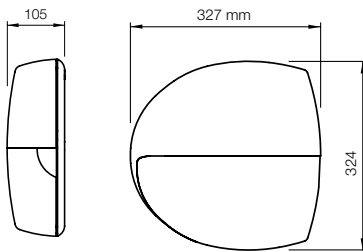
Technical specifications

Code	Description	Pcs./pallet
SPIN23KCE	Kit for automation of sectional and up-and-over doors. Pre-mounted guide in a single 3-metre section SNA30. With Nice BlueBUS technology; compatible with the systems Opera and Solemyo.	15

Motor code	SN6021
Electrical specifications	
Power (Vac 50 Hz)	230
Current absorbed (A)	0,8
Power absorbed (W)	250
Performance data	
Speed (m/s)	0,20
Torque (N)	650
Work cycle (cycle/day)	50
Dimensions and general data	
Protection level (IP)	40
Working temp. (°C Min/Max)	-20 ÷ +50
Dimensions (mm)	311x327x105 h
Weight (kg)	3,6

For updated and complete information, consult the product technical manual.

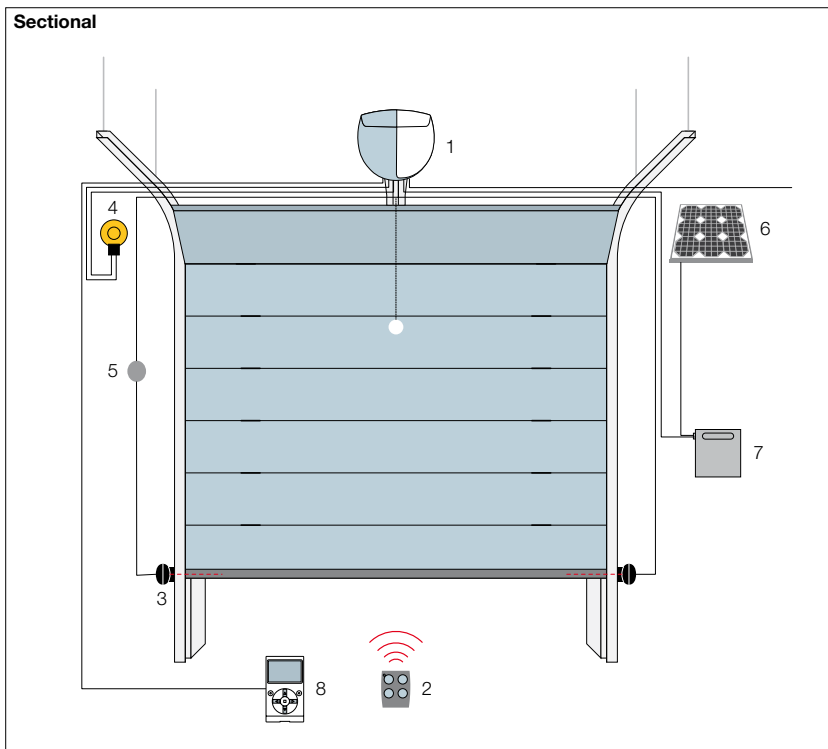
Technical layout drawing and application limits*



	non-projecting up-and-over door		projecting up-and-over door		sectional	
	H	L	H	L	H	L
SPIN23KCE	2,2 m	4,2 m	2,8 m	4,2 m	2,4 m	4,4 m

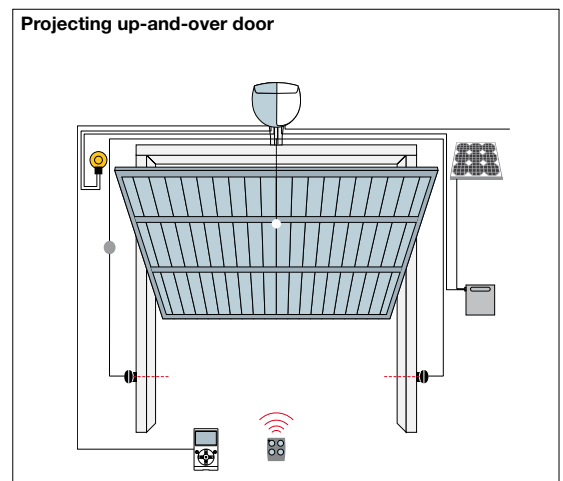
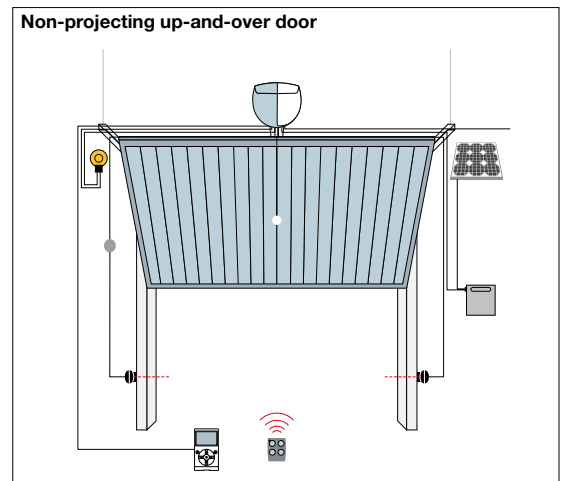
* Using the maximum travel

Installation diagram

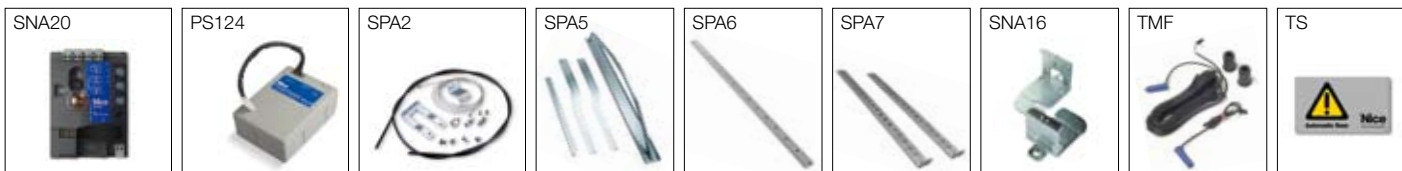


1. Spinibus 2. Transmitter 3. Photocells 4. Flashing light with integrated aerial 5. Digital or key selector 6. SYP* solar panel 7. PSY24* battery box 8. O-View* multifunction display.

*Optional connection to Solemyo and Opera systems.



Accessories



Code	Description	Pc/pack
SNA20	Spare control unit for SPIN23KCE	
PS124	24 V battery with built-in battery charger	1
SPA2	Kit for unlocking from the outside with cable	1
SPA5	Oscillating arm sliding on bearings with optimised structure for projecting up-and-over doors	1
SPA6	Large 585 mm long connecting arm	1
SPA7	Kit of additional fixing brackets	2
SNA16	Quick plugging brackets for ceiling fixing	10
TMF	Photocell pair for optical sensitive edges	1
TS	Signboard	1

Nice recommends customers order products in pallets in order to facilitate storage and delivery, and ensure packs are uniform. The number of packs per single pallet has been specified for this reason.

Kit for Opera system and Solemyo solar power system



Code	Description	Pc/pack
OVIEW	Multifunction display for the control, programming and diagnostics of devices connected via BUS T4	1
OVBT	Bluetooth module for O-View and "O-View Software Suite" for PC, PDA or Smartphone	1
OVBTGSM	GSM module for O-View and "O-View Software Suite" for PC, PDA or Smartphone	1
OBOX	Connection interface complete with software "O-Box Software Suite", with USB connection cable supplied	1
OBOXB	Connection interface complete with software "O-Box Software Suite", with USB connection cable and integrated Bluetooth module	1
SYKCE	Solar power kit comprising SYP photovoltaic panel and PSY24 battery box with charging control circuit	1
SYA1	Power supply unit for charging the battery via the mains PSY24	1



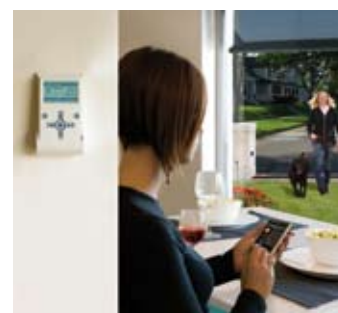
Nice for you

Nice constantly researches the most advanced solutions for improving the quality of life by simplifying everyday movements. The key factors to Nice's success are: Technological innovation and product design; strong and proven international focus, a capacity for expansion abroad; flexible and efficient business model.



Solemyo

The solar power kit Solemyo to automate gates, garage doors or road barriers, without the need for costly and invasive excavation work.



Opera

The innovative Opera System enables the installer to manage, program and control automation systems, also remotely, simply and safely, with significant savings in time.

Nice SpA
 Oderzo TV Italia
 Ph. +39.0422.85.38.38
 Fax +39.0422.85.35.85
 info@niceforyou.com

www.niceforyou.com

The information shown in this publication is purely indicative. Nice reserves the right to make any modifications to the products as it sees fit.