

CE



control unit



robo, thor, otto

Instructions and warnings for the fitter

Istruzioni ed avvertenze per l'installatore

Instructions et recommandations pour l'installateur

Anweisungen und Hinweise für den Installateur

Instrucciones y advertencias para el instalador

Instrukcje i uwagi dla instalatora

Aanwijzingen en aanbevelingen voor de installateur



COMPANY
WITH QUALITY SYSTEM
CERTIFIED BY DNV
=ISO 9001/2000=

Nice

robo, th

COMPANY
WITH QUALITY SYSTEM
CERTIFIED BY DNV
=ISO 9001/2000=



or, otto

GB

I

F

D

E

PL

NL

[®]Nice

control unit

gearmotors

robo, thor, otto

Table of contents:

	page		page		
1	Description of the product	5	6	Programmable functions	11
2	Installation	6	6.1	Description of functions	12
2.1	Typical system layout	6	7	Using 2 control units on opposed leafs	13
2.2	Electrical connections	6	8	Accessories	14
2.2.1	Electrical diagram	7	9	Maintenance	14
2.2.2	Description of connections	7	10	Disposal	14
2.2.3	Phototest	8	11	What to do if...	15
2.2.4	Checking connections	9	12	Technical specifications	15
3	Adjustments	9			
4	Testing	10			
5	Operating modes	11			

Warnings:

⚠ This manual has been especially written for use by qualified fitters. No information given in this manual can be considered as being of interest to end users!

This manual only refers to this control unit and may not be used for different products.

Do not install the unit before you have read all the instructions at least once.

1) Description of the product:

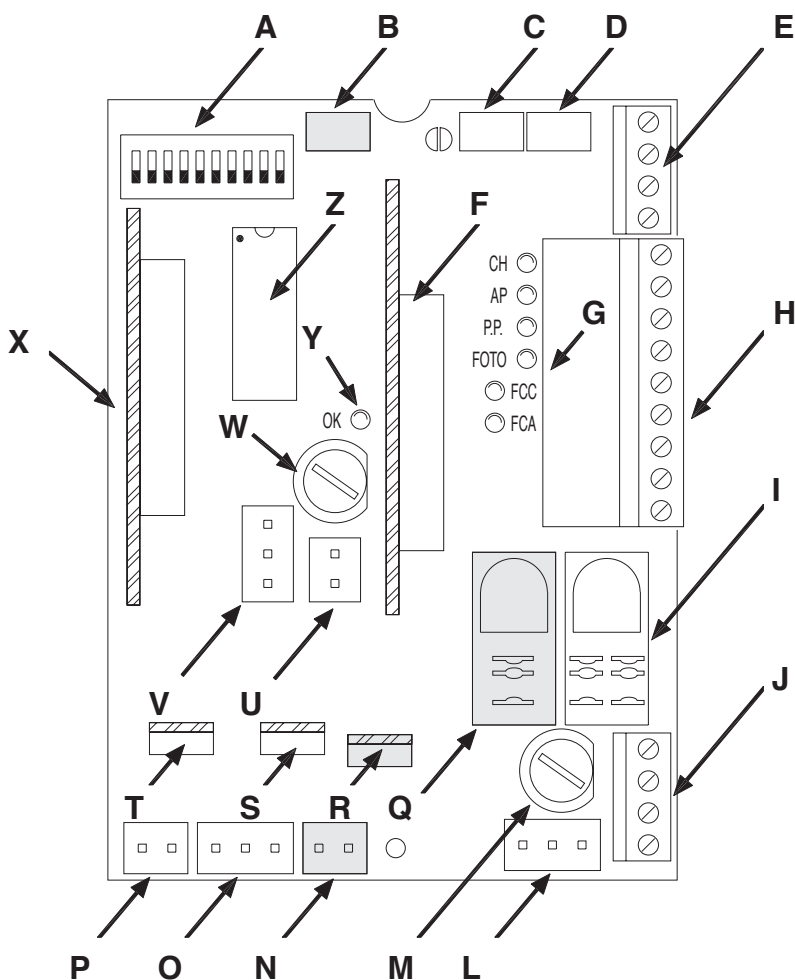
This gate and door automation unit controls the ROBO, OTTO and THOR gearmotors with single-phase alternating current.

The control unit varies depending on the type of gearmotor to control, e.g.: Force Adjustment, Gate Open Indicator and Courtesy Light.

It also features a series of functions that can be selected by "Dip-Switches" (mini-switches) and adjustments performed by Trimmers.

The control unit features input status Led's located near such inputs, while another Led near the microprocessor indicates that the internal logic works correctly.

To make it easier to recognise the various parts, **fig.1** shows the main components.



- A** Function selection Dip-Switch
- B** Force adjustment trimmer
- C** Working Time TL adjustment trimmer
- D** Pause Time TP adjustment trimmer
- E** Terminal board for aerial and 2nd channel
- F** RADIO board slot
- G** Input status LED's
- H** Input/output control terminal board
- I** "Common" relay
- J** Power input terminal board / Flashing light
- L** Primary transformer connector
- M** Line fuse (5A)
- N** "Courtesy Light" output connector (only on OTTO)
- O** Motor power output
- P** Capacitor slot connector
- Q** "Torque" relay
- R** Triac "Courtesy Light" (only on OTTO)
- S** Triac Close
- T** Triac Open
- U** Secondary transformer connector
- V** FCA / FCC limit switch input
- W** Low voltage rapid fuse (500mA)
- X** PIU board slot
- Y** OK Led
- Z** Microprocessor

1

	Product Code*	Control Unit Code*	Additional Function
ROBO	RO1000	ROA3	Force adjustment Trimmer
	RO1020		
	RO1010	ROA4	"Torque" Relay
THOR	TH1551	THA5	Force adjustment Trimmer
	TH2251	THA6	"Torque" Relay
OTTO	OT21	OTA1	"Courtesy Light" output

* = add to code V1 for the 120 V 50/60 Hz version.

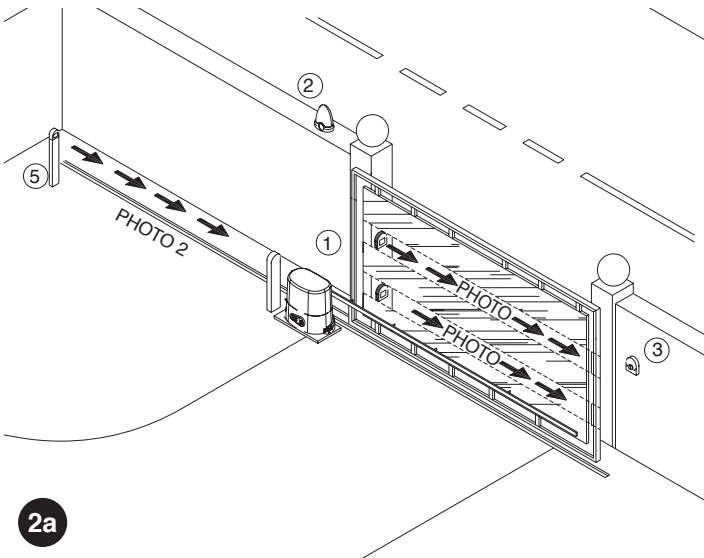
2) Installation:

⚠ Automatic gate and door systems may only be installed by qualified fitters in the full respect of the law. Comply with the warnings shown in the “Warnings for fitters” file.

2.1) Typical system layout

In order to explain certain terms and aspects of an automatic door or gate system, we will now illustrate a typical system layout.

ROBO / THOR



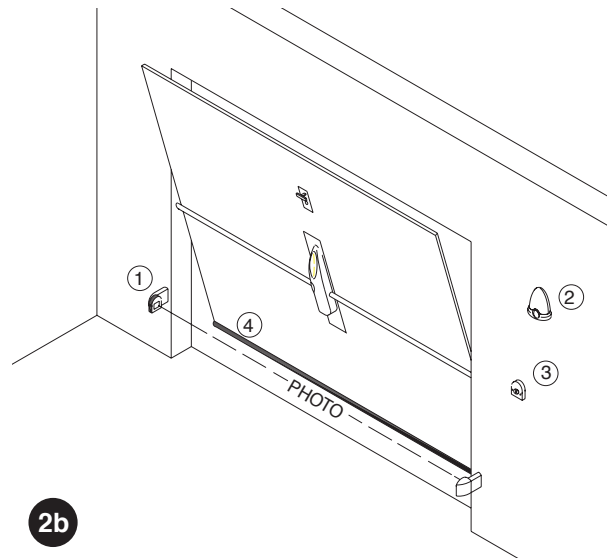
2a

- 1) Pair of “Photo” photocells
- 2) Flashing lamp
- 3) Keylock selector
- 4) Pneumatic edge
- 5) Pair of “Photo 2” photocells

In particular, please note that:

- All the photocells produced by NICE feature the synchronism system which eliminates the problem of interference between two pairs of photocells (please consult the photocell instructions for further details).
- The “Photo” pair of photocells have no effect during opening while they invert movement during closing.
- The “Photo2” pair of photocells have no effect during closing while they invert movement during opening.

OTTO



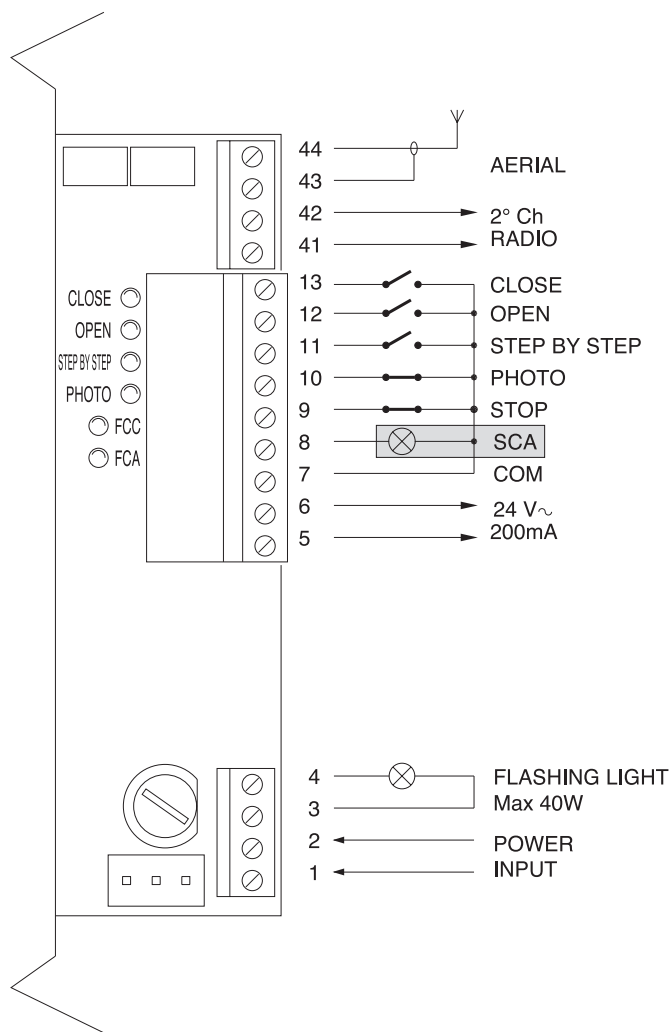
2b

2.2) Electrical connections

⚠ To safeguard the operator and avoid damaging the components while you are wiring or plugging in the various cards: under no circumstances may the unit be electrically powered.

- Power the unit using a 3 x 1.5 mm² cable: should the distance between the unit and the earth connection exceed 30m, install an earth plate near the unit.
- Use wires with a minimum cross-section of 0.25mm² to connect low voltage safety circuits.
- Use shielded wires if the length exceeds 30m and only connect the earth braid to the control unit side.
- Do not make connections to cables in buried boxes even if they are completely watertight.
- If the inputs of the Normally Closed (NC) contacts are not used they should be jumped with the “24V common” terminal except for the photocell inputs if the phototest function is enabled, for further information please see the “Phototest” paragraph.
- If there is more than one (NC) contact on the same input, they must be connected in SERIES.
- If the inputs of the Normally Open (NA) contacts are not used they should be left free.
- If there is more than one (NA) contact on the same input, they must be connected in Parallel.
- The contacts must be mechanical and potential-free; no stage connections are allowed, such as those defined as “PNP”, “NPN”, “Open Collector”, etc..

2.2.1) Electrical diagram



2.2.2) Description of connections

A brief description of the possible control unit output connections follows.

Terminals	Functions	Description
1-2	Power input	= Mains power line
3-4	Flashing light	= Output for connecting flashing light to mains voltage (max. 40W)
5-6	24 Vac	= 24Vac output to 24Vac services (Photo, Radio, etc.) Max. 200mA
7	Common	= Common for all inputs
8	Gate open indicator	= Max. 24 Vac output for gate open indicator 2W (Not used on OTTO)
9	Stop	= Input for stopping the manoeuvre with a brief reverse phase
10	Photo	= Input for safety devices (photocells, pneumatic edges)
11	Step-by-step (PP)	= Input for cyclic functioning ("Open" - "Stop" - "Close" - "Stop")
12	Open	= Input for opening
13	Close	= Input for closing
41-42	2nd Radio Ch	= Output for the second radio receiver channel if there is one
43-44	Aerial	= Input for the radio receiver aerial

2.2.3) Phototest

“Phototest” is the best possible solution for safety devices in terms of reliability and it puts the control unit and safety photocells in “category 2” according to UNI EN 954-1 standard (ed. 12/1998).

Before every manoeuvre is begun, the relative safety devices are checked and only if everything is in order will the manoeuvre start. Should the test be unsuccessful (the photocell is blinded by the sun, cables have short circuited, etc.) the failure is identified and the manoeuvre is not carried out.

To obtain the Phototest function:

- Using the additional “PIU” board.
- Setting Dip Switch 10 to ON
- Creating a special layout in the safety device connections as shown in **fig. 4a** so that the photocell transmitters are no longer directly powered by the service output but from terminals 7 and 8 of the “PIU” board. The maximum current that the “PIU” board can use on the “Phototest” output is 100mA (2 pairs of nice photocells)
- Powering the receivers directly from the service output of the control unit (terminals 5-6).

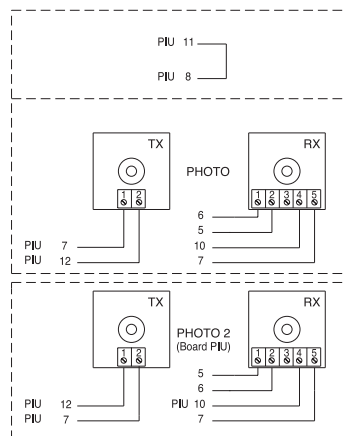
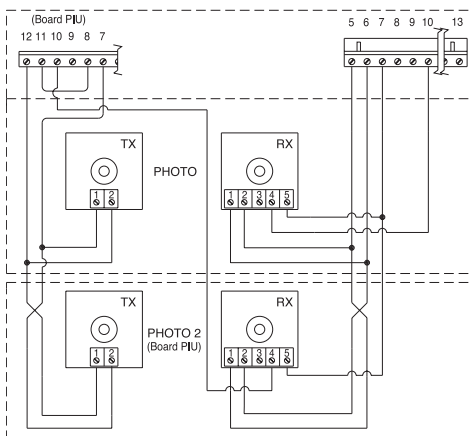


If at a later time the Phototest function is no longer required, lower Dip Switch 10 and modify the connection layout as shown in **fig. 4b**.

The photocells are tested as follows: when movement is required, it is first checked that all the receivers involved in the movement give their consent, then power to the transmitters is disconnected after which it is checked that all the receivers signal the fact by removing their consent; the transmitters are then powered and the consent of all the receivers is verified once more. Only if this sequence is successfully carried out will the manoeuvre be performed.

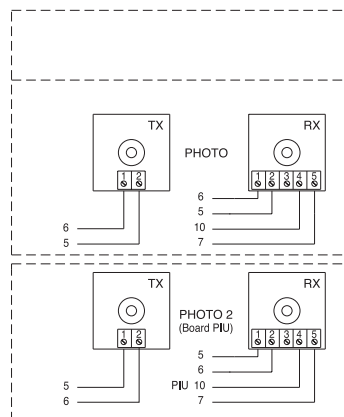
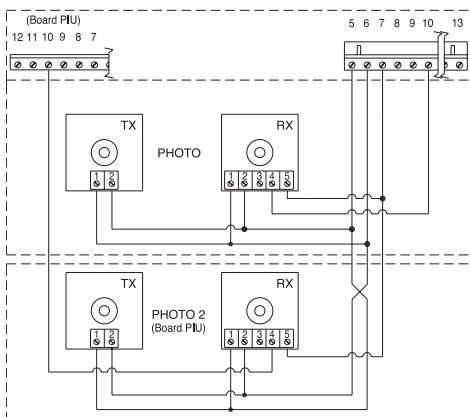
Synchronism should always be activated on the two transmitters by cutting the jumpers; this is the only way of ensuring that the two pairs of photoelectric cells do not interfere with one another. Check the instructions in the photocell manual regarding synchronised operation.

If a “Phototest” input is not used (e.g.: Photo2) but the “phototest” function is required, jumper the unused input as shown in **fig. 4c**.



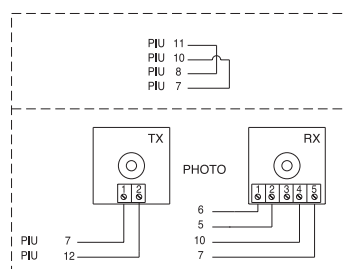
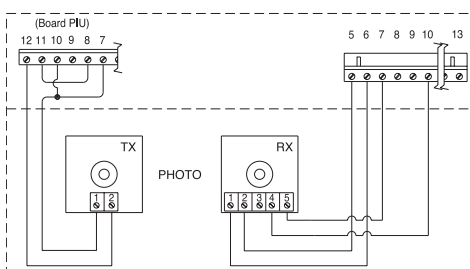
4a

“Photo” and “Photo2” with “Phototest”



4b

“Photo” and “Photo2” without “Phototest”



4c

“Photo” with “Phototest”

2.2.4) Checking connections

⚠ The following operations entail working on live circuits; most of these run on extra-low safety voltage so they are not dangerous but some are contain mains voltage which means they are **HIGHLY DANGEROUS!** Pay the greatest of attention to what you are doing and **NEVER WORK ALONE!**

- Power the unit and check that voltage between terminals 5-6 is approx. 24 Vac.
- Check that the “OK” Led flashes rapidly for a few moments and then that it flashes at a regular frequency.
- Now check that the Led’s relative to the N.C. (Normally Closed) contacts are on (all safety devices active) and that the Led’s relative to the N.A. (Normally Open) inputs are off (no command present); if this is not the case, check the connections of the various devices and make sure they are in good working order. The STOP input switches off both FCA and FCC.
- Make sure the limit switches are connected properly; move the limit switch lever and check that the relative limit switch cuts in and switches off the relative Led on the control unit.
- Release the leaf, take it to the halfway point and then block it; it is now free to move in either the opening or closing direction.
- Now make sure that movement occurs in the right direction, that is, see whether the movement set on the unit corresponds to that of the leafs. This check is of paramount importance, if the direction is wrong, in some cases (in the “Semiautomatic” mode, for instance) the “Automatic” system might appear to be working properly; in fact, the “Open” cycle is similar to the “Close” cycle

but with one basic difference: the safety devices are ignored in the closing manoeuvre which is normally the most dangerous, and they will trigger in the opening manoeuvre causing the gate to close against the obstacle with disastrous results!

- To see whether or not the direction of rotation is correct, give a short pulse to the Step-by-Step (PP) input; the first manoeuvre the unit will carry out after being powered is always an “Open” one, so simply verify that the automatic system moves in the opening direction; if this movement is incorrect, proceed as follows:
 - ➡ Turn the power off
 - ➡ Turn the motor and the limit switch power connectors 180°. (Ref. “O” and Ref. “V” of **Fig.1**)
 - ➡ Once this has been done, check whether the direction of rotation is now correct by repeating previous point.



The “OK” Led located in the centre of the board has the task of signalling the status of the internal logic: regular flashing at 1 second intervals indicates that the internal microprocessor is active and waiting for commands. When the microprocessor recognises a variation in the state of an input (whether it is a command or a function Dip-Switch input) it generates a rapid double flash even if the variation does not have any immediate effect. Extremely rapid flashing for 3 s means that the control unit has just been powered or is carrying out internal testing. Irregular flashing, lastly, means that the test has been unsuccessful and that a fault has occurred.

3) Adjustments:

Adjustments can be made with the trimmers that modify the following parameters:

Working time (TL):

Adjusts the maximum duration of the opening or closing manoeuvre.

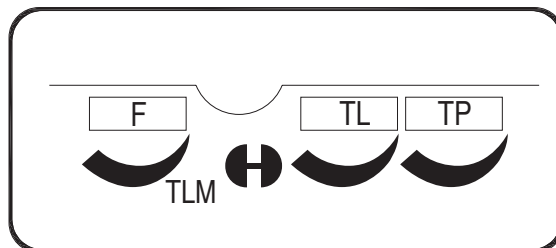
To adjust the working time TL, select the “Semiautomatic” operating mode by moving Dip-Switch 1 to ON and adjust the TL trimmer to halfway along the travel distance. Then run a complete opening cycle followed by a complete closing cycle and readjust the TL trimmer in order to leave enough time for the whole manoeuvre plus a margin of about 2 to 3 s.

If the trimmer is at maximum and there still is not enough time, cut the TLM jumper on the printed circuit between the TL and the TP trimmers in order to provide more working time.

Pause Time (TP):

In the “Automatic” mode, this adjusts the delay between the end of the opening manoeuvre and the beginning of the closing manoeuvre.

To adjust Pause Time TP, select the “Automatic” operating mode by moving Dip-Switch 2 to ON and adjust the TP trimmer as required. Then carry out an opening manoeuvre and check the time elapsed before “Automatic” closing manoeuvre.



Force (F):

Fitted on the control unit, this adjusts maximum Force.

Take great care when adjusting the Force (F) trimmer as this may affect the level of safety of the automatic system. Trial by error is required to adjust this parameter, measuring the force applied to the leaf and comparing it with regulatory values.

In the RO1010 and OT21 control units, Force is adjusted with a multi-position Switch located on the casing of the control unit power transformer.

4) Testing

After the above checks and adjustments, the system can now be tested.

⚠ The automation system must be tested by qualified and expert personnel who must establish what tests to perform according to the relative risk.

Testing is the most important part of the whole installation phase. Each single component, e.g. the gearmotor, emergency stop, photocells, etc., may require a specific test phase; please follow the procedures shown in the respective instructions manuals.

To test the control unit, perform the following operations:

1. Function selection:
 - Set Dip-Switch 1 to ON ("Semiautomatic" operation)
 - If the connections shown in **fig.4a** have been made in order to use the "Phototest" function, (if the PIU board is fitted) set Dip-Switch 10 to ON ("Phototest" function).
 - Set all the other Dip-Switches to OFF
2. Press the "Open" or "Step-by-Step" button and check that:
 - the flashing lamp activates
 - an opening manoeuvre starts
 - the movement stops when the opening limit switch FCA is reached.
3. Press the "Close" or "Step-by-Step" button and check that:
 - the flashing lamp activates
 - a closing manoeuvre starts
 - the movement stops when the closing limit switch FCC is reached
4. Start an opening manoeuvre and check that during the manoeuvre the cut-in of a device:
 - Connected to the "Stop" stops the manoeuvre with a brief reverse phase.
 - Connected to the "Photo" input has no effect
 - Connected to the "Photo2" input stops and inverts the manoeuvre (if the PIU board is fitted).
5. Start a closing manoeuvre and check that during the manoeuvre the cut-in of a device:
 - Connected to the "Stop" stops the manoeuvre with a brief reverse phase.
 - Connected to the "Photo" input stops and inverts the manoeuvre
 - Connected to the "Photo2" input has no effect (if the PIU board is fitted).
6. On the connected inputs, check that the activation of the input causes a step in the sequence:
 - Step-by-step input: Sequence = "Open" – "Stop" – "Close" – "Stop"
 - Open input: Sequence = "Open" – "Stop" – "Open" – "Stop"
 - Close input: Sequence = "Close" – "Stop" – "Close" – "Stop"
 - Partial Open input: Sequence = "Partial Open" – "Stop" – "Close" – "Stop" (if the PIU board is fitted).
7. If the "Phototest" function is used, check the test is efficient (if the PIU board is fitted):
 - Interrupt the "Photo" photocell, then start a manoeuvre and check this is not performed
 - Interrupt the "Photo2" photocell, then start a manoeuvre and check this is not performed
 - Short the "Photo" photocell contact, then start a manoeuvre and check this is not performed
 - Short the "Photo2" photocell contact, then start a manoeuvre and check this is not performed
8. Perform the tests for detecting Impact Forces as required by EN 12445.

If further functions are activated after testing has finished that could reduce the safety of the system, specific testing of these functions must be performed.

5) Operating modes

In the manual operating mode, the “Open” input enables the opening manoeuvre and the “Close” input enables the closing manoeuvre. The “Step-by-Step” input enables an alternating closing and opening manoeuvre.

Movement stops as soon as the command in input stops. If the limit switches trigger or “Photocell2” (on the PIU card) fails to enable during an opening manoeuvre, movement will stop; during a closing manoeuvre, on the other hand, movement will stop if “Photocell” does not enable. Both in the opening or closing phases, movement will be brought to an abrupt halt by means of “Stop”. When a movement is stopped, stop the input command before giving a command to start a new movement.

When one of the automatic functioning modes (“Semiautomatic”, “Automatic” or “Close Always”) is operational, a command impulse on the Open input will begin an opening manoeuvre. An impulse to the “Step-By-Step” input begins an alternating closing and opening manoeuvre. A second impulse on the “Step-By-Step” input or on the input that started movement will cause it to stop.

Both in the opening or closing phases, movement will be brought to an abrupt halt by means of “Stop”.

If, instead of an impulse to a command input a continuous signal is maintained, a state of “priority” will be created in which the other command inputs are disabled (**useful if you want to connect a timer or a Night-Day selector**).

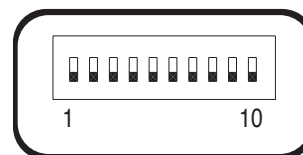
If an automatic functioning mode has been chosen, the opening manoeuvre will be followed by a pause and then a closing manoeuvre. If “Photocell” triggers during the pause, the timer will be reset with a new pause time; if, on the other hand, there is a “Stop” during the pause, the closing function will be cancelled and the system will “Stop”.

Nothing will happen if “Photocell” triggers during an opening manoeuvre but if “Photocell2” (on the PIU card) triggers, this will invert the direction of movement; if “Photocell” triggers during a closing manoeuvre, this will invert the direction of movement followed by a pause and then a closing manoeuvre.

6) Programmable functions

The unit features a set of microswitches used to operate various functions so as to make the system more suitable to user needs and safer in various conditions of use. All the functions can be activated by moving the relative Dip-Switch to the “On” position and deactivated by moving them to “Off”.

▲ Some of the programmable functions are linked to safety aspects; carefully evaluate the effects of a function and see which gives the highest possible level of safety.



Use the Dip-Switches to select the various operating modes and add the functions required according to this table:

Switch 1-2:	Off-Off	= “Manual” movement (i.e.: man Present)
	On -Off	= “Semiautomatic” movement
	Off-On	= “Automatic” movement (i.e.: automatic closing)
	On -On	= “Automatic + always “Closes” movement
Switch 3:	On	= Condominium operating mode <not available in the manual mode>
Switch 4:	On	= Pre-flashing
Switch 5:	On	= Close 5” after “Photo” <in “Automatic”> or “Close” after “Photo” <in “Semiautomatic”>
Switch 6:	On	= “Photo” safety also in opening
Switch 7:	On	= Gradual departure
Switch 8:	On	= Deceleration
Switch 9:	On	= Brake
Switch 10:	Without PIU board	(on Robo) On = Gate open indicator with proportional flashing
		(on Otto) On = Courtesy light time = 4 minutes
	With PIU board	On = “Phototest” function

N.B.: Some functions are only possible in determined conditions, these are indicated in the notes placed between the symbols “<...>”.

6.1) Description of functions

Here is a brief description of the functions that can be added by moving the relative Dip-Switch to "ON".

Switch 1-2: Off-Off	= "Manual" movement (man present)
On-Off	= "Semiautomatic" movement
Off-On	= "Automatic" movement (automatic closing)
On-On	= "Automatic + Always Closes" movement

In the "Manual" operating mode, the gate will only move as long as the relative control button is held down.

In the "Semiautomatic" operating mode a command impulse will perform the whole movement until the Working Time limit expires or the mechanical stop is reached. In the "Automatic" operating mode, an opening manoeuvre is followed by a pause and then an automatic closing manoeuvre.

The "Always Closes" function comes into play following a power failure; if the gate is open, a closing manoeuvre takes place, automatically preceded by 5 seconds of pre-flashing.

Switch 3: On = Condominium operating mode (not available in the Manual mode)

In the Condominium operating mode, once an opening manoeuvre has started it cannot be interrupted by other command pulses on "Step-by-Step" or "Open" until the gate has finished opening.

During a closing manoeuvre, a new command pulse will stop the gate and reverse the direction of movement in order to open the gate.

Switch 4: On = Pre-flashing

A command impulse activates the flashing lamp followed by movement 5 s later (2 s later in the manual mode).

Switch 5: On = "Close" 5 s after "Photo" <in the "Automatic" mode> or "Close" after "Photo" <in the "Semiautomatic" mode>

This function, if in the "Automatic" mode, allows the gate to be kept open only for the time required for transit; when "Photo" finishes, the manoeuvre stops. After 5 s a closing manoeuvre will automatically begin. If "Photo" triggers in the "Semiautomatic" mode during a closing manoeuvre the "Automatic" closing manoeuvre is activated with the adjusted pause time.

Switch 6: On = Safety "Photo" also during the opening manoeuvre

The "Photo" safety device is normally just active during the closing manoeuvre; if Dip-Switch 6 is turned "On" the safety device will also trigger during the opening manoeuvre.

In the "Semiautomatic" or "Automatic" modes, the opening manoeuvre will start again immediately after the photocell has been disengaged.

Switch 7: On = Gradual departure

Starts the manoeuvre gradually, preventing the automatic system from being jolted.

Switch 8: On = Deceleration

Deceleration reduces speed to 30% of rated speed in order to prevent unnecessary jolts at the end of a manoeuvre.



As well as reducing the speed of the manoeuvre, the deceleration function also reduces motor torque by 70%.

For systems requiring elevated torque, this decrease may cause the motor to stop immediately.

ROBO – THOR version:

Following the opening or closing manoeuvre which takes place at the end of the Working Time. A deceleration phase lasting as the Working Time (TL) is carried out .

If the manoeuvre is terminated by the limit switches and the deceleration phase is not performed, adjust Working Time so that deceleration begins 30-50 cm before the limit switches cut in.

OTTO version:

Following the closing manoeuvre the deceleration phase lasts 3 s if triggered by the limit switches and as much as the Working Time (the deceleration function works better with the limit switches).

During the opening manoeuvre a gradual stopping function is used instead of the deceleration feature.

▲ If the deceleration function is used on sensitive installations and if this lasts more than 3 s, install a mains filter of at least 6A with attenuation of 30dB on the mains

power terminals near the control unit in order not to exceed the limits of electromagnetic emission specified in the EN 50081-1 standard.

Switch 9: On = Brake

At the end of the movement a motor brake procedure is performed, initially slight and then more incisive in order to stop the gate rapidly but without jolts.

Switch 10: On

ROBO - THOR

Without the PIU board fitted:

- Gate open indicator with proportional flashing

With the PIU board fitted:

- "Phototest"

OTTO

Without the PIU board fitted:

- Courtesy light time = 4 minutes

With the PIU board fitted:

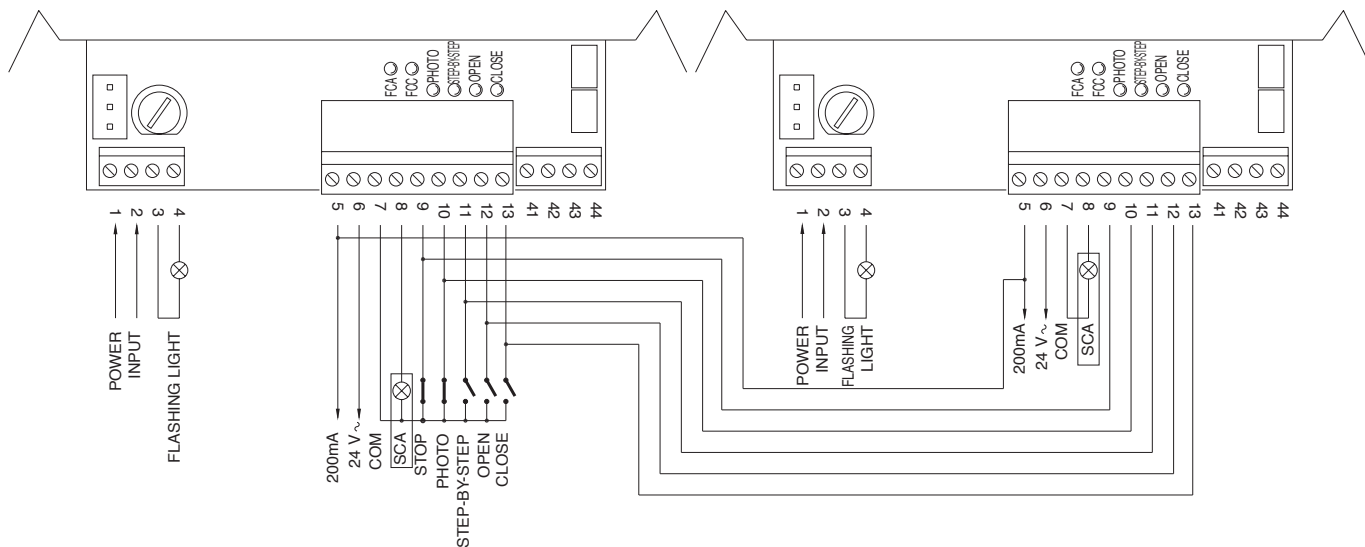
- "Phototest"

This function controls photocell efficiency at the beginning of each manoeuvre. See the "Phototest" chapter.

7) Using 2 control units on opposed leaves

To create an automation system working with 2 opposed leaves:

- Use two motors with the control units connected as indicated in **fig. 5**.
- Connect the flashing light and the "Gate Open Indicator" to any one of the two control units .
- The inputs must be connected in parallel.
- The "Common" of the inputs can be connected to one of the 2 control units.
- Connect the 0Volts (Terminal 5) of the two control units.
- The "Phototest" function must not be used
- The "Condominium" function (Dip-Switch 3) should be fitted as this allows the leaves to be resynchronised if the 2 control units become unsynchronised.



8) Accessories

“PIU” Card

The control unit is already fitted with all the functions used in a normal installation. In order to allow the system to be used in special installations, an optional card called “PIU” has been produced which adds new functions such as traffic light signalling, courtesy light, electric locking, “Photocell2”, partial opening and “Phototest”.

Red = Red traffic light
This is normally always off and switches on when the gate moves.

Green = Green traffic light
This is normally on and switches off when the gate moves

Electric lock = Output for electric lock command.
The electric lock is activated for 1.5 s. at the start of the opening movement.

**Courtesy light/
Phototest** = Output that if used to control the courtesy light, turns on a courtesy light at the beginning of each movement which remains on after the movement has finished for a time programmed with the T.Cor. trimmer on the “PIU” board.
If the “Phototest” function is activated (Dip-Switch 10 = ON) this output allows the photocells to be tested at the beginning of each manoeuvre.

“RADIO” Card

The control unit features a connector for plugging in a radio card, produced by Nice, which activates the “Step-by-Step” input and allows the control unit to be remote-controlled with a transmitter.

Partial open = Input for partial opening (Partial Open, Stop, Close, Stop). This performs the same function as the “Step-by-Step” on the main board, with the difference that the open manoeuvre lasts for the time set up on the T.A.P.P. trimmer on the “PIU” board.

Photo 2 = 2nd safety device input. This safety device cuts in just during the opening manoeuvre causing the gate to stop and eventually close if a “Semiautomatic” or “Automatic” operation mode is programmed on the control unit.

24 V = 24V output used to power services such as photocells or the like. Terminal 11 is also the common for the inputs.

9) Maintenance

The control unit, being electronic, needs no particular maintenance. However, periodically make sure (at least once every six months) that the device adjusting motor force is in perfect working order; adjust with the trimmer if necessary.

Carry out the whole test phase again to check that the limit switches, safety devices (photocells, pneumatic edges, etc.) and the flashing light are in perfect working order.

10) Disposal

This product is made from various kinds of material, some of which can be recycled.
Make sure you recycle or dispose of the product in compliance with current laws and bye-laws.

▲ Some electric components may contain polluting substances; do not dump them.

11) What to do if

This section will help fitters to solve some of the most common problems that may arise during installation.

No LED is on:

- Check whether the control unit is powered (check mains voltage is present at terminals 1-2 and a voltage of approx. 24Vac at terminals 5-6).
- Check the 2 mains fuses have not blown; if none of the Led's is on a serious fault has probably occurred and the control unit should therefore be replaced.

The OK LED flashes regularly but the INPUT Led's do not reflect the state of the respective inputs

- Carefully check the connections on input terminals 7-13.

The manoeuvre does not start

- Check that the Led's of the "Stop" (FCA + FCC), "Photo" and "Photo2", if installed, safety device are on and that the relative command Led that is activated ("Step-By-Step", "Open" or "Close") remains on for the whole duration of the command.

The gate changes direction during a manoeuvre

An inversion is caused by:

- The photocells triggering ("Photo2" during the opening manoeuvre, or "Photo" during the closing manoeuvre); in this case, check the connections of the photocells and check the input Led's.

12) Technical specifications

Mains power input	: 230 Vac 50/60 Hz
Versions /V1	: 120 Vac 50/60 Hz
Max. current for 24V services	: 200mA
Flashing lamp output	: For flashing lamps at mains voltage, maximum power 40 W
Gate open indicator output "SCA"	: For indicator lamps at 24 Vac, maximum power 2 W
Operating temperature	: -20 ÷ 70 °C
Working Time on ROBO/THOR	: Adjustable from 2.5 to >60 s, or from <50 a to >120 s with TLM
Working Time on OTTO	: Adjustable from 2.5 to >20 s, or from <20 to >40 s with TLM
Pause Time	: Adjustable from 5 to > 160 s.

On the PIU card

Partial opening time ROBO/THOR	: Adjustable from 1 to > 30 s.
Partial opening time OTTO	: Adjustable from 1 to > 14 s.
Courtesy light time	: Adjustable from 1 to > 180 s.

centrale comando

motoriduttori
robo, thor, otto

Indice:	pag.		pag.		
1	Descrizione del prodotto	17	6	Funzioni programmabili	23
2	Installazione	18	6.1	Descrizione delle funzioni	24
2.1	Impianto tipico	18	7	Utilizzo di 2 centrali su ante contrapposte	25
2.2	Collegamenti elettrici	18	8	Accessori Opzionali	26
2.2.1	Schema elettrico	19	9	Manutenzione	26
2.2.2	Descrizione dei collegamenti	19	10	Smaltimento	26
2.2.3	Fototest	20	11	Cosa fare se...	27
2.2.4	Verifica dei collegamenti	21	12	Caratteristiche tecniche	27
3	Regolazioni	21			
4	Collaudo	22			
5	Modi di funzionamento	23			

Avvertenze:

⚠ Il presente manuale è destinato solamente al personale tecnico qualificato per l'installazione. Nessuna informazione contenuta nel presente fascicolo può essere considerata d'interesse per l'utilizzatore finale!

Questo manuale è riferito solo a questa centrale e non deve essere utilizzato per prodotti diversi.

Si consiglia di leggere attentamente tutte le istruzioni, almeno una volta, prima di procedere con l'installazione.

1) Descrizione del prodotto:

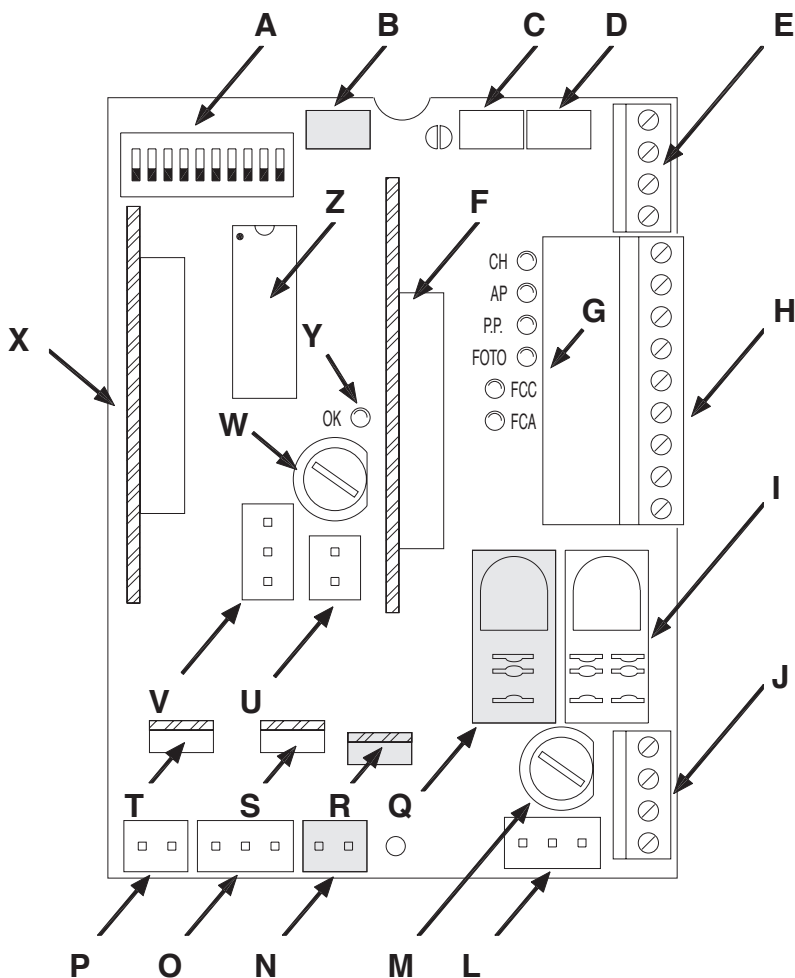
Questa centrale per l'automazione di cancelli e porte automatiche, permette di comandare i motoriduttori ROBO, THOR, OTTO, in corrente alternata monofase.

A seconda del tipo di motoriduttore da comandare, la centrale presenta delle differenze, quali ad esempio: "Regolazione di Forza", "Spia Cancelli Aperto" e "Luce di Cortesia".

Sono presenti inoltre una serie di funzioni selezionabili tramite dei Dip-Switch (mini selettori) e delle regolazioni effettuabili con dei Trimmer.

Dei Led posti vicino agli ingressi ne segnalano lo stato; un ulteriore Led presente vicino al microprocessore, segnala il corretto funzionamento della logica interna.

Per facilitare il riconoscimento delle parti, in **fig.1** sono indicati i componenti più significativi.



- A** Dip-Switch di selezione delle funzioni
- B** Trimmer di "Regolazione Forza"
- C** Trimmer di regolazione Tempo Lavoro (TL)
- D** Trimmer di regolazione Tempo Pausa (TP)
- E** Morsettiera per Antenna e 2° canale
- F** Innesso scheda RADIO
- G** Led di segnalazione stato ingressi
- H** Morsettiera Ingressi / Uscite di comando
- I** Relè "Comune"
- J** Morsettiera alimentazione / Lampeggiante
- L** Connettore primario trasformatore
- M** Fusibile di linea (5A)
- N** Connettore uscita "Luce di Cortesia" (solo su OTTO)
- O** Uscita alimentazione motore
- P** Connettore innesto condensatore
- Q** Relè "Spunto"
- R** Triac "Luce di Cortesia" (solo su OTTO)
- S** Triac "Chiude"
- T** Triac "Apri"
- U** Connettore secondario trasformatore
- V** Ingresso fincorsa FCA / FCC
- W** Fusibile di bassa tensione (500mA)
- X** Innesso scheda PIU
- Y** Led OK
- Z** Microprocessore

1

	Codice Prodotto*	Codice Centrale di Comando*	Funzione Aggiuntiva
ROBO	RO1000	ROA3	Trimmer di "Regolazione Forza"
	RO1020		
	RO1010	ROA4	Relè "Spunto"
THOR	TH1551	THA5	Trimmer di "Regolazione Forza"
	TH2251	THA6	Relè "Spunto"
OTTO	OT21	OTA1	Uscita "Luce di Cortesia"

* = aggiungere al codice V1 per versione a 120 V 50/60 Hz

2) Installazione:

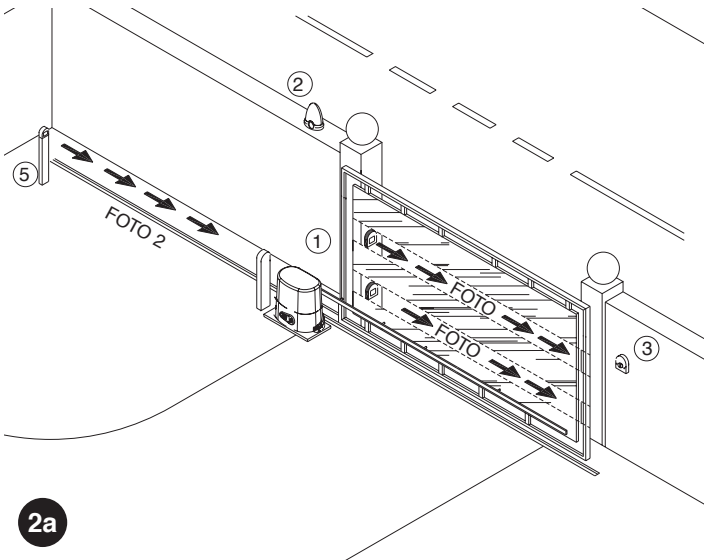
⚠ Ricordiamo che gli impianti di cancelli e porte automatiche devono essere installati solo da personale tecnico qualificato e

nel pieno rispetto delle norme di legge. Seguire attentamente le indicazioni del fascicolo : "Avvertenze per l'installatore".

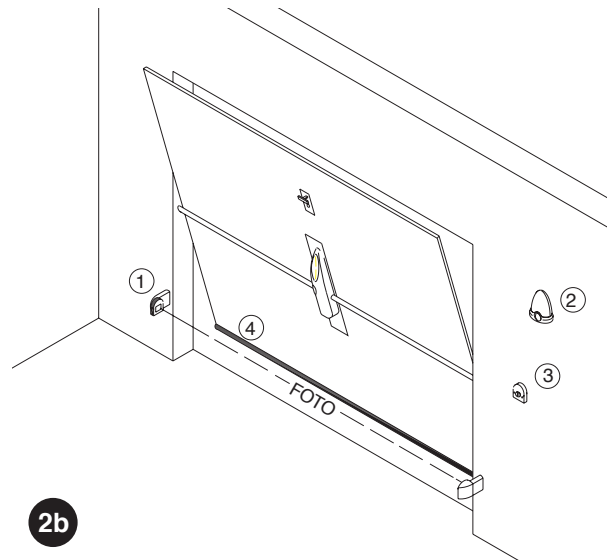
2.1) Impianto tipico

Per chiarire alcuni termini ed alcuni aspetti di un impianto di automazione per porte o cancelli, riportiamo un esempio tipico.

ROBO e THOR



OTTO



- 1) Coppia fotocellule "Foto"
- 2) Lampeggiante
- 3) Selettore a chiave
- 4) Costa pneumatica
- 5) Coppia fotocellule "Foto 2"

In particolare ricordiamo che:

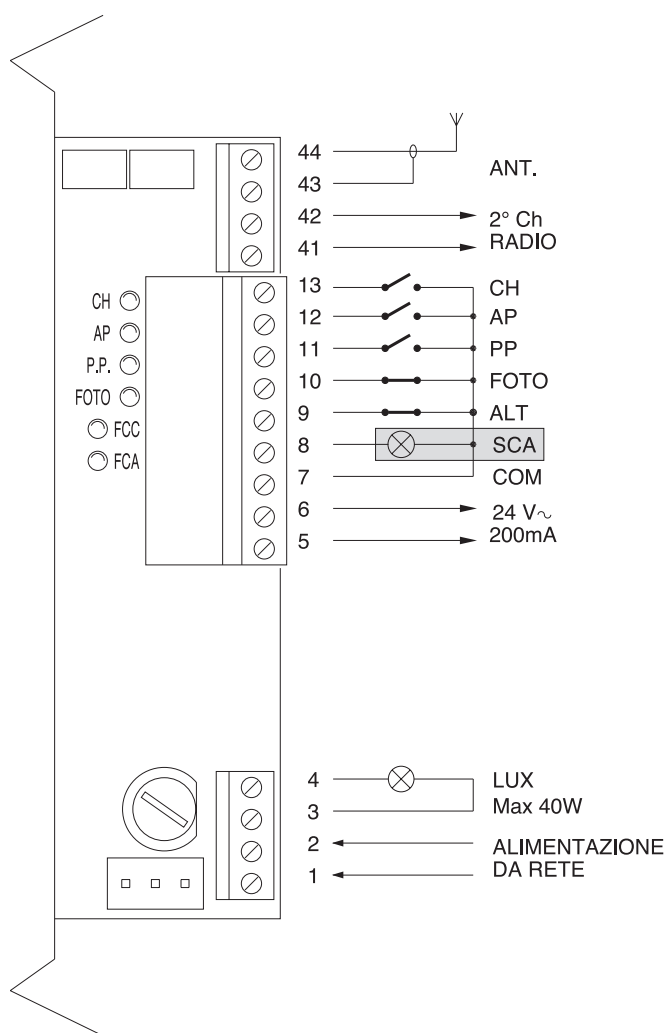
- Tutte le fotocellule prodotte da Nice dispongono del sistema di sincronismo che permette di eliminare il problema dell'interferenza tra due coppie di fotocellule (per altri particolari vedere le istruzioni delle fotocellule)
- La coppia di fotocellule "Foto" in apertura non ha effetto mentre provoca una inversione durante la chiusura.
- La coppia di fotocellule "Foto2" in chiusura non ha effetto mentre provoca una inversione durante l'apertura.

2.2) Collegamenti elettrici

⚠ Per garantire l'incolumità dell'operatore e per prevenire danni ai componenti, mentre si effettuano i collegamenti o si innestano le varie schede la centrale deve essere assolutamente spenta.

- Alimentare la centrale attraverso un cavo da 3 x 1,5mm². Se la distanza fra la centrale e la connessione all'impianto di terra supera i 30m è necessario prevedere un dispersore di terra in prossimità della centrale.
- Nei collegamenti della parte a bassissima tensione di sicurezza usare cavetti di sezione minima pari a 0,25mm².
- Usare cavetti schermati se la lunghezza supera i 30m collegando la calza a terra solo dal lato della centrale.
- Evitare di fare connessioni ai cavi in casse interrate anche se completamente stagne.
- Gli ingressi dei contatti di tipo Normalmente Chiuso (NC), se non usati, vanno ponticellati con "comune 24V" esclusi gli ingressi delle fotocellule nel caso sia inserita la funzione di "Fototest". Per ulteriori chiarimenti vedere paragrafo "Fototest".
- Se per lo stesso ingresso ci sono più contatti (NC) vanno posti in serie tra di loro.
- Gli ingressi dei contatti di tipo Normalmente Aperto (NA) se non usati vanno lasciati liberi.
- Se per lo stesso ingresso ci sono più contatti (NA) vanno posti in parallelo tra di loro.
- I contatti devono essere assolutamente di tipo meccanico e svincolati da qualsiasi potenziale, non sono ammessi collegamenti a stadi tipo quelli definiti "PNP", "NPN", "Open Collector" ecc.

2.2.1) Schema elettrico



3

2.2.2) Descrizione dei collegamenti

Riportiamo una breve descrizione dei possibili collegamenti della centrale verso l'esterno.

Morsetti	Funzione	Descrizione
1-2	Alimentazione	= Linea di alimentazione da rete
3-4	Lampeggiante	= Uscita per collegamento del lampeggiante a tensione di rete (Max. 40W)
5-6	24 Vac	= Alimentazione servizi 24Vac (Foto, Radio, ecc.) Max 200mA
7	Comune	= Comune per tutti gli ingressi
8	Spia C.A. (SCA)	= "Spia Cannello Aperto" 24Vac max. 2W (Non presente su versione OTTO)
9	Alt	= Ingresso con funzione di arresto della manovra con breve inversione del moto
10	Foto	= Ingresso per dispositivi di sicurezza (fotocellule, coste pneumatiche)
11	Passo-Passo (PP)	= Ingresso per movimento ciclico ("Apri" - "Stop" - "Chiude" - "Stop")
12	Apri	= Ingresso per movimento in apertura
13	Chiude	= Ingresso per movimento in chiusura
41-42	2° Ch Radio	= Uscita dell'eventuale secondo canale del ricevitore radio
43-44	Antenna	= Ingresso per antenna del ricevitore radio

2.2.3) Fototest

Il "Fototest", aumenta l'affidabilità dei dispositivi di sicurezza; permettendo di raggiungere la "categoria 2" secondo la norma UNI EN 954-1 (ediz. 12/1998) per quanto riguarda l'insieme centrale e fotocellule di sicurezza.

Ogni volta che viene avviata una manovra vengono controllati i dispositivi di sicurezza coinvolti; solo se tutto è a posto la manovra ha inizio. Se invece il test non dà esito positivo (fotocellula accecata dal sole, cavi in corto circuito, ecc.) viene individuato il guasto e la manovra non viene eseguita.

Per ottenere la funzione "Fototest" è necessario:

- Utilizzare la scheda aggiuntiva PIU.
- Impostare il Dip-Switch 10 ON
- Realizzare una particolare configurazione nei collegamenti dei dispositivi di sicurezza come in **fig.4a** che prevede di collegare l'alimentazione dei trasmettitori delle fotocellule non direttamente dall'uscita dei servizi, ma interrompendo tale alimentazione passando per i morsetti 7 e 8 della scheda PIU. La corrente massima utilizzabile sull'uscita "Fototest" della scheda PIU è di 100mA (2 coppie di fotocellule Nice)
- Alimentare i ricevitori direttamente dall'uscita servizi della centrale (morsetti 5-6).

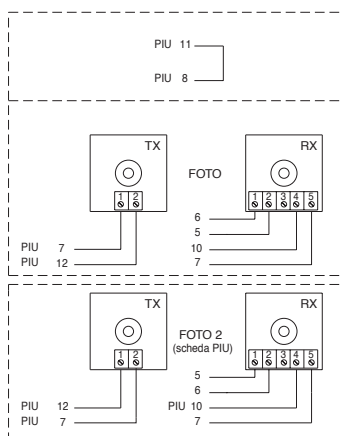
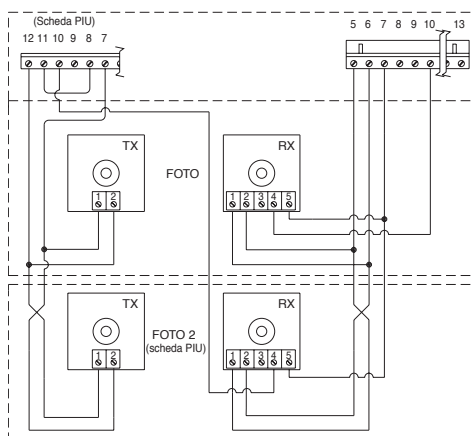


Se in un secondo momento non si desiderasse più utilizzare la funzione di Fototest, sarà necessario abbassare il Dip-Switch 10 e modificare la configurazione dei collegamenti come indicato nella **fig.4b**.

Il test delle fotocellule avviene in questo modo: quando è richiesto un movimento, in primo luogo viene controllato che tutti i ricevitori interessati dal movimento diano il consenso, poi viene spenta l'alimentazione ai trasmettitori e quindi verificato che tutti i ricevitori segnalino il fatto togliendo il loro consenso; infine viene riattivata l'alimentazione dei trasmettitori e quindi nuovamente verificato il consenso da parte di tutti i ricevitori. Solo se questa sequenza ha esito positivo, la manovra verrà avviata.

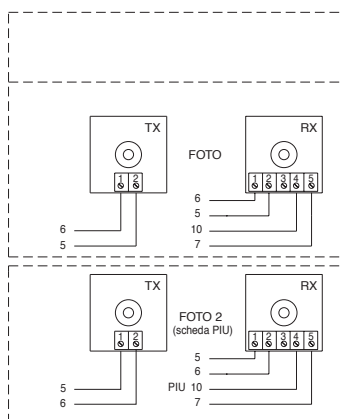
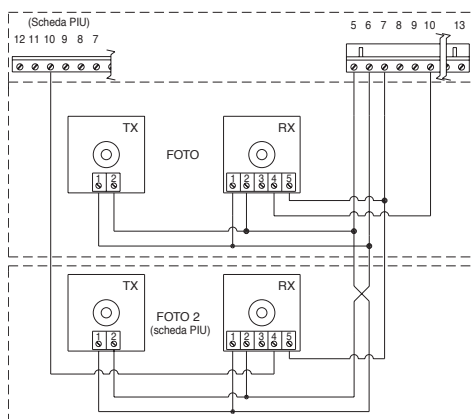
È sempre bene inoltre attivare il sincronismo attraverso il taglio degli appositi ponticelli sui trasmettitori; questo è l'unico metodo per garantire che due coppie di fotocellule non interferiscano tra loro. Verificare sul manuale delle fotocellule le istruzioni per il funzionamento sincronizzato.

Nel caso un ingresso sottoposto a "Fototest" non venga utilizzato (Esempio "Foto2") e si desideri comunque la funzione fototest occorre ponticellare l'ingresso non usato come indicato in **fig.4c**.



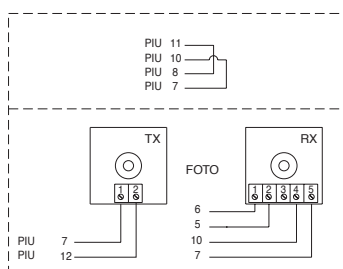
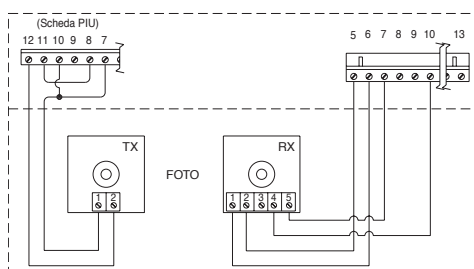
4a

"Foto" e "Foto2" con "Fototest"



4b

"Foto" e "Foto2" senza "Fototest"



4c

"Foto" con "Fototest"

2.2.4) Verifica dei collegamenti

⚠ Le prossime operazioni vi porteranno ad agire su circuiti sotto tensione. La maggior parte dei circuiti sono sottoposti a bassissima tensione di sicurezza e quindi non pericolosa, alcune parti sono sottoposte a tensione di rete quindi **ALTAMENTE PERICOLOSE!** Prestate la massima attenzione a ciò che fate e **NON OPERATE MAI DA SOLI!**

- Alimentare la centrale e subito verificare che tra i morsetti 5-6 vi siano circa 24Vac.
- Verificare che, dopo pochi istanti di lampeggio veloce, il Led "OK" lampeggi ad una cadenza regolare.
- Ora verificare che i Led relativi agli ingressi con contatti tipo (NC) siano accesi (tutte le sicurezze attive) e che i Led relativi ad ingressi tipo (NA) siano spenti (nessun comando presente). Se questo non avviene controllare i collegamenti e l'efficienza dei vari dispositivi. L'ingresso di "Alt" interviene spegnendo sia il finecorsa FCA che FCC.
- Verificare l'esatto collegamento dei finecorsa; muovere la leva del finecorsa e verificare che il relativo finecorsa intervenga spegnendo il corrispondente led sulla centrale.
- Sbloccare l'anta e portarla a metà della corsa, poi bloccare. In questo modo l'anta è libera di muoversi sia in apertura che in chiusura.
- Ora bisognerà verificare se il movimento avviene nella direzione corretta, cioè controllare la corrispondenza tra il movimento previsto dalla centrale e quello effettivo delle ante. Questa verifica è fondamentale, se la direzione è sbagliata in alcuni casi (ad esempio in modo "Semiautomatico") l'automatismo potrebbe in apparenza

funzionare regolarmente, infatti il ciclo "Apre" è simile al ciclo "Chiude", con la fondamentale differenza che i dispositivi di sicurezza verranno ignorati nella manovra di "Chiude", che normalmente è la più pericolosa, ed interverranno in apertura provocando una richiusura addosso all'ostacolo con effetti disastrosi!

- Per verificare che il senso di rotazione sia esatto è sufficiente dare un breve impulso sull'ingresso PP; la prima manovra che la centrale esegue dopo essere stata alimentata è sempre "Apre", quindi è sufficiente verificare che l'automatismo si muova nel senso dell'apertura. Nel caso il movimento sia avvenuto in senso errato occorre:
 - Spegnere alimentazione
 - Ruotare di 180° il connettore di alimentazione del motore e quello dei finecorsa. (Rif. "O" e rif. "V" di **fig.1**)
 - Eseguito quanto descritto, riprovare se il senso di rotazione è corretto ripetendo l'ultimo punto.



Il Led "OK" posizionato al centro della scheda, ha il compito di segnalare lo stato della logica interna: un lampeggio regolare ed alla cadenza di 1 secondo indica che il microprocessore interno è attivo ed è in attesa di comandi. Quando invece lo stesso microprocessore riconosce una variazione dello stato di un ingresso (sia ingresso di comando che Dip-Switch delle funzioni) genera un doppio lampeggio veloce, questo anche se la variazione non provoca effetti immediati. Un lampeggio molto veloce per 3s. indica che la centrale è appena stata alimentata e sta eseguendo un test delle parti interne; infine un lampeggio non costante indica che il test non è andato a buon fine e quindi c'è un guasto.

3) Regolazioni:

Le regolazioni sono effettuabili attraverso dei Trimmer che agiscono modificando i seguenti parametri:

Tempo Lavoro (TL):

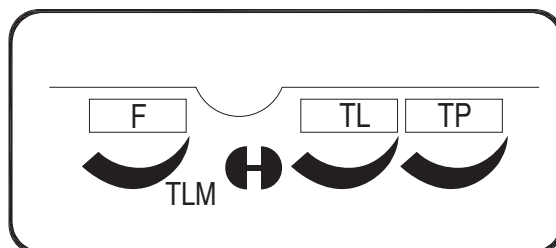
Regola la durata massima della manovra di apertura o chiusura.

Per la regolazione del TL, selezionare il modo di funzionamento "Semiautomatico" ponendo in ON il Dip-Switch 1 quindi regolare il Trimmer TL a metà corsa. Con queste regolazioni eseguire un ciclo di apertura e di chiusura ed eventualmente intervenire sulla regolazione del Trimmer TL in modo tale che sia sufficiente ad eseguire tutta la manovra e rimanga ancora un margine di 2s. o 3s. Nel caso in cui anche ponendo il Trimmer TL al massimo non si ottenga un tempo sufficiente, tagliare il ponticello TLM, posto sullo stampato tra i Trimmer TL e TP, in modo da ottenere un Tempo Lavoro Maggiorato (TLM).

Tempo Pausa (TP):

Nel funzionamento "Automatico" regola il tempo tra il termine della manovra di apertura e l'inizio della manovra di chiusura.

Per la regolazione del TP, selezionare il modo di funzionamento "Automatico" spostando in ON il Dip-Switch 2, quindi regolare il Trimmer TP a piacere. Per la verifica occorre eseguire una manovra di apertura, quindi controllare il tempo che trascorre prima della richiusura "Automatica".



Forza (F):

Presente sulla centrale di comando per permette di regolare il valore della "Forza" massima.

Particolare attenzione deve essere posta nella regolazione del Trimmer "Forza", perché questa regolazione può influire sul grado di sicurezza dell'automazione. Per la regolazione occorre procedere per tentativi successivi misurando la forza applicata dall'anta e comparandola con quanto previsto dalle normative.

Nelle centrali per RO1010 e OT21 la "Forza" viene regolata attraverso un selettore a più posizioni posto sul contenitore del trasformatore di alimentazione della centrale.

4) Collaudo

Terminate le verifiche e le regolazioni è possibile passare al collaudo dell'impianto.

⚠ Il collaudo dell'automazione deve essere eseguito da personale qualificato ed esperto che dovrà farsi carico di stabilire le prove previste in funzione del rischio presente.

Il collaudo è la parte più importante di tutta la realizzazione dell'automazione. Ogni singolo componente, ad esempio motoriduttore, arresto di emergenza, fotocellule ecc. può richiedere una specifica fase di collaudo e per questo si consiglia di seguire le procedure riportate nei rispettivi manuali di istruzioni.

Per il collaudo della centrale eseguire la seguente sequenza di operazioni:

1. Selezione funzioni:
 - Impostare ON il Dip-Switch 1 (Funzionamento "Semiautomatico")
 - Se si sono realizzati i collegamenti di **fig.4a** per l'utilizzo della funzione di "Fototest" (se presente scheda PIU), impostare ON il Dip-Switch 10 (Funzione "Fototest").
 - Impostare OFF tutti gli altri Dip-Switch
2. Premere e il tasto di comando "Apre" oppure "Passo-Passo" e verificare che:
 - si attivi il lampeggiante
 - inizi una manovra di apertura
 - il movimento si arresti, al raggiungimento del finecorsa di apertura FCA.
3. Premere il tasto di comando "Chiude" oppure "Passo-Passo" e verificare che:
 - si attivi il lampeggiante
 - parta una manovra di chiusura
 - il movimento si arresti, al raggiungimento del finecorsa di chiusura FCC
4. Far partire una manovra di apertura e verificare che durante la manovra l'intervento di un dispositivo:
 - Collegato all'ingresso "Alt", provochi l'arresto con breve inversione del moto
 - Collegato all'ingresso "Foto", non abbia nessun effetto
 - Collegato all'ingresso "Foto2", provochi la fermata e l'inversione della manovra (se presente scheda PIU)
5. Far partire una manovra di chiusura e verificare che durante la manovra l'intervento di un dispositivo:
 - Collegato all'ingresso "Alt", provochi l'arresto con breve inversione del moto
 - Collegato all'ingresso "Foto", provochi la fermata e l'inversione della manovra
 - Collegato all'ingresso "Foto2", non abbia nessun effetto (se presente scheda PIU)
6. Sugli ingressi collegati, verificare che l'attivazione dell'ingresso provochi un passo nella sequenza:
 - Ingresso "Passo-Passo": Sequenza = "Apre" – "Stop" – "Chiude" – "Stop"
 - Ingresso "Apre": Sequenza = "Apre" – "Stop" – "Apre" – "Stop"
 - Ingresso "Chiude": Sequenza = "Chiude" – "Stop" – "Chiude" – "Stop"
 - Ingresso "Apre Parziale": Sequenza = "Apre Parziale" – "Stop" – "Chiude" – "Stop" (se presente scheda PIU).
7. Se si utilizza la funzione "Fototest" verificare l'efficienza del test (se presente scheda PIU):
 - Interrompere la fotocellula "Foto", quindi far partire una manovra e verificare che questa non venga eseguita
 - Interrompere la fotocellula "Foto2", quindi far partire una manovra e verificare che questa non venga eseguita
 - Cortocircuitare il contatto della fotocellula "Foto", quindi far partire una manovra e verificare che questa non venga eseguita
 - Cortocircuitare il contatto della fotocellula "Foto2", quindi far partire una manovra e verificare che questa non venga eseguita
8. Eseguire le prove per la rilevazione delle "Forze" di Impatto come previsto della EN 12445.

Se al termine del collaudo vengono attivate ulteriori funzioni programmabili che possono ridurre la sicurezza dell'impianto, è necessario effettuare un collaudo specifico di tali funzioni.

5) Modi di funzionamento

Nel funzionamento in modo manuale, l'ingresso "Apre" consente il movimento in apertura, l'ingresso "Chiude" consente il movimento in chiusura. Il "Passo-Passo" consente il movimento alternativamente in apertura e in chiusura.

Non appena cessa il comando in ingresso, il movimento si arresta. In apertura il movimento si arresta quando intervengono i finecorsa oppure se manca il consenso dalla "Foto2" (su scheda PIU); in chiusura invece il movimento si arresta se manca il consenso di "Foto". Sia in apertura che in chiusura un intervento su "Alt" provoca sempre un immediato arresto del movimento. Una volta che un movimento si è arrestato è necessario far cessare il comando in ingresso prima che un nuovo comando possa far iniziare un nuovo movimento.

Nel funzionamento in uno dei modi automatici ("Semiautomatico", "Automatico" o "Chiude Sempre") un impulso di comando sull'ingresso "Apre" provoca il movimento in apertura. Un impulso su "Passo-Passo" provoca alternativamente apertura o chiusura. Un secondo impulso sul "Passo-Passo" o sullo stesso ingresso che ha

iniziato il movimento provoca uno "Stop".

Sia in apertura che in chiusura un intervento su "Alt" provoca un immediato arresto del movimento.

Se in un ingresso di comando invece di un impulso viene mantenuto un segnale continuo si provoca uno stato di "prevalenza" in cui gli altri ingressi di comando rimangono disabilitati (**utile per collegare un orologio o un selettore Notte-Giorno**).

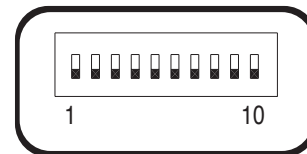
Nel caso fosse selezionato il modo di funzionamento automatico, dopo una manovra di apertura, viene eseguita una pausa, al termine, viene eseguita una chiusura. Se durante la pausa vi fosse un intervento di "Foto", il temporizzatore verrà ripristinato con un nuovo Tempo Pausa; se invece durante la pausa si interviene su "Alt" la funzione di richiusura viene cancellata e si passa in uno stato di "Stop".

In apertura l'intervento di "Foto" non ha alcun effetto mentre la "Foto2" (su scheda PIU) provoca l'inversione del moto; in chiusura l'intervento di "Foto" provoca una inversione del moto, poi una pausa, quindi una richiusura.

6) Funzioni programmabili

La centrale dispone di una serie di microinterruttori che permettono di attivare varie funzioni al fine di rendere l'impianto più adatto alle esigenze dell'utilizzatore e più sicuro nelle varie condizioni d'uso. Le funzioni si attivano ponendo il relativo dip-switch in posizione "On" mentre non sono inserite con il corrispondente Dip-Switch in "Off".

▲ Alcune delle funzioni programmabili sono legate ad aspetti della sicurezza. Valutare con molta attenzione gli effetti di ogni funzione, verificando quale sia quella che dia la maggior sicurezza possibile.



I Dip-Switch permettono di selezionare i vari modi di funzionamento e di inserire le funzioni desiderate secondo la seguente tabella:

Switch 1-2:	Off-Off	= Movimento "Manuale" cioè uomo presente
	On -Off	= Movimento "Semiautomatico"
	Off-On	= Movimento "Automatico" cioè chiusura automatica
	On -On	= Movimento "Automatico" + Chiude Sempre
Switch 3:	On	= Funzionamento Condominiale < non disponibile in modo manuale >
Switch 4:	On	= Prelampeggio
Switch 5:	On	= Richiudi 5 s. dopo "Foto" < se in "Automatico" > o Chiudi dopo Foto < se in "Semiautomatico" >
Switch 6:	On	= Sicurezza "Foto" anche in apertura
Switch 7:	On	= Partenza graduale
Switch 8:	On	= Rallentamento
Switch 9:	On	= Freno
Switch 10:	Senza scheda PIU	(su Robo) On = Spia Cannello Aperto (SCA) con lampeggio proporzionale
		(su Otto) On = Tempo luce di cortesia = 4 minuti
	Con scheda PIU	On = Funzione "Fototest"

NOTA: Alcune funzioni sono possibili solo in determinate condizioni; queste sono segnalate con le note tra i caratteri "<...>".

6.1) Descrizione delle funzioni

Riportiamo ora una breve descrizione delle funzioni che si possono inserire portando in "On" il relativo Dip-Switch

Switch 1-2: Off-Off	= Movimento "Manuale" (uomo presente)
On-Off	= Movimento "Semiautomatico"
Off-On	= Movimento "Automatico" (chiusura automatica)
On-On	= Movimento "Automatico" + "Chiude Sempre"

Nel funzionamento "Manuale" il movimento viene eseguito solo fino alla presenza del comando (tasto premuto).

In "Semiautomatico" basta un impulso di comando per far eseguire tutto il movimento fino allo scadere del Tempo Lavoro o al raggiungimento del finecorsa. Nel funzionamento in modo "Automatico", dopo una apertura viene eseguita una pausa, quindi la chiusura avviene automaticamente.

La funzione "Chiude Sempre" interviene dopo una mancanza di alimentazione; se viene rilevato il cancello aperto si avvia automaticamente una manovra di chiusura preceduta da 5 secondi di prelampeggio.

Switch 3: On	= Funzionamento Condominiale (non disponibile in modo manuale)
---------------------	--

Nel funzionamento condominiale, una volta avviato un movimento in apertura la manovra non può essere interrotta da altri impulsi di comando su "Passo-Passo" o "Apre" fino alla fine del movimento in apertura.

Nel movimento in chiusura un nuovo impulso di comando provoca l'arresto e l'inversione del movimento in apertura.

Switch 4: On	= Prelampeggio
---------------------	----------------

All'impulso di comando viene prima attivato il lampeggiante poi, dopo 5s. (2s. se in "Manuale"), inizia il movimento.

Switch 5: On	= Richiudi 5 s. dopo Foto < se in "Automatico" > o Chiudi dopo Foto < se in "Semiautomatico" >
---------------------	--

Questa funzione, se in "Automatico" permette di tenere il cancello aperto solo per il tempo necessario al transito, infatti al termine dell'intervento di "Foto" la manovra si arresta. Dopo 5s. partirà automaticamente una manovra di chiusura. Se in "Semiautomatico", un intervento di "Foto" nella manovra di chiusura attiva la chiusura automatica con il Tempo Pausa regolato.

Switch 6: On	= Sicurezza "Foto" anche in apertura
---------------------	--------------------------------------

Normalmente la sicurezza "Foto" è attiva solo nella manovra di chiusura, se lo Dip-Switch 6 viene posto su "On" l'intervento del dispositivo di sicurezza provoca una interruzione del movimento anche in apertura.

Se in "Semiautomatico" o "Automatico" si avrà la ripresa del moto in apertura subito dopo il disimpegno.

Switch 7: On	= Partenza graduale
---------------------	---------------------

Esegue l'inizio del movimento in modo graduale evitando gli indesiderati scossoni dell'automazione

Switch 8: On	= Rallentamento
---------------------	-----------------

Il rallentamento consiste in una riduzione della velocità al 30% della velocità nominale in modo da evitare inutili scossoni alla fine della manovra.



La funzione di rallentamento oltre che diminuire la velocità dell'automazione riduce del 70% la coppia del motore.

In automazioni che richiedono una coppia elevata, questa riduzione potrebbe provocare l'arresto immediato del motore.

Versione per ROBO e THOR:

Al termine della manovra di apertura o chiusura dovuta al termine del Tempo Lavoro, viene eseguita una fase di rallentamento che dura quanto il Tempo Lavoro.

Se la manovra termina per intervento dei finecorsa la fase di rallentamento non viene eseguita; occorre quindi regolare il Tempo Lavoro affinché inizi il rallentamento 30-50cm prima dell'intervento dei finecorsa.

Versione per OTTO:

Al termine della manovra di chiusura la fase di rallentamento dura 3 s. se innescata dall'intervento dei finecorsa, quanto il Tempo Lavoro se innescata dal termine del Tempo Lavoro (per un buon funzionamento del rallentamento è consigliato l'uso dei finecorsa.)

Nella manovra di apertura non viene eseguito il rallentamento ma una fermata graduale.

▲ Nel caso si utilizzi la funzione di rallentamento su installazioni sensibili e se questa duri più di 3 s. è necessario inserire sui morsetti di alimentazione da rete

in prossimità della centrale un filtro di rete da almeno 6A con attenuazione di 30dB per non superare i limiti di emissione elettromagnetica dettati dalla norma EN 50081-1.

Switch 9: On = Freno

Al termine del movimento viene eseguita una procedura di freno al motore, inizialmente blanda poi più incisiva in modo da fermare il cancello velocemente ma senza scossoni.

Switch 10: On

ROBO e THOR

Senza scheda PIU inserita:

- "Spia Cancellato Aperto" con lampeggio proporzionale

Con scheda PIU inserita:

- "Fototest"

OTTO

Senza scheda PIU inserita:

- Tempo "Luce di Cortesia" = 4 minuti

Con scheda PIU inserita:

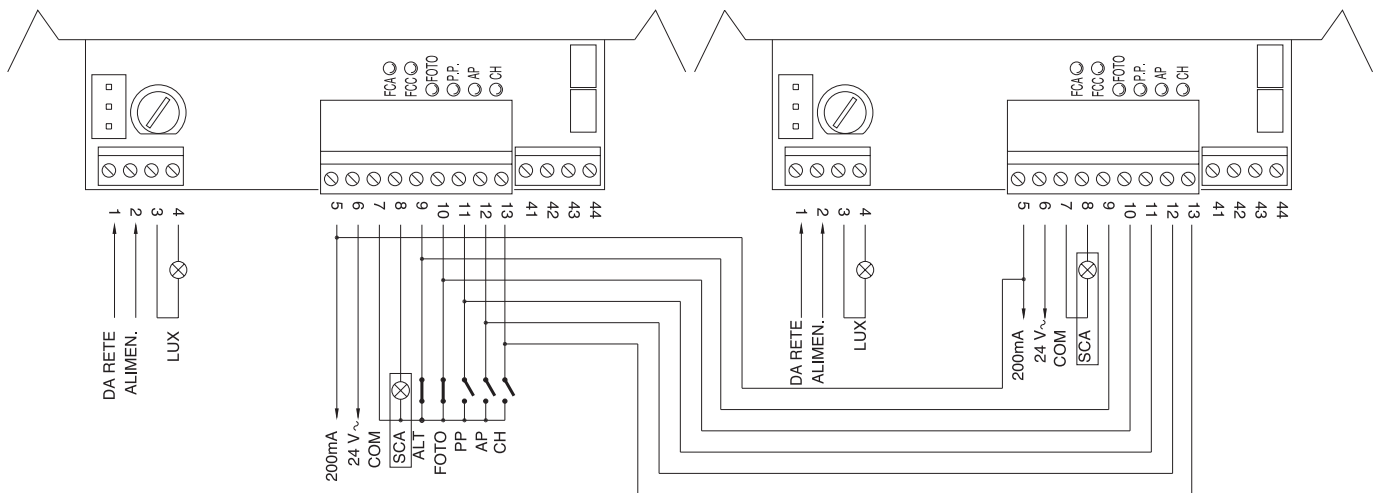
- "Fototest"

Questa funzione permette di eseguire ad ogni inizio manovra un controllo dell'efficienza delle fotocellule. Vedere capitolo "Fototest".

7) Utilizzo di due centrali su ante contrapposte

Per realizzare una automazione con 2 ante che lavorano in modo contrapposto è necessario:

- Usare due motori con le centrali collegate come indicato nella **fig.5**.
- Collegare il lampeggiante e la "Spia Cancellato Aperto" indifferenzialmente ad una delle due centrali.
- Gli ingressi devono essere posti in parallelo tra loro.
- Il "Comune" degli ingressi può essere collegato ad una delle 2 centrali.
- Collegare assieme i 0Volt (Morsetto 5) delle due centrali.
- Non deve essere utilizzata la funzione "Fototest".
- È opportuno inserire la funzione "Condominiale" (Dip-Switch 3) che permette di risincronizzare le ante qualora le 2 centrali perdano il sincronismo.



8) Accessori opzionali

Scheda PIU

La centrale contiene già tutte le funzioni che vengono utilizzate in una normale installazione. Per sopperire alle richieste di utilizzo in impianti particolari, è stata predisposta una scheda opzionale PIU che permette di aggiungere nuove funzioni quali segnalazione semaforica, luce di cortesia, Elettroserratura, "Foto2", apertura parziale e "Fototest".

Rosso = Luce rossa del semaforo
È normalmente sempre spenta, si accende durante il movimento del cancello

Verde = Luce verde del semaforo
Rimane normalmente accesa, si spegne durante il movimento del cancello

Elettroserratura = Uscita per comando elettroserratura.
L'elettroserratura viene attivata per 1,5 s. all'inizio del movimento in apertura.

**Luce Cortesia/
Fototest** = Uscita che se utilizzata per il comando luce di cortesia, consente di accendere all'inizio di ogni movimento una Luce di Cortesia che rimane accesa oltre il termine del movimento anche per il tempo programmato con il Trimmer Tempo Luce di Cortesia presente sulla scheda PIU.
Se si attiva la funzione "Fototest" (Dip-Switch 10 = ON) questa uscita consente di eseguire un test delle fotocellule ad inizio manovra.

Aprire parziale = Ingresso per apertura parziale ("Aprire" - "Parziale", "Stop", "Chiudere", "Stop"). Eseguire la medesima funzione del "Passo-Passo" sulla scheda principale, con la differenza che la manovra di "Aprire" dura per il tempo impostato sul Trimmer "Tempo Apertura Parziale" presente sulla scheda PIU.

Foto 2 = Ingresso 2° dispositivo di sicurezza. Questo dispositivo interviene nella sola manovra di apertura provocando un arresto del movimento, con eventuale richiusura se sulla centrale è programmato il modo di funzionamento "Semiautomatico" o "Automatico".

24 V = Uscita 24V utilizzabile per alimentazione i servizi come fotocellule o altro. Il morsetto 11 è anche il comune per gli ingressi.

Scheda RADIO

Nella centrale è predisposto un connettore per l'inserimento di una scheda radio, Nice, che permette di agire sull'ingresso di "Passo-Passo" e comandare in questo modo la centrale a distanza tramite un trasmettitore.

9) Manutenzione

La centrale come parte elettronica, non necessita di alcuna manutenzione particolare. Verificare comunque periodicamente (almeno ogni 6 mesi), la perfetta efficienza e la regolazione del dispositivo di regolazione della Forza del motore, eventualmente agire sul trimmer di regolazione.

Rieseguire per intero la fase di collaudo per controllare la corretta efficienza dei fincorsa, dei dispositivi di sicurezza (fotocellule, coste pneumatiche, ecc.) del lampeggiante.

10) Smaltimento

Questo prodotto è costituito da vari tipi di materiali, alcuni possono essere riciclati. Informatevi sui sistemi di riciclaggio o smaltimento del prodotto attenendovi alle norme di legge vigenti a livello locale.

▲ Alcuni componenti elettrici potrebbero contenere sostanze inquinanti, non disperdere nell'ambiente.

11) Cosa fare se....

Questa vuole essere una guida per aiutare l'installatore a risolvere alcuni dei più comuni problemi che si possono presentare durante l'installazione.

Nessun LED risulta acceso

- Verificare se la centrale è alimentata (verificare che sui morsetti 1-2 sia presente la tensione di rete e sui morsetti 5-6 una tensione di 24Vac circa.)
- Verificare se i 2 fusibili di alimentazione sono integri: se neppure in questo caso nessun Led risulta acceso è probabile sia presente un guasto grave e quindi la centrale dovrà essere sostituita.

IL Led OK lampeggia regolarmente ma i led INGRESSI non rispecchiano lo stato dei rispettivi ingressi

- Verificare con attenzione i collegamenti sui morsetti degli ingressi 7÷13.

La manovra non parte

- Verificare che i Led delle sicurezze "Alt" (FCA + FCC) , "Foto", ed eventualmente "Foto2" siano accesi e che il Led del comando che viene attivato ("Passo-Passo", "Apre" o "Chiude") si accenda per la durata del comando.

Durante il movimento il cancello effettua un'inversione

La causa che provoca un'inversione è:

- Un intervento delle fotocellule ("Foto2" in apertura, o "Foto" durante la chiusura); controllare i collegamenti delle fotocellule ed eventualmente verificare i Led di segnalazione degli ingressi.

12) Caratteristiche tecniche

Alimentazione da rete	: 230 Vac 50/60 Hz
Versioni /V1	: 120 Vac 50/60 Hz
Corrente Max servizi 24 V	: 200mA
Uscita lampeggiante	: Per lampeggianti a tensione di rete, potenza massima 40 W
Uscita spia cancello aperto "SCA"	: Per lampade spia 24Vac, potenza massima 2 W
Temperatura di esercizio	: -20 ÷ 70 °C
Tempo Lavoro ROBO/THOR	: Regolabile da 2.5 a > 60 s, oppure da < 50 a > 120 s con TLM
Tempo Lavoro OTTO	: Regolabile da 2.5 a > 20 s, oppure da < 20 a > 40 s con TLM
Tempo Pausa	: Regolabile da 5 a > 160 s.

su Scheda PIU

Tempo Ap. Parziale ROBO/THOR	: Regolabile da 1 a > 30 s.
Tempo Ap. Parziale OTTO	: Regolabile da 1 a > 14 s.
Tempo luce di cortesia	: Regolabile da 1 a > 180 s.

armoire de commande

opérateurs robo, thor, otto

Table des matières:

	page		page
1	Description du produit	29	
2	Installation	30	
2.1	Installation typique	30	
2.2	Connexions électriques	30	
2.2.1	Schéma électrique	31	
2.2.2	Description des connexions	31	
2.2.3	Photo-test	32	
2.2.4	Vérification des connexions	33	
3	Réglages	33	
4	Essai de fonctionnement	34	
5	Modes de fonctionnement	35	
6	Fonctions programmables	35	
6.1	Description des fonctions	36	
7	Utilisation de 2 centrales sur battants antagoniques	37	
8	Accessoires en option	38	
9	Maintenance	38	
10	Mise au rebut	38	
11	Que faire si...	39	
12	Caractéristiques techniques	39	

Recommandations:

⚠ Ce manuel est destiné exclusivement au personnel technique qualifié pour l'installation. Aucune information contenue dans ce fascicule ne peut être considérée comme intéressante pour l'utilisateur final!

Ce manuel se réfère uniquement à cette armoire de commande et ne doit pas être utilisé pour des produits différents.

Nous conseillons de lire attentivement toutes les instructions, au moins une fois, avant de procéder à l'installation.

1) Description du produit:

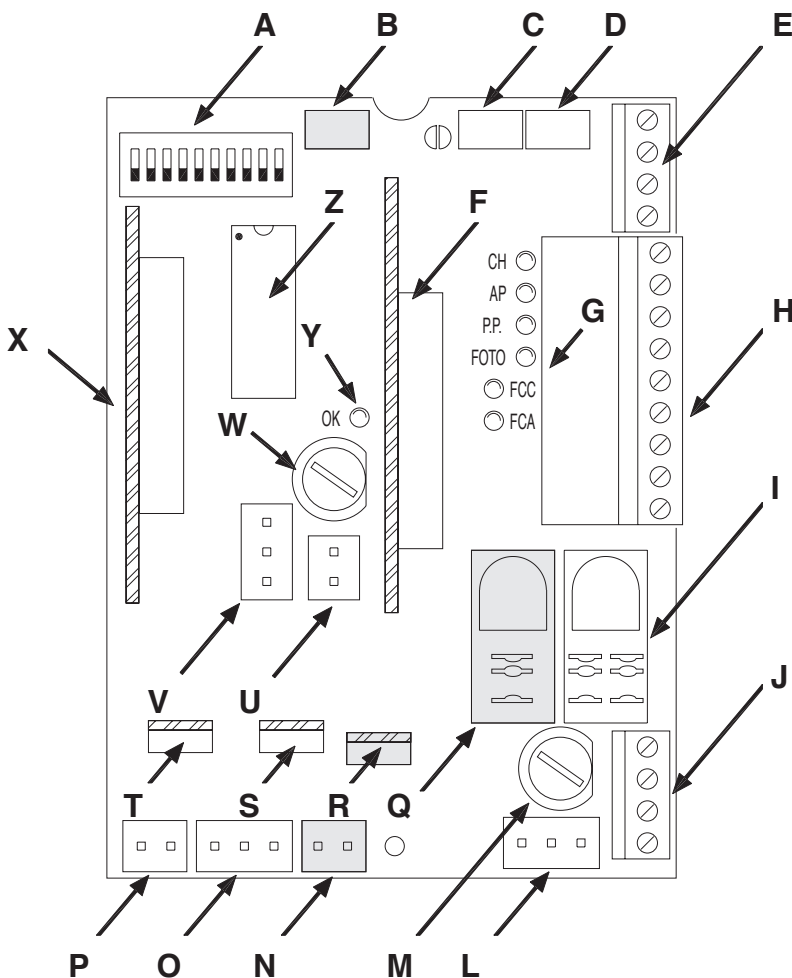
Cette armoire de commande pour l'automatisation de portails et portes automatiques, permet de commander les opérateurs ROBO, OTTO, THOR en courant alternatif monophasé.

Suivant le type d'opérateur à commander, la logique de commande présente des variantes, comme par exemple: "Réglage de la Force", "Voyant Portail Ouvert" et "Éclairage automatique".

Elle inclut en outre une série de fonctions sélectionnables à l'aide de "Dip-Switchs" (mini sélecteurs) et des réglages qui s'effectuent avec des trimmers.

L'armoire contient des diodes électroluminescentes (Led) placées à proximité des entrées qui en signalent l'état, une Led supplémentaire se trouve près du microprocesseur et signale le fonctionnement correct de la logique interne.

Pour faciliter l'identification des parties, la **fig.1** indique les principaux composants.



- A** Dip-Switch de sélection des fonctions
- B** Trimmer de réglage Force
- C** Trimmer de réglage Temps de Travail (TL)
- D** Trimmer de réglage Temps de Pause (TP)
- E** Bornier pour antenne et 2e canal
- F** Connexion carte RADIO
- G** Led de signalisation état entrées
- H** Bornier Entrées/Sorties de commande
- I** Relais "Commun"
- J** Bornier alimentation / Clignotant
- L** Connecteur primaire transformateur
- M** Fusible de ligne (5A)
- N** Connecteur sortie Éclairage Automatique (seulement sur OTTO)
- O** Sortie alimentation moteur
- P** Connecteur condensateur
- Q** Relais Démarrage
- R** Triac Éclairage Automatique (seulement sur OTTO)
- S** Triac "Ferme"
- T** Triac "Ouvre"
- U** Connecteur secondaire transformateur
- V** Entrée microinterrupteur de fin de course FCA / FCC
- W** Fusible de basse tension (500 mA)
- X** Connexion carte PIU
- Y** Led OK
- Z** Microprocesseur

1

	Code Produit*	Code Carte Electronique*	Fonction Supplémentaire
ROBO	RO1000	ROA3	Trimmer de réglage Force
	RO1020		
	RO1010	ROA4	Relais Démarrage
THOR	TH1551	THA5	Trimmer de réglage Force
	TH2251	THA6	Relais Démarrage
OTTO	OT21	OTA1	Sortie Éclairage Automatique

* = ajouter au code V1 pour version 120 V 50/60 Hz

2) Installation:

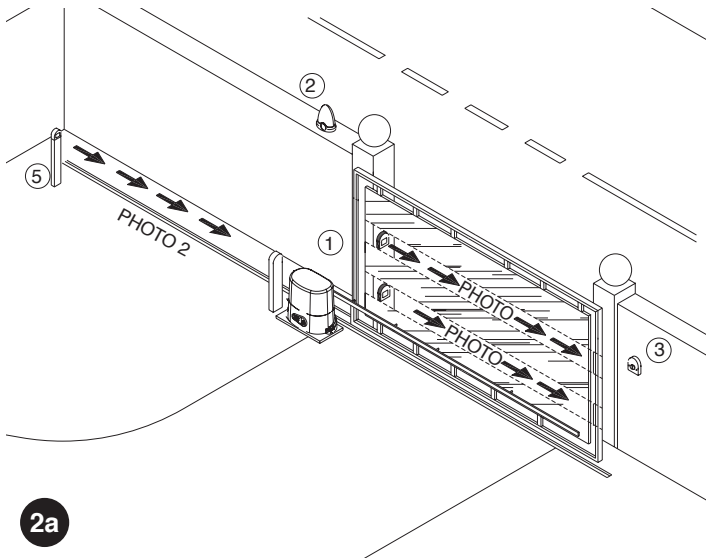
⚠ Nous rappelons que les automatismes de portails et portes automatiques doivent être installés exclusivement par du personnel technique qualifié et dans le plein respect des

normes légales. Suivre attentivement les recommandations du fascicule : "Recommandations pour l'installateur".

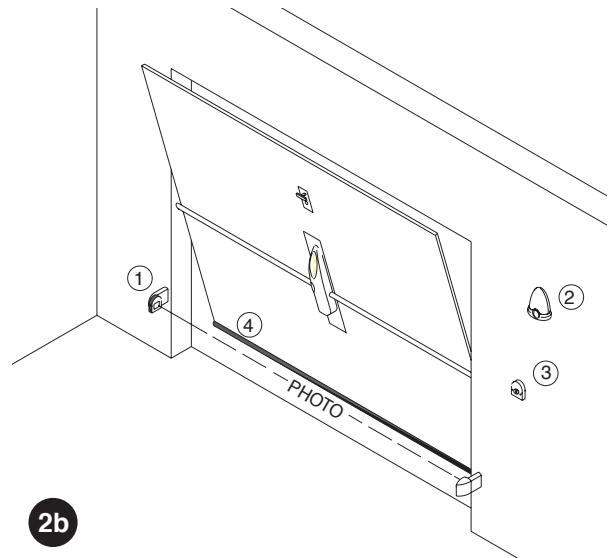
2.1) Installation typique

Pour préciser certains termes et certains aspects d'un automate pour portes ou portails, nous donnons ci-après un exemple typique.

ROBO / THOR



OTTO



- 1) Paire de photocellules "Photo"
- 2) Clignotant
- 3) Sélecteur à clé
- 4) Barre palpeuse
- 5) Paire de photocellules "Photo 2"

En particulier, nous rappelons que:

- Toutes les photocellules produites par Nice disposent du système de synchronisme qui permet d'éliminer le problème de l'interférence entre deux paires de photocellules (pour plus de détails, voir les instructions des photocellules)
- La paire de photocellules "Photo" n'a pas d'effet en ouverture tandis qu'elle provoque une inversion durant la fermeture.
- La paire de photocellules "Photo2" n'a pas d'effet en fermeture tandis qu'elle provoque une inversion durant l'ouverture.

2.2) Connexions électriques

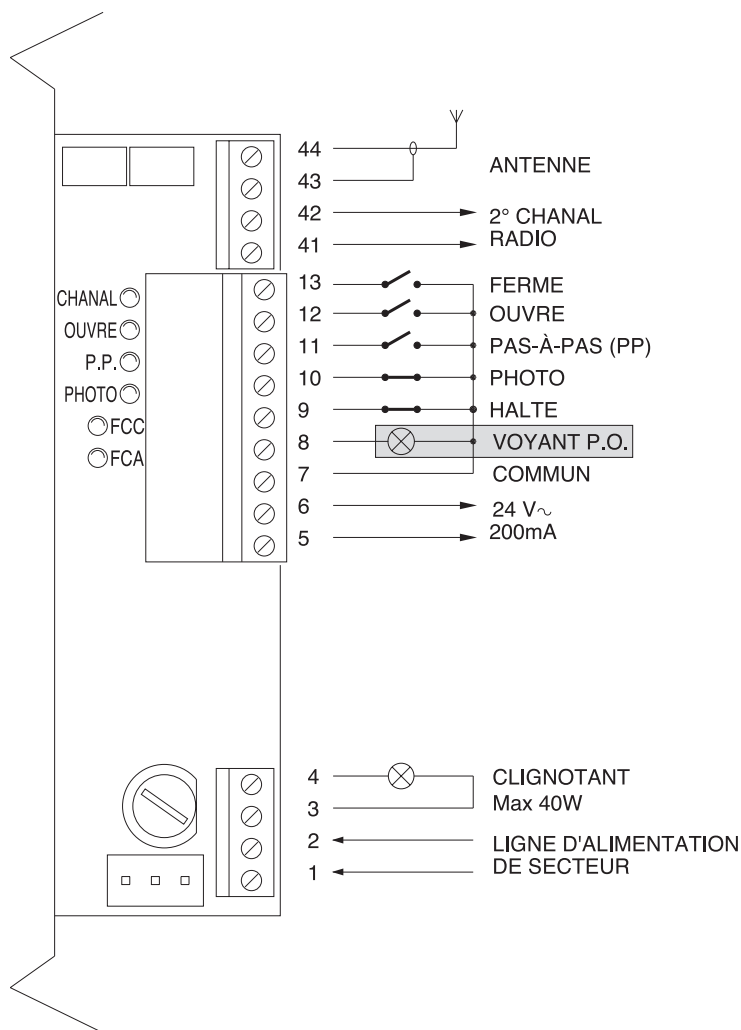
⚠ Pour garantir la sécurité de l'opérateur et pour éviter d'endommager les composants, quand on effectue les connexions électriques ou qu'on branche les différentes cartes: l'armoire de commande doit absolument être éteinte.

- Alimenter l'armoire de commande avec un câble de 3 x 1,5mm², si la distance entre l'armoire et la connexion à l'installation de mise à la terre dépasse 30m, il faut prévoir une prise de terre à proximité de l'armoire de commande.
- Pour les connexions de la partie à très basse tension de sécurité, utiliser des câbles d'une section minimum de 0,25mm².
- Utiliser des câbles blindés si la longueur dépasse 30m en mettant le blindage à la terre seulement du côté de l'armoire.
- Éviter d'effectuer des connexions de câbles dans des boîtiers enterrés même s'ils sont complètement étanches.
- Les entrées des contacts de type Normalement Fermé (NC), si elles ne sont pas utilisées, doivent être shuntées avec "commun 24V" (à l'exclusion des entrées des photocellules si la fonction

de "photo-test" est insérée) pour plus de précisions voir paragraphe Photo-test.

- S'il y a plusieurs contacts NC (Normalement Fermé) pour la même entrée, il faut les connecter en SÉRIE.
- Les entrées des contacts de type Normalement Ouvert (NA), quand elles ne sont pas utilisées, doivent être laissées libres.
- S'il y a plusieurs contacts NA (Normalement Ouvert) pour la même entrée, il faut les connecter en parallèle.
- Les contacts doivent absolument être de type mécanique et libres de toute puissance. Les connexions à étages type "PNP", "NPN", "Open Collector", etc., ne sont pas admises.

2.2.1) Schéma électrique



3

2.2.2) Description des connexions

Nous donnons ci-après une brève description des connexions possibles de l'armoire de commande vers l'extérieur.

Bornes	Fonctions	Description
1-2	Alimentation	= Ligne d'alimentation de secteur
3-4	Clignotant	= Sortie pour connexion du clignotant à tension de secteur (Max. 40W)
5-6	24 Vca	= Alimentation services 24 Vca (Photo, Radio, etc.) Max. 200 mA
7	Commun	= Commun à toutes les entrées
8	Voyant P.O.	= Voyant portail ouvert 24 Vca max. 2W (Non présent sur version OTTO)
9	Halte	= Entrée avec fonction d'arrêt de la manœuvre avec brève inversion du mouvement.
10	Photo	= Entrée pour dispositifs de sécurité (Photocellules, barres palpeuses)
11	Pas-à-pas (PP)	= Entrée pour mouvement cyclique ("Ouvre" - "Stop" - "Ferme" - "Stop")
12	Ouvre	= Entrée pour mouvement en ouverture
13	Ferme	= Entrée pour mouvement en fermeture
41-42	2e Canal Radio	= Sortie de l'éventuel deuxième canal du récepteur radio
43-44	Antenne	= Entrée pour antenne du récepteur radio

2.2.3) Photo-test

La fonction "Photo-test" augmente la fiabilité des dispositifs de sécurité elle permet d'atteindre la "catégorie 2" selon la norme UNI EN 954-1 (éd. 12/1998) en ce qui concerne l'ensemble armoire de commande et photocellules de sécurité.

À chaque fois qu'une manœuvre est commandée, tous les dispositifs de sécurité impliqués sont contrôlés et la manœuvre commence uniquement si le test est positif. Si par contre le test n'est pas positif (photocellule éblouie par le soleil, câbles en court-circuit, etc.) l'anomalie est identifiée et la manœuvre n'est pas exécutée.

Tout cela est possible:

- En utilisant la carte additionnelle "PIU".
- En positionnant le "Dip-Switch 10 sur ON
- En réalisant une configuration particulière dans les connexions des dispositifs de sécurité comme dans la **fig. 4a** qui prévoit de connecter l'alimentation des émetteurs des photocellules pas directement de la sortie des services, mais en interrompant cette alimentation en passant par les bornes 7 et 8 de la carte "PIU". Le courant maximum utilisable sur la sortie "Photo-test" de la carte "PIU" est de 100 mA (2 paires de photocellules Nice)
- En alimentant les récepteurs directement de la sortie services de l'armoire de commande (bornes 5-6).

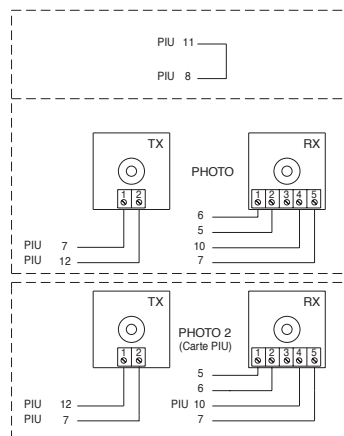
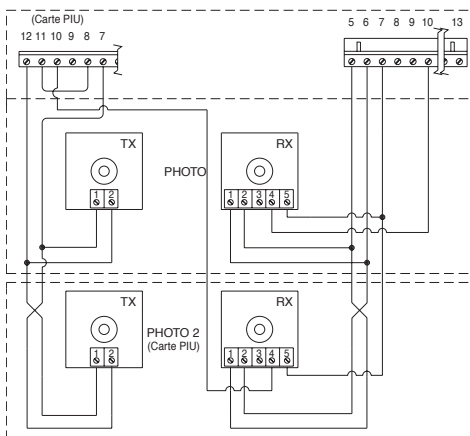


Si dans un second temps on ne désire plus utiliser la fonction de "Photo-test", il faudra abaisser le "Dip-Switch" 10 et modifier la configuration des connexions comme l'indique la **fig.4b**.

Le test des photocellules s'effectue de la façon suivante: quand un mouvement est demandé, on contrôle en premier lieu que tous les récepteurs concernés par le mouvement l'autorisent, puis on coupe l'alimentation des émetteurs et on vérifie que tous les récepteurs signalent le fait en niant l'autorisation au mouvement; on rétablit enfin l'alimentation des émetteurs et on vérifie de nouveau l'autorisation au mouvement de la part de tous les récepteurs. Ce n'est que si toute cette séquence donne un résultat positif que la manœuvre démarrera.

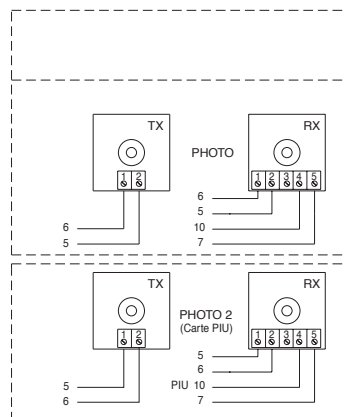
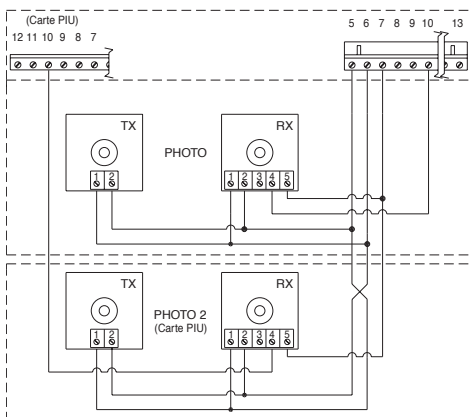
En outre, il est toujours bon d'activer le synchronisme en coupant sur les émetteurs, les shunts prévus à cet effet; c'est l'unique méthode pour garantir que deux paires de photocellules n'interfèrent pas entre elles. Vérifier sur le manuel des photocellules les instructions pour le fonctionnement "synchronisé".

Si une entrée soumise à "Photo-test" n'est pas utilisée (Exemple Photo2) et qu'on désire quand même la fonction "Photo-test" il faut shunter l'entrée non utilisée comme l'indique la **fig.4c**.



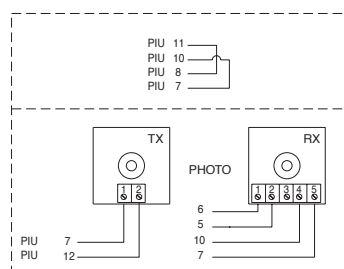
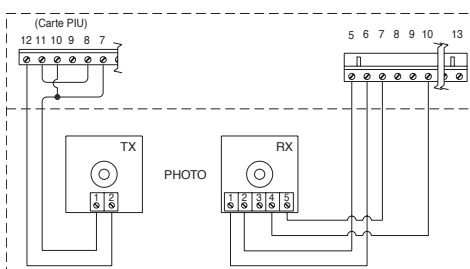
4a

"Photo" et "Photo2" avec "Photo-Test"



4b

"Photo" et "Photo2" sans "Photo-Test"



4c

"Photo" avec "Photo-Test"

2.2.4) Vérification des connexions

⚠ Les prochaines opérations vous porteront à agir sur des circuits sous tension, la plupart des circuits sont soumis à très basse tension de sécurité et donc non dangereuse, certaines parties sont soumises à la tension de secteur et donc **TRÈS DANGEREUSES!** Faites très attention à ce que vous faites et **N'OPÉREZ JAMAIS SEULS!**

- Alimenter l'armoire de commande et vérifier immédiatement que la tension présente entre les bornes 5-6 est d'environ 24 Vca.
- Vérifier que, après quelques instants de clignotement rapide, la Led "OK" clignote à un rythme régulier.
- Vérifier maintenant que les led relatives aux entrées avec contacts type NC Normalement Fermé) sont allumées (toutes les sécurités actives) et que les led relatives aux entrées type NA (Normalement Ouvert) sont éteintes (aucune commande présente), si ce n'est pas le cas, contrôler les connexions et le bon fonctionnement des différents dispositifs. L'entrée de "Halte" intervient en éteignant aussi bien FCA que FCC.
- Vérifier la connexion exacte des microinterrupteurs de fin de course; bouger la came du contact et vérifier que le microinterrupteur de fin de course intervient en éteignant la led correspondante sur l'armoire de commande.
- Débloquer le battant et le porter à mi-course puis bloquer, de cette manière le battant est libre de bouger aussi bien en ouverture qu'en fermeture.
- Il faudra vérifier maintenant que le mouvement s'effectue dans le bon sens, c'est-à-dire contrôler la correspondance entre le mouvement prévu par la logique de commande et le mouvement effectif des battants. Cette vérification est fondamentale, si le sens est erroné dans certains cas (par exemple en mode semi-automatique) l'automatisme pourrait fonctionner régulièrement en

apparence; en effet, le cycle "Ouvre" est semblable au cycle "Ferme" à la différence fondamentale que les dispositifs de sécurité seront ignorés dans la manœuvre de fermeture, qui est généralement la plus dangereuse, et interviendront en ouverture en provoquant une refermeture contre l'obstacle avec des effets désastreux!

- Pour vérifier si le sens de rotation est exact, il faut donner une brève impulsion sur l'entrée "Pas-à-pas" (PP); la première manœuvre que l'armoire commande après avoir été alimentée est toujours "Ouvre", il suffit donc de vérifier si l'automatisme bouge dans le sens de l'ouverture; si le mouvement s'effectue dans le mauvais sens, il faut:
 - ➡ Couper alimentation
 - ➡ Tourner de 180° le connecteur d'alimentation du moteur et celui des microinterrupteurs de fin de course. (Réf. "O" et Réf. "V" de la **Fig.1**)
 - ➡ Après avoir effectué les contrôles décrits, il est préférable de vérifier de nouveau si le sens de rotation est correct en répétant le dernier point.



La led "OK" positionnée au centre de la carte, a pour fonction de signaler l'état de la logique interne: un clignotement régulier toutes les secondes indique que le microprocesseur interne est actif et en attente de commandes. Quand au contraire le même microprocesseur reconnaît une variation de l'état d'une entrée (qu'il s'agisse d'une entrée de commande ou d'un Dip-Switch des fonctions) il génère un double clignotement rapide même si la variation ne provoque pas d'effets immédiats. Un clignotement très rapide pendant 3 s. indique que l'armoire de commande vient d'être alimentée et est en train d'effectuer un test des parties internes, enfin un clignotement irrégulier indique que le test n'a pas eu un résultat positif et qu'il y a donc une anomalie.

3) Réglages:

Les réglages peuvent être effectués au moyen des trimmers qui agissent en modifiant les paramètres suivants:

Temps De Travail (TL):

Règle la durée maximum de la manœuvre d'ouverture ou de fermeture.

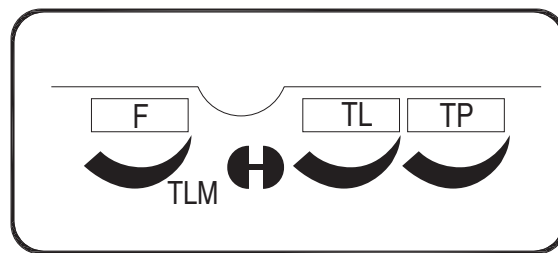
Pour le réglage du Temps de Travail TL, sélectionner le mode de fonctionnement "Semi-automatique" en mettant sur ON le Dip-Switch 1 puis régler le trimmer TL à mi-course. Avec ces réglages effectuer un cycle d'ouverture et de fermeture, intervenir éventuellement sur le réglage du trimmer TL de manière que le temps suffise pour effectuer toute la manœuvre et qu'il reste encore une marge de 2 ou 3 s.

Si même en mettant le trimmer TL au maximum le temps n'est pas suffisant, couper le shunt TLM, situé sur le circuit imprimé entre les trimmers TL et TP, de manière à obtenir un Temps de Travail plus long.

Temps De Pause (TP):

Dans le fonctionnement "automatique" règle le temps entre la fin de la manœuvre d'ouverture et le commencement de la manœuvre de fermeture.

Pour le réglage du Temps de Pause TP, sélectionner le mode de fonctionnement "Automatique" en déplaçant sur ON le Dip-Switch 2, puis régler le trimmer TP comme on le souhaite. Pour la vérification il faut effectuer une manœuvre d'ouverture, puis contrôler le temps qui s'écoule avant la refermeture automatique.



Force (F):

Présent sur l'armoire de commande il permet de régler la valeur de la Force maximum.

Il faut faire particulièrement attention au réglage du trimmer Force (F), ce réglage peut influencer le degré de sécurité de l'automatisme. Pour le réglage, il faut procéder par tentatives successives en mesurant la force appliquée par le battant et en la comparant à celle qui est prévue par les normes.

Dans les armoires de commande RO1010 et OT21, la Force est réglée par un sélecteur à plusieurs positions placé sur le boîtier du transformateur d'alimentation de l'armoire.

4) Essai de fonctionnement

Après avoir terminé les contrôles et les réglages, il est possible de passer à l'essai de fonctionnement de l'installation.

⚠ L'essai de fonctionnement de l'automatisme doit être effectué par du personnel qualifié et expérimenté qui devra se charger d'établir les essais prévus en fonction du risque présent.

L'essai de fonctionnement est la partie la plus importante de toute la phase de réalisation de l'automatisme. Chaque composant, comme l'opérateur, l'arrêt d'urgence, les photocellules, etc., peut nécessiter une phase d'essai spécifique; nous conseillons de suivre les procédures indiquées dans les manuels d'instructions correspondants.

Pour l'essai de l'armoire de commande, exécuter la procédure qui suit:

1. Sélection fonctions:
 - Positionner sur ON le Dip-Switch 1 (Fonctionnement "semi-automatique")
 - Si on a effectué les connexions de la **fig.4a** pour l'utilisation de la fonction de "Photo-test", (si la carte PIU est présente) positionner sur ON le Dip-Switch 10 (Fonction "Photo-test").
 - Positionner sur OFF tous les autres Dip-Switches
2. Presser la touche de commande "Ouvre" ou bien "Pas-à-pas" et vérifier que:
 - le clignotant s'active
 - une manœuvre d'ouverture commence
 - le mouvement s'arrête quand le microinterrupteur de fin de course en ouverture FCA est atteint.
3. Presser la touche de commande "Ferme" ou bien "Pas-à-pas" et vérifier que:
 - le clignotant s'active
 - une manœuvre de fermeture commence
 - le mouvement s'arrête quand le microinterrupteur de fin de course en fermeture FCC est atteint.
4. Faire partir une manœuvre d'ouverture et vérifier que durant la manœuvre l'intervention d'un dispositif:
 - Connecté à l'entrée Halte, provoque l'arrêt iavec brève inversion du mouvement
 - Connecté à l'entrée "Photo", n'a aucun effet
 - Connecté à l'entrée "Photo2", provoque l'arrêt et l'inversion de la manœuvre (si la carte PIU est présente)
5. Faire partir une manœuvre de fermeture et vérifier que durant la manœuvre l'intervention d'un dispositif:
 - Connecté à l'entrée "Halte", provoque l'arrêt iavec brève inversion du mouvement
 - Connecté à l'entrée "Photo", provoque l'arrêt et l'inversion de la manœuvre
 - Connecté à l'entrée "Photo2", n'a aucun effet (si la carte PIU est présente).
6. Sur les entrées connectées, vérifier que l'activation de l'entrée provoque un pas dans la séquence:

• Entrée Pas-à-pas	Séquence = "Ouvre" – "Stop" – "Ferme" – "Stop"
• Entrée Ouvre:	Séquence = "Ouvre" – "Stop" – "Ouvre" – "Stop"
• Entrée Ferme:	Séquence = "Ferme" – "Stop" - "Ferme" – "Stop"
• Entrée Ouv. Partielle:	Séquence = "Ouv. Partielle" – "Stop" – "Ferm" – "Stop" (si la carte PIU est présente)
7. Si on utilise la fonction "Photo-test" vérifier l'efficacité du test (si la carte PIU est présente):
 - Interrompre la photocellule "Photo", puis faire partir une manœuvre et vérifier que celle-ci n'est pas exécutée
 - Interrompre la photocellule "Photo2", puis faire partir une manœuvre et vérifier que celle-ci n'est pas exécutée
 - Court-circuiter le contact de la photocellule "Photo", puis faire partir une manœuvre et vérifier que celle-ci n'est pas exécutée
 - Court-circuiter le contact de la photocellule "Photo2", puis faire partir une manœuvre et vérifier que celle-ci n'est pas exécutée
8. Effectuer les essais pour la détection des Forces d'Impact comme le prévoit la norme EN 12445.

Si à la fin de l'essai d'autres fonctions qui peuvent réduire la sécurité de l'installation sont activées, il faut effectuer un contrôle spécifique de ces fonctions.

5) Modes de fonctionnement

Dans le fonctionnement en mode manuel, l'entrée "Ouvre" permet le mouvement en ouverture, l'entrée "Ferme" permet le mouvement en fermeture. Le "Pas-à-Pas" permet le mouvement alternativement en ouverture et en fermeture.

Dès que la commande cesse en entrée, le mouvement s'arrête. En ouverture le mouvement s'arrête quand les microinterrupteurs de fin de course interviennent ou en cas de manque de l'accord de la part de "Photo2" (sur carte PIU); en fermeture par contre le mouvement s'arrête en cas de manque de l'accord de la part "Photo". En ouverture comme en fermeture une intervention sur "Halte" provoque toujours un arrêt immédiat du mouvement. Une fois qu'un mouvement s'est arrêté, il faut faire cesser la commande en entrée avant qu'une nouvelle commande puisse faire commencer un nouveau mouvement.

Dans le fonctionnement dans l'un des modes automatiques (Semi-Automatique, Automatique ou Ferme Toujours) une impulsion de commande sur l'entrée "Ouvre" provoque le mouvement en ouverture. Une impulsion sur "Pas-à-Pas" provoque alternativement ouverture ou

fermeture. Une deuxième impulsion sur "Pas-à-Pas" ou sur la même entrée qui a commencé le mouvement provoque un "Stop".

En ouverture comme en fermeture une intervention sur "Halte" provoque un arrêt immédiat du mouvement.

L'application d'un signal continu à une entrée de commande au lieu d'une impulsion provoque un état de "prédominance" dans lequel les autres entrées de commande restent désactivées (**utile pour connecter une horloge ou un sélecteur Nuit-Jour**).

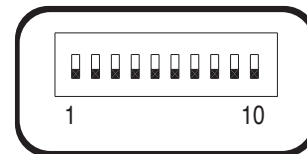
Si le mode de fonctionnement automatique est sélectionné, après une manœuvre d'ouverture, on a une pause, suivie d'une fermeture. Si durant la pause il y a une intervention de "Photo", le temporisateur sera réamorcé avec un nouveau Temps de Pause; si par contre durant la pause on intervient sur Halte la fonction de refermeture est annulée et on passe à un état de "Stop".

En ouverture l'intervention de "Photo" n'a aucun effet tandis que "Photo2" (sur carte PIU) provoque l'inversion du mouvement; en fermeture l'intervention de "Photo" provoque une inversion du mouvement puis une pause et ensuite une refermeture.

6) Fonctions programmables

L'armoire de commande dispose d'une série de microinterrupteurs qui permettent d'activer différentes fonctions afin de rendre l'installation plus adaptée aux exigences de l'utilisateur et plus sûre dans les diverses conditions d'utilisation. Les fonctions s'activent en positionnant le Dip-Switch correspondant sur "On" tandis qu'elles ne sont pas activées si le Dip-Switch est sur "Off".

▲ Certaines fonctions programmables sont liées à des aspects de sécurité, évaluer très attentivement les effets d'une fonction et vérifier quelle est la fonction qui donne la plus grande sécurité possible.



Les Dip-Switchs permettent de sélectionner les différents modes de fonctionnement et d'activer les fonctions désirées selon le tableau ci-après:

Switch 1-2:	Off-Off	= Mouvement "Manuel" c'est-à-dire homme présent
	On -Off	= Mouvement "Semi-automatique"
	Off-On	= Mouvement "Automatique" c'est-à-dire fermeture automatique
	On -On	= Mouvement "Automatique + ferme toujours"
Switch 3:	On	= Fonctionnement Collectif < non disponible en mode manuel >
Switch 4:	On	= Préclignotement
Switch 5:	On	= Referme 5" après Photo < en automatique > ou Ferme après Photo < en semi-automatique >
Switch 6:	On	= Sécurité "Photo" aussi en ouverture
Switch 7:	On	= Démarrage progressif
Switch 8:	On	= Ralentissement
Switch 9:	On	= Frein
Switch 10:	Sans carte PIU	(sur Robo) On = Voyant (Portail Ouvert) (SCA) avec clignotement proportionnel
		(sur Otto) On = Temps Éclairage Automatique = 4 minutes
	Avec carte PIU	On = Fonction "Photo-test"

N.B.: certaines fonctions sont possibles dans certaines conditions et sont signalées par les notes entre les caractères "<...>".

6.1) Description des fonctions

Nous reportons maintenant une brève description des fonctions qui peuvent s'activer en portant sur "On" le Dip-Switch correspondant

Switch 1-2: Off-Off	= Mouvement "Manuel" (homme présent)
On-Off	= Mouvement "Semi-automatique"
Off-On	= Mouvement "Automatique" (fermeture automatique)
On-On	= Mouvement "Automatique + Ferme Toujours"

Dans le fonctionnement "Manuel" le mouvement est exécuté seulement jusqu'à la présence de la commande (touche pressée).

En "Semi-automatique" il suffit d'une impulsion de commande et tout le mouvement est exécuté jusqu'à l'expiration du Temps de Travail ou quand le microinterrupteur de fin de course est atteint. Dans le fonctionnement en mode "Automatique" après une ouverture, il y a une pause et donc la fermeture a lieu automatiquement.

La fonction "Ferme Toujours" intervient après un manque d'alimentation; si la logique de commande détecte le portail ouvert, une manœuvre de fermeture démarre automatiquement, précédée de 5 s. de préclignotement.

Switch 3: On = Fonctionnement Collectif (non disponible en mode manuel)

Dans le fonctionnement collectif, une fois qu'un mouvement en ouverture a démarré, la manœuvre ne peut pas être interrompue par d'autres impulsions de commande sur Pas-à-Pas ou "Ouvre" jusqu'à la fin du mouvement en ouverture.

Dans le mouvement en fermeture une nouvelle impulsion de commande provoque l'arrêt et l'inversion du mouvement en ouverture.

Switch 4: On = Préclignotement

À l'impulsion de commande on a d'abord l'activation du clignotant puis, au bout de 5 s. (2 en manuel), le mouvement commence.

Switch 5: On = Referme 5 s. après "Photo" < en "automatique" > ou "Ferme" après "Photo" < en "Semi-automatique" >

Cette fonction, si on est en mode Automatique, permet de maintenir le portail ouvert seulement le temps nécessaire au transit, en effet, à la fin de l'intervention de "Photo" la manœuvre s'arrête. Au bout de 5 s. une manœuvre de fermeture commencera automatiquement. Si on est en mode Semi-automatique, une intervention de "Photo" dans la manœuvre de fermeture active la fermeture automatique avec le Temps de Pause réglé.

Switch 6: On = Sécurité "Photo" également en ouverture

Normalement la sécurité "Photo" est active seulement dans la manœuvre de fermeture, si le Dip-Switch 6 est positionné sur "ON" l'intervention du dispositif de sécurité provoque une interruption du mouvement également en ouverture.

Si on est en mode Semi-automatique ou Automatique on aura la reprise du mouvement en ouverture jusque après la libération de la photocellule.

Switch 7: On = Démarrage progressif

Exécute le début du mouvement de manière progressive en évitant les secousses de l'automatisme.

Switch 8: On = Ralentissement

Le ralentissement consiste en une réduction de la vitesse à 30% de la vitesse nominale de manière à éviter des secousses inutiles à la fin de la manœuvre.



La fonction de ralentissement en plus de diminuer la vitesse de l'automatisme réduit de 70% le couple du moteur. Dans les automatismes nécessitant un couple élevé, cette réduction pourrait provoquer l'arrêt immédiat du moteur.

Version ROBO - THOR:

A la fin de la manœuvre d'ouverture ou de fermeture due à l'expiration du Temps de Travail, une phase de ralentissement est exécutée, de la même durée que le Temps de Travail.

Si la manœuvre se termine par l'intervention des microinterrupteurs de fin de course, la phase de ralentissement n'est pas exécutée, il faut donc régler le Temps de Travail pour que le ralentissement commence 30-50 cm avant l'intervention des microinterrupteurs de fin de course.

▲ Si on utilise la fonction de ralentissement sur des installations sensibles et si elle dure plus de 3 s., il faut insérer sur les bornes d'alimentation de secteur à proximité de l'armoire de commande un filtre de secteur

Version OTTO:

A la fin de la manœuvre de fermeture, la phase de ralentissement dure 3 s. si elle est déclenchée par l'interruption des microinterrupteurs, de même si elle est déclenchée par le Temps de Travail celle-ci durera le Temps de Travail programmé (pour un bon fonctionnement du ralentissement, il est conseillé d'utiliser des microinterrupteurs de fin de course).

Dans la manœuvre d'ouverture, le ralentissement n'est pas effectué mais il est remplacé par un arrêt progressif.

d'au moins 6A avec atténuation de 30 dB pour ne pas dépasser les limites d'émission électromagnétique prescrites par la norme EN 50081-1.

Switch 9: On = Frein

À la fin du mouvement, l'automatisme prévoit dans ce cas une procédure de freinage du moteur, d'abord légère puis plus forte de manière à arrêter le portail rapidement mais sans secousses.

Switch 10: On

ROBO - THOR

Sans carte PIU branchée:

- Voyant Portail Ouvert avec clignotement proportionnel

Avec carte PIU branchée:

- "Photo-test"

OTTO

Sans carte PIU branchée:

- Temps Éclairage Automatique = 4 minutes

Avec carte PIU branchée:

- "Photo-test"

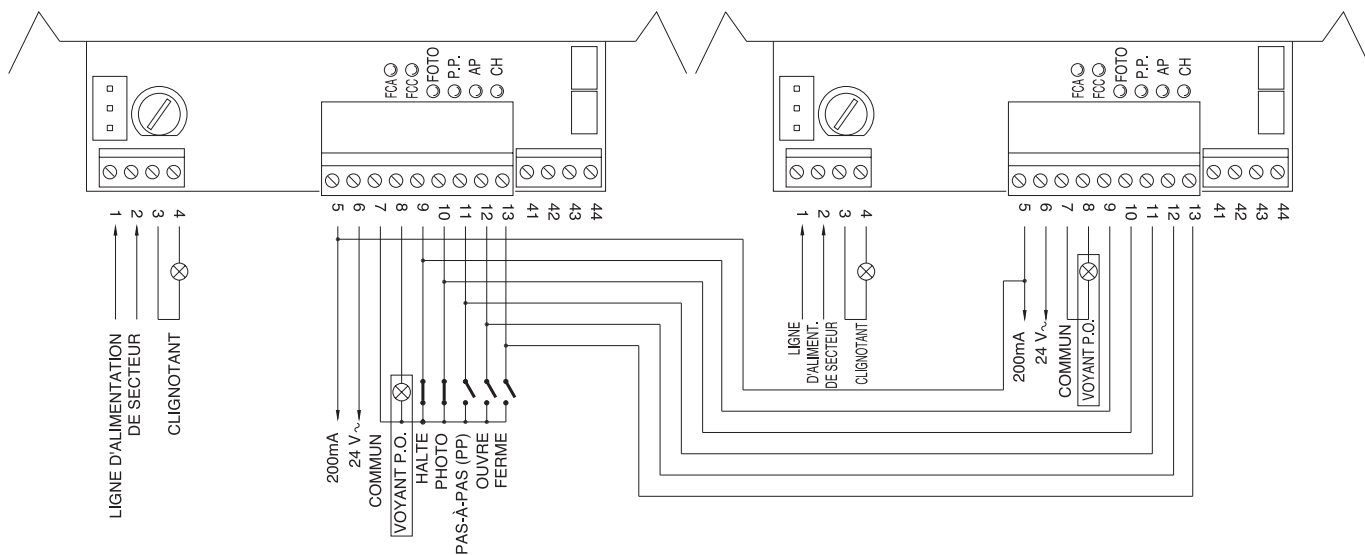
Cette fonction permet d'effectuer à chaque début de manœuvre un contrôle du bon fonctionnement des photocellules. Voir chapitre "Photo-test".

7) Utilisation de deux armoires de commandes sur battants antagoniques

Pour réaliser un automatisme avec 2 battants qui travaillent en antagonisme, il faut:

- Utiliser deux moteurs avec les armoires connectées comme l'indique la **fig. 5**.
- Connecter le clignotant et le voyant Portail Ouvert indifféremment à l'une des deux armoires de commande.
- Les entrées doivent être connectées en parallèle.

- Le "Commun" des entrées peut être connecté à l'une des 2 armoires de commande.
- Connecter ensemble les 0Volt (Borne 5) des deux armoires de commande.
- La fonction "Photo-test" ne doit pas être utilisée.
- Il est bon d'activer la fonction "Collectif" (Dip-Switch 3) qui permet de resynchroniser les battants si les 2 armoires de commande perdent le synchronisme.



8) Accessoires en option

Carte PIU

L'armoire de commande contient déjà toutes les fonctions qui sont utilisées dans une installation normale, pour satisfaire les demandes d'utilisation dans des installations particulières, il est possible d'utiliser une carte en option "Carte PIU" qui permet d'ajouter de nouvelles fonctions telles que: Feux de signalisation, Éclairage Automatique, Serrure électrique, "Photo2", ouverture partielle et "Photo-test".

Rouge

= Feu rouge

Il est normalement toujours éteint et s'allume durant le mouvement du portail

Vert

= Feu vert

Il reste normalement allumé et s'éteint durant le mouvement du portail

Serrure élect.

= Sortie pour commande serrure électrique

La serrure électrique est activée pendant 1,5 s. au début du mouvement en ouverture.

Écl. automatique/

Photo-test

= Sortie qui si elle est utilisée pour la commande Éclairage Automatique, permet d'allumer au début "Photo-test" de chaque mouvement un Éclairage Automatique qui reste allumé jusqu'à la fin du mouvement et pendant un temps supplémentaire programmé avec le trimmer T.Cor. présent sur la carte "PIU".

Si la fonction "Photo-test" est activée (Dip-Switch 10 = ON) cette sortie permet d'effectuer un test des photocellules au début de la manœuvre.

Carte "RADIO"

L'armoire comprend un connecteur pour brancher une carte radio, produite par Nice, qui permet d'agir sur l'entrée de "Pas-à-Pas" et commander de cette manière l'armoire à distance avec un émetteur.

Ouv. partielle

= Entrée pour ouverture partielle (Ouv. Part., Stop, Ferme, Stop). Effectue la même fonction que Pas-à-Pas sur la carte principale, avec la manœuvre d'ouverture dure le temps fixé sur le trimmer T.A.P.P. présent sur la carte "PIU".

Photo 2

= Entrée 2^e dispositif de sécurité. Ce dispositif de sécurité intervient uniquement dans la manœuvre d'ouverture en provoquant un arrêt du mouvement, avec éventuelle refermeture si l'armoire de commande est programmée avec un mode de fonctionnement "Semi-automatique" ou "Automatique".

24 V

= Sortie 24V utilisable pour l'alimentation de services comme les photocellules ou autre. La borne 11 est aussi la borne en commun pour les entrées.

9) Maintenance

L'armoire de commande, en tant que partie électronique, n'a besoin d'aucune maintenance particulière. Vérifier dans tous les cas périodiquement (au moins tous les 6 mois), le bon fonctionnement et le réglage du dispositif de réglage de la Force du moteur, agir éventuellement sur le trimmer de réglage.

Refaire en entier la phase d'essai de fonctionnement pour contrôler le bon fonctionnement des microinterrupteurs de fin de course, des dispositifs de sécurité (photocellules, barres palpeuses, etc.) et le fonctionnement correct du clignotant.

10) Mise au rebut

Ce produit est constitué de différents types de matériaux dont certains peuvent être recyclés. Informez-vous sur les méthodes de recyclage ou de mise au rebut en suivant les normes en vigueur sur le plan local.

▲ Certains composants électriques peuvent contenir des substances polluantes, ne les abandonnez pas dans la nature.

11) Que faire si

Ce chapitre est un guide visant à aider l'installateur à résoudre quelques uns des problèmes les plus courants qui peuvent se présenter durant l'installation.

Aucune led n'est allumée:

- Vérifier si l'armoire de commande est alimentée (vérifier que la tension de secteur arrive aux bornes 1-2 et qu'il y a une tension d'environ 24Vca aux bornes 5-6)
- Vérifier si les 2 fusibles d'alimentation sont intacts et si aucune Led n'est allumée même dans ce cas, on est probablement en présence d'une panne grave et l'armoire de commande devra être remplacée.

La led OK clignote régulièrement mais les LED ENTRÉES ne reflètent pas l'état des entrées respectives

- Vérifier attentivement les connexions sur les bornes des entrées 7÷13.

La manœuvre ne démarre pas

- Vérifier que les Led des sécurités "Halte" (FCA + FCC), "Photo", et éventuellement "Photo2" sont allumées et que la Led de la commande qui est activée ("Pas-à-Pas", "Ouvre" o "Ferme" s'allume pendant la durée de la commande.

Durant le mouvement le portail effectue une inversion

Les causes qui provoquent une inversion sont:

- Une intervention des photocellules ("Photo2" en ouverture, ou "Photo" durant la fermeture); dans ce cas contrôler les connexions des photocellules et vérifier éventuellement les Led de signalisation des entrées.

12) Caractéristiques techniques

Alimentation de secteur	: 230 Vca 50/60 Hz
Version/V1	: 120 Vca 50/60 Hz
Courant Max. services 24 V	: 200 mA
Sortie clignotant	: Pour clignotants à la tension de secteur, puissance maximum 40 W
Sortie voyant Portail Ouvert "SCA"	: Pour voyants 24Vac, puissance maximum 2 W
Température de fonctionnement	: -20 ÷ 70 °C
Temps de Travail sur ROBO/THOR	: Réglable de 2.5 à >60 s. ou de <50 à >120 s avec TLM
Temps de Travail sur OTTO	: Réglable de 2.5 à >20 s. ou de <20 à >40 s avec TLM
Temps de Pause	: Réglable de 5 à >160 s.

sur Carte PIU

Temps Ouv. Partielle ROBO/THOR	: Réglable de 1 à > 30 s.
Temps Ouv. Partielle OTTO	: Réglable de 1 à > 14 s.
Temps éclairage automatique	: Réglable de 1 à > 180 s.

Steuerung

toröffner
robo, thor, otto

Inhalt:	S.	S.
1 Beschreibung des Produktes	41	6 Programmierbare Funktionen 47
2 Installation 42		6.1 Beschreibung der Funktionen 48
2.1 Typische Anlage 42		7 Verwendung von 2 Steuerungen an entgegengesetzten Torflügeln 49
2.2 Elektrische Anschlüsse 42		8 Sonderzubehör 50
2.2.1 Schaltplan 43		9 Wartung 50
2.2.2 Beschreibung der Anschlüsse 43		10 Entsorgung 50
2.2.3 Photozellentest 44		11 Was tun, wenn... 51
2.2.4 Überprüfung der Anschlüsse 45		12 Technische Merkmale 51
3 Einstellungen 45		
4 Prüfung 46		
5 Betriebsarten 47		

Hinweise:

⚠ Die vorliegende Anleitung ist nur für technisches Personal bestimmt, das für die Installation qualifiziert ist. Keine im vorliegenden Heft enthaltene Information kann als interessant für den Endbenutzer betrachtet werden!

Die vorliegende Anleitung bezieht sich nur auf diese Steuerung und darf nicht für andere Produkte verwendet werden.

Es wird empfohlen, alle Anweisungen mindestens einmal vor der Installation genau zu lesen.

1) Beschreibung des Produktes:

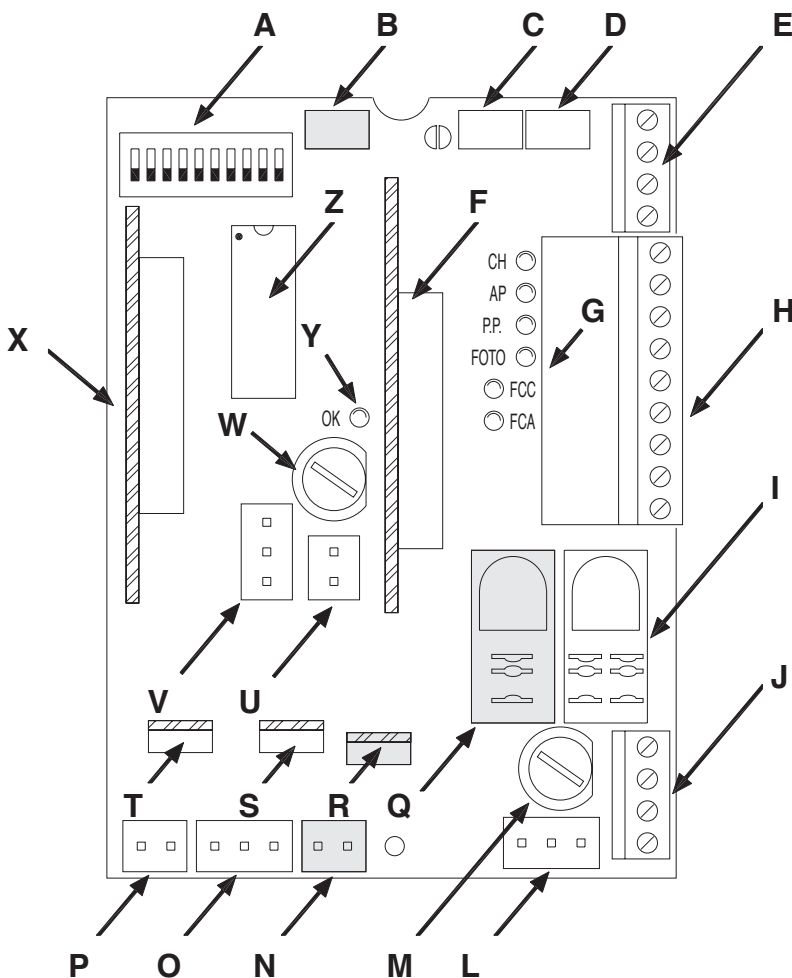
Mit dieser Steuerung für die Automatisierung von Toren und Türen können die Toröffner ROBO, OTTO, THOR in einphasigem Wechselstrom betrieben werden.

Je nach zu steuerndem Toröffner weist die Steuerung Varianten auf, zum Beispiel: "Krafteinstellung", "Kontrolllampe Tor Geöffnet" und "Zusätzliche Beleuchtung".

Weiterhin sind verschiedene Funktionen vorhanden, die über "Dip-Switch" (Mini-Wählschalter) auswählbar sind, und Einstellungen, die durch Trimmer erfolgen.

An der Steuerung, neben den Eingängen, befinden sich Leds, die ihren Zustand anzeigen; eine zuzügliche Led in der Nähe des Mikroprozessors meldet den korrekten Betrieb der internen Logik.

Damit die Teile leichter erkennbar sind, werden in **Abb.1** die wichtigsten Komponenten gezeigt .



- A** Dip-Switch für die Auswahl der Funktionen
- B** Trimmer für Krafteinstellung
- C** Trimmer (TL) für Einstellung der Arbeitszeit
- D** Trimmer (TP) für Einstellung der Pausenzeit
- E** Klemmenbrett für Antenne und 2. Kanal
- F** Steckanschluss für RADIO-Karte
- G** Led für die Anzeige des Zustandes der Eingänge
- H** Klemmenbrett Steuereingänge / - ausgänge
- I** "Gemeines" Relais
- J** Klemmenbrett Stromversorgung / Blinkleuchte
- L** Verbinder für Primärtransformator
- M** Liniensicherung (5A)
- N** "Verbinder" für Ausgang Zusätzliche Beleuchtung (nur für OTTO)
- O** Ausgang Motorversorgung
- P** Steckanschluss Kondensator
- Q** Spitzenstromrelais
- R** Triac Zusätzliche Beleuchtung (nur für OTTO)
- S** Triac "Schließt"
- T** Triac "Öffnet"
- U** Verbinder für Sekundärtransformator
- V** Eingang Endschalter FCA / FCC
- W** Niederspannungssicherung (500mA)
- X** Steckanschluss PIU-Karte
- Y** OK-Led
- Z** Mikroprozessor

1

	Produkt-Code*	Code der Steuerung*	Zusatzfunktion
ROBO	RO1000	ROA3	Trimmer Krafteinstellung
	RO1020		
	RO1010	ROA4	Spitzenstromrelais
THOR	TH1551	THA5	Trimmer Krafteinstellung
	TH2251	THA6	Spitzenstromrelais
OTTO	OT21	OTA1	Ausgang Zusätzliche Beleuchtung

* = für die 120 V 50/60 Hz Version dem Code V hinzufügen.

2) Installation:

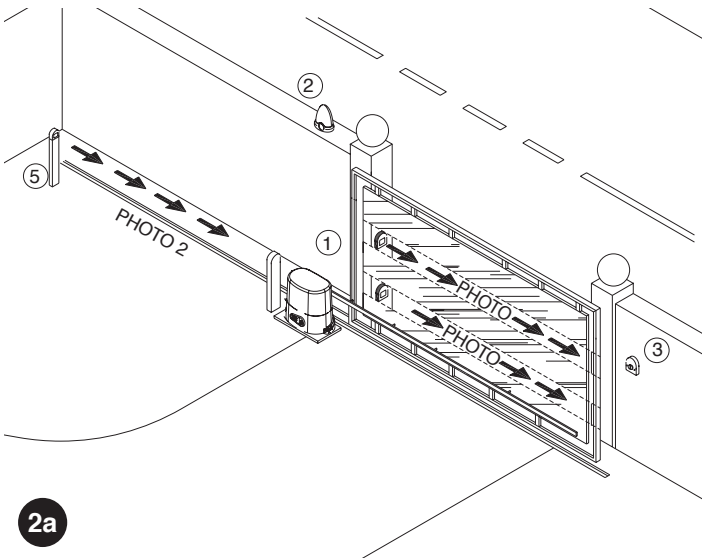
⚠ Wir erinnern daran, dass automatische Tür- und Toranlagen nur von technisch qualifiziertem Personal unter voller Einhaltung der gesetzlichen Vorschriften

installiert werden dürfen. Die Anweisungen im Heft "Hinweise für den Installateur" genau befolgen.

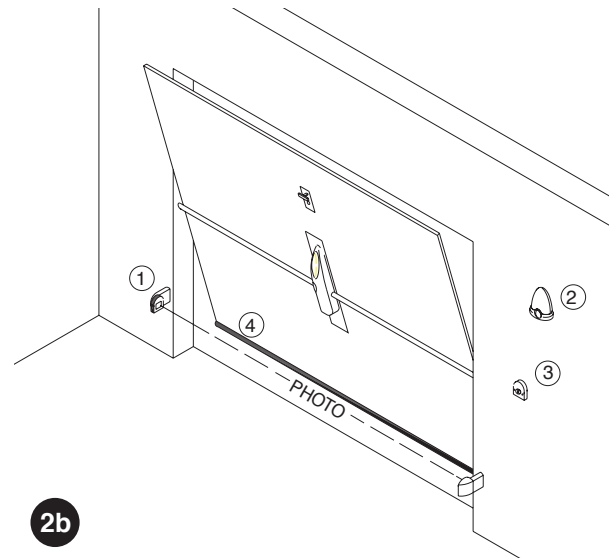
2.1) Typische Anlage

Wir geben hier ein typisches Beispiel, mit dem wir einige Ausdrücke und Aspekte klären wollen.

ROBO / THOR



OTTO



- 1) Photozellenpaar "Photo"
- 2) Blinkleuchte
- 3) Schlüsseltaster
- 4) Sicherheitsleiste
- 5) Photozellenpaar "Photo 2"

Insbesondere erinnern wir daran, dass:

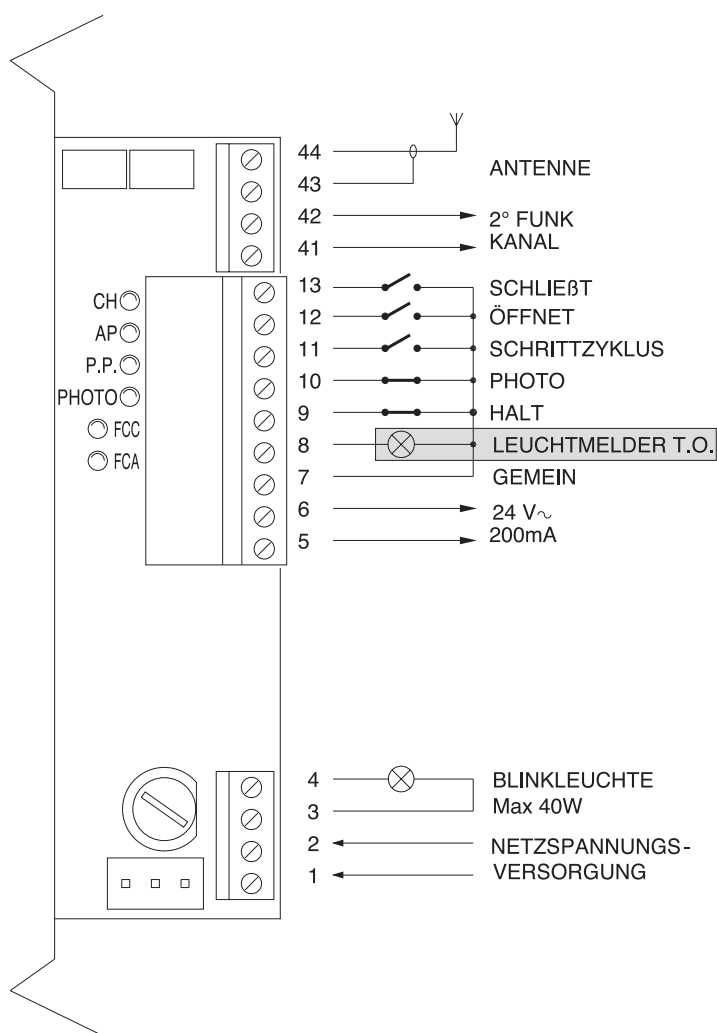
- alle von NICE hergestellten Photozellen über das Synchro-System verfügen, mit dem Probleme wie Interferenzen zwischen zwei Photozellenpaaren beseitigt werden (für weitere Details siehe Anweisungen der Photozellen)
- das Photozellenpaar "Photo" in Öffnung keine Wirkung hat, wogegen es in Schließung eine Umkehrung verursacht.
- das Photozellenpaar "Photo2" in Schließung keine Wirkung hat, wogegen es in Öffnung eine Umkehrung verursacht.

2.2) Elektrische Anschlüsse

⚠ Damit die Sicherheit des Bedieners gewährleistet wird und Schäden an den Komponenten vermieden werden, darf die Steuerung nicht gespeist sein, wenn die Anschlüsse durchgeführt oder die verschiedenen Karten eingeschaltet werden.

- Die Steuerung über ein Kabel mit Querschnitt $3 \times 1,5\text{mm}^2$ versorgen; ist der Abstand zwischen Steuerung und Erdschluss länger als 30m, muss ein Erdleiter in der Nähe der Steuerung vorgesehen werden.
- Für die Anschlüsse des Teils in Niedrigstspannung, Leiter mit einem Mindestquerschnitt von $0,25\text{mm}^2$ verwenden.
- Im Falle einer Länge über 30m abgeschirmte Kabel verwenden und das Geflecht nur auf der Seite der Steuerung erden.
- Anschlüsse an Kabeln, die sich in unterirdischen Gehäusen befinden, sind zu vermeiden, auch wenn das Gehäuse vollkommen dicht ist.
- NC-Eingänge (gewöhnlich geschlossene Eingänge), falls nicht benützt, sind mit dem "Gemeinen 24 V" zu überbrücken (außer die Eingänge der Photozellen, falls die Funktion Photozellentest eingeschaltet ist – für weitere Erläuterungen siehe Abschnitt Photozellentest).
- Falls mehrere NC-Kontakte für den gleichen Eingang vorhanden sind, müssen sie untereinander Seriengeschaltet werden.
- NA-Eingänge (gewöhnlich geöffnete Eingänge), falls nicht benützt, sind frei zu lassen.
- Falls für den gleichen Eingang mehrere NA-Kontakte vorhanden sind, müssen sie untereinander Parallelschaltet werden.
- Die Kontakte müssen unbedingt mechanische Kontakte und frei von jedem Potential sein; stufenweise Anschlüsse wie "PNP", "NPN", "Open Collector" usw. sind unzulässig.

2.2.1) Schaltplan



3

2.2.2) Beschreibung der Anschlüsse

Es folgt eine kurze Beschreibung der möglichen Anschlüsse der Steuerung nach außen.

Klemmen	Funktionen	Beschreibung
1-2	: Speisung	= Netzspannungsversorgung
3-4	: Blinkleuchte	= Ausgang für Anschluss der Blinkleuchte mit Netzspannung (max. 40W)
5-6	: 24 Vac	= Spannungsversorgung Nebeneinrichtungen 24 Vac (Photo, Radio, usw.) max 200mA
7	: Gemein	= Gemeiner Leiter für alle Eingänge
8	: SCA	= Kontrolllampe Tor geöffnet 24 Vac max. 2W (Nicht vorhanden in der Version OTTO)
9	: Halte	= Eingang mit Stoppfunktion des Vorgangs, mit kurzer Umkehrung der Bewegung
10	: Photo	= Eingang für Sicherheitsvorrichtungen (Photozellen, Sicherheitsleisten)
11	: Schrittzzyklus	= Eingang für zyklische Bewegung (AUF - STOP - ZU - STOP)
12	: Öffnet	= Eingang für Bewegung in Öffnung
13	: Schließt	= Eingang für Bewegung in Schließung
41-42	: 2. Funkkanal	= Ausgang eventueller zweiter Funkempfängerkanal
43-44	: Antenne	= Eingang Funkempfängerantenne

2.2.3) Photozellentest

“Photozellentest” ist eine sehr gute Lösung, was die Zuverlässigkeit der Sicherheitsvorrichtungen betrifft, dank der die Einheit Steuerung mit Sicherheitsphotozellen in “Kategorie 2” gemäß der Norm UNI EN 954-1 (Ausgabe 12/1998) eingestuft wird.

Jedes Mal, wenn eine Bewegung erfolgt, werden die betreffenden Sicherheitsvorrichtungen kontrolliert, und erst wenn alles in Ordnung ist, wird die Bewegung beginnen. Ist der Test dagegen erfolglos (von der Sonne geblendete Photozelle, kurzgeschlossene Kabel, usw.), wird der Defekt festgestellt und die Bewegung findet nicht statt

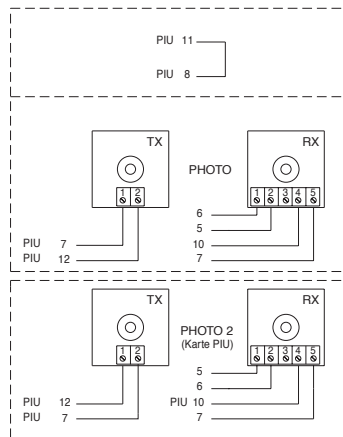
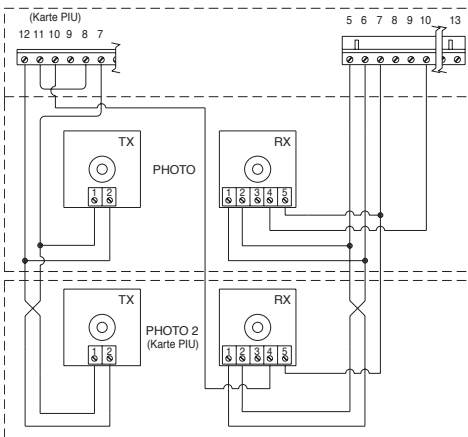
- Wenn die Zusatzkarte PIU verwendet wird.
- Wenn Dip-Switch 10 auf ON gestellt ist.
- Wenn die Anschlüsse der Sicherheitsvorrichtungen wie in **Abb. 4a** gestaltet werden, wobei die Versorgung der Photozellensender nicht direkt am Ausgang der Nebeneinrichtungen abgeht, sondern durch die Klemmen 7 und 8 der Karte PIU geht, wodurch diese Versorgung unterbrochen wird. Der verwendbare Höchststrom am Ausgang “Photozellentest” der Karte PIU ist 100mA (2 Nice Photozellenpaare).
- Wenn die Empfänger direkt vom Ausgang Nebeneinrichtungen der Steuerung (Klemmen 5-6) versorgt werden.



Falls man die Funktion Photozellentest später nicht mehr verwenden will, so muss der Dip-Switch 10 nach unten gestellt werden und die Anschlüsse sind wie in **Abb. 4b** gezeigt zu ändern.

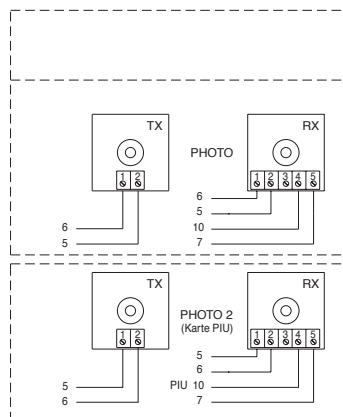
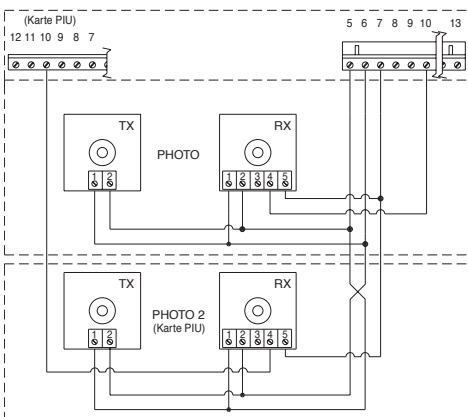
Beschreibung des Vorgangs Photozellentest: wenn eine Bewegung verlangt ist, wird als erstes kontrolliert, ob alle betreffenden Empfänger ihre Zustimmung geben, dann wird die Versorgung zu den Sendern abgeschaltet und geprüft, ob alle Empfänger diese Tatsache melden, indem ihre Zustimmung weggenommen wird; am Ende werden die Sender wieder mit Spannung versorgt und es wird erneut geprüft, ob die Zustimmung aller Empfänger vorhanden ist. Nur wenn diese Sequenz erfolgreich ausgeführt wird, wird eine Bewegung stattfinden. Weiterhin sollte der Synchronismus über Durchschneiden der jeweiligen Überbrückungen an den Sendern aktiviert werden; dies ist die einzige Art, um zu gewährleisten, dass sich zwei Photozellenpaare nicht überschneiden. In der Anleitung der Photozellen die Anweisungen für den synchronisierten Betrieb nachlesen.

Sollte ein “Photozellentesteingang” nicht benützt werden (z.B. Photo2) und man trotzdem aber die Funktion “Photozellentest” will, muss der nicht benützte Eingang wie in **Abb.4c** gezeigt überbrückt werden.



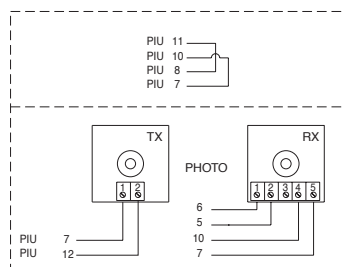
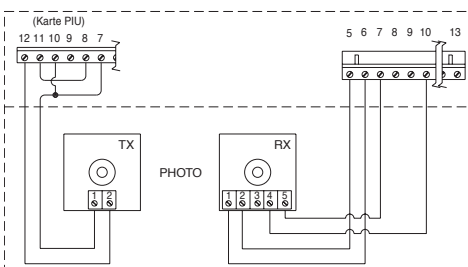
4a

“Photo” und “Photo2” mit “Photozellentest”



4b

“Photo” und “Photo2” ohne “Photozellentest”



4c

“Photo” mit “Photozellentest”

2.2.4) Überprüfung der Anschlüsse

⚠ Bei Durchführung der nachfolgenden Arbeiten werden Sie an Kreisläufen arbeiten, die unter Spannung stehen; die meisten Teile der Kreisläufe stehen unter niedrigster Spannung und sind daher ungefährlich; einige Teile stehen unter Netzspannung, sie sind daher **SEHR GEFÄHRLICH!** Gehen Sie daher sehr vorsichtig vor und **NIE ALLEIN!**

- Die Steuerung mit Spannung versorgen und sofort prüfen, ob zwischen den Klemmen 5-6 ca. 24 Vac vorhanden ist.
- Prüfen, ob die OK-Led nach kurzfristigem Schnellblinker auf ein regelmäßiges Blinken übergeht.
- Nun prüfen, ob die Leds der Eingänge mit NC-Kontakten eingeschaltet sind (alle Sicherheitsvorrichtungen aktiviert) und ob die Leds der NA-Eingänge abgeschaltet sind (kein Befehl vorhanden); im gegenteiligen Fall die Anschlüsse und Betriebstüchtigkeit der verschiedenen Vorrichtungen kontrollieren. Der Eingang von "Stop" spricht an, wenn sowohl FCA als auch FCC abgeschaltet sind.
- Überprüfen, ob die Endschalter richtig angeschlossen sind; den Endschalthebel bewegen und prüfen, ob der jeweilige Endschalter anspricht, wobei sich die entsprechende Led an der Steuerung ausschalten muss.
- Den Torflügel entriegeln und auf Hälfte Lauf bringen, dann verriegeln, so dass sich der Torflügel sowohl in Öffnung als auch in Schließung frei bewegen kann.
- Nun muss geprüft werden, ob die Bewegung in die korrekte Richtung erfolgt, d.h. ob die von der Steuerung vorgesehene Bewegung mit der tatsächlichen Bewegung der Torflügel übereinstimmt. Diese Überprüfung ist sehr wichtig; wenn die Richtung verkehrt ist, könnte der Automatismus in einigen Fällen (zum Beispiel im "Halbautomatischen" Betrieb) anscheinend ordnungsgemäß funktionieren, da in der Tat der Zyklus "AUF"

dem Zyklus "ZU" ähnlich ist, jedoch mit dem grundlegenden Unterschied, dass die Sicherheitsvorrichtungen beim Schließvorgang, der gewöhnlich der gefährlichste ist, ignoriert werden und bei der Öffnung ansprechen und ein erneutes Schließen verursachen werden, wobei das Hindernis mit verheerenden Wirkungen getroffen wird!;

- Um zu prüfen, ob der Drehsinn korrekt ist, genügt ein kurzer Impuls auf den Eingang Schrittbetrieb; die erste, von der Steuerung ausgeführte Bewegung nach ihrer Spannungsversorgung ist immer AUF, es genügt daher, zu prüfen, ob sich der Automatismus in die Öffnungsrichtung bewegt; falls die Bewegung dagegen in die falsche Richtung erfolgt, muss:
 - die Spannungsversorgung abgeschaltet werden
 - der Stromverbinder des Motors um 180° gedreht und jener der Endschalter (siehe "O" und "V" in **Abb.1**) umgekehrt werden.
 - Nachdem das Beschriebene ausgeführt worden ist, erneut prüfen, ob der Drehsinn korrekt ist und gegebenenfalls den letzten Punkt wiederholen.



Die "OK"-Led in der Mitte der Karte hat die Aufgabe, den Zustand der internen Logik zu melden: ein regelmäßiges Blinken einmal pro Sekunde bedeutet, dass der interne Mikroprozessor aktiv ist und auf Befehle wartet. Wenn der Mikroprozessor dagegen eine Änderung des Zustandes eines Eingangs wahrnimmt (sowohl Steuereingang als auch Dip-Switch der Funktionen), wird ein schnelles Doppelblinker verursacht, auch wenn diese Änderung keine sofortigen Wirkungen hat. Ein sehr schnelles, 3 S. langes Blinken bedeutet, dass die Steuerung soeben mit Spannung versorgt worden ist und einen Test der Innenteile ausführt; ein konstantes Blinken bedeutet, dass der Test nicht erfolgreich war und dass daher ein Defekt vorliegt.

3) Einstellungen:

Die Einstellungen werden über Trimmer ausgeführt, die folgende Parameter verändern:

Arbeitszeit (TL):

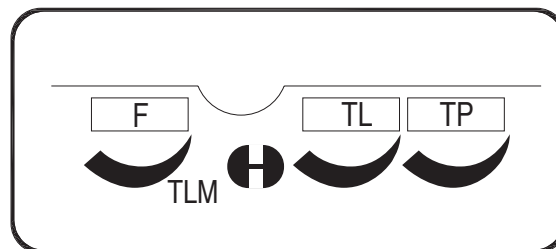
Die Arbeitszeit regelt die Höchstdauer der Bewegung in Öffnung oder Schließung.

Für die Einstellung der Arbeitszeit TL, die Betriebsart "Halbautomatisch" wählen und den Dip-Switch 1 auf On stellen, dann den Trimmer TL auf etwa halben Weg regeln. Mit diesen Einstellungen einen Zyklus in Öffnung und in Schließung ausführen und gegebenenfalls den Trimmer TL so regulieren, dass während dieser Zeit die ganze Bewegung ausgeführt werden kann und noch eine Zeitspanne von 2 oder 3 Sekunden bleibt. Falls keine ausreichende Zeit erzielt wird, auch wenn der Trimmer auf das Maximum gestellt wird, kann die Überbrückung TLM auf der gedruckten Schaltplatte zwischen den Trimmern TL und TP durchgeschnitten und dadurch eine Arbeitsmehrzeit erhalten werden.

Pausezeit (TP):

Zur Einstellung im "automatischen" Betrieb der Zeit zwischen dem Ende der Öffnungsbewegung und dem Anfang der Schließbewegung.

Für die Einstellung der Pausezeit TP, die Betriebsart "Automatisch" wählen und den Dip-Switch 2 auf On stellen, dann den Trimmer TP beliebig regeln. Für die Überprüfung muss eine Öffnungsbewegung ausgeführt werden, dann die Zeit kontrollieren, die vor dem automatischen Wiederschließen vergeht.



Kraft (F):

An der Steuerung vorhanden, dient diese Einstellung zur Regulierung der Höchstkraft.

Besonders aufmerksam muss man bei der Einstellung des Trimmers kraft (F) sein, da diese Einstellung den Sicherheitsgrad der Automatisierung beeinflussen kann. Zur Einstellung mehrmalige Versuche machen, dabei die vom Torflügel angewendete Kraft messen und mit dem laut Vorschriften vorgesehenen Wert vergleichen.

An den Steuerungen RO1010 und OT21 wird die Kraft über einen mehrstelligen Wählschalter am Gehäuse des Versorgungstransformators der Steuerung reguliert.

4) Prüfung

Nachdem die Überprüfungen und Einstellungen beendet sind, kann man auf die Prüfung der Anlage übergehen.

⚠ Die Automatisierung muss von erfahrenem Fachpersonal geprüft werden, das die vorzusehenden Tests je nach vorhandenem Risiko festzulegen hat.

Die Prüfung ist das Wichtigste bei der Durchführung der ganzen Automatisierung. Jedes einzelne Teil wie Motor, Notstop, Photozellen usw. kann eine spezielle Prüfung erfordern, daher wird empfohlen, sich an die Verfahren in den jeweiligen Anleitungen zu halten.

Für die Prüfung der Steuerung sind der Reihe nach folgende Schritte auszuführen:

1. Auswahl der Funktionen:
 - Den Dip-Switch 1 auf ON stellen (halbautomatischer Betrieb)
 - Sind die Anschlüsse in **Abb.4** für die Verwendung von Photozellentest ausgeführt worden (falls die Karte PIU vorhanden ist), den Dip-Switch 10 (Funktion Photozellentest) auf ON stellen.
 - Alle anderen Dip-Switch auf OFF stellen.
2. Auf die Steuertaste "Öffnet" oder "Schrittbetrieb" drücken und prüfen, ob:
 - sich die Blinkleuchte aktiviert
 - eine Öffnungsbewegung beginnt
 - die Bewegung anhält, wenn der Endschalter FCA in Öffnung erreicht wird.
3. Auf die Steuertaste "Schließt" oder "Schrittbetrieb" drücken und prüfen, ob:
 - sich die Blinkleuchte aktiviert
 - eine Schließbewegung beginnt
 - die Bewegung anhält, wenn der Endschalter FCC in Schließung erreicht wird.
4. Eine Bewegung in Öffnung beginnen und prüfen, ob das Ansprechen einer Vorrichtung während der Bewegung:
 - die am Eingang Stop angeschlossen, verursacht er das Anhalten mit kurzer Umkehrung der Bewegung
 - die am Eingang Photo angeschlossen ist, keine Wirkung hat
 - die am Eingang Photo2 angeschlossen ist, das Anhalten und die Umkehrung der Bewegung verursacht (falls die Karte PIU vorhanden ist).
5. Eine Bewegung in Schließung beginnen und prüfen, ob das Ansprechen einer Vorrichtung während der Bewegung:
 - die am Eingang Stop angeschlossen, verursacht er das Anhalten mit kurzer Umkehrung der Bewegung
 - die am Eingang Photo angeschlossen ist, das Anhalten und die Umkehrung der Bewegung verursacht
 - die am Eingang Photo2 angeschlossen ist, keine Wirkung hat (falls die Karte PIU vorhanden ist).
6. An den angeschlossenen Eingängen prüfen, ob die Aktivierung des Eingangs einen Schritt in der folgenden Sequenz verursacht:
 - Eingang Schrittbetrieb: Sequenz = "Auf" – "Stop" – "Zu" – "Stop"
 - Eingang Öffnet: Sequenz = "Auf" – "Stop" – "Auf" – "Stop"
 - Eingang Schließt: Sequenz = "Zu" – "Stop" – "Zu" – "Stop"
 - Eingang Teil-Öffnung: Sequenz = "Teilweise Auf" – "Stop" – "Zu" – "Stop" (falls die Karte PIU vorhanden ist).
7. Falls die Funktion Photozellentest benützt wird, die Effizienz des Test überprüfen (falls die Karte PIU vorhanden ist):
 - Die Photozelle "Photo" abblenden, dann eine Bewegung beginnen und prüfen, dass diese nicht ausgeführt wird
 - Die Photozelle "Photo2" abblenden, dann eine Bewegung beginnen und prüfen, dass diese nicht ausgeführt wird
 - Den Kontakt der Photozelle "Photo" kurzschließen, dann eine Bewegung beginnen und prüfen, dass diese nicht ausgeführt wird
 - Den Kontakt der Photozelle "Photo2" kurzschließen, dann eine Bewegung beginnen und prüfen, dass diese nicht ausgeführt wird
8. Die Tests für die Messung der Aufprallkraft durchführen, wie von der Vorschrift EN 12445 vorgesehen.

Werden am Ende der Prüfung weitere Funktionen aktiviert, welche die Sicherheit der Anlage reduzieren können, so sind diese Funktionen besonders zu prüfen.

5) Betriebsarten

Beim manuellen Betrieb ermöglicht der Eingang "Öffnet" die Öffnungsbewegung und der Eingang "Schließt" die Schließbewegung. Der "Schrittbetrieb" ermöglicht die Bewegung abwechselnd in Öffnung und Schließung.

Sobald die Eingangssteuerung beendet ist, hält die Bewegung an. In Öffnung stoppt die Bewegung, wenn die Endschalter eingreifen, oder die Zustimmung durch Photo2 fehlt (auf der Karte PIU); in Schließung stoppt dagegen die Bewegung beim Fehlen der Zustimmung durch Photo. Sowohl in Öffnung als auch in Schließung verursacht ein Eingriff auf Stop immer ein sofortiges Anhalten der Bewegung. Nachdem eine Bewegung gestoppt ist, muss die Eingangssteuerung beendet werden, bevor mit einer erneuten Steuerung eine neue Bewegung begonnen werden kann.

Bei einer der automatischen Betriebsarten ("Halbautomatisch", "Automatisch" oder "Schließt immer") verursacht ein Steuerimpuls auf den Eingang "Öffnet" die Bewegung in Öffnung. Ein Impuls auf "Schrittbetrieb" verursacht ein abwechselndes Öffnen oder Schließen. Ein zweiter Impuls auf "schrittbetrieb" oder den gleichen Eingang, der

die Bewegung begonnen hat, verursacht ein "Stop".

Der Eingriff auf "Stop" verursacht sowohl in Öffnung als auch in Schließung das sofortige Anhalten der Bewegung.

Wird an einen Steuereingang statt eines Impulses ein Dauersignal beibehalten, wird ein "Prioritätszustand" verursacht, in dem die anderen Steuereingänge deaktiviert bleiben (**nützlich für den Anschluss einer Uhr oder eines Tag-Nacht-Wählers**).

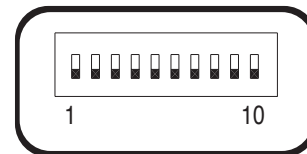
Ist die automatische Betriebsweise gewählt, wird nach einer Öffnungsbewegung eine Pause ausgeführt und danach eine Schließung. Falls während der Pause ein Ansprechen von "Photo" erfolgt, wird der Zeitgeber auf eine neue Pausenzeit rückgestellt; sollte dagegen während der Pausenzeit ein Eingriff auf "Stop" erfolgen, wird die Wiederschließfunktion gelöscht und man geht auf einen "Stop"-Zustand über.

In Öffnung hat das Ansprechen von "Photo" keine Wirkung, wogegen "Photo2" (auf der Karte PIU) die Umkehrung der Bewegung verursacht; in Schließung verursacht das Ansprechen von "Photo" eine Umkehrung der Bewegung, dann eine Pause, dann ein erneutes Schließen.

6) Programmierbare Funktionen

Die Steuerung verfügt über eine Reihe Mikroschalter, mit denen die verschiedenen Funktionen aktiviert werden können, so dass die Anlage dem Bedarf des Benutzers besser angepasst werden kann und unter den verschiedenen Einsatzbedingungen sicherer ist. Die Funktionen werden aktiviert, indem der entsprechende Dip-Switch auf "On" gestellt wird, wogegen sie mit dem Dip-Switch auf "Off" nicht eingeschaltet sind.

⚠ Einige der programmierbaren Funktionen sind an Sicherheitsaspekte gebunden; daher die Wirkungen einer Funktion sehr genau bewerten und überprüfen, welche die größtmögliche Sicherheit gibt



Mit den Dip-Switches können die verschiedenen Betriebsarten eingestellt und die gewünschten Funktionen gemäß der folgenden Tabelle eingeschaltet werden:

Switch 1-2:	Off-Off	= "Manuelle" Bewegung, bzw. Totmannbetrieb
	On -Off	= "Halbautomatische" Bewegung
	Off-On	= "Automatische" Bewegung, bzw. Automatische Schließung
	On -On	= "Automatische + Schließt Immer" Bewegung
Switch 3:	On	= Wohnblockbetrieb <nicht in der manuellen Betriebsart>
Switch 4:	On	= Vorwarnen
Switch 5:	On	= Schließt 5 S. nach "Photo" < falls in "automatisch" > oder Schließt nach "Photo" < falls in "halbautomatisch" >
Switch 6:	On	= Sicherheit "Photo" auch in Öffnung
Switch 7:	On	= Allmählicher Start
Switch 8:	On	= Verlangsamung
Switch 9:	On	= Bremse
Switch 10:	Ohne Karte PIU	(an Robo) On = Kontrolllampe Tor Auf - Proportionalblinker
		(an Otto) On = Zeit zusätzliche Beleuchtung = 4 Minuten
	Mit Karte PIU	On = Funktion Photozellentest

ANMERKUNG: Einige Funktionen sind nur unter bestimmten Bedingungen möglich. Diese Funktionen befinden sich zwischen den Zeichen "<...>".

6.1) Beschreibung der Funktionen

Wir geben nun eine kurze Beschreibung der Funktionen, die eingeschaltet werden können, indem der entsprechende Dip-Switch auf "On" gestellt wird.

Switch 1-2: Off-Off	= "Manuelle" Bewegung, bzw. Totmannbetrieb
On-Off	= "Halbautomatische" Bewegung
Off-On	= "Automatische" Bewegung, bzw. Automatische Schließung
On-On	= "Automatische + Schließt Immer" Bewegung

In der "manuellen" Betriebsart wird die Bewegung nur bis zum Vorhandensein der Steuerung (Taste gedrückt) ausgeführt.

In der "halbautomatischen" Betriebsart genügt ein Steuerimpuls, damit die gesamte Bewegung bis zum Ablauf der Arbeitszeit oder Erreichen des Endschalters ausgeführt wird. In der "automatischen" Betriebsart folgt nach einer Öffnung eine Pause und dann ein automatisches Schließen.

Die Funktion "Schließt immer" greift nach einem Stromausfall ein; falls das offene Tor wahrgenommen wird, wird automatisch ein Schließvorgang gestartet, dem ein 5 Sekunden langes Vorwarnen vorausgeht

Switch 3: On	= Wohnblockbetrieb (nicht in der manuellen Betriebsart)
---------------------	---

Im Wohnblockbetrieb kann nach dem Start einer Öffnungsbewegung die Bewegung nicht mehr durch andere Steuerimpulse auf Schrittbetrieb oder Öffnet bis zum Ende der Öffnungsbewegung unterbrochen werden.

In der Schließbewegung verursacht ein neuer Steuerimpuls das Anhalten und die Umkehrung der Öffnungsbewegung.

Switch 4: On	= Vorwarnen
---------------------	-------------

Bei Steuerimpuls wird zuerst das Blinklicht aktiviert und nach 5 S. (2 S. in manueller Betriebsart) beginnt die Bewegung.

Switch 5: On	= Schließt 5 S. nach "Photo" < falls in "automatisch" > oder Schließt nach "Photo" < falls in "halbautomatisch" >
---------------------	---

Mit dieser Funktion, falls in der "Automatischen" Betriebsart, kann das Tor nur die für das Durchfahren notwendige Zeit geöffnet gehalten werden; nach dem Ansprechen von "Photo" wird die Bewegung angehalten. 5 S. danach wird automatisch eine Bewegung in Schließung beginnen. Falls in der halbautomatischen Betriebsart, aktiviert ein Ansprechen von "Photo" während der Schließbewegung das automatische Schließen je nach eingestellter Pausenzeit.

Switch 6: On	= Sicherheit "Photo" auch in Öffnung
---------------------	--------------------------------------

Gewöhnlich ist die Sicherheit "Photo" nur bei der Schließung aktiviert, wenn der Dip-Switch 6 auf "On" gestellt wird, verursacht die Sicherheitsvorrichtung auch in Öffnung eine Unterbrechung der Bewegung.

In "halbautomatisch" oder "automatisch" erfolgt erneut eine Bewegung, wenn die Photozelle wieder frei ist.

Switch 7: On	= Allmählicher Start
---------------------	----------------------

Der Beginn der Bewegung wird stufenweise ausgeführt, wodurch ruckartige Bewegungen der Automatisierung verhindert werden.

Switch 8: On	= Verlangsamung
---------------------	-----------------

Die Verlangsamung ist eine Geschwindigkeitsreduzierung von 30% der Nenngeschwindigkeit, so dass ruckartige Bewegungen am Ende des Vorgangs vermieden werden.



Neben der Reduzierung der Geschwindigkeit verringert die Verlangsamungsfunktion den Drehmoment des Motors um 70%.

Bei Automatisierungen, für die ein hohes Drehmoment erforderlich ist, könnte diese Reduzierung das sofortige Anhalten des Motors verursachen.

Version ROBO - THOR:

Am Ende der Bewegung in Öffnung oder Schließung, durch das Ende der Arbeitszeit bedingt, es wird eine Verlangsamungsphase ausgeführt, mit Dauer wie die der Arbeitszeit.

Wird die Bewegung durch das Ansprechen der Endschalter beendet, so wird die Verlangsamung nicht ausgeführt; folglich muss die Arbeitszeit so eingestellt werden, dass die Verlangsamung 30-50 cm vor dem Ansprechen der Endschalter beginnt.

⚠ Wird die Funktion Verlangsamung an empfindlichen Installationen angewendet und dauert die Verlangsamung länger als 3 s., so muss an den Klemmen der Netzstromversorgung in der Nähe der Steuerung ein

Version OTTO:

Am Ende der Bewegung in Schließung dauert die Verlangsamung 3 s., falls durch das Ansprechen der Endschalter bedingt, so lange wie der Arbeitszeit, falls durch das Ende der Arbeitszeit bedingt (für ein korrektes Funktionieren der Verlangsamung wird der Gebrauch der Endschalter empfohlen).

Bei der Bewegung in Öffnung wird keine Verlangsamung, sondern ein stufenweises Anhalten ausgeführt.

Maschenfilter von mindestens 6A eingefügt werden, mit einer Abschwächung von 30 dB, damit die laut Norm EN 50081-1 vorgesehenen elektromagnetischen Emissionsgrenzen nicht überschritten werden.

Switch 9: On = Bremse

Am Ende der Bewegung wird ein Bremsvorgang am Motor ausgeführt, anfänglich nur schwach, dann kräftiger, so dass das Tor schnell, aber nicht ruckartig angehalten wird.

Switch 10: On

ROBO e THOR

Ohne Karte PIU:

- Kontrolllampe Tor Auf mit Proportionalblinken

Mit Karte PIU:

- "Photozellentest"

OTTO

Ohne Karte PIU:

- Zeit zusätzliche Beleuchtung = 4 Minuten

Mit Karte PIU:

- "Photozellentest"

Mit dieser Funktion kann bei Beginn einer jeden Bewegung die Betriebstüchtigkeit der Photozellen kontrolliert werden. Siehe Abschnitt PHOTOZELLENTTEST.

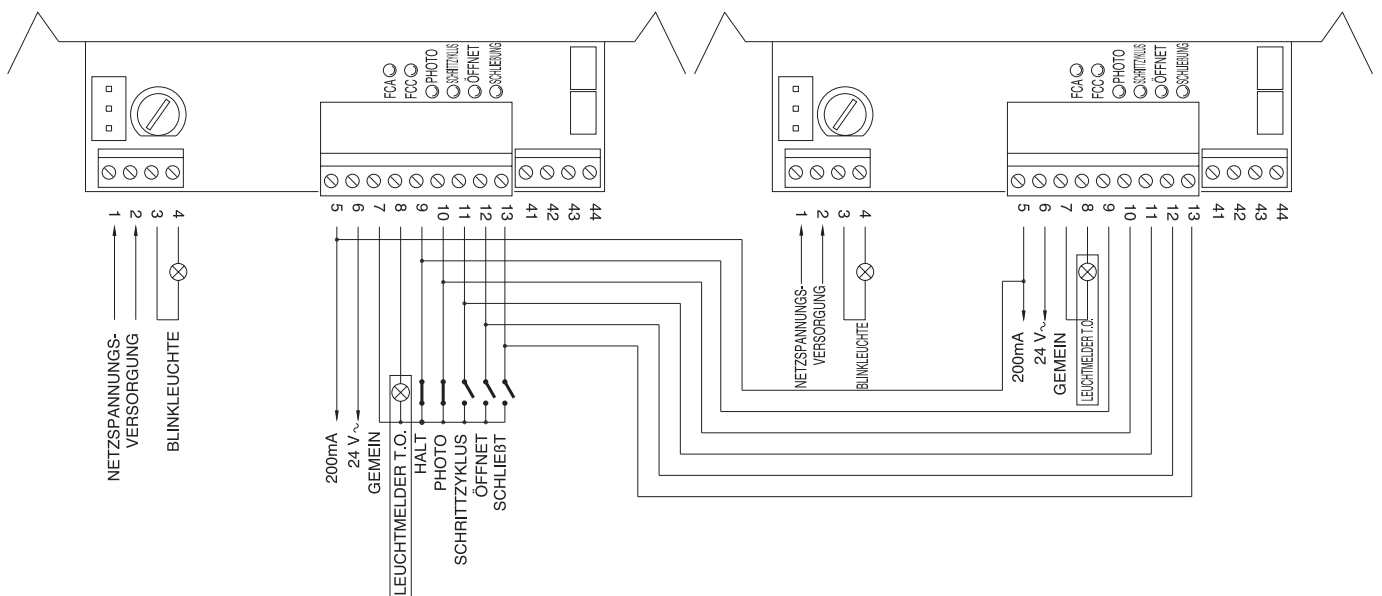
7) Verwendung von zwei Steuerungen an entgegengesetzten Torflügeln

Um eine Automatisierung mit 2 Torflügeln durchzuführen, die entgegengesetzt arbeiten, ist wie folgt vorzugehen:

- Zwei Motoren verwenden – die Steuerungen müssen wie in **Abbildung 5** gezeigt angeschlossen sein.
- Die Blinkleuchte und die "Kontrolllampe Tor Auf" unterschiedslos an eine der zwei Steuerungen.
- Die Eingänge müssen untereinander parallel geschaltet sein.
- Der "Gemeine Leiter" der Eingänge kann an eine der 2

Steuerungen angeschlossen werden.

- Die 0Volt (Klemme 5) der beiden Steuerungen zusammen anschließen.
- Die Funktion Photozellentest darf nicht verwendet werden.
- Die Funktion "Wohnblockbetrieb" (Dip-Switch 3) sollte aktiviert werden, damit die Torflügel wieder synchronisiert werden, falls die 2 Steuerungen nicht mehr gleichlaufen.



8) Sonderzubehör

Karte PIU

Die Steuerung enthält bereits alle Funktionen, die in einer normalen Installation verwendet werden; um den Anforderungen besonderer Anlagen gerecht zu werden, wurde die Sonderkarte "PIU" vorbereitet, mit der neue Funktionen wie Ampel, zusätzliche Beleuchtung, Elektroschloss, Photo2, Teilöffnung und Photozellentest hinzugefügt werden können.

Rot = rotes Licht der Ampel
Gewöhnlich immer abgeschaltet, schaltet sich das rote Licht während der Torbewegung ein.

Grün = grünes Licht der Ampel
Gewöhnlich eingeschaltet, schaltet sich das grüne Licht während der Torbewegung ab.

Elektroschloss = Ausgang für Elektroschloss.
Das Elektroschloss wird am Anfang der Bewegung in Öffnung für 1,5 Sekunden aktiviert.

Zusätzliche Beleuchtung/ Photozellentest

= Wenn dieser Ausgang für die zusätzliche Beleuchtung benutzt wird, wird sich am Beginn jeder Bewegung eine zusätzliche Beleuchtung einschalten, die bis nach Ende der Bewegung und je nach Zeit, die am Trimmer T.Cor. auf der Karte "PIU" programmiert wird, eingeschaltet bleibt. Wenn man die Funktion Photozellentest aktiviert (Dip-Switch10=ON), so wird es dieser

Teil-Öffnung

Ausgang ermöglichen, einen Test der Photozellen bei Bewegungsbeginn auszuführen.
= Eingang für Teilöffnung (Teilw. Auf, Stop, Zu, Stop). Führt die gleiche Funktion wie Schrittbetrieb an der Hauptkarte aus, mit dem Unterschied, dass die Bewegung in Öffnung die am Trimmer T.AP.P. der Karte "PIU" eingestellte Zeit dauert.

Foto 2

= Eingang 2. Sicherheitsvorrichtung. Diese Sicherheitsvorrichtung spricht nur bei der Bewegung in Öffnung an und verursacht ein Stop der Bewegungen mit eventuellem Wiederschließen, falls die "Halbautomatische" oder die "Automatische" Betriebsart an der Steuerung programmiert ist.

24 V

= 24V Ausgang, für die Versorgung von Nebenvorrichtungen wie Photozellen oder anderes verwendbar. Die Klemme 11 ist auch der Gemeine Leiter der Eingänge.

Karte RADIO

An der Steuerung befindet sich ein Verbinder für das Einstecken einer von Nice hergestellten Radiokarte, über die der Eingang SCHRTT-BETRIEB betätigt werden kann, wodurch die Steuerung über einen Sender ferngesteuert wird.

9) Wartung

Die Steuerung, ein elektronischer Teil, ist praktisch wartungsfrei; trotzdem sollte die Effizienz und die Einstellung der Regelvorrichtung der Motorkraft regelmäßig (mindestens alle 6 Monate) überprüft werden, wobei gegebenenfalls die Einstell-Trimmer zu betätigen sind.

Die in Prüfung verzeichneten Schritte nochmals durchführen, um die Effizienz der Endschalter und der Sicherheitsvorrichtungen (Photozellen, Sicherheitsleisten, usw.) und den korrekten Betrieb der Blinkleuchte zu kontrollieren.

10) Entsorgung

Dieses Produkt besteht aus verschiedenen Werkstoffen, von denen einige wiederverwertet werden können. Informieren Sie sich über die Recycling- oder Entsorgungsmethoden und halten Sie sich strikt an die örtlich gültigen Bestimmungen.

▲ Bestimmte elektronische Komponenten könnten umweltverschmutzende Substanzen enthalten – nicht in die Umwelt geben!

11) Was tun, wenn

Diese Punkte sollen dem Installateur bei der Lösung einiger der häufigsten Probleme, die bei der Installation auftreten können, behilflich sein.

Keine Led eingeschaltet:

- Prüfen, ob die Steuerung mit Netzspannung versorgt ist (prüfen, ob an den Klemmen 1-2 die Netzspannung und an den Klemmen 5-6 eine Spannung von ca. 24Vac vorhanden ist)
- Prüfen, ob die 2 Sicherungen der Versorgung beschädigt sind; falls auch jetzt keine Led eingeschaltet ist, so ist der Defekt wahrscheinlich schwer und die Steuerung muss daher ausgetauscht werden.

Die OK-Led blinkt regelmäßig, aber die Leds der EINGÄNGE melden den Zustand der jeweiligen Eingänge nicht

- Die Anschlüsse an den Klemmen der Eingänge 7÷13 genau überprüfen.

Keine Bewegung

- Prüfen, ob die Leds der Sicherheitsvorrichtungen "Stop" (FCA + FCC), "Photo" und eventuell "Photo2" aktiviert sind und ob die LED der Betriebsart ("Schrittbetrieb", "Öffnet" oder "Schließt") während der Dauer des Befehls aufleuchtet.

Während der Bewegung führt das Tor eine Umkehrung aus

Die Ursachen einer Umkehrung sind:

- Ein Ansprechen der Photozellen ("Photo2" in Öffnung, "Photo" in Schließung); in diesem Fall die Anschlüsse der Photozellen kontrollieren und gegebenenfalls die Anzeige-LEDS der Eingänge überprüfen.

12) Technische Merkmale

Stromversorgung	: 230 Vac 50/60 Hz
Versionen/V1	: 120 Vac 50/60 Hz
Höchststrom Nebeneinrichtungen 24 V	: 200mA
Ausgang Blinkleuchte	: Für Blinkleuchten mit Netzspannung ist die Höchstleistung 40 W
Ausgang Kontrolllampe Tor Auf "SCA"	: Für 24Vac Kontrolllampen ist die Höchstleistung 2 W
Betriebstemperatur	: -20 ÷ 70 °C
Arbeitszeit an ROBO/THOR	: von 2,5 bis >60 s. oder von <50 bis >120 s. mit TLM verstellbar
Arbeitszeit an OTTO	: von 2,5 bis >20 s. oder von <20 bis >40 s. mit TLM verstellbar
Pausezeit	: von 5 bis >160 s. verstellbar.

An Karte PIU

Zeit Teilöffnung ROBO/THOR	: von 1 bis > 30 s. verstellbar.
Zeit Teilöffnung OTTO	: von 1 bis > 14 s. verstellbar.
Zeit Zusätzliche Beleuchtung	: von 1 bis > 180 s. verstellbar.

central de mando

motorreductores
robo, thor, otto

Indice:	pág.		pág.		
1	Descripción del producto	53	6	Funciones programables	59
2	Instalación	54	6.1	Descripción de las funciones	60
2.1	Instalación típica	54	7	Empleo de dos centrales en hojas contrapuestas	61
2.2	Conexiones eléctricas	54	8	Accesorios opcionales	62
2.2.1	Esquema eléctrico	55	9	Mantenimiento	62
2.2.2	Descripción de las conexiones	55	10	Desguace	62
2.2.3	Fototest	56	11	Qué hay que hacer si...	63
2.2.4	Control de las conexiones	57	12	Características técnicas	63
3	Regulaciones	57			
4	Ensayo	58			
5	Modos de funcionamiento	59			

Advertencias:

⚠ Este manual está destinado sólo al personal técnico cualificado para la instalación.

Ninguna información contenida en este manual puede ser considerada de interés para el usuario final.

Este manual se refiere sólo a esta central y no se debe emplear para otros productos.

Se aconseja leer con atención, una vez como mínimo, todas las instrucciones antes de proceder con la instalación.

1) Descripción del producto

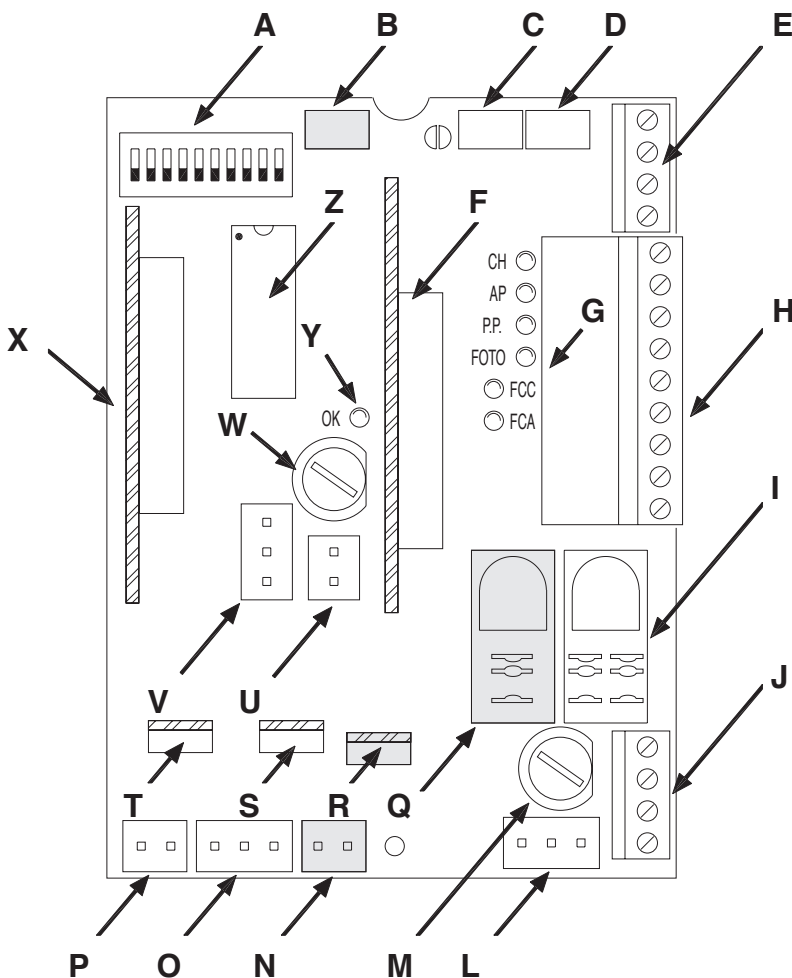
Esta central para la automatización de cancelas o puertas automáticas permite accionar los actuadores ROBO, OTTO, THOR de corriente alterna monofásica.

De acuerdo con el tipo de actuador que se ha de accionar, la central tiene variantes, tales como: "Regulación de Fuerza", "Indicador luminoso Cancela Abierta" y "Luz de cortesía".

Además, cuenta con una serie de funciones que se seleccionan por medio de los "Dip-Switches" (mini-selectores) y regulaciones que se realizan con los trimmers.

En la central hay leds situados cerca de las entradas que indican el estado; otro led, colocado cerca del microprocesador, indica que la lógica interior funciona correctamente.

Para reconocer más fácil las piezas en la **fig.1** se muestran los componentes más importantes.



- A** Dip-Switch de selección de las funciones
- B** Trimmer de regulación Fuerza
- C** Trimmer de regulación Tiempo Funcionamiento TL
- D** Trimmer de regulación Tiempo Pausa TP
- E** Caja de conexiones para la antena y 2º canal
- F** Conexión tarjeta RADIO
- G** Led de indicación del estado de las entradas
- H** Caja de conexiones Entradas / Salidas de mando
- I** Relé Común
- J** Caja de conexiones alimentación / Luz intermitente
- L** Conector primario del transformador
- M** Fusible de línea (5A)
- N** Conector de salida de la Luz de Cortesía (sólo en OTTO)
- O** Salida alimentación motor
- P** Conector del condensador
- Q** Relé "Punto de arranque"
- R** Triac "Luz de cortesía" (sólo en OTTO)
- S** Triac "Cerrar"
- T** Triac "Abrir"
- U** Conector secundario del transformador
- V** Entrada fin de carrera FCA / FCC
- W** Fusible de baja tensión (500mA)
- X** Conexión tarjeta PIU
- Y** Led OK
- Z** Microprocesador

1

	Código Producto*	Código Central de mando*	Función Adicional
ROBO	RO1000	ROA3	Trimmer de "Regulación Fuerza"
	RO1020		
	RO1010	ROA4	Relé "Punto de arranque"
THOR	TH1551	THA5	Trimmer de "Regulación Fuerza"
	TH2251	THA6	Relé "Punto de arranque"
OTTO	OT21	OTA1	Salida "Luz de cortesía"

* = añadir al código V1 para versión 120 V 50/60 Hz

2) Instalación

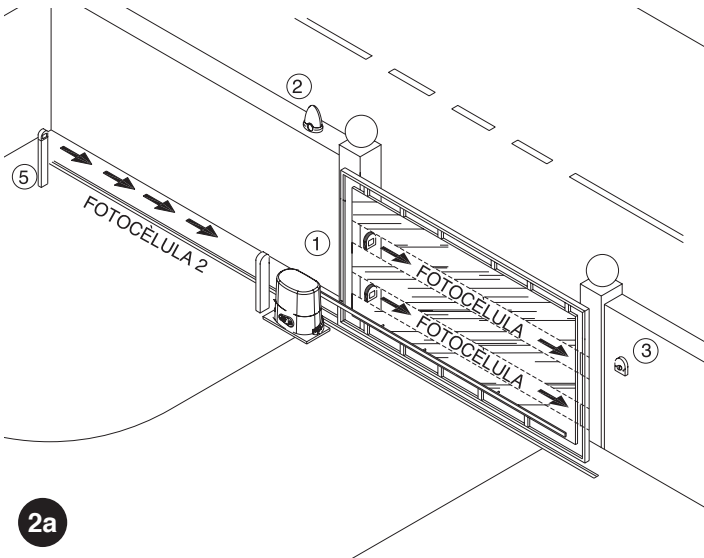
⚠ Recuerde que los sistemas de cancelas y puertas automáticas tienen que ser instalados sólo por personal técnico cualificado y respetando las normas vigentes.

Siga con atención las advertencias del fascículo: "Advertencias para el instalador".

2.1) Instalación típica

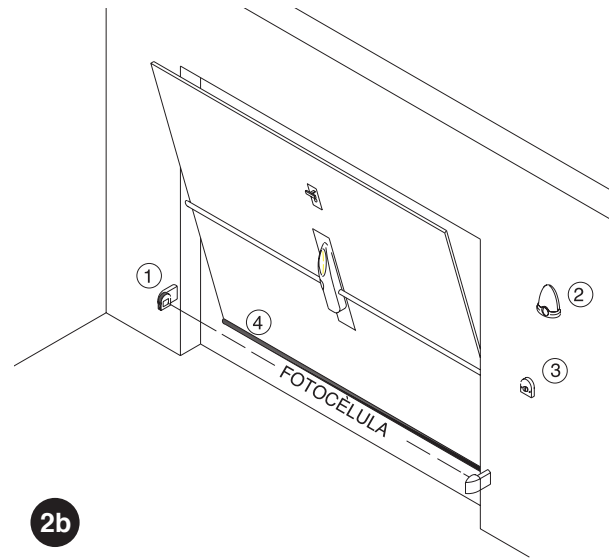
A fin de aclarar algunos términos y algunos aspectos de una instalación de automatización para puertas o cancelas, damos un ejemplo típico.

ROBO / THOR



2a

OTTO



2b

- 1) Par de fotocélulas "Fotocélula"
- 2) Luz intermitente
- 3) Selector de llave
- 4) Borde neumático
- 5) Par de fotocélulas "Fotocélula 2"

Recordamos en particular que:

- Todas las fotocélulas fabricadas por NICE disponen del sistema de Sincronismo, que permite eliminar el problema de la interferencia entre dos pares de fotocélulas (para mayores aclaraciones véanse las instrucciones de las fotocélulas).
- El par de fotocélulas "Fotocélula" en apertura no tiene efecto, mientras que provoca una inversión durante el cierre.
- El par de fotocélulas "Fotocélula 2" durante el cierre no tiene efecto mientras que provoca una inversión durante la apertura.

2.2) Conexiones eléctricas

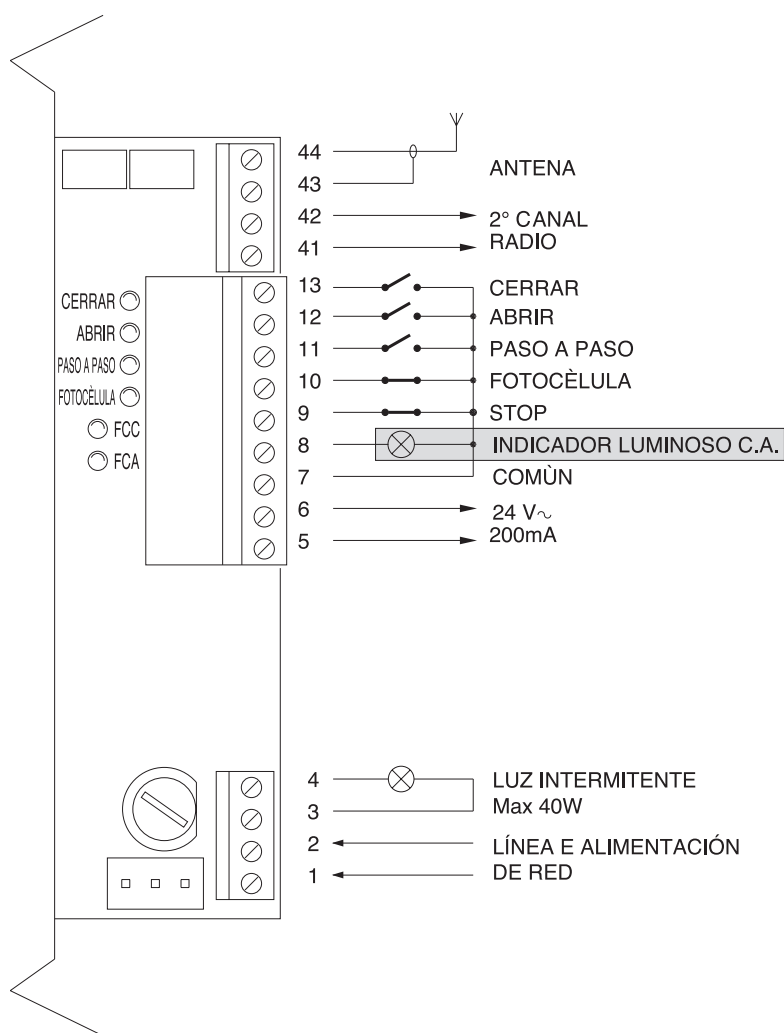
⚠ Para garantizar la seguridad del instalador y no averiar los componentes, mientras se efectúan las conexiones eléctricas, o se conectan las distintas tarjetas, la central debe estar completamente apagada.

- Alimente la central con un cable de 5 x 1,5mm²; si la distancia entre la central y la conexión a la instalación de tierra es superior a 30 m, hay que instalar una placa de conexión a tierra cerca de la central.
- En las conexiones de las piezas de baja tensión de seguridad use cables de sección mínima de 0,25mm².
- Use cables de conductores encerrados si la longitud es superior a 30m, conectando la trenza de masa sólo del lado de la central.
- No conecte los cables en cajas enterradas aún si son herméticas.
- Las entradas de los contactos tipo Normalmente Cerrado (NC) que no se utilicen se tienen que conectar al "Común 24V" por medio de un conector puente, excluidas las entradas de las

fotocélulas si la función fototest está conectada; para más aclaraciones véase el párrafo "Fototest".

- Si para la misma entrada hay varios contactos NC, se deben conectar en "Serie" entre sí.
- Si las entradas de los contactos tipo Normalmente Abierto (NA) no se utilizan, se tiene que dejar libres.
- Si para la misma entrada hay varios contactos NA se conectan en "Paralelo" entre sí.
- Los contactos tienen que ser exclusivamente mecánicos y sin ningún potencial; no se admiten conexiones de configuración como aquéllas definidas "PNP", "NPN", "Open Collector", etc.

2.2.1) Esquema eléctrico



2.2.2) Descripción de las conexiones

Damos una descripción breve de las posibles conexiones de la central hacia el exterior.

Bornes	Funciones	Descripción
1-2	Alimentación	= Línea de alimentación de red
3-4	Luz intermitente	= Salida para la conexión de la luz intermitente con tensión de red (máx. 40W)
5-6	24 Vca	= Alimentación de los equipos auxiliares 24 Vca (Fotocélula, Radio, etc.) Máx 200mA
7	Común	= Común para todas las entradas
8	Indicador luminoso C.A	= Indicador luminoso cancela abierta 24 Vca máx. 2W (no instalado en la versión OTTO)
9	Stop	= Entrada con función de parada de la maniobra e inversión breve del movimiento
10	Fotocélula	= Entrada para los dispositivos de seguridad (Fotocélulas, bordes neumáticos)
11	Paso a Paso (PP)	= Entrada para el funcionamiento cíclico ("Abrir" - "Stop" - "Cerrar" - "Stop")
12	Abrir	= Entrada para el movimiento de apertura
13	Cerrar	= Entrada para el movimiento de cierre
41-42	2º Canal Radio	= Salida del posible segundo canal del radioreceptor
43-44	Antena	= Entrada para la antena del radioreceptor

2.2.3) Fototest

“Fototest” es una óptima solución en términos de fiabilidad para los dispositivos de seguridad, permite lograr la “categoría 2” según la norma UNI EN 954-1 (edic. 12/1998) respecto del grupo central y fotocélulas de seguridad.

Cada vez que se acciona una maniobra, son controlados todos los dispositivos de seguridad implicados y la maniobra comienza sólo si todo está en perfectas condiciones. Si en cambio la prueba no da resultado positivo (fotocélula encandilada por el sol, cables en cortocircuito, etc.) se detecta la avería y la maniobra no se realiza.

Para obtener la función “Fototest” es necesario:

- Utilizar la tarjeta adicional “PIU”.
- Configurar el Dip-Switch 10 en ON .
- Realizar una configuración especial en las conexiones de los dispositivos de seguridad, como muestra la **fig. 4a**, que prevé la conexión de la alimentación de los transmisores de las fotocélulas no directamente a la salida de los equipos auxiliares, sino que cortando dicha alimentación pasando por los bornes 7 y 8 de la tarjeta PIU. La corriente máxima que se utiliza en el salida “Fototest” de la tarjeta “PIU” es 100mA (2 pares de fotocélulas Nice).
- Alimentar los receptores directamente desde la salida de los equipos auxiliares de la central (bornes 5-6).

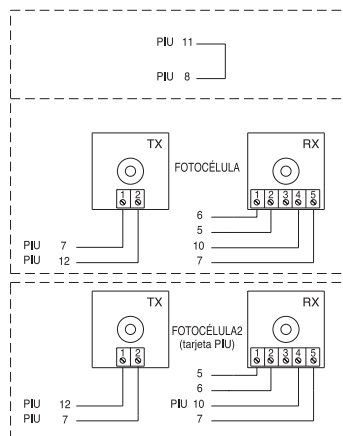
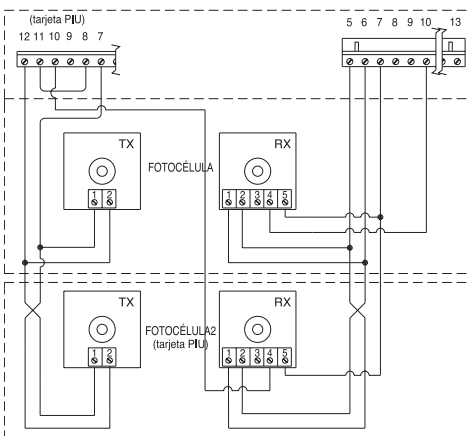


Si en un segundo momento no se desea utilizar más la función “Fototest”, habrá que bajar el Dip-Switch 10 y modificar la configuración de las conexiones, como muestra la **fig. 4b**.

El ensayo de las fotocélulas se realiza del siguiente modo: cuando se requiere un movimiento, en primer lugar se controla que todos los receptores implicados en el movimiento den el asenso; luego, se apaga la alimentación a los transmisores y se controla que todos los receptores señalen el hecho cortando el asenso; por último, se reactiva la alimentación de los transmisores y se controla nuevamente el asenso por parte de todos los receptores. Sólo si esta secuencia da resultado positivo, la maniobra iniciará.

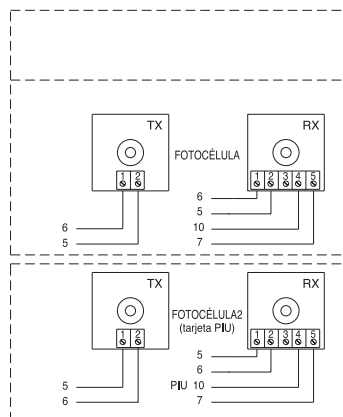
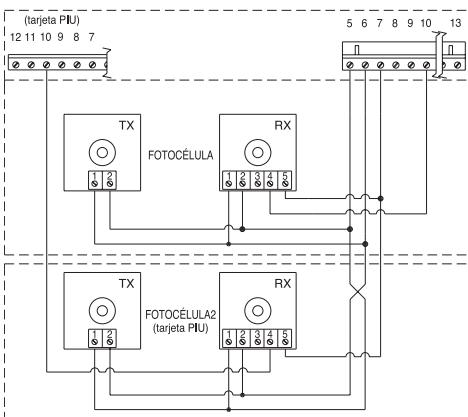
Además, se aconseja activar el sincronismo cortando las conexiones puente en los transmisores; este es el único modo para garantizar que dos pares de fotocélulas no interfieran entre sí. Controle en el manual de las fotocélulas las instrucciones para el funcionamiento “Sincronizado”.

Si una entrada sujeta a “Fototest” no se utilizara (ejemplo “Fotocélula2”) e igualmente desea la función fototest, hay que conectar con un conector puente la entrada no utilizada, como indicado en la **fig. 4c**.



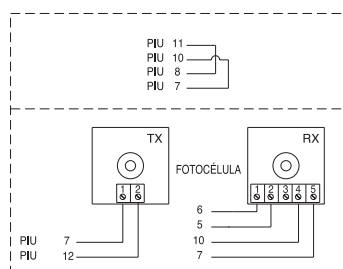
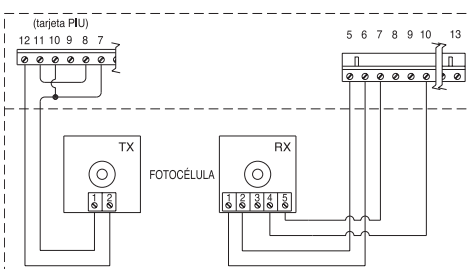
4a

“Fotocélula” y “Fotocélula2” con “Fototest”



4b

“Fotocélula” y “Fotocélula2” sin “Fototest”



4c

“Fotocélula” con “Fototest”

2.2.4) Control de las conexiones

⚠ Las siguientes operaciones se efectúan con los circuitos bajo tensión; la mayoría de los circuitos está a muy baja tensión de seguridad y, por ello, no son peligrosos; algunas piezas están bajo tensión de red, es decir, **“MUY PELIGROSAS”!** Tenga mucho cuidado en lo que está haciendo y **NUNCA TRABAJE SÓLO!**

- Alimente la central y controle de inmediato que entre los bornes 5-6 haya una tensión de 24 Vca.
- Controle que, después de un parpadeo rápido, el led “OK” parpadee con una cadencia regular.
- Entonces, controle que los leds que corresponden a las entradas con contactos tipo NC estén encendidos (todos los dispositivos de seguridad accionados) y que los leds que corresponden a las entradas con contactos tipo NA estén apagados (ningún accionamiento activo); si esto no se produce, controle las conexiones y que todos los dispositivos funcionen correctamente. la entrada STOP se acciona apagando FCA y FCC.
- Controle que los fines de carrera estén bien conectados; mueva la palanca del fin de carrera y controle que el fin de carrera correspondiente se accione, apagando el led respectivo en la central.
- Desbloquee la hoja y colóquela a la mitad de la carrera, luego bloquéela para que se pueda abrir o cerrar libremente.
- Entonces, controle si el movimiento se efectúa en la dirección correcta, es decir, controle que el movimiento previsto por la central y aquél efectivo de las hojas correspondan. Este control es fundamental; si la dirección es incorrecta, en algunos casos (por ejemplo en modo “semiautomático”) la automatización

aparentemente podría funcionar regularmente; en efecto, el ciclo “Abrir” es parecido al ciclo “Cerrar” con la diferencia fundamental de que los dispositivos de seguridad son ignorados en la maniobra de cierre, la cual es generalmente más peligrosa, y se accionarán durante la apertura provocando un cierre sobre el obstáculo con resultados desastrosos.

- Para controlar si el sentido de rotación es correcto, es suficiente dar un breve impulso en la entrada Paso a Paso (PP); la primera maniobra que la central efectúa tras haber sido accionada siempre es Abrir, luego es suficiente controlar si la automatización se abre; por último, si el movimiento se ha efectuado en el sentido incorrecto es necesario:
 - Apagar la alimentación
 - Girar 180° el conector de alimentación del motor y el de los fines de carrera (Ref. “O” y Ref. “V” de **Fig.1**)
 - Una vez efectuado cuanto descrito, conviene probar nuevamente si el sentido de rotación es correcto, repitiendo el último punto.



El led “OK”, situado en el centro de la tarjeta, tiene la función de señalar el estado de la lógica interior: un parpadeo regular cada 1 segundo indica que el microprocesador interior está activo y espera el mando. En cambio, cuando el microprocesador reconoce una variación del estado de una entrada (bien de una entrada de mando o de un Dip-Switch de las funciones) produce un parpadeo doble rápido, incluso si la variación no provoca efectos inmediatos. Un parpadeo rápido de 3 s. indica que la central se ha apenas encendido y está realizando un ensayo de las piezas internas; por último un parpadeo inconstante indica que el ensayo no tuvo resultados positivos y, por consiguiente, hay una avería.

3) Regulaciones

Las regulaciones se efectúan con los trimmers que actúan modificando los siguientes parámetros:

Tiempo Funcionamiento (TL):

Regula la duración máxima de la maniobra de apertura o cierre.

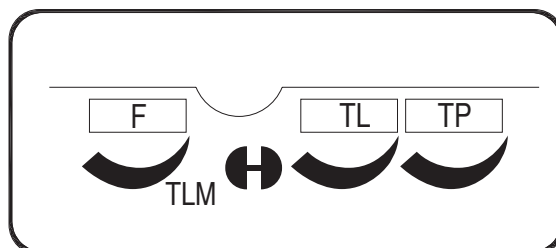
Para regular el tiempo de funcionamiento TL, seleccione el modo de funcionamiento “Semiautomático” desplazando hacia ON el Dip-Switch 1 y luego regule el trimmer TL a la mitad de la carrera. Con dichas regulaciones realice un ciclo de apertura y de cierre; si fuera necesario, actúe sobre la regulación del trimmer TL de manera que sea suficiente para cumplir toda la maniobra y que todavía quede un margen de 2 ó 3 s..

Si colocando el trimmer TL al máximo no se obtiene un tiempo suficiente, corte el conector puente TLM, colocado en el circuito impreso entre los trimmers TL y TP, para obtener un tiempo de Funcionamiento mayor.

Tiempo Pausa (TP):

En el funcionamiento “automático” regula el tiempo entre el final de la maniobra de apertura y el comienzo de la maniobra de cierre.

Para regular el Tiempo Pausa TP, seleccione el modo de funcionamiento “Automático” desplazando hacia ON el Dip-Switch 2, luego regule el trimmer TP a placer. Para el control, ejecute una maniobra de apertura y controle el tiempo que transcurre antes del cierre “Automático”.



Fuerza (F):

Instalada en la central para el accionamiento, permite regular el valor de la “Fuerza” máxima.

Preste mucha atención cuando regule el trimmer “Fuerza” (F), puesto que puede influir sobre el grado de seguridad de la automatización. Para la regulación hay que actuar por tentativas sucesivas, midiendo la fuerza aplicada a la hoja y comparándola con cuanto previsto por las normas.

En las centrales RO1010 y OT21 la “Fuerza” se regula con un selector de varias posiciones, situado en la caja del transformador de alimentación de la central.

4) Ensayo

Finalizados los controles y regulaciones es posible efectuar el ensayo de la instalación.

⚠ El ensayo de la automatización tiene que ser efectuado por personal cualificado y experto que deberá establecer los ensayos previstos de acuerdo con el riesgo presente.

El ensayo es la parte más importante de toda la etapa de realización de la automatización. Cada componente, por ejemplo motor, dispositivo de parada de emergencia, fotocélulas, etc. puede requerir un ensayo específico; por consiguiente, se aconseja seguir los procedimientos indicados en los manuales de instrucciones respectivos.

Para el ensayo de la central ejecute el siguiente procedimiento:

1. Seleccione las funciones:
 - Configure en ON el Dip-Switch 1 (Funcionamiento "semiautomático")
 - Si no se han realizado las conexiones de la **fig.4a** para el uso de la función "Fototest" (si está instalada la tarjeta PIU), configure en ON el Dip-Switch 10 (Función "fototest").
 - Configure en OFF todos los demás Dip-Switches
2. Oprima el botón de mando "Abrir" o "Paso a Paso" y compruebe que:
 - se active la luz intermitente
 - empiece una maniobra de apertura
 - el movimiento se detenga al alcanzar el fin de carrera de apertura FCA.
3. Oprima el botón de mando "Cerrar" o "Paso a Paso" y compruebe que:
 - se active la luz intermitente
 - empiece una maniobra de cierre
 - el movimiento se detenga al alcanzar el fin de carrera de cierre FCC
4. Haga iniciar una maniobra de apertura y controle que durante la maniobra, el accionamiento de un dispositivo:
 - conectado a la entrada "Stop", provoca la parada con una inversión breve del movimiento
 - conectado a la entrada "Fotocélula", no tenga ningún efecto
 - conectado a la entrada "Fotocélula2", provoque la parada y la inversión de la maniobra (si está instalada la tarjeta PIU).
5. Haga iniciar una maniobra de cierre y controle que durante la maniobra, el accionamiento de un dispositivo:
 - conectado a la entrada "Stop", provoca la parada con una inversión breve del movimiento
 - conectado a la entrada "Fotocélula", provoque la parada y la inversión de la maniobra
 - conectado a la entrada "Fotocélula2", no tenga ningún efecto (si está instalada la tarjeta PIU).
6. En las entradas conectadas, controle que la activación de la entrada provoque un paso en la secuencia:
 - Entrada Paso a Paso: Secuencia = "Abrir" – "Stop" – "Cerrar" – "Stop"
 - Entrada Abrir: Secuencia = "Abrir" – "Stop" – "Abrir" – "Stop"
 - Entrada Cerrar: Secuencia = "Cerrar" – "Stop" – "Cerrar" – "Stop"
 - Entrada Abrir Parcial: Secuencia = "Abrir Parcial" – "Stop" – "Cerrar" – "Stop" (si está instalada la tarjeta PIU).
7. Si se utiliza la función fototest, controle la eficiencia del ensayo (si está instalada la tarjeta PIU):
 - Cubra la fotocélula "Fotocélula", haga iniciar una maniobra y controle que dicha maniobra no arranque
 - Cubra la fotocélula "Fotocélula2", haga iniciar una maniobra y controle que dicha maniobra no arranque
 - Realice un cortocircuito en el contacto de la fotocélula "Fotocélula", haga iniciar una maniobra y controle que dicha maniobra no arranque
 - Realice un cortocircuito en el contacto de la fotocélula "Fotocélula2", haga iniciar una maniobra y controle que dicha maniobra no arranque
8. Realice los ensayos para medir las "Fuerzas de Impacto", como previsto por la norma EN 12445.

Si al final del ensayo se activan otras funciones que puedan reducir la seguridad de la instalación, es necesario efectuar el ensayo específico de dichas funciones.

5) Modos de funcionamiento

En el funcionamiento en modo manual la entrada "Abrir" permite el movimiento de apertura y la entrada "Cerrar" permite el movimiento de cierre. El "Paso a Paso" permite el movimiento de apertura y cierre alternativamente.

Ni bien cesa el mando de entrada el movimiento se detiene. Durante la apertura el movimiento se detiene cuando se accionan los fines de carrera, o bien si falta el permiso de la "Fotocélula 2" (en la tarjeta PIU); en cambio, durante el cierre, el movimiento se detiene si falta el asenso de "Fotocélula". El accionamiento de "Stop" provoca una parada inmediata del movimiento tanto durante la apertura como durante el cierre. Cuando el movimiento se detiene, deje de accionar el mando en entrada antes de poder iniciar con un nuevo movimiento.

Durante el funcionamiento en uno de los dos modos automáticos ("Semiautomático", "Automático" o "Cerrar Siempre") un impulso de accionamiento en la entrada "Abrir" provoca el movimiento de apertura. Un impulso sobre "Paso a Paso" provoca la apertura o el cierre alternativamente. Un segundo impulso sobre "Paso a Paso",

o sobre la misma entrada que ha comenzado el movimiento, provoca un Stop.

El accionamiento de "Stop" provoca una parada inmediata del movimiento, tanto durante la apertura como durante el cierre.

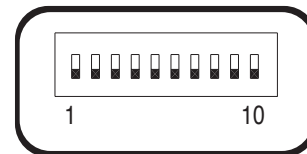
Si en una entrada de mando en vez de un impulso se mantiene una señal continua, se provoca un estado de "preponderancia" en el cual las demás entradas quedan desactivadas (**útil para conectar un reloj o un selector Noche-Día**).

Si se selecciona el modo de funcionamiento automático, tras una maniobra de apertura, se efectúa una pausa y luego el cierre. Si durante la pausa se acciona "Fotocélula" el temporizador se restablecerá con un nuevo tiempo de pausa; si en cambio durante la pausa se acciona "Stop", la función de cierre se pone a cero y se pasa a un estado de "Stop". Durante la apertura el accionamiento de "Fotocélula" no tiene ningún efecto, mientras que la "Fotocélula2" (en la tarjeta PIU) provoca la inversión del movimiento; durante el cierre, el accionamiento de "Fotocélula" provoca una inversión del movimiento, luego una pausa y finalmente un nuevo cierre.

6) Funciones programables

La central dispone de una serie de microinterruptores que permiten activar varias funciones para que la instalación sea más adecuada a las exigencias del usuario y más segura en cualquier condición de empleo. Todas las funciones se activan poniendo el respectivo Dip-Switch en la posición "On", mientras que con el Dip-Switch correspondiente en "Off" no están activas.

⚠ Algunas de las funciones programables están vinculadas con aspectos de la seguridad; evalúe con mucha atención los efectos de una función y verifique cuál es la función que brinde la mayor seguridad posible.



Los Dip-Switches permiten seleccionar los diferentes modos de funcionamiento e introducir las funciones deseadas según la siguiente tabla:

Switch 1-2:	Off-Off	= Movimiento "Manual", es decir Pulsador de interrupción automática
	On -Off	= Movimiento "Semiautomático"
	Off-On	= Movimiento "Automático", es decir cierre automático
	On -On	= Movimiento "Automático + Cerrar Siempre"
Switch 3:	On	= Funcionamiento Comunitario < no disponible en modo manual >
Switch 4:	On	= Parpadeo previo
Switch 5:	On	= Cierra 5 s. después de Fococélula < si está en "Automático"> o Cierra después de "Fococélula" < si está en "Semiautomático">
Switch 6:	On	= Dispositivo de seguridad "Fococélula" también durante apertura
Switch 7:	On	= Arranque gradual
Switch 8:	On	= Deceleración
Switch 9:	On	= Freno
Switch 10:	Sin tarjeta PIU	(en Robo) On = Indicador luminoso C.A. con parpadeo proporcional
		(en Otto) On = Tiempo luz de cortesía = 4 minutos
Con tarjeta PIU		On = Función "Fototest"

NOTA: algunas funciones son posibles en determinadas condiciones que se señalan con las notas entre los signos "<...>".

6.1) Descripción de las funciones

A continuación, damos una breve descripción de las funciones que se pueden introducir colocando en "On" el Dip-Switch correspondiente.

Switch 1-2: Off-Off	= Movimiento "Manual" (Pulsador de interrupción automática)
On-Off	= Movimiento "Semiautomático"
Off-On	= Movimiento "Automático" (cierre automático)
On-On	= Movimiento "Automático + Cerrar siempre"

Durante el funcionamiento "Manual" el movimiento se efectúa sólo hasta que se acciona el mando (botón apretado).

En modo "Semiautomático" es suficiente dar un impulso de mando para que se cumpla todo el movimiento, hasta que termina el Tiempo Funcionamiento o alcanzar el fin de carrera. En el funcionamiento en modo "Automático", después de la apertura, se efectúa una pausa y luego un cierre automático. La función "Cerrar Siempre" se acciona tras un corte de alimentación, si detecta que la cancela está abierta, se pone en marcha automáticamente una maniobra de cierre, antecedida por 5 segundos de parpadeo previo.

Switch 3: On	= Funcionamiento comunitario (no disponible en modo Manual)
---------------------	---

Durante el funcionamiento comunitario, una vez que se puso en marcha un movimiento de apertura, la maniobra no puede ser interrumpida por otros impulsos de mando en "Paso a Paso" o "Abrir", hasta que no finalice el movimiento de apertura. Durante el movimiento de cierre, al efectuar un nuevo accionamiento, se produce la parada y la inversión del movimiento y se abre nuevamente.

Switch 4: On	= Parpadeo previo
---------------------	-------------------

Al recibir el impulso de mando, primero se activa la luz intermitente, luego, transcurridos 5 s. (2 s. si está en modo "manual") inicia el movimiento.

Switch 5: On	= Cierra 5 s.s después de "Fotocélula" < si está en "Automático" > o Cierra después de "Fotocélula" < si está en "Semiautomático" >
---------------------	---

Esta función, si está en ciclo automático, permite mantener la cancela abierta sólo por el tiempo necesario para el paso; en efecto, después de la activación de Fococélula la maniobra se detiene. Después de 5 s., arrancará automáticamente una maniobra de cierre. Si está en ciclo semiautomático, un accionamiento de fotocélula en la maniobra de cierre activa el cierre automático con el tiempo de pausa regulado.

Switch 6: On	= Dispositivo de seguridad ("Fotocélula") también durante apertura
---------------------	--

Normalmente, el dispositivo de seguridad "Fotocélula" está activo sólo durante la maniobra de cierre, si el Dip-Switch 6 se coloca en "On" el accionamiento del dispositivo de seguridad provoca una interrupción del movimiento también durante la apertura.

Si está en "Semiautomático" o "Automático", el movimiento de apertura se reanuda inmediatamente después de la desconexión.

Switch 7: On	= Arranque gradual
---------------------	--------------------

Ejecuta el arranque gradual del movimiento evitando sacudidas indeseables de la automatización.

Switch 8: On	= Deceleración
---------------------	----------------

La deceleración consiste en una disminución de la velocidad del 30% de la velocidad nominal, para evitar sacudidas inútiles al final de la maniobra.



La función de deceleración, además de disminuir la velocidad de la automatización, disminuye un 70% el par del motor.

En automatizaciones que requieren un par elevado, dicha disminución podría provocar la parada inmediata del motor.

Versión ROBO / THOR:

Al terminar la maniobra de apertura o cierre, por la conclusión del Tiempo Funcionamiento, se efectúa una deceleración que dura tanto cuanto el Tiempo de Trabajo.

Si la maniobra concluye porque se accionó el fin de carrera, la deceleración no se ejecuta, entonces hay que regular el Tiempo Funcionamiento para que comience a decelerar 30-50 cm antes del accionamiento de los fines de carrera.

Versión OTTO:

Al terminar la maniobra de cierre, la etapa de deceleración dura 3 s., si es activada por el accionamiento de los fines de carrera; cuanto el TL si es activada por el final del Tiempo Funcionamiento (para un buen funcionamiento de la deceleración se aconseja usar los fines de carrera).

En la maniobra de apertura no se produce la deceleración, sino una parada gradual.

▲ Si no se utiliza la función de deceleración en instalaciones sensibles, y si esta dura más de 3 segundos, hay que introducir en los bornes de alimentación de red, situados cerca de la central, un filtro de red de 6A como

mínimo, con atenuación de 30 dB para no superar los límites de emisión electromagnética indicados en la norma EN 50081-1.

Switch 9: On = Freno

Al final del movimiento se ejecuta un procedimiento de freno en el motor: primero suave y luego más intenso, para detener la cancela rápidamente pero sin sacudidas.

Switch 10: On

ROBO e THOR

Sin tarjeta PIU conectada

- Indicador luminoso C.A. con parpadeo proporcional

Con tarjeta PIU conectada

- "Fototest"

OTTO

Sin tarjeta PIU conectada

- Tiempo luz de cortesía = 4 minutos

Con tarjeta PIU conectada

- "Fototest"

Esta función permite efectuar un control de la eficiencia de las fotocélulas cada vez que comienza una maniobra. Véase el capítulo "Fototest".

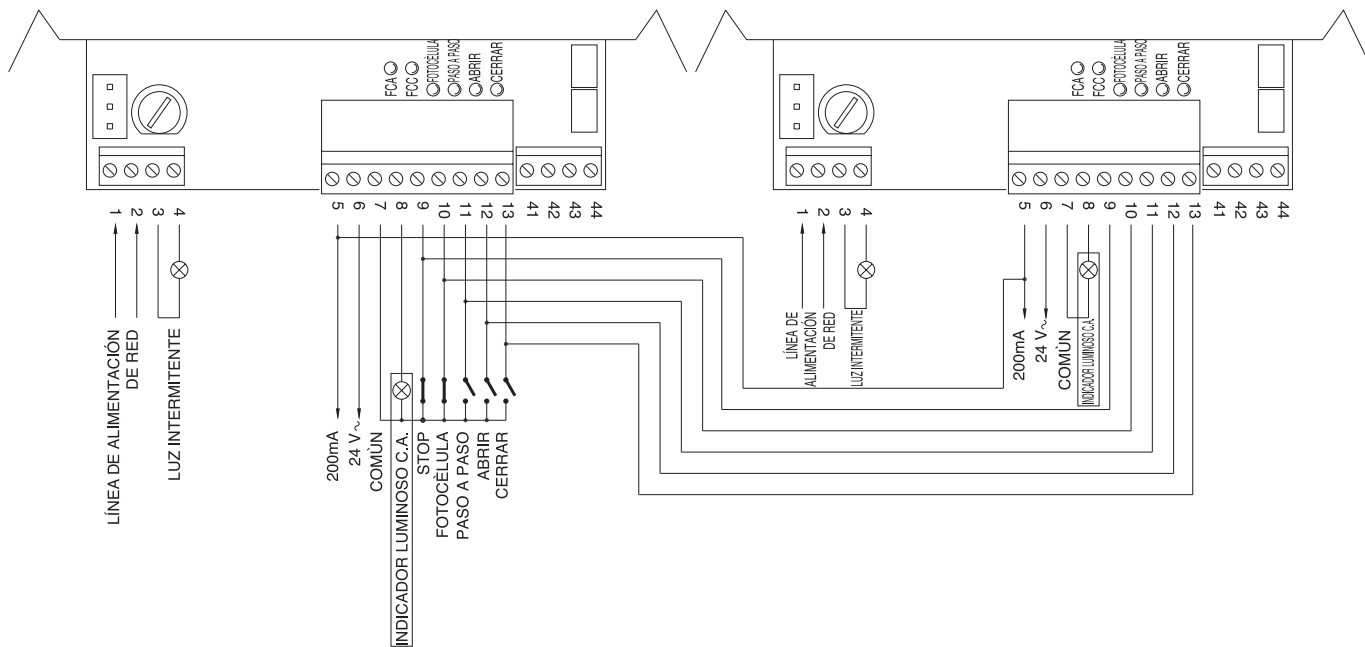
7) Empleo de dos centrales en hojas contrapuestas

Para realizar una automatización con 2 hojas que trabajan de manera contrapuesta, siga estos pasos:

- Use dos motores con las centrales conectadas como indicado en la **fig. 5**.
- Conecte la luz intermitente y el Indicador luminoso Cancela Abierta a una de las dos centrales indistintamente.
- Las entradas deben estar paralelas entre sí.
- El "Común" de las entradas se puede conectar a una de las 2

centrales.

- Conecte juntos los 0Voltios (Borne 5) de las dos centrales.
- No se debe utilizar la función "Fototest".
- Es oportuno conectar la función "Comunitaria" (Dip-Switch 3), puesto que permite sincronizar las hojas en el caso de que las dos centrales perdieran la sincronización.



5

8) Accesorios opcionales

Tarjeta PIU

La central contiene todas las funciones que se utilizan en una instalación normal. Para suplir las necesidades de instalaciones especiales, se ha creado una tarjeta opcional, "Tarjeta PIU", que permite lograr nuevas funciones como señales de semáforo, luz de cortesía, electrocerradura, "Fotocélula2", apertura parcial y "Fototest".

Rojo = Luz roja del semáforo
Generalmente, siempre está apagada; se enciende durante el movimiento de la cancela.

Verde = Luz verde del semáforo
Generalmente, queda encendida; se apaga durante el movimiento de la cancela.

Electrocerradura = Salida para el accionamiento de la electrocerradura
La electrocerradura se activa por 1,5 s. al inicio del movimiento de apertura.

**Luz de Cortesía/
Fototest** = Salida que se utiliza para el accionamiento de la luz de cortesía; permite el encendido, al inicio de cada movimiento, de una luz de cortesía que queda encendida hasta el final del movimiento también por el tiempo programado con el trimmer T.Cor. presente en la tarjeta "PIU".
Si se activa la función fototest (DIP 10 = ON) esta salida permite ejecutar un ensayo de las fotocélulas al comenzar la maniobra.

Tarjeta RADIO

En la central hay un conector para conectar una tarjeta radio, fabricada por Nice, que permite actuar sobre la entrada de "Paso a Paso" y así accionar la central a distancia con un transmisor.

Abrir parcial = Entrada para apertura parcial ("Abrir" Parc., "Stop", "Cerrar", "Stop"). Ejecuta la misma función del Paso a Paso en la tarjeta principal, con la diferencia de que la maniobra de apertura dura por el tiempo configurado en el trimmer T.AP.P. presente en la tarjeta "PIU".

Fotocélula 2 = Entrada del 2º dispositivo de seguridad. Este dispositivo de seguridad se acciona sólo en la maniobra de apertura, provocando la parada de los movimientos, con un posible cierre si en la central está programado un modo de funcionamiento "Semiautomático" o "Automático".

24 V = Salida 24V que se utiliza para alimentar los equipos auxiliares tales como fotocélulas o demás. El borne 11 también es el común para las entradas.

9) Mantenimiento

La tarjeta como pieza electrónica no requiere ningún tipo de mantenimiento especial. De todas maneras, controle periódicamente (cada 6 meses como mínimo) la perfecta eficiencia y la regulación del dispositivo de regulación de la Fuerza del motor, si fuera necesario, actúe sobre el trimmer de regulación.

Ejecute nuevamente la etapa de ensayo, para controlar que los fines de carrera, los dispositivos de seguridad (fotocélulas, bordes neumáticos, etc.) y la luz intermitente funcionen correctamente.

10) Desguace

Este producto está formado de varios tipos de materiales; algunos de tales materiales se pueden reciclar. Infórmese sobre los métodos de reciclaje o desguace ateniéndose a las normas locales vigentes.

⚠ Algunos componentes electrónicos podrían contener sustancias contaminantes: no los abandone en el medio ambiente.

11) Qué hay que hacer si...

Esta guía pretende ayudar al instalador a resolver algunos de los problemas más comunes que se le pueden presentar durante la instalación.

Ningún LED se enciende:

- Controle que la central esté conectada (controle que en los bornes 1-2 haya la tensión de red y en los bornes 5-6 haya una tensión de alrededor de 24Vca.)
- Controle si los 2 fusibles de alimentación están en buenas condiciones, y si tampoco así se enciende un Led, es probable que haya una avería grave. En este caso hay que sustituir la central.

El Led OK parpadea regularmente, pero los leds ENTRADAS no reflejan el estado de las entradas respectivas.

- Controle con atención las conexiones de los bornes de las entradas 7÷13.

La maniobra no arranca

- Controle que los Leds de los dispositivos de seguridad "Stop" (FCA + FCC), "Fotocélula" y "Fotocélula2" estén encendidos y que el Led del mando que se activa ("Paso a Paso", "Abrir" o "Cerrar") se encienda mientras dure el mando.

Durante el movimiento la cancela hace una inversión

Las causas que provocan una inversión son:

- Accionamiento de las fotocélulas ("Fotocélula2" durante la apertura o "Fotocélula" durante el cierre); en este caso controle las conexiones de las fotocélulas y, si fuera necesario, los Leds de señalización de las entradas.

12) Características técnicas

Alimentación de red	: 230 Vca 50/60 Hz
Versiones/V1	: 120 Vca 50/60 Hz
Corriente máx. equipos auxiliares 24 V	: 200mA
Salida luz intermitente	: para luz intermitente con tensión de red, potencia máxima 40W
Salida indicador luminoso Cancela Abierta	: para indicadores luminosos de 24Vca, potencia máxima 2W
Temperatura de servicio	: -20 ÷ 70 °C
Tiempo Funcionamiento en ROBO/THOR	: ajustable desde 2.5 a >60 s. o bien desde <50 a >120 s. con TLM
Tiempo Funcionamiento en OTTO	: ajustable desde 2.5 a >20 s. o bien desde <20 a >40 s. con TLM
Tiempo Pausa	: ajustable desde 5 a >160 s.

En Tarjeta PIU

Tiempo Ap. Parcial ROBO/THOR	: ajustable desde 1 a > 30 s.
Tiempo Ap. Parcial OTTO	: ajustable desde 1 a > 14 s.
Tiempo luz de cortesía	: ajustable desde 1 a > 180 s.

centrale sterownicze

motoreduktory
robo, thor, otto

Spis:	pag.		pag.		
1	Opis produktu	65	6	Funkcje z możliwością programowania	71
2	Instalowanie	66	6.1	Opis funkcji	72
2.1	Urządzenie typowe	66	7	Użytkowanie dwóch central przeciwstawnych	73
2.2	Połączenia elektryczne	66	8	Akcesoria dodatkowe	74
2.2.1	Schemat elektryczny	67	9	Czynności konserwacyjne	74
2.2.2	Opis połączeń	67	10	Zbyt	74
2.2.3	Fototest	68	11	Co robić gdy...	75
2.2.4	Kontrola połączeń	69	12	Dane techniczne	75
3	Regulacje	69			
4	Próby ostateczne	70			
5	Sposoby funkcjonowania	71			

Ostrzeżenie:

▲ Niniejsza instrukcja przeznaczona jest jedynie dla personelu technicznego z odpowiednimi kwalifikacjami do instalowania. Żadne informacje znajdujące się w niniejszej instrukcji nie są skierowane do końcowego użytkownika!

Instrukcja ta odnosi się do tej centrali i nie może być zastosowana do innych produktów.

Polecamy, aby przed przystąpieniem do instalowania zalecamy, przeczytać całą instrukcję!

1) Opis produktu:

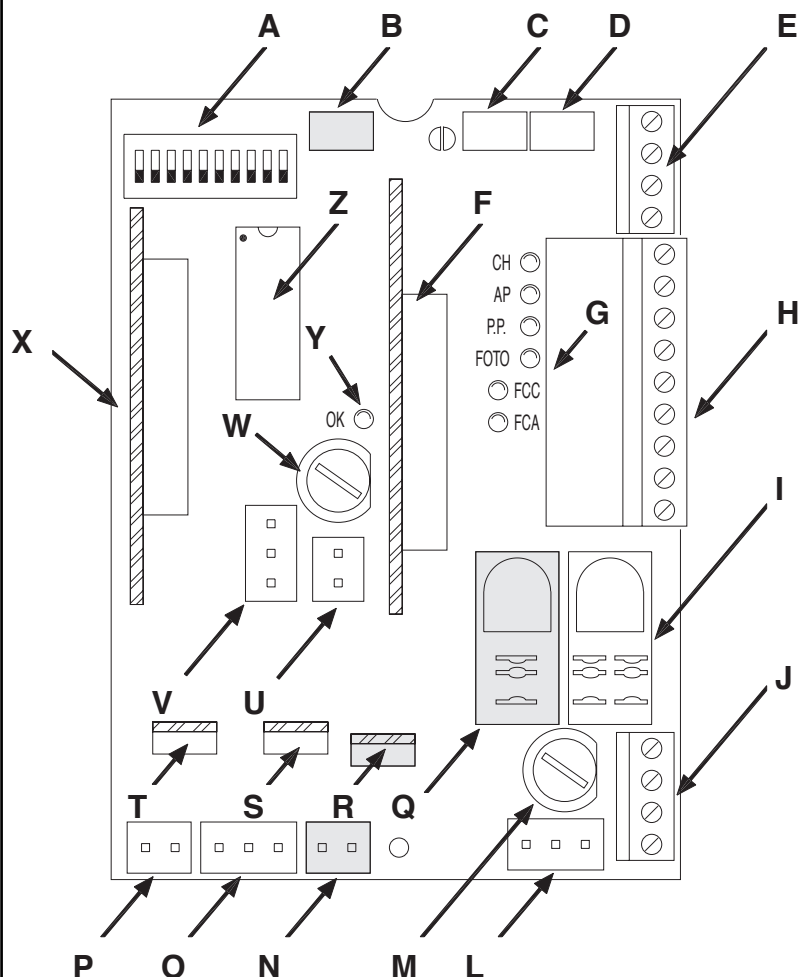
Centrala do automatyzacji bram i drzwi automatycznych, służy do napędu aktuatorów ROBO, OTTO, THOR. Jest zasilana jednofazowym prądem przemiennym.

W zależności od rodzaju napędzanego aktuatora, w centrali nastąpiły niektóre zmiany, jak np.: regulacja siły, Światelko Ostrzegawcze Bramy Otwartej i Światelko Grzecznościowe.

Występują także inne funkcje, które można wybrać poprzez "Dip-Switch" (mini selektory) i regulację trymerem.

W centrali, obok wejść, występują diody sygnalizujące ich stan, jedna dioda obok mikroprocesora sygnalizuje funkcjonowanie wewnętrznej logiki.

Aby rozpoznać poszczególne elementy, **fig.1** przedstawia podstawowe części centrali.



- A** Dip-Switch do selekcji funkcji
- B** Trymer regulacji Siły
- C** Trymer regulacji Czasu Pracy TL
- D** Trymer regulacji Czasu Przerwy TP
- E** Tabliczka zaciskowa do anteny i 2° kanał
- F** Łącze na kartę RADIO
- G** Dioda sygnalizacji stanu wejść
- H** Tabliczka zaciskowa Wejść / Wyjść sygnałów
- I** Przełącznik Wspólny
- J** Tabliczka zaciskowa zasilania/ lampy sygnalizacyjnej
- L** Łącze pierwszorzędne transformatora
- M** Bezpiecznik topikowy linii
- N** Łącze wyjścia Światelka grzecznościowego OTTO)
- O** Wyjście zasilania silnika
- P** Łącze kondensatora
- Q** Przełącznik Ruszania
- R** Triac "Światelka Grzecznościowego" (tylko w OTTO)
- S** Triac "Zamyka"
- T** Triac "Otwiera"
- U** Łącze drugorzędne transformatora
- V** Wejście wyłącznika krańcowego FCA / FCC
- W** Bezpiecznik topikowy niskiego napięcia (500mA)
- X** Łącze karty PIU
- Y** Dioda OK
- Z** Mikroprocesor

1

	Kod Produktu*	Kod Centrali Sterowniczej*	Funkcja Dodatkowa
ROBO	RO1000	ROA3	Trymer regulacji Siły
	RO1020		
	RO1010	ROA4	Przełącznik Ruszania
THOR	TH1551	THA5	Trymer regulacji Siły
	TH2251	THA6	Przełącznik Ruszania
OTTO	OT21	OTA1	Wyjście Światelka Grzecznościowego

* = dodać do kodu V1 do wersj 120 V 50/60 Hz

PL

2) Instalowanie:

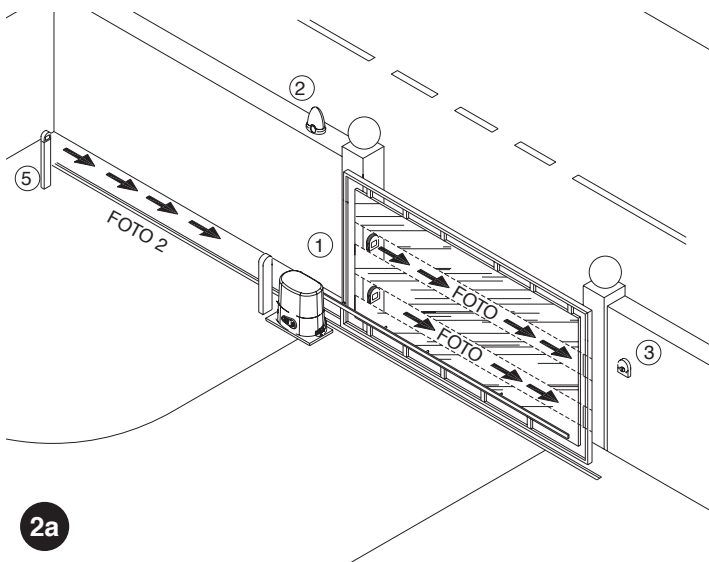
⚠ Przymińmy, że bramy i drzwi automatyczne mogą być instalowane tylko przez personel wykwalifikowany i w pełni

przestrzegając norm prawnych. Należy uważnie kierować się uwagami umieszczonymi w wydaniu: "Ostrzeżenia dla instalatora".

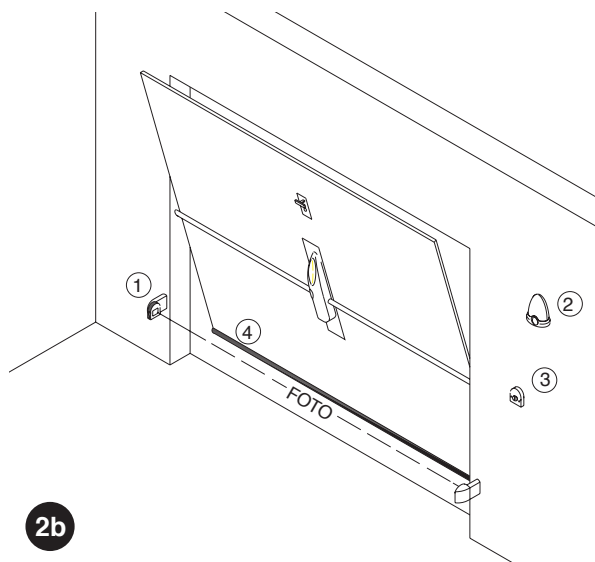
2.1) Urządzenie typowe

Mając na celu wyjaśnienie niektórych aspektów urządzenia automatyzacji do bram i drzwi przedstawiamy poniżej urządzenie typowe:

ROBO - THOR



OTTO



- 1) Para fotokomórek "Foto"
- 2) Lampa Sygnalizacyjna
- 3) Selektor kluczowy
- 4) Brzeg pneumatyczny
- 5) Para fotokomórek "Foto 2"

W szczególności przypominamy, że:

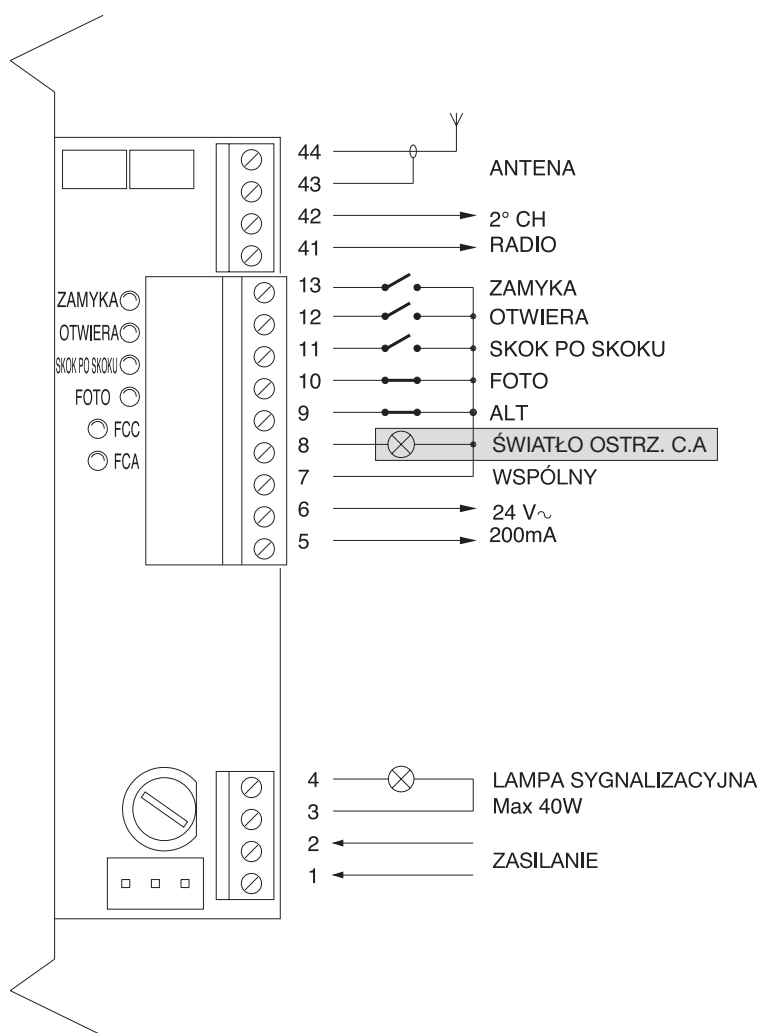
- Wszystkie fotokomórki wyprodukowane przez NICE posiadają system SYNCHRONIZACJI, który służy do eliminacji problemu interferencji pomiędzy dwoma parami fotokomórek (szczegółowe informacje zawarte są w instrukcjach fotokomórek).
- Para fotokomórek "Foto" podczas otwierania nie powoduje żadnego efektu ale powoduje inwersję podczas zamykania.
- Para fotokomórek "Foto 2" podczas zamykania nie powoduje żadnego efektu ale powoduje inwersję podczas otwierania.

2.2) Połączenia elektryczne

⚠ Mając na celu zagwarantowanie bezpieczeństwa operatorowi i zabezpieczenie przed wyrządzeniem szkód w elementach urządzenia, podczas wykonywania połączeń lub zakładania poszczególnych kart centrala musi być wyłączona.

- Zasilanie podłączyć do centrali przewodem $3 \times 1,5\text{mm}^2$. Gdy odległość między centralą a uziemieniem przekracza 30 m należy wykonać dodatkowe uziemienie obok centrali.
- Do połączeń części z niskim napięciem bezpieczeństwa należy stosować przewody o przekrojem minimalnym $0,25\text{mm}^2$
- Gdy odległość przekracza 30m należy zastosować przewody opancerzone, oplot uziemienia po stronie centrali.
- Nie wykonywać połączeń przewodów w skrzyniach podziemnych, nawet gdy są zupełnie wodoszczelne.
- Wejścia typu NC (Zwykle Zamknięty), gdy nie są używane, należy je połączyć szeregowo ze "Wspólnym 24 V" (z wyjątkiem wejść fotokomórek w przypadku gdy jest podłączona funkcja fototestu - dokładniejsze informacje umieszczone są w paragrafie Fototest
- Gdy do tego samego wejścia należy więcej kontaktów NC (zwykle zamknięte) muszą być ustawione SZEREGOWO względem siebie.
- Wejścia kontaktów typu Zwykle Otwarte (NA) gdy nie są używane muszą pozostać wolne.
- Gdy do tego samego wejścia należy więcej kontaktów Zwykle Otwarte (NA) należy ustawić je równolegle względem siebie.
- Używane przełączniki muszą być typu mechanicznego, bez napięcia, nie dozwolone są połączenia typów "PNP", "NPN", "Open Collector" itd.

2.2.1) Schemat elektryczny:



3

2.2.2) Opis połączeń

Przedstawiamy krótki opis możliwych połączeń z centrali na zewnątrz.

Zaciski	Funkcje	Opis
1-2	Zasilanie	= Linia zasilania z sieci
3-4	Lampa sygnalizacyjna	= Wyjście do połączenia lampy sygn. do napięcia sieciowego (Max. 40W)
5-6	24 Vpp	= Zasilanie funkcji 24 Vpp (Foto, Radio, itp.) Max 200mA
7	Wspólny	= Wspólny dla wszystkich wejść
8	Światło ostrz. C.A.	= Światło ostrzegawcze bramy otwartej 24 Vpp max. 2W (nie występują w wersji OTTO)
9	Alt	= Wejście z funkcją zatrzmania ruchu z krótką zmianą kierunku ruchu
10	Foto	= Wejścia urządzeń bezpieczeństwa (Fotokomórki, brzegi pneumatyczne)
11	Skok po skoku	= Wejście do ruchu cyklicznego (Otwiera - Stop - Zamyka - Stop)
12	Otwiera	= Wejście do ruchu otwierania
13	Zamyka	= Wejście do ruchu zamykania
41-42	2° Ch Radio	= Wyjście ewentualnego drugiego kanału odbiornika radiowego
43-44	Antena	= Wejście dla anteny odbiornika radiowego

PL


2.2.3) Fototest

Na szczególną uwagę zasługuje funkcja Fototestu, która jest optymalnym rozwiązaniem w zakresie urządzeń bezpieczeństwa i pozwala na osiągnięcie drugiej kategorii bezpieczeństwa, według normy UNI EN 954-1 (wyd. 12/1998) w zakresie bezpieczeństwa centrali i fotokomórek.

Przed rozpoczęciem ruchu sprawdzane są urządzenia bezpieczeństwa i gdy wszystko jest w porządku to ruch może się rozpocząć. Gdy jednak test nie da pozytywnego wyniku (fotokomórka oślepiona przez słońce, spięcie na przewodach, itp.) i zaistnieją jakaś odstępstwa to ruch nie zostanie wykonany.

W szczególności przypominamy, że:

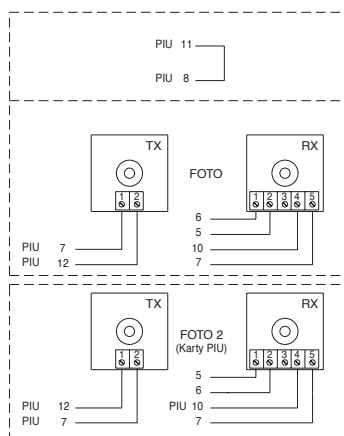
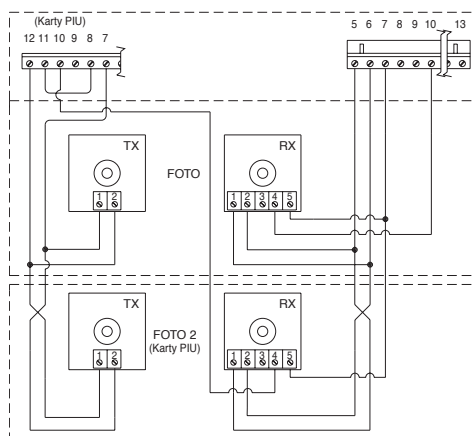
- Zastosowaniu dodatkowej karty "PIU".
- Ustawieniu Dip. 10 na ON,
- Wykonaniu specjalnej konfiguracji w połączeniu urządzeń bezpieczeństwa, zgodnie z tym, jak przestawiono na **fig.4a**, gdzie przewidziane jest połączenie zasilanie nadajników fotokomórek nie bezpośrednio do wyjścia funkcji ale poprzez przerwanie tego zasilania przechodząc przez zaciski 7 i 8 karty PIU. Maksymalne napięcie używane na wyjściu Fototest karty "PIU" to 100mA (2 pary fotokomórek NICE)
- Zasilaniu odbiorników bezpośrednio z wyjścia funkcji centrali (zaciski5-6).

 Gdy, w danej chwili, nie chcemy używać funkcji Fototestu to należy obniżyć Dip.10 i zmienić konfigurację połączeń zgodnie z tym, jak wskazano na **figurze 4b**.

Test fotokomórek wykonany jest w następujący sposób: przed wykonaniem ruchu wykonywana jest kontrola, czy wszystkie odbiorniki należące do danego ruchu dadzą zezwolenie na ruch. Następnie odcina się napięcie od nadajników i sprawdza się czy wszystkie odbiorniki zasygnalizują fakt odebrania zezwolenia. Następnie podłączy się zasilanie do nadajników i ponownie wykonywana jest kontrola obecności zezwolenia od wszystkich odbiorników. Gdy tylko ta sekwencja da pozytywny rezultat, to rozpocznie się faza ruchu.

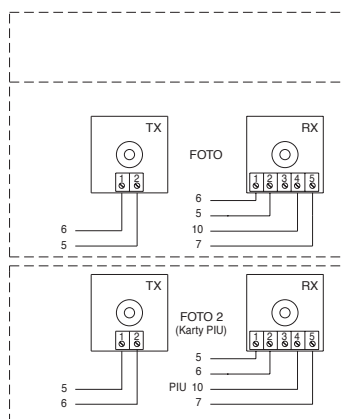
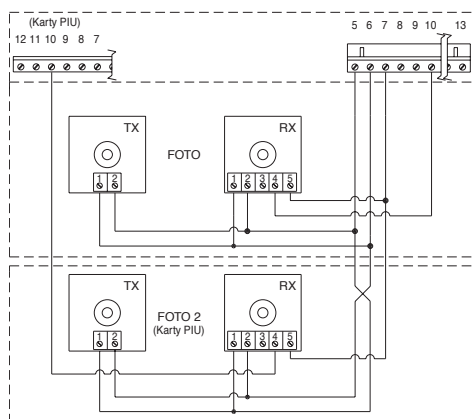
Należy, oprócz tego, uaktywnić synchronizację poprzez przerwanie na nadajnikach, odpowiednich mostków. Jest to jedyny sposób do zagwarantowania aby dwie pary fotokomórek nie interweniowały między sobą. Zapoznać się w instrukcjach fotokomórek z funkcjonowaniem "zsynchronizowanym".

W przypadku gdy jedno wejście poddane funkcji Fototestu nie będzie używane (na przykład "Foto 2") i gdy jednak chcemy pozostawić Fototest aktywny, należy wykonać mostek z wejściem nie używanym tak jak wskazano na **fig.4c**.



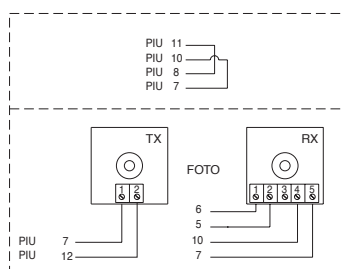
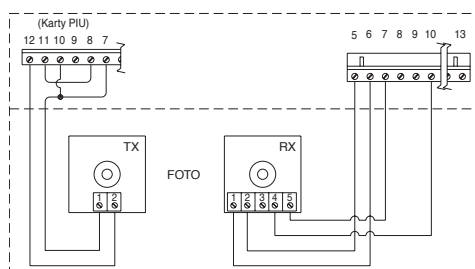
4a

"Foto" i "Foto2" z "Fototest"



4b

"Foto" i "Foto2" bez "Fototest"



4c

"Foto" z "Fototest"

2.2.4) Kontrola połączeń

⚠ Następne czynności będą wykonywane na obwodach pod napięciem. Większość obwodów jest pod niskim napięciem więc nie są niebezpieczne, niektóre jednak części poddane są napięciu sieciowemu, dlatego też są **BARDZO NIEBEZPIECZNE!** Poniższe czynności wykonywać bardzo ostrożnie i **NIGDY SAMODZIELNIE!**

- Podłączyć zasilanie do centrali i sprawdzić czy pomiędzy zaciskami 5-6 napięcie wynosi 24 Vpp.
- Sprawdzić, czy po przerywanym i szybkim świeceniu, dioda OK zacznie świecić z regularnymi przerwami.
- Sprawdzić czy wszystkie diody wejść z kontaktami typu NC (Zwykle Zamknięte) świecą się (wszystkie zabezpieczenia uaktywnione) i czy odpowiednie diody wejść typu NA (Zwykle Otwarte) się nie świecą (bez jakiegokolwiek rozkazu), gdy tak nie jest należy sprawdzić połączenia i funkcjonowanie poszczególnych urządzeń. Wejście ALT interweniuje wyłączając FCA jak i FCC
- Sprawdzić połączenie wyłączników krańcowych; poruszyć dźwignią wyłącznika krańcowego i sprawdzić czy odpowiedni wyłącznik krańcowy zainterweniuje poprzez wyłączenie odpowiedniej diody na centrali.
- Odblokować skrzydło, ustawić na połowie biegu i zablokować. W ten sposób skrzydło będzie wolne do ruchu otwierania i zamykania.
- Teraz należy sprawdzić czy ruch zostanie wykonany we właściwym kierunku. Należy sprawdzić zgodność pomiędzy ruchem przewidzianym w centrali z tym wykonywanym przez

skrzydło. Kontrola ta jest podstawową kontrolą. Gdy kierunek jest błędny, w niektórych przypadkach (na przykład w systemie półautomatycznym) to automatyzm mógłby pozornie funkcjonować poprawnie. Cykl OTWIERA jest podobny do cyklu ZAMYKA, z podstawową różnicą, że urządzenia bezpieczeństwa są ignorowane w ruchu zamyka, który zwykle jest najniebezpieczniejszy, i zainterweniuje powodując zamykanie na przeszkodzie z efektami katastroficznymi!

- Aby sprawdzić czy kierunek obrotu jest właściwy wystarczy dać krótki impuls na wejście Skok po Skoku; pierwszy ruch, który zaraz po włączeniu wykonuje centrala to Otwiera, dlatego też wystarczy sprawdzić czy automatyzm rusza się w kierunku otwierania. Gdy ruch odbywa się w kierunku przeciwnym wówczas należy:
 - Wyłączyć zasilanie,
 - Obrócić o 180° łącze zasilania silnika i wyłącznika krańcowego. (Odp. "O" odp. "V" na Fig.1),
 - Po wykonaniu powyższych czynności ponownie sprawdzić czy kierunek obrotu jest właściwy.



Dioda "OK" umieszczona pośrodku karty ma za zadanie sygnalizować stan logiki wewnętrznej: regularne przerywane świecenie z przerwą 1sekundy, wskazuje, że mikroprocesor wewnętrzny jest uaktywniony i oczekuje na polecenia. Gdy jednak ten sam mikroprocesor rozpoznaje zmianę stanu wejścia (wejście impulsu jak i dip-switch funkcji), to świeci w sposób szybki przerywany, nawet wtedy gdy zmiana ta nie powoduje efektów natychmiastowych. Świecenie szybkie trwające 3 sekundy wskazuje, że centrala została odłączona od zasilania i wykonuje test części wewnętrznych. Świecenie przerywane w sposób nierówny, wskazuje, że test nie został zakończony pozytywnie i że istnieje wada.

3) Regulacje

Regulacje można wykonać poprzez trymery, którymi zmienia się następujące parametry:

Czas Pracy (TL):

Reguluje maksymalny czas trwania ruchu otwierania i zamykania.

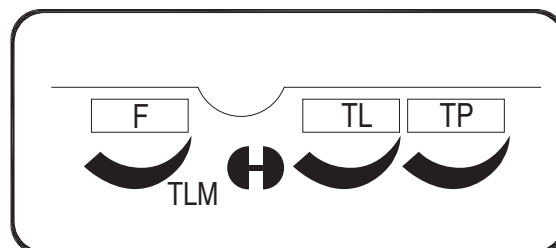
Aby uregulować czas pracy TL, należy wybrać system pracy "Półautomatyczny" ustawiając Nr 1 Dip-Switch na ON po czym uregulować TL na połowie biegu. Tymi regulacjami wykonać cykl otwierania i zamykania, ewentualnie wykonać regulację trymera TL w taki sposób, aby czas był wystarczający na wykonania całego ruchu i jeszcze pozostało około 2, 3 sekund czasu.

Gdy nawet po ustawieniu trymera TL w pozycji maksymalnej, nie otrzyma się dostatecznego czasu, należy przerwać mostek TLM, pomiędzy trymerem TL i TP, tak aby przedłużyć czas Pracy.

Czas Przerwy (TP):

W funkcjonowaniu "automatycznym" reguluje się czas pomiędzy zakończeniem ruchu otwierania i rozpoczęciem ruchu zamykania.

Aby uregulować Czas Przerwy TP, wybrać sposób funkcjonowania "Automatyczny" przedstawiając Dip-Switch Nr 2 na ON, następnie wyregulować czas przerwy trymerem TP według życzenia. Aby wykonać kontrolę należy wykonać ruch otwierania, po czym zmierzyć czas przed rozpoczęciem ruchu zamykania.



Siła (F):

Trymer F, obecny na centrali sterowniczej służy do regulacji wartości maksymalnej Siły:

Regulację trymera SIŁY (F) wykonywać ostrożnie, ponieważ ta regulacja może wpłynąć na stopień bezpieczeństwa automatyzacji. Regulację należy wykonywać stopniowo mierząc zastosowaną siłę skrzydła i dostosowując ją do wymagań normatywnych.

W centrali RO1010 i OT21 SIŁA jest regulowana selektorem wielopozycyjnym, na pojemniku transformatora zasilania centrali.

4) Próby ostateczne

Po zakończeniu kontroli i regulacji można przejść do prób ostatecznych urządzenia.

⚠ Próby ostateczne automatyzacji, muszą być wykonane przez doświadczony i wykwalifikowany personel, ze względu, że próby wykonywane będą w obecności niebezpieczeństwa.

Próby są fazą najważniejszą w realizacji automatyzacji. Każdy pojedynczy element, na przykład silnik, zatrzymanie w alarmie, fotokomórki, itp. Mogą wymagać specyficznej fazy kontroli i w tym też należy kierować się procedurami odpowiednich instrukcji obsługi.

Próby ostateczne centrali należy wykonać według poniższej kolejności:

1. Selekcja funkcji:
 - Ustawić Dip Switch N°1 na ON (Funkcjonowanie półautomatyczne)
 - Gdy zostały wykonane połączenia przedstawione na **fig.4a** do użytkowania funkcji Fototestu (gdy występuje karta PIU) ustawić Dip Switch N°10 na ON (Funkcja Fototest).
 - Ustawić wszystkie Dip Switch na OFF.
2. Przycisnąć przycisk Otwiera i sprawdzić czy:
 - Zaświeci się lampa sygnalizacyjna
 - Zacznie się ruch otwierania
 - Ruch zatrzyma się po osiągnięciu pozycji wyłącznika krańcowego otwierania FCA.
3. Przycisnąć przycisk Zamyka i sprawdzić czy:
 - Zaświeci się lampa sygnalizacyjna
 - Zacznie się ruch zamykania
 - Ruch zatrzyma się po osiągnięciu pozycji wyłącznika krańcowego zamykania FCC.
4. Rozpocząć ruch otwierania i sprawdzić czy podczas ruchu interwencja urządzenia:
 - Podłączone do wejścia Alt, powoduje zatrzymanie z krótką zmianą kierunku ruchu
 - Podłączone do wejścia Foto nie powoduje żadnego efektu
 - Podłączone do wejścia Foto2, powoduje zatrzymanie i inwersję ruchu (gdy występuje karta PIU).
5. Rozpocząć ruch zamykania i sprawdzić czy podczas ruchu zainterweniuje urządzenie:
 - Podłączone do wejścia Alt, powoduje zatrzymanie z krótką zmianą kierunku ruchu
 - Podłączone do wejścia Foto nie powoduje żadnego efektu
 - Podłączone do wejścia Foto2, powoduje zatrzymanie i inwersję ruchu (gdy występuje karta PIU)
6. Na połączonych wejściach sprawdzić czy uaktywnienie wejścia powoduje skok w sekwencji:
 - Wejście Skok po skoku: Sekwencja = Otwiera - Stop - Zamyka - Stop
 - Wejście Otwiera: Sekwencja = Otwiera - Stop - Otwiera - Stop
 - Wejście Zamyka: Sekwencja = Zamyka - Stop - Zamyka - Stop
 - Wejście Otwiera Częściowo: Sekwencja = Otwiera Częściowo - Stop - Zamyka - Stop (gdy jest karta PIU).
7. Gdy używa się funkcji fototestu sprawdzić funkcjonowanie testu (gdy jest karta PIU):
 - Przerwać fotokomórkę Foto, rozpocząć więc nowy ruch i sprawdzić czy zostanie wykonany test
 - Przerwać fotokomórkę Foto2, rozpocząć więc nowy ruch i sprawdzić czy zostanie wykonany test
 - Stworzyć spięcie w kontakcie fotokomórki Foto, rozpocząć więc nowy ruch i sprawdzić czy zostanie wykonany test
 - Stworzyć spięcie w kontakcie fotokomórki Foto2, rozpocząć więc nowy ruch i sprawdzić czy zostanie wykonany test
8. Wykonać próby odczytu Siły Uderzenia według tego jak zostało przewidziane w EN 12445.

Gdy po zakończeniu prób odbiorczych zostaną uaktywnione funkcje, które mogą ograniczyć bezpieczeństwo urządzenia, należy wykonać specyficzne próby dla takich funkcji.

5) Sposoby funkcjonowania

W funkcjonowaniu w sposobie ręcznym, wejście OTWIERA pozwala na ruch w otwieraniu, wejście ZAMYKA pozwala na ruch w zamykaniu. SKOK PO SKOKU pozwala na ruch alternatywny w otwieraniu i zamykaniu.

Zaraz po zwolnieniu zarządzenia w wejściu ruch zatrzymuje się. W otwieraniu ruch zatrzymuje się kiedy interweniują wyłączniki krańcowe lub kiedy brakuje pozwolenia z Foto. W otwieraniu jak i w zamykaniu interwencja na Alt powoduje natychmiastowe zatrzymanie ruchu. Po zatrzymaniu się ruchu, należy zwolnić zarządzenie w wejściu przed wydaniem nowego zarządzenia rozpoczęcia nowego ruchu.

W funkcjonowaniu w jednym ze sposobów automatycznych (półautomatyczny, automatyczny lub zawsze Zamyka) jeden impuls zarządzenia wejścia Otwiera powoduje ruch otwierania. Impuls Skok Po Skoku powoduje alternatywnie otwieranie lub zamykanie. Drugi impuls na Skok Po Skoku lub inny impuls na tym samym wejściu, które rozpoczynało ruch powoduje Stop.

W otwieraniu jak i w zamykaniu interwencja na Alt powoduje

natychmiastowe zatrzymanie ruchu..

Gdy w jednym wejściu zarządzenia zamiast impulsu zostanie utrzymany sygnał stały to powstaje stan "przesilenia", w którym inne wejścia zarządzenia pozostaną wyłączone (**jest to użyteczne do podłączenia licznika lub selektora Noc - Dzień**).

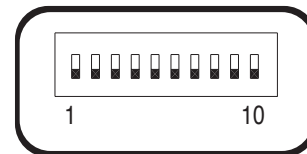
W przypadku wyboru sposobu funkcjonowania automatycznego, po ruchu otwierania zostanie wykonana przerwa po której będzie wykonany ruch zamykania. Gdy podczas przerwy zainterweniuje Foto, to licznik czasu zostanie ustawiony na nowy czas przerwy. Gdy jednak podczas przerwy zainterweniuje Alt to faza zamykania zostanie skasowana i przechodzi się do stanu Stop.

W otwieraniu interwencja Foto nie powoduje żadnego efektu, ale Foto 2 (na karcie PIU) powoduje inwersję ruchu. Podczas ruchu zamykania interwencja Foto powoduje inwersję ruchu, przerwę i ponowne zamykanie.

6) Funkcje z możliwością programowania

W centrali znajduje się seria mikroprzełączników, które służą do uaktywnienia różnych funkcji, w celu dostosowania urządzenia do wymagań użytkownika i zwiększenia bezpieczeństwa w różnych warunkach użytkowania. Funkcje uaktywnia się ustawiając odpowiednich Dip-Switch na pozycji ON, podczas gdy odpowiedni Dip-Switch jest ustawiony na "Off".

▲ Niektóre z tych funkcji związane są tylko z aspektami bezpieczeństwa. Należy dokładnie określić działanie każdej funkcji i sprawdzić, która z funkcji da jak największy poziom bezpieczeństwa.



Dip-Switch FUNKCJI służy do wyboru poszczególnych sposobów funkcjonowania i wprowadzenia żądanych funkcji według poniższej tabeli.

Switch 1-2:	Off-Off	= Ruch "Ręczny" z obecnością operatora
	On -Off	= Ruch "Półautomatyczny"
	Off-On	= Ruch "Automatyczny" z automatycznym zamykaniem
	On -On	= Ruch "Automatyczny + Zamyka zawsze"
Switch 3:	On	= Funkcjonowanie w zespołach mieszkalnych < nie w sposobie ręcznym >
Switch 4:	On	= Wcześniejsze zaświecenie się lampy sygnalizacyjnej
Switch 5:	On	= Zamyka po 5Ó po Foto < gdy w automatycznym > lub Zamyka po Foto < gdy w półautomatycznym >
Switch 6:	On	= Zabezpieczenie "Foto" nawet w otwieraniu
Switch 7:	On	= Start stopniowy
Switch 8:	On	= Zwolnienie
Switch 9:	On	= Hamulec
Switch 10:	bez karty PIU	(na Robo) On = światelko ostrz. C.A. z proporcjonalnym świeceniem
		(na Otto) On = czas światelka grzecz. = 4 minuty
	z kartą PIU	On = Funkcja Fototest

UWAGA: Niektóre funkcje możliwe są w określonych warunkach, oznaczone one będą w sposób następujący: "<...>".

6.1) Opis funkcji

Przedstawiamy krótki opis funkcji, które można dodać ustawiając Dip-Switch na ON:

Switch 1-2: Off-Off	= Ruch "Ręczny" (obecny operator)
On-Off	= Ruch "Półautomatyczny"
Off-On	= Ruch "Automatyczny" (zamykanie automatyczne)
On-On	= Ruch "Automatyczny+ Zamyka Zawsze"

W funkcjonowaniu "Ręcznym" ruch wykonywany jest tylko przy obecności zarządzenia (przycisk przyciśnięty). W "Półautomatycznym" wystarczy jeden impuls zarządzający i zostanie wykonany cały ruch, aż do zakończenia Czasu Pracy lub po osiągnięciu wyłączników krańcowych. W funkcjonowaniu "Automatycznym" po otwieraniu wykonana zostanie przerwa i automatyczna faza zamykania. Funkcja "Zamyka Zawsze" interweniuje przy braku zasilania; gdy brama będzie otwarta to automatycznie rozpocznie się faza ruchu zamykania poprzedzony 5 - sekundowym przerywanym świeceniem lampy.

Switch 3: On = Funkcjonowanie w Zespołach Mieszkalnych (nie dostępne w systemie ręcznym)
Przy funkcjonowaniu w Zespołach Mieszkalnych po włączeniu ruchu otwierania, ruch nie może być przerwany innymi impulsami zarządzającymi na SKOK PO SKOKU lub OTWIERA, aż do momentu zakończenia ruchu.
W ruchu zamykania nowy impuls zarządzający powoduje zatrzymanie i inwersję ruchu.

Switch 4: On = Wcześniejsze zaświecenie się lampy sygnalizacyjnej.
Po impulsie zarządzającym najpierw uaktywnia się lampę i następnie po 5 s. (2 s. gdy jest to w systemie ręcznym) rozpoczyna się ruch.

Switch 5: On = Zamyka po 5" po Foto < gdy w automatycznym > lub Zamyka po Foto < gdy w półautomatycznym >
Funkcja ta, gdy urządzenie jest działaniu w Automatycznym, służy do utrzymania bramy otwartej tylko na czas przejścia. Po zakończeniu interwencji FOTO ruch zatrzymuje się. Po 5 s. startuje ruch zamykania. W działaniu półautomatycznym interwencja FOTO w ruchu zamykania uaktywnia automatyczne zamykanie po uregulowanym czasie przerwy.

Switch 6: On = Zabezpieczenie (Foto) nawet w otwieraniu
Zwykle, zabezpieczenie "Foto" jest uaktywnione tylko w ruchu zamykania. Gdy Switch 6 zostanie ustawiony na "On" przerwa urządzenia zabezpieczającego powoduje przerwę ruchu nawet w otwieraniu.
Gdy jest to w systemie Półautomatycznym lub Automatycznym to uzyska się rozpoczęcie ruchu w otwieraniu zaraz po zwolnieniu zabezpieczenia.

Switch 7: On = Start stopniowy
Wykonać rozpoczęcie ruchu w sposób stopniowy unikając niepożądanych trzęsień automatyzacji.

Switch 8: On = Zwolnienie
Zwolnienie polega na zmniejszeniu prędkości do 30% prędkości nominalnej tak aby uniknąć wstrząsów na końcu ruchu.



Funkcja zwolnienia, opr cz zmniejszenia prędkości automatyzacji zmniejsza o 70% moment silnika.

W automatyzacjach, gdzie wymagany jest moment wysoki, redukcja ta może spowodować natychmiastowe zatrzymanie silnika.

Wersja ROBO - THOR:

Po zakończeniu ruchu otwierania lub zamykania spowodowanego zakłóceniem Czasu Pracy wykonana jest faza zwolnienia, która trwa tyle co czas pracy.

Gdy ruch kończy się po działaniu wyłącznika krańcowego to faza zwolnienie nie będzie wykonana, należy więc wyregulować Czas Pracy dopóki zacznie się zwolnienie 30-50 cm przed działaniem wyłącznika krańcowego.

Wersja OTTO:

Po zakończeniu ruchu zamykania faza zwolnienia, gdy jest spowodowaną interwencją wyłączników krańcowych, trwa 3 sekundy, gdy jest spowodowana zakończeniem Czasu Pracy trwa tyle co Czas Pracy (mając na uwadze dobre funkcjonowanie zwolnienia zalecane jest zastosowanie wyłączników krańcowych).

W ruchu otwierania nie zostanie wykonane zwolnienie stopniowe ale zatrzymanie stopniowe.

⚠ W przypadku zastosowania funkcji zwolnienia na instalacjach czułych i gdy trwa ona więcej niż 3 sekundy należy założyć na zaciskach zasilania z sieci i w pobliżu

centrali filtr sieciowy na około 6A z przytłumieniem do 30 dB aby nie przekroczyć granicy emisji elektromagnetycznej wskazanej w normie EN 50081-1.

Switch 9: On = Hamulec

Po zakończeniu ruchu zostanie wykonana procedura hamowania silnika. Na początku delikatna później decydująca tak aby zatrzymać bramę szybko ale bez wstrząsów.

Switch 10: On

ROBO - THOR

Bez założonej karty PIU:

- Światelko ostrzegawcze C.A z proporcjonalnym świeceniem

Z założoną kartą PIU:

- Fototest

OTTO

Bez założonej karty PIU:

- Czas Światelka Grzecznościowego = 4 minuty

Z założoną kartą PIU:

- Fototest

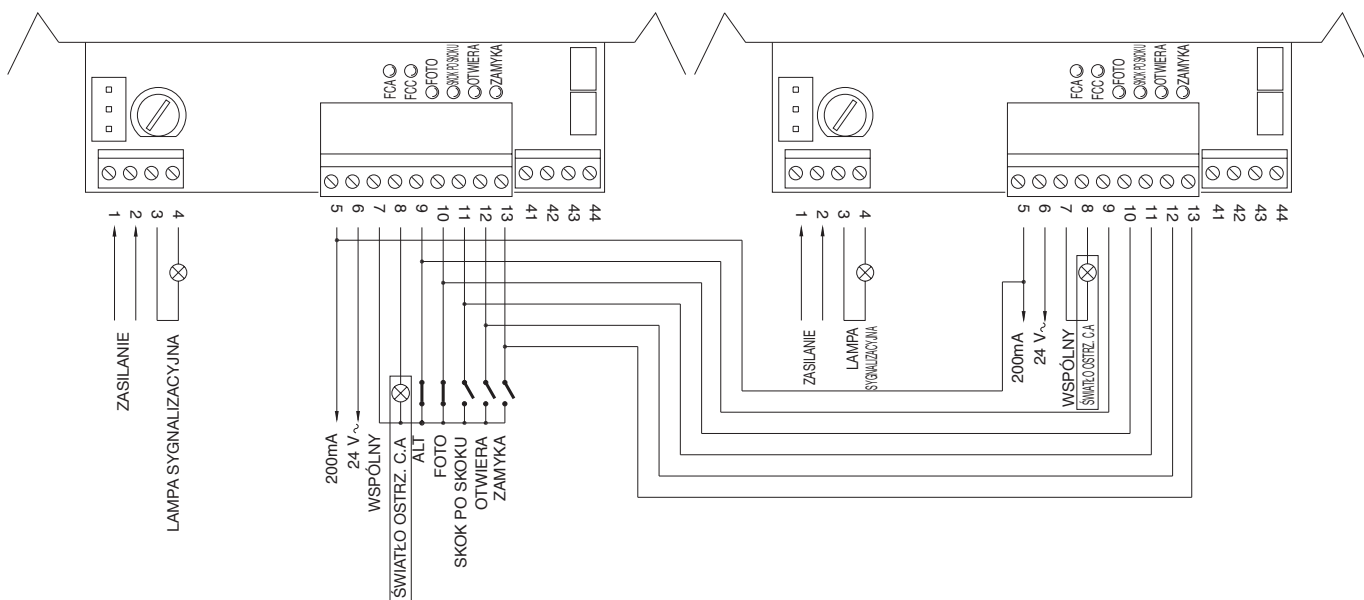
Funkcja ta służy do wykonania, na początku każdego ruchu, kontroli funkcjonowania fotokomórki. Patrz rozdział Fototest.

7) Użytkowanie dwóch central przeciwstawnych.

Aby wykonać automatyzację z 2 skrzydeł, które pracują w sposób przeciwstawny należy:

- Użyć dwóch silników z centralami połączonymi, tak jak wskazano na **figurze 5**.
- Podłączyć Lampę sygnalizacyjną i Lampę ostrzegawczą bramy niezależnie do jednej z dwóch centrali.
- Wejścia muszą być ustawione równolegle względem siebie.
- "Wspólny" wejście może być podłączony do jednej z 2 centrali.

- Podłączyć razem 0Volt (Zacisk 5) dwóch centrali.
- Nie używać funkcji FOTOTEST
- Należy włączyć funkcję "Zespołu Mieszkaniowego" (Dip-Switch 3), która służy do ustawienia ponownie synchronizacji skrzydeł kiedy 2 centrale stracą synchronizację.



8) Akcesoria dodatkowe

Karta PIU

Centrala zawiera już wszystkie funkcje, które będą używane w normalnym instalowaniu. Aby zaspokoić wymagania stawiane podczas wykorzystywania specjalnych urządzeń została stworzona Karta PIU, która służy do osiągnięcia nowych funkcji, takich jak: sygnalizacji semaforowych, światelka grzeźnościowego, elektrozamknięcia, Foto 2, częściowego Otwierania i Fototestu.

Czerwony = Światło czerwone semafora
Jest zwykle wyłączone, włącza się podczas ruchu bramy.

Zielone = Światło zielone semafora
Zwykle jest włączone, wyłącza się podczas ruchu bramy.

Elektrozamknięcie = Wyjście zarządzenia elektrozamknięcia.
Elektrozamknięcie jest uaktywnione po 1,5 sekundach po rozpoczęciu ruchu otwierania.

Światelko grzeźnościowe /

Fototest = Wyjście, które jest używane do zarządzenia światelkiem grzeźnościowym, włącza Światelko Grzeźnościowe przy każdym rozpoczęciu ruchu, które będzie się świeciło chwilę dłużej po zakończeniu ruchu i nawet na czas zaprogramowany trymerem T.Cor. obecnym na karcie PIU.
Gdy uaktywnia się funkcję fototestu (DIP 10 = ON) to wyjście służy do wykonania testu fotokomórek na początku ruchu.

Karta RADIO

W centrali przygotowane jest łącze na włożenie karty radiowej, wyprodukowanej przez Nice. Karta ta służy do interwencji na wejściu SKOK PO SKOKU i zarządzania centralą na odległość poprzez nadajnik.

Otwiera Częściowo = Wejście do otwierania Częściowego (Otwiera Częściowo, Stop, Zamyka, Stop). Wykonuje tę samą funkcję jak Skok po skoku na karcie głównej, z tą różnicą, że ruch Otwiera trwa przez czas ustawiony trymerem T.A.P.P. na karcie PIU.

Foto 2 = Wejście 2° urządzenia bezpieczeństwa. To urządzenie bezpieczeństwa interweniuje tylko w jednym ruchu otwierania powodując zatrzymanie, z ewentualnym ponownym zamknięciem gdy centrala jest zaprogramowana w sposobie funkcjonowania Półautomatycznego lub Automatycznego.

24 V = Wyjście 24 V stosowane do zasilania funkcji takich jak fotokomórki lub inne. Zacisk 11 jest także wspólnym dla wszystkich wejść.

9) Czynności konserwacyjne

Centrala, jako część elektroniczna, nie wymaga czynności specjalnych konserwacyjnych. Należy sprawdzić co jakiś czas (co najmniej co 6 miesięcy) działanie i stan regulacji urządzenia do regulacji Siły silnika, ewentualnie wyregulować trymerem. Wykonać całą fazę prób ostatecznych aby sprawdzić działanie

wyłączników krańcowych, urządzeń bezpieczeństwa (fotokomórki, brzegi pneumatyczne, itp.) jak i działanie lampy sygnalizacyjnej.

10) Zbyt

Produkt ten składa się z wielu surowców, niektóre z nich mogą być powtórnie przerobione.
Należy zasięgnąć informacji odnośnie sposobów przerobu i zbytu produktów według aktualnie obowiązujących norm miejscowych.

▲ Niektóre elementy mogą zawierać substancje trujące, nie wolno ich porzucać w środowisku

11) Co robić gdy...

Jest to instrukcja, która ma pomóc instalatorowi w rozwiązaniu niektórych najczęściej spotykanych problemów wynikających w fazie instalowania:

Nie świeci się żadna z Diod

- Sprawdzić czy centrala jest zasilana (sprawdzić czy napięcie na zaciskach 1-2 i czy na zaciskach 5-6 napięcie jest równe około 24Vpp.)
- Sprawdzić czy 2 bezpieczniki topikowe zasilania są dobre. Gdy teraz żadna z diod nie zaświeciła się to możliwe, że istnieje poważna wada i należy wymienić centralę.

Diod OK świeci się regularnie ale Diody Wejść nie wskazują stanu wejść.

- Sprawdzić uważnie połączenia na zaciskach wejść 7÷13

Ruch rozpoczyna się

- Sprawdzić czy diody zabezpieczeń: Alt (FCA + FCC), FOTO, i ewentualnie Foto2 świecą się i czy Dioda zarządzająca, która zostanie uaktywniona (Skok Po Skoku, Otwiera lub Zamyka) zaświeci się na czas trwania zarządzenia.

Podczas ruchu brama wykonuje inwersję

Powodem inwersji może być:

- Interwencja fotokomórek (Foto2 podczas otwierania lub Foto podczas zamykania); w tym przypadku sprawdzić połączenia fotokomórek i ewentualnie sprawdzić Diody sygnalizacji wejść.

12) Dane techniczne

Zasilanie sieci	: 230 Vpp 50/60 Hz
Wersja/ V1	: 120 Vpp 50/60 Hz
Prąd Max funkcji 24 V	: 200mA
Wyjście lampy sygnalizacyjnej	: Do lamp z napięciem sieciowym, moc max 40 W
Wyjście lampy ostrzegawczej bramy otwartej "SCA"	: Do lamp ostrz. 24Vpp, moc max 2 W
Temperatura pracy	: -20÷70 A°C
Czas Pracy na ROBO/THOR	: Z możliwością regulacji od 2.5 do >60 s lub od <50 do >120 s z TLM
Czas Pracy na OTTO	: Z możliwością regulacji od 2.5 do >20s lub od <20 do >40 s z TLM
Czas Przerwy	: Z możliwością regulacji od 5 do >160 s.

Na Karcie PIU

Czas otw. Częściowego ROBO/THOR	: Z możliwością regulacji od 1 do > 30 s.
Czas otw. Częściowego OTTO	: Z możliwością regulacji od 1 do > 14 s.
Czas światła grzecznościowego	: Z możliwością regulacji od 1 do > 180 s.

besturingseenheid

reductiemotors
robo, thor, otto

Inhoudsopgave:

	pag.		pag.		
1	Beschrijving van het product	17	6	Programmeerbare functies	23
2	Installatie	18	6.1	Beschrijving van de functies	24
2.1	Voorbeeld van een installatie	18	7	Toepassing van 2 besturingseenheden op in tegenovergestelde richting werkende vleugels	25
2.2	Elektrische aansluitingen	18	8	Apart leverbare accessoires	26
2.2.1	Elektrisch schema	19	9	Onderhoud	26
2.2.2	Beschrijving van de aansluitingen	19	10	Afvalverwerking	26
2.2.3	Fototest	20	11	Wat te doen als...	27
2.2.4	Controle van de aansluitingen	21	12	Technische gegevens	27
3	Afstellingen	21			
4	Eindtest	22			
5	Manier van functioneren	23			

Aanbevelingen:

⚠ Deze handleiding is alleen bestemd voor gekwalificeerd technisch personeel dat met de installatie belast is. Geen enkele informatie uit deze handleiding kan als van belang voor de eindgebruiker beschouwd te worden!

Deze handleiding heeft alleen betrekking op deze besturingseenheid en mag niet voor andere producten gebruikt worden.

Het verdient aanbeveling alle aanwijzingen tenminste éénmaal nauwkeurig door te lezen alvorens met de installering te beginnen.

1) Beschrijving van het product:

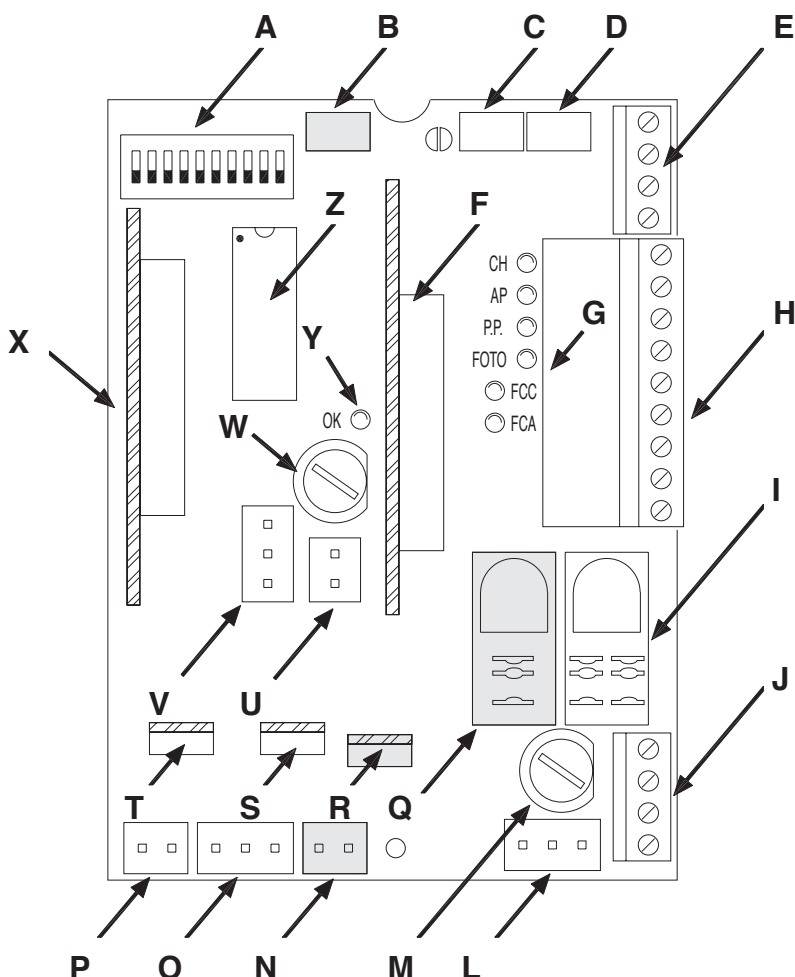
Met deze besturingseenheid voor het automatiseren van automatische poorten en deuren kunnen de éénfasewisselstroomreductiemotoren ROBO, THOR, OTTO aangestuurd worden.

Al naar gelang het type aan te sturen reductiemotor verschillen de besturingseenheden van elkaar, zoals bijvoorbeeld: "Afstelling Kracht", "Controlelampje Poort Open" en "Gebruikerslicht".

Er zijn bovendien een reeks functies die met behulp van dipschakelaars (microschakelaars) geselecteerd kunnen worden en afstellingen die met trimmers uitgevoerd kunnen worden.

De status van de ingangen wordt door speciale ledlampjes bij de ingangen aangegeven; een ander ledlampje bij de microprocessor geeft aan dat de interne logica correct functioneert.

Om de verschillende delen gemakkelijker te kunnen herkennen zijn op **afb.1** de belangrijkste onderdelen aangegeven.



- A** Dipschakelaar voor het selecteren van de functies
- B** Trimmer voor het afstellen van " Kracht "
- C** Trimmer voor het afstellen van Werkingsduur (TL)
- D** Trimmer voor het afstellen van Pauzeduur (TP)
- E** Klemmenbord voor Antenne en 2de kanaal
- F** Insteekgleuf RADIO-kaart
- G** Ledlampjes voor het aangeven van status ingangen
- H** Klemmenbord Ingangen / Uitgangen voor instructie
- I** Relais "Gemeenschappelijk"
- J** Klemmenbord stroomvoorziening / Knipperlicht
- L** Primaire connector transformator
- M** Zekering lijn (5A)
- N** Connector uitgang "Gebruikerslicht" (alleen op OTTO)
- O** Uitgang stroomvoorziening motor
- P** Connectorinsteekgleuf condensator
- Q** Relais "Start"
- R** Triac "Gebruikerslicht" (alleen op OTTO)
- S** Triac "Sluit"
- T** Triac "Open"
- U** Secundaire connector transformator
- V** Ingang eindschakelaar FCA / FCC
- W** Zekering laagspanning (500mA)
- X** Insteekgleuf kaart PIU
- Y** Ledlampjes OK
- Z** Microprocessor

1

	Code Product*	Code Besturingseenheid*	Extra functie
ROBO	RO1000	ROA3	Trimmer "Afstelling Kracht"
	RO1020		
	RO1010	ROA4	Relais "Start"
THOR	TH1551	THA5	Trimmer "Afstelling Kracht"
	TH2251	THA6	Relais "Start"
OTTO	OT21	OTA1	Uitgang "Gebruikerslicht"

* = voeg V1 aan de code toe voor uitvoering op 120 V 50/60 Hz

2) Installatie:

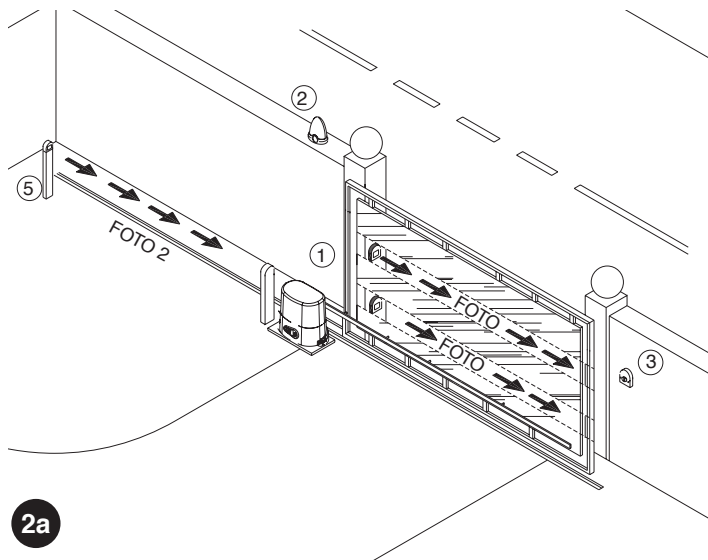
⚠ Wij brengen u hierbij in herinnering dat installaties met automatische poorten en deuren uitsluitend door gekwalificeerd technisch personeel en met inachtneming van de

wettelijke voorschriften geïnstalleerd mogen worden. Volg nauwgezet de aanbevelingen van het boekje: "Aanbevelingen voor de installateur".

2.1) Voorbeeld van een installatie

Om enkele termen en aspecten van een automatiseringsinstallatie voor deuren of poorten te verduidelijken geven wij u hier een typisch voorbeeld.

ROBO en THOR



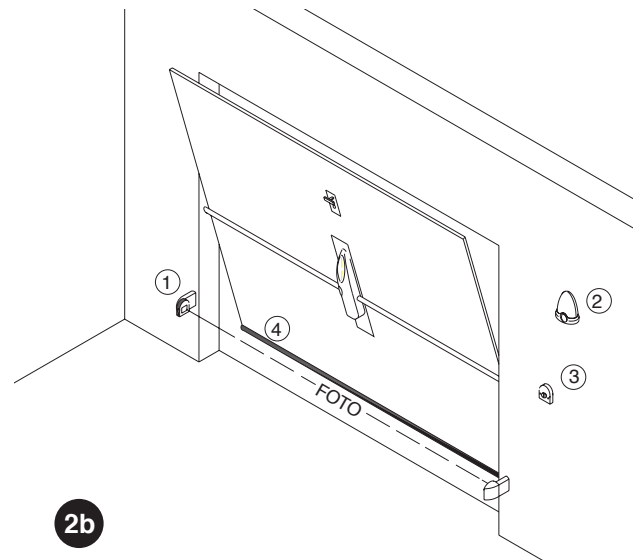
2a

- 1) Stel fotocellen "Foto"
- 2) Knipperlicht
- 3) Sleutelschakelaar
- 4) Pneumatische lijst
- 5) Stel fotocellen "Foto 2"

Met name herinneren wij u aan het volgende:

- Alle door Nice geproduceerde fotocellen beschikken over een synchronisatiesysteem waarmee het mogelijk is het probleem van interferentie tussen twee stellen fotocellen op te lossen (zie voor verdere bijzonderheden de aanwijzingen voor de fotocellen).
- Het stel fotocellen "Foto" heeft bij het openen geen gevolgen terwijl het bij het sluiten ervoor zorgt dat de poort omkeert.
- Het stel fotocellen "Foto2" heeft bij het sluiten geen gevolgen terwijl het bij het openen ervoor zorgt dat de poort terugloopt.

OTTO



2b

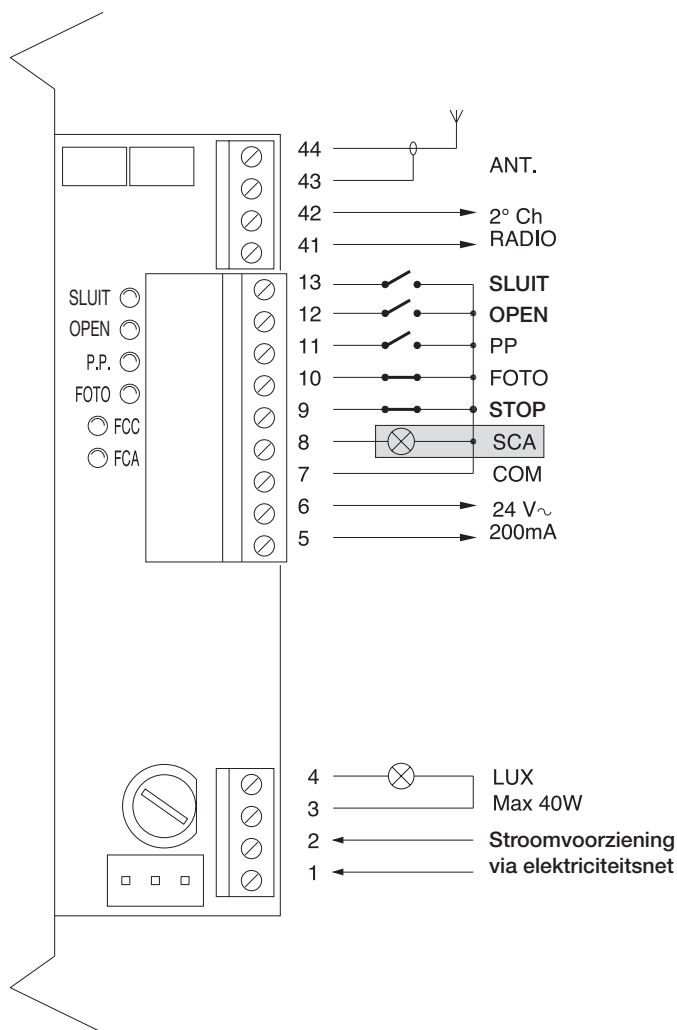
2.2) Elektrische aansluitingen

⚠ Om de veiligheid van de installateur te waarborgen en schade aan de componenten te voorkomen is het bij het maken van de aansluitingen of het inpluggen van de verschillende kaarten absoluut noodzakelijk de besturings-eenheid uit te schakelen.

- Sluit de besturingseenheid met een kabel van 3 x 1,5 mm² op het net aan; als de afstand tussen de besturingseenheid en de aansluiting op de installatie meer dan 30 m bedraagt, dient u in de buurt van de besturingseenheid voor aarding te zorgen.
- Bij aansluitingen in het op zeer lage veiligheidsspanning werkende deel dient u kabeltjes met een minimumdoorsnede van 0,25 mm² te gebruiken.
- Gebruik afgeschermd kabeltjes als de lengte meer dan 30 m bedraagt en aard het omhulsel alleen aan de zijde van de besturingseenheid.
- Maak geen aansluitingen op kabels in boxen onder de grond, ook al zijn die helemaal waterdicht.

- De ingangen van de contacten van het type Normaal gesloten (NC), indien niet gebruikt, dienen via een brug met "gemeenschappelijk 24V" verbonden te worden met uitzondering van de ingangen van de fotocellen, indien de functie "Fototest" geactiveerd wordt. U gelieve voor verdere informatie de paragraaf "Fototest" te lezen.
- Als er voor dezelfde ingang meerdere contacten Normaal gesloten (NC) zijn, dan worden die onderling serieel geschakeld.
- De ingangen van de contacten van het type Normaal open (NO), dienen, indien niet gebruikt, vrij gehouden te worden.
- Als er voor dezelfde ingang meerdere contacten Normaal open (NO) zijn, dan worden die onderling parallel geschakeld.
- De contacten moeten mechanische contacten zijn en geen enkel potentiaal hebben; aansluitingen in fasen zoals die welke "PNP", "NPN", "Open Collector" etc. gedefinieerd worden, zijn niet toegestaan.

2.2.1) Elektrisch schema



3

2.2.2) Beschrijving van de aansluitingen

Hier volgt een beknopte beschrijving van mogelijke aansluitingen van de besturingseenheid naar buiten.

Klemmetjes	Functie	Beschrijving
1-2	Stroomvoorziening	= Toevoerlijn van het elektriciteitsnet
3-4	Knipperlicht	= Uitgang voor aansluiting van het knipperlicht op de netspanning (Max. 40W)
5-6	24 Vac	= Stroomvoorziening neveninrichtingen 24Vac (Foto, Radio, etc.) Max 200mA
7	Gemeenschappelijk	= Gemeenschappelijk voor alle ingangen
8	Controlelampje P.O. (SCA)	= "Controlelampje Poort Open" 24Vac max. 2W (Niet aanwezig op de uitvoering OTTO)
9	Stop	= Ingang met functie voor het onderbreken van de manoeuvre waarbij de richting eventjes wordt omgekeerd
10	Foto	= Ingang voor veiligheidsinrichtingen (fotocellen, pneumatische lijsten)
11	Stap-voor-stap (PP)	= Ingang voor cyclische manoeuvre ("Open" - "Stop" - "Sluit" - "Stop")
12	Open	= Ingang voor openingsmanoeuvre
13	Sluit	= Ingang voor sluitmanoeuvre
41-42	2° Ch Radio	= Uitgang van een eventueel tweede kanaal van de radio-ontvanger
43-44	Antenne	= Ingang voor de antenne van de radio-ontvanger

2.2.3) Fototest

De "Fototest" verhoogt de betrouwbaarheid van de veiligheidsinrichtingen waardoor het mogelijk is "categorie 2" van de norm EN 954-1 (uitgave 12/1998) te bereiken voor wat betreft de combinatie besturingseenheid en veiligheidsfotocellen. Telkens wanneer er een manoeuvre van start gaat, worden alle veiligheidsinrichtingen gecontroleerd en alleen als de test een positief resultaat geeft, gaat de manoeuvre van start. Als de test daarentegen geen positief resultaat heeft (fotocel door de zon verblind, kortsluiting kabels etc.) wordt de storing gedetecteerd en de manoeuvre niet uitgevoerd.

Om de functie "Fototest" te verkrijgen zijn de volgende punten noodzakelijk:

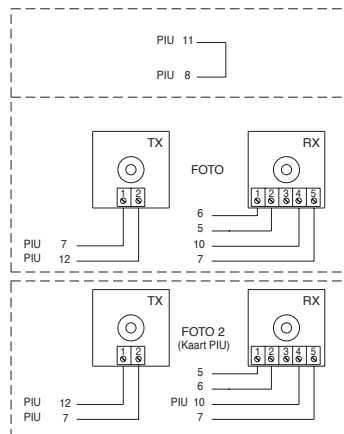
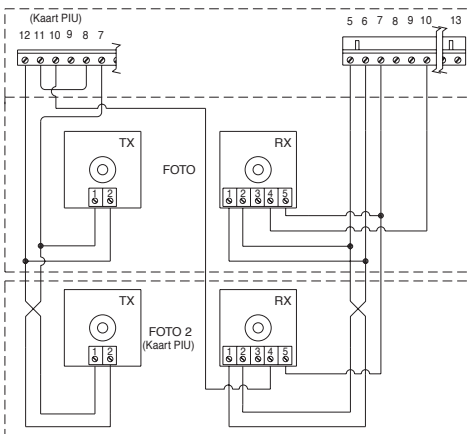
- Gebruik de supplementaire kaart PIU
 - Zet de dipschakelaar 10 naar ON
 - Sluit de veiligheidsinrichtingen aan zoals dat op **afb. 4a** te zien is waarbij de stroomvoorziening van de zenders van de fotocellen niet rechtstreeks via de uitgang van de neveninrichtingen plaats vindt, maar door deze stroomvoorziening via de klemmetjes 7 en 8 op de kaart PIU te onderbreken.
- De maximaal beschikbare stroom op de uitgang "Fototest" op de kaart PIU is 100mA (2 stel fotocellen Nice).
- Voorzie de ontvangers rechtstreeks via de uitgang neveninrichtingen van de besturingseenheid (klemmetjes 5-6) van stroom.



Als u later de functie Fototest niet meer wilt gebruiken, heeft u alleen maar dipschakelaar 10 naar beneden te halen en de configuratie van de aansluitingen te wijzigen zoals dat op **afb.4b** is aangegeven.

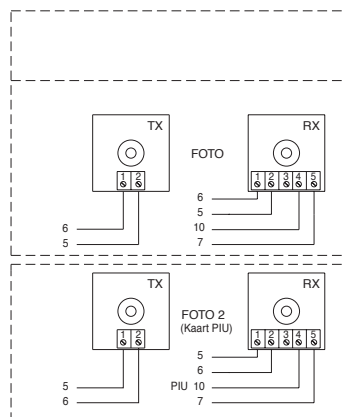
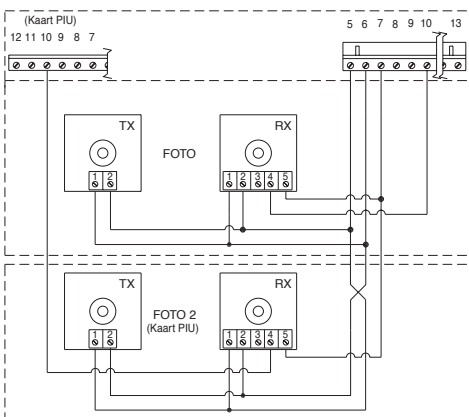
Het testen van de fotocellen vindt als volgt plaats: wanneer er een bedieningsopdracht voor een manoeuvre gegeven wordt, wordt er eerst nagegaan of alle ontvangers die met deze manoeuvre van doen hebben, hun ok geven; daarna wordt de stroomvoorziening naar de zenders onderbroken en wordt vervolgens gecontroleerd of alle ontvangers dit feit signaleren door hun ok in te trekken; tenslotte wordt de stroomvoorziening van de zenders weer ingeschakeld en wordt er opnieuw gecontroleerd of alle ontvangers hun ok geven. Alleen als deze serie controles een positief resultaat heeft, zal de manoeuvre van start gaan. Het is raadzaam ook het synchronisme te activeren door de bruggetjes op de zenders te doorbreken; dit is de enige methode om ervoor te zorgen dat er tussen de twee stellen fotocellen geen interferentie plaats vindt. Controleer in de handleiding van de fotocellen de aanwijzingen voor een gesynchroniseerde werking.

Indien een ingang die aan de "Fototest" onderworpen is, niet wordt gebruikt (Voorbeeld "Foto2") en u toch de functie fototest wilt, dient u een brug tussen de niet gebruikte ingang aan te brengen zoals dat op **afb.4c** te zien is.



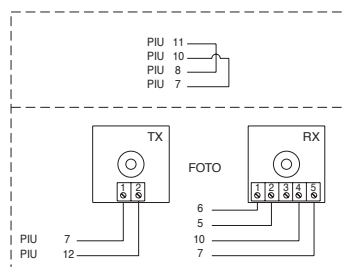
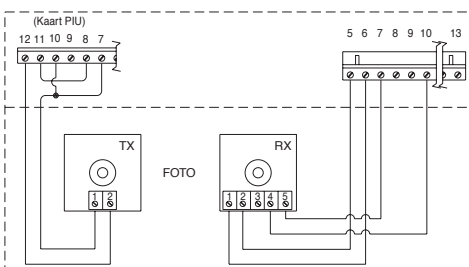
4a

"Foto" en "Foto2" met "Fototest"



4b

"Foto" en "Foto2" zonder "Fototest"



4c

"Foto" met "Fototest"

2.2.4) Controle van de aansluitingen

⚠ Bij het uitvoeren van onderstaande handelingen werkt u met onder spanning staande circuits. Op het merendeel van de circuits staat laagspanning en daar bestaat dus geen gevaar, maar op sommige delen staat de spanning van het elektriciteitsnet, die dus **UITERST GEVAARLIJK** zijn! Let heel goed op wat u doet en **WERK NOOIT ALLEEN!**

- Sluit de stroomtoevoer op de besturingseenheid aan en controleer onmiddellijk of er tussen de klemmetjes 5-6 een spanning van ongeveer 24 Vac. aanwezig is.
- Controleer dat het ledlampje "OK" na eventjes snel geknipperd te hebben, nu regelmatig knippert.
- Verifieer nu dat de ledlampjes van de ingangen van het type "NC" (alle veiligheidsinrichtingen actief) branden, terwijl de bij de ingangen van het type "NO" behorende ledlampjes (geen enkele bedieningsopdracht aanwezig) uit zijn. Als dit niet het geval is, dient u te controleren of de aansluitingen correct zijn uitgevoerd en de verschillende inrichtingen goed werken. De ingang "Stop" treedt in werking door zowel de eindschakelaar FCA als de eindschakelaar FCC uit te zetten.
- Verifieer of de eindschakelaars goed aangesloten zijn; haal de hendel van de eindschakelaar over en controleer of de desbetreffende eindschakelaar in werking treedt, waarbij het bijbehorende ledlampje op de besturingseenheid uit gaat
- Ontgrendel de vleugel en breng die ongeveer halverwege, vergrendel deze; op deze manier kan de vleugel zowel bij het openen als bij het sluiten vrij bewegen.
- Nu dient u te verifiëren of de manoeuvre in de juiste richting plaats vindt, d.w.z. te controleren of de door de besturingseenheid doorgegeven manoeuvre overeenkomt met de daadwerkelijk door de vleugels uitgevoerde manoeuvre. Deze controle is van fundamenteel belang; als de richting in bepaalde gevallen niet juist is (bijvoorbeeld in de semi-automatische modus), zou het erop kunnen lijken dat

het automatische regelmatig functioneert; de cyclus "open" is immers gelijk aan de cyclus "Sluit" met dat fundamentele verschil echter dat de veiligheidsinrichtingen genegeerd zullen worden bij de sluitmanoeuvre - die normaal gesproken de gevaarlijkste is - en bij opening in werking zullen treden, waardoor ze een hersluiting tegen het obstakel zullen veroorzaken met desastreuze gevolgen!

- Om te controleren of de draairichting correct is, heeft u alleen maar een korte impuls op de ingang PP te geven; de eerste manoeuvre die de besturingseenheid uitvoert nadat u haar onder spanning gezet heeft is altijd "Open", dus kunt u ermee volstaan te controleren of de automatisering een openingsmanoeuvre start. Indien de manoeuvre in verkeerde richting wordt uitgevoerd, dient u als volgt te werk te gaan:
 - ➡ Schakel de stroomvoorziening uit
 - ➡ Draai de stekker voor stroomvoorziening van de motor met 180° evenals die van de eindschakelaars. (Ref. "O" en ref. "V" op **afb.1**)
 - ➡ Na afloop hiervan is het raadzaam opnieuw te kijken of de draairichting in orde is; u begint hiervoor bij het laatste punt.



Het ledlampje "OK" op het midden van de kaart heeft tot taak de status van de interne logica aan te geven: wanneer het regelmatig knippert met tussenpozen van 1 seconde wil dit zeggen dat de interne microprocessor actief is en in afwachting is van een bedieningsopdracht. Wanneer de microprocessor een wijziging in de status van een ingang constateert (zowel een bedieningsingang als een eindschakelaar voor een functie), gaat het lampje tweemaal snel knipperen, ook als die wijziging geen onmiddellijk gevolg heeft. Snel knipperen gedurende 3 seconden wil zeggen dat de besturingseenheid zojuist onder spanning is gezet en een test op de interne onderdelen uitvoert; onregelmatig knipperen wil zeggen dat de uitslag van de test niet positief is en dat er dus een storing is opgetreden.

3) Afstellingen:

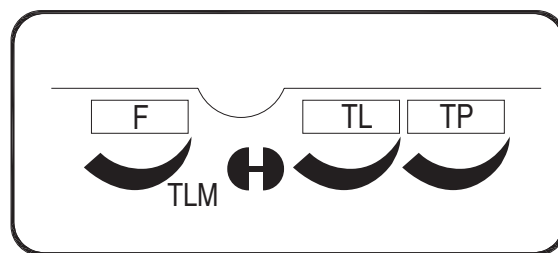
Afstellingen vinden plaats via trimmers die voor wijziging van onderstaande parameters zorgen:

Werkingsduur (TL):

Hiermee wordt de maximale tijdsduur van de openings- of sluitmanoeuvre afgesteld. Voor de afstelling van de TL, selecteert u de werkingsmodus "Semi-automatisch" door de dipschakelaar 1 op ON te zetten en vervolgens de trimmer TL halverwege te zetten. Voer bij deze afstellingen een openings- en sluitingscyclus uit en stel de trimmer TL eventueel zodanig bij, dat er voldoende tijd is om de gehele manoeuvre uit te voeren en er ook nog een zekere speling van 2 of 3 seconden overblijft. Indien er niet genoeg tijd is om de gehele manoeuvre uit te voeren, ook al hebt u de trimmer TL op het maximum gezet, dient u de brug TLM die zich op de print tussen de trimmers TL en TP bevindt, te verbreken om de Werkingsduur te verlengen teneinde een Langere Werkingsduur (TLM) te verkrijgen.

Pauseduur (TP):

Bij "automatische" werking wordt met deze functie de tijd tussen het einde van de openingsmanoeuvre en het begin van de sluitmanoeuvre afgesteld. Om de TP af te stellen selecteert u de werkingsmodus "Automatisch" door de dipschakelaar 2 op ON te zetten en vervolgens de trimmer TP naar wens af te stellen. Om dit te controleren dient u een openingsmanoeuvre uit te voeren en daarna de tijd te controleren die er tot de "Automatische" hersluiting verstrijkt.



Kracht (F):

Op de besturingseenheid kunt u de waarde van de maximale "Kracht" afstellen.

Speciale aandacht dient u aan de afstelling van de trimmer "Kracht" (F) te schenken; deze afstelling kan van invloed zijn op de graad van veiligheid van de automatisering. Voor het afstellen hiervan dient u proefondervindelijk te werk te gaan door meerdere malen achter elkaar de door de vleugel toegepaste kracht te meten en deze te vergelijken met wat de voorschriften gebieden.

Bij de besturingseenheden voor RO1010 en OT21 wordt de "Kracht" afgesteld via een keuzeschakelaar met meerdere standen op de behuizing van de voedingstransformator van de besturingseenheid.

4) Eindtest

Nadat u een en ander gecontroleerd en afgesteld hebt, kunt u tot de eindtest van de installatie overgaan.

▲ De eindtest van de automatisering moet door vakbekwaam en deskundig personeel uitgevoerd worden, dat ook bepalen moet welke tests in functie van de bestaande gevaren noodzakelijk zijn.

De eindtest is de belangrijkste fase bij de aanleg van de automatisering. Elk afzonderlijk onderdeel, bijvoorbeeld de reductiemotor, noodstop, fotocellen en andere veiligheidsinrichtingen kunnen een specifieke eindtestfase vragen; het is daarom raadzaam de procedures uit de desbetreffende handleidingen zorgvuldig uit te voeren.

Voor de eindtest van de besturingseenheid dient u onderstaande reeks handelingen uit te voeren:

1. Selectie functies:
 - Zet de dipschakelaar 1 op ON ("Semi-automatische" modus)
 - Als de aansluitingen van afb.4a tot stand gebracht zijn, dient u om de functie "Fototest" uit te laten voeren (als er een kaart PIU aanwezig is), de dipschakelaar 10 (Functie "Fototest") op ON te zetten.
 - Zet alle andere dipschakelaars op OFF
2. Druk op de instructietoets "Open" of "Stap-voor-Stap" en controleer of:
 - het knipperlicht gaat knipperen
 - er een openingsmanoeuvre van start gaat
 - de poort stopt wanneer hij de eindschakelaar open FCA bereikt.
3. Druk op de instructietoets "Sluit" of "Stap-voor-Stap" en controleer of:
 - het knipperlicht gaat knipperen
 - er een sluitmanoeuvre van start gaat
 - de poort stopt wanneer hij de eindschakelaar dicht FCC bereikt.
4. Laat een openingsmanoeuvre van start gaan en controleer dat er tijdens deze manoeuvre een inrichting in werking treedt die:
 - aangesloten op de ingang "Stop", de manoeuvre onmiddellijk onderbreekt en een korte omkering van de beweging veroorzaakt
 - aangesloten op de ingang "Foto", geen enkel gevolg heeft
 - aangesloten op de ingang "Foto2", ervoor zorgt dat de manoeuvre onderbroken wordt en in tegengestelde richting hervat wordt (als er een kaart PIU aanwezig is)
5. Laat een sluitmanoeuvre van start gaan en controleer dat er tijdens deze manoeuvre een inrichting in werking treedt die:
 - Aangesloten op de ingang "Stop", de manoeuvre onmiddellijk onderbreekt en een korte omkering van de beweging veroorzaakt
 - aangesloten op de ingang "Foto", ervoor zorgt dat de manoeuvre onderbroken wordt en in tegengestelde richting hervat wordt
 - aangesloten op de ingang "Foto2", geen enkel gevolg heeft (als er een kaart PIU aanwezig is)
6. Controleer op de aangesloten ingangen of de activering van de ingang een stap in onderstaande reeks ten gevolge heeft:

• Ingang "Stap-voor-stap":	Reeks	= "Open" - "Stop" - "Sluit" - "Stop"
• Ingang "Open":	Reeks	= "Open" - "Stop" - "Open" - "Stop"
• Ingang "Sluit":	Reeks	= "Sluit" - "Stop" - "Sluit" - "Stop"
• Ingang "Gedeeltelijk Open":	Reeks	= "Gedeeltelijk open" - "Stop" - "Sluit" - "Stop" (indien kaart PIU aanwezig is).
7. Controleer als de functie fototest gebruikt wordt, of deze test goed werkt (als de kaart PIU aanwezig is):
 - Onderbreek de fotocel "Foto", laat vervolgens een manoeuvre van start gaan en verifieer dat die manoeuvre niet wordt uitgevoerd
 - Onderbreek de fotocel "Foto2", laat vervolgens een manoeuvre van start gaan en verifieer dat die manoeuvre niet wordt uitgevoerd
 - Breng het contact van de fotocel "Foto" in kortsluiting, laat vervolgens een manoeuvre van start gaan en verifieer dat die manoeuvre niet wordt uitgevoerd
 - Breng het contact van de fotocel "Foto2" in kortsluiting, laat vervolgens een manoeuvre van start gaan en verifieer dat die manoeuvre niet wordt uitgevoerd.
8. Voer de tests uit om de stootkrachten te meten zoals die in de norm EN 12445 voorzien zijn.

Als er na uitvoering van de eindtest andere functies worden geactiveerd die de veiligheid van de installatie kunnen doen afnemen, dient er een voor die functies specifieke eindtest uitgevoerd te worden.

5) Manier van functioneren

Bij werking in de handbediende modus vindt er via de ingang "Open" een openingsmanoeuvre plaats en via de ingang "Sluit" een sluitmanoeuvre. Via de ingang "Stap-voor-Stap" vindt er beurtelings een openings- en sluitmanoeuvre plaats.

Zodra de binnenkomende instructie stopt, wordt de manoeuvre onderbroken. Bij opening wordt de manoeuvre onderbroken wanneer de eindschakelaars in werking treden of als er geen toestemming van "Foto2" (op de kaart PIU) is; bij sluiting daarentegen wordt de manoeuvre onderbroken, als er geen toestemming is van "Foto". Zowel bij opening als bij sluiting zorgt "Stop" er altijd voor dat de manoeuvre onmiddellijk wordt onderbroken. Wanneer de manoeuvre onderbroken is, dient de binnenkomende instructie gestopt te worden alvorens een nieuwe instructie een nieuwe manoeuvre kan bewerkstelligen. Bij werking in één van de automatische modi ("Semi-automatisch", "Automatisch" of "Altijd sluiten") veroorzaakt een bedieningsimpuls op de ingang "Open" een openingsmanoeuvre. Een impuls op "Stap-voor-Stap" zorgt ervoor dat de poort beurtelings open of dicht gaat. Een tweede impuls op "Stap-voor-Stap" of op dezelfde ingang die de manoeuvre gestart heeft, veroorzaakt

een "Stop". Zowel bij opening als bij sluiting zorgt "Stop" er altijd voor dat de manoeuvre onmiddellijk wordt onderbroken en dat de poort eventjes terugloopt.

Als er op een instructie-ingang in plaats van een impuls een doorlopend signaal wordt gegeven, ontstaat er een status van "voorkeur" waarbij de andere instructie-ingangen uitgeschakeld blijven (**nuttig voor het aansluiten van een tijdschakelaar of een keuzeschakelaar Dag-Nacht**).

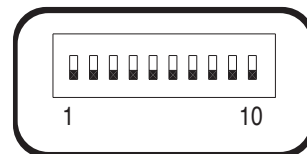
Indien de automatische modus geselecteerd wordt, is er na een openingsmanoeuvre een pauze, waarna een sluitmanoeuvre plaats vindt. Als "Foto" tijdens de pauze in werking treedt, wordt de timer met een nieuwe Pauzeduur teruggesteld; als "Stop" tijdens de pauze in werking treedt, wordt de functie van terugloop gewist en komt de installatie in "Stop". Bij opening heeft het inwerkingtreden van "Foto" geen enkele effect, terwijl "Foto2" (op de kaart PIU) ervoor zorgt dat de beweging tijdelijk onderbroken wordt; bij sluiting zorgt inwerkingtreding van "Foto" voor een omkering van de beweging, daarna een pauze en vervolgens weer sluiting.

6) Programmeerbare functies

De besturingseenheid beschikt over een serie microschakelaars waarmee u de verschillende functies kunt activeren om de installatie zoveel mogelijk aan de eisen van de gebruiker aan te passen en deze in de verschillende gebruikssituaties zo veilig mogelijk te maken.

De functies worden geactiveerd door de desbetreffende dipschakelaar op de stand "On" te zetten, terwijl de functies waarvan de desbetreffende dipschakelaar op "Off" staat, niet geactiveerd worden.

▲ Sommige programmeerbare functies zijn verbonden aan veiligheidsaspecten, overweeg aandachtig de gevolgen van een bepaalde functie en controleer welke functie de grootste mogelijke veiligheid biedt.



Met de dipschakelaars kunt u de verschillende manieren van functioneren selecteren en de gewenste functies volgens onderstaande tabel invoeren:

Schakelaar 1-2:	Off-Off	= "Handbediende" manoeuvre, d.w.z. er is iemand aanwezig
	On -Off	= "Semi-automatische" manoeuvre
	Off-On	= "Automatische" manoeuvre, d.w.z. automatische sluiting
	On -On	= Manoeuvre "Automatisch + altijd sluiten"
Schakelaar 3:	On	= Werking Woningblok < niet beschikbaar in handbediende modus >
Schakelaar 4:	On	= Voorwaarschuwing
Schakelaar 5:	On	= Terugloop 5' na Foto < bij "Automatisch" > of Sluit na Foto < bij "Semi-automatisch" >
Schakelaar 6:	On	= Beveiliging "Foto" ook bij opening
Schakelaar 7:	On	= Geleidelijke start
Schakelaar 8:	On	= Vertraging
Schakelaar 9:	On	= Rem
Schakelaar 10:	Zonder kaart PIU	(op Robo) On = Controlelampje Poort Open (SCA) met proportioneel knipperen
		(op Otto) On = Duur gebruikerslicht = 4 minuten
	Met kaart PIU	On = Functie "Fototest"

N.B.: Sommige functies zijn onder bepaalde omstandigheden mogelijk, deze zijn aangegeven met de tussen de tekens "<...>" staande opmerkingen.

6.1) Beschrijving van de functies

Hieronder geven wij een beknopte beschrijving van de functies die ingeschakeld kunnen worden door de desbetreffende dipschakelaar op "On" te zetten.

Schakelaar 1-2:	Off-Off	= "Handbediende" manoeuvre (er is iemand aanwezig)
	On-Off	= "Semi-automatische" manoeuvre
	Off-On	= "Automatische" manoeuvre (automatische sluiting)
	On-On	= Manoeuvre "Automatisch + Sluit altijd "

Bij de "Handbediende" modus wordt de manoeuvre alleen uitgevoerd zolang de instructie aanwezig is (toets ingedrukt).

Bij "Semi-automatisch" is een instructie-impuls voldoende en wordt de gehele manoeuvre uitgevoerd totdat de Werkingsduur verlopen is of de eindschakelaar bereikt is. Bij "Automatische" werking is er na een openingsmanoeuvre een pauze waarna de sluiting automatisch uitgevoerd wordt.

De functie "Sluit altijd " treedt in werking na een storing in de stroomvoorziening, waarbij automatisch een sluitmanoeuvre uitgevoerd wordt na een waarschuwing van 5 seconden.

Schakelaar 3: **On** = Werking Woningblok (niet beschikbaar in handbediende modus)

Bij de functie Woningblok kan de manoeuvre, zodra de openingsmanoeuvre van start gegaan is, niet door andere bedieningsimpulsen op "Stap-voor-Stap" of "Open" onderbroken worden zolang de openingsmanoeuvre nog niet beëindigd is.

Tijdens een sluitmanoeuvre zal een nieuwe bedieningsimpuls de poort laten stoppen en zal de poort weer open gaan.

Schakelaar 4: **On** = Voorwaarschuwing

Bij het ontvangen van een bedieningsimpuls wordt eerst het waarschuwingslicht geactiveerd en vervolgens gaat na 5 seconden (2 bij bediening met de hand), de manoeuvre van start.

Schakelaar 5: **On** = Terugloop 5" na Foto <indien in "Automatisch" > of Sluiten na Foto <indien in "Semi-automatisch">

Met behulp van deze functie kunt u, indien in "Automatisch", de poort zolang openhouden als nodig is om er doorheen te gaan; nadat "Foto" in werking is gekomen, wordt de manoeuvre onderbroken. Na 5 seconden zal er automatisch een sluitmanoeuvre van start gaan. Indien in Semi-automatisch, zal het inwerking treden van "Foto" tijdens de sluitmanoeuvre de automatische sluiting met de ingestelde Pauzeduur activeren.

Schakelaar 6: **On** = Beveiliging "Foto" ook bij opening

Normaal gesproken is de beveiliging "Foto" alleen tijdens de sluitmanoeuvre geactiveerd; als de schakelaar 6 op "On" wordt gezet, wordt de manoeuvre door het in werking treden van de veiligheidsinrichting onderbroken, ook bij het openen.

Indien in "Semi-automatisch" of "Automatisch" zal de openingsmanoeuvre, zodra de beveiliging vrijkomt, weer hervat worden

Schakelaar 7: **On** = Geleidelijke start

Hiermee verloopt het begin van de manoeuvre geleidelijk zodat de automatisering geen ongewenste schokken krijgt te verduren

Schakelaar 8: **On** = Vertraging

De vertraging bestaat uit een snelheidsvermindering op 30% van de nominale snelheid zodat onnodige schokken aan het einde van de manoeuvre voorkomen kunnen worden.



De functie Vertraging behalve dat die de snelheid van de automatisering doet afnemen, reduceert ook met 70% het koppel van de motoren.

In automatiseringen die een hoog koppel vereisen, kan het feit dat het koppel dermate wordt teruggebracht, tot gevolg hebben dat de motor onmiddellijk stopt.

Uitvoering voor ROBO en THOR:

Aan het einde van de openings- of sluitmanoeuvre op grond van de Werkingsduur wordt er een vertragingfase uitgevoerd die net zolang als de Werkingsduur duurt.

Als de manoeuvre stopt als gevolg van het inwerking treden van de eindschakelaars, wordt de vertragingfase niet uitgevoerd; u dient dan de Werkingsduur af te stellen om de vertraging 30-50 cm voor het inwerking treden van de eindschakelaars te laten beginnen.

Uitvoering voor OTTO:

Aan het einde van de sluitmanoeuvre duurt de vertragingfase 3 s., indien die het gevolg is van het in werking treden van de eindschakelaars en net zolang als werkingstijd indien die het gevolg is van het einde van de werkingsduur (voor het goed laten werken van de vertraging is het raadzaam eindschakelaars te gebruiken).

Bij de openingsfase wordt er geen vertraging maar een geleidelijke stop uitgevoerd.

▲ Als u de vertragingfunctie op gevoelige installaties gebruikt en als die langer dan 3 S. duurt is het absoluut noodzakelijk in de nabijheid van de besturingseenheid een netfilter van tenminste 6A met een verlaging van 30dB op

de klemmetjes van de netvoeding aan te brengen om de door de norm EN 50081-1 voorgeschreven limieten van elektromagnetische uitstraling niet te overschrijden.

Schakelaar 9: On = Rem

Aan het einde van de manoeuvre wordt er een remprocedure op de motor uitgevoerd, aanvankelijk lichtjes, maar dan steeds duidelijker om de poort snel maar zonder schokken te laten stoppen.

Schakelaar 10: On

ROBO en THOR

Zonder ingeplugde kaart PIU:

- "Controlelampje Poort Open " met proportioneel knipperen

Met ingeplugde kaart PIU:

- "Fototest"

Met behulp van deze functie kunt u elke keer bij de aanvang van een manoeuvre controleren of de fotocellen goed werken. Zie het hoofdstuk "Fototest"

OTTO

Zonder ingeplugde kaart PIU:

- Duur "Gebruikerslicht" = 4 minuten

Met ingeplugde kaart PIU:

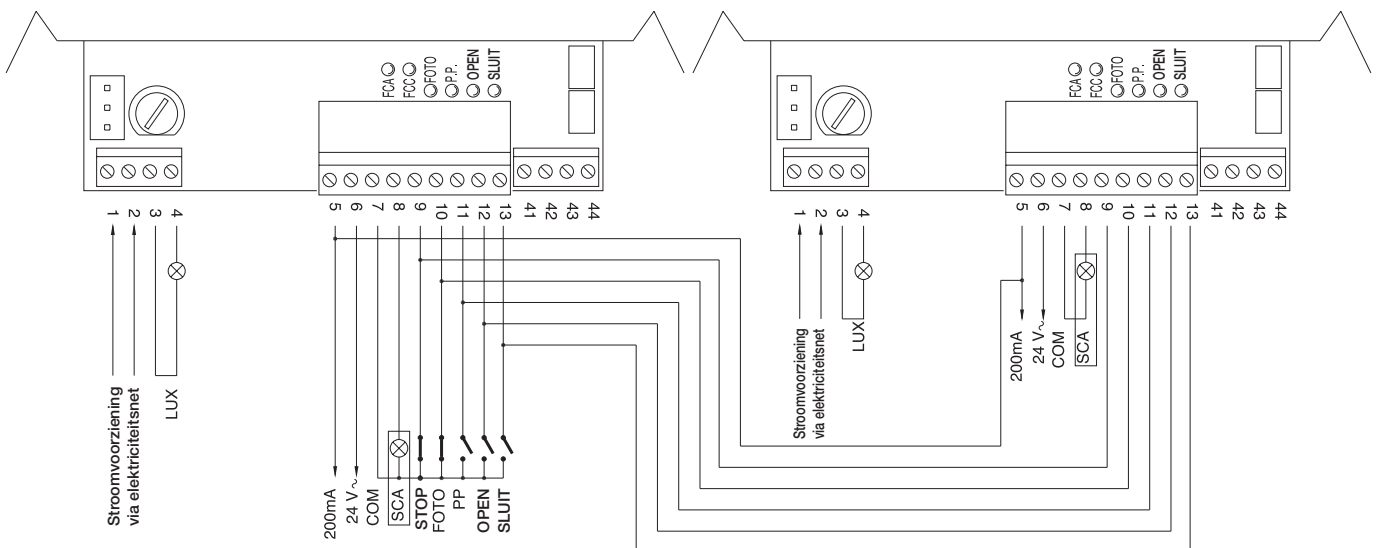
- "Fototest"

7) Toepassing van twee besturingseenheden op in tegenovergestelde richting werkende vleugels

Om een automatisering met 2 vleugels die in tegenovergestelde richting werken aan te leggen dient u als volgt te werk te gaan:

- Gebruik twee motoren waarvan de besturingseenheden aangesloten zijn zoals u dat op **afb.5** kunt zien.
- Sluit het waarschuwingslicht en het "Controlelampje Poort Open" op één van de twee besturingseenheden, onverschillig welke, aan.
- De ingangen moeten onderling parallel geschakeld worden.
- Het "Gemeenschappelijk" van de ingangen kan op één van de 2 besturingseenheden worden aangesloten.

- Sluit de 0Volt (Klemmetje 5) van de twee besturingseenheden op elkaar aan.
- De functie "Fototest" mag niet gebruikt worden.
- Het is raadzaam de functie "Woonblok" in werking te stellen (dip-schakelaar 3) waarmee de 2 vleugels weer synchroon kunnen werken, mochten de 2 besturingseenheden niet meer synchroon werken



8) Apart leverbare accessoires

Kaart PIU

De besturingseenheid omvat reeds alle functies die bij een normale installatie gebruikt worden. Om tegemoet te komen aan de eisen bij speciale installaties is de speciale kaart PIU ontworpen waarmee u nieuwe functies aan de installatie kunt toevoegen zoals verkeerslichten, gebruikerslampje, Elektroslot, "Foto2", gedeeltelijke opening en "Fototest".

Rood = Rood licht van het verkeerslicht
Gewoonlijk is dat altijd uit, maar het gaat branden wanneer de poort open of dicht gaat.

Groen = Groen licht van het verkeerslicht
Dit blijft gewoonlijk branden, maar het dooft wanneer de poort open of dicht gaat.

Elektroslot = Uitgang voor instructie elektroslot.
Het elektroslot wordt gedurende 1,5 s aan het begin van de openingsmanoeuvre geactiveerd

**Gebruikerslicht/
Fototest** = Uitgang waarmee u als u dat gebruikt voor de instructie gebruikerslampje, aan het begin van elke manoeuvre een Gebruikerslampje kunt laten branden dat tot na afloop van de manoeuvre blijft branden en wel zolang als met de trimmer Tijd Gebruikerslampje op de kaart PIU geprogrammeerd is.
Gebruikerslicht aanwezig op de kaart PIU.
Als u de functie "Fototest" (dipschakelaar 10 = ON) activeert, maakt deze uitgang het mogelijk de fotocellen bij het begin van alle manoeuvres te testen.

RADIO-kaart

De besturingseenheid beschikt over een insteeksleuf voor het insteken van een Nice-radiokaart, waardoor het mogelijk is de ingang "Stap-voor-stap" te gebruiken en zo de besturingseenheid via een zender op afstand te bedienen.

Open gedeeltelijk = Ingang voor gedeeltelijke opening ("Gedeeltelijke opening" "Stop", "Sluit", "Stop"). Deze functie doet hetzelfde als de functie "Stap-voor-Stap" op de hoofdkaart, met dat verschil dat de manoeuvre "Open" zolang duurt als via de trimmer "Tijd Gedeeltelijke opening" op de kaart PIU is ingesteld.

Foto 2 = Ingang 2de veiligheidsinrichting. Deze inrichting treedt alleen bij een openingsmanoeuvre in werking en zorgt ervoor dat de manoeuvre onderbroken wordt, waarbij de poort eventueel gesloten wordt als de werkingsmodus "Semi-automatisch" of "Automatisch" op de besturingseenheid geprogrammeerd is.

24 V = Uitgang 24V die gebruikt kan worden om de neveninrichtingen zoals fotocellen of andere van stroom te voorzien. Het klemmetje 11 is ook gemeenschappelijk voor de ingangen .

9) Onderhoud

Voor de besturingseenheid als elektronische component is geen enkel speciaal onderhoud vereist. Controleer echter periodiek (tenminste eens in het half jaar), of de afstellingsinrichting van de Kracht van de motor nog goed werkt; gebruik eventueel de trimmer om een en ander bij te stellen.

Voer de eindtest in zijn geheel opnieuw uit om te controleren of de veiligheidsinrichtingen (fococellen, pneumatische lijsten, etc.) en het waarschuwingslicht correct functioneren.

10) Afvalverwerking

Dit product bestaat uit verschillende soorten materialen, waarvan sommige gerecycleerd kunnen worden.
Win inlichtingen over de methoden van hergebruik of afvalverwerking in en houd u aan de plaatselijk van kracht zijnde voorschriften.

⚠ Sommige elektronische onderdelen zouden vervuilende stoffen kunnen bevatten: laat ze niet in het milieu verdwijnen.

11) Wat te doen als...

Dit is bedoeld als een richtlijn voor de installateur om hem te helpen bij het oplossen van de problemen die zich tijdens de installatie kunnen voordoen.

Er brandt geen enkele ledlampje

- Controleer of de besturingseenheid onder spanning staat (controleer dat er op de klemmetjes 1-2 de spanning van het elektriciteitsnet staat en op de klemmetjes 5-6 een spanning van ongeveer 24Vac).
- Controleer of de 2 zekeringen op de stroomvoorziening intact zijn, en als er ook nu geen enkel ledlampje brandt, zal het hoogst waarschijnlijk om een ernstige storing gaan en zal de besturingseenheid vervangen dienen te worden.

Het ledlampje OK knippert regelmatig maar de ledlampjes **INGANGEN** komen niet met de status van de betreffende ingangen overeen

- Controleer nauwkeurig de aansluitingen op de klemmetjes van de ingangen 7÷13.

De manoeuvre gaat niet van start

- Controleer dat de ledlampjes van de beveiligingen "Stop" (FCA + FCC), "Foto", en eventueel "Foto2" branden en dat het ledlampje van de instructie die geactiveerd wordt ("Stap-voor-Stap", "Open" of "Sluit") brandt, zolang de instructie gegeven wordt.

Tijdens de manoeuvre voert de poort een terugloop uit

De oorzaken voor het teruglopen zijn:

- De fotocellen "Foto 2" bij opening en "Foto" bij sluiting treden in werking; controleer in dit geval de aansluitingen van de fotocellen en verifieer eventueel de signaleringledlampjes van de ingangen.

12) Technische gegevens

Stroomvoorziening via elektriciteitsnet	: 230 Vac 50/60 Hz
Uitvoeringen /V1	: 120 Vac 50/60 Hz
Max. stroom neveninrichtingen 24 V	: 200mA
Uitgang knipperlicht	: Voor waarschuwingslichten op netspanning, maximumvermogen 40 W
Uitgang controlelampje poort open "SCA"	: Voor controlelampjes 24Vac, maximumvermogen 2 W
Bedrijfstemperatuur	: -20 ÷ 70 °C
Werkingsduur ROBO/THOR	: Instelbaar van 2,5 tot > 60 s, oppure da < 50 a > 120 s met TLM
Werkingsduur OTTO	: Instelbaar van 2,5 tot > 20 s, of van < 20 tot > 40 s met TLM
Pauzeduur	: Instelbaar van 5 tot > 160 s.

op Kaart PIU

Duur Ged.Open ROBO/THOR	: Instelbaar van 1 tot > 30 s.
Duur Ged. Open OTTO	: Instelbaar van 1 tot > 14 s.
Duur gebruikerslicht	: Instelbaar van 1 tot > 180 s.

Dichiarazione CE di conformità / EC declaration of conformity

(secondo Direttiva 98/37/EC, Allegato II, parte B) (according to 98/37/EC Directive, Enclosure II, part B)

Numero /Number: 131/RO-TH-OT

Data / Date: 9/2001

Revisione / Revision: 3

Il sottoscritto Lauro Buoro, Amministratore Delegato, dichiara che il prodotto: / The undersigned Lauro Buoro, General Manager, declares that the product:

Nome produttore / Producer name: NICE s.p.a.

Indirizzo / Address: Via Pezza Alta 13, 31046 Z.I. Rustignè - ODERZO- ITALY

Tipo / Type: Motoriduttore elettromeccanico 230 V.a.c. per cancelli scorrevoli / Electromechanical gear motor for sliding doors

Modello / Model: RO1000, RO1010, RO1020, TH1551, TH2251, OT21

Accessori / Accessories: Scheda PIU, Ricevitore radio opzionale mod. K, BIO, FLO, FLOR / PIU Board, Optional Radio receiver mod. K, BIO, FLO, FLOR

Risulta conforme a quanto previsto dalle seguenti direttive comunitarie / Complies with the following community directives

Riferimento n°	Titolo
Reference n°	Title
73/23/CEE, 93/68/CEE	DIRETTIVA BASSA TENSIONE e successiva modifica/ Low Voltage Directive and subsequent modification
89/336/CEE	DIRETTIVA 'COMPATIBILITA' ELETTROMAGNETICA (EMC) / EMC Electromagnetic Compatibility Directive
98/37/CE (EX 89/392/CEE)	DIRETTIVA MACCHINE / Machinery Directive

Risulta conforme a quanto previsto dalle seguenti Norme armonizzate / Complies with the following Harmonised standards

Riferimento n°	Edizione	Titolo	Livello di valutazione	Classe
Reference n°	Issue	Title	Assessment level	Class
EN60335-1	04/1998	Sicurezza degli apparecchi elettrici d'uso domestico e similare - Norme generali. Safety of household and electrical appliances - General requirements		
EN60204-1	09/1993	Sicurezza del macchinario-Equipag. elettrico delle macchine-Parte 1:Reg.generali Safety of machinery-Electrical equipment of machines-Part 1:General requirements		
EN55022	09/1998	Apparecchi per la tecnologia dell'informazione. Caratteristiche di radiodisturbo. Limiti e metodi di misura Information technology equipment - Radio disturbance characteristics Limits and methods of measurement		B
ENV50204	04/1996	Campo elettromagnetico irradiato dai radiotelefoni numerici - Prova di immunità. Radiated electromagnetic fields from digital radio telephones - Immunity test	10V/m	A
EN61000-3-2-3	03/1995	Parti 2-3: Armoniche/Flicker Parts 2-3: Harmonic/Flicker		A
EN61000-4-2	09/1996	Compatibilità elettromagnetica (EMC) / Electromagnetic compatibility (EMC) Parte 4: Tecniche di prova e di misura / Part 4: Testing and measurement techniques Parte 2: Prove di immunità a scarica elettrostatica Part 2: Electrostatic discharge immunity test	6KV, 8KV	B
EN61000-4-3	11/1997	Parte 3: Prova d'immunità sui campi irradiati a radiofrequenza Part 3: Radiated, radio-frequency, electromagnetic field immunity test	10V/m,	A
EN61000-4-4	09/1996	Parte 4: Test sui transienti veloci/ immunità ai burst Part 4: Electrical fast transient/burst immunity test.	2KV, 1KV	B
EN61000-4-5	06/1997	Parte 5: Prova di immunità ad impulsi Part 5: Surge immunity test	4KV, 2KV	B
EN61000-4-6	11/1997	Parte 6: Immunità ai disturbi condotti, indotti da campi a radiofrequenza Part 6: Immunity to conducted disturbances, induced by radio-frequency fields.	10V	A
EN61000-4-8	06/1997	Parte 8: Prova di immunità a campi magnetici a frequenza di rete Part 8: Power frequency magnetic field immunity test.	30A/m	A
EN61000-4-11	09/1996	Parte 11: Prove di immunità a buchi di tensione, brevi interruzioni e variazioni di tensione Part 11: Voltage dips, short interruptions and voltage variations immunity tests		B-C

Risulta conforme a quanto previsto dalle altre norme e/o specifiche tecniche di prodotto / Complies with the other standards and/or product technical specifications

Riferimento n°	Edizione	Titolo	Livello di valutazione	Classe
Reference n°	Issue	Title	Assessment level	Class
EN 12445	11/2000	Industrial, commercial and garage doors and gates - Safety in use of power operated doors - Test methods		
EN 12453	11/2000	Industrial, commercial and garage doors and gates - Safety in use of power operated doors - Requirements		

Inoltre dichiara che non è consentita la messa in servizio del prodotto suindicato finché la macchina, in cui il prodotto stesso è incorporato, non sia identificata e dichiarata conforme alla direttiva 89/392/CEE / The above-mentioned product cannot be used until the machine into which it is incorporated has been identified and declared to comply with the 89/392/EEC directive.

Il prodotto suindicato si intende parte integrante di una delle configurazioni di installazione tipiche, come riportato nei nostri cataloghi generali / The above product is an integral part of one of the typical installation configurations as shown in our general catalogues

Oderzo, li 11 Settembre 2001

(Amministratore Delegato)

(General Manager)

Lauro Buoro



Nice SpA
Oderzo TV Italia
Tel. +39.0422.85.38.38
Fax +39.0422.85.35.85
info@niceforyou.com

Nice Padova
Sarmeola di Rubano PD Italia
Tel. +39.049.89.78.93.2
Fax +39.049.89.73.85.2
infopd@niceforyou.com

Nice Roma
Roma Italia
Tel. +39.06.72.67.17.61
Fax +39.06.72.67.55.20
inforoma@niceforyou.com

Nice France
Buchelay
Tel. +33.(0)1.30.33.95.95
Fax +33.(0)1.30.33.95.96

Nice Rhône-Alpes
Decines Charpieu France
Tel. +33.(0)4.78.26.56.53
Fax +33.(0)4.78.26.57.53

Nice France Sud
Aubagne France
Tel. +33.(0)4.42.62.42.52
Fax +33.(0)4.42.62.42.50

Nice Belgium
Leuven (Heverlee)
Tel. +32.(0)16.38.69.00
Fax +32.(0)16.38.69.01
info@be.niceforyou.com

Nice España Madrid
Tel. +34.9.16.16.33.00
Fax +34.9.16.16.30.10
info@es.niceforyou.com

Nice España Barcelona
Tel. +34.9.35.88.34.32
Fax +34.9.35.88.42.49
info@es.niceforyou.com

Nice Polska
Pruszków
Tel. +48.22.728.33.22
Fax +48.22.728.25.10
info@pl.niceforyou.com

Nice UK
Chesterfield
Tel. +44.87.07.55.30.10
Fax +44.87.07.55.30.11
info@uk.niceforyou.com

Nice China
Shanghai
Tel. +86.21.575.701.45/46
Fax +86.21.575.701.44
info@cn.niceforyou.com