

# Thor1500

Sliding Gate Opener



CE

**EN - Instructions and warnings for installation and use**

**IT - Istruzioni ed avvertenze per l'installazione e l'uso**

**FR - Instructions et avertissements pour l'installation et l'utilisation**

**ES - Instrucciones y advertencias para la instalación y el uso**

**DE - Installierungs-und Gebrauchsanleitungen und Hinweise**

**PL - Instrukcje i ostrzeżenia do instalacji i użytkowania**

**NL - Aanwijzingen en aanbevelingen voor installatie en gebruik**

**Nice**



## 1 GENERAL SAFETY WARNINGS AND PRECAUTIONS

### WORKING IN SAFETY!

- **CAUTION! – Important instructions: Keep this manual in a safe place to enable future product maintenance and disposal operations.**
- **CAUTION! – All installation procedures, connections, programming and maintenance of the product must be performed exclusively by a qualified technician!**

Considering the hazards that may occur during installation and use, maximum safety is only ensured if the product is installed in strict observance of current legislation, standards and regulations. This chapter contains general warnings, while other important warnings are provided in chapters 3 “Installation” and 7 “Testing and commissioning”.

**According to the most recent legislation, the installation of an automatic gate or door must be in full observance of the standards envisaged by European Directive 98/37/EC (Machinery Directive) and in particular standards: EN 13241-1 (harmonised standard); EN 12445; EN 12453 and EN 12635, which enable declaration of conformity with the machinery directive.**

Further information, with guidelines to risk assessments and the drafting of the Technical Documentation can be found on the website [www.niceforyou.com](http://www.niceforyou.com). This manual, excluding the detachable appendix “Operation Manual” for the installer, is aimed exclusively at technical personnel qualified for installation; no other information in this documentation can be considered of interest to the user.

- Use of the product other than as described in this manual is strictly prohibited; improper use can lead to danger, physical injury or damage to objects.
- Before installation, an assessment of the associated risks must be made, including a list of the essential safety requirements as envisaged in Appendix I of the Machinery Directive, specifying the relative solutions adopted.

Note that the risk assessment is one of the documents included in the automation Technical documentation.

- Check whether other devices are needed to complete the automation on the basis of the specific conditions of use and dangers present; take into account all risks of impact, crushing, shearing, dragging etc. and other hazards in general.
- Never make any modifications to parts if not envisaged in these instructions; operations of this type will lead to malfunctions; NICE declines all liability for damage caused by modified products.
- During installation and use, ensure that no solids or liquids can penetrate the control unit or other open devices; if necessary contact the NICE assistance service; use in these conditions may constitute a hazard.
- The automation may only be used after completing the “commissioning” procedure as specified in chapter 5 “Testing and commissioning”.
- The product packaging material must be disposed of in full observance of current local legislation governing waste disposal.
- In the event of faults not solved with the information in this manual, contact the NICE assistance service.
- If an automatic circuit breaker trips or a fuse blows, identify and eliminate the fault before restoring normal operating conditions.

- Before accessing internal terminals under the cover, disconnect all power circuits. If the disconnect device is not in a visible location, affix a notice stating: “WARNING: MAINTENANCE IN PROGRESS”.

Special warnings regarding suitability of product use in relation to the “Machinery” Directive” 98/37/EC (ex 89/392/EEC):

- This product is issued onto the market as a “machine component” and is therefore constructed for incorporation in a machine or for assembly with other machinery to obtain “a machine” in accordance with the Directive 98/37/EC only in combination with the other components and using the methods as described in this instruction manual. As envisaged in the directive 98/37/EC, start-up of the product specified above is not admitted unless the manufacturer of the machine, in which the product is incorporated, has identified and declared the machine as conforming to directive 98/37/EC.

Special warnings regarding suitability of product use in relation to the “Low Voltage” Directive” 2006/95/EEC:

- This product meets the requirements of the “Low Voltage” Directive if

used as specified in the configurations as envisaged in this instruction manual and in combination with the articles listed in the product catalogue of Nice S.p.a. These requirements may not be guaranteed if the product is used in configurations or with other products not envisaged; use of the product in these situations is strictly prohibited unless the installer has verified that all requirements of the directive have been met.

Special warnings regarding suitability of product use in relation to the “Electromagnetic Compatibility” Directive” 2004/108/EEC:

- This product has undergone all tests regarding electromagnetic compatibility in the most critical conditions of use, in the configurations as envisaged in this instruction manual and in combination with the articles listed in the product catalogue of Nice S.p.a. Electromagnetic compatibility may not be guaranteed if the product is used in configurations or with other products not envisaged; use of the product in these situations is strictly prohibited unless the installer has verified that all requirements of the directive have been met.

## 2 PRODUCT DESCRIPTION AND INTENDED USE

**TH1500** is designed to automate sliding gates for residential applications. **Any other use than as specified herein or in environmental conditions other than as stated in this manual is to be considered improper and is strictly prohibited!**

The gearmotor comprises a 230 V ac motor, a pinion and a control unit.

The control unit powers all devices present in the system and manages all relative functions. It is made up of a board and incorporated multi-code radio receiver which receives the commands sent by a transmitter. Special functions are also available to enable personalisation of automation use.

The automation enables the installation of various accessories which enhance functionality and guarantee optimal safety.

The product is mains-powered, and, in the event of a power failure enables manual release of the gearmotor for manual movement of the gate.

## 3 INSTALLATION

### 3.1 - Preliminary installation checks

Before proceeding with installation, check the condition of the product components, suitability of the selected model and conditions of the intended installation environment.

**IMPORTANT – The gearmotor cannot be used to power a manual gate that does not have a fully efficient and safe mechanical structure. Neither can it solve defects caused by poor installation or insufficient maintenance of the door itself.**

### 3.2 - Checking suitability of the environment and gate to be automated

- Ensure that the mechanical structure of the gate complies with current national standards and that it is suitable for automation. (*If present, refer to the information specified on the gate dataplate*).

- Ensure that the weight and dimensions of the leaf are within the application limits as specified in paragraph 3.3 “Application limits”.

- With reference to the values specified in chapter “Product technical specifications”, ensure that:

- the force required to move the gate leaf, is less than half the value of the force corresponding to the “Maximum Torque”;

- the force required to maintain gate movement, is less than half the value of the force corresponding to the “Nominal Torque”. *Note – To set the force value, a margin of 50% is recommended as adverse weather conditions could increase the degree of friction.*

- Move the gate leaf manually to open and close, checking that movement has the same degree of friction throughout all points of travel (*no increase in friction must occur*).

- Manually move the leafs to any position and leave stationary, ensuring that they do not move from this position and that the gate leaf remains balanced.
- Ensure that there is no risk of gate leaf guides coming out of their seats.
- Ensure that the gearmotor fixing zone is not subject to the risk of flooding; if necessary install the gearmotor in a position raised from the ground.
- Ensure that the space around the gearmotor enables safe and easy manual gate release.
- Ensure that the crushing points between the gate leaf and fixed parts of the latter are protected during the *Opening* and *Closing* manoeuvres.
- Ensure that the selected surfaces for installation of the various devices are solid and guarantee a stable fixture. In particular, ensure that the selected surfaces for fixing the photocells are flat and enable correct alignment between photocells.
- Ensure that all devices to be installed are in a sheltered location and protected against the risk of accidental impact.
- Ensure that the operating temperature range as specified on the product dataplate is compatible with the climatic conditions of the place of installation.
- If the gate leaf incorporates a pedestrian access door or if this door is positioned in the gate movement area, ensure that this does not prevent normal gate travel; if necessary install a compatible interlock system.
- Connect the control unit to an electric power line equipped with an earthing system.
- On the power line from the automation, install a device for disconnection from the power mains, to guarantee a gap between contacts and complete disconnection in the conditions of overvoltage category III. If the power disconnect device is not in the vicinity of the automation, fit a block system against possible inadvertent or unauthorised connection.

### 3.3 - Product application limits

To ascertain suitability of the product with respect to the specific features of the gate and area to be automated, the following checks should be performed as well as a check for compliance of the technical data in this paragraph and the chapter 8 "**Product technical specifications**".

- Ensure that the dimensions and weight of the gate are within the following limits of use:

**maximum length 14 m**

**maximum weight 1500 kg**

- Check the overall dimensions of the gearmotor with reference to **fig. 1**. *Note – These measurements also serve as a reference to calculate the space occupied by the foundation pit for routing the electrical cable ducting.*
- Ensure that the dimensions of the selected area for mounting the gearmotor is compatible with the overall dimensions.
- On the gate leaf, ensure that the surface for mounting the rack is suitable and solid.

**Caution!** – *If the results of these checks do not conform to specifications, this model cannot be used for automation of your gate.*

### 3.4 - Preliminary set-up work

**Fig. 2**, shows an example of an automation system set up with **Nice** components. These parts are positioned according to a typical standard layout.

With reference to **fig. 2**, locate the approximate position for installation of each component envisaged in the system.

**Warning** - the "fixed" control devices must be visible from the gate but positioned far from moving parts.

The gearmotor is factory set to be installed on the right-hand side of the gate. **CAUTION!** - *If forced to install the gearmotor on the left-hand side of the gate refer to the instructions in chapter 4 (paragraph 4.1 - point 07).*

**Components required to set-up a complete system (fig. 2):**

- 1 - electromechanical gearmotor
- 2 - pair of photocells
- 3 - key-operated selector switch or digital keypad
- 4 - flashing light with incorporated aerial
- 5 - limit switch brackets
- 6 - rack
- 7 - posts for photocells

Before starting installation, ensure that there is all equipment and materials required for the work concerned. Also ensure that all items are in good condition and comply with local safety standards.

Dig the routes for the ducting used for electrical cables, or alternatively external ducting can be laid, after which the pipelines can be

embedded in concrete and other preparation work for the installation can be completed to finalise the site ready for subsequent installation operations.

**In particular, for digging the pit used to anchor the gearmotor to the ground, proceed as follows:**

**01.** Dig the foundation pit in the gearmotor fixture point. **Note** – *The dimensions of the pit must be the same or greater than those of the foundation plate.*

**02.** Lay the ducting for the routing of cables.

**CAUTION!** – **In general, position the ends of the ducting used for electrical cables in the vicinity of the points envisaged for fixture of the various components.**

**Note:** *The ducting serves to protect electrical cables and prevent accidental damage in the event of impact.*

To prepare the electric cables required in the system, refer to **fig. 10-10a** and **Table 1 – Technical specifications of electric cables.**

**TABLE 1: Technical specifications of electric cables**

Connection	Cable type	Maximum admissible length
<b>A: POWER</b> Cable	Cable 3 x 1,5 mm <sup>2</sup>	30 m (note 1)
<b>B: FLASHING LIGHT</b> with aerial cable	RG58 type shielded cable	30 m (less than 5 m recommended)
<b>C: PHOTOCELL</b> Cable	Cable 2 x 0,5 mm <sup>2</sup> (TX) Cable 4 x 0,25 mm <sup>2</sup> (RX)	30 m 30 m
<b>D: KEY-OPERATED</b> SELECTOR SWITCH cable DIGITAL KEYPAD	Cables 4 x 0,25 mm <sup>2</sup>	30 m

**General note:** *The cables required for the set-up of the system (not included in the pack) may vary according to the quantity and type of devices envisaged for the installation.*

**Note 1:** *If greater lengths are required, a cable with a diameter of 3x2.5 mm<sup>2</sup> may be used; in this case earthing is required in the vicinity of the automation.*

**CAUTION!** – **The cables used must be suited to the installation environment; for example a cable type H03VV-F for indoor environments is recommended and a cable type H07RN-F for outdoor environments is recommended.**

### 3.5 - Installing the automation components

#### WARNINGS

- Incorrect installation may cause serious physical injury to those working on or using the system.
- Before assembly of the automation, perform the preliminary checks as described in paragraphs "3.2 – Suitability of environment and gate to be automated" and "3.3 – Product application limits".
- Fit one or more sheaths for routing the electric cables.

#### Fixing the foundation plate

- 01.** For each of the 4 anchor bolts provided, hand tighten 1 thin M 12 nut along the entire thread.
- 02.** Insert the four anchor bolts in the foundation plate (**fig. 3**).
- 03.** Fit one or more sheaths for routing the electric cables.
- 04.** Embed the plate in the concrete making sure that it is perfectly level.

In order to use the gearmotor's slot mounting (**fig. 4**) the correct distance between the foundation plate and the rack must be observed (so it is necessary to know in advance whether it will be welded to the gate or fixed with screws and spacers).

#### Gearmotor installation

- 01.** Remove the gearmotor cover using a screwdriver to loosen the lateral screws (**fig. 5**). **Note** – *Leave the gearmotor without the cover until the installation and programming phases have been completed.*
- 02.** Remove the two screw covers, pulling them upwards (**fig. 6**).
- 03.** Place TH1500 on the already walled foundation plate;
- 04.** Tighten the 4 low nuts if you wish to adjust the height of the gearmotor (10 mm maximum), otherwise do not use them (**fig. 7**);
- 05.** Fit the 4 washers;
- 06.** Tighten firmly the M12 nuts, and any low counter nuts, with a 19 mm size spanner

07. Put the screw covers back in place, pushing them down from the top;
08. Release the gearmotor by means of the special release key (refer to the paragraph "Manually releasing or locking the gearmotor" in the "Operation manual").
09. Move the gate to the maximum opening position then position the first section of the rack above the pinion of the gearmotor. **Important:** - the total length of the rack must be the same as the length of the gate leaf; - the distance between the pinion and rack must be approx. 1-2 mm, to prevent the leaf weight from impairing gearmotor operation.
10. At this point fix the rack onto the leaf (refer to the rack instruction manual).
11. Manually slide the leaf to fix the other parts of the rack: Use the pinion as a reference point and a spirit level to position each section of the rack so that it is horizontal and perfectly aligned with the end placed on the pinion. **Note** – To provisionally fix the rack parts to the leaf, use the clamps as shown in **fig. 8**.  
**Warning** – If the adjustment range possible with the rack is not sufficient, the gearmotor height can be adjusted by means of the 2 hex screws.
12. As the rack must not protrude from the gate leaf cut off any excess section as required.
13. Manually complete a number of Opening and Closing cycles to ensure that the rack slides smoothly along the pinion throughout the entire length. Also ensure that the distance between the pinion and rack is approx. 1-2 mm.
14. Position (approximately) the two limit switch brackets on the rack (**fig. 9**) and manually move the gate for final fixture.
15. Fix the limit switch brackets as follows:
  - a) manually move the leaf to the opening position, leaving a distance of at least 2-3 cm from the mechanical end stop.
  - b) slide the travel limit bracket on the rack in the opening direction until the limit switch trips. Then move the bracket forward by at least 2 cm and lock on the rack using the grub screws supplied.
  - c) perform the same operation to secure the *Closing* limit switch.
16. Then lock the gearmotor by means of the special key (refer to the paragraph "Manually releasing or locking the gearmotor").

## 4 ELECTRICAL CONNECTIONS

At this point after installing the gearmotor and control devices (key-operated selector switch or pushbutton panels) and safety devices (emergency stop, photocells, sensitive edges, flashing light) make electrical connections with reference to the following paragraphs and the example in **fig.10-10a**.

The control unit has a series of functions selectable by means of dip-switches (mini switches) and settings made via trimmers (**fig. 11**).

The input leds (**fig. 11**) indicate the operating status of the automation components, while the "OK" led (**fig. 11**), indicates correct operation of the control unit. The control unit incorporates a multicode radio receiver.

### Control Unit components (fig. 11):

- a - Terminal board for aerial
- b - Function selection dipswitches
- c - Radio pushbutton
- d - Work Time setting trimmer (TL)
- e - Pause Time setting trimmer (TP)
- f - Control input/output terminal board
- g - Limit switch input connector
- h - Flashing light/ courtesy light output terminal board
- i - Capacitor connector
- l - Motor power supply output connector
- m - Power supply terminal board
- n - Radio indicator led
- o - Low voltage fuse (315 mA F)
- p - Force setting trimmer (F)
- q - "OK" Led
- r - Transformer
- s - Line fuse (5A F)

### CAUTION!

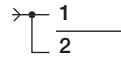
- To avoid hazardous situations, ensure that the control unit is disconnected from the power supply during connections.
- Incorrect connections can cause faults or hazards; therefore ensure that the specified connections are strictly observed.
- There are precise standards regarding electrical safety and power-operated gates which must be strictly observed at all times.

To make the electrical connections, remove the cover from the control unit as shown in **fig. 12** and proceed according to **fig. 11** and the paragraph "Description of electrical connections". Lastly, fasten the power cable using the dedicated cable clamp (**fig. 13**).

To ensure correct electrical safety and optimal operation of the automation, make the earthing connection on the terminal as shown in **fig. 11**.

### Description of electrical connections

This section describes the possible connections to the control units for control devices and safety devices:

Terminals	Function	Description
1 - 2 - 3	Power supply	Mains power line
4 - 5	Flashing light	Output for connection of flashing light to power mains (Max. 40 W)
8 - 9	24 Vac	Service power supply 24 Vac +/- 25% (Max. 150 mA)
9	Common	Common for all inputs
10	Alt	Input with "Alt" function (Stop and brief inversion)
11	Foto	Input for safety devices
12	STEP-STEP	Input for sequential movement (SS) ("Open" – "Stop" – "Close" – "Stop")
	1	Aerial +
	2	Aerial mass

### Warnings:

- The NC (normally closed) type contacts, if not used must be "jumped" and, if more than one, placed in SERIES;
- The NO (normally open) type contacts, if not used must be left free and, if more than one, placed in PARALLEL;
- The contacts must always be mechanical and free of any type of voltage; stage connections defined as "PNP", "NPN", "Open Collector" etc. are not admitted.

### 4.1 - Initial start-up and connection check

**CAUTION!** The following operations described in this manual will be performed on live electrical circuits and therefore manoeuvres may be hazardous! Therefore proceed with care.

01. Power up the control unit and ensure that there is approx. 24 Vac between terminals 8 and 9.
02. Ensure that the "OK" led, after emitting some quick flashes, emits flashes at regular intervals.
03. At this point ensure that the leds related to inputs with NC contacts are lit (all safety devices active) and that the leds related to the NO inputs are off (no control present).  
If this does not occur, check the various connections and functionality of the various devices. The Alt input is activated, deactivating the opening limit switch (FCA) and the closing limit switch (FCC).
04. Check the connection of the limit switches: Move the limit switch lever and ensure that the relative limit switch trips, switching off the corresponding led on the control unit.
05. Release the gearmotor and move the gate leaf to mid-travel and then lock the gearmotor. This ensures that the gate leaf is free to complete by opening and closing manoeuvres.
06. Ensure that the leaf moves in the correct direction according to the signal on the control unit. **Important** – This check is compulsory. If the leaf direction is not correct with respect to the signal on the control unit, the automation may apparently operate correctly (the "Open" cycle is the same as the "Close" cycle), but in practice the safety devices may be ignored during execution of the Closing manoeuvre. In this case, the safety devices would only be activated during the Opening manoeuvre, thus causing re-closure against the obstacle, with disastrous consequences!
07. Ensure that the direction of motor rotation is correct: Send a brief pulse signal to the SS input; the control unit always performs an Opening manoeuvre first and therefore simply ensure that also the motor moves in the direction of opening.  
If this does not occur, proceed as follows:
  - a) disconnect control unit from the power supply;
  - b) rotate the motor power connector (l - **fig. 11**) and limit switch connector through 180° (g - **fig. 11**);
  - c) then power up the control unit and repeat the check from point 7.

The "OK" led on the control unit (**fig. 11**), serves to indicate the operating status of the latter:

- 1 regular flash every second = indicates that the internal microprocessor

is active and ready to receive commands.

- **1 quick double flash** = indicates when the microprocessor reads a variation in the operating status of an input (either of a control input or function dipswitch); this occurs then the detected variation does not have immediate effects.

- **1 very quick flash lasting 3 seconds** = indicates that the control unit has been powered up and is performing the test to check operating status.

- **1 flash at regular intervals** = indicates that the operating test has failed and that therefore a fault has been found.

## 5 PARAMETER SETTINGS

The control unit operating parameters can be adjusted by means of the trimmers (fig. 11) on the unit.

- **Work time (TL):** In Semi-automatic mode, this parameter sets the maximum duration of the *Opening* or *Closing* manoeuvre. To adjust this parameter, proceed as follows: **a)** select the "Semiautomatic" operating mode and position **Dip-Switch 1** at "ON"; **b)** position "Trimmer TL" to mid-travel; **c)** execute a complete *Opening* and *Closing* manoeuvre and check that the maximum duration set for the *Opening* and *Closing* manoeuvre is sufficient and that a margin of 2 or 3 seconds remains; if necessary repeat adjustment of "Trimmer TL" to set the maximum value. If the duration is still not sufficient, remove the jumper TLM in the vicinity of Trimmer TL (fig. 11), to obtain an "Extended Work Time" (TLM).

If the deceleration function is required, the trimmer must be set so that the deceleration phase starts at 50-70 cm before activation of the limit switches. Any modifications to this parameter are shown during the first *opening* manoeuvre following the modification.

- **Pause time (TP):** When set to "automatic" mode, this parameter sets the time that passes between the end of an *Opening* manoeuvre and the start of a *Closing* manoeuvre. To adjust this parameter, proceed as follows: **a)** select the "automatic" operating mode and position **Dip-Switch 2** at "ON"; **b)** position "Trimmer TP" as required; **c)** execute a complete *Opening* manoeuvre and check that the time that passes before the start of a *Closing* manoeuvre to ensure that the set time is correct.

- **Force (F): Caution** – Adjustment of this parameter has significant influence on the degree of automation safety and therefore great care must be taken during these procedures.

To adjust this parameter, proceed with a trial by error approach: Measure the force applied by the gate leaf during a manoeuvre and compare the reading with the values specified by local standards.

### Operating mode

**Step-step (SS):** This mode, **used in manual mode (hold-to-run)**, activates the *Opening* and *Closing* manoeuvres alternately and when the command completes the manoeuvre it stops.

The manoeuvre is stopped, both on *Opening* and *Closing*, when limit switches are activated and also during *Closing* the movement is stopped if there is no permissive of the "Foto" safety devices. On the other hand, if "ALT" is activated, either in *Opening* or *Closing*, the manoeuvre is stopped immediately with a brief inversion.

When the manoeuvre is stopped, the delivery of the command must be interrupted by sending another command.

However, when Step Step mode is used in one of the **automatic modes ("Semiautomatic", "Automatic" or "Always Close")** delivery of a command activates the *Opening* and *Closing* manoeuvre alternately and a "Stop" function is activated when a second command is delivered. On the other hand, if "ALT" is activated, either in *Opening* or *Closing*, the manoeuvre is stopped immediately with a brief inversion.

In the case of automatic mode, there is a pause after an *Opening* manoeuvre, after which the *Closing* manoeuvre is performed.

During a pause, if the "Foto" safety devices are activated, the timer is reset with a new pause Time; otherwise if "Alt" is activated during the pause, the automatic closure function is cancelled and a Stop is activated.

During the *Opening* manoeuvre activation of a "Foto" device has no effect, while during closure this causes inversion of movement followed by a pause and then Closure.

### Programmable functions

The control unit has a series of microswitches which enable activation of various functions to adapt the automation to the specific needs of the user and increase safety in the various conditions of use.

Dipswitch 1 or 2 is used to activate or deactivate the functions: To **activate** the dipswitch is set to "ON" and to **deactivate** it is set to "OFF".

Some of the functions available regard safety, and it is therefore important to carefully evaluate which function is the safest.

The dipswitches enable selection of the various operating modes and programming of the required functions, as described in **Table A:**

**Table A**

<b>Switch 1-2:</b>	<b>Off-Off</b>	Manual movement, <i>i.e. hold-to-run</i>
	<b>On-Off</b>	Semi-automatic movement
	<b>Off-On</b>	"Automatic" movement, <i>i.e. automatic closure</i>
	<b>On-On</b>	"Automatic" movement, + "Always Close"
<b>Switch 3:</b>	<b>On</b>	Apartment block mode ( <i>not available in manual mode</i> )
<b>Switch 4:</b>	<b>On</b>	pre-flash
<b>Switch 5:</b>	<b>On</b>	Re-close 5 seconds after "Foto" if set to "Automatic" or "Close after Foto" if set to "Semiautomatic"
<b>Switch 6:</b>	<b>On</b>	"Foto" safety also on <i>Opening</i>
<b>Switch 7:</b>	<b>On</b>	Gradual start-up
<b>Switch 8:</b>	<b>On</b>	Deceleration
<b>Switch 9:</b>	<b>On</b>	Brake
<b>Switch 10:</b>	<b>On</b>	Not used

### Switch 1-2

In "Manual" mode, the manoeuvre is executed exclusively while the command is present (while the transmitter key is held down -hold-to-run).

In "Semi-automatic" mode, on delivery of a command the manoeuvre is executed exclusively until the Work Time elapses or when the limit switch is reached.

In the case of "automatic" mode, there is a pause after an *Opening* manoeuvre, after which the *Closing* manoeuvre is performed.

The "Always Close" function is activated following a power failure; when power is restored, if the control unit detects the gate leaf in the *Opening* position, it automatically starts a *Closing* manoeuvre preceded by a 5-second pre-flash interval.

### Switch 3

In **Apartment Block mode**, when a Step-Step command is sent and an *Opening* manoeuvre is started, this cannot be interrupted by any other "Step-Step command or "Open" command via radio until the manoeuvre is completed.

However, during the *Closing* manoeuvre, delivery of a Step-Step command causes shutdown of the manoeuvre and immediate inversion of movement.

### Switch 4

When a command is sent, the flashing light is activated first, and after 5 seconds (2 seconds if set to Manual mode) the manoeuvre is started.

### Switch 5

This function, if set to "Automatic" mode enables the user to keep the gate leaf open only for the time required for transit of vehicles or persons; in fact after activation of the "Foto" safety devices, the manoeuvre is topped and after 5 seconds a *Closing* manoeuvre is started automatically.

However, if "Semi-automatic" mode is set, when the "Foto" safety devices are activated, during a *Closing* manoeuvre automatic closure is activated with a duration as set in the "Pause Time".

### Switch 6

The "Foto" safety function is normally activated only for *Closing* manoeuvres; if Dipswitch 6 is set to ON activation of the safety device also causes interruption of the manoeuvre in *Opening*. On the other hand, if "Semiautomatic" or "automatic" mode is set, the *Opening* manoeuvre is resumed immediately after the safety devices are released.

### Switch 7

When this function is set, the manoeuvre is started up gradually; this avoids possible jerks in movement of the automation.

### Switch 8

Deceleration consists in a 30% reduction of the nominal speed, to reduce the impact force at the end of a manoeuvre.

Once the deceleration function is enabled, the Work Time (WT) must be adjusted as the deceleration start depends on the set Work Time. Therefore the TL must be set so that the deceleration phase starts at 50-70 cm before activation of the limit switches.

The deceleration function slows down the automation speed and reduces motor torque by 70%. **CAUTION** – On automations requiring a high motor torque, this deceleration function may cause immediate shutdown of the motor.

### Switch 9

When this function is set, a motor braking procedure is performed at the end of a manoeuvre, initially at a moderate level and then stronger in order to quickly stop the gate leaf without jerking movements.

### Switch 10

Not used.

## • Installing an external aerial

If the aerial supplied is not in an optimal position and the radio signal is too weak, the installation of an external aerial is recommended (mod. ABF or ABFKIT). The new aerial must be placed as high as possible above any metal or reinforced concrete structures present in the area.

## • Connection to the control unit

To connect the receiver to the control unit, use a coaxial cable with an impedance of 50 Ohm (e.g. RG58 cable with low voltage drops). **Caution!**– To reduce signal dispersion, use a short cable (do not exceed 10 m).

## WARNINGS for programming

• Programming operations in this chapter require use of key “c” and the Led “n” (fig. 11) present on the receiver. The Led, indicates the status of operations in progress, emitting a specific number of flashes of a set duration. Table C describes the meanings of the flashes.

• Always read the **procedure first** and **then perform the operations in the correct sequence.**

**CAUTION!**– Before memorising a transmitter, carefully read the following section.

The receiver can only memorise the transmitters belonging to one of the following 3 encoding families:

- families consisting of “O-Code”, “FloR” and “TTS” encoding;
- family consisting of “Flo” encoding;
- family consisting of “Smilo” encoding.

**Note** – On the receiver, each code enables use only of the functions specific to that type of encoding.

**Caution!**– The encoding family of the first transmitter memorised on the receiver also defines the family to which the following memorised transmitters must belong.

To modify the encoding family on the receiver, the procedure “Total deletion of receiver memory” must be performed.

To verify whether the transmitters are already memorised on the receiver and the relative encoding family, proceed as follows:

01. Disconnect the receiver electric power supply.
02. Restore the receiver power supply and count the number of green flashes emitted by the receiver led.
03. Then compare the number of flashes counted with the values in the table below:
  - 1 flash = Flo encoding
  - 2 flashes = O-Code / FloR / TTS encoding
  - 3 flashes = Smilo encoding
  - 5 flashes = no transmitter entered

**Caution!** – Before starting the transmitter memorisation procedure, carefully read all memorisation procedures described below to select the most suitable method.

## 6.1 - Transmitter memorisation modes: “Mode I” and “Mode II”

In general, the combination of these commands and keys on a transmitter can be made in two ways:

- **Mode I:** This mode enables memorisation of all transmitters keys or just a group of the latter on the receiver in a single process (only on transmitters with more than one identity code, such as ON9 models). In this mode the transmitter codes are automatically associated with the commands pre-set on the control unit.
- **Mode II:** This mode enables memorisation of a single transmitter key on the receiver. The user can select which command to be programmed from those available on the control unit (maximum 4).

### “Mode I” memorisation procedure

**Warning** – This procedure memorises all transmitter keys or one group of keys at the same time.

01. Press and hold the receiver key until the **green** led illuminates on the receiver. Then release the key.
02. Within 10 seconds, press and hold any key on the transmitter to be memorised, until the led on the receiver emits the first of 3 green flashes to confirm memorisation.

**Note** – At the end of the 3 flashes, there are an additional 10 seconds to memorise other transmitters.

### “Mode II” memorisation procedure

**Warning** – The procedure memorises a single key of the transmitter.

Therefore the programming procedure must be repeated for each transmitter key to be memorised.

01. Refer to the “Controls Table” to select the commands available; select the command to assign to the transmitter key to be memorised and then note the number corresponding to the command.
02. On the receiver, press the key the same number of times as the number of the command (previously noted) and the receiver led emits the same number of repeated flashes.
03. (on the transmitter, within 10 seconds), press and hold the transmitter key to be memorised, until the led on the receiver emits the first of 3 green flashes to confirm memorisation.

**Note** – After the 3 flashes, there are an additional 10 seconds to memorise the same command on other keys of the same transmitter or a new transmitter.

## Controls table

Output 1 = **STEP STEP**

Output 2 = **ALT**

Output 3 = **OPEN**

Output 4 = **CLOSE**

## 6.2 - Memorisation of a new transmitter with procedure in the vicinity of the receiver [a transmitter already memorised must be available]

A NEW transmitter can be memorised in the receiver memory without acting directly on key of the receiver, but by simply working within its reception range. To use this procedure, an OLD transmitter, previously memorised (in Mode I or Mode II) and operative, is required. The procedure enables the NEW transmitter to receive the settings of the OLD version.

### Warnings:

- **Warning** – The procedure must be performed within the reception range of the receiver (10-20 m from receiver).
- Therefore the programming procedure must be repeated for each transmitter key to be memorised.

One of the following procedures can be used, as required:

### Standard procedure

01. On the NEW transmitter, press and hold the key \*\* for at least 5 seconds (**note 1**) and then release.
02. On the OLD transmitter press the key \*\* three times (**note 2**) and then release.
03. On the NEW transmitter, press the same key pressed in point 01 once and then release.

### Alternative procedure

01. On the NEW transmitter, press and hold the key \*\* for at least 3 seconds... (**note 1**) and then release.
02. On the OLD transmitter, press and hold the key \*\* for at least 3 seconds... (**note 2**) and then release.
03. On the NEW transmitter, press and hold the same key pressed in point 01 for at least 3 seconds and then release.
04. On the OLD transmitter, press and hold the same key pressed in point 02 for at least 3 seconds until the green led L1 on the receiver emits 3 flashes to confirm memorisation.

**Note 1** – Press any key, if the OLD transmitter is memorised in “Mode I” or press the key to be memorised if the OLD transmitter is memorised in “Mode II”.

**Note 2** – Press any key, if this transmitter is memorised in “Mode I” or press the key with the command to be transferred, if this transmitter is memorised in “Mode II”.

## 6.3 - Total deletion of receiver memory

To delete all memorised transmitters from the receiver memory, or all data stored, proceed as follows:

01. Press and hold the receiver key until the **green** led illuminates and check the variations in led status:
  - after approx. 4 seconds, the green led illuminates;
  - then, after approx. 4 seconds, the green led turns off;
  - lastly, after approx. 4 seconds, the green led starts flashing.
02. At this point, to delete all transmitters release the key **precisely on the 3rd flash** of the green led; otherwise to delete the entire memory of the receiver (including configurations and transmitter encoding family) release the key **precisely on the 5th flash** of the green led.



**CAUTION!** – All operations in this chapter must be performed exclusively by skilled and qualified personnel, in observance of the instructions in the manual, and current local legislation and safety standards in the place of installation.

These are the most important phases of automation set-up to ensure maximum system safety. The testing procedure described can also be performed as a periodic check of automation devices.

Testing and commissioning of the automation must be performed by skilled and qualified personnel, who are responsible for the tests required to verify the solutions adopted according to the risks present, and for ensuring observance of all legal provisions, standards and regulations: and in particular all requirements of the standard EN 12445, which establishes the test methods for checking automations for gates.

### 7.1 - Automation testing

Each automation component, such as sensitive edges, photocells, emergency stop, etc., requires a specific testing phase; for these devices take care to follow the procedures specified in the respective instruction manual. To test, proceed as follows:

- 1 Ensure that all specifications in the chapter "GENERAL SAFETY PRECAUTIONS AND WARNINGS" regarding safety have been strictly observed;
- 2 Release the gearmotor by means of the special release key (refer to the paragraph "Manually releasing or locking the gearmotor" in the "Operation manual");
- 3 Ensure that the gate leaf can be moved manually both in opening and closing;
- 4 Then lock the gearmotor by means of the special key (refer to the paragraph "Manually releasing or locking the gearmotor");
- 5 Using the control or stop devices of the automation (key-operated selector switch, control pushbuttons, transmitters, etc.) perform gate opening and closing tests, ensuring that the leaf movement corresponds to specifications. Test several times to assess smooth operation of the gate and check for any defects in assembly or adjustment and any possible points of friction;
- 6 Check operation of all system safety devices one at a time (photocells, sensitive edges, etc.) and ensure that automation behaviour corresponds to specifications. Each time a safety device is activated, the OK led on the control unit must emit 2 quick flashes, to confirm acknowledgement of the event by the control unit;
- 7 Measure the impact force as specified in the standard EN 12445. If the motor force control is used by the control unit as an auxiliary function for reduction of impact force, adjust the functions to identify the setting that obtains the best results;
- 8 Permanently affix a label in the zone adjacent to the automation describing how to manually release the gearmotor.

### 7.2 - Automation commissioning

**Commissioning can only be performed after positive results of all test phases. Partial or "makeshift" commissioning is strictly prohibited.**

- 1 Prepare the automation technical documentation (to be conserved for at least 10 years), which must contain the following documents: an overall layout diagram of the automation, electrical wiring diagram, risk assessment and relative solutions adopted, manufacturer's declaration of conformity for all devices used and the declaration of conformity compiled by the installer, copy of instruction manual for operation and the automation maintenance schedule;
- 2 Affix a dataplate on the door, specifying at least the following data: type of automation, name and address of manufacturer (responsible for commissioning), serial number, year of construction and CE mark;
- 3 Prepare and provide the automation owner with the declaration of conformity; the form "**CE Declaration of conformity**" must be compiled for this purpose;
- 4 Prepare and provide the automation owner with the form "**Operation manual**";
- 5 Prepare and provide the owner with the form "**Maintenance schedule**", containing all maintenance instructions for all devices in the automation;
- 6 Before commissioning the automation, ensure that the owner is adequately informed of all associated risks and hazards.

## PRODUCT DISPOSAL

**This product is an integral part of the automation and therefore must be disposed together with the latter.**

As in installation, also at the end of product lifetime, the disassembly and scrapping operations must be performed by qualified personnel.

This product comprises various types of materials: some may be recycled others must be disposed of. Seek information on the recycling and disposal systems envisaged by the local regulations in your area for this product category.

**CAUTION!** – some parts of the product may contain pollutant or hazardous substances which, if disposed of into the environment, may cause serious damage to the environment or physical health.

As indicated by the symbol alongside, disposal of this product in domestic waste is strictly prohibited. Separate the waste into categories for disposal, according to the methods envisaged by current legislation in your area, or return the product to the retailer when purchasing a new version.



**CAUTION!** – Local legislation may envisage serious fines in the event of abusive disposal of this product.

## PERIODIC MAINTENANCE OPERATIONS

In general, this product does not require special maintenance; however, regular checks over time will ensure system efficiency and correct operation of the safety systems installed

The automation requires periodic maintenance to ensure optimal operation, extended lifetime and complete safety. Automation maintenance must be scheduled at regular intervals. Scheduled routine maintenance must be performed at the latest every 6 months.

To perform maintenance checks, proceed as follows.

**CAUTION!** - **Disconnect all electric power sources before performing any checks.**

- Check all automation components for wear; with special attention to the phenomena of erosion or oxidation of structural parts; if necessary replace parts that show reduced efficiency.
- Check the moving parts for wear: Pinion, rack, and all parts making up the gate leaf; replace worn parts as necessary.
- On completion of the maintenance checks, reconnect the electric power supply and perform all tests and checks as envisaged in chapter 4.



## TECHNICAL SPECIFICATIONS OF PRODUCT

**CAUTIONS:** • The technical features set out refer to an ambient temperature of 20°C (± 5°C). • Nice S.p.a. reserves the right to make alterations to the product any time it deems it necessary, keeping the same functionality and destination of use.

■ Mains power supply	230 Vac 50 Hz
■ Motor	Asynchronous-single phase
■ Limit switch type	Electromechanical
■ Max. power absorption	350 W (peak 500 W)
■ Line Absorption	1.6 A
■ Built-in capacitor	14 µF
■ Protection rating	IP 44
■ Maximum torque (corresponding to force)	35 Nm (1100 N)
■ Nominal torque (corresponding to force)	12 Nm (360 N)
■ Nominal speed	0.16 m/s
■ Thermal protection	140 °C
■ Maximum leaf weight	1500 Kg
■ Maximum leaf length	12 m
■ Max. No. Cycles per hour	15 (leaf 6 metres)
■ Max. No. consecutive Cycles	5
■ Dimensions	335 x 203 x h 275 mm
■ Weight	11.5 Kg
■ Max. Service current 24 V	150 mA (voltage can vary by ± 25%)
■ Flashing light output	For connection of flashing light to power mains (Max. power 40 W)
■ Operating temperature	From -20 °C to +50 °C
■ Work time	Adjustable from 2.5 to > 40 s., or from < 40 to > 80 s. with TLM
■ Pause time	Adjustable from 5 to > 80 s.
■ Decoding	“O-Code” / “FloR” / “TTS”; or Flo”; or “Smilo”
■ Reception frequency	433.92 MHz
■ Sensitivity	Better than 0.5 V
■ Input impedance	52 ohm

# OPERATION MANUAL

(to deliver to the automation user)

**IMPORTANT** – This instruction sheet contains important information regarding safety; take care to read all instructions before using the product. Keep this manual in a safe place to enable future use.

## SAFETY WARNINGS AND PRECAUTIONS

**NEVER touch parts of the automation while the gate is moving!**

- Before using the automation for the first time, take care to read this operation manual provided by the automation installer. Also ensure that you are fully informed of all origins of residual risks.

- Keep the manual for consultation when in doubt and ensure supply to new owners of the automation.

- Your automation is a machine that performs commands imparted by the user; negligent or improper use may constitute a hazard. Never activate automation controls if persons, animals or objects are present in the operating range.

- **Children:** this automation system guarantees a high level of safety, using special detection devices to prevent movement in the presence of persons or objects . thereby guaranteeing constant foreseeable and safe activation. However, it is advisable to ensure that children do not play in the vicinity of the automation. To avoid inadvertent activation, and remote controls should always be kept out of reach. (the transmitter is not a toy!).

- Check the automation frequently to detect possible imbalance, signs of wear or damage. Suspend use immediately if maintenance is required.

- Periodically check correct operation of the photocells and perform the scheduled maintenance at least every six months.

- Photocells do not constitute actual safety devices, but safety aids. They are designed using highly reliable technology, but in extreme conditions may be subject to malfunctions or potential faults. **CAUTION!**– In certain cases these faults are not immediately evident.

**Never pass the transit area while the gate is moving!**

- If any anomalous condition is noted on the automation, disconnect the power supply from the system immediately. Never attempt to repair the automation alone; contact your local installer for assistance. In the meantime the system can be used with manual Opening and Closing by manually releasing the gearmotors as described in this manual.

- In the event of a power failure, on restoral of power the first manoeuvre command will be executed at low speed, regardless of the type of speed set.

- Even if you possess the skills, never modify the system or automation programming and adjustment parameters: This is the responsibility of the automation installer.

- Testing, periodic maintenance and any repairs must be documented by the person performing the operations and the relative documents must be kept by the system owner.

- At the end of the automation's lifetime, ensure that it is disposed by qualified personnel and that the materials are recycled or scrapped according to current standards in the place of use.

## MANUALLY RELEASING OR LOCKING THE GEARMOTOR

The gearmotor is equipped with a mechanical system that enables manual opening and closing of the gate.

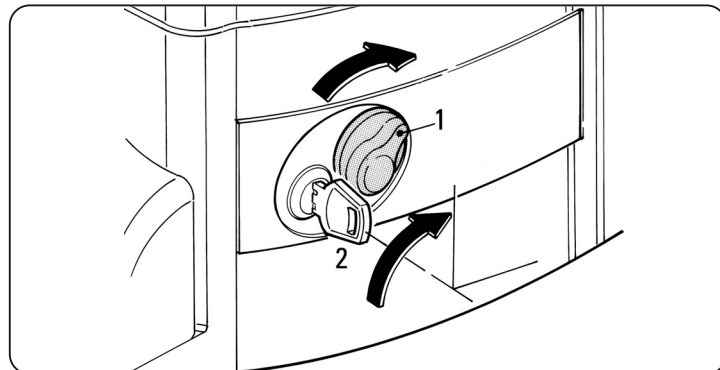
These manual operations must be performed in the event of a power failure or system malfunctions. In the latter case, use of the release mechanism may be useful also to check whether the fault is linked to the mechanism itself (e.g. it may be incorrectly tightened).

To manually release the gearmotor, use the release key supplied as follows:

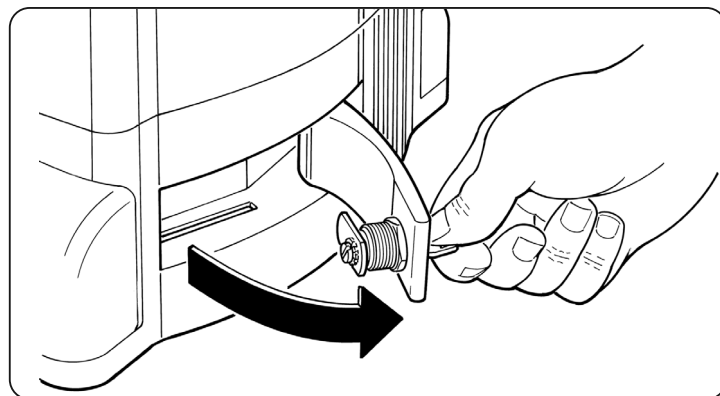
**01.** Turn the lock cover;

**02.** Insert the key in the relative release pin;

**03.** Turn the key clockwise through 90° and pull the handle towards you;



**04.** At this point the gate leaf can be moved manually to the required position.



**05.** To restore normal automation operation, close the handle, turn the key anti-clockwise on the release pin and manually move the gate leaf until you hear the leaf engage mechanically with the drive mechanism.

**06.** Then remove the key from the release pin and store in a safe place.



## 1 AVVERTENZE E PRECAUZIONI GENERALI PER LA SICUREZZA

### OPERARE IN CONDIZIONI DI SICUREZZA!

• **ATTENZIONE! – Istruzioni importanti: conservare queste istruzioni per eventuali interventi futuri di manutenzione o di smaltimento del dispositivo.**

• **ATTENZIONE! – Tutte le operazioni di installazione, di collegamento, di programmazione e di manutenzione del dispositivo devono essere effettuate esclusivamente da un tecnico qualificato!**

Considerando i pericoli che si possono verificare durante l'installazione e l'uso, per la massima sicurezza è necessario che l'installazione avvenga nel pieno rispetto di leggi, norme e regolamenti. In questo capitolo verranno riportate avvertenze di tipo generico; altre importanti avvertenze sono presenti nei capitoli "3 - Installazione" e "7 - Collaudo e messa in servizio".

**Secondo la più recente legislazione europea, l'automazione di una porta o cancello ricade in quanto previsto dalla Direttiva 98/37/CE (Direttiva Macchine) e nel particolare, alle norme: EN 13241-1 (norma armonizzata); EN 12445; EN 12453 ed EN 12635, che consentono di dichiarare la conformità alla direttiva macchine.**

Ulteriori informazioni, linee guida all'analisi dei rischi ed alla realizzazione del Fascicolo Tecnico, sono disponibili su [www.niceforyou.com](http://www.niceforyou.com). Il presente manuale, escluso l'allegato staccabile "Manuale per l'uso" a cura dell'installatore, è destinato esclusivamente a personale tecnico qualificato per l'installazione, nessun'altra informazione contenuta nel presente fascicolo può essere considerata d'interesse per l'utilizzatore!

• L'utilizzo del prodotto diverso da quello descritto nel presente manuale è vietato; usi impropri possono essere causa di pericoli o danni a persone e cose.

• Prima di iniziare l'installazione è necessario eseguire l'analisi dei rischi che comprende l'elenco dei requisiti essenziali di sicurezza previsti nell'allegato I della Direttiva Macchine, indicando le relative soluzioni adottate.

Si ricorda che l'analisi dei rischi è uno dei documenti che costituiscono il fascicolo tecnico dell'automazione.

• Verificare la necessità di ulteriori dispositivi per completare l'automazione in base alla specifica situazione d'impiego ed ai pericoli presenti; devono essere considerati ad esempio i rischi di impatto, schiacciamento, cesoia-mento, convogliamento, ecc., ed altri pericoli in genere.

• Non eseguire modifiche su nessuna parte se non previste nelle presenti istruzioni; operazioni di questo tipo possono solo causare malfunzionamenti; NICE declina ogni responsabilità per danni derivati da prodotti modificati.

• Durante l'installazione e l'uso evitare che parti solide o liquidi possano penetrare all'interno della centrale e di altri dispositivi aperti; eventualmente rivolgersi al servizio di assistenza NICE; l'uso in queste situazioni può causare situazioni di pericolo

• L'automatismo non può essere utilizzato prima di aver effettuato la messa in servizio come specificato nel capitolo 5 "Collaudo e messa in servizio".

• Il materiale dell'imballaggio deve essere smaltito nel pieno rispetto della normativa locale.

• Nel caso di guasto non risolvibile facendo uso delle informazioni riportate nel presente manuale, interpellare il servizio di assistenza NICE.

• Qualora si verificano interventi di interruttori automatici o di fusibili, prima di ripristinarli è necessario individuare ed eliminare il guasto.

• Prima di accedere ai morsetti interni al coperchio scollegare tutti i circuiti di alimentazione; se il dispositivo di sconnessione non è a vista apporvi un cartello: "ATTENZIONE MANUTENZIONE IN CORSO".

Avvertenze particolari sull'idoneità all'uso di questo prodotto in relazione alla Direttiva "Macchine" 98/37/CE (ex 89/392/CEE):

• Questo prodotto viene immesso sul mercato come "componente di macchina" e quindi costruito per essere incorporato in una macchina o per essere assemblato con altri macchinari al fine di realizzare "una macchina" ai sensi della Direttiva 98/37/CE solo in abbinamento agli altri componenti e nei modi così come descritto nel presente manuale di istruzioni. Come previsto dalla direttiva 98/37/CE si avverte che non è consentita la messa in servizio di questo prodotto finché il costruttore della macchina, in cui questo prodotto è incorporato, non l'ha identificata e dichiarata conforme alla direttiva 98/37/CE.

Avvertenze particolari sull'idoneità all'uso di questo prodotto in relazione

alla Direttiva "Bassa Tensione" 2006/95/CEE:

• Questo prodotto risponde ai requisiti previsti dalla Direttiva "Bassa Tensione" se impiegato per l'uso e nelle configurazioni previste in questo manuale di istruzioni ed in abbinamento con gli articoli presenti nel catalogo prodotti di Nice S.p.a. Potrebbero non essere garantiti i requisiti se il prodotto è usato in configurazioni o con altri prodotti non previsti; è vietato l'uso del prodotto in queste situazioni finché chi esegue l'installazione non abbia verificato la rispondenza ai requisiti previsti dalla direttiva.

Avvertenze particolari sull'idoneità all'uso di questo prodotto in relazione alla Direttiva "Compatibilità Elettromagnetica" 2004/108/CEE:

• Questo prodotto è stato sottoposto alle prove relative alla compatibilità elettromagnetica nelle situazioni d'uso più critiche, nelle configurazioni previste in questo manuale di istruzioni ed in abbinamento con gli articoli presenti nel catalogo prodotti di Nice S.p.a. Potrebbe non essere garantita la compatibilità elettromagnetica se il prodotto è usato in configurazioni o con altri prodotti non previsti; è vietato l'uso del prodotto in queste situazioni finché chi esegue l'installazione non abbia verificato la rispondenza ai requisiti previsti dalla direttiva.

## 2 DESCRIZIONE DEL PRODOTTO E DESTINAZIONE D'USO

**TH1500** è destinato all'automatizzazione di un cancello scorrevole per uso residenziale. **Qualsiasi altro uso diverso da quello descritto e in condizioni ambientali diverse da quelle riportate in questo manuale è da considerarsi improprio e vietato!**

Il motoriduttore è composto da un motore in corrente alternata a 230 V, un pignone e una Centrale di comando.

La Centrale alimenta tutti i dispositivi presenti nell'impianto, gestendone la loro operatività. È formata da una scheda e un ricevitore radio multicode incorporato, che riceve i comandi inviati da un trasmettitore. Sono disponibili varie funzioni che permettono di personalizzare l'uso dell'automazione.

L'automatismo permette l'installazione di vari accessori che ne aumentano la funzionalità e ne garantiscono la sicurezza.

Il prodotto funziona tramite alimentazione elettrica di rete e, in caso d'interruzione dell'energia elettrica (*black-out*), è possibile sbloccare manualmente il motoriduttore per poter muovere 'a mano' il cancello.

## 3 INSTALLAZIONE

### 3.1 - Verifiche preliminari all'installazione

Prima di procedere all'installazione, è necessario verificare l'integrità dei componenti del prodotto, l'adeguatezza del modello scelto e l'idoneità dell'ambiente destinato all'installazione.

**IMPORTANTE – Il motoriduttore non può automatizzare un cancello manuale che non abbia una struttura meccanica efficiente e sicura. Inoltre, non può risolvere i difetti causati da una sbagliata installazione o da una cattiva manutenzione del cancello stesso.**

### 3.2 - Idoneità dell'ambiente e del cancello da automatizzare

• Verificare che la struttura meccanica del cancello sia adatta ad essere automatizzata e conforme alle norme vigenti sul territorio (*eventualmente fare riferimento ai dati riportati sull'etichetta del cancello*).

• Verificare che peso e dimensioni dell'anta rientrino nei limiti d'impiego riportati nel paragrafo 3.3 "Limiti d'impiego".

• Verificare, facendo riferimento ai valori riportati nel capitolo "Caratteristiche tecniche del prodotto", che:

- la forza necessaria per far muovere l'anta del cancello, sia inferiore alla metà del valore della forza corrispondente alla "Coppia massima";

- la forza necessaria per mantenere in movimento l'anta del cancello, sia inferiore alla metà del valore della forza corrispondente alla "Coppia nominale". *Nota – Per impostare il valore della forza, si consiglia di utilizzare un margine del 50%; questo, perché le condizioni climatiche avverse potrebbero far aumentare gli attriti.*

• Muovendo manualmente l'anta del cancello in *Apertura* e *Chiusura*, verificare che il movimento avvenga con attrito uguale e costante in ogni punto della corsa (*non devono esserci momenti di maggiore sforzo*).

- Verificare che l'anta del cancello resti in equilibrio cioè, non si muova, se portata manualmente in una qualsiasi posizione e lasciata ferma.

- Verificare che non sia presente un pericolo di fuoriuscita dalle guide dell'anta del cancello.

- Verificare che la zona di fissaggio del motoriduttore non sia soggetta ad allagamenti; eventualmente, prevedere l'installazione del motoriduttore in una posizione rialzata da terra.

- Verificare che intorno al motoriduttore ci sia lo spazio sufficiente per effettuare la manovra manuale di sblocco.

- Verificare che i punti di schiacciamento tra l'anta del cancello e le parti fisse di quest'ultimo siano protetti, durante le manovre di Apertura e di Chiusura.

- Verificare che le superfici scelte per l'installazione dei vari dispositivi siano solide e possano garantire un fissaggio stabile. In particolare, verificare che le superfici scelte per il fissaggio delle fotocellule siano piane e permettano un corretto allineamento tra le fotocellule stesse.

- Verificare che ciascun dispositivo da installare sia collocato in una posizione protetta e al riparo da urti accidentali.

- Verificare che l'intervallo della temperatura di funzionamento indicato sull'etichetta del prodotto, sia compatibile con le caratteristiche climatiche del luogo nel quale quest'ultimo viene installato.

- Se l'anta del cancello incorpora una porta di passaggio oppure questa porta è posizionata sull'area di movimento dell'anta, occorre assicurarsi che questa non impedisca la normale corsa dell'anta; se necessario, installare un sistema di interblocco compatibile.

- Collegare la centrale ad una linea di alimentazione elettrica dotata di messa a terra di sicurezza.

- Prevedere, sulla linea di alimentazione dall'automatismo, un dispositivo di disconnessione dalla rete elettrica di alimentazione; questo, per garantire una distanza di apertura dei contatti, che consenta la disconnessione completa nelle condizioni della categoria di sovratensione III. Se il dispositivo di sconnessione dell'alimentazione non è in prossimità dell'automazione è necessario disporre di un sistema di blocco contro la connessione non intenzionale o non autorizzata.

### 3.3 - Limiti d'impiego del prodotto

Per stabilire l'idoneità del prodotto rispetto alle peculiarità del vostro cancello e alle specificità del contesto da automatizzare, è necessario effettuare le verifiche riportate di seguito e controllare la loro conformità sia con i dati presenti in questo paragrafo, sia con i dati tecnici del capitolo "Caratteristiche tecniche del prodotto".

- Verificare che l'anta del cancello abbia dimensioni e peso rientranti nei seguenti limiti:

**lunghezza massima 14 m**

**peso massimo 1500 kg**

- Verificare le misure dell'ingombro totale del motoriduttore facendo riferimento alla fig. 1. *Nota* – Queste misure servono anche come riferimento per calcolare lo spazio che occuperà lo scavo di fondazione per il passaggio delle canaline dei cavi elettrici.

- Verificare che nella zona stabilita per il fissaggio del motoriduttore ci sia lo spazio sufficiente per collocarlo.

- Verificare sull'anta del cancello che nei punti dove è previsto il fissaggio della cremagliera ci sia una superficie idonea e solida.

**Attenzione!** – Se il risultato di queste verifiche non è conforme a quanto prescritto, il presente modello non può essere usato per automatizzare il vostro cancello.

### 3.4 - Lavori preliminari di predisposizione

La fig. 2 mostra un esempio di impianto di automatizzazione realizzato con i componenti Nice. Questi componenti sono posizionati secondo lo schema tipico e usuale.

Facendo riferimento alla fig. 2, stabilire la posizione approssimativa in cui verrà installato ciascun componente previsto nell'impianto.

**Avvertenza** – I dispositivi di comando di tipo "fisso" devono essere posizionati in vista del cancello ma lontano dalle sue parti mobili.

Il motoriduttore è impostato in fabbrica per essere installato alla destra del cancello. **ATTENZIONE!** – Se si è costretti ad installare il motoriduttore alla sinistra del cancello fare riferimento alle istruzioni riportate nel capitolo 4 (paragrafo 4.1 - punto 07).

**Componenti utili per realizzare un impianto completo (fig. 2):**

1 - motoriduttore elettromeccanico

2 - coppia di fotocellule

3 - selettore a chiave o tastiera digitale

4 - segnalatore lampeggiante con antenna incorporata

5 - staffe di finecorsa

6 - cremagliera

7 - colonne per fotocellule

Prima di iniziare l'installazione del prodotto, assicurarsi di avere a disposizione tutti gli attrezzi e i materiali necessari per effettuare il lavoro. Inoltre, verificare che questi siano in buone condizioni e conformi a quanto previsto dalle normative locali sulla sicurezza.

Effettuare i lavori di scavo delle tracce per i tubi dei cavi elettrici o, in alternativa, i lavori di posa di canaline esterne; quindi, il fissaggio nel calcestruzzo dei suddetti tubi e tutte le altre preparazioni, utili a predisporre l'ambiente alle successive operazioni di installazione.

**In particolare, per effettuare lo scavo della piazzola per l'ancoraggio del motoriduttore al terreno, procedere nel modo seguente:**

**01.** Eseguire lo scavo di fondazione nella posizione in cui verrà fissato il motoriduttore. **Nota** – Le dimensioni dello scavo devono essere uguali o maggiori delle misure della piastra di fondazione.

**02.** Predisporre le canaline per il passaggio dei cavi elettrici.

**ATTENZIONE!** – In generale, posizionare le estremità dei tubi per il passaggio dei cavi elettrici in prossimità dei punti in cui è stato previsto il fissaggio dei vari dispositivi.

**Nota:** I tubi hanno lo scopo di proteggere i cavi elettrici ed evitare rotture accidentali, ad esempio in caso di urti.

Per preparare i cavi elettrici necessari al vostro impianto, fare riferimento alla fig. 10-10a e alla "Tabella 1 - Caratteristiche tecniche dei cavi elettrici".

**Tabella 1: Caratteristiche tecniche dei cavi elettrici**

Collegamento	Tipo di cavo	Lunghezza massima consentita
<b>A:</b> Cavo ALIMENTAZIONE	cavo 3 x 1,5 mm <sup>2</sup>	30 m (nota 1)
<b>B:</b> Cavo LAMPEGGIANTE con antenna	cavo 2 x 0,5 mm <sup>2</sup> cavo schermato tipo RG58	30 m 20 m (consigliato minore di 5m)
<b>C:</b> Cavo FOTOCELLULE	cavo 2 x 0,5 mm <sup>2</sup> (TX) cavo 4 x 0,25 mm <sup>2</sup> (RX)	30 m 30 m
<b>D:</b> Cavo SELETORE A CHIAVE o TASTIERA DIGITALE	cavi 4 x 0,25 mm <sup>2</sup>	30 m

**Nota generale:** i cavi necessari alla realizzazione dell'impianto (non presenti nella confezione) possono variare in base alla quantità e alla tipologia dei componenti previsti nell'impianto.

**Nota 1:** se serve una lunghezza maggiore, è possibile utilizzare un cavo di diametro 3 x 2,5 mm<sup>2</sup>; in questo caso, è necessaria una messa a terra di sicurezza in prossimità dell'automazione.

**ATTENZIONE!** – I cavi utilizzati devono essere adatti al tipo di ambiente in cui avviene l'installazione; ad esempio, per ambienti interni, si consiglia di usare cavi di tipo H03VV-F e, per ambienti esterni, si consiglia di usare cavi di tipo H07RN-F.

### 3.5 - Installare i componenti dell'automazione

#### AVVERTENZE

- Un'installazione errata può causare gravi ferite alla persona che esegue il lavoro e alle persone che useranno l'impianto.

- Prima di iniziare l'assemblaggio dell'automazione, fare le verifiche preliminari descritte nei paragrafi "3.2 - Idoneità dell'ambiente e del cancello da automatizzare" e "3.3 - Limiti d'impiego del prodotto".

- Prevedere una o più guaine per il passaggio dei cavi elettrici.

#### Fissaggio della piastra di fondazione

**01.** Avvitare a mano per ognuna delle 4 zanche in dotazione 1 dado M 12 basso per tutto il filetto.

**02.** Infilare le quattro zanche nella piastra di fondazione (fig. 3);

**03.** Prevedere una o più guaine per il passaggio di cavi elettrici;

**04.** Inserire nel calcestruzzo la piastra avendo cura di metterla perfettamente in bolla.

È importante rispettare la distanza della piastra di fondazione dalla cremagliera (bisogna quindi sapere anzi tempo se sarà saldata al cancello oppure fissata con viti e distanziali), in modo da poter usufruire del fissaggio asolato del motoriduttore (fig. 4).

#### Installazione del motoriduttore

**01.** Togliere il coperchio al motoriduttore svitando con un cacciavite le viti poste ai lati (fig. 5). **Nota** – Si consiglia di lasciare il motoriduttore sen-

za coperchio fino a quando saranno terminate le fasi di installazione e programmazione;

02. Togliere le due alette copritivi tirandole verso l'alto (fig. 6);
03. Appoggiare TH1500 sulla piastra di fondazione murata preventivamente;
04. Avvitare i 4 dadi bassi qualora si voglia regolare in altezza (max 10 mm) il motoriduttore, altrimenti non utilizzarli (fig. 7);
05. Inserire le 4 rondelle;
06. Bloccare energeticamente con chiave da mm 19 i dadi M 12 e gli eventuali controdadi bassi;
07. Inserire le due alette copritivi (estetiche) facendo pressione dell'alto al basso;
08. Sbloccare il motoriduttore con l'apposita chiave (fare riferimento al paragrafo "Bloccare o Sbloccare manualmente il motoriduttore" del "Manuale d'uso");
09. Portare manualmente l'anta del cancello in posizione di massima Apertura e, posizionare il primo tratto di cremagliera sopra il pignone del motoriduttore. **Importante:** - la lunghezza totale della cremagliera deve essere uguale alla lunghezza dell'anta del vostro cancello; - la distanza tra il pignone e la cremagliera deve essere di circa 1-2 mm, per evitare che il peso dell'anta possa gravare sul motoriduttore.
10. A questo punto, fissare la cremagliera sull'anta (fare riferimento al manuale istruzioni della cremagliera).
11. Far scorrere manualmente l'anta per fissare gli altri pezzi della cremagliera: usare come punto di riferimento il pignone e utilizzare una livella per posizionare ogni tratto di cremagliera in modo orizzontale e perfettamente allineato con l'estremità che è appoggiata al pignone. **Nota** - Per fissare provvisoriamente i pezzi di cremagliera all'anta, è possibile utilizzare delle morse come mostrato in fig. 8.
12. La cremagliera non deve sporgere rispetto all'anta del cancello, quindi, se necessario tagliare la parte eccedente di quest'ultima.
13. Effettuare manualmente alcune Aperture e Chiusure, dell'anta del cancello, per verificare che la cremagliera scorra sul pignone in modo regolare per tutta la sua lunghezza. Inoltre, verificare che la distanza tra il pignone e la cremagliera deve essere di circa 1-2 mm.
14. Posizionare, approssimativamente, le due staffe di finecorsa sulla cremagliera (fig. 9) ed agendo manualmente sul cancello, procedere al fissaggio definitivo.
15. Fissare le staffe di finecorsa, procedendo nel modo seguente:
  - a) portare manualmente l'anta in posizione di Apertura, lasciando almeno una distanza di 2-3 cm dall'arresto meccanico.
  - b) far scorrere la staffa di finecorsa sulla cremagliera, nel senso dell'Apertura, fino a quando interviene il finecorsa. Quindi, far avanzare la staffa di almeno 2 cm e, di seguito bloccarla alla cremagliera con i grani in dotazione.
  - c) eseguire la stessa operazione per fissare il finecorsa di Chiusura.
16. Infine, bloccare il motoriduttore con l'apposita chiave (fare riferimento al capitolo "Bloccare o Sbloccare manualmente il motoriduttore").

- I - Connettore uscita alimentazione motore
- m - Morsettiera di alimentazione
- n - Led segnalazione radio
- o - Fusibile di bassa tensione (315 mA F)
- p - Trimmer di regolazione della forza (F)
- q - Led "OK"
- r - Trasformatore
- s - Fusibile di linea (5A F)

### ATTENZIONE!

- Per evitare le situazioni di pericolo, durante le operazioni di collegamento, la Centrale di comando non deve essere alimentata.
- Un collegamento errato può provocare guasti o situazioni di pericolo; quindi, rispettare scrupolosamente i collegamenti indicati.
- Esistono delle normative precise da rispettare rigorosamente, sia riguardanti la sicurezza degli impianti elettrici sia riguardanti i cancelli automatici.

Per effettuare i collegamenti elettrici, occorre togliere il coperchio alla Centrale di comando come mostrato in fig.12 e procedere facendo riferimento alla fig. 11 e al paragrafo "Descrizione dei collegamenti elettrici". In fine, fissare il cavo di alimentazione con l'apposito pressacavo (fig. 13).

Per una corretta sicurezza elettrica e un buon funzionamento dell'automazione è necessario effettuare il collegamento a terra nel morsetto indicato in fig. 11.

### Descrizione dei collegamenti elettrici

Di seguito sono descritti i possibili collegamenti della Centrale di comando per i dispositivi di comando e di sicurezza:

Morsetti	Funzione	Descrizione
1 - 2 - 3	Alimentazione	Linea di alimentazione da rete
4 - 5	Lampeggiante	Uscita per collegamento del lampeggiante a tensione di rete (Max. 40 W)
8 - 9	24 Vac	Alimentazione servizi 24 Vac +/- 25% (Max. 150 mA)
9	Comune	Comune per tutti gli ingressi
10	Alt	Ingresso con funzione di "Alt" (Stop e breve inversione)
11	Foto	Ingresso per dispositivi di sicurezza
12	Passo-Passo	Ingresso per movimento ciclico (PP) ("Apre" - "Stop" - "Chiude" - "Stop")
1	Antenna +	Ingresso per antenna ricevitore radio
2	Antenna massa	Ingresso per antenna ricevitore radio

### Avvertenze:

- Gli ingressi dei contatti di tipo NC (Normalmente Chiuso), se non vengono utilizzati devono essere "ponticellati" e, se sono più di uno devono essere messi in SERIE tra di loro;
- Gli ingressi dei contatti di tipo NA (Normalmente Aperto) se non vengono utilizzati devono essere lasciati liberi, se sono più di uno devono essere messi in PARALLELO tra di loro.
- I contatti, devono essere assolutamente di tipo meccanico e svincolati da qualsiasi potenziale, non sono ammessi collegamenti a stadi tipo quelli definiti "PNP", "NPN", "Open Collector" ecc. ecc.

### 4.1 - Prima accensione e verifica dei collegamenti

**ATTENZIONE!** - Tutte le operazioni successive descritte nel manuale, saranno effettuate su circuiti elettrici sotto tensione e le manovre potranno risultare pericolose! Quindi, operare con attenzione.

01. Alimentare la Centrale di comando e verificare che tra i morsetti 8-9 vi siano circa 24 Vac.
02. Verificare che il Led "OK", dopo aver emesso qualche lampeggio veloce, emetta dei lampeggi con cadenza regolare.
03. A questo punto, verificare che i Led relativi agli ingressi con contatti NC siano accesi (= tutte le sicurezze attive) e, che i Led relativi ad ingressi NA siano spenti (= nessun comando presente).  
Se questo non avviene, occorre controllare i vari collegamenti e la funzionalità dei vari dispositivi. L'ingresso di "Alt" interviene disattivando sia il finecorsa di Apertura (FCA) sia il finecorsa di Chiusura (FCC).
04. Verificare il collegamento dei finecorsa: muovere la leva del finecorsa e verificare che il relativo finecorsa intervenga spegnendo il Led corrispondente sulla Centrale.
05. Sbloccare il motoriduttore e portare l'anta del cancello a metà della suacorsa e, poi bloccare il motoriduttore. In questo modo, l'anta del cancello è libera sia per eseguire l'Apertura sia la Chiusura.
06. Verificare se il movimento dell'anta avviene nella direzione corretta rispetto a quello segnalato dalla Centrale. **Importante** - Eseguire

## 4 COLLEGAMENTI ELETTRICI

A questo punto, dopo aver installato il motoriduttore e i dispositivi di comando (selettore a chiave o pulsantiera) e di sicurezza (arresto di emergenza, fotocellule, costole sensibili, lampeggiante), è possibile eseguire i collegamenti elettrici facendo riferimento ai paragrafi successivi e all'esempio di fig. 10-10a.

La Centrale di comando presenta una serie di funzioni selezionabili tramite dei Dip-Switch (mini selettori) e delle regolazioni effettuabili tramite dei Trimmer (fig. 11).

I Led degli ingressi (fig. 11) segnalano lo stato di funzionamento dei componenti dell'automazione; invece, il Led "OK" (fig. 11), segnala il corretto funzionamento della Centrale stessa. Inoltre, la Centrale incorpora un ricevitore radio multicodice.

### Componenti della Centrale (fig. 11):

- a - Morsettiera per antenna
- b - Dip-Switch di selezione funzioni
- c - Pulsante Radio
- d - Trimmer di regolazione Tempo Lavoro (TL)
- e - Trimmer di regolazione Tempo Pausa (TP)
- f - Morsettiera Ingressi / Uscite di comando
- g - Connettore ingresso dei finecorsa
- h - Morsettiera uscita lampeggiante / Luce di Cortesia
- i - Connettore Condensatore

questa verifica è obbligatorio. Se la direzione dell'anta non è corretta rispetto alla segnalazione della Centrale, l'automatismo potrebbe in apparenza funzionare regolarmente (il ciclo "Apre" è simile al ciclo "Chiude"), ma in realtà i dispositivi di sicurezza potrebbero essere ignorati durante l'esecuzione della manovra di Chiusura. In questo caso, i dispositivi di sicurezza interverrebbero solo durante la manovra di Apertura provocando così, una richiusura contro l'ostacolo, con effetti disastrosi!

**07.** Verificare che il senso di rotazione del motore sia corretto: inviare un breve impulso sull'ingresso PP, la Centrale come prima manovra esegue sempre l'Apertura; quindi, è sufficiente verificare che anche il motore si muova nel senso dell'Apertura.

Se questo non avviene, procedere nel modo seguente:

- a) togliere l'alimentazione alla Centrale di comando;
- b) ruotare di 180° il connettore di alimentazione del motore (l - fig. 11) e quello dei fincorsa (g - fig. 11);
- c) a questo punto, dare alimentazione alla Centrale e ripetere la verifica del punto 07.

Il Led "OK" presente sulla Centrale (fig. 11), serve per segnalare lo stato di funzionamento di quest'ultima:

- 1 lampeggio regolare con cadenza di 1 secondo = indica che il microprocessore interno è attivo ed è pronto per ricevere i comandi.
- 1 doppio lampeggio veloce = indica quando il microprocessore rileva una variazione dello stato di funzionamento di un ingresso (sia di un ingresso di comando sia del Dip-Switch delle funzioni); questo avviene anche se la variazione rilevata non provoca effetti immediati.
- 1 lampeggio molto veloce della durata di 3 secondi = indica che la Centrale è stata alimentata e che sta eseguendo un test per verificare lo stato di funzionamento.
- 1 lampeggio con cadenza irregolare = indica che il test di verifica non è andato a buon fine e che quindi, è presente un guasto.

## 5 REGOLAZIONE DEI PARAMETRI

È possibile regolare i parametri di funzionamento della Centrale di comando utilizzando i "Trimmer" (fig. 11) presenti su quest'ultima.

• **Tempo Lavoro (TL):** nella modalità di funzionamento "Semiautomatico" questo parametro, regola la durata massima della manovra di Apertura o di Chiusura. Per regolare questo parametro, procedere nel modo seguente: **a)** selezionare la modalità di funzionamento "Semiautomatico" e posizionare il Dip-Switch 1 su "ON"; **b)** posizionare il "Trimmer TL" a metà corsa; **c)** eseguire un ciclo completo di Apertura e di Chiusura e, verificare che la durata massima impostata, della manovra di Apertura o di Chiusura, sia sufficiente e, che rimanga un margine di 2 o 3 secondi; se necessario regolare nuovamente il "Trimmer TL" con il valore massimo. Nel caso in cui, questo tempo di durata non sia ancora sufficiente, occorre tagliare il ponticello TLM posizionato vicino al Trimmer TL (fig. 11), in modo tale da ottenere un "Tempo Lavoro Maggiorato" (TLM).

Se si vuole utilizzare la funzione di rallentamento, occorre regolare il Trimmer in modo tale che la fase di rallentamento inizi a 50-70 cm prima dell'intervento dei fincorsa. Un'eventuale modifica di questo parametro, sarà visibile durante l'esecuzione della prima manovra di Apertura, comandata dopo aver effettuato la modifica.

• **Tempo Pausa (TP):** nella modalità di funzionamento "Automatico" questo parametro, regola il tempo che intercorre tra il termine della manovra di Apertura e l'inizio della manovra di Chiusura. Per regolare questo parametro, procedere nel modo seguente: **a)** selezionare la modalità di funzionamento "Automatico" posizionando il Dip-Switch 2 su "ON"; **b)** regolare il "Trimmer TP" a piacere; **c)** per verificare se il tempo impostato è corretto, eseguire una manovra di Apertura completa e, controllare il tempo che trascorre prima dell'inizio della manovra di Chiusura.

• **Forza (F):** **Attenzione** – La regolazione di questo parametro può incidere notevolmente sul grado di sicurezza dell'automazione, occorre quindi, porre particolare attenzione durante questa operazione. Per regolare questo parametro occorre procedere per tentativi: è necessario misurare la forza applicata dall'anta del cancello durante l'esecuzione di una manovra e, confrontarla con i valori previsti dalle normative vigenti sul territorio.

### Modalità di funzionamento

**Passo Passo (PP):** questa modalità, utilizzata in modo manuale (a uomo presente), attiva alternativamente la manovra di Apertura e di Chiusura e, quando il comando termina la manovra in atto si arresta.

La manovra si arresta, sia in Apertura sia in Chiusura, anche quando intervengono i fincorsa; inoltre, in Chiusura, il movimento si arresta anche se non è presente il consenso dei dispositivi di sicurezza "Foto". Invece, se interviene l'"ALT", sia in Apertura che in Chiusura, la manovra si arresta

immediatamente e, si attiva una breve inversione.

Quando la manovra si arresta, è necessario terminare l'invio del comando prima di inviarne uno nuovo.

Invece, utilizzando la modalità "Passo Passo" in uno dei modi automatici ("Semiautomatico", "Automatico" o "Chiude Sempre") l'invio di un comando fa attivare alternativamente la manovra di Apertura e di Chiusura e, un secondo invio di comando attiva lo "Stop". Invece, se interviene l'"ALT", sia in Apertura che in Chiusura, la manovra si arresta immediatamente e, si attiva una breve inversione.

Nel caso in cui si utilizzi il modo di funzionamento automatico, dopo una manovra di Apertura, c'è una pausa e, al termine di questa viene eseguita una manovra di Chiusura.

Se durante la pausa intervengono i dispositivi di sicurezza "Foto", il temporizzatore verrà ripristinato con un nuovo Tempo Pausa; se invece durante la pausa interviene l'"Alt", la funzione di chiusura automatica si annulla e, si attiva uno "Stop".

Durante la manovra di Apertura, l'intervento di "Foto" non ha alcun effetto; mentre, durante la Chiusura provoca un'inversione della manovra, poi una pausa e, di seguito la Chiusura.

### Funzioni programmabili

La Centrale di comando dispone di una serie di microinterruttori che permettono di attivare varie funzioni che rendono l'automazione più adatta alle esigenze dell'utilizzatore e più sicura per le varie condizioni d'utilizzo.

Per attivare o disattivare le funzioni si utilizza il Dip-switch 1 o 2: si **attivano** impostandolo su "ON" e, si **disattivano** impostandolo su "OFF".

Alcune delle funzioni disponibili sono legate alla sicurezza, quindi è importante valutare con attenzione quale sia la funzione più sicura.

I Dip-Switch permettono di selezionare i vari modi di funzionamento e di programmare le funzioni desiderate, descritte nella **Tabella A:**

**Tabella A**

<b>Switch 1-2:</b>	<b>Off-Off</b>	Movimento "Manuale" cioè, a uomo presente
	<b>On-Off</b>	Movimento "Semiautomatico"
	<b>Off-On</b>	Movimento "Automatico" cioè, chiusura automatica
	<b>On-On</b>	Movimento "Automatico" + "Chiude Sempre"
<b>Switch 3:</b>	<b>On</b>	Funzionamento Condominiale (non disponibile in modo manuale)
<b>Switch 4:</b>	<b>On</b>	Prelampeggio
<b>Switch 5:</b>	<b>On</b>	Richiudi 5 secondi dopo "Foto" se impostato in "Automatico" o "Chiudi dopo Foto" se impostato in "Semiautomatico"
<b>Switch 6:</b>	<b>On</b>	Sicurezza "Foto" anche in Apertura
<b>Switch 7:</b>	<b>On</b>	Partenza graduale
<b>Switch 8:</b>	<b>On</b>	Rallentamento
<b>Switch 9:</b>	<b>On</b>	Freno
<b>Switch 10:</b>	<b>On</b>	Non in uso

### Switch 1-2

Nel modo di funzionamento "Manuale" la manovra viene eseguita solo fino a quando il comando è attivo (tasto premuto del trasmettitore a uomo presente).

Nel modo di funzionamento "Semiautomatico" un invio di comando fa eseguire la manovra completa fino allo scadere del "Tempo Lavoro" o fino al raggiungimento del fincorsa.

Nel modo di funzionamento "Automatico", dopo una manovra di Apertura, c'è una pausa e, al termine di questa viene eseguita automaticamente una manovra di Chiusura.

La funzione "Chiude Sempre" interviene in seguito ad un black-out elettrico; se, al ritorno dell'alimentazione, la Centrale rileva l'anta del cancello in posizione di Apertura, avvia automaticamente una manovra di Chiusura preceduta da 5 secondi di prelampeggio.

### Switch 3

Nel modo di funzionamento "Condominiale", quando viene inviato un comando "Passo Passo" e inizia una manovra di Apertura, questa non può essere interrotta da nessun altro invio di comando "Passo-Passo" oppure "Apre" via radio fino alla fine della manovra stessa.

Invece, nella manovra di Chiusura, l'invio di un nuovo comando "Passo Passo" provoca l'arresto e l'inversione della manovra stessa.

### Switch 4

Quando viene inviato un comando si attiva prima il lampeggiante e, dopo 5 secondi (2 secondi se impostato in modo di funzionamento "Manuale") inizia la manovra.

### Switch 5

Questa funzione, se impostata in modo di funzionamento "Automatico" permette di mantenere l'anta del cancello aperta solo per il tempo necessario al transito di mezzi o persone; infatti, al termine dell'intervento dei

dispositivi di sicurezza "Foto", la manovra si arresta e, dopo 5 secondi inizia automaticamente una manovra di Chiusura.

Invece, se la funzione è impostata in modo "Semiautomatico", quando intervengono i dispositivi di sicurezza "Foto", durante la manovra di Chiusura si attiva la Chiusura automatica con la durata del "Tempo Pausa" programmato.

#### Switch 6

Solitamente la funzione di sicurezza "Foto" è attiva solo per la manovra di Chiusura, se il Dip-Switch 6 viene impostato su "ON", l'intervento del dispositivo di sicurezza provoca una interruzione della manovra anche in Apertura. Invece, se è impostato il modo di funzionamento "Semiautomatico" o "Automatico", la ripresa della manovra di Apertura inizierà subito dopo il disimpegno dei dispositivi di sicurezza.

#### Switch 7

Impostando questa funzione, l'inizio della manovra avverrà in modo graduale; in questo modo è possibile evitare scossoni indesiderati dell'automazione.

#### Switch 8

Il rallentamento, consiste in una riduzione della velocità al 30% della velocità nominale; questo riduce la forza d'impatto dell'anta del cancello al termine di una manovra.

Quando questa funzione viene attivata, è necessario regolare il "Tempo Lavoro (TL)" in quanto, l'inizio della fase di rallentamento è legata al tempo lavoro impostato. Quindi, occorre regolare il TL affinché la fase di rallentamento inizi circa 50-70 cm prima dell'intervento dei fincorsa.

La funzione di rallentamento oltre a diminuire la velocità dell'automazione riduce del 70% la coppia del motore. **ATTENZIONE** – Nelle automazioni che richiedono un valore elevato della coppia del motore, questa funzione di rallentamento potrebbe provocare l'arresto immediato del motore.

#### Switch 9

Impostando questa funzione, al termine di una manovra viene eseguita una procedura di freno al motore; inizialmente moderata, poi più pesante in modo tale da fermare velocemente l'anta del cancello, senza provocare scossoni.

#### Switch 10

Non in uso.

## 6

## PROGRAMMAZIONE DEL RICEVITORE RADIO

### • **Installazione di un'antenna esterna**

Se l'antenna in dotazione viene a trovarsi in posizione sfavorevole e il segnale radio risulta debole, per migliorare la ricezione è consigliabile sostituire questa installando un'antenna esterna (mod. ABF o ABFKIT). La nuova antenna deve essere posizionata più in alto possibile e al di sopra di eventuali strutture metalliche o di cemento armato presenti nella zona.

### • **Collegamento alla Centrale**

Per il collegamento del ricevitore alla Centrale, utilizzare un cavo coassiale con impedenza di 50 ohm (ad esempio, il cavo RG58 a bassa perdita). **Attenzione!** – Per ridurre la dispersione del segnale, utilizzare un cavo corto (non deve superare i 10 m).

### Avvertenze alla programmazione

• *Le operazioni di programmazione presenti in questo capitolo richiedono l'utilizzo del tasto "c" e del Led "n" (fig. 11) presente sul ricevitore. Il Led, indica lo stato delle operazioni in corso emettendo un determinato numero di lampeggi e con una durata specifica. Nella "Tabella C" sono descritti i significati dei lampeggi.*

• *Si consiglia di leggere prima le procedure e di eseguire dopo le operazioni, effettuando i passaggi di ciascuna procedura in modo consecutivo.*

**ATTENZIONE!** – Prima di memorizzare un trasmettitore, leggere attentamente il testo che segue.

Il ricevitore può memorizzare solo i trasmettitori appartenenti ad una delle seguenti 3 famiglie di codifica:

– famiglia formata dalle codifiche "O-Code", "FloR" e "TTS";

– famiglia formata dalla codifica "Flo";

– famiglia formata dalla codifica "Smilo".

**Nota** – Nel ricevitore, ogni codifica permette di sfruttare solo le funzionalità tipiche di quella codifica stessa

**Attenzione!** – La famiglia di codifica alla quale appartiene il primo trasmettitore memorizzato nel ricevitore, definisce anche la famiglia alla quale dovranno appartenere i successivi trasmettitori da memorizzare.

Per modificare la famiglia di codifica presente nel ricevitore, è necessario eseguire la procedura di "Cancellazione totale della memoria del ricevitore".

Per verificare se nel ricevitore sono già memorizzati dei trasmettitori e la famiglia di codifica alla quale essi appartengono, procedere nel modo seguente:

**01.** Togliere l'alimentazione elettrica al ricevitore.

**02.** Ridare l'alimentazione elettrica al ricevitore e, contare il numero dei lampeggi di colore verde che emette il Led del ricevitore.

**03.** Infine, confrontare il numero dei lampeggi appena contati, con la seguente tabella:

– 1 lampeggio = codifica Flo

– 2 lampeggi = codifica O-Code / FloR / TTS

– 3 lampeggi = codifica Smilo

– 5 lampeggi = nessun trasmettitore inserito

**Attenzione!** – Prima di iniziare la procedura di memorizzazione di un trasmettitore, leggere attentamente tutte le modalità di memorizzazione descritte di seguito per valutare quale risulta più adeguata.

### **6.1 - Modalità di memorizzazione di un trasmettitore: "Modo I" e "Modo II"**

In generale, l'abbinamento tra questi comandi e i tasti di un trasmettitore può essere fatto in due modalità diverse:

• **Modo I:** questa modalità permette di memorizzare nel ricevitore, in una sola volta, tutti i tasti del trasmettitore oppure un solo gruppo di essi (solo nei trasmettitori che posseggono più codici d'identità, come ad esempio il modello ON9). Con questa modalità i tasti del trasmettitore vengono abbinati automaticamente ai comandi prestabiliti nella Centrale di comando.

• **Modo II:** questa modalità permette di memorizzare nel ricevitore, un singolo tasto del trasmettitore. È possibile scegliere quale comando programmare tra quelli disponibili nella Centrale di comando (massimo 4).

#### **Procedura di memorizzazione in "Modo I"**

**Avvertenza** – Questa procedura memorizza contemporaneamente tutti i tasti del trasmettitore o un solo gruppo di essi.

**01.** Premere e mantenere premuto il tasto sul ricevitore fino a quando si accende il Led verde sul ricevitore. Quindi, rilasciare il tasto.

**02.** Entro 10 secondi, sul trasmettitore da memorizzare, premere e mantenere premuto un tasto qualsiasi fino a quando il Led sul ricevitore



emette il primo dei 3 lampeggi di colore verde che segnalano l'avvenuta memorizzazione.

**Nota** – Al termine dei 3 lampeggi, sono disponibili altri 10 secondi per memorizzare altri trasmettitori.

### Procedura di memorizzazione in "Modo II"

**Avvertenza** – Questa procedura memorizza un singolo tasto del trasmettitore. Quindi, è necessario ripetere la procedura di programmazione per ogni tasto del trasmettitore che si desidera memorizzare

**01.** Consultare la "Tabella dei comandi" per scegliere i comandi disponibili; scegliere il comando che si desidera assegnare al tasto del trasmettitore da memorizzare e infine, annotare il numero corrispondente al comando.

**02.** Sul ricevitore, premere il tasto un numero di volte pari al numero del comando, annotato prima; il Led del ricevitore emette lo stesso numero di lampeggi ripetuti.

**03.** (sul trasmettitore, entro 10 secondi) Mantenere premuto il tasto prescelto per la memorizzazione, fino a quando il Led del ricevitore emette il primo dei 3 lampeggi (= memorizzazione avvenuta).

**Nota** – Dopo i tre lampeggi, sono disponibili altri 10 secondi per memorizzare lo stesso comando su altri tasti dello stesso trasmettitore o di un nuovo trasmettitore.

### Tabella dei comandi

uscita 1 = **PASSO PASSO**

uscita 2 = **ALT**

uscita 3 = **APRE**

uscita 4 = **CHIUDE**

## 6.2 - Memorizzazione di un nuovo trasmettitore usando la procedura 'in vicinanza del ricevitore' [è necessario disporre di un trasmettitore già memorizzato]

È possibile memorizzare un NUOVO trasmettitore nella memoria del ricevitore senza agire direttamente sul tasto di questo ricevitore, ma operando semplicemente nel suo raggio di ricezione. Per attuare la procedura è necessario avere a disposizione un VECCHIO trasmettitore, già memorizzato (in "Modo I" o in "Modo II") e funzionante. La procedura consentirà al NUOVO trasmettitore di ricevere le stesse impostazioni di quello VECCHIO.

### Avvertenze:

- La procedura deve essere eseguita operando nel raggio di ricezione del ricevitore (10-20 m dal ricevitore).
- Ripetere tutta la procedura per ogni trasmettitore che si desidera memorizzare.

È possibile utilizzare una delle seguenti procedure, in base alle proprie preferenze:

### Procedura standard

**01.** Sul NUOVO trasmettitore, mantenere premuto per almeno 5 secondi il tasto... (nota 1) e poi rilasciarlo.

**02.** Sul VECCHIO trasmettitore, premere 3 volte il tasto... (nota 2) e poi rilasciarlo.

**03.** Sul NUOVO trasmettitore, premere 1 volta lo stesso tasto premuto al punto 01 e poi rilasciarlo.

### Procedura alternativa

**01.** Sul NUOVO trasmettitore, mantenere premuto per almeno 3 secondi il tasto... (nota 1) e poi rilasciarlo.

**02.** Sul VECCHIO trasmettitore, mantenere premuto per almeno 3 secondi il tasto... (nota 2) e poi rilasciarlo.

**03.** Sul NUOVO trasmettitore, mantenere premuto per almeno 3 secondi lo stesso tasto premuto al punto 01 e poi rilasciarlo.

**04.** Sul VECCHIO trasmettitore, mantenere premuto per almeno 3 secondi lo stesso tasto premuto al punto 02, fino a quando il Led verde L1 del ricevitore emette 3 lampeggi, che segnalano l'avvenuta memorizzazione.

**Nota 1** – Premere un tasto qualsiasi, se il VECCHIO trasmettitore è memorizzato in "Modo I" oppure premere il tasto che si desidera memorizzare se il VECCHIO trasmettitore è memorizzato in "Modo II".

**Nota 2** – Premere un tasto qualsiasi, se questo trasmettitore è memorizzato in "Modo I" oppure premere il tasto con il comando che si desidera trasferire se questo trasmettitore è memorizzato in "Modo II".

## 6.3 - Cancellazione totale della memoria del ricevitore

Per cancellare nella memoria del ricevitore tutti i trasmettitori memorizzati o, in alternativa, tutti i dati presenti, procedere nel modo seguente:

**01.** Premere e mantenere premuto a lungo il tasto del ricevitore fino a quando si accende il Led verde e, osservare le variazioni di stato di

quest'ultimo:

- dopo circa 4 secondi, si accende il Led verde;
- di seguito, dopo circa 4 secondi, si spegne il Led verde;
- infine, dopo circa 4 secondi, il Led verde inizia a lampeggiare.

**02.** A questo punto, per cancellare tutti i trasmettitori rilasciare il tasto esattamente durante il 3° lampeggio del Led verde; oppure, per cancellare tutta la memoria del ricevitore (comprese le configurazioni e la famiglia di codifica dei trasmettitori) rilasciare il tasto esattamente durante il 5° lampeggio del Led verde.

## 7 COLLAUDO E MESSA IN SERVIZIO

**ATTENZIONE!** – Le operazioni descritte in questo capitolo devono essere eseguite esclusivamente da personale qualificato ed esperto, rispettando le istruzioni del manuale, le leggi e le normative di sicurezza vigenti sul territorio.

Questa è la fase più importante nella realizzazione dell'automazione, al fine di garantire la massima sicurezza dell'impianto. La procedura di collaudo descritta può essere usata anche per verificare periodicamente i dispositivi che compongono l'automazione.

Le fasi del collaudo e della messa in servizio dell'automazione devono essere eseguite da personale qualificato ed esperto che dovrà farsi carico di stabilire le prove necessarie a verificare le soluzioni adottate nei confronti dei rischi presenti, e di verificare il rispetto di quanto previsto da leggi, normative e regolamenti: in particolare, di tutti i requisiti della norma EN 12445 che stabilisce i metodi di prova per la verifica degli automatismi per cancelli.

### 7.1 - Collaudo dell'automazione

Ogni singolo componente dell'automazione, ad esempio bordi sensibili, fotocellule, arresto di emergenza, ecc. richiede una specifica fase di collaudo; per questi dispositivi si devono eseguire le procedure riportate nei rispettivi manuali istruzioni.

Per il collaudo procedere nel modo seguente:

- 1 Verificare che sia stato rispettato rigorosamente quanto previsto nel capitolo "AVVERTENZE E PRECAUZIONI GENERALI PER LA SICUREZZA" in materia di sicurezza;
- 2 Sbloccare il motoriduttore con l'apposita chiave (fare riferimento al paragrafo "Bloccare o Sbloccare manualmente il motoriduttore" del "Manuale d'uso");
- 3 Verificare che sia possibile muovere manualmente l'anta del cancello sia in Apertura sia in Chiusura;
- 4 Bloccare il motoriduttore con l'apposita chiave (fare riferimento al capitolo "Bloccare o Sbloccare manualmente il motoriduttore");
- 5 Utilizzando i dispositivi di comando o di arresto presenti nell'automazione (selettore a chiave, pulsanti di comando, trasmettitori, ecc.), effettuare delle prove di chiusura e apertura del cancello, accertando se il movimento dell'anta corrisponde a quanto previsto. Conviene eseguire diverse prove al fine di valutare la scorrevolezza del cancello e accertare eventuali difetti di montaggio, di regolazione, nonché la presenza di particolari punti d'attrito;
- 6 Verificare uno ad uno il corretto funzionamento di tutti i dispositivi di sicurezza presenti nell'impianto (fotocellule, bordi sensibili ecc.) e, verificare che il comportamento dell'automazione corrisponda a quanto previsto. Ogni volta che un dispositivo di sicurezza interviene, sulla Centrale, il Led "OK" deve eseguire 2 lampeggi più veloci, come conferma che la Centrale riconosce l'evento;
- 7 Eseguire la misura della forza d'impatto secondo quanto previsto dalla norma EN 12445. Se il controllo della "forza motore" viene usato dalla Centrale come ausilio al sistema per la riduzione della forza di impatto, provare a regolare le funzioni che offrono parametri migliori;
- 8 Fissare in modo permanente, in una zona adiacente all'automazione, una etichetta che descrive come sbloccare manualmente il motoriduttore.

### 7.2 - Messa in servizio dell'automazione

La messa in servizio può avvenire solo dopo aver eseguito con esito positivo tutte le fasi di collaudo. Non è consentita la messa in servizio parziale o in situazioni "provvisorie".

- 1 Realizzare e conservare per almeno 10 anni, il fascicolo tecnico dell'automazione che dovrà comprendere i seguenti documenti: un disegno complessivo dell'automazione, lo schema dei collegamenti elettrici effettuati, l'analisi dei rischi presenti e le relative soluzioni adottate, la dichiarazione di conformità del fabbricante di tutti i dispositivi utilizzati, la

dichiarazione di conformità compilata dall'installatore, copia del manuale d'istruzioni per l'uso e il piano di manutenzione dell'automazione;

- 2 Apporre sul cancello una targhetta contenente almeno i seguenti dati: tipo di automazione, nome e indirizzo del costruttore (responsabile della "messa in servizio"), numero di matricola, anno di costruzione e marchio "CE";
- 3 Compilare e consegnare al proprietario dell'automazione la dichiarazione di conformità; a tale scopo deve essere compilato il modulo "**Dichiarazione CE di conformità**";
- 4 Compilare e consegnare al proprietario dell'automazione il modulo "**Manuale per l'uso**";
- 5 Compilare e consegnare al proprietario dell'automazione il modulo "**Piano di manutenzione**", che raccoglie le prescrizioni sulla manutenzione di tutti i dispositivi dell'automazione;
- 6 Prima di mettere in servizio l'automatismo informare adeguatamente il proprietario sui pericoli ed i rischi residui ancora presenti.

## SMALTIMENTO DEL PRODOTTO

**Questo prodotto è parte integrante dell'automazione, e dunque, deve essere smaltito insieme con essa.**

Come per le operazioni d'installazione, anche al termine della vita di questo prodotto, le operazioni di smantellamento devono essere eseguite da personale qualificato.

Questo prodotto è costituito da vari tipi di materiali: alcuni possono essere riciclati, altri devono essere smaltiti. Informatevi sui sistemi di riciclaggio o smaltimento previsti dai regolamenti vigenti sul vostro territorio, per questa categoria di prodotto.

**Attenzione!** – alcune parti del prodotto possono contenere sostanze inquinanti o pericolose che, se disperse nell'ambiente, potrebbero provocare effetti dannosi sull'ambiente stesso e sulla salute umana.

Come indicato dal simbolo a lato, è vietato gettare questo prodotto nei rifiuti domestici. Eseguire quindi la "raccolta separata" per lo smaltimento, secondo i metodi previsti dai regolamenti vigenti sul vostro territorio, oppure riconsegnare il prodotto al venditore nel momento dell'acquisto di un nuovo prodotto equivalente.



**Attenzione!** – i regolamenti vigenti a livello locale possono prevedere pesanti sanzioni in caso di smaltimento abusivo di questo prodotto.

## INTERVENTI DI MANUTENZIONE PERIODICA

In generale, il presente prodotto non necessita di manutenzioni particolari; tuttavia, un controllo regolare nel tempo consente di mantenere in efficienza l'impianto e di assicurare il regolare funzionamento dei sistemi di sicurezza installati.

L'automazione ha bisogno di una manutenzione periodica affinché possa funzionare più a lungo possibile ed in completa sicurezza. Occorre pianificare la manutenzione dell'automazione con frequenza periodica. È necessaria una manutenzione programmata al massimo ogni 6 mesi.

Per eseguire le verifiche di manutenzione, procedere nel modo seguente.

**ATTENZIONE!** – Prima di eseguire qualsiasi verifica è necessario collegare qualsiasi sorgente di alimentazione elettrica.

- Verificare lo stato di deterioramento di tutti i componenti dell'automazione, con particolare attenzione a fenomeni di erosione o di ossidazione delle parti strutturali; eventualmente, sostituire le parti che non forniscono sufficienti garanzie.
- Verificare lo stato di usura delle parti in movimento: pignone, cremagliera e tutte le parti che compongono l'anta del cancello; eventualmente, sostituire le parti usurate.
- Al termine delle verifiche di manutenzione collegare nuovamente l'alimentazione elettrica ed eseguire tutte le prove e le verifiche previste nel capitolo 4.

## CARATTERISTICHE TECNICHE DEL PRODOTTO

**AVVERTENZE:** • Tutte le caratteristiche tecniche riportate, sono riferite ad una temperatura ambientale di 20°C (± 5°C), • Nice S.p.a. si riserva il diritto di apportare modifiche al prodotto in qualsiasi momento lo riterrà necessario, mantenendone comunque la stessa funzionalità e destinazione d'uso.

■ Alimentazione da rete	230 Vac 50 Hz
■ Motore	asincrono monofase
■ Tipo di finecorsa	elettromeccanico
■ Pot.max assorbita	350 W (peak 500 W)
■ Assorbimento da linea	1.6 A
■ Condensatore incorporato	14 µF
■ Grado di protezione	IP 44
■ Coppia massima (corrispondente a forza)	35 Nm (1100 N)
■ Coppia nominale (corrispondente a forza)	12 Nm (360 N)
■ Velocità nominale	0.16 m/s
■ Termoprotezione	140 °C
■ Peso massimo anta	1500 Kg
■ Lunghezza massima anta	12 m
■ N° massimo cicli ora	15 (anta 6 metri)
■ N° massimo cicli consecutivi	5
■ Dimensioni	335 x 203 x h 275
■ Peso	11.5 Kg
■ Corrente Max servizi 24 V	150 mA (la tensione può variare del ± 25%)
■ Uscita lampeggiante	Per lampeggianti a tensione di rete, potenza massima 40 W
■ Temperatura di esercizio	da -20 °C a +50 °C
■ Tempo Lavoro	Regolabile da 2.5 a > 40 s., oppure da < 40 a > 80 s. con TLM
■ Tempo Pausa	Regolabile da 5 a > 80 s.
■ Decodifica	"O-Code" / "FloR" / "TTS"; oppure "Flo"; oppure "Smilo"
■ Frequenza ricezione	433.92 MHz
■ Sensibilità	migliore di 0,5 V
■ Impedenza d'ingresso	52 ohm

## MANUALE D'USO

(da consegnare all'utilizzatore dell'automazione)

**IMPORTANTE** – Questo foglio d'istruzioni contiene importanti informazioni riguardanti la sicurezza; è necessario leggere tutte le istruzioni prima di utilizzare il prodotto. Conservare con cura questo manuale anche per utilizzi futuri.

### AVVERTENZE E PRECAUZIONI PER L'USO

**È assolutamente vietato toccare parti dell'automazione mentre il cancello è in movimento!**

- Prima di usare per la prima volta l'automazione, dedicate qualche minuto alla lettura del presente manuale per l'uso, consegnatovi da chi ha installato l'automazione. Inoltre, fatevi spiegare da questo l'origine dei rischi residui.

- Conservate il presente manuale per ogni dubbio futuro e consegnatelo ad un eventuale nuovo proprietario dell'automazione.

- La vostra automazione è un macchinario che esegue fedelmente i vostri comandi; un uso incosciente ed improprio può farlo diventare pericoloso. Non comandate il movimento dell'automazione se nel suo raggio di azione si trovano persone, animali o cose.

- **Bambini:** questo impianto di automazione garantisce un alto grado di sicurezza, impedendo con i suoi sistemi di rilevazione il movimento in presenza di persone o cose. Inoltre, garantisce un'attivazione sempre prevedibile e sicura. In ogni caso, è prudente vietare ai bambini di giocare in prossimità dell'automazione. Per evitare attivazioni involontarie dell'automazione non lasciare i trasmettitori alla loro portata (il trasmettitore non è un gioco!).

- Controllate frequentemente l'automazione alla ricerca di eventuali segni di usura, danni o sbilanciamento. Sospendere immediatamente l'uso se è necessaria una manutenzione.

- Verificare periodicamente il corretto funzionamento delle fotocellule e far eseguire almeno ogni 6 mesi i controlli di manutenzione previsti.

- Le fotocellule non sono un dispositivo di sicurezza ma soltanto un dispositivo ausiliario alla sicurezza. Queste sono costruite con tecnologia ad altissima affidabilità ma possono, in situazioni estreme, subire malfunzionamenti o addirittura guastarsi. **Attenzione!** – In certi casi il guasto potrebbe non essere subito evidente.

**È assolutamente vietato transitare mentre il cancello è in movimento!**

- Non appena notate qualunque comportamento anomalo da parte dell'automazione, per sicurezza togliere l'alimentazione elettrica all'impianto. Non tentare da soli nessuna riparazione ma richiedere l'intervento del vostro installatore di fiducia. Nel frattempo l'impianto potrà funzionare con *Apertura e Chiusura* manuale, sbloccando manualmente i motoriduttori come descritto in questo manuale.

- In caso di mancanza dell'energia elettrica, al ripristino della corrente la prima manovra comandata verrà eseguita dall'automazione a velocità ridotta, indipendentemente dal tipo di velocità impostata.

- Non modificare l'impianto ed i parametri di programmazione e regolazione dell'automazione, anche se pensate di essere in grado di farlo: la responsabilità è di chi ha installato l'automazione.

- Il collaudo, le manutenzioni periodiche e le eventuali riparazioni devono essere documentate da chi le esegue e i documenti devono essere conservati dal proprietario dell'impianto.

- Al termine della vita dell'automazione, assicurarsi che lo smantellamento sia eseguito da personale qualificato e che i materiali vengano riciclati o smaltiti secondo le norme vigenti sul territorio.

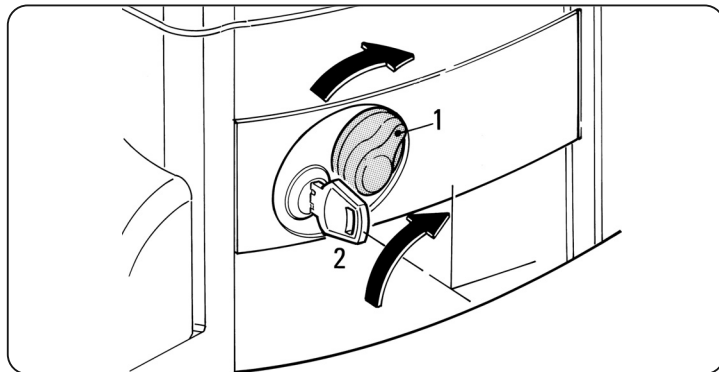
### BLOCCARE O SBLOCCARE MANUALMENTE IL MOTORIDUTTORE

Il motoriduttore è dotato di un sistema meccanico che consente di aprire e chiudere il cancello manualmente.

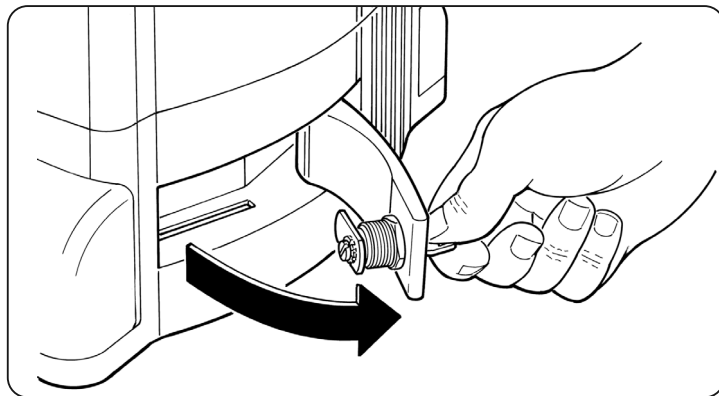
Queste operazioni manuali devono essere eseguite nei casi di mancanza di corrente elettrica o di anomalie di funzionamento. In quest'ultimo caso, l'uso del meccanismo di sblocco può essere utile anche per verificare se il guasto dipende dal meccanismo stesso (ad esempio potrebbe essere stretto male).

Per sbloccare manualmente il motoriduttore, utilizzare la chiave di sblocco in dotazione nel modo seguente:

01. Ruotare il copriserratura;
02. Inserire la chiave nell'apposito perno di sblocco;
03. Ruotare di 90° la chiave in senso orario e, tirare verso di sé la maniglia;



04. A questo punto sarà possibile muovere manualmente l'anta del cancello nella posizione desiderata;



05. Per ripristinare la funzionalità dell'automatismo, richiudere la maniglia e, ruotare in senso antiorario l'apposita chiave sul perno di sblocco e muovere manualmente l'anta fino a quando si sente il rumore meccanico di aggancio dell'anta al meccanismo di traino;
06. Infine, togliere la chiave dal perno di sblocco e conservarla.



## 1 AVERTISSEMENTS ET PRÉCAUTIONS GÉNÉRALES POUR LA SÉCURITÉ

### OPÉRER EN CONDITIONS DE SÉCURITÉ !

- **ATTENTION ! – Instructions importantes : conserver ces instructions pour les éventuelles interventions futures de maintenance ou de mise au rebut du dispositif.**
- **ATTENTION ! – Toutes les opérations d'installation, de connexion, de programmation et de maintenance du dispositif doivent être effectuées exclusivement par un technicien qualifié !**

Compte tenu des dangers qui peuvent se vérifier durant l'installation et l'utilisation, pour le maximum de sécurité il faut que l'installation soit faite dans le plein respect des lois, normes et règlements. Dans ce chapitre, nous donnons des recommandations d'ordre général ; d'autres recommandations importantes se trouvent dans les chapitres « 3 - Installation » et « 7 - Essai et mise en service ».

**D'après la législation européenne la plus récente, l'automatisation d'une porte ou d'un portail possède les caractéristiques prévues par la Directive 98/37/CE (Directive Machines) et en particulier par les normes : EN 13241-1 (norme harmonisée) ; EN 12445 ; EN 12453 et EN 12635 qui permettent de déclarer la conformité à la directive machines.**

D'autres informations et les conseils pour l'analyse des risques et la réalisation du dossier technique sont disponibles sur le site [www.nicefor-you.com](http://www.nicefor-you.com). Ce guide, à l'exclusion de l'encart « Guide de l'utilisateur » qui pourra être détaché par l'installateur, est destiné uniquement au personnel technique qualifié pour l'installation. Aucune autre information contenue dans le présent guide ne peut être considérée comme intéressante pour l'utilisateur final !

- Une utilisation du produit différente de ce qui est prévu dans ce guide est interdite ; des utilisations impropres peuvent être source de dangers ou de dommages aux personnes et aux choses.
- Avant de commencer l'installation, il faut effectuer l'analyse des risques comprenant la liste des conditions de sécurité requises par l'annexe I de la Directive Machines, en indiquant les solutions adoptées.

Nous rappelons que l'analyse des risques est l'un des documents qui constituent le dossier technique de l'automatisation.

- Vérifier la nécessité d'autres dispositifs pour compléter l'automatisation suivant les conditions spécifiques de l'application et les risques présents ; il faut considérer par exemple les risques d'impact, écrasement, cisaillement, coincement, etc., et d'autres dangers en général.
- Ne pas effectuer de modifications sur aucune partie si elles ne sont pas prévues dans ces instructions ; des opérations de ce type peuvent seulement entraîner des problèmes de fonctionnement. NICE décline toute responsabilité pour les dommages dérivant de produits modifiés.
- Pendant l'installation et l'utilisation, éviter que des parties solides ou liquides puissent pénétrer à l'intérieur de la logique de commande ou d'autres composants ouverts ; s'adresser éventuellement au service d'assistance NICE ; l'utilisation du produit dans de telles circonstances peut créer des situations de danger.

- L'automatisme ne peut pas être utilisé avant d'avoir effectué la mise en service comme l'explique le chapitre « 6 - Essai et mise en service ».

- Les matériaux d'emballage doivent être éliminés en parfaite conformité avec la réglementation locale.

- Dans le cas de panne qui ne peut pas être résolue avec les informations données dans ce manuel, contacter le service après-vente NICE.

- Si des interrupteurs automatiques ou des fusibles interviennent, avant de les réarmer il faut identifier la cause de leur déclenchement et l'éliminer.

- Avant d'accéder aux bornes sous le carter, déconnecter tous les circuits d'alimentation ; si le dispositif de déconnexion n'est pas visible, accrocher un panneau : « ATTENTION MAINTENANCE EN COURS ».

Avertissements particuliers sur l'appropriation à l'utilisation de ce produit par rapport à la Directive « Machines » 98/37/CE (ex 89/392/CEE) :

- Ce produit est mis sur le marché comme « composant de machine » et est donc construit pour être incorporé dans une machine ou pour être assemblé avec d'autres appareillages afin de réaliser « une machine » selon les termes de la Directive 98/37/CE seulement en association avec les autres composants et dans les modes décrits dans ce guide. Comme le prévoit la directive 98/37/CE nous rappelons que la mise en service de ce produit n'est pas autorisée tant que le constructeur de la machine dans laquelle ce produit est incorporé ne l'a pas identifié et déclaré conforme à la directive 98/37/CE.

Avertissements particuliers sur l'appropriation à l'utilisation de ce produit par rapport à la Directive « Basse Tension » 2006/95/CEE :

- Ce produit est conforme aux exigences prévues par la directive « Basse tension » s'il est utilisé dans le but et les configurations prévues dans ce guide et en liaison avec les articles présents dans le catalogue des produits de Nice S.p.A. Les exigences pourraient ne pas être garanties si le produit est utilisé dans des configurations ou avec d'autres produits non prévus ; l'utilisation du produit dans ces situations est interdite tant que l'installateur n'a pas vérifié la conformité aux critères prévus par la directive.

Avertissements particuliers sur l'appropriation à l'utilisation de ce produit par rapport à la Directive « Compatibilité électromagnétique » 2004/108/CEE :

- Ce produit a été soumis aux essais relatifs à la compatibilité électromagnétique dans les situations d'utilisation les plus critiques, dans les configurations prévues dans ce guide et associé avec les articles présents dans le catalogue de produits de Nice S.p.A. La compatibilité électromagnétique pourrait ne pas être garantie si le produit est utilisé dans des configurations ou avec d'autres produits non prévus ; l'utilisation du produit dans ces situations est interdite tant que l'installateur n'a pas vérifié la conformité aux critères requis par la directive.

## 2 DESCRIPTION DU PRODUIT ET TYPE D'UTILISATION

TH1500 est destiné à l'automatisation d'un portail coulissant à usage résidentiel. **Toute autre utilisation que celle décrite et dans des conditions ambiantes différentes de celles indiquées dans ce guide doit être considérée comme impropre et interdite !**

L'opérateur est composé d'un moteur en courant alternatif à 230 V, d'un pignon et d'une logique de commande.

La logique de commande alimente tous les dispositifs présents dans l'installation en gérant le fonctionnement. Elle est formée d'une carte et d'un récepteur radio multicode incorporé qui reçoit les commandes envoyées par un émetteur. Elle dispose de différentes fonctions qui permettent de personnaliser l'utilisation de l'automatisme.

L'automatisme est prévu pour l'utilisation de différents accessoires qui en augmentent la fonctionnalité et garantissent la sécurité.

Le produit fonctionne sur secteur et, en cas de coupure de courant, il est possible de débrayer manuellement l'opérateur et de déplacer à la main le portail.

## 3 INSTALLATION

### 3.1 - Contrôles avant l'installation

Avant d'effectuer l'installation, il faut vérifier l'intégrité des composants du produit, l'adéquation du modèle choisi et son adaptation au lieu prévu pour son installation.

**IMPORTANT – L'opérateur ne peut pas automatiser un portail manuel n'ayant pas une structure mécanique efficace et sûre. De plus, il ne peut pas résoudre les défauts causés par une installation incorrecte ou par une maintenance insuffisante du portail.**

### 3.2 - Vérifier que l'environnement est adapté et que le portail à automatiser est compatible.

- Vérifier que la structure mécanique du portail est adaptée pour être équipée d'un automatisme et conforme aux normes locales en vigueur (*éventuellement, se référer aux données figurant sur la plaque signalétique du portail*).

- Vérifier que le poids et les dimensions du vantail rentrent dans les limites d'utilisation indiquées au paragraphe 3.3 « Limites d'utilisation » ;

- Vérifier, en consultant les valeurs indiquées dans le chapitre 9 « Caractéristiques techniques du produit », que :

- la force nécessaire pour faire bouger le vantail du portail, est inférieure à la moitié de la valeur de la force correspondant au « Couple maximum » ;

- la force nécessaire pour maintenir en mouvement le vantail du portail, est inférieure à la moitié de la valeur de la force correspondant au « Couple nominal ». *Note – Pour régler la valeur de la force, il est conseillé d'utiliser une marge de 50% ; cela, parce que les conditions climatiques adverses pourraient faire augmenter les frottements.*

- Ouvrir et fermer manuellement le vantail du portail afin de s'assurer que le mouvement se produit avec un frottement égal et constant sur chaque

point de la course (il ne doit pas y avoir de moments d'effort excessif).

- Vérifier que le vantail du portail reste en équilibre c'est-à-dire qu'il ne bouge pas s'il est porté manuellement dans une position quelconque et laissé à l'arrêt.

- Vérifier que le vantail du portail ne risque pas de sortir de son rail.

- Vérifier que la zone de fixation de l'opérateur n'est pas sujette à inondation ; éventuellement, installer l'opérateur dans une position surélevée par rapport au sol.

- Vérifier que l'espace est suffisant autour de l'opérateur pour effectuer la manœuvre manuelle de débrayage.

- Vérifier que les points d'écrasement entre le vantail du portail et les parties fixes de ce dernier sont protégées, durant les manœuvres d'ouverture et de fermeture.

- Vérifier que les surfaces choisies pour installer les divers dispositifs sont solides et peuvent garantir une fixation stable. En particulier, vérifier que les surfaces choisies pour la fixation des photocellules sont plates et permettent un alignement correct des photocellules.

- Vérifier que chaque dispositif à installer se trouve dans une position protégée, à l'abri des chocs accidentels.

- Vérifier que la plage de température de fonctionnement indiquée sur la plaquette du produit, est compatible avec les caractéristiques climatiques du lieu où il sera installé.

- Si le vantail du portail incorpore un portillon ou si ce portillon est situé sur la zone de mouvement du vantail, vérifier que celle-ci n'empêche pas la course normale du vantail ; si nécessaire, installer un système d'interverrouillage compatible.

- Connecter la logique de commande à une ligne d'alimentation électrique avec mise à la terre.

- Prévoir, sur la ligne d'alimentation de l'automatisme, un dispositif de déconnexion de la ligne électrique d'alimentation ; ce disjoncteur devra garantir une distance d'ouverture des contacts permettant la déconnexion complète dans les conditions de la catégorie de surtension III. Si le dispositif de déconnexion de l'alimentation ne se trouve pas à proximité de l'automatisme, il faut disposer d'un système de blocage contre la connexion accidentelle ou non autorisée.

### 3.3 - Limites d'utilisation du produit

Pour s'assurer que le produit est adapté aux particularités du portail et au contexte spécifique à automatiser, il est nécessaire d'effectuer les vérifications indiquées ci-dessous et de contrôler leur conformité avec les données présentes dans ce paragraphe ainsi qu'avec les données techniques du chapitre « **Caractéristiques techniques du produit** ».

- Vérifier que les dimensions et le poids du vantail se situent dans les limites d'application suivantes :

**longueur maximum 14 m**

**poids maximum 1500 kg**

- Vérifier les dimensions d'encombrement total de l'opérateur en se référant à la **fig. 1**. *Note – Ces mesures servent également de référence pour calculer l'espace occupé par la tranchée pour le passage des conduits des câbles électriques.*

- Vérifier qu'il y a suffisamment de place pour fixer l'opérateur dans la zone choisie.

- Vérifier sur le vantail du portail qu'aux endroits prévus pour la fixation de la crémaillère la surface est adaptée et solide.

**Attention ! – Si le résultat de ces vérifications n'est pas conforme aux prescriptions, ce modèle ne peut pas être utilisé pour automatiser le portail en question.**

### 3.4 - Travaux préalables

La **fig. 2** montre un exemple d'installation d'automatisation réalisée avec les composants **Nice**. Ces composants sont positionnés selon un schéma typique et courant.

En se référant à la **fig. 2**, établir la position approximative dans laquelle chaque composant prévu sera installé.

**Avertissement** – Les dispositifs de commande de type « fixe » doivent être positionnés en vue du portail mais loin de ses parties mobiles.

L'opérateur est configuré en usine pour être installé à la droite du portail.

**ATTENTION ! – Si l'on est obligé d'installer l'opérateur à la gauche du portail, se référer aux instructions figurant dans le chapitre 4 (paragraphe 4.1 - point 07).**

**Composants utiles pour réaliser une installation complète (fig. 2) :**

1 - opérateur électromécanique

2 - paire de photocellules

3 - sélecteur à clé ou clavier numérique

4 - clignotant avec antenne incorporée

2 – Français

5 - pattes de fin de course

6 - crémaillère

7 - colonne pour photocellules

Avant de commencer l'installation du produit, contrôler d'avoir à disposition tous les outils et les matériaux nécessaires pour effectuer le travail. De plus, vérifier que ces derniers sont en bonnes conditions et conformes à ce qui est prévu dans les normes locales sur la sécurité.

Effectuer les travaux pour le creusement des saignées pour les gaines des câbles électriques ou, en alternative, la pose de conduits à l'extérieur, puis la fixation dans le béton des tubes susdits et tous les autres travaux nécessaires pour préparer le site aux opérations successives d'installation.

**En particulier, pour effectuer le trou de la semelle d'ancrage de l'opérateur au sol, procéder de la façon suivante :**

**01.** Effectuer le trou de fondation dans la position dans laquelle l'opérateur sera fixé. **Note** – *Les dimensions du trou doivent être identiques ou supérieures aux dimensions de la plaque de fondation.*

**02.** Préparer les conduits pour le passage des câbles électriques.

**ATTENTION ! – En général, positionner les extrémités des tubes pour le passage des câbles électriques près des points où on a prévu de fixer les différents dispositifs.**

**Note :** *Les tubes servent à protéger les câbles électriques et à éviter les détériorations accidentelles, par exemple en cas de chocs.*

Pour la préparation des câbles électriques nécessaires à l'installation se référer à la **fig. 10-10a** et au « **Tableau 1 - Caractéristiques techniques des câbles électriques** ».

**Tableau 1 : Caractéristiques techniques des câbles électriques**

Connexion	Type de câble	Longueur maximum admise
<b>A :</b> Câble ALIMENTATION	câble 3 x 1,5 mm <sup>2</sup>	30 m ( <b>note 1</b> )
<b>B :</b> Câble CLIGNOTANT avec antenne	câble 2 x 0,5 mm <sup>2</sup> câble blindé type RG58	30 m 20 m (longueur conseillée : moins de 5 m)
<b>C :</b> Câble PHOTOCÉLULES	câble 2 x 0,5 mm <sup>2</sup> (TX) câble 4 x 0,25 mm <sup>2</sup> (RX)	30 m 30 m
<b>D :</b> Câble SÉLECTEUR À CLÉ ou CLAVIER À CODE	câble 4 x 0,25 mm <sup>2</sup>	30 m

**Note générale :** *les câbles nécessaires pour la réalisation de l'installation (non inclus dans l'emballage) peuvent varier en fonction de la quantité et du type de composants prévus sur l'installation.*

**Note 1 :** *si la longueur nécessaire est supérieure, il est possible d'utiliser un câble de diamètre 3 x 2,5 mm<sup>2</sup> ; dans ce cas, il faut prévoir une mise à la terre de sécurité à proximité de l'automatisme.*

**ATTENTION ! – Les câbles utilisés doivent être adaptés au lieu d'installation prévu ; par exemple, pour une pose à l'intérieur de bâtiments, il est conseillé d'utiliser des câbles type H03VV-F et pour la pose à l'extérieur, des câbles type H07RN-F.**

### 3.5 - Installer les composants de l'automatisme

#### RECOMMANDATIONS

- Une installation incorrecte peut causer de graves blessures aux personnes qui effectuent le travail et à celles qui utiliseront le produit.

- Avant de commencer l'assemblage de l'automatisme, faire les contrôles préliminaires décrits dans les paragraphes « 3.2 – Adéquation du lieu d'installation et du portail à automatiser » et « 3.3 – Limites d'utilisation du produit ».

- Prévoir une ou plusieurs gaines pour le passage des câbles électriques.

#### Fixation de la plaque de fondation

**01.** Visser à la main pour chacune des 4 agrafes fournies 1 écrou M 12 bas sur toute la longueur du filet ;

**02.** Enlever les deux cache-vis en les tirant vers le haut (**fig. 3**) ;

**03.** Prévoir une ou plusieurs gaines pour le passage des câbles électriques ;

**04.** Poser la plaque dans le béton en veillant à la mettre parfaitement de niveau.

Il est important de respecter la distance de la plaque de fondation par rapport à la crémaillère (il faut savoir à l'avance si elle sera soudée au portail ou fixée avec des vis et des entretoises) de manière à pouvoir utiliser la fixation à fente de l'opérateur (**fig. 4**).



## Installation de l'opérateur

01. Enlever le carter de l'opérateur, en dévissant avec un tournevis les 4 vis situées sur les côtés (fig. 5). **Note** – Il est conseillé de laisser l'opérateur sans couvercle jusqu'à la fin des phases d'installation et de programmation.
02. Enlever les deux cache-vis en les tirant vers le haut (fig. 6).
03. Poser le THOR1500 sur la plaque de fondation préalablement scellée
04. Visser les 4 écrous bas si on désire régler en hauteur le motoréducteur (10 mm maximum), en cas contraire, ne pas les utiliser (fig. 7).
05. Mettre les 4 rondelles.
06. Serrer à fond les écrous M12 et les éventuels contreécrous bas avec une clé de 19 mm.
07. Remettre les deux cache-vis en faisant pression du haut vers le bas.
08. Débrayer l'opérateur avec la clé prévue à cet usage (se référer au chapitre « Bloquer ou débrayer manuellement l'opérateur » présent dans le « Guide de l'utilisateur »).
09. Porter manuellement le vantail du portail dans la position d'ouverture maximum et positionner le premier tronçon de crémaillère sur le pignon de l'opérateur. **Important** : - la longueur totale de la crémaillère doit être identique à la longueur du vantail du portail ; - la distance entre le pignon et la crémaillère doit être d'environ 1-2 mm pour éviter que le portail pèse trop sur l'opérateur.
10. À ce point, fixer la crémaillère sur le vantail (se référer aux instructions de la crémaillère).
11. Faire coulisser manuellement le vantail pour fixer les autres tronçons de la crémaillère : prendre le pignon comme point de repère et utiliser un niveau pour positionner chaque tronçon de crémaillère à l'horizontale et parfaitement aligné à l'extrémité qui est posée sur le pignon. **Note** – Pour fixer provisoirement les tronçons de crémaillère au vantail, on peut utiliser des serre-joints comme illustré dans la fig. 8. **Conseil** – Si le réglage permis par la crémaillère n'est pas suffisant, il est possible de régler l'opérateur en hauteur, en agissant sur les 2 vis à six pans creux.
12. La crémaillère ne doit pas dépasser par rapport au vantail du portail, donc, si nécessaire, couper la partie qui dépasse.
13. Effectuer manuellement quelques manœuvres d'ouverture et de fermeture du portail, pour vérifier si la crémaillère glisse régulièrement sur le pignon sur toute sa longueur. Vérifier également la distance entre le pignon et la crémaillère qui doit être d'environ 1-2 mm.
14. Positionner, approximativement, les deux pattes de fin de course sur la crémaillère (fig. 9) et en agissant manuellement sur le portail, procéder à la fixation définitive.
15. Fixer les pattes de fin de course, en procédant de la façon suivante :
  - a) porter manuellement le vantail en position d'ouverture en s'arrêtant à au moins 2 - 3 cm de la butée mécanique ;
  - b) faire coulisser la patte de fin de course sur la crémaillère, dans le sens de l'ouverture, jusqu'à l'intervention du fin de course. Faire avancer ensuite la patte d'au moins 2 cm puis la bloquer sur la crémaillère avec les goujons fournis.
  - c) effectuer la même opération pour fixer le fin de course de fermeture.
16. Pour finir, bloquer l'opérateur avec la clé prévue à cet usage (se référer au chapitre « Bloquer ou débrayer manuellement l'opérateur » présent dans le « Guide de l'utilisateur »).

- f - Bornier Entrées / Sorties de commande
- g - Connecteur entrée des fins de course
- h - Bornier sortie clignotant / éclairage automatique
- i - Connecteur Condensateur
- l - Connecteur sortie alimentation moteur
- m - Bornier d'alimentation
- n - Led signalisation radio
- o - Fusible de basse tension (315 mA F)
- p - Trimmer de réglage de la force (F)
- q - Led « OK »
- r - Transformateur
- s - Fusible de ligne (5 A F)

### ATTENTION !

- Pour éviter les situations de danger, durant les opérations de connexion, la logique de commande ne doit pas être alimentée.
- Une connexion incorrecte peut provoquer des pannes ou des situations de danger ; respecter par conséquent scrupuleusement les connexions indiquées.
- Il existe des normes précises à respecter de manière stricte, aussi bien en ce qui concerne la sécurité des installations électriques que les portails automatiques.

Pour effectuer les connexions électriques, il faut enlever le couvercle de la logique de commande comme illustré fig.12 et procéder en suivant les indications de la fig. 11 et du paragraphe « Description des connexions électriques ». Pour finir, fixer le câble d'alimentation avec le presse-étoupe (fig. 13).

Pour une sécurité électrique correcte et un bon fonctionnement de l'automatisme il faut effectuer la mise à la terre sur la borne indiquée dans la fig. 11.

### Description des connexions électriques

Nous décrivons ci-après les connexions de la logique de commande pour les dispositifs de commande et de sécurité :

Bornes	Fonction	Description
1 - 2 - 3	Alimentation	Ligne d'alimentation de secteur
4 - 5	Clignotant	Sortie pour connexion du clignotant à la tension de secteur (Max. 40 W)
8 - 9	24 Vca	Alimentation services 24 Vca +/- 25% (Max. 150 mA)
9	Commun	Commun pour toutes les entrées
10	Halte	Entrée avec fonction de « Halte » (arrêt et brève inversion)
11	Photo	Entrée pour dispositifs de sécurité
12	Pas à pas	Entrée pour mouvement cyclique (PP) (« Ouverture » – « Stop » – « Fermeture » – « Stop »)
1	Antenne +	Entrée pour antenne récepteur radio
2	Antenne masse	Entrée pour antenne récepteur radio

### Recommandations :

- Les entrées des contacts de type NF (Normalement Fermé), si elles ne sont pas utilisées, doivent être « shuntées » et, si elles sont plus d'une, elles doivent être mises en SÉRIE entre elles ;
- Les entrées des contacts de type NO (Normalement Ouvert), si elles ne sont pas utilisées, doivent être laissées libres et, si elles sont plus d'une, elles doivent être mises en PARALLÈLE entre elles.
- Les contacts, doivent absolument être de type mécanique et libres de tout potentiel, les connexions à étages type « PNP », « NPN », « Open Collector » etc. ne sont pas admises.

## 4.1 - Première mise en service et vérification des connexions

**ATTENTION !** – Toutes les opérations successives décrites dans le guide sont effectuées sur des circuits électriques sous tension et les manœuvres peuvent donc être dangereuses ! Procéder par conséquent en prenant toutes les précautions.

01. Alimenter la logique de commande et vérifier la présence entre les bornes 8-9 d'une tension d'environ 24 Vca.
02. Vérifier que la Led « OK », après avoir émis quelque clignotement rapide, émet des clignotements à un rythme régulier.
03. À ce point, vérifier que les leds relatives aux entrées avec contacts type NF sont allumées (= toutes les sécurités actives) et que les leds relatives aux entrées NO sont éteintes (= aucune commande présente). Si ce n'est pas le cas, il faut contrôler les différentes connexions et le bon fonctionnement des différents dispositifs. L'entrée « Halte » intervient en désactivant tant le fin de course d'ouverture (FCA) que le fin de course de fermeture (FCC).

## 4 CONNEXIONS ÉLECTRIQUES

À ce point, après avoir installé l'opérateur et les dispositifs de commande (sélecteur à clé ou à code) et de sécurité (arrêt d'urgence, photocellules, bords sensibles, clignotant), on peut procéder aux connexions électriques en se référant aux paragraphes qui suivent et à l'exemple de la fig. 10-10a. La logique de commande présente une série de fonctions sélectionnables à l'aide de dip-switches (mini-sélecteurs) et des réglages effectuables à l'aide de trimmers (fig. 11).

Les leds des entrées (fig. 11) signalent l'état de fonctionnement des composants de l'automatisation ; tandis que la led « OK » (fig. 11), signale le fonctionnement correct de la logique proprement dite. D'autre part, la logique de commande incorpore un récepteur radio multicode.

### Composants de la logique de commande (fig. 11) :

- a - Bornier pour antenne
- b - Dip-switches de sélection des fonctions
- c - Touche Radio
- d - Trimmer de réglage Temps de Travail (TL)
- e - Trimmer de réglage Temps de Pause (TP)

- 04.** Vérifier la connexion des fins de course : bouger le levier du fin de course et vérifier que le fin de course intervient en éteignant la led correspondante sur la logique de commande.
- 05.** Débrayer l'opérateur, porter le vantail à mi-course puis bloquer l'opérateur. De cette manière, le vantail du portail est libre d'effectuer l'ouverture ou la fermeture.
- 06.** Vérifier que le mouvement du vantail s'effectue dans la bonne direction par rapport à celle qui est signalée par la logique. **Important – Cette vérification est obligatoire. Si le sens de manœuvre du vantail ne correspond pas à celui qui est signalé par la logique, l'automatisme pourrait fonctionner régulièrement en apparence (le cycle « Ouverture » est semblable au cycle « Fermeture »), mais en réalité les dispositifs de sécurité pourraient être ignorés durant l'exécution de la manœuvre de fermeture. Dans ce cas, les dispositifs de sécurité n'interviendraient que durant la manœuvre d'ouverture en provoquant ainsi une refermeture contre l'obstacle, avec des effets désastreux !**
- 07.** Vérifier que le sens de rotation du moteur est correct : envoyer une brève impulsion sur l'entrée PP, la logique de commande comme première manœuvre effectuée toujours l'ouverture ; il suffit donc de vérifier que le moteur bouge lui aussi dans le sens de l'ouverture.  
Si ce n'est pas le cas, procéder de la façon suivante :
- couper l'alimentation électrique de la logique de commande.
  - tourner de 180° le connecteur d'alimentation du moteur (l - fig. 11) et celui des fins de course (g - fig. 11) ;
  - alimenter de nouveau la logique et répéter la vérification décrite au point 07.

La led « OK » présente sur la logique de commande (fig. 11) sert à signaler l'état de fonctionnement de cette dernière :

- 1 clignotement régulier toutes les seconde = indique que le microprocesseur interne est actif et prêt à recevoir les commandes.
- 1 double clignotement rapide = indique quand le microprocesseur détecte une variation de l'état de fonctionnement d'une entrée (tant d'une entrée de commande que du Dip-Switch des fonctions) ; on a ce signal même si la variation détectée ne provoque pas d'effets immédiats.
- 1 clignotement très rapide pendant 3 secondes = indique que la logique de commande a été alimentée et qu'elle est en train d'effectuer un test pour vérifier l'état de fonctionnement.
- 1 clignotement à un rythme irrégulier = indique que le test de vérification ne s'est pas conclu positivement et qu'il y a donc une anomalie.

## 5 RÉGLAGE DES PARAMÈTRES

Il est possible de régler les paramètres de fonctionnement de la logique de commande en utilisant les « trimmers » (fig. 11) présents sur cette dernière.

• **Temps de Travail (TL)** : en mode de fonctionnement « Semi-automatique » ce paramètre règle la durée maximum de la manœuvre d'Ouverture ou de Fermeture. Pour régler ce paramètre, procéder de la façon suivante : **a)** sélectionner le mode de fonctionnement « Semi-automatique » et positionner le Dip-Switch 1 sur « ON » ; **b)** positionner le « Trimmer TL » à mi-course ; **c)** effectuer un cycle complet d'Ouverture et de Fermeture et vérifier que la durée maximum programmée, de la manœuvre d'Ouverture ou de Fermeture, est suffisante et qu'il reste une marge de 2 ou 3 secondes ; si nécessaire régler de nouveau le « Trimmer TL » à la valeur maximum. Si ce temps de durée n'est pas encore suffisant, il faut couper le cavalier TLM placé près du Trimmer TL (fig. 11), de manière à obtenir un « Temps de Travail Majoré » (TLM).

Si l'on souhaite utiliser la fonction de ralentissement, il faut régler le Trimmer de manière que la phase de ralentissement commence 50-70 cm avant l'intervention des fins de course.

Une éventuelle modification de ce paramètre sera visible durant l'exécution de la première manœuvre d'Ouverture, commandée après avoir effectué la modification.

• **Temps de Pause (TP)** : en mode de fonctionnement « Automatique » ce paramètre règle le temps qui doit s'écouler entre la fin de la manœuvre d'Ouverture et le début de la manœuvre de Fermeture. Pour régler ce paramètre, procéder de la façon suivante : **a)** sélectionner le mode de fonctionnement « Automatique » en positionnant le Dip-Switch 2 sur « ON » ; **b)** régler le « Trimmer TP » suivant les désirs ; **c)** pour vérifier si le temps programmé est correct, effectuer une manœuvre d'Ouverture complète et contrôler le temps qui s'écoule avant le début de la manœuvre de Fermeture.

• **Force (F) : Attention** – Le réglage de ce paramètre peut influencer considérablement le degré de sécurité de l'automatisme, il faut donc faire particulièrement attention durant cette opération.

Pour régler ce paramètre il faut procéder par tentatives : il faut mesurer la force appliquée par le vantail du portail durant l'exécution d'une manœuvre et la comparer avec les valeurs prévues par les normes locales en vigueur.

### Modalités de fonctionnement

**Pas à pas (PP)** : cette modalité, utilisée en mode manuel (commande à action maintenue), active alternativement la manœuvre d'Ouverture et de Fermeture et, quand la commande cesse, la manœuvre en cours s'arrête. La manœuvre s'arrête aussi, en Ouverture comme en Fermeture, quand les fins de course interviennent ; de plus, en Fermeture, le mouvement s'arrête également si les dispositifs de sécurité « Photo » n'ont pas autorisé la manœuvre. Par contre, si la fonction « HALTE » intervient, aussi bien en Ouverture qu'en Fermeture, la manœuvre s'arrête immédiatement et une brève inversion s'active.

Quand la manœuvre s'arrête, il faut terminer l'envoi de la commande avant d'en envoyer une nouvelle.

En effet, en utilisant la modalité « Pas à pas » dans l'un des modes automatiques (« Semi-automatique », « Automatique » ou « Ferme toujours ») l'envoi d'une commande fait activer alternativement la manœuvre d'Ouverture et de Fermeture et un deuxième envoi de commande active le « Stop ». Par contre, si la fonction « HALTE » intervient, aussi bien en Ouverture qu'en Fermeture, la manœuvre s'arrête immédiatement et une brève inversion s'active.

Si on utilise le mode de fonctionnement automatique, après une manœuvre d'Ouverture, il y a une pause et à la fin de celle-ci, une manœuvre de Fermeture est exécutée.

Si durant la pause, les dispositifs de sécurité « Photo » interviennent, le temporisateur sera remis à zéro, avec un nouveau Temps de Pause ; si par contre « Halte » intervient durant la pause, la fonction de fermeture automatique s'annule et un « Stop » s'active.

Durant la manœuvre d'Ouverture, l'intervention de « Photo » n'a aucun effet ; tandis que durant la Fermeture elle provoque une inversion de la manœuvre, puis une pause et ensuite la Fermeture.

### Fonctions programmables

La logique de commande dispose d'une série de micro-interrupteurs permettant d'activer différentes fonctions qui rendent l'automatisme plus adapté aux exigences de l'utilisateur et plus sûr pour les différentes conditions d'utilisation.

Pour activer ou désactiver les fonctions on utilise le Dip-switch 1 ou 2 : elles **s'activent** en le mettant sur « ON » et se **désactivent** en le mettant sur « OFF ».

Quelques unes des fonctions disponibles sont liées à la sécurité, il est donc important d'évaluer attentivement quelle est la fonction la plus sûre.

Les Dip-Switches permettent de sélectionner les différents modes de fonctionnement et de programmer les fonctions désirées, décrites dans le

Tableau A :

Tableau A

<b>Switch 1-2 :</b>	Off-Off	Mouvement « Manuel » <i>c'est-à-dire à commande maintenue</i>
	On-Off	Mouvement « Semi-automatique »
	OFF	Mouvement « Automatique » <i>c'est-à-dire fermeture automatique</i>
	On-On	Mouvement « Automatique » + « Ferme toujours »
<b>Switch 3 :</b>	On	Fonctionnement Collectif ( <i>non disponible en mode manuel</i> )
<b>Switch 4 :</b>	On	Préclignotement
<b>Switch 5 :</b>	On	Referme 5 secondes après « Photo » si programmé en « Automatique » ou « Ferme après Photo » si programmé en « Semi-Automatique »
<b>Switch 6 :</b>	On	Sécurité « Photo » aussi en Ouverture
<b>Switch 7 :</b>	On	Démarrage progressif
<b>Switch 8 :</b>	On	Ralentissement
<b>Switch 9 :</b>	On	Frein
<b>Switch 10 :</b>	On	Pas utilisé

#### Switch 1-2

En mode de fonctionnement « Manuel » la manœuvre n'est exécutée que tant que la commande est active (touche pressée sur l'émetteur en mode action maintenue).

En mode de fonctionnement « Semi-Automatique » un envoi de commande fait exécuter la manœuvre complète jusqu'à l'expiration du « Temps de Travail » ou jusqu'à ce que le fin de course soit atteint.

En mode de fonctionnement « Automatique », après une manœuvre d'Ouverture, il y a une pause et à la fin de celle-ci, une manœuvre de Fermeture est exécutée automatiquement.

La fonction « Ferme Toujours » intervient après une panne de courant électrique ; si, au retour de l'alimentation, la logique de commande détecte le vantail du portail en position d'Ouverture, elle lance automatiquement



une manœuvre de Fermeture précédée de 5 secondes de préclignotement.

### Switch 3

En mode de fonctionnement « Collectif », quand une commande « Pas à pas » est envoyée et qu'une manœuvre d'Ouverture commence, celle-ci ne peut être interrompue par aucun autre envoi de commande « Pas à pas » ou « Ouverture » par radio jusqu'à la fin de ladite manœuvre.

Par contre, dans la manœuvre de Fermeture, l'envoi d'une nouvelle commande « Pas à pas » provoque l'arrêt et l'inversion de la manœuvre en question.

### Switch 4

Quand une commande est envoyée, on a d'abord l'activation du clignotant puis, 5 secondes plus tard (2 secondes si le mode de fonctionnement « Manuel » est programmé) la manœuvre commence.

### Switch 5

Cette fonction, si elle est programmée en mode de fonctionnement « Automatique », permet de maintenir le vantail du portail ouvert uniquement le temps nécessaire au transit de véhicules ou de personnes ; en effet, à la fin de l'intervention des dispositifs de sécurité « Photo », la manœuvre s'arrête et 5 secondes plus tard on a automatiquement le début d'une manœuvre de Fermeture.

Par contre, si la fonction est programmée en mode « Semi-automatique », quand les dispositifs de sécurité « Photo » interviennent, durant la manœuvre de Fermeture la Fermeture automatique s'active avec la durée du « Temps de Pause » programmé.

### Switch 6

Généralement, la fonction de sécurité « Photo » n'est active que pour la manœuvre de Fermeture, si le Dip-Switch 6 est mis sur « ON », l'intervention du dispositif de sécurité provoque une interruption de la manœuvre aussi en Ouverture. Par contre si le mode de fonctionnement « Semi-Automatique » ou « Automatique » est programmé, la reprise de la manœuvre d'Ouverture commencera juste après le dégagement des dispositifs de sécurité.

### Switch 7

En programmant cette fonction, le début de la manœuvre s'effectuera de façon progressive ; de cette manière, il est possible d'éviter des secousses non désirées.

### Switch 8

Le ralentissement consiste en une réduction de la vitesse à 30% de la vitesse nominale ; cela réduit la force d'impact du vantail à la fin d'une manœuvre.

Quand cette fonction est activée, il faut agir sur le trimmer « Temps de Travail (TL) » dans la mesure où le début de la phase du ralentissement est lié au Temps de Travail programmé. Il faut donc régler le TL de manière que la phase de ralentissement commence environ 50-70 cm avant l'intervention des fins de course.

La fonction de ralentissement, en plus de diminuer la vitesse de l'automatisme, réduit de 70% le couple du moteur. **ATTENTION** – Dans les automatismes qui nécessitent un couple du moteur élevé, cette fonction de ralentissement pourrait provoquer l'arrêt immédiat du moteur.

### Switch 9

En programmant cette fonction, à la fin d'une manœuvre on a une procédure de freinage du moteur ; initialement modérée, puis plus intense de manière à arrêter rapidement le vantail sans provoquer de secousses.

### Switch 10

Pas utilisé.

## 6

## PROGRAMMATION DU RÉCEPTEUR RADIO

### • Installation d'une antenne extérieure

Si l'antenne fournie se trouve dans une position défavorable et que le signal radio est faible, pour améliorer la réception il est conseillé de remplacer celle-ci en installant une antenne extérieure (mod. ABF ou ABFKIT). La nouvelle antenne doit être positionnée le plus haut possible et au-dessus d'éventuelles structures métalliques ou de béton armé présentes dans la zone.

### • Connexion à la logique de commande

Pour connecter le récepteur à la logique, utiliser un câble coaxial avec impédance de 50 ohms (par exemple, le câble RG58 à faible perte). **Attention !** – Pour réduire la dispersion du signal, utiliser un câble le plus court possible (il ne doit pas dépasser 10 m).

### Recommandations pour la programmation

• Les opérations de programmation présentes dans ce chapitre demandent l'emploi de la touche « c » et de la Led « n » (fig. 11) sur le récepteur (fig. 11). La Led indique l'état des opérations en cours en émettant un nombre donné de clignotements et avec une durée spécifique. Le « Tableau C » décrit les significations des clignotements.

• Il est conseillé de lire d'abord les procédures et d'effectuer ensuite les opérations, en accomplissant les étapes de chaque procédure l'une après l'autre.

### **ATTENTION !** – Avant de mémoriser un émetteur, lire attentivement le texte ci-après.

Le récepteur peut mémoriser uniquement les émetteurs appartenant à l'une des 3 familles de codage suivantes :

- famille formée des codages « O-Code », « FloR » et « TTS » ;
- famille formée du codage « Flo » ;
- famille formée du codage « Smilo ».

**Note** – Dans le récepteur, chaque codage permet d'utiliser uniquement les fonctions typiques du codage en question.

### **Attention !** – la famille de codage à laquelle appartient le premier émetteur mémorisé dans le récepteur définit aussi la famille à laquelle devront appartenir les émetteurs que l'on désire mémoriser par la suite.

Pour modifier la famille de codage présente dans le récepteur, il faut effectuer la procédure d'« Effacement total de la mémoire du récepteur ».

Pour vérifier si des émetteurs sont déjà mémorisés dans le récepteur et pour connaître leur famille de codage, procéder de la façon suivante :

01. Couper l'alimentation électrique du récepteur.
02. Rétablir l'alimentation électrique du récepteur et compter le nombre de clignotements de couleur **verte** qu'émet la led du récepteur.
03. Comparer enfin le nombre de clignotements que l'on vient de compter avec le tableau suivant :
  - 1 clignotement = codage Flo
  - 2 clignotements = codage O-Code / FloR / TTS
  - 3 clignotements = codage Smilo
  - 5 clignotements = aucun émetteur activé

**Attention !** – Avant de commencer la procédure de mémorisation d'un émetteur, lire attentivement tous les modes de mémorisation décrits ci-après pour évaluer lequel d'entre eux est le plus approprié.

### **6.1 - Modes de mémorisation d'un émetteur : « Mode I » et « Mode II »**

En général, l'association entre ces commandes et les touches d'un émetteur peut être faite de deux manières différentes :

• **Mode I** : ce mode permet de mémoriser dans le récepteur, en une seule fois, toutes les touches de l'émetteur ou un seul groupe de touches (uniquement dans les émetteurs qui possèdent plusieurs codes d'identité comme par exemple le modèle ON9). Avec cette modalité, les touches de l'émetteur sont associées automatiquement aux commandes préétablies dans la logique de commande.

• **Mode I** : ce mode permet de mémoriser dans le récepteur une seule touche de l'émetteur. Il est possible de choisir quelle commande programmer parmi celles disponibles dans la logique de commande (maximum 4).

#### **Procédure de mémorisation en « Mode I »**

**N.B.** – Cette procédure mémorise simultanément toutes les touches de l'émetteur ou un seul groupe de touches.

01. Presser et maintenir enfoncée la touche sur le récepteur jusqu'à ce que la Led **verte** s'allume sur le récepteur. Relâcher ensuite la touche.
02. (dans les 10 secondes qui suivent) sur l'émetteur à mémoriser, presser et maintenir enfoncée une touche quelconque jusqu'à ce que la led sur

le récepteur émette le premier des 3 clignotements de couleur verte qui signalent que la mémorisation a eu lieu.

**Note** – À la fin des 3 clignotements, on dispose encore de 10 secondes pour mémoriser d'autres émetteurs.

### Procédure de mémorisation en « Mode II »

**N.B.** - Cette procédure mémorise une seule touche de l'émetteur. Il faut donc répéter la procédure de programmation pour chaque touche de l'émetteur que l'on souhaite mémoriser.

**01.** Consulter le « **Tableau des commandes** » pour choisir les commandes disponibles ; choisir la commande que l'on désire attribuer à la touche de l'émetteur à mémoriser puis noter le numéro qui correspond à la commande.

**02.** Sur le récepteur, presser la touche un nombre de fois identique au numéro de la commande, noté précédemment ; la led du récepteur émet le même nombre de clignotements répétés.

**03.** (sur l'émetteur, dans les 10 secondes qui suivent) Maintenir la pression sur la touche choisie pour la mémorisation jusqu'à ce que la led du récepteur émette le premier des 3 clignotements (= mémorisation effectuée).

**Note** – Après les trois clignotements, on dispose encore de 10 secondes pour mémoriser la même commande sur d'autres touches du même émetteur ou d'un nouvel émetteur.

### Tableau des commandes

sortie 1 = **PAS À PAS**

sortie 2 = **HALTE**

sortie 3 = **OUVERTURE**

sortie 4 = **FERMETURE**

## 6.2 - Mémorisation d'un nouvel émetteur en utilisant la procédure « à proximité du récepteur »

[Il est nécessaire de disposer d'un émetteur déjà mémorisé]

Il est possible de mémoriser un NOUVEL émetteur dans la mémoire du récepteur sans agir directement sur la touche de ce récepteur mais en opérant simplement dans son rayon de réception. Pour activer la procédure, il faut disposer d'un ANCIEN émetteur, déjà mémorisé (en « Mode I » ou en « Mode II ») et fonctionnant. La procédure permettra au NOUVEL émetteur de recevoir les mêmes réglages que l'ANCIEN.

### Recommandations :

- La procédure doit être effectuée en opérant dans le rayon de réception du récepteur (à 10-20 m du récepteur).
- Répéter toute la procédure pour chaque émetteur que l'on souhaite mémoriser.

Il est possible d'utiliser l'une des procédures suivantes, suivant les préférences :

### Procédure standard

- 01.** Sur le NOUVEL émetteur, maintenir enfoncée pendant au moins 5 secondes la touche ... (**note 1**) puis la relâcher.
- 02.** Sur l'ANCIEN émetteur, presser lentement 3 fois de suite la touche ... (**note 2**) puis la relâcher.
- 03.** Sur le NOUVEL émetteur, presser 1 fois la même touche que celle pressée au point 01 puis la relâcher.

### Procédure alternative

- 01.** Sur le NOUVEL émetteur, maintenir enfoncée pendant au moins 3 secondes la touche ... (**note 1**) puis la relâcher.
- 02.** Sur l'ANCIEN émetteur, maintenir enfoncée pendant au moins 3 secondes la touche.... (**note 2**) puis la relâcher.
- 03.** Sur le NOUVEL émetteur, maintenir enfoncée pendant au moins 3 secondes la même touche que celle pressée au point 01 puis la relâcher.
- 04.** Sur l'ANCIEN émetteur, maintenir enfoncée pendant au moins 3 secondes la même touche que celle pressée au point 02, jusqu'à ce que la Led verte L1 du récepteur émette 3 clignotements, qui signalent que la mémorisation a eu lieu.

**Note 1** – Presser une touche quelconque, si l'ANCIEN émetteur est mémorisé en « Mode I » ou presser la touche que l'on souhaite mémoriser si l'ANCIEN émetteur est mémorisé en « Mode II ».

**Note 2** – Presser une touche quelconque, si cet émetteur est mémorisé en « Mode I » ou presser la touche avec la commande que l'on souhaite transférer si cet émetteur est mémorisé en « Mode II ».

## 6.3 - Effacement total de la mémoire du récepteur

Pour effacer de la mémoire du récepteur tous les émetteurs mémorisés ou, en alternative, toutes les données présentes, agir comme suit :

- 01.** Presser et maintenir enfoncée longuement la touche du récepteur

jusqu'à ce que la **led verte** s'allume et observer ses variations d'état :

- au bout d'environ 4 secondes, la led verte s'allume ;
- ensuite, au bout environ 4 secondes, la led verte s'éteint ;
- pour finir, au bout d'environ 4 secondes, la led verte commence à clignoter.

- 02.** À ce point, pour effacer tous les émetteurs relâcher la touche **exactement durant le 3<sup>e</sup> clignotement** de la led verte ; ou bien, pour effacer toute la mémoire du récepteur (y compris les configurations et la famille de codage des émetteurs) relâcher la touche **exactement durant le 5<sup>e</sup> clignotement** de la led verte.

## 7 ESSAI ET MISE EN SERVICE

**ATTENTION !** – Les opérations décrites dans ce chapitre doivent être exécutées exclusivement par du personnel qualifié et expert, en respectant les instructions du guide, les lois et les normes de sécurité en vigueur sur le territoire.

Il s'agit de la phase la plus importante dans la réalisation de l'automatisation afin de garantir la sécurité maximum de l'installation. La procédure d'essai décrite peut être utilisée aussi pour vérifier périodiquement les dispositifs qui composent l'automatisation.

Les phases de l'essai et de la mise en service de l'automatisme doivent être effectuées par du personnel qualifié et expérimenté qui devra se charger d'établir les essais nécessaires pour vérifier les solutions adoptées en fonction du risque présent et s'assurer du respect de tout ce qui est prévu par les lois, les normes et les réglementations, en particulier, de toutes les prescriptions de la norme EN 12445 qui établit les méthodes d'essai pour le contrôle des automatismes de portails.

### 7.1 - Essai de l'automatisme

Chaque élément de l'automatisation comme par exemple les bords sensibles, les photocellules, l'arrêt d'urgence, etc. demande une phase spécifique d'essai ; pour ces dispositifs, il faut effectuer les procédures figurant dans les notices techniques correspondantes.

Pour l'essai, procéder de la façon suivante :

- 1** Vérifier que tout ce qui est prévu dans le chapitre « AVERTISSEMENTS ET PRÉCAUTIONS GÉNÉRALES POUR LA SÉCURITÉ » en matière de sécurité est rigoureusement respecté ;
- 2** Débrayer l'opérateur avec la clé prévue à cet usage (se référer au chapitre « Bloquer ou débrayer manuellement l'opérateur » présent dans le « Guide de l'utilisateur ») ;
- 3** Vérifier qu'il est possible de manœuvrer manuellement le portail en ouverture comme en fermeture ;
- 4** Bloquer l'opérateur avec la clé prévue à cet usage (se référer au chapitre « Bloquer ou débrayer manuellement l'opérateur ») ;
- 5** En utilisant les dispositifs de commande ou d'arrêt présents dans l'automatisation (sélecteur à clé, boutons de commande, émetteurs, etc.), effectuer des essais d'ouverture et de fermeture du portail en vérifiant que le comportement du portail correspond à ce qui est prévu. Il convient d'effectuer différentes manœuvres pour contrôler la fluidité du mouvement et détecter les éventuels défauts de montage et de réglage ainsi que la présence de points de frottement ;
- 6** Vérifier un par un le fonctionnement correct de tous les dispositifs de sécurité présents dans l'installation (photocellules, bords sensibles, etc.) et contrôler que le comportement de l'automatisation correspond à ce qui est prévu. A chaque fois qu'un dispositif de sécurité intervient, la led « OK » sur la logique de commande doit effectuer 2 clignotements plus rapides qui confirment qu'elle reconnaît l'événement ;
- 7** Effectuer la mesure de la force d'impact suivant les prescriptions de la norme EN 12445. Si le contrôle de la « force moteur » est utilisé par la logique de commande comme soutien du système pour la réduction de la force d'impact, essayer de régler les fonctions qui offrent les meilleurs paramètres ;
- 8** Fixer de façon permanente, dans une zone proche de l'automatisation, une étiquette qui décrit comment débrayer manuellement l'opérateur.

### 7.2 - Mise en service de l'automatisme

La mise en service ne peut avoir lieu que si toutes les phases d'essai ont été effectuées avec résultat positif. La mise en service partielle ou dans des situations « provisoires » n'est pas autorisée.

- 1** Réaliser et conserver pendant au moins 10 ans le dossier technique de l'automatisme qui devra comprendre les documents suivants : dessin d'ensemble de l'automatisation, schéma des connexions électriques effectuées, analyse des risques présents et solutions adoptées, déclaration de conformité du fabricant de tous les dispositifs utilisés, la déclara-

tion de conformité remplie par l'installateur, exemplaire du guide de l'utilisateur et du plan de maintenance de l'automatisme ;

- 2 Appliquer sur le portail une plaquette contenant au moins les données suivantes : type d'automatisme, nom et adresse du constructeur (responsable de la « mise en service »), numéro de série, année de construction et marque CE ;
- 3 Remplir et remettre au propriétaire de l'automatisme la déclaration de conformité ; il faut remplir pour cela le document « **Déclaration CE de conformité** » ;
- 4 Remplir et remettre au propriétaire de l'automatisme le « **Guide de l'utilisateur** » ;
- 5 Réaliser et remettre au propriétaire de l'automatisme le « **Plan de maintenance** » qui réunit les prescriptions pour la maintenance de tous les dispositifs de l'automatisme ;
- 6 Avant de mettre l'automatisme en service, informer de manière adéquate le propriétaire sur les risques résiduels.

## MISE AU REBUT DU PRODUIT

**Ce produit est partie intégrante de l'automatisme et doit donc être mis au rebut avec ce dernier.**

Comme pour l'installation, à la fin de la durée de vie de ce produit, les opérations de démantèlement doivent être effectuées par du personnel qualifié. Ce produit est constitué de différents types de matériaux : certains peuvent être recyclés, d'autres doivent être mis au rebut. Informez-vous sur les systèmes de recyclage ou de mise au rebut prévus par les règlements, en vigueur dans votre pays, pour cette catégorie de produit.

**Attention !** – certains composants du produit peuvent contenir des substances polluantes ou dangereuses qui pourraient avoir des effets nuisibles sur l'environnement et sur la santé des personnes s'ils étaient jetés dans la nature.

Comme l'indique le symbole ci-contre, il est interdit de jeter ce produit avec les ordures ménagères. Par conséquent, utiliser la méthode de la « collecte sélective » pour la mise au rebut des composants conformément aux prescriptions des normes en vigueur dans le pays d'utilisation ou restituer le produit au vendeur lors de l'achat d'un nouveau produit équivalent.



**Attention !** – les règlements locaux en vigueur peuvent appliquer de lourdes sanctions en cas d'élimination illicite de ce produit.

## INTERVENTIONS DE MAINTENANCE PÉRIODIQUE

En général, le présent produit n'a pas besoin d'être soumis à une maintenance particulière ; toutefois, un contrôle régulier dans le temps permet de garantir le fonctionnement régulier de l'installation et l'efficacité des dispositifs de sécurité installés.

L'automatisme a besoin d'une maintenance périodique pour pouvoir fonctionner le plus longtemps possible et en toute sécurité. Il faut planifier la maintenance de l'automatisme à intervalle périodique. Il faut effectuer une maintenance programmée au maximum tous les 6 mois.

Pour effectuer les contrôles de maintenance, procéder de la façon suivante.

**ATTENTION !** – Avant toute vérification, il faut déconnecter toutes les sources d'alimentation électrique.

- Vérifier l'état de détérioration de tous les composants de l'automatisme avec une attention particulière pour les phénomènes d'érosion ou d'oxydation des parties structurelles ; remplacer éventuellement les parties qui ne donnent pas de garanties suffisantes.
- Vérifier l'état d'usure des parties en mouvement : pignon, crémaillère et toutes les parties qui composent le vantail du portail ; remplacer les pièces usées.
- À la fin des vérifications de maintenance, reconnecter les sources d'alimentation électrique et effectuer tous les essais et les contrôles prévus dans le chapitre 4.

## CARACTÉRISTIQUES TECHNIQUES DU PRODUIT

**AVERTISSEMENT:** • Toutes les caractéristiques techniques indiquées se réfèrent à une température ambiante de 20°C (± 5°C). • Nice S.p.a. se réserve le droit d'apporter des modifications à ce produit à tout moment dès lors qu'elle le jugera nécessaire, à condition que sa fonctionnalité et sa finalité d'utilisation restent inchangées.

■ Alimentation de secteur	230 Vca 50 Hz
■ Moteur	asynchrone monophasé
■ Type de fin de course	électromécanique
■ Puissance max. absorbée	350 W (peak 500 W)
■ Absorption de la ligne	1.6 A
■ Condensateur incorporé	14 µF
■ Indice de protection :	IP 44
■ Couple maximum (correspondant à une force de)	35 Nm (1100 N)
■ Couple nominal (correspondant à une force de)	12 Nm (360 N)
■ Vitesse nominale	0.16 m/s
■ Protection thermique	140 °C
■ Poids maximum du vantail	1500 kg
■ Longueur maximum du vantail	12 m
■ Nb max. cycles/heure	15 (vantail 6 mètres)
■ Nb max. cycles consécutifs	5
■ Dimensions	335 x 203 x h 275
■ Poids	11.5 kg
■ Courant max. services 24 V	150 mA (la tension peut varier de ± 25%)
■ Sortie clignotant	Pour clignotants à la tension de secteur, puissance max. 40 W
■ Température de service	de -20 à +50 °C
■ Temps de travail	Réglable de 2,5 à > 40 s, ou de < 40 à > 80 s avec TLM
■ Temps de pause	Réglable de 5 à > 80 s
■ Décodage	« O-Code » / « FloR » / « TTS » ; ou « Flo »; ou « Smilo »
■ Fréquence réception	433,92 MHz
■ Sensibilité	supérieure à 0,5 µV
■ Impédance d'entrée	52 ohms

# GUIDE DE L'UTILISATEUR

(à remettre à l'utilisateur de l'automatisme)

**IMPORTANT** – Cette notice d'instructions contient des informations importantes concernant la sécurité ; il faut lire toutes les instructions avant d'utiliser le produit. Conserver soigneusement ce guide pour d'éventuelles consultations futures.

## RECOMMANDATIONS ET PRÉCAUTIONS POUR L'UTILISATION

Il est absolument interdit de toucher des parties de l'automatisme quand le portail est en mouvement !

- Avant d'utiliser pour la première fois l'automatisme, consacrez quelques minutes à la lecture de ce guide, qui vous a été remis par l'installateur de l'automatisme. D'autre part, faites-vous expliquer par ce dernier l'origine des risques résiduels.

- Conservez ce guide pour pouvoir le consulter pour n'importe quel doute futur et remettez-le à tout nouveau propriétaire de l'automatisme.

- Votre automatisme est un équipement qui exécute fidèlement vos commandes ; une utilisation inconsciente et incorrecte peut le rendre dangereux. Ne commandez pas le mouvement de l'automatisme si des personnes, des animaux ou des objets se trouvent dans son rayon d'action.

- **Enfants** : cet automatisme garantit un haut niveau de sécurité, en empêchant grâce à ses systèmes de détection le mouvement en présence de personnes ou de choses. De plus, il garantit une activation toujours prévisible et sûre. Dans tous les cas, il est prudent de ne pas laisser les enfants jouer à proximité de l'automatisme. Pour éviter des activations involontaires de l'automatisme, ne pas laisser les émetteurs à leur portée (l'émetteur n'est pas un jouet !).

- Contrôlez fréquemment l'automatisme à la recherche d'éventuels signes d'usure, dommages ou déséquilibres. Suspendre immédiatement l'utilisation si une maintenance est nécessaire.

- Vérifier périodiquement le fonctionnement correct des photocellules et faire effectuer au moins tous les 6 mois les contrôles de maintenance prévus.

- Les photocellules ne sont pas un dispositif de sécurité mais uniquement un dispositif auxiliaire à la sécurité. Elles sont construites avec une technologie à très haute fiabilité mais peuvent subir, dans des situations extrêmes, des problèmes de fonctionnement ou tomber en panne. **Attention !** – Dans certains cas, la panne pourrait ne pas être immédiatement évidente.

Il est absolument interdit de transiter quand le portail est en mouvement !

- Dès que l'on remarque une anomalie quelconque dans le fonctionnement de l'automatisme, par sécurité il faut couper l'alimentation électrique de l'installation. Ne jamais tenter de réparer soi-même l'automatisme mais demander l'intervention de l'installateur de confiance. Dans l'intervalle, l'installation pourra fonctionner avec l'*Ouverture* et la *Fermeture* manuelles, en débrayant les opérateurs comme décrit dans ce guide.

- En cas de coupure de l'énergie électrique, au retour du courant la première manœuvre commandée sera effectuée par l'automatisme à vitesse réduite, indépendamment du type de vitesse programmé.

- Ne pas modifier l'installation ni les paramètres de programmation et de réglage de l'automatisme, même si l'on pense en être capables : la responsabilité en incombe à qui a installé l'automatisme.

- L'essai de fonctionnement final, les maintenances périodiques et les éventuelles réparations doivent être documentés par la personne qui s'en charge et les documents doivent être conservés par le propriétaire de l'installation.

- À la fin de la vie de l'automatisme, s'assurer que le démantèlement est effectué par du personnel qualifié et que les matériaux sont recyclés ou mis au rebut en respectant les normes locales en vigueur.

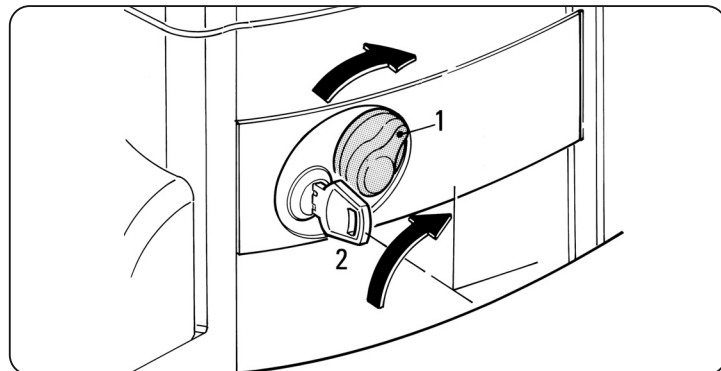
## BLOQUER OU DÉBRAYER MANUELLEMENT L'OPÉRATEUR

L'opérateur est muni d'un système mécanique qui permet d'ouvrir et de fermer manuellement le portail.

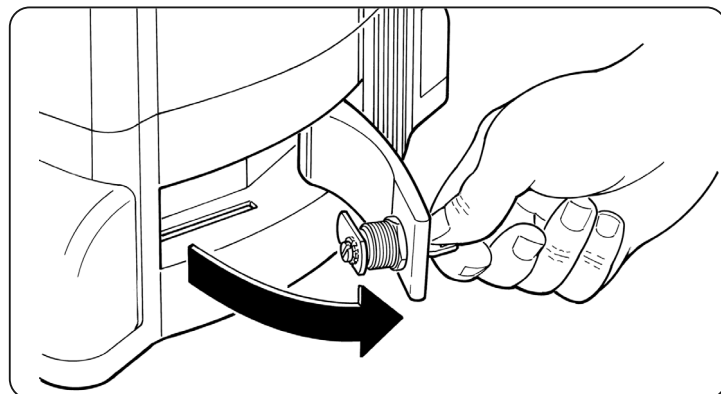
Ces opérations manuelles doivent être effectuées en cas de manque de courant électrique ou d'anomalies de fonctionnement. Dans ce dernier cas, l'utilisation du mécanisme de débrayage peut être utile également pour vérifier si la panne dépend du mécanisme proprement dit (par exemple il pourrait être mal serré).

Pour le débrayage manuel de l'opérateur, utiliser la clé de débrayage fournie en procédant de la façon suivante :

01. Tourner le cache de la serrure ;
02. Introduire la clé dans l'axe de débrayage,
03. Tourner la clé de 90° dans le sens horaire et tirer vers soi la poignée ;



04. Il est maintenant possible de déplacer manuellement le vantail dans la position désirée ;



05. Pour rétablir le bon fonctionnement de l'automatisme, refermer la poignée et tourner la clé dans le sens inverse des aiguilles d'une montre sur l'axe de débrayage puis déplacer manuellement le vantail jusqu'à ce qu'on entende le bruit mécanique indiquant l'enclenchement du vantail au mécanisme d'entraînement ;
06. Retirer la clé de l'axe de débrayage et la conserver.



## 1 ADVERTENCIAS Y PRECAUCIONES GENERALES DE SEGURIDAD

### ¡TRABAJAR EN CONDICIONES SEGURAS!

- **¡ATENCIÓN! – Instrucciones importantes: guarde estas instrucciones para cuando deba llevar a cabo los trabajos de mantenimiento o para cuando deba eliminar el dispositivo.**
- **¡ATENCIÓN! – Todas las operaciones de instalación, conexión, programación y mantenimiento del dispositivo deben ser llevadas a cabo exclusivamente por un técnico cualificado**

Considerando los peligros que pueden generarse durante la instalación y el uso, para la seguridad máxima es necesario que la instalación sea llevada a cabo respetando plenamente las leyes, normas y reglamentos. En este capítulo se indicarán las advertencias de carácter general; otras advertencias importantes están presentes en los capítulos “3 – Instalación” y “7 - Ensayo y puesta en servicio”.

Según la legislación europea más reciente, la automatización de una puerta o cancela entra en el ámbito de las disposiciones de la Directiva 98/37/CE (Directiva de Máquinas) y, en particular, en las normas: EN 13241-1 (norma armonizada); EN 12445; EN 12453 y EN 12635, que permiten declarar la conformidad con la directiva de máquinas.

Más informaciones, directrices para el análisis de los riesgos y para la realización del Expediente Técnico están disponibles en [www.niceforyou.com](http://www.niceforyou.com). Este manual, salvo el anexo “Manual de uso” que debe ser hecho por el instalador, está destinado exclusivamente para el personal técnico cualificado para la instalación; ninguna otra información contenida en este manual puede ser considerada interesante para el usuario.

- Un uso del producto diferente de aquel indicado en este manual está prohibido; un uso inadecuado puede ser peligroso y provocar daños a las personas o bienes.

- Antes de comenzar la instalación, es necesario realizar el análisis de los riesgos, que incluye la lista de los requisitos esenciales de seguridad previstos en el anexo I de la Directiva de Máquinas, indicando las relativas soluciones adoptadas.

Recuérdese que el análisis de los riesgos es uno de los documentos que forman el expediente técnico de la automatización.

- Compruebe si es necesario incorporar otros dispositivos que puedan servir para completar la automatización, según la situación de empleo específica y los peligros presentes: por ejemplo, deben considerarse los peligros de choque, aplastamiento, corte, arrastre, etc. y otros peligros en general.

- No modifique ninguna parte salvo si está previsto en estas instrucciones; los trabajos de este tipo pueden causar solamente desperfectos; NICE no es responsable de los daños que deriven de productos modificados.

- Durante la instalación y el uso, procure que no puedan entrar elementos sólidos ni líquidos dentro de la central o de otros dispositivos abiertos; de ser oportuno, contacte con el servicio de asistencia NICE; el uso en dichas situaciones puede originar situaciones peligrosas.

- El automatismo no puede utilizarse antes de haberlo puesto en servicio tal como especificado en el capítulo 5 “Ensayo y puesta en servicio”.

- El material de embalaje debe eliminarse respetando la normativa local.

- Si el desperfecto no pudiera resolverse utilizando las informaciones indicadas en este manual, contacte con el servicio de asistencia NICE.

- Si se desconectaran los interruptores automáticos o los fusibles, antes de restablecerlos hay que localizar y eliminar el desperfecto.

- Antes de acceder a los bornes en el interior de la tapa, desconecte todos los circuitos de alimentación; si el dispositivo de desconexión no queda a la vista, colóquelo un cartel que indique: “ATENCIÓN MANTENIMIENTO EJECUTÁNDOSE”.

Advertencias especiales sobre la idoneidad para el uso de este producto con relación a la Directiva de “Máquinas” 98/37/CE (ex 89/392/CEE):

- Este producto se comercializa como “componente de máquina” y es fabricado para ser incorporado en una máquina o para ser ensamblado con otras maquinarias, a fin de realizar “una máquina”, con arreglo a la Directiva 98/37 CE, sólo combinándolo con otros componentes y según las pautas descritas en este manual de instrucciones. Tal como previsto por la directiva 98/37/CE, se advierte que no está permitida la puesta en servicio de este producto hasta que el fabricante de la máquina, donde se incorporará este producto, no la haya identificado y declarado conforme con la directiva 98/37/CE.

Advertencias específicas sobre la idoneidad para el uso de este producto con relación a la Directiva “Baja Tensión” 2006/95/CEE:

- Este producto responde a los requisitos previstos por la Directiva “Baja Tensión” únicamente si se lo emplea para el uso y con las configuraciones previstas en este manual de instrucciones y junto con los artículos presentes en el catálogo de productos de Nice S.p.a. Los requisitos podrían no estar garantizados si el producto se utiliza con configuraciones diferentes o con otros productos no previstos; está prohibido utilizar el producto en estas condiciones, hasta que la persona que ejecuta la instalación haya verificado que responde a los requisitos previstos por la directiva.

Advertencias específicas sobre la idoneidad para el uso de este producto con relación a la Directiva “Compatibilidad Electromagnética” 2004/108/CEE:

- Este producto ha sido sometido a los ensayos relativos a la compatibilidad electromagnética en las situaciones de uso más duras, en las configuraciones previstas en este manual de instrucciones y en combinación con los artículos presentes en el catálogo de productos de Nice S.p.a. Si el producto se utilizara con configuraciones o con otros productos no previstos, la compatibilidad electromagnética podría perder su garantía; en dichas condiciones, está prohibido utilizar el producto hasta que la persona que realiza la instalación haya verificado que responde a los requisitos previstos por la directiva.

## 2 DESCRIPCIÓN DEL PRODUCTO Y USO PREVISTO

TH1500 è destinato all'automatizzazione di un cancello scorrevole per uso residenziale. **Qualsiasi altro uso diverso da quello descritto e in condizioni ambientali diverse da quelle riportate in questo manuale è da considerarsi improprio e vietato!**

Il motoriduttore è composto da un motore in corrente alternata a 230 V, un pignone e una Centrale di comando.

La Centrale alimenta tutti i dispositivi presenti nell'impianto, gestendone la loro operatività. È formata da una scheda e un ricevitore radio multicode incorporato, che riceve i comandi inviati da un trasmettitore. Sono disponibili varie funzioni che permettono di personalizzare l'uso dell'automazione.

L'automatismo permette l'installazione di vari accessori che ne aumentano la funzionalità e ne garantiscono la sicurezza.

Il prodotto funziona tramite alimentazione elettrica di rete e, in caso d'interruzione dell'energia elettrica (*black-out*), è possibile sbloccare manualmente il motoriduttore per poter muovere 'a mano' il cancello.

## 3 INSTALACIÓN

### 3.1 - Controles preliminares a la instalación

Antes de proceder con la instalación, controle que los componentes del producto estén íntegros, que el modelo corresponda con el pedido y que sea idóneo para el entorno en el cual debe ser instalado.

**IMPORTANTE – El motorreductor no puede automatizar una cancela manual que no tenga una estructura mecánica eficiente y segura. Tampoco puede resolver los defectos causados por una instalación incorrecta o por un mantenimiento defectuoso de la misma cancela.**

### 3.2 - Idoneidad del entorno y de la cancela a automatizar

- Controle que la estructura mecánica de la cancela sea adecuada para ser motorizada y que sea conforme con las normas locales vigentes (*de ser necesario, consulte los datos indicados en la etiqueta de la cancela*).

- Controle que el peso y las dimensiones de la hoja estén dentro de los límites de utilización indicados en el párrafo 3.3 “Límites de empleo”.

- Tomando como referencia los valores indicados en el capítulo “Características técnicas del producto”, controle que:

- la fuerza necesaria para mover la hoja de la cancela sea inferior a la mitad del valor de la fuerza correspondiente al “Par máximo”;

- la fuerza necesaria para mantener en movimiento la hoja de la cancela sea inferior a la mitad del valor de la fuerza correspondiente al “Par nominal”. *Nota – para configurar el valor de la fuerza, se aconseja utilizar un margen del 50% porque las condiciones climáticas podrían aumentar las fricciones.*

- *Abriendo y cerrando* manualmente la hoja de la cancela, controle que el movimiento tenga la misma fricción constante en toda su carrera (*no deben existir puntos con diferentes esfuerzos*).

- Controle que la hoja de la cancela quede equilibrada, es decir que al colocarla manualmente en cualquier posición y deteniéndola, no se mueva.
- Controle que no exista el riesgo de que la hoja de la cancela se salga de las guías.
- Controle que la zona de fijación del motorreductor no pueda inundarse; de ser oportuno, monte el motorreductor levantado del piso.
- Controle que alrededor del motorreductor haya espacio suficiente como para realizar la maniobra manual de desbloqueo.
- Controle que los puntos de aplastamiento entre la hoja de la cancela y las piezas fijas queden protegidos durante los movimientos de *Apertura* y de *Cierre*.
- Controle que las superficies de instalación de los dispositivos sean firmes y garanticen una fijación segura. Controle que las superficies de fijación de las fotocélulas estén en plano y permitan alinear perfectamente las fotocélulas entre sí.
- Controle que cada dispositivo que deba instalar quede colocado en una posición segura y protegida de golpes accidentales.
- Controle que el rango de temperatura de funcionamiento indicado en la placa del producto sea compatible con las características climáticas del lugar de instalación.
- Si la hoja de la cancela tuviera un portillón de paso, o dicha puerta estuviera colocada en la zona de movimiento de la hoja, habrá que controlar que ésta no impida la carrera normal de la hoja; de ser necesario, instale un sistema de interbloqueo compatible.
- Conecte la central a una línea de alimentación eléctrica dotada de puesta a tierra de seguridad.
- Instale en la línea de alimentación del automatismo un dispositivo de desconexión de la red eléctrica de alimentación, para garantizar una distancia de apertura de los contactos que permita la desconexión completa en las condiciones de la categoría de sobretensión III. Si el dispositivo de desconexión de la alimentación no está en proximidad de la automatización, habrá que incorporar un sistema de bloqueo contra la conexión no intencional o no autorizada.

### 3.3 - Límites de empleo del producto

Para establecer la idoneidad del producto sobre la peculiaridad de la cancela y el contexto específico a automatizar, lleve a cabo los siguientes controles, comprobando la conformidad con los datos mencionados en este párrafo y con los datos técnicos del capítulo “**Características técnicas del producto**”.

- Controle que el peso y las dimensiones de la hoja de la cancela se encuentren dentro de los siguientes límites:

**longitud máxima 14 m**

**peso máximo 1500 kg**

- Controle las medidas del motorreductor tomando como referencia la **fig. 1**. *Nota – Estas medidas también sirven como referencia para calcular el espacio que ocupará el pozo de cimentación para el paso de las canaletas de los cables eléctricos.*
- Controle que en la zona establecida para la fijación del motorreductor haya espacio suficiente para su montaje.
- Controle en la hoja de la cancela que en los puntos donde esté prevista la fijación de la cremallera haya una superficie adecuada y firme.

**¡Atención!** – Si el resultado de estos controles no satisface las prescripciones dadas, este modelo no podrá ser utilizado para automatizar su cancela.

### 3.4 - Trabajos preliminares de preparación

La **fig. 2** muestra un ejemplo de instalación de automatización realizada con los componentes **Nice**. Dichos componentes están colocados según un esquema típico y habitual.

Tomando como referencia la **fig. 2**, determine la posición aproximada donde se instalará cada componentes previsto en la instalación.

**Advertencia** – Los dispositivos de mando “fijos” deben colocarse a la vista de la cancela pero lejos de sus piezas móviles.

El motorreductor es configurado en fábrica para ser instalado a la derecha de la cancela. **¡ATENCIÓN!** – Si tuviera que instalar el motorreductor a la izquierda de la cancela, respete las instrucciones mencionadas en el capítulo 4 (párrafo 4.1 - punto 07).

**Componentes útiles para realizar una instalación completa (fig. 2):**

- 1 - motorreductor electromecánico
- 2 - par de fotocélulas
- 3 - selector de llave o botonera digital
- 4 - luz intermitente con antena incorporada
- 5 - soportes de fin de carrera
- 6 - cremallera
- 7 - columnas para fotocélulas

Antes de comenzar con la instalación del producto, asegúrese de tener a disposición todas las herramientas y el material necesario para llevar a cabo el trabajo. También es necesario controlar que dichos materiales estén en buenas condiciones y que sean conformes con cuanto previsto por las normativas locales de seguridad.

Realice las rozas para los tubos de los cables eléctricos o, como alternativa, aplique canaletas exteriores; posteriormente, fije en el hormigón dichos tubos y realice las demás operaciones útiles para predisponer el entorno a las operaciones de instalación siguientes.

**En particular, para hacer el pozo para fijar el motorreductor al suelo, proceda de la siguiente manera:**

01. Haga el pozo de cimentación en la posición donde se fijará el motorreductor. **Nota** – Las dimensiones del pozo deben ser iguales o superiores a las medidas de la placa de cimentación.
02. Coloque las canaletas para pasar los cables eléctricos.

**¡ATENCIÓN!** – Coloque los extremos de los tubos por donde pasarán los cables eléctricos en proximidad de los puntos en que se ha previsto la fijación de los diferentes dispositivos.

**Nota:** los tubos tienen la finalidad de proteger los cables eléctricos y evitar roturas accidentales, por ejemplo en caso de golpes.

Para preparar los cables eléctricos necesarios para la instalación, consulte la **fig. 10-10a** y la “**Tabla 1 - Características técnicas de los cables eléctricos**”.

**Tabla 1: Características técnicas de los cables eléctricos**

Conexión	Tipo de cable	Longitud máxima admitida
<b>A:</b> Cable ALIMENTACIÓN	cable 3 x 1,5 mm <sup>2</sup>	30 m (nota 1)
<b>B:</b> Cable LUZ INTERMITENTE con antena	cable 2 x 0,5 mm <sup>2</sup> cable blindado tipo RG58	30 m 20 m (aconsejado menos de 5 m)
<b>C:</b> Cable FOTOCÉLULAS	cable 2 x 0,5 mm <sup>2</sup> (TX) cable 4 x 0,25 mm <sup>2</sup> (RX)	30 m 30 m
<b>D:</b> Cable SELECTOR DE LLAVE o BOTONERA RADIGITAL	cable 4 x 0,25 mm <sup>2</sup>	30 m

**Nota general:** los cables necesarios para realizar el sistema (no incluidos en el paquete) pueden variar según la cantidad y el tipo de los componentes previstos en el sistema.

**Nota 1:** si fuera necesaria una longitud mayor, utilice un cable de diámetro 3 x 2,5 mm<sup>2</sup>; en este caso, se requiere una puesta a tierra de seguridad cerca del automatismo.

**¡ATENCIÓN!** - Los cables utilizados deben ser adecuados para el tipo de entorno donde se lleva a cabo la instalación; por ejemplo, para la instalación en interiores se aconseja utilizar cables tipo H03VV-F y para la instalación en exteriores se aconseja utilizar cables tipo H07RN-F.

### 3.5 - Instalación de los componentes del automatismo

#### ADVERTENCIAS

- Una instalación incorrecta puede provocar heridas graves a la persona que haga el trabajo y a las personas que utilizarán la instalación.
- Antes de comenzar a ensamblar la automatización, lleve a cabo los controles preliminares descritos en los párrafos “3.2 - Idoneidad del entorno y de la cancela a automatizar” y “3.3 - Límites de empleo del producto”.
- Prepare una o varias vainas para pasar los cables eléctricos.

#### Fijación de la placa de cimentación

01. Enrosque a mano hasta el fondo 1 tuerca M12 baja para cada una de las 4 grapas suministradas.
02. Introduzca las cuatro grapas en la placa de cimentación (**fig. 3**);
03. Prepare una o varias vainas para pasar los cables eléctricos;
04. Sumerja la placa en el hormigón, nivelándola perfectamente.

Es importante respetar la distancia de la placa de cimentación desde la cremallera (a tal fin es necesario saber antes si será soldada a la cancela o fijada con tornillos y distanciadores), para poder aprovechar los agujeros alargados de fijación del motorreductor (**fig. 4**).

#### Instalación del motorreductor

01. Quite la cubierta del motorreductor, desenroscando los tornillos de los costados con un destornillador (**fig. 5**). **Nota** – se aconseja dejar el motorreductor sin cubierta hasta concluir los trabajos de instalación y de programación.



02. Quite las dos aletas que cubren los tornillos, tirándolas hacia arriba (fig. 6).
03. Apoye el THOR1500 sobre la placa de fundación fijada previamente.
04. Enrosque las 4 tuercas bajas si desea regular la altura del motorreductor (10 mm. máx.), en caso contrario, no las use (fig. 7).
05. Introduzca las 4 arandelas.
06. Apriete firmemente las tuercas M 12 y las posibles contratueras bajas con una llave de 19 mm.
07. Introduzca las dos aletas para cubrir los tornillos (estéticas) presionando desde arriba hacia abajo.
08. Desbloquee el motorreductor con la llave correspondiente (tome como referencia el párrafo "Bloquear o Desbloquear manualmente el motorreductor" del "Manual de uso").
09. Coloque manualmente la hoja de la cancela en la posición de Apertura máxima y coloque el primer tramo de cremallera sobre el piñón del motorreductor. **Importante:**- la longitud total de la cremallera debe ser igual a la longitud de la hoja de la cancela; - la distancia entre el piñón y la cremallera debe ser de 1-2 mm para que el peso de la hoja no apoye sobre el motorreductor.
10. Entonces, fije la cremallera a la hoja (consulte el manual de instrucciones de la cremallera).
11. Deslice manualmente la hoja para fijar las demás piezas de la cremallera: utilice como punto de referencia el piñón y utilice un nivel para colocar los tramos de cremallera en posición horizontal y perfectamente alineados con el extremo apoyado sobre el piñón. **Nota** - Para fijar provisoriamente las piezas de la cremallera a la hoja, utilice morsas como se muestra en la fig. 8. **Advertencia** - Si la regulación admitida por la cremallera no fuera suficiente, es posible regular el motorreductor en altura utilizando los 2 tornillos Allen.
12. La cremallera no debe sobresalir de la hoja de la cancela; si así fuera, corte la parte que sobresale.
13. Abra y Cierre manualmente la hoja de la cancela para comprobar que la cremallera se desplace regularmente sobre el piñón en toda su longitud. También controle que la distancia entre el piñón y la cremallera sea de 1-2 mm.
14. Coloque, aproximadamente, los dos soportes de fin de carrera en la cremallera (fig. 9) y, moviendo con la mano la cancela, fíjelos definitivamente.
15. Fije los soportes de fin de carrera de la siguiente manera:
  - a) coloque manualmente la hoja en la posición de Apertura dejando por lo menos 2-3 cm de distancia desde el tope mecánico.
  - b) desplace el soporte de fin de carrera sobre la cremallera en el sentido de Apertura hasta que se active el fin de carrera. Posteriormente, haga avanzar el soporte 2 cm como mínimo y bloquéelo a la cremallera con los pasadores entregados.
  - c) realice la misma operación para fijar el fin de carrera de Cierre.
16. Por último, bloquee el motorreductor con la llave correspondiente (consulte el capítulo "Bloquear o Desbloquear manualmente el motorreductor").

- m - Regleta de alimentación
- n - Led señalización RX (Receptor)
- o - Fusible de baja tensión (315 mA F)
- p - Trimmer de regulación de la fuerza (F)
- q - Led "OK"
- r - Transformador
- s - Fusible de línea (5A F)

### ¡ATENCIÓN!

- Para evitar situaciones peligrosas, durante las operaciones de conexión la Central de mando no debe estar conectada a la alimentación.
- Una conexión incorrecta podría provocar averías o situaciones peligrosas; por consiguiente, respete escrupulosamente las conexiones indicadas.
- Existen normativas precisas sobre la seguridad de las instalaciones eléctricas y sobre las cancelas automáticas que habrá que respetar rigurosamente.

Para realizar las conexiones eléctricas, hay que quitar la tapa de la Central de mando, tal como se muestra en la fig.12, y proceder tomando como referencia la fig. 11 y el párrafo "Descripción de las conexiones eléctricas". Por último, fije el cable de alimentación con el prensaestopas correspondiente (fig. 13).

Para una seguridad eléctrica eficiente y para un funcionamiento correcto del automatismo es necesario realizar la conexión a tierra en el borne indicado en la fig. 11.

### Descripción de las conexiones eléctricas

A continuación se describen las posibles conexiones de la Central de mando para los dispositivos de mando y de seguridad:

Bornes	Función	Descripción
1 - 2 - 3	Alimentación	Línea de alimentación de red
4 - 5	Luz intermitente	Salida para la conexión de la luz intermitente a la tensión de red (Máx. 40 W)
8 - 9	24 Vac	Alimentación servicios 24 Vac +/- 25% (Máx. 150 mA)
9	Común	Común para todas las entradas
10	Alt	Entrada con función de "Alt" (Parada y breve inversión)
11	Foto	Entrada para dispositivos de seguridad
12	Paso a Paso	Entrada para movimiento cíclico (PP) ("Abrir" - "Stop" - "Cerrar" - "Stop")
1	Antena +	Entrada para la antena del receptor
2	Antena masa	Entrada para la antena del receptor

### Advertencias:

- Si no se utilizaran las entradas de los contactos NC (Normalmente Cerrado), habrá que "puentearlas" y, si son más de una, deberán ser conectadas en SERIE entre sí;
- Si no se utilizaran las entradas de los contactos NA (Normalmente Abierto), habrá que dejarlas libres y, si son más de una, deberán ser conectadas en PARALELO entre sí.
- Los contactos debe ser mecánicos y sin potencia; no se admiten conexiones en etapas como aquellas denominadas "PNP", "NPN", "Open Collector", etc.

### 4.1 - Primer encendido y control de las conexiones

**¡ATENCIÓN!** - Las siguientes operaciones deben llevarse a cabo en los circuitos eléctricos bajo tensión y las maniobras podrían ser peligrosas. Por consiguiente, trabaje con mucho cuidado.

01. Alimente la Central de mando y controle que entre los bornes 8-9 haya 24 Vac.
02. Controle que el Led "OK", después de haber emitido algún destello rápido, emita destellos con frecuencia regular.
03. Entonces, controle que los Leds relativos a las entradas con contactos NC estén encendidos (todos los dispositivos de seguridad activos) y que los Leds relativos a las entradas NA estén apagados (ningún mando activo).  
Si así no fuera, controle las conexiones y el funcionamiento de todos los dispositivos. La entrada "Alt" interviene desactivando el fin de carrera de apertura (FCA) y el fin de carrera de cierre (FCC).
04. Controle la conexión de los fines de carrera: mueva la palanca del fin de carrera y controle que el fin de carrera intervenga apagando el Led correspondiente en la Central.
05. Desbloquee el motorreductor y coloque la hoja de la cancela a la mitad de su carrera; posteriormente, bloquee el motorreductor. De esta manera la hoja de la cancela quedará libre para la Apertura y el Cierre.
06. Controle si la hoja se mueve hacia la dirección correcta según lo señale

## 4 CONEXIONES ELÉCTRICAS

Entonces, después de haber instalado el motorreductor y los dispositivos de mando (selector de llave o botonera) y de seguridad (parada de emergencia, fotocélulas, bandas sensibles, luz intermitente), realice las conexiones eléctricas consultando los párrafos siguientes y el ejemplo de la fig. 10-10a.

La Central de mando incorpora una serie de funciones que se seleccionan con los Dip-Switch (mini-selectores) y regulaciones que se hacen con los Trimmer (fig. 11).

Los Leds de las entradas (fig. 11) señalan el funcionamiento de los componentes del automatismo; por el contrario, el Led "OK" (fig. 11) señala el funcionamiento correcto de la Central. La Central también incorpora un receptor multicódigo.

### Componentes de la Central (fig. 11):

- a - Regleta para la antena
- b - Dip-Switch de selección de las funciones
- c - Botón Radio
- d - Trimmer de regulación del Tiempo de Funcionamiento (TL)
- e - Trimmer de regulación del Tiempo de Pausa (TP)
- f - Regleta de las Entradas / Salidas de mando
- g - Conector de entrada de los fines de carrera
- h - Regleta de salida Luz intermitente / Luz de Cortesía
- i - Conector del Condensador
- l - Conector de salida de la alimentación del motor



lado por la Central. **Importante – Este control es obligatorio. Si la dirección de la hoja no fuera correcta respecto de la señalización de la Central, el automatismo podría, aparentemente, funcionar en modo regular (el ciclo “Abrir” es similar al ciclo “Cerrar”), pero en realidad los dispositivos de seguridad podrían ser ignorados durante la ejecución del movimiento de Cierre. En este caso, los dispositivos de seguridad se activarán sólo durante el movimiento de Apertura, provocando un cierre contra el obstáculo con resultados desastrosos!**

**07.** Controle que el sentido de rotación del motor sea correcto: envíe un breve impulso a la entrada PP, la Central debería realizar la Apertura como primer movimiento; posteriormente, es suficiente controlar que también el motor funcione en el sentido de Apertura.

Si así no fuera, proceda de la siguiente manera:

- corte la alimentación de la Central de mando;
- gire 180° el conector de alimentación del motor (l - fig. 11) y aquel de los fines de carrera (g - fig. 11);
- entonces, active la alimentación de la Central y repita el control del punto 07.

El Led “OK” presente en la Central (fig. 11) sirve para señalar el estado de funcionamiento de esta última:

- 1 destello con frecuencia regular de 1 segundo = indica que el microprocesador interior está activo y está listo para recibir los mandos.
- 2 destellos rápidos = indica que el microprocesador detecta una variación del estado de funcionamiento de una entrada (sea de una entrada de mando o del Dip-Switch de las funciones); esto sucede incluso si la variación detectada no provoca efectos inmediatos.
- 1 destello muy rápido de 3 segundos de duración = indica que la Central ha sido alimentada y que está ejecutando un test para comprobar el estado de funcionamiento.
- 1 destello con frecuencia irregular = indica que el test de control no obtuvo resultados positivos y que, por consiguiente, hay un desperfecto.

## 5 REGULACIONES DE LOS PARÁMETROS

Los parámetros de funcionamiento de la Central de mando se pueden regular utilizando los “Trimmer” (fig. 11) presentes en esta última.

• **Tiempo Funcionamiento (TL):** en la modalidad de funcionamiento “Semiautomático” este parámetro regula la duración máxima del movimiento de *Apertura* o de *Cierre*. Para regular este parámetro, proceda de la siguiente manera: **a)** seleccione la modalidad de funcionamiento “Semiautomático” y coloque el *Dip-Switch 1* en “ON”; **b)** coloque el “Trimmer TL” en la mitad; **c)** ejecute un ciclo completo de *Apertura* y de *Cierre* y controle que la duración máxima configurada del movimiento de *Apertura* o de *Cierre* sea suficiente y que quede un margen de 2 ó 3 segundos; de ser necesario, regule nuevamente el “Trimmer TL” con el valor máximo. Si este parámetro de duración no fuera suficiente, habrá que cortar el puente de conexión TLM colocado cerca del Trimmer TL (fig. 11), a fin de obtener un “Tiempo Funcionamiento Aumentado” (TLM).

Si se desea utilizar la función de desaceleración, habrá que regular el Trimmer de manera que la etapa de desaceleración comience 50-70 cm antes de la activación de los fines de carrera.

La modificación de este parámetro se podrá observar durante la ejecución del primer movimiento de *Apertura* accionado después de haber hecho la modificación.

• **Tiempo Pausa (TP):** en la modalidad de funcionamiento “Automático” este parámetro regula el tiempo que transcurre entre el final del movimiento de *Apertura* y el comienzo del movimiento de *Cierre*. Para regular este parámetro, proceda de la siguiente manera: **a)** seleccione la modalidad de funcionamiento “Automático” colocando el *Dip-Switch 2* en “ON”; **b)** regule el “Trimmer TP” a placer; **c)** para comprobar si el tiempo configurado es correcto, realice un movimiento de *Apertura* completo y controle el tiempo que transcurre antes del comienzo del movimiento de *Cierre*.

• **Fuerza (F): Atención –** La regulación de este parámetro puede afectar el grado de seguridad del automatismo; por consiguiente, tenga mucho cuidado durante esta operación.

Este parámetro debe ser regulado por tentativas: es necesario medir la fuerza aplicada por la hoja de la cancela durante un movimiento y compararla con los valores previstos por las normativas locales vigentes.

### Modalidades de funcionamiento

**Paso a Paso (PP):** esta modalidad, **utilizada en modo manual (hombre presente)**, activa alternativamente el movimiento de *Apertura* y de *Cierre* y, cuando el mando termina el movimiento, se detiene.

Los movimientos de *Apertura* y de *Cierre* se detienen incluso cuando se activan los fines de carrera; durante el *Cierre*, el movimiento también se

detiene al faltar la autorización de los dispositivos de seguridad “Foto”. Por el contrario, si se accionara “ALT”, los movimientos de *Apertura* y de *Cierre* se detendrán inmediatamente y se activará una breve inversión. Cuando el movimiento se detiene es necesario concluir el envío del mando antes de enviar otro.

Por el contrario, utilizando la modalidad “Paso a Paso” en uno de los **modos automáticos (“Semiautomático”, “Automático” o “Cerrar Siempre”)** el envío de un mando activará alternativamente el movimiento de *Apertura* y de *Cierre*; un segundo envío de mando activará el “Stop”. Por el contrario, si se accionara “ALT”, los movimientos de *Apertura* y de *Cierre* se detendrán inmediatamente y se activará una breve inversión. Si se utiliza el modo de funcionamiento automático, después de un movimiento de *Apertura* se producirá una pausa y después se ejecutará un movimiento de *Cierre*.

Si durante la pausa se activaran los dispositivos de seguridad “Foto”, el temporizador se restablecerá con un nuevo Tiempo Pausa; por el contrario, si durante la pausa se activará “Alt”, la función de cierre automático se anulará y se activará un “Stop”.

Durante el movimiento de *Apertura* la activación de “Foto” no provoca ningún efecto; mientras que durante el *Cierre*, provoca una inversión del movimiento, después una pausa y después el *Cierre*.

### Funciones programables

La Central de mando incorpora una serie de microinterruptores que permiten activar varias funciones que hacen que el automatismo sea más adecuado a las exigencias del usuario y más seguro ante las diferentes condiciones de utilización.

Para activar o desactivar las funciones se utiliza el Dip-switch 1 ó 2: se **activan** configurándolo en “ON” y se **desactivan** configurándolo en “OFF”.

Algunas de las funciones disponibles están asociadas a la seguridad; por consiguiente, es importante evaluar detenidamente cuál es la función más segura.

Los Dip-Switch permiten seleccionar los modos de funcionamiento y programar las funciones deseadas descritas en la **Tabla A**:

**Tabla A**

<b>Switch 1-2:</b>	<b>Off-Off</b>	Movimiento “Manual” <i>es decir hombre presente</i>
	<b>On-Off</b>	Movimiento “Semiautomático”
	<b>Off-On</b>	Movimiento “Automático” <i>es decir cierre automático</i>
	<b>On-On</b>	Movimiento “Automático” + “Cerrar Siempre”
<b>Switch 3:</b>	<b>On</b>	Funcionamiento Comunitario ( <i>no disponible en modo manual</i> )
<b>Switch 4:</b>	<b>On</b>	Destello previo
<b>Switch 5:</b>	<b>On</b>	Cierra 5 segundos después de “Foto” si está configurado en “Automático” o “Cierra después de Foto” si está configurado en “Semiautomático”
<b>Switch 6:</b>	<b>On</b>	Seguridad “Foto” también durante la <i>Apertura</i>
<b>Switch 7:</b>	<b>On</b>	Arranque gradual
<b>Switch 8:</b>	<b>On</b>	Desaceleración
<b>Switch 9:</b>	<b>On</b>	Freno
<b>Switch 10:</b>	<b>On</b>	No utilizado

### Switch 1-2

Durante el modo de funcionamiento “Manual” el movimiento se ejecuta sólo mientras el mando esté activo (botón del transmisor pulsado en modo hombre presente).

Durante el modo de funcionamiento “Semiautomático” un envío de un mando ejecutará el movimiento completo hasta que termine el “Tiempo Funcionamiento” o hasta llegar al fin de carrera.

Durante el modo de funcionamiento “Automático”, después de un movimiento de *Apertura* se producirá una pausa y después se ejecutará automáticamente un movimiento de *Cierre*.

La función “Cerrar siempre” se activa después de un corte de energía eléctrica; si al volver la corriente la Central detectara la hoja de la cancela en la posición Abierta, activará automáticamente un movimiento de *Cierre* antecedido de 5 segundos de destello previo.

### Switch 3

Durante el modo de funcionamiento “Comunitario”, cuando se envía un mando “Paso a Paso” y comienza un movimiento de *Apertura*, éste no podrá ser interrumpido por ningún otro mando “Paso a Paso” ni “Abrir” vía radio hasta que no concluya el movimiento.

Por el contrario, durante el movimiento de *Cierre*, el envío de un nuevo mando “Paso a Paso” provocará la parada y la inversión del movimiento.

### Switch 4

Al enviar un mando, primero se activará la luz intermitente y, después de 5 segundos (2 segundos si está configurado en modo de funcionamiento “Manual”), comenzará el movimiento.

**Switch 5**

Si esta función está configurada en modo de funcionamiento "Automático" permite mantener la hoja de la cancela abierta sólo durante el tiempo necesario para que pase el vehículo o las personas; en efecto, al concluir la activación de los dispositivos de seguridad "Foto", el movimiento se detendrá y, después de 5 segundos, comenzará automáticamente un movimiento de Cierre.

Por el contrario, si la función está configurada en modo "Semiautomático", al activarse los dispositivos de seguridad "Foto", durante el movimiento de Cierre se activará el Cierre automático que durará el tiempo configurado en "Tiempo Pausa".

**Switch 6**

Generalmente, la función de seguridad "Foto" se activa sólo para el movimiento de Cierre; si se configurara el Dip-Switch 6 en "ON", la activación del dispositivo de seguridad también interrumpirá el movimiento de Apertura. Por el contrario, si estuviera configurado el modo de funcionamiento "Semiautomático" o "Automático", el movimiento de Apertura se reanudará inmediatamente después de la desactivación de los dispositivos de seguridad.

**Switch 7**

Configurando esta función, el movimiento comenzará gradualmente; de esta manera se evitan sacudidas indeseadas del automatismo.

**Switch 8**

La desaceleración es una disminución del 30% de la velocidad nominal; esto reduce la fuerza de impacto de la hoja de la cancela al final de un movimiento.

Al activar esta función, es necesario regular el "Tiempo Funcionamiento (TL)" porque el comienzo de la desaceleración depende del tiempo de funcionamiento configurado. Por consiguiente, hay que regular el TL de manera que la desaceleración comience a unos 50-70 cm antes de la activación de los fines de carrera.

La función de desaceleración, además de disminuir la velocidad de la automatización, también disminuye el 70% el par del motor. **ATENCIÓN** – En los automatismos que necesitan un valor alto del par del motor esta función de desaceleración podría provocar la parada inmediata del motor.

**Switch 9**

Configurando esta función, al concluir un movimiento se activará el freno del motor; al inicio, se activará de manera moderada y, posteriormente, más intensa para detener rápidamente la hoja de la cancela sin provocar sacudidas.

**Switch 10**

No utilizado.

**• Instalación de una antena exterior**

Si la antena suministrada no estuviera en una posición favorable y la señal de radio fuera débil, para mejorar la recepción se aconseja sustituirla instalando una antena exterior (mods. ABF o ABFKIT). La nueva antena debe instalarse lo más alto posible y por encima de cualquier estructura metálica o de cemento armado presente en la zona.

**• Conexión a la Central**

Para conectar el receptor a la Central, utilice un cable coaxial con impedancia de 50 ohm (por ejemplo el cable RG58 de baja pérdida). **¡Atención!** – Para reducir la dispersión de la señal, utilice un cable corto (no debe superar 10 m).

**Advertencias para la programación**

• Las operaciones de programación indicadas en este capítulo requieren el uso del botón "c" y del Led "n" (fig. 11) presente en el receptor. El Led indica el estado de las operaciones que se están ejecutando, emitiendo un determinado número de destellos y con una duración específica. En la "Tabla C" se describen los significados de los destellos.

• Se aconseja leer primero los procedimientos y después llevar a cabo las operaciones, realizando los pasos de cada uno de los procedimientos de manera consecutiva.

**¡ATENCIÓN!** – Antes de memorizar un transmisor, lea detenidamente el siguiente texto.

El receptor puede memorizar sólo los transmisores que pertenecen a una de las siguientes 3 familias de codificación:

– familia con las codificaciones "O-Code", "FloR" y "TTS";

– familia con la codificación "Flo";

– familia con la codificación "Smilo".

**Nota** – En el receptor, cada codificación permite aprovechar sólo las funciones típicas de la misma codificación.

**¡Atención!** – La familia de codificación, a la que pertenece el primer transmisor memorizado en el receptor, define la familia a la que deberán pertenecer también los transmisores que deban ser memorizados.

Para modificar la familia de codificación presente en el receptor, es necesario llevar a cabo el procedimiento "Borrado total de la memoria del receptor".

Para saber si el receptor ya tiene memorizados algunos transmisores y para saber la familia de codificación a la que estos pertenecen, proceda de la siguiente manera:

**01.** Corte la alimentación eléctrica del receptor.

**02.** Active de nuevo la alimentación eléctrica del receptor y cuente el número de destellos de color verde que emite el Led en el receptor.

**03.** Por último, compare el número de destellos emitidos con la siguiente tabla:

- 1 destello = codificación Flo
- 2 destellos = codificaciones O-Code / FloR / TTS
- 3 destellos = codificación Smilo
- 5 destellos = ningún transmisor memorizado

**¡Atención!** – Antes de comenzar a memorizar un transmisor, lea detenidamente todas las modalidades de memorización descritas a continuación para evaluar cuál es la más adecuada.

**6.1 - Modalidades de memorización de un transmisor: "Modo I" y "Modo II"**

Por lo general, la combinación entre estos mandos y los botones de un transmisor puede hacerse en dos modalidades diferentes:

• **Modo I:** esta modalidad permite memorizar en el receptor, en una sola vez, todos los botones del transmisor o un solo grupo de estos (sólo en los transmisores que tienen varios códigos de identidad, como por ejemplo el modelo ON9). Con esta modalidad los botones del transmisor se asocian automáticamente a los mandos predeterminados en la Central de mando.

• **Modo II:** esta modalidad permite memorizar en el receptor un solo botón del transmisor. Es posible elegir el mando a programar entre aquellos disponibles en la Central de mando (4 como máximo).

**Procedimiento de memorización en "Modo I"**

**Advertencia** – Este procedimiento memoriza simultáneamente todos los botones del transmisor o un solo grupo de estos.

**01.** Pulse y mantenga pulsado el botón en el receptor hasta que se encienda el Led verde en el receptor. Posteriormente, suelte el botón.

**02.** Antes de 10 segundos, en el transmisor que debe memorizar, pulse y

mantenga pulsado cualquier botón hasta que el Led del receptor emita el primero de los 3 destellos de color verde que señalan la ejecución de la memorización.

**Nota** – Después de los 3 destellos hay otros 10 segundos a disposición para memorizar otros transmisores.

### Procedimiento de memorización en “Modo II”

**Advertencia** – Este procedimiento memoriza un solo botón del transmisor. Por consiguiente, es necesario repetir el procedimiento de programación por cada botón del transmisor que se desee memorizar.

**01.** Consulte la “Tabla de los mandos” para seleccionar los mandos disponibles; seleccione el mando que se desea asignar al botón del transmisor a memorizar y, por último, anote el número que corresponde al mando.

**02.** En el receptor, pulse el botón la cantidad de veces equivalente al número del mando anotado antes; el Led del receptor destellará la misma cantidad de veces.

**03.** (en el transmisor, antes de 10 segundos) Mantenga pulsado el botón escogido para la memorización, hasta que el Led del receptor emita el primero de los 3 destellos (memorización ejecutada).

**Nota** – Después de los tres destellos hay otros 10 segundos a disposición para memorizar el mismo mando en otros botones del mismo transmisor o de un nuevo transmisor.

### Tabla de los mandos

salida 1 = PASO A PASO

salida 2 = ALT

salida 3 = ABRIR

salida 4 = CERRAR

## 6.2 - Memorización de un nuevo transmisor utilizando el procedimiento “cercano al receptor” [es necesario tener un transmisor ya memorizado]

Es posible memorizar un transmisor NUEVO en la memoria del receptor sin tener que pulsar directamente el botón de este receptor, sino actuando simplemente en su radio de recepción. Para llevar a cabo el procedimiento, es necesario tener a disposición un transmisor VIEJO ya memorizado (en “Modo I” o en “Modo II”) y que funcione. El procedimiento permitirá que el transmisor NUEVO reciba las mismas configuraciones del transmisor VIEJO.

### Advertencias:

- El procedimiento debe hacerse trabajando en el radio de recepción del receptor (10-20 m del receptor).
- Repita todo el procedimiento para cada transmisor que se desee memorizar.

Es posible utilizar uno de los siguientes procedimientos según sus preferencias:

### Procedimiento estándar

- 01.** En el transmisor NUEVO, mantenga pulsado durante 5 segundos como mínimo el botón ... (**nota 1**) y, posteriormente, suéltelo.
- 02.** En el transmisor VIEJO, pulse 3 veces el botón ... (**nota 2**) y, posteriormente, suéltelo.
- 03.** En el transmisor NUEVO, pulse 1 vez el mismo botón que había pulsado en el punto 01 y, posteriormente, suéltelo.

### Procedimiento alternativo

- 01.** En el transmisor NUEVO, mantenga pulsado durante 3 segundos como mínimo el botón ... (**nota 1**) y, posteriormente, suéltelo.
- 02.** En el transmisor VIEJO, mantenga pulsado durante 3 segundos como mínimo el botón ... (**nota 2**) y, posteriormente, suéltelo.
- 03.** En el transmisor NUEVO, mantenga pulsado durante 3 segundos como mínimo el mismo botón del punto 01 y, posteriormente, suéltelo.
- 04.** En el transmisor VIEJO, mantenga pulsado durante 3 segundos como mínimo el mismo botón pulsado en el punto 02, hasta que el Led verde L1 del receptor emita 3 destellos, los cuales indican que la memorización se ha ejecutado.

**Nota 1** – Pulse cualquier botón si el transmisor VIEJO está memorizado en “Modo I, o bien pulse el botón que se desea memorizar si el transmisor VIEJO está memorizado en “Modo II”.

**Nota 2** – Pulse cualquier botón si este transmisor está memorizado en “Modo I, o bien pulse el botón con el mando que se desea pasar si este transmisor está memorizado en “Modo II”.

## 6.3 - Borrado total de la memoria del receptor

Para borrar de la memoria del receptor todos los transmisores memorizados o, como alternativa, todos los datos presentes, proceda de la siguiente manera:

- 01.** Pulse y mantenga pulsado por mucho tiempo el botón del receptor

hasta que se encienda el Led verde y observe las variaciones de este último:

- después de unos 4 segundos, se encenderá el Led verde;
- posteriormente, después de unos 4 segundos, se apagará el Led verde;
- por último, después de unos 4 segundos, el Led verde comenzará a destellar.

- 02.** Entonces, para borrar todos los transmisores suelte el botón exactamente durante el 3º destello del Led verde; o bien, para borrar toda la memoria del receptor (incluidas las configuraciones y la familia de codificación de los transmisores), suelte el botón exactamente durante el 5º destello del Led verde.

## 7 ENSAYO Y PUESTA EN SERVICIO

**¡ATENCIÓN!** – Las operaciones descritas en este capítulo deben ser llevadas a cabo exclusivamente por personal cualificado y experto, respetando las instrucciones del manual, las leyes y las normativas de seguridad locales vigentes.

Esta es la etapa más importante para realizar la automatización a fin de garantizar la seguridad máxima de la instalación. El procedimiento de ensayo descrito también puede llevarse a cabo para comprobar periódicamente los dispositivos que componen la automatización.

El ensayo y la puesta en servicio de la automatización deben ser realizados por personal cualificado y experto que deberá establecer los ensayos necesarios para verificar las soluciones adoptadas para los riesgos presentes, y deberá controlar que se respeten las leyes, normativas y reglamentos, especialmente todos los requisitos de la norma EN 12445 que establece los métodos de ensayo de las automatizaciones para cancelas.

### 7.1 - Ensayo de la automatización

Cada componente de la automatización, por ejemplo bandas sensibles, fotocélulas, botones de parada de emergencia, etc., exige un fase de ensayo específica; para estos dispositivos se deberán llevar a cabo los procedimientos indicados en los manuales de instrucciones respectivos. Para el ensayo, proceda de la siguiente manera:

- 1** Controle que se hayan respetado rigurosamente las indicaciones dadas en el capítulo “ADVERTENCIAS Y PRECAUCIONES GENERALES DE SEGURIDAD”;
- 2** Desbloquee el motorreductor con la llave correspondiente (consulte el párrafo “Bloquear o Desbloquear manualmente el motorreductor” del “Manual de uso”);
- 3** Compruebe que sea posible abrir y cerrar manualmente la hoja de la cancela;
- 4** Bloquee el motorreductor con la llave correspondiente (consulte el capítulo “Bloquear o Desbloquear manualmente el motorreductor”);
- 5** Utilizando los dispositivos de mando o de parada instalados en la automatización (selector de llave, botones de mando, transmisores, etc.), haga algunas pruebas de cierre y de apertura de la cancela, comprobando que el movimiento de la hoja corresponda con aquello previsto. Conviene llevar a cabo varios ensayos para controlar el deslizamiento de la cancela y comprobar los posibles defectos de montaje, o de regulación, así como la presencia de puntos de fricción;
- 6** Controle uno por uno el funcionamiento correcto de todos los dispositivos de seguridad montados en la instalación (fotocélulas, bandas sensibles, etc.) y compruebe que el automatismo realice lo previsto. Cada vez que un dispositivo de seguridad se acciona, el led “OK” en la central destellará 2 veces para confirmar que la Central reconoce el evento;
- 7** Mida la fuerza de impacto según lo previsto por la norma EN 12445. Si el control de la “fuerza del motor” es utilizado por la Central como ayuda del sistema para reducir la fuerza de impacto, pruebe a regular las funciones que ofrecen mejores parámetros;
- 8** Aplique de manera permanente y en una zona de la automatización una placa que describa el modo de desbloquear manualmente el motorreductor.

### 7.2 - Puesta en servicio de la automatización

La puesta en servicio puede llevarse a cabo sólo después de haber realizado correctamente todas las etapas de ensayo. No está admitida la puesta en servicio parcial o en situaciones “precarias”.

- 1** Prepare y conserve durante 10 años como mínimo el expediente técnico de la automatización, que deberá estar formado de los siguientes documentos: un dibujo de conjunto de la automatización, el esquema de

las conexiones eléctricas, realizadas, el análisis de los riesgos y las soluciones adoptadas, la declaración de conformidad del fabricante de todos los dispositivos utilizados, la declaración de conformidad cumplimentada por el instalador, copia del manual de instrucciones de uso y del plan de mantenimiento de la automatización;

- 2 Aplique en la cancela una placa que contenga como mínimo los siguientes datos: tipo de automatismo, nombre y dirección del fabricante (responsable de la "puesta en servicio"), número de matrícula, año de fabricación y marcado "CE";
- 3 Cumplimente y entregue al dueño del automatismo la declaración de conformidad; a tal fin, deberá cumplimentar el formulario "**Declaración de conformidad CE**";
- 4 Cumplimente y entregue al dueño del automatismo el documento "**Manual de uso**";
- 5 Cumplimente y entregue al dueño del automatismo el documento "**Plan de mantenimiento**" con las prescripciones sobre el mantenimiento de todos los dispositivos del automatismo;
- 6 Antes de poner en servicio el automatismo, informe adecuadamente al dueño sobre los peligros y riesgos presentes.

## ELIMINACIÓN DEL PRODUCTO

**Este producto forma parte integrante del automatismo y, por consiguiente, deberá ser eliminado junto con éste.**

Al igual que para las operaciones de instalación, también al final de la vida útil de este producto las operaciones de desguace deberán ser llevadas a cabo por personal experto.

Este producto está formado de varios tipos de materiales: algunos podrán ser reciclados y otros deberán ser eliminados. Infórmese sobre los sistemas de reciclaje o de eliminación previstos por las normativas vigentes locales para esta categoría de producto.

**¡Atención!** – algunas piezas del producto pueden contener sustancias contaminantes o peligrosas que, si se las abandonara en el medio ambiente, podrían provocar efectos perjudiciales para el mismo medio ambiente y para la salud humana.

Tal como indicado por el símbolo de aquí al lado, está prohibido arrojar este producto en los residuos urbanos. Realice la "recogida selectiva" para la eliminación, según los métodos previstos por las normativas vigentes locales, o bien entregue el producto al vendedor cuando compre un nuevo producto equivalente.



**¡Atención!** – las normas locales vigentes pueden prever sanciones importantes en el caso de eliminación abusiva de este producto.

## TRABAJOS DE MANTENIMIENTO PERIÓDICO

Por lo general, este producto no requiere trabajos de mantenimiento específicos; sin embargo, un control regular permite mantener la instalación en buenas condiciones y asegura el funcionamiento regular de los sistemas de seguridad instalados.

El automatismo necesita un mantenimiento periódico para que pueda funcionar durante la mayor cantidad de tiempo posible y con total seguridad. Es necesario planificar el mantenimiento del automatismo con frecuencia periódica. Es necesario realizar un mantenimiento programado cada 6 meses como máximo.

Para realizar los trabajos de mantenimiento, proceda de la siguiente manera.

**¡ATENCIÓN!** – Antes de llevar a cabo cualquier tipo de control, desconecte todas las fuentes de alimentación eléctrica.

- Compruebe las condiciones de todos los componentes del automatismo, controlando especialmente los fenómenos de corrosión y oxidación de las piezas de la estructura; sustituya las piezas que no sean lo suficientemente seguras.
- Controle el desgaste de las piezas móviles: piñón, cremallera y todas las piezas que componen la hoja de la cancela; sustituya las piezas desgastadas.
- Al final de los controles de mantenimiento, conecte nuevamente la alimentación eléctrica y realice todas las pruebas y controles previstos en el capítulo 4.

## CARACTERÍSTICAS TÉCNICAS DEL PRODUCTO

**ADVERTENCIAS:** • Todas las características técnicas indicadas se refieren a una temperatura ambiental de 20°C (± 5°C). • Nice s.p.a. se reserva el derecho de aportar modificaciones al producto en cualquier momento que considere necesario, manteniendo las mismas funciones y destino de uso.

■ Alimentación de red	230 Vac 50 Hz
■ Motor	asincrónico monofásico
■ Tipo de fin de carrera	electromecánico
■ Potencia absorbida máx.	350 W (peak 500 W)
■ Absorción de línea	1.6 A
■ Condensador incorporado	14 µF
■ Clase de protección	IP 44
■ Par máximo (correspondiente a fuerza)	35 Nm (1100 N)
■ Par nominal (correspondiente a fuerza)	12 Nm (360 N)
■ Velocidad nominal	0.16 m/s
■ Protección térmica	140 °C
■ Peso máximo hoja	1500 kg
■ Longitud máxima de la hoja	12 m
■ N° máximo de ciclos/hora	15 (hoja de 6 metros)
■ N° máximo de ciclos consecutivos	5
■ Dimensiones	335 x 203 x h 275
■ Peso	11.5 kg
■ Corriente máx. servicios 24 V	150 mA (la tensión puede variar del ± 25%)
■ Salida luz intermitente	Para luces intermitentes con tensión de red, potencia máxima 40 W
■ Temperatura de funcionamiento	de -20 °C a +50 °C
■ Tiempo de Funcionamiento	Regulable de 2,5 a > 40 seg, o bien de < 40 a > 80 seg con TLM
■ Tiempo Pausa	Regulable de 5 a > 80 seg.
■ Decodificación	"O-Code" / "FloR" / "TTS"; o bien Flo"; o bien "Smilo"
■ Frecuencia de recepción	433.92 MHz
■ Sensibilidad	superior a 0,5 µV
■ Impedancia de entrada	52 ohm

## MANUAL DE USO

(a entregar al usuario del automatismo)

**IMPORTANTE** – Este manual de instrucciones contiene informaciones importantes sobre la seguridad; es necesario leer todas las instrucciones antes de utilizar el producto. Conserve este manual en buenas condiciones para su consultación posterior.

### ADVERTENCIAS Y PRECAUCIONES PARA EL USO

**¡Está terminantemente prohibido tocar las partes de la automatización mientras la cancela se esté moviendo!**

- Antes de utilizar por primera vez el automatismo, dedique algunos minutos para leer este manual de uso que el instalador de la automatización le ha entregado. Pida a su instalador que le explique el origen de los riesgos residuales.

- Conserve este manual por cualquier duda que pueda surgir y entréguelo al nuevo dueño del automatismo en caso de reventa.

- El automatismo es una maquinaria que ejecuta fielmente los mandos dados: un uso inconsciente o inadecuado puede ser peligroso. No accione el automatismo cuando haya personas, animales o bienes en su radio de acción.

- **Niños:** esta instalación de automatización garantiza un alto grado de seguridad, impidiendo, con sus sistemas de detección, el movimiento ante la presencia de personas o bienes. Además, garantiza una activación siempre previsible y segura. Sin embargo, es prudente prohibir a los niños jugar cerca del automatismo. Para evitar activaciones involuntarias del automatismo, no deje los transmisores al alcance de sus manos (¡el transmisor no es un juguete!).

- Controle con frecuencia el automatismo a fin de detectar posibles marcas de desgaste, daños o desequilibrios. Deje de utilizar inmediatamente el automatismo si fuera necesario llevar a cabo un mantenimiento.

- Controle periódicamente que las fotocélulas funcionen correctamente y, cada 6 meses, haga hacer los controles de mantenimiento previstos.

- Las fotocélulas no son un dispositivo de seguridad sino que son solamente un dispositivo auxiliar de seguridad. Estas incorporan una tecnología de altísima fiabilidad pero, en situaciones extremas, pueden tener problemas de funcionamiento o averiarse. **¡Atención!** – En ciertos casos, no siempre la avería podría detectarse inmediatamente.

**¡Está terminantemente prohibido transitar mientras la cancela se esté moviendo!**

- Ni bien note que el automatismo no funciona correctamente, por seguridad corte la alimentación eléctrica de la instalación. No intente hacer ninguna reparación por su cuenta, sino que llame a su instalador de confianza. Mientras tanto, la instalación podrá funcionar con *Apertura y Cierre* manual, desbloqueando manualmente los motorreductores, tal como se describe en este manual.

- Al volver la corriente eléctrica después de un corte, el primer movimiento accionado será ejecutado por el automatismo a la velocidad lenta, independientemente del tipo de velocidad regulada.

- Aunque piense que lo sabe hacer, no modifique la instalación ni los parámetros de programación y de regulación del automatismo: la responsabilidad es de la persona que ha instalado el automatismo.

- El ensayo, los trabajos de mantenimiento periódico y las posibles reparaciones deben ser documentados por quien los hace, y los documentos tienen que ser conservados por el dueño de la instalación.

- Al final de la vida útil del automatismo, el desguace debe ser hecho por personal cualificado y los materiales deben ser reciclados o eliminados según las normas locales vigentes.

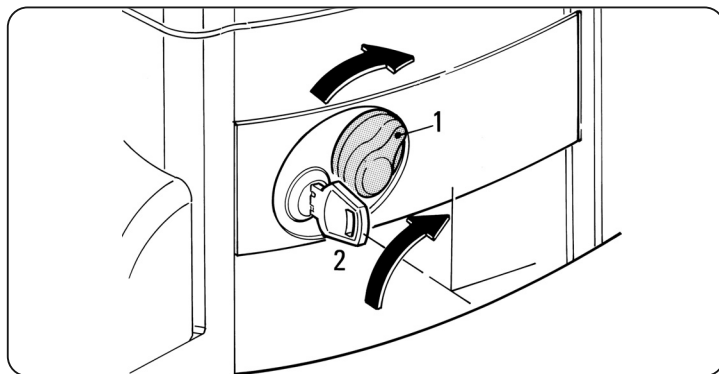
### BLOQUEAR O DESBLOQUEAR MANUALMENTE EL MOTORREDUCTOR

El motorreductor incorpora un sistema mecánico que permite abrir y cerrar la cancela manualmente.

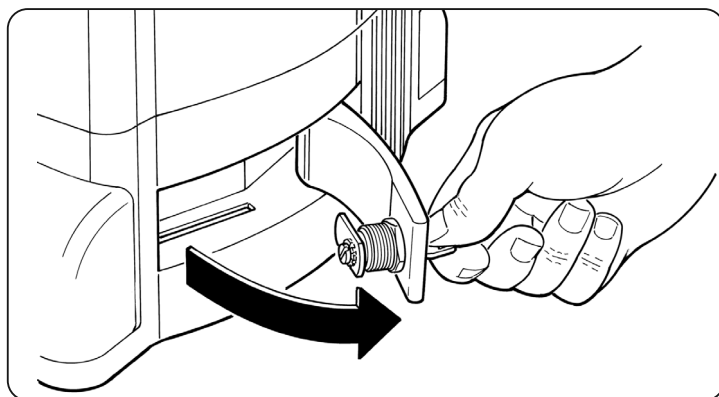
Estas operaciones manuales deben hacerse cuando no haya corriente eléctrica o cuando haya algún desperfecto en el funcionamiento. En este último caso, el uso del mecanismo de desbloqueo puede ser útil para comprobar si el desperfecto depende del mismo mecanismo (por ejemplo podría estar mal apretado).

Para desbloquear manualmente el motorreductor, utilice de la siguiente manera la llave de desbloqueo suministrada:

01. Gire el cubre cerradura;
02. Introduzca la llave en el perno de desbloqueo;
03. Gire 90° la llave en el sentido horario y tire de la manija usted;



04. Entonces, será posible mover manualmente la hoja de la cancela hacia la posición deseada;



05. Para restablecer el funcionamiento del automatismo, cierre la manija, gire en el sentido antihorario la llave en el perno de desbloqueo y mueva manualmente la hoja hasta que oiga el ruido mecánico del enganche de la hoja con el mecanismo de arrastre;
06. Por último, quite la llave del perno de desbloqueo y guárdela.



## 1 ALLGEMEINE HINWEISE UND VORSICHTSMASSNAHMEN ZUR SICHERHEIT

### UNTER SICHEREN BEDINGUNGEN ARBEITEN!

• **ACHTUNG! – Wichtiger Hinweis: Diese Anleitungen für eventuelle spätere Wartungsarbeiten oder zur Entsorgung der Vorrichtung aufbewahren.**

• **ACHTUNG! – Alle Installierungen, Anschlüsse, Programmierungen und Wartungen der Vorrichtung dürfen nur durch qualifizierte Techniker ausgeführt werden!**

In Anbetracht der Gefahren, die während der Installierung und des Gebrauchs auftreten können, ist es zur höchst möglichen Sicherheit notwendig, dass die Installierung bei vollständiger Einhaltung der Gesetze, Vorschriften und Regelungen erfolgt. In diesem Kapitel werden die allgemeinen Hinweise aufgeführt; andere wichtige Hinweise sind in den Kapiteln "3 – Installierung" und "7 – Abnahme und Inbetriebnahme" angegeben.

**Gemäß der neuesten europäischen Gesetzgebung wird die Automatisierung eines Tors oder einer Tür durch die Richtlinie 98/37/EG (Maschinenrichtlinie) und insbesondere durch die Normen EN 13241-1 (zugehörige Norm); EN 12445; EN 12453 und EN 12635 geregelt, die die Konformitätserklärung gegenüber der Maschinenrichtlinie ermöglichen.**

Weitere Informationen, Anleitungen zur Risikoanalyse und Erstellung der Technischen Unterlagen sind in der Website [www.niceforyou.com](http://www.niceforyou.com) erhältlich. Dieses Handbuch ist - außer der abtrennbaren Anlage "Gebrauchsanleitung" für den Installateur - ausschließlich für qualifiziertes Installationspersonal bestimmt; andere in dieser Unterlage enthaltene Informationen sind für den Anwender nicht relevant!

• Eine andere als in diesem Handbuch beschriebene Anwendung des Produkts ist untersagt; falsche Anwendungen können die Ursache für Gefahren oder Verletzungen von Personen und Schäden an Gegenständen sein.

• Vor dem Beginn der Installierung ist es notwendig, die Risikoanalyse vorzunehmen, die die Liste der grundsätzlichen Sicherheitsanforderungen gemäß Anlage I der Maschinenrichtlinie einschließt, wobei die jeweils getroffenen Lösungen angegeben werden müssen.

Wir erinnern daran, dass die Risikoanalyse eine der Unterlagen darstellt, aus denen die technischen Unterlagen der Automatisierung bestehen.

• Die Notwendigkeit weiterer Vorrichtungen zur Vervollständigung der Automatisierung aufgrund der spezifischen Anwendungssituation und der vorhandenen Gefahren prüfen; es müssen zum Beispiel die Risiken eines Aufpralls, Quetschen, Schneiden, Mitziehen usw. sowie andere generelle Gefahren in Betracht gezogen werden.

• Keine Änderungen an den Teilen vornehmen, außer wenn sie in diesen Anleitungen angegeben sind; Vorgänge dieser Art rufen nur eine mangelhafte Funktion hervor; NICE lehnt jede Verantwortung für Schäden aufgrund geänderter Produkte ab.

• Während der Installierung und Anwendung vermeiden, dass feste oder flüssige Substanzen in die Steuerung oder in andere offene Vorrichtungen gelangen können; eventuell wendet man sich an den NICE – Kundenservice, da die Anwendung unter diesen Bedingungen Gefahren hervorrufen könnte.

• Die Automatisierung kann nicht verwendet werden, bevor die Inbetriebnahme vorgenommen wurde, wie in Kapitel 5 "Abnahme und Inbetriebnahme" beschrieben wird.

• Das Verpackungsmaterial muss bei vollständiger Einhaltung der örtlichen Vorschriften entsorgt werden.

• Wenn eine Störung trotz Anwendung der in diesem Handbuch aufgeführten Informationen nicht gelöst werden kann, muss der Kundenservice NICE benachrichtigt werden.

• Falls Automatikschalter oder Sicherungen eingreifen, muss die Störung vor deren erneuter Aktivierung aufgefunden und beseitigt werden.

• Bevor an den Klemmen im Deckel gearbeitet wird alle Speisungskreise abtrennen; wenn die Abtrennvorrichtung nicht sichtbar ist, das folgende Schild anbringen: "ACHTUNG – LAUFENDE WARTUNGSARBEITEN".

Besondere Hinweise über die Anwendungseignung dieses Produkts in Bezug auf die "Maschinen"-Richtlinie 98/37/EG (frühere 89/392/EWG):

• Dieses Produkt wird als "Maschinenbestandteil" auf den Markt gebracht und somit gebaut, um in eine Maschine integriert oder mit anderen Maschinen zusammengesetzt zu werden, um eine "Maschine" gemäß Richtlinie 98/37/EG in Verbindung mit anderen Bestandteilen gemäß den

Vorgehensweisen dieser Gebrauchsanleitung zu bilden. Wie von der Richtlinie 98/37/EG vorgesehen ist, weisen wir darauf hin, dass die Inbetriebnahme dieses Produkts zugelassen ist, bis der Hersteller der Maschine, in der dieses Produkt integriert wird, diese nicht identifiziert und gemäß der Richtlinie 98/37/EG als konform erklärt hat.

Besondere Hinweise über die Anwendungseignung dieses Produkts in Bezug auf die Richtlinie "Niederspannung" 2006/95/EWG:

• Dieses Produkt entspricht den Anforderungen der Richtlinie "Niederspannung", wenn es für den Zweck und mit den Konfigurationen verwendet wird, die in dieser Gebrauchsanleitung vorgesehen sind und in Verbindung mit den in den Produktkatalogen Nice S.p.A. aufgeführten Artikeln. Das Produkt könnte den Anforderungen nicht gerecht werden, wenn es mit Konfigurationen oder anderen nicht vorgesehenen Produkten verwendet wird; die Anwendung des Produkts in diesen Situationen ist untersagt, bis der Installateur die Übereinstimmung mit den von der Richtlinie vorgesehenen Anforderungen geprüft hat.

Besondere Hinweise über die Anwendungseignung dieses Produkts in Bezug auf die Richtlinie "Elektromagnetische Kompatibilität" 2004/108/EWG:

• Dieses Produkt wurde Versuchen bezüglich der elektromagnetischen Kompatibilität in den kritischsten Anwendungssituationen unterzogen, mit den in dieser Gebrauchsanleitung vorgesehenen Konfigurationen und in Verbindung mit den in Produktkatalog Nice S.p.a. aufgeführten Artikeln. Die elektromagnetische Kompatibilität könnte nicht garantiert werden, wenn das Produkt mit Konfigurationen oder anderen nicht vorgesehenen Produkten verwendet wird; die Anwendung des Produkts in diesen Situationen ist untersagt, bis der Installateur die Übereinstimmung mit den von der Richtlinie vorgesehenen Anforderungen geprüft hat.

## 2 BESCHREIBUNG DES PRODUKTS UND VERWENDUNGSZWECK

**TH1500 ist zur Automatisierung eines Schiebetors für Wohngebäude bestimmt. Jegliche andere Anwendung, als hier beschrieben und unter anderen Umgebungsbedingungen, als in diesem Handbuch aufgeführt, ist als falsch anzusehen und somit untersagt!**

Der Toröffner besteht aus einem 230 V - Wechselstrommotor, einem Ritzel und einer Steuerung.

Die Steuerung speist alle in der Anlage vorhandenen Vorrichtungen und überwacht deren Operativität. Sie besteht aus einer Steuerkarte und einem integrierten Mehrfachcode-Funkempfänger, der die von einem Sender übertragenen Befehle erhält. Es stehen verschiedene Funktionen zur Verfügung, die die persönliche Gestaltung der Automatisierung ermöglichen.

Die Automatisierung ermöglicht die Installierung verschiedener Zubehörteile, die deren Funktionstüchtigkeit erhöhen und die Sicherheit garantieren.

Das Produkt funktioniert über die Netzstromspeisung und im Falle einer Unterbrechung des Stroms (Stromausfall) ist es möglich, den Toröffner von Hand zu entriegeln, um das Tor "von Hand" zu bewegen.

## 3 INSTALLIERUNG

### 3.1 - Prüfungen vor der Installierung

Vor der Installierung muss die Unversehrtheit des Produkts sowie die Eignung des gewählten Modells und der zur Installierung bestimmten Umgebung geprüft werden.

**WICHTIG – Der Toröffner kann kein manuelles Tor automatisieren, wenn dieses keine effiziente und sichere Struktur aufweist. Außerdem können Defekte aufgrund einer falschen Installierung oder einer mangelhaften Wartung des Tors nicht behoben werden.**

### 3.2 - Eignung der Umgebung und des zu automatisierenden Tors

• Prüfen, ob die mechanische Struktur des Tors zur Automatisierung geeignet ist und den örtlich geltenden Vorschriften entspricht (*eventuell bezieht man sich auf die Daten des Etiketts am Tor*).

• Prüfen, ob Gewicht und Abmessungen des Torflügels innerhalb der Anwendungslimits liegen, die im Abschnitt 3.3 "Anwendungslimits" aufgeführt sind.

• In Bezug auf die in Kapitel "Technische Produkteigenschaften" aufgeführten Werte prüfen, ob:

- die notwendige Kraft, um den Torflügel zu bewegen, unter der Hälfte des Werts der Kraft liegt, die dem "max. Drehmoment" entspricht;



- die notwendige Kraft, um den Torflügel in Bewegung zu halten, unter der Hälfte des Werts der Kraft liegt, die dem "Nennmoment" entspricht.  
*Anmerkung – Um den Wert der Kraft einzustellen empfehlen wir, einen Spielraum von 50% anzuwenden, da schlechte Wetterbedingungen die Reibungen erhöhen könnten.*

- Den Torflügel von Hand öffnen und schließen, prüfen, ob die Bewegung mit derselben und konstanten Reibung in jedem Punkt der Bewegung erfolgt (es dürfen keine größeren Beanspruchungen vorliegen).
- Prüfen, ob der Torflügel das Gleichgewicht hält, d.h. sich nicht bewegt, wenn es von Hand in eine beliebige Position gebracht und dort belassen wird.
- Prüfen, ob die Gefahr eines Austritts des Torflügels aus den Führungen vorliegt.
- Prüfen, ob der Befestigungsbereich des Toröffners Überschwemmungen unterliegen könnte; eventuell die Installation des Toröffners in einer vom Boden angehobenen Position vornehmen.
- Prüfen, ob um den Toröffner ausreichend Platz ist, um die manuelle Entregelung auszuführen.
- Prüfen, ob die Einklemmriskopunkte zwischen dem Torflügel und den festen Teilen dieses während den Öffnungs- und Schließbewegungen geschützt sind.
- Prüfen, ob die zur Installation gewählten Oberflächen der verschiedenen Vorrichtungen solide sind und eine stabile Befestigung garantieren können. Insbesondere prüfen, ob die zur Befestigung der Photozellen gewählten Oberflächen flach sind und eine korrekte Anpassung der Photozellen ermöglichen.
- Prüfen, ob jede zu installierende Vorrichtung in einer vor plötzlichen Stößen geschützten Position angebracht sind.
- Prüfen, ob das Intervall der auf der Produktetikette angegebenen Betriebstemperatur mit den Klimabedingungen des Ortes kompatibel ist, an dem dieses installiert wird.
- Wenn der Torflügel eine Durchgangstür aufweist oder diese Tür im Bewegungsbereich des Torflügels liegt, muss sichergestellt werden, dass diese die normale Bewegung des Torflügels nicht beeinträchtigt; bei Bedarf ein kompatibles Verriegelungssystem installieren.
- Die Steuerung an eine Stromleitung mit Sicherungserdung anschließen.
- In der Zuleitung der Automatisierung eine Trennvorrichtung vom Stromnetz vorsehen, um eine Öffnungsdistanz der Kontakte zu garantieren, die die vollständige Trennung unter den Bedingungen der Überspannungskategorie III ermöglicht. Wenn die Speisungstrennvorrichtung nicht in der Nähe der Automatisierung ist, muss ein Sperrsystem gegen einen unerwünschten oder nicht zugelassenen Anschluss angebracht werden.

### 3.3 - Produktanwendungslimit

Zur Festsetzung der Produkteignung gegenüber den Eigenschaften Ihres Tors und der Besonderheit des zu automatisierenden Umfangs müssen die folgenden Prüfungen vorgenommen und deren Konformität mit den in diesem Abschnitt aufgeführten Daten sowie mit den technischen Daten des Kapitels "Technische Produkteigenschaften" kontrolliert werden.

- Prüfen, ob der Torflügel Abmessungen und ein Gewicht aufweist, die in den folgenden Limits liegen:

**Höchstlänge 14 m**

**Höchstgewicht 1500 kg**

- Die Gesamtabmessungen des Toröffners in Bezug auf **Abb. 1** prüfen.  
*Anmerkung – Diese Maße dienen auch als Bezug zur Kalkulierung des Platzes, der für die Fundamentarbeiten zum Durchgang der Stromkabelkanäle benötigt wird.*
- Prüfen, ob im zur Befestigung des Antriebs festgesetzten Bereich ausreichend Platz vorhanden ist, um diesen anzubringen.
- Am Torflügel prüfen, ob in den Punkten, wo die Befestigung der Zahnstange vorgesehen ist, eine geeignete und solide Oberfläche vorhanden ist.

**Achtung!** – Wenn das Ergebnis dieser Prüfungen nicht den Vorschriften entspricht, kann das vorliegende Modell nicht zur Automatisierung Ihres Tors verwendet werden.

### 3.4 - Vorbereitungsarbeiten

Die **Abb. 2** zeigt ein Beispiel einer Automatisierungsanlage, die mit Bestandteilen von Nice ausgeführt wurde. Diese Bestandteile werden gemäß dem üblichen und gewöhnlichen Schema angebracht.

In Bezug auf die **Abb. 2** die ungefähre Position festsetzen, in der jedes in der Anlage vorgesehene Teil installiert wird.

**Hinweis** – Die "fest" montierten Steuervorrichtungen müssen am Tor, aber von seinen beweglichen Teilen entfernt angebracht werden. Der Antrieb wird werkseitig eingestellt, um rechts am Tor installiert zu werden. **ACHTUNG!** – Wenn man dazu gezwungen ist, den Antrieb links am Tor zu installieren, bezieht man sich auf die Anleitungen im Kapitel 4 (Abschnitt 4.1 - Punkt 07).

### Nützliche Bestandteile zur Ausführung einer vollständigen Anlage (Abb. 2):

- 1 - elektromechanischer Antrieb
- 2 - Photozellenpaar
- 3 - Schlüsselwahlschalter oder Digitaltastatur
- 4 - blinkender Melder mit integrierter Antenne
- 5 - Endanschläge
- 6 - Zahnstange
- 7 - Säulen für Photozellen

Vor der Installation des Produkts sicherstellen, dass alle notwendigen Werkzeuge und Material zur Verfügung stehen, um die Arbeit auszuführen. Außerdem prüfen, ob diese in einem guten Zustand sind und den örtlichen Sicherheitsvorschriften entsprechen.

Die Bauarbeiten zur Verlegung der Stromkabelrohre oder alternativ die Verlegung für die externen Kabelkanäle vornehmen, danach die Befestigung im Beton der oben genannten Rohre und alle anderen Vorbereitungsarbeiten ausführen, um die Umgebung für die folgenden Installationsarbeiten vorzubereiten.

**Insbesondere wird zur Ausführung der Bauarbeiten zur Verankerung des Antriebs am Boden wie folgt vorgegangen:**

- 01.** Das Fundament in der Befestigungsposition des Antriebs ausführen.  
**Anmerkung** – Die Abmessungen der Aushebung müssen gleich oder größer als die Maße der Fundamentplatte sein.
- 02.** Die Stromkabelkanäle anordnen.

**ACHTUNG!** – Generell die Enden der Kabelkanäle an den Punkten verlegen, wo die Befestigung der verschiedenen Vorrichtungen vorgesehen ist.

**Anmerkung:** Die Rohre haben den Zweck, die Stromkabel zu schützen und plötzliche Brüche, wie zum Beispiel im Falle von Stößen, zu vermeiden.

Um die für Ihre Anlage notwendigen Stromkabel vorzubereiten, bezieht man sich auf **Abb. 10-10a** und "Tabelle 1 - Technische Eigenschaften der Stromkabel".

**Tabelle 1 - Technische Eigenschaften der Stromkabel**

Anschluss	Kabeltyp	zugelassene Höchstlänge
<b>A:</b> Kabel SPEISUNG	Kabel 3 x 1,5 mm <sup>2</sup>	30 m ( <b>Anmerkung 1</b> )
<b>B:</b> Kabel BLINKEND mit Antenne	Kabel 2 x 0,5 mm <sup>2</sup> Kabel geschützt Typ RG58	30 m 20 m (unter 5 m empfohlen)
<b>C:</b> Kabel PHOTOZELLEN	Kabel 2 x 0,5 mm <sup>2</sup> (TX) Kabel 4 x 0,25 mm <sup>2</sup> (RX)	30 m 30 m
<b>D:</b> Kabel SCHLÜSSEL-WAHLSCHALTER oder DIGITALTASTATUR	Kabel 4 x 0,25 mm <sup>2</sup>	30 m

**Allgemeine Anmerkung:** Die notwendigen Kabel zur Ausführung der Anlage (nicht in der Verpackung enthalten), können aufgrund der Menge und der Art der in der Anlage vorgesehenen Bestandteile variieren.

**Anmerkung 1:** Wenn eine höhere Länge notwendig ist, ist es möglich, ein Kabel mit Durchmesser 2 x 2,5 mm<sup>2</sup> zu nutzen; in diesem Fall ist eine Sicherungserdung in der Nähe der Automatisierung notwendig.

**ACHTUNG!** – Die benutzten Kabel müssen für die Installationsumgebung geeignet sein, zum Beispiel werden für Innenräume Kabel Typ H03VV-F empfohlen und für Außenbereich Kabel Typ H07RN-F.

### 3.5 - Die Bestandteile der Automatisierung installieren HINWEISE

- Eine falsche Installation kann schwerwiegende Verletzungen der die Arbeit ausführenden Person sowie der die Anlagen anwendenden Personen verursachen.
- Vor dem Zusammenbau der Automatisierung die Vorprüfungen laut Abschnitt "3.2 – Eignung der Umgebung und des zu automatisierenden Tors" und "3.3 – Produktanwendungslimits" ausführen.
- Einen oder mehrere Kabelkanäle vorsehen.

#### Befestigung der Fundamentplatte

- 01.** Von Hand die mitgelieferten niedrigen Muttern M12 für jede Befestigungsklemme über das ganze Gewinde einschrauben.
- 02.** Die vier Befestigungsklemmen in die Fundamentplatte einsetzen (**Abb. 3**);
- 03.** Eine oder mehrere Hüllen für den Durchgang der Stromkabel vorsehen;
- 04.** Die Platte in den Beton einsetzen und darauf achten, sie perfekt waagrecht zu setzen.



Es ist wichtig, die Distanz der Fundamentplatte von der Zahnstange einzuhalten (somit muss zuvor bekannt sein, ob sie an das Tor geschweißt oder mit Schrauben und Distanzstücken befestigt wird), damit die Lochbefestigung des Antriebs genützt werden kann (**Abb. 4**).

### Installation des Antriebs

- 01.** Den Deckel vom Antrieb entfernen, indem die Schrauben an den Seiten mit einem Schraubenzieher abgeschraubt werden (**Abb. 5**).  
**Anmerkung** – Wir empfehlen, den Antrieb ohne Deckel zu lassen, bis die Installation und Programmierung abgeschlossen ist.
- 02.** Die zwei Abdeckflügel nach oben ziehen und entfernen (**Abb. 6**).
- 03.** Den THOR1500 auf die vorher eingemauerte Fundamentplatte stützen.
- 04.** Die vier flachen Muttern anschrauben (max. 10 mm), falls der Getriebemotor in der Höhe verstellt werden soll, andernfalls die Muttern nicht benutzen, Abb. 10.
- 05.** Die 4 Unterlegscheiben einfügen.
- 06.** Die Muttern M12 und die eventuellen flachen Gegenmuttern energisch mit einem 19 mm Schlüssel blockieren.
- 07.** Die zwei Abdeckflügel wieder durch Druck von oben nach unten einsetzen (nur zur Ästhetik).
- 08.** Den Antrieb mit dem hierfür vorgesehenen Schlüssel entriegeln (Bezug auf Abschnitt "Sperrn oder Entriegeln des Antriebs von Hand" in der Gebrauchsanleitung").
- 09.** Den Torflügel von Hand in die maximale Öffnungsposition bringen und den ersten Teil der Zahnstange über das Antriebsritzel legen. **Wichtig:** - Die Gesamtlänge der Zahnstange muss gleich der Länge des Flügels Ihres Tors sein; die Distanz zwischen Ritzel und Zahnstange muss zirka 1-2 mm betragen, um zu vermeiden, dass das Gewicht des Flügels den Antrieb beeinträchtigt.
- 10.** Nun wird die Zahnstange am Torflügel befestigt (Bezug auf die Gebrauchsanleitung der Zahnstange).
- 11.** Den Torflügel von Hand bewegen, um alle Teile der Zahnstange zu befestigen: Als Bezugspunkt das Ritzel und eine Wasserwaage verwenden, um jeden Bereich der Zahnstange waagrecht und perfekt mit dem Ende auszurichten, das am Ritzel anliegt. **Anmerkung** – Um die Teile der Zahnstange provisorisch an den Torflügel zu befestigen, müssen Klemmen wie in **Abb. 8** gezeigt verwendet werden.  
**Hinweis** – Falls die von der Zahnstange ermöglichte Einstellung nicht ausreichend ist, kann der Antrieb in der Höhe über die 2 Inbusschrauben eingestellt werden.
- 12.** Die Zahnstange darf nicht über den Torflügel hinaus abstehen, somit muss der überstehende Teil dieses abgeschnitten werden.
- 13.** Von Hand einige Öffnungs- und Schließbewegungen des Torflügels ausführen, um zu prüfen, ob die Zahnstange auf dem Ritzel regelmäßig über die ganze Länge verläuft. Außerdem prüfen, ob die Distanz zwischen Ritzel und Zahnstange zirka 1-2 mm beträgt.
- 14.** Die beiden Endanschlagbügel ungefähr an der Zahnstange anbringen (**Abb. 9**) und von Hand am Tor vorgehend die definitive Befestigung vornehmen.
- 15.** Die Endanschlagbügel wie folgt befestigen:
  - a)** Den Torflügel von Hand in die Öffnungsposition bringen und mindestens einen Abstand von 2-3 cm ab dem mechanischen Stopp belassen.
  - b)** Den Endanschlagbügel auf der Zahnstange in der Öffnungsrichtung verlaufen lassen, bis der Endschalter eingreift. Dann den Bügel um mindestens 2 cm verschieben und schließlich mit den mitgelieferten Dübeln sperren.
  - c)** Denselben Vorgang wiederholen, um den Endschlag der Schließbewegung zu befestigen.
- 16.** Schließlich den Antrieb mit dem hierfür vorgesehenen Schlüssel sperren (Bezug auf Kapitel "Manuelles Sperren oder Entriegeln des Antriebs").

### Bestandteile der Steuerung (Abb. 11):

- a - Klemmenbrett für Antenne
- b - Dip-Switch zur Auswahl der Funktionen
- c - Funkdruckknopf
- d - Trimmer Einstellung Betriebszeit (TL)
- e - Trimmer Einstellung Pausenzeit (TP)
- f - Klemmenbrett Steuerungseingänge/-ausgänge
- g - Eingangsstecker der Endanschlüsse
- h - Klemmenbrett Ausgang Blinkleuchte / Zusatzleuchte
- i - Stecker Kondensator
- l - Stecker Ausgang Speisung Motor
- m - Klemmenbrett Speisung
- n - Led Signalisierung
- o - Sicherung Niederspannung (315 mA F)
- p - Trimmer Einstellung Kraft (F)
- q - Led "OK"
- r - Trafo
- s - Leitungssicherung (5A F)

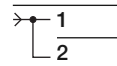
### ACHTUNG!

- Um gefährliche Situationen während den Anschlussarbeiten zu vermeiden, darf die Steuerung nicht gespeist werden.
- Ein falscher Anschluss kann Störungen oder gefährliche Situationen hervorrufen; somit müssen die angegebenen Anschlüsse genauestens eingehalten werden.
- Es liegen genau einzuhalten präzise Vorschriften bezüglich der Sicherheit der elektrischen Anlagen wie der automatischen Tore vor.

Zur Ausführung der Stromanschlüsse den Deckel an der Steuerung entfernen, wie in **Abb. 12** gezeigt wird und laut **Abb. 11** und Abschnitt „Beschreibung der elektrischen Anschlüsse“ vorgehen. Schließlich das Stromkabel mit dem entsprechenden Niederhalter befestigen (**Abb. 13**). Für eine korrekte elektrische Sicherheit und eine gute Funktion der Automatisierung muss der Erdanschluss in der Klemme laut **Abb. 11** ausgeführt werden.

### Beschreibung der Stromanschlüsse

Es folgt die Beschreibung der möglichen Anschlüsse der Steuerung für die Steuer- und Sicherheitsvorrichtungen:

Klemmen	Funktion	Beschreibung
1 - 2 - 3	Speisung	Speisungsleitung aus Netz
4 - 5	Blinklicht	Ausgang für Anschluss des Blinklichts an Netzspannung (max. 40 W)
8 - 9	24 Vac	Speisung Betriebe 24 Vac +/- 25% (max. 150 mA)
9	Gemeinsam	gemeinsam für alle Eingänge
10	Alt	Eingang mit Funktion "Alt" (Stop und Kurzumkehrung)
11	Photo	Eingang für Sicherheitsvorrichtungen
12	Schrittbetrieb	Eingang für zyklische Bewegung (PP) ("öffnet" – "Stop" – "schließt" – "Stop")
	1	Antenne +
	2	Antenne Erde

### Hinweise:

- Die Eingänge der Kontakte NC (Normalerweise geschlossen) müssen "überbrückt" werden, wenn sie nicht benutzt werden und wenn mehr als einer vorliegt, müssen sie HINTEREINANDER angeordnet werden;
- Die Eingänge der Kontakte NO (Normalerweise geöffnet) müssen frei belassen werden, wenn sie nicht benutzt werden; wenn mehr als einer vorliegt, müssen sie untereinander PARALLEL angeordnet werden;
- Die Kontakte müssen unbedingt mechanisch und von jedem Potential frei sein, es sind keine Stufenanschlüsse wie zum Beispiel "PNP", "NPN", "Open Collector" usw. zugelassen.

### 4.1 - Erstes Einschalten und Prüfen der Anschlüsse

**ACHTUNG!** – Alle folgenden im Handbuch beschriebenen Vorgänge werden an unter Spannung stehenden Stromkreisen ausgeführt, wodurch die Bewegungen gefährlich werden könnten! Somit mit Vorsicht vorgehen.

- 01.** Die Steuerung speisen und prüfen, ob zwischen den Klemmen 8-9 zirka 24 Vac vorliegen.
- 02.** Prüfen, ob die Led "OK" nach einem schnellen Blinken regelmäßig blinkt.
- 03.** Dann prüfen, ob die Leds der Eingänge mit Kontakten NC aufleuchten (= alle Sicherungen aktiv) und die Leds der Eingänge NO ausgeschaltet sind (= kein Befehl vorhanden).

Wenn das nicht erfolgt, müssen die verschiedenen Anschlüsse und Funktionen der verschiedenen Vorrichtungen kontrolliert werden. Der

## 4 STROMANSCHLÜSSE

Nachdem der Antrieb und die Steuerungs- (Schlüsselwahlschalter oder Druckknopfplatten) und Sicherheitsvorrichtungen installiert wurden (Notfallstopp, Photozellen, Schallleisten, Blinkleuchte) können die Stromanschlüsse in Bezug auf die folgenden Abschnitt und Beispiel der **Abb. 10-10a** ausgeführt werden.

Die Steuerung weist verschiedene durch Dip-Switch (Miniwahlschalter) auswählbare Funktionen und Einstellungen auf, die durch Trimmer ausgeführt werden können (**Abb. 11**).

Die Leds der Eingänge (**Abb. 11**) zeigen den Betriebszustand der Bestandteile der Automatisierung an; das Led "OK" (**Abb. 11**) zeigt dagegen den korrekten Betrieb der Steuerung selbst an. Die Steuerung beinhaltet außerdem einen Multicode-Funkempfänger.

Eingang "Alt" greift ein und deaktiviert den Endschalter Öffnen (FCA) wie den Endschalter Schließen (FCC).

- 04.** Den Anschluss der Endschalter prüfen: Den Hebel des Endanschlags bewegen und prüfen, ob der jeweilige Endschalter eingreift, wobei die Led an der Steuerung abgeschaltet wird.
- 05.** Den Antrieb entriegeln und den Torflügel auf die Hälfte seines Hubs bringen, dann den Antrieb sperren. Auf diese Weise ist der Torflügel frei, um die Öffnungs- wie die Schließbewegung ausführen zu können.
- 06.** Prüfen, ob die Bewegung des Tors gegenüber der Anzeige der Steuerung in der korrekten Richtung erfolgt. **Wichtig – Diese Prüfung unbedingt vornehmen. Wenn die Richtung des Flügels gegenüber der Anzeige der Steuerung nicht korrekt ist, könnte die Automatisierung dem Anschein nach regulär funktionieren (der Zyklus "Öffnet" ist dem Zyklus "Schließen" ähnlich), aber in Wirklichkeit könnten die Sicherheitsvorrichtungen während der Ausführung der Schließbewegung ignoriert werden. In diesem Fall würden die Sicherheitsvorrichtungen nur während der Öffnungsbewegung eingreifen und so ein erneutes Schließen gegen das Hindernis mit schwerwiegenden Auswirkungen hervorrufen!**
- 07.** Prüfen, ob die Drehrichtung des Motors korrekt ist: Einen kurzen Impuls an den Eingang PP senden, die Steuerung führt als erste Bewegung immer die Öffnung aus, somit ist es ausreichend zu prüfen, ob sich auch der Motor in der Öffnungsrichtung bewegt.  
Wenn das nicht geschieht, wie folgt vorgehen:
- Die Steuerung von der Speisung trennen;
  - Den Stromversorgungsstecker des Motors (**l - Abb. 11**) und den des Endanschlags um 180° drehen (**g - Abb. 11**);
  - Jetzt wird der Steuerung Speisung gegeben und die Prüfung des Punkts 07 wiederholt.

Die Led "OK" in der Steuerung (**Abb. 11**) dient zur Anzeige des Betriebszustands dieser:

- 1 regelmäßiges Blinken mit einem 1 Sekunden - Takt = zeigt an, dass der interne Mikroprozessor aktiv und bereit ist, um Befehle zu erhalten.
- 1 doppeltes schnelles Blinken = zeigt an, dass der Mikroprozessor eine Änderung des Betriebszustands eines Eingangs erfasst (eines Steuerungseingangs wie eines Dip-Switch der Funktion); das erfolgt auch, wenn die erfasste Variation keine sofortigen Auswirkungen hat.
- 1 sehr schnelles Blinken über 3 Sekunden = zeigt an, dass die Steuerung gespeist wurde und einen Test ausführt, um den Betriebszustand zu prüfen.
- 1 regelmäßiges Blinken = zeigt an, dass der Test nicht gut verlaufen ist und somit eine Störung vorliegt.

## 5 EINSTELLUNG DER PARAMETER

Es ist möglich, die Betriebsparameter der Steuerung mit den "Trimmern" (**Abb. 11**) dieser einzustellen.

• **Betriebszeit (TL):** Im Betriebsmodus "Halbautomatisch" regelt dieser Parameter die Höchstdauer der *Öffnungs-* oder *Schließbewegung*. Um diesen Parameter einzustellen, wie folgt vorgehen: **a)** Die Betriebsweise "Halbautomatisch" auswählen, indem der *Dip-Switch 1* auf "ON" gestellt wird; **b)** den "Trimmer TL" auf halben Hub positionieren; **c)** einen vollständigen *Öffnungs-* und *Schließzyklus* ausführen und prüfen, ob die eingestellte Höchstdauer der *Öffnungs-* und *Schließbewegung* ausreichend ist und ein Spielraum von 2 oder 3 Sekunden verbleibt; bei Bedarf den "Trimmer TL" erneut mit dem Höchstwert einstellen. Falls diese Zeitspanne immer noch nicht ausreichend ist, muss die Brücke TLM am Trimmer TL (**Abb. 12**) durchgeschnitten werden, um eine "Erhöhte Betriebszeit" zu erhalten (TLM).

Wenn eine Verlangsamungsfunktion genutzt werden soll, muss der Trimmer so eingestellt werden, dass die Verlangsamungsphase 50-70 cm vor dem Eingriff der Endschalter beginnt.

Eine eventuelle Änderung dieses Parameters kann während der Ausführung der ersten *Öffnungsbewegung* gesehen werden, die nach der Änderung ausgeführt wird.

• **Pausenzeit (TP):** In der Betriebsart "Automatik" regelt dieser Parameter die Zeit, die zwischen dem Ende der *Öffnungsbewegung* und dem Beginn der Schließbewegung vergeht. Um diesen Parameter zu regeln, wie folgt vorgehen: **a)** die Betriebsweise "Automatik" wählen, indem der *Dip-Switch 2* auf "ON" gestellt wird; **b)** den "Trimmer TP" nach Bedarf einstellen; **c)** zur Prüfung, ob die eingestellte Zeit korrekt ist, eine vollständige *Öffnungsbewegung* ausführen und die Zeit kontrollieren, die vor dem Beginn der Schließbewegung vergeht.

• **Kraft (F): Achtung –** Die Einstellung dieses Parameters kann bedeutend auf den Sicherheitsgrad der Automatisierung Einfluss haben, somit muss während dieses Vorgangs besondere Aufmerksamkeit geschenkt werden. Um diesen Parameter einzustellen, müssen Versuche durchgeführt wer-

den: Die vom Torflügel ausgeübte Kraft während einer Bewegung muss gemessen und mit den von den örtlich geltenden Vorschriften verglichen werden.

### Betriebsart

**Schrittbetrieb (PP):** Diese Betriebsart, **die manuell ausgeführt wird (anwesende Person)**, aktiviert abwechselnd die Öffnungs- oder Schließbewegung und wenn die Steuerung die vorliegende Bewegung abschließt, wird sie gestoppt.

Die Bewegung stoppt während der Öffnung und während des Schließens, auch wenn die Endschalter eingreifen; außerdem stoppt die Bewegung während des Schließens auch, wenn keine Zustimmung der Sicherheitsvorrichtungen "Photo" vorliegt. Wenn dagegen "ALT" während des Öffnens und Schließens eingreift, stoppt die Bewegung sofort und es wird eine kurze Umkehrung ausgeführt.

Wenn die Bewegung stoppt, ist es notwendig, die Übertragung des Befehls abzuschließen, bevor ein neuer übertragen wird.

Bei Anwendung der Betriebsart "Schrittbetrieb" dagegen aktiviert die Übertragung eines Befehls in einem der **Automatikmodi ("Halbautomatisch", "Automatisch" oder "Schließt immer")** abwechselnd die Öffnungs- oder Schließbewegung und eine zweite Übertragung eines Befehls aktiviert "Stopp". Wenn dagegen "ALT" während des Öffnens und Schließens eingreift, stoppt die Bewegung sofort und eine kurze Umkehrung wird aktiviert.

Falls die automatische Betriebsart genutzt wird, erfolgt nach einer Öffnungsbewegung eine Pause und am Ende dieser erfolgt eine Schließbewegung.

Wenn während der Pause die Sicherheitsvorrichtungen "Photo" eingreifen, wird der Zeitregler mit einer neuen Pausenzeit zurückgestellt; wenn während der Pause dagegen "Alt" eingreift, wird die automatische Schließfunktion annulliert und ein "Stopp" aktiviert.

Während der Öffnungsbewegung hat der Eingriff "Photo" keine Auswirkung, während des Schließens wird dagegen eine Umkehrung der Bewegung hervorgerufen, dann eine Pause, dann Schließen.

### Programmierbare Funktionen

Die Steuerung verfügt über verschiedene Mikroschalter, die die Aktivierung verschiedener Funktionen ermöglichen, die Automatisierung den Anforderungen des Anwenders anpassen und sie für die verschiedenen Anwendungen sicherer gestalten.

Zur Aktivierung oder Deaktivierung der Funktionen werden der Dip-switch 1 oder 2 betätigt: Sie werden durch Einstellung auf "**ON**" **aktiviert** und durch Einstellung auf "**OFF**" **deaktiviert**.

Einige der verfügbaren Funktionen sind mit der Sicherheit verbunden, somit ist es wichtig, aufmerksam zu bestimmen, welche Funktion sicherer ist. Die Dip-Switch ermöglichen die Auswahl der verschiedenen Betriebsweisen und die Programmierung der gewünschten Funktionen, die in der **Tabelle A** beschrieben sind:

**Tabelle A**

Switch	Off-Off	"Manuelle" Bewegung, d.h. bei anwesender Person
<b>Switch 1-2:</b>	On-Off	"Halbautomatische" Bewegung
	Off-On	"Automatische" Bewegung, d.h. automatisches Schließen
	On-On	"Automatische" Bewegung + "schließt immer"
<b>Switch 3:</b>	On	Wohnblockfunktion (nicht im manuellen Modus erhältlich)
<b>Switch 4:</b>	On	Vorwarnung
<b>Switch 5:</b>	On	schließt 5 Sekunden nach "Photo", wenn "Automatik" eingestellt oder "schließt nach Photo", wenn "halbautomatisch" eingestellt ist
<b>Switch 6:</b>	On	Sicherung "Photo" auch bei Öffnung
<b>Switch 7:</b>	On	Abgestufter Start
<b>Switch 8:</b>	On	Verlangsamung
<b>Switch 9:</b>	On	Bremse
<b>Switch 10:</b>	On	Ungenutzt

### Switch 1-2

In der Betriebsart "**Manuell**" erfolgt die Bewegung nur, solange der Befehl aktiv ist (gedrückte Taste des Senders bei anwesender Person).

In der Betriebsart "**Halbautomatik**" führt eine Befehlsübertragung die vollständige Bewegung bis zum Verfall der "Betriebszeit" oder bis zum Erreichen des Endanschlags aus.

In der Betriebsweise "**Automatik**" liegt nach einer Öffnungsbewegung eine Pause vor und am Ende dieser wird automatisch eine Schließbewegung ausgeführt.

Die Funktion "**Schließt immer**" greift infolge eines Stromausfalls ein; wenn die Steuerung den Torflügel bei Rückkehr des Stroms in Öffnungsposition

erfasst, wird automatisch eine Schließbewegung begonnen, vor der eine Vorwarnung von 5 Sekunden erfolgt.

### Switch 3

Wenn in der Betriebsart "Wohnblock" ein "Schrittbetriebsbefehl" übertragen und eine Öffnungsbewegung erfolgt, kann diese durch keine andere Befehlsübertragung "Schrittbetrieb" oder "Öffnen" über Funk unterbrochen werden, solange die Bewegung selbst erfolgt.

Dagegen ruft die Übertragung eines neuen Befehls "Schrittbetrieb" bei einer Schließbewegung den Stopp und die Umkehrung der Bewegung selbst hervor.

### Switch 4

Wenn ein Befehl übertragen wird, wird zuerst die Blinkleuchte aktiviert und nach 5 Sekunden beginnt die Bewegung (2 Sekunden, wenn die Betriebsart "Manuell" eingestellt ist).

### Switch 5

Wenn die Betriebsart "Automatik" eingestellt ist, ermöglicht diese Funktion, den Torflügel nur über die Zeit geöffnet zu halten, die zum Übergang von Fahrzeugen oder Personen notwendig ist; am Ende des Eingriffs der Sicherheitsvorrichtungen "Photo" wird die Bewegung gestoppt und beginnt nach 5 Sekunden automatisch eine Schließbewegung.

Wenn die Funktion dagegen auf "Halbautomatisch" eingestellt ist, wenn die Sicherheitsvorrichtungen "Photo" eingreifen, wird während der Schließbewegung das automatische Schließen mit der programmierten "Pausenzeit" aktiviert.

### Switch 6

Normalerweise ist die Sicherheitsfunktion "Photo" nur über die Zeitspanne der Schließbewegung aktiv, wenn der Dip-Switch 6 auf "ON" eingestellt ist; der Eingriff der Sicherheitsvorrichtung ruft eine Unterbrechung der Bewegung auch während der Öffnung hervor. Wenn dagegen die Betriebsart "Halbautomatik" oder "Automatik" eingestellt ist, beginnt die erneute Öffnungsbewegung sofort nach der Freigabe der Sicherheitsvorrichtungen.

### Switch 7

Bei Eingabe dieser Funktion erfolgt der Beginn der Bewegung abgestuft; auf diese Weise kann ein unerwünschtes Rucken der Automatisierung vermieden werden.

### Switch 8

Die Verlangsamung besteht aus einer Geschwindigkeitsreduzierung von 30% gegenüber der Nenngeschwindigkeit; das reduziert die Aufprallkraft des Torflügels am Ende einer Bewegung.

Wenn diese Funktion aktiviert wird, muss die "Betriebszeit (TL)" eingestellt werden, da der Beginn der Verlangsamungsphase mit der eingegebenen Betriebszeit verbunden ist. Somit muss die Betriebszeit eingestellt werden, damit die Verlangsamungsphase zirka 50-70 cm vor dem Eingriff der Endschalter beginnt.

Außer der Verringerung der Automatisierungsgeschwindigkeit reduziert die Verlangsamungsfunktion den Motorendrehmoment um 70%. **ACHTUNG** – Bei den Automatisierungen, die ein hohes Motorendrehmoment fordern könnte diese Verlangsamungsfunktion den sofortigen Stopp des Motors auslösen.

### Switch 9

Bei Einstellung dieser Funktion erfolgt am Ende einer Bewegung ein Bremsverfahren des Motors, das anfangs gering und dann immer stärker erfolgt, um den Torflügel schnell zu stoppen, ohne Rucke auszulösen.

### Switch 10

Unbenutzt.

## 6

## PROGRAMMIERUNG DES FUNKEMPFÄNGERS

### • **Installierung einer externen Antenne**

Wenn die mitgelieferte Antenne sich in einer ungünstigen Position befindet und das Funksignal somit schwach ist, empfehlen wir zur Verbesserung des Empfangs, diese durch Installierung einer externen Antenne (Mod. ABF oder ABFKIT) zu ersetzen. Die neue Antenne muss so hoch wie möglich und oberhalb eventueller Metall- oder Stahlbetonstrukturen in der Umgebung angebracht werden.

### • **Anschluss an die Steuerung**

Zum Anschluss des Empfängers an die Steuerung wird ein koaxiales Kabel mit einer Impedanz von 50 Ohm verwendet (zum Beispiel das Kabel RG58 mit niedrigem Verlust). **Achtung!** – Zur Reduzierung der Signaldispersion ein kurzes Kabel verwenden (es darf 10 m nicht überschreiten).

### **Hinweise zur Programmierung**

• Die in diesem Kapitel vorliegenden Programmierungsarbeiten fordern die Anwendung der **Taste "c"** und der **LED "n"** im Empfänger (**Abb. 11**). Die LED zeigt den Zustand der vorliegenden Vorgänge an und blinkt mehrere Male bei einer spezifischen Dauer. In der "Tabelle C" wird die Bedeutung des Blinkens beschrieben.

• Wir empfehlen, die Verfahren **zuerst zu lesen und danach** die Vorgänge auszuführen, wobei die Übergänge zu jedem nächsten Verfahren aufeinander folgend vorgenommen werden.

### **ACHTUNG!** – Vor der Speicherung eines Senders den folgenden Text aufmerksam lesen.

Der Empfänger kann nur die Sender einer der folgenden Codierungsgruppen speichern:

- Gruppe bestehend aus den Codierungen "O-Code", "FloR" e "TTS";
- Gruppe bestehend aus der Codierung "Flo";
- Gruppe bestehend aus der Codierung "Smilo".

**Anmerkung** – Im Empfänger ermöglicht jede Codierung die Nutzung der typischen Funktionen dieser Codierung.

### **Achtung!** – Die Codierungsgruppe, zu der der erste im Empfänger gespeicherte Sender gehört, definiert auch die Gruppe, zu der die folgenden zu speichernden Sender gehören müssen.

Zur Änderung der im Empfänger vorhandenen Codierungsgruppe muss das Verfahren "vollständiges Löschen des Speichers des Empfängers" ausgeführt werden.

Um zu prüfen, ob im Empfänger schon Sender und die Codierungsgruppe gespeichert sind, zu der sie gehören, wird wie folgt vorgegangen:

- 01.** Die Stromspeisung des Empfängers abschalten.
- 02.** Den Empfänger wieder speisen und die Blinkzahl der **grünen** LED des Empfängers zählen.
- 03.** Schließlich die soeben gezählte Blinkzahl mit der folgenden Tabelle vergleichen:
  - **1 Blinken** = Codierung Flo
  - **2 Blinken** = Codierung O-Code / FloR / TTS
  - **3 Blinken** = Codierung Smilo
  - **5 Blinken** = kein eingeschalteter Sender

**Achtung!** – Vor dem Speichern eines Senders alle wie folgt beschriebenen Speicherverfahren aufmerksam durchlesen, um zu bestimmen, welches bestens geeignet ist.

### **6.1 - Speichermodus eines Senders: "Modus I" und "Modus II"**

Generell kann die Verbindung dieser Befehle mit den Tasten eines Senders auf zwei verschiedene Weisen erfolgen:

- **Modus I:** Dieses Verfahren ermöglicht die einmalige Speicherung aller Tasten des Senders oder nur einer Gruppe dieser im Empfänger (nur in den Sendern, die mehrere Identitätscodes besitzen, wie zum Beispiel das Modell ON9). Mit diesem Verfahren werden die Tasten des Senders automatisch mit den in der Steuerung festgesetzten Befehlen verbunden.
- **Modus II:** Dieses Verfahren ermöglicht die Speicherung einer einzelnen Taste des Senders im Empfänger. Es ist möglich zu wählen, welcher Befehl unter den in der Steuerung verfügbaren programmiert werden soll (höchstens 4).

#### **Speicherverfahren im "Modus I"**

**Hinweis** – Dieses Verfahren speichert gleichzeitig alle Tasten des Senders oder nur einer Gruppe dieser.

- 01.** Die Taste am Empfänger drücken und gedrückt halten, bis die **grüne** LED am Empfänger aufleuchtet.
- 02.** Binnen 10 Sekunden am zu speichernden Sender eine beliebige Taste

drücken und gedrückt halten, bis die Led am Empfänger einmal von insgesamt 3 Mal grün blinkt, wodurch die erfolgte Speicherung angezeigt wird.

**Anmerkung** – Nach dem 3fachen Blinken stehen weitere 10 Sekunden zur Verfügung, um weitere Sender zu speichern.

### Speicherverfahren im "Modus II"

**Hinweis** – Dieses Verfahren speichert eine einzelne Taste des Senders. Somit muss das Programmierverfahren für jede Taste des zu speichernden Senders wiederholt werden.

**01.** Die "Tabelle der Befehle" zu Rate ziehen, um die verfügbaren Befehle zu wählen; den Befehl wählen, der der Taste des zu speichernden Senders zugewiesen werden soll und schließlich die dem Befehl entsprechende Nummer vermerken.

**02.** Am Empfänger die Taste einer Nummer entsprechend der Befehlsnummer drücken, die zuvor vermerkt wurde; die Led des Empfängers blinkt wiederholt entsprechend dieser Zahl.

**03.** (am Sender, binnen 10 Sekunden) die zur Speicherung gewählte Taste gedrückt halten, bis die Led des Empfängers einmal von insgesamt 3 Mal blinkt (= erfolgte Speicherung).

**Anmerkung** – Nach dem 3fachen Blinken stehen weitere 10 Sekunden zur Verfügung, um denselben Befehl auf anderen Tasten desselben Senders oder eines neuen Senders zu speichern.

### Tabelle der Befehle

Ausgang 1 = **SCHRITTBETRIEB**

Ausgang 2 = **ALT**

Ausgang 3 = **ÖFFNET**

Ausgang 4 = **SCHLIESST**

## 6.2 - Speichern eines neuen Senders bei Anwendung des Verfahrens "in der Nähe des Empfängers"

[man muss über einen schon gespeicherten Sender verfügen]

Es ist möglich, einen NEUEN Sender im Speicher des Empfängers zu speichern, ohne direkt die Taste dieses Empfängers zu betätigen, wobei einfach in seinem Empfangsbereich vorgegangen wird. Zur Ausführung dieses Verfahrens muss ein ALTER schon gespeicherter und funktionstüchtiger Sender vorliegen (im "Modus I" oder im "Modus II"). Das Verfahren ermöglicht dem NEUEN SENDEr, dieselben Einstellungen des ALTEN zu erhalten.

### Hinweise:

- Das Verfahren muss im Empfangsbereich des Empfängers ausgeführt werden (10-20 m vom Empfänger entfernt).
- Das ganze Verfahren für jeden Sender wiederholen, der gespeichert werden soll.

Es ist möglich, eines der folgenden Verfahren je nach Wunsch anzuwenden:

### Standardverfahren

**01.** Im NEUEN Sender die Taste ... mindestens 5 Sekunden gedrückt halten (**Anmerkung 1**) dann freigeben.

**02.** Im ALTEN Sender die Taste ... mindestens 3 Mal drücken (**Anmerkung 2**) dann freigeben.

**03.** Im NEUEN Sender, dieselbe Taste des Punkts 01 einmal drücken und freigeben.

### Alternatives Verfahren

**01.** Im NEUEN Sender, mindestens 3 Sekunden die Taste ... gedrückt halten... (**Anmerkung 1**), dann freigeben.

**02.** Im ALTEN Sender, mindestens 3 Sekunden die Taste ... gedrückt halten (**Anmerkung 2**), dann freigeben.

**03.** Im NEUEN Sender, mindestens 3 Sekunden die Taste des Punkts 01 gedrückt halten, dann freigeben.

**04.** Im ALTEN Sender, mindestens 3 Sekunden die Taste des Punkts 02 gedrückt halten, bis die grüne Led L1 des Empfängers 3mal blinkt, was die erfolgte Speicherung anzeigt.

**Anmerkung 1** – Eine beliebige Taste drücken, wenn der ALTE Sender im "Modus I" gespeichert ist, oder die zu speichernde Taste drücken, wenn der ALTE Sender im "Modus II" gespeichert ist.

**Anmerkung 2** – Eine beliebige Taste drücken, wenn dieser Sender im "Modus I" gespeichert ist oder die Taste mit dem Befehl, der übertragen werden soll, wenn dieser Sender im "Modus II" gespeichert ist.

## 6.3 - Vollständiges Löschen des Speichers des Empfängers

Zum Löschen aller gespeicherten Sender im Speicher des Empfängers oder alternativ aller vorhandenen Daten wie folgt vorgehen:

**01.** Die Taste des Empfängers drücken und lange gedrückt halten, bis die grüne Led aufleuchtet, dann die Variationen des Zustands beobachten:

- nach zirka 4 Sekunden leuchtet die grüne Led auf;
- nach zirka 4 Sekunden erlischt die grüne Led;
- nach zirka 4 Sekunden beginnt die grüne Led zu blinken.

**02.** Nun muss zum Löschen aller Sender die Taste **genau während des 3. Blinkens** der grünen Led freigegeben werden, oder **zum Löschen des ganzen Speichers des Empfängers** (einschließlich der Konfigurationen und der Codiergruppe der Sender) die Taste **genau während des 5. Blinkens** der grünen Led freigegeben.

## 7 ABNAHME UND INBETRIEBNAHME

**ACHTUNG!** – Die in diesem Kapitel beschriebenen Vorgänge dürfen nur durch qualifiziertes und erfahrenes Personal ausgeführt werden, wobei die Anleitungen des Handbuchs und die örtlich geltenden Gesetze und Sicherheitsvorschriften eingehalten werden.

Das ist die bedeutendste Phase bei der Ausführung der Automatisierung, um die höchste Sicherheit der Anlage zu garantieren. Das beschriebene Abnahmeverfahren kann auch zur regelmäßigen Prüfung der Automatisierungsvorrichtungen angewendet werden.

Die Abnahmephasen und die Inbetriebnahme der Automatisierung müssen durch qualifiziertes und erfahrenes Personal ausgeführt werden, das die notwendigen Versuche festsetzt, um die angewendeten Lösungen gegenüber den vorliegenden Risiken zu prüfen. Ebenso muss die Einhaltung der Gesetze, Vorschriften und Regelungen gewährleistet sein, insbesondere alle Anforderungen der Norm EN 12445, die die Prüfmethoden zur Kontrolle der Torautomatisierungen festsetzt.

### 7.1 - Abnahme der Automatisierung

Jedes einzelne Bestandteil der Automatisierung, wie zum Beispiel Schaltleisten, Photozellen, Notfallstopp usw. fordern eine spezifische Abnahmephase; für diese Vorrichtungen müssen die in den jeweiligen Gebrauchsanleitungen aufgeführten Verfahren ausgeführt werden.

Zur Abnahme wie folgt fortschreiten:

- 1** Prüfen, ob der Inhalt des Kapitels "ALLGEMEINE HINWEISE UND VORSICHTSMASSNAHMEN FÜR DIE SICHERHEIT" strengstens eingehalten wurden;
- 2** Den Antrieb mit dem diesbezüglichen Schlüssel entriegeln (Bezugnahme auf Abschnitt "Den Antrieb von Hand sperren oder entriegeln" – siehe Gebrauchsanleitung);
- 3** Prüfen, ob es möglich ist, den Torflügel von Hand zu öffnen und zu schließen;
- 4** Den Antrieb mit dem diesbezüglichen Schlüssel sperren (Bezugnahme auf Kapitel "Den Antrieb von Hand sperren oder entriegeln");
- 5** Mit den Steuer- oder Stoppvorrichtungen der Automatisierung (Schlüsselwahlschalter, Steuerdruckknöpfe, Sender usw.) Schließ- und Öffnungsversuche des Tors ausführen und sicherstellen, ob die Bewegung des Torflügels den Vorschriften entspricht. Es sollten verschiedene Versuche vorgenommen werden, um die Gleitfähigkeit des Tors zu bewerten und eventuelle Montage-, Einstellungsdefekte sowie die Anwesenheit von besonderen Reibungspunkten feststellen zu können;
- 6** Die korrekte Funktion aller in der Anlage vorhandenen Sicherheitsvorrichtungen einzeln prüfen (Photozellen, Schaltleisten usw.) und kontrollieren, ob das Verhalten der Automatisierung den Vorschriften entspricht. Wenn eine Sicherheitsvorrichtung eingreift, muss die Led "OK" in der Steuerung zwei Mal schnell blinken, um zu bestätigen, dass die Steuerung das Ereignis erkennt;
- 7** Die Aufprallkraft gemäß Norm EN 12445 messen. Wenn die Kontrolle der "Motorenkraft" durch die Steuerung als Unterstützung des Reduzierungssystems der Aufprallkraft genutzt wird, müssen die Funktionen eingestellt werden, die bessere Parameter bieten;
- 8** In der Nähe der Automatisierung ein permanent verbleibendes Etikett anbringen, das erklärt, wie der Antrieb von Hand entriegelt wird.

### 7.2 - Inbetriebnahme der Automatisierung

Die Inbetriebnahme kann nur erfolgen, nachdem alle Abnahmephasen positiv verlaufen sind. Eine Teilinbetriebnahme oder "provisorische" Situationen sind nicht zulässig.

- 1** Die technischen Unterlagen der Automatisierung mindestens 10 Jahre beachten und aufbewahren. Diese Unterlagen enthalten folgendes: Eine Gesamtzeichnung der Automatisierung, einen Plan der ausgeführten Stromanschlüsse, die Analyse der vorhandenen Risiken und die jeweiligen angewendeten Lösungen, die Konformitätserklärung des Herstellers aller verwendeten Vorrichtungen, die vom Installateur ausgefüllte

Konformitätserklärung, eine Kopie der Gebrauchsanleitung und des Wartungsplans der Automatisierung;

- 2 Am Tor ein Schild mit den folgenden Daten anbringen: Automatisierungstyp, Name und Adresse des Herstellers (Verantwortlicher der "Inbetriebnahme"), Seriennummer, Baujahr und "EG"-Prüfzeichen;
- 3 Die Konformitätserklärung ausfüllen und dem Eigentümer der Automatisierung aushändigen; hierzu muss das Formular "EG-Konformitätserklärung" ausgefüllt werden;
- 4 Das Formular "Gebrauchsanleitung" ausfüllen und dem Eigentümer der Automatisierung aushändigen;
- 5 Das Formular "Wartungsplan" ausfüllen und dem Eigentümer der Automatisierung aushändigen. Der Wartungsplan fasst die Wartungsvorschriften aller Vorrichtungen der Automatisierung zusammen;
- 6 Vor der Inbetriebnahme der Automatisierung den Eigentümer über die Gefahren und die noch vorhandenen Restrisiken informieren.

## ENTSORGUNG DES PRODUKTS

Dieses Produkt ist ein vervollständigender Teil der Automatisierung und muss somit gemeinsam mit dieser entsorgt werden.

Wie bei den Installierungsarbeiten müssen die Abrüstungsarbeiten am Ende der Lebensdauer dieses Produkts durch qualifiziertes Personal ausgeführt werden.

Dieses Produkt besteht aus verschiedenen Materialarten: Einige können recycelt, andere müssen entsorgt werden. Informieren Sie sich bitte über die Recycle- oder Entsorgungssysteme, die von den örtlich geltenden Bestimmungen für diese Produktkategorie vorgesehen sind.

**Achtung!** – Einige Teile des Produkts können Umwelt verschmutzende oder gefährliche Substanzen enthalten, die der Umwelt oder der Gesundheit der Menschen schaden könnten.

Wie von dem seitlich aufgeführten Symbol angegeben, darf dieses Produkt nicht in den Haushaltsmüll geworfen werden. Somit müssen die Regeln der "Mülltrennung" gemäß den örtlich geltenden Entsorgungsmethoden eingehalten oder das Produkt an den Verkäufer ausgehändigt werden, wenn ein neues gleichwertiges Produkt gekauft wird.



**Achtung!** – Die örtlich geltenden Regeln können schwere Strafen vorsehen, wenn dieses Produkt nicht korrekt entsorgt wird.

## REGELMÄSSIGE WARTUNGSARBEITEN

Generell benötigt dieses Produkt keine besondere Wartung, eine regelmäßige Kontrolle gewährleistet jedoch, die Anlage effizient zu halten und eine reguläre Funktion der installierten Sicherheitssysteme zu garantieren.

Die Automatisierung benötigt eine regelmäßige Wartung, damit sie solange wie möglich und unter sicheren Bedingungen funktioniert. Die Planung der Automatisierung mit regelmäßigen Abständen ausführen. Eine Wartung mindestens alle 6 Monate einplanen. Zur Wartung wie folgt vorgehen.

**ACHTUNG!** – Vor jeder Prüfung müssen alle Stromspeisungen abgetrennt werden.

- Den Abnutzungszustand aller Bestandteile der Automatisierung prüfen, insbesondere auf Erosion oder Oxydierung der Aufbauteile achten; eventuelle nicht mehr sichere Teile austauschen.
- Den Verschleißzustand der sich bewegenden Teile prüfen: Ritzel, Zahnstange und alle Bestandteile des Torflügels; eventuell verschlissene Teile ersetzen.
- Am Ende der Wartung die Stromspeisung erneut anschließen und alle Prüfungen und Versuche laut Kapitel 4 ausführen.

## TECHNISCHE PRODUKTEIGENSCHAFTEN

**HINWEISE:** • Alle hier wiedergegebenen technischen Merkmale beziehen sich auf eine Umgebungstemperatur von 20°C (± 5°C). • Die Firma Nice S.p.a. behält sich das Recht vor, jederzeit Änderungen am Produkt vorzunehmen, falls sie es für notwendig hält, wobei jedoch dieselbe Funktionsfähigkeit und derselben Bestimmungszweck beibehalten wird.

■ Netzspeisung	230 Vac 50 Hz
■ Motor	asynchroner Einphasenmotor
■ Endanschlag	elektromechanisch
■ Aufgenommene max. Leistung	350 W (peak 500 W)
■ Leitungsaufnahme	1.6 A
■ Integrierter Kondensator	14 µF
■ Schutzgrad	IP 44
■ Höchstdrehmoment (entspricht der Kraft)	35 Nm (1100 N)
■ Nenndrehmoment (entspricht der Kraft)	12 Nm (360 N)
■ Nenngeschwindigkeit	0.16 m/s
■ Wärmeschutz	140 °C
■ Höchstgewicht Torflügel	1500 Kg
■ Höchstlänge Torflügel	12 m
■ Höchstzahl Zyklen/Stunde	15 (Torflügel 6 Meter)
■ Höchstzahl aufeinander folgende Zyklen	5
■ Abmessungen	335 x 203 x h 275
■ Gewicht	11.5 kg
■ Max. Strom Betriebe 24 V	150 mA (die Spannung kann um ± 25% variieren)
■ Ausgang Blinklicht	Für Blinkleuchten mit Netzspannung, max. Leistung 40 W
■ Betriebstemperatur	-20 °C bis +50 °C
■ Betriebszeit	Einstellbar von 2.5 bis > 40 s., oder von < 40 bis > 80 s. mit TLM
■ Pausenzeit	einstellbar von 5 bis > 80 s.
■ Decodierung	"O-Code" / "FloR" / "TTS"; oder Flo"; oder "Smilo"
■ Empfangsfrequenz	433.92 MHz
■ Empfindlichkeit	besser als 0,5 V
■ Eingangsimpedanz	52 Ohm



# GEBRAUCHSANLEITUNG (an den Anwender der Automatisierung auszuhändigen)

**WICHTIG** – Diese Gebrauchsanleitung enthält wichtige Informationen über die Sicherheit; alle Anleitungen müssen vor der Anwendung des Produkts gelesen werden. Dieses Handbuch auch für zukünftigen Bedarf aufbewahren.

## HINWEISE UND VORSICHTSMASSNAHMEN

Es ist absolut untersagt, Teile der Automatisierung zu berühren, während das Tor in Bewegung ist!

- Vor der ersten Anwendung der Automatisierung widmen Sie bitte ein paar Minuten dieser Gebrauchsanleitung, die Ihnen der Installateur der Automatisierung ausgehändigt hat. Lassen Sie sich von ihm den Ursprung der Restrisiken erklären.

- Bewahren Sie dieses Handbuch für jegliche zukünftige Zweifel auf und händigen Sie es einem eventuellen neuen Besitzer der Automatisierung aus.

- Ihre Automatisierung ist eine Maschine, die Ihre Befehle genau ausführt; eine verantwortungslose und falsche Anwendung kann Gefahren hervorrufen. Steuern Sie die Bewegung der Automatisierung nicht, wenn Personen, Tiere oder Gegenstände in ihrem Wirkungskreis sind.

- **Kinder:** Diese Automatisierungsanlage garantiert eine hohe Sicherheitsstufe und vermeidet durch ihre Erfassungssysteme Bewegungen bei Anwesenheit von Personen oder Gegenständen. Außerdem garantiert sie eine immer voraussehbare und sichere Betätigung. Auf jeden Fall ist es ratsam, Kindern zu untersagen, in der Nähe der Automatisierung zu spielen. Um unerwünschte Aktivierungen der Automatisierung zu vermeiden, bewahren Sie die Sender bitte nicht in der Reichweite von Kindern auf (der Sender ist kein Spielzeug!).

- Kontrollieren Sie die Automatisierung bitte oft auf eventuelle Abnutzungserscheinungen, Schäden oder Ungleichgewicht. Die Anwendung sofort unterbrechen, wenn eine Wartung notwendig ist.

- Regelmäßig die korrekte Funktion der Photozellen prüfen und mindestens alle 6 Monate die vorgesehenen Wartungskontrollen ausführen.

- Die Photozellen sind keine Sicherheitsvorrichtungen, sondern nur eine zusätzliche Sicherung. Diese werden mit hoch zuverlässigen Technologien gebaut, können aber in extremen Situationen Störungen erleiden oder sogar kaputt gehen. **Achtung!** – In manchen Fällen könnte die Störung nicht sofort erkannt werden.

Es ist absolut verboten, durch das Tor zu gehen, während es in Bewegung ist!

- Sobald Sie ein unnormales Verhalten der Automatisierung bemerken, trennen Sie die Anlage bitte zur Sicherheit von der Stromspeisung. Nicht alleine Reparaturversuche vornehmen, sondern den Eingriff Ihres Vertrauens-technikers anfordern. In der Zwischenzeit kann die Anlage von Hand geöffnet und geschlossen werden, indem die Antriebe wie in diesem Handbuch beschrieben von Hand entriegelt werden.

- Nach einem Stromausfall wird die erste Bewegung der Automatisierung bei reduzierter Geschwindigkeit unabhängig von der eingestellten Geschwindigkeitsart vorgenommen.

- Die Anlage und die Programmierungsparameter sowie die Einstellung der Automatisierung nicht ändern, auch wenn Sie denken, dass Sie das können: Die Verantwortung liegt beim Installateur der Automatisierung.

- Die Abnahme, die regelmäßigen Wartungen sowie eventuelle Reparaturen müssen von der diese Arbeiten ausführenden Person dokumentiert und die diesbezüglichen Unterlagen vom Besitzer der Anlage aufbewahrt werden.

- Am Ende der Lebensdauer der Automatisierung sicherstellen, dass die Ausrüstung durch qualifiziertes Personal ausgeführt und das Material gemäß den örtlichen geltenden Vorschriften recycelt oder entsorgt wird.

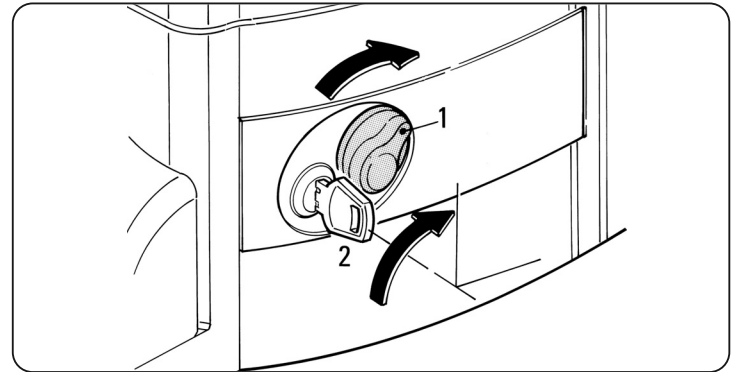
## DEN ANTRIEB VON HAND SPERREN ODER ENTRIEGELN

Der Antrieb ist mit einem mechanischen System ausgestattet, der das Öffnen und Schließen des Tors von Hand ermöglicht.

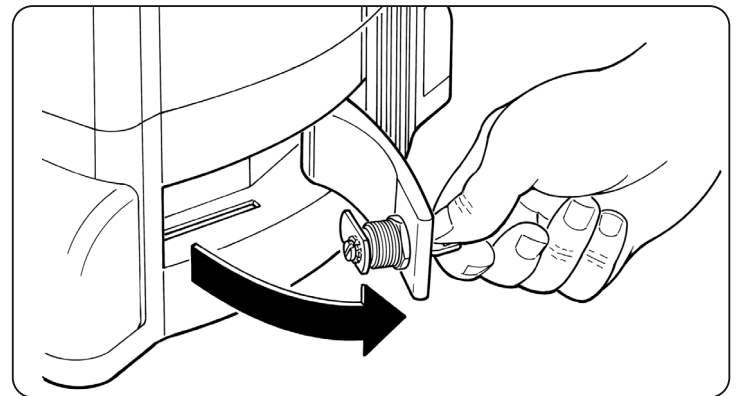
Diese manuellen Vorgänge müssen im Falle eines Stromausfalls oder bei Betriebsstörungen ausgeführt werden. In diesem Fall kann die Anwendung des Entriegelungsmechanismus nützlich sein, um zu prüfen, ob die Störung vom Mechanismus selbst abhängt (zum Beispiel könnte er falsch angezogen sein).

Um den Antrieb von Hand zu entriegeln muss der mitgelieferte Entriegelungsschlüssel wie folgt verwendet werden:

01. Die Schlossabdeckung drehen.
02. Den Schlüssel in den Entriegelungszapfen einstecken;
03. Den Schlüssel im Uhrzeigersinn um 90° drehen, den Griff zu sich ziehen;



04. Nun ist es möglich, den Torflügel von Hand in die gewünschte Position zu bewegen;



05. Zur Wiederherstellung der Funktion der Automatisierung, den Griff wieder schließen, den entsprechenden Schlüssel im Entriegelungszapfen gegen den Uhrzeigersinn drehen und den Flügel von Hand bewegen, bis das mechanische Einhakgeräusch des Flügels im Zugmechanismus gehört werden kann.

06. Abschließend den Schlüssel aus dem Entriegelungszapfen ziehen und aufbewahren.





## 1 OGÓLNE INSTRUKCJE I ZALECENIA DOTYCZĄCE BEZPIECZEŃSTWA

### PRACUJĄC ZACHOWAJ ZASADY BEZPIECZEŃSTWA!

• **UWAGA! - Ważne informacje: przechowywać tę instrukcję w celu ułatwienia ewentualnych przyszłych operacji konserwacji i utylizacji urządzenia.**

• **UWAGA! - Wszystkie operacje instalacji, podłączania, programowania i konserwacji urządzenia muszą być wykonywane wyłącznie przez wykwalifikowanego technika!**

Uwzględniając zagrożenia, jakie mogą wystąpić podczas instalowania i użytkowania urządzenia, aby zagwarantować pełne bezpieczeństwo a wykonana instalacja musi odpowiadać przepisom, normom i uregulowaniom prawnym. W tym rozdziale są podane wszystkie ogólne zalecenia, natomiast inne ważne zalecenia są zamieszczone w rozdziałach "3 – Instalacja" i "7 - Próby odbiorcze i przekazanie do eksploatacji".

**Według najnowszych, obowiązujących przepisów europejskich, zautomatyzowanie drzwi lub bramy musi być zgodne z Dyrektywą 98/37/CE (Dyrektywa Maszynowa), a w szczególności musi odpowiadać następującym normom: EN 13241-1 (norma zharmonizowana); EN 12445; EN 12453 oraz EN 12635, które umożliwiają wykonanie deklaracji zgodności z Dyrektywą Maszynową.**

Dodatkowe informacje, wytyczne umożliwiające analizę zagrożeń i realizację Książki Technicznej, są dostępne na stronie internetowej [www.niceforyou.com](http://www.niceforyou.com). Niniejsza instrukcja obsługi przeznaczona jest wyłącznie dla wykwalifikowanego personelu technicznego zajmującego się instalacją, za wyjątkiem oddzielnej "Instrukcji obsługi", która dotyczy użytkownika. Żadna inna informacja zawarta w tej dokumentacji nie może być uwzględniana, jako informacja dotycząca użytkownika!

• Używanie urządzenia do celów odmiennych od opisanego w tej instrukcji jest zabronione; niewłaściwe zastosowanie może być przyczyną zagrożenia lub szkód wyrządzonych ludziom lub obiektom.

• Przed rozpoczęciem instalowania urządzenia należy wykonać analizę zagrożenia, która obejmuje wykaz podstawowych warunków bezpieczeństwa, przewidzianych w załączniku I Dyrektywy Maszynowej i wskazuje odpowiednie rozwiązania, które należy zastosować.

Przypomina się, że analiza zagrożeń jest jednym z dokumentów składowych "Książki Technicznej" automatyki.

• Sprawdzić konieczność zamontowania dodatkowych urządzeń uzupełniających automatykę, w zależności od konkretnego zastosowania oraz od występujących zagrożeń; muszą zostać uwzględnione na przykład zagrożenia uderzeniem, zgnieceniem, przecięciem, pociągnięciem, itp., oraz inne niebezpieczeństwa.

• Nie modyfikować żadnej części urządzenia, jeśli modyfikacje nie są przewidziane w tej instrukcji; operacje tego typu mogą jedynie spowodować nieprawidłowe funkcjonowanie urządzenia; firma NICE nie ponosi odpowiedzialności za szkody spowodowane przez używanie urządzeń modyfikowanych.

• Podczas instalowania i użytkowania urządzenia należy zwracać uwagę, aby do wnętrza centrali i innych nieosłoniętych urządzeń nie dostały się elementy stałe lub płyny; ewentualnie należy zwrócić się wtedy do serwisu technicznego NICE. Użytkowanie urządzenia w takich sytuacjach może powodować niebezpieczne sytuacje.

• Automatyka nie może być używana zanim nie zostanie przekazana do eksploatacji, jak opisano w rozdziale 5 "Próby odbiorcze i przekazanie do eksploatacji".

• Opakowanie siłownika musi zostać zlikwidowane zgodnie z odpowiednimi przepisami lokalnymi.

• W przypadku uszkodzenia, które nie może zostać naprawione według wskazówek zamieszczonych w niniejszej instrukcji, należy skontaktować się z serwisem technicznym firmy NICE.

• W przypadku zadziałania wyłączników automatycznych lub bezpieczników, przed ich przywróceniem do pierwotnej pozycji należy określić i usunąć usterkę.

• Przed otwarciem pokrywy osłaniającej zaciski wewnętrzne należy odłączyć wszystkie obwody zasilające; jeśli urządzenie wyłączające jest niewidoczne z miejsca pracy, należy zawiesić tablicę: "UWAGA KONSERWACJA W TOKU".

Szczególne zalecenia dotyczące przydatności urządzenia do użytku w nawiązaniu do Dyrektywy "Maszynowej" 98/37/WE (ex 89/392/EWG):

• Ten produkt jest wprowadzany na rynek jako "komponent maszyny", został więc skonstruowany do wbudowania do innego urządzenia lub też do zamontowania razem z nim, w celu zrealizowania "maszyny", zgodnie z Dyrektywą Maszynową 98/37/WE, wyłącznie w połączeniu z innymi komponentami i w trybach opisanych w niniejszej instrukcji obsługi. Jak przewidziano w dyrektywie 98/37/WE, ostrzega się, że nie jest dozwolone wprowadzanie urządzenia do eksploatacji, dopóki producent maszyny, w którą zostanie ono wbudowane, nie wykona identyfikacji i deklaracji zgodności z dyrektywą 98/37/WE.

Szczególne zalecenia dotyczące przydatności urządzenia do użytku w nawiązaniu do Dyrektywy "Niskie Napięcie" 2006/95/EWG:

• Urządzenie jest zgodne z wymogami przewidzianymi w Dyrektywie "Niskie Napięcie", jeżeli jest używane w sposób i w warunkach przewidzianych w tej instrukcji obsługi oraz w połączeniu z akcesoriami znajdującymi się w katalogu produktów firmy Nice S.p.a. Wymogi te mogą nie być gwarantowane w przypadku, kiedy produkt nie jest używany w odpowiednich konfiguracjach lub jest używany z innymi produktami nieprzewidzianymi przez NICE; zabrania się używania urządzenia, dopóki osoba, która przeprowadziła instalację nie stwierdzi zgodności z wymogami przewidzianymi w dyrektywie.

Szczególne zalecenia dotyczące przydatności urządzenia do użytku w nawiązaniu do Dyrektywy "Kompatybilność Elektromagnetyczna" 2004/108/EWG:

• Ten produkt został poddany próbom dotyczącym kompatybilności elektromagnetycznej w najbardziej krytycznych warunkach zastosowania, w konfiguracjach przewidzianych w tej instrukcji obsługi oraz w połączeniu z akcesoriami znajdującymi się w katalogu produktów Nice S.p.a. Kompatybilność elektromagnetyczna może nie być gwarantowana w przypadku, kiedy produkt jest używany w konfiguracjach lub z innymi produktami nieprzewidzianymi przez NICE; zabrania się używania urządzenia, dopóki osoba, która przeprowadziła instalację nie stwierdzi zgodności z wymogami przewidzianymi w dyrektywie.

## 2 OPIS URZĄDZENIA I JEGO PRZEZNACZENIE

TH1500 jest przeznaczony do zautomatyzowania bram przesuwanych przeznaczonych do użytku prywatnego. **Każde inne zastosowanie, odmiennie od opisanego oraz zastosowanie w warunkach środowiskowych odmiennych od podanych w tej instrukcji jest niewłaściwe i zabronione!**

Motoreduktor składa się z silnika na prąd przemienny 230 V, koła zębatego i centrali sterującej.

Centrala zasilasz wszystkie urządzenia znajdujące się w instalacji, zarządzając ich operatywnością. Składa się z płyty elektronicznej i wbudowanego multikodowego odbiornika radiowego, który odbiera polecenia wysyłane z nadajnika. Dzięki dostępnym różnym funkcjom jest możliwe spersonalizowanie obsługi automatyki.

Automatyka umożliwia zainstalowanie różnych soriów, które zwiększają jej funkcjonalność i gwarantują bezpieczeństwo.

Urządzenie funkcjonuje za pośrednictwem zasilania elektrycznego sieci i w przypadku przerwy w dostarczaniu energii elektrycznej (*black-out*) istnieje możliwość odblokowania motoreduktora w trybie ręcznym, umożliwiając 'ręczne' przesunięcie bramy.

## 3 INSTALACJA

### 3.1 - Weryfikacja wstępna do wykonania podczas instalacji

Przed przystąpieniem do instalacji urządzenia należy sprawdzić stan jego komponentów, sprawdzić czy wybrany model jest odpowiedni do danej bramy, jak również czy warunki otoczenia przeznaczonego do jego instalacji są odpowiednie.

**WAŻNE – Motoreduktor nie może automatyzować bramy ręcznej, której struktura mechaniczna nie jest odpowiednio trwała i bezpieczna. Ponadto nie może rozwiązywać problemów spowodowanych przez nieprawidłową instalację lub złą konserwację samej bramy.**

### 3.2 - Sprawdzenie warunków otoczenia i bramy, która ma zostać zautomatyzowana

• Upewnij się, czy konstrukcja mechaniczna bramy nadaje się do automatyzacji i odpowiada lokalnym normom (*ewentualnie sprawdź dane znajdu-*

jące się na etykiecie bramy, o ile posiada ona taką informację).

- Upewnij się, czy ciężar i wymiary skrzydła bramy wchodzą w zakres ograniczeń zastosowania, zamieszczonych w paragrafie 3.3 "Ograniczenia zastosowania".

- Upewnij się, nawiązując do wartości podanych w rozdziale "Parametry techniczne urządzenia", czy:

- siła niezbędna do przesunięcia skrzydła bramy jest mniejsza od połowy siły odpowiadającej "maksymalnemu momentowi obrotowemu";

- siła niezbędna do utrzymania skrzydła bramy w ruchu jest mniejsza od połowy wartości siły odpowiadającej "nominalnemu momentowi obrotowemu"; *Uwaga – Aby ustawić wartość siły, zaleca się wykorzystanie marginesu 50%, ponieważ niesprzyjające warunki klimatyczne mogą zwiększyć tarcie w czasie eksploatacji bramy.*

- Przesuwając ręcznie skrzydło bramy podczas *Otwierania* i *Zamykania* należy sprawdzić, czy ruch następuje z jednakowym tarcie, takim samym w każdym punkcie suwu (*nie mogą występować momenty większego obciążenia*).

- Upewnij się, czy skrzydło bramy zachowuje równowagę, to znaczy, czy nie przesuwają się, jeżeli zostanie doprowadzone w trybie ręcznym do jakiegokolwiek położenia i następnie zostanie pozostawione w tej pozycji.

- Upewnij się, czy nie występuje niebezpieczeństwo wysunięcia skrzydła bramy z prowadnic.

- Upewnij się, czy strefa mocowania motoreduktora nie jest narażona na zalanie; ewentualnie zainstaluj motoreduktor w pozycji uniesionej nad ziemią.

- Sprawdź, czy wokół motoreduktora znajduje się miejsce wystarczające do wykonania manewru odblokowania w trybie ręcznym.

- Upewnij się, czy obszary z niebezpieczeństwem zgniecenia znajdujące się pomiędzy bramą i stałymi jej elementami są zabezpieczone podczas wykonywania manewrów *Otwierania* i *Zamykania*.

- Upewnij się, czy powierzchnie wybrane do instalacji różnych urządzeń są trwałe i czy mogą zagwarantować stabilne przymocowanie. W szczególności należy upewnić się, czy powierzchnie wybrane do przymocowania fotokomórek są odpowiednio płaskie i umożliwiają prawidłowe ich ustawienie w linii.

- Upewnij się, czy każde urządzenie przeznaczone do instalacji zostało umieszczone w położeniu zabezpieczonym przed przypadkowymi uderzeniami.

- Upewnij się, czy zakres temperatur funkcjonowania, podany na etykiecie urządzenia, jest zgodny z parametrami klimatycznymi miejsca, w którym zostanie ono zainstalowane.

- Jeżeli w skrzydle bramy są wbudowane drzwi przejściowe lub jeżeli znajdują się one w obszarze ruchu skrzydła, należy upewnić się, że nie utrudniają zwykłego suwu skrzydła; jeżeli to konieczne należy zainstalować odpowiedni system blokujący.

- Podłączyć centralę do linii zasilania elektrycznego wyposażonej w uziemienie.

- Przewidzieć wbudowanie na linii zasilającej automat, prowadzącej z sieci elektrycznej, urządzenia rozłączającego zasilanie i gwarantującego odległość pomiędzy stykami, umożliwiającą całkowite rozłączenie w warunkach III kategorii przepięcia. Jeżeli urządzenie rozłączające zasilanie nie znajduje się w pobliżu automatu, należy przygotować system blokujący, zabezpieczający przed podłączeniem przypadkowym lub nieautoryzowanym.

### 3.3 - Ograniczenia zastosowania urządzenia

Aby ustalić przydatność urządzenia w stosunku do właściwości Waszej bramy oraz do specyficznego sposobu użytkowania, należy wykonać kontrole opisane w dalszej części instrukcji, należy również sprawdzić ich zgodność zarówno z danymi zawartymi w tym paragrafie, jak również z danymi technicznym z rozdziału "**Parametry techniczne urządzenia**".

- Upewnij się, czy wymiary i ciężar skrzydła bramy spełniają następujące ograniczenia:

**maksymalna długość 14 m**

**maksymalna waga 1500 kg**

- Sprawdź wymiary gabarytowe całego motoreduktora nawiązując do **rys. 1**. *Uwaga – Te wymiary służą również jako odniesienie umożliwiające określenie miejsca, które zajmie wykop fundamentowy oraz ułożenia osłony kabli elektrycznych.*

- Upewnij się, czy w strefie wybranej do zamocowania motoreduktora znajduje się przestrzeń wystarczająca do jego umieszczenia.

- Sprawdź na skrzydle bramy, czy powierzchnia dla mocowania listwy zębatej jest odpowiednio trwała.

**Uwaga! – Jeżeli wynik tych kontroli nie jest zgodny z zaleceniami zawartymi w tej instrukcji, ten model urządzenia nie może być użyty do zautomatyzowania Waszej bramy.**

### 3.4 - Wstępne prace przygotowawcze

Na **rys. 2** przedstawiona jest przykładowa instalacja automatyki, wykonana

na zastosowaniem komponentów firmy **Nice**. Są one rozmieszczone zgodnie z typowym i powszechnie stosowanym schematem.

Nawiązując do **rys. 2**, należy ustalić przybliżone położenie, w którym zostanie zainstalowane każde urządzenie przewidziane w instalacji.

**Zalecenie** – Przymocowane na stałe urządzenia sterujące muszą być umieszczone w widocznym miejscu bramy, z dala od ruchomych jej części.

Motoreduktor jest ustawiany w fabryce i jest przeznaczony do instalowania po prawej stronie bramy. **UWAGA! – Jeżeli istnieje konieczność zainstalowania motoreduktora po lewej stronie bramy, należy odwołać się do instrukcji zamieszczonych w rozdziale 4 (paragraf 4.1 - punkt 07).**

#### Komponenty przydatne do realizacji kompletnej instalacji (rys. 2):

1 - motoreduktor elektromechaniczny

2 - dwie fotokomórki

3 - przełącznik kluczowy lub klawiatura cyfrowa

4 - sygnalizator migający z wbudowaną anteną

5 - uchwyty ogranicznika

6 - listwa zębata

7 - słupki dla fotokomórek

Przed rozpoczęciem instalacji urządzenia należy upewnić się, że dysponuje się wszystkimi narzędziami i materiałami niezbędnymi do wykonania operacji. Ponadto należy sprawdzić, czy są one w dobrym stanie oraz czy są zgodne z zaleceniami obowiązujących przepisów lokalnych, które dotyczą bezpieczeństwa.

Wykuć bruzdy umożliwiające ułożenie osłon przewodów lub ułożyć osłony zewnętrzne; następnie przymocować do betonu osłony przewodów i wszystkie inne przygotowane elementy, umożliwiające kolejne operacje instalacyjne.

**W szczególności, aby wykonać wykop umożliwiający zakotwiczenie motoreduktora do podłoża należy postępować w następujący sposób:**

**01.** Wykonać wykop fundamentowy w miejscu, gdzie zostanie przymocowany motoreduktor. **Uwaga – Wymiary wykopu muszą być takie same lub większe od wymiarów płyty fundamentowej.**

**02.** Przygotować osłony umożliwiające przeprowadzenie przewodów elektrycznych.

**UWAGA! – Zwykle umieszcza się wyloty osłon przewodów w pobliżu punktów, w których zostało przewidziane przymocowanie różnych urządzeń.**

**Uwaga: Celem osłon jest zabezpieczenie przewodów elektrycznych i uniknięcie przypadkowych uszkodzeń, na przykład w przypadku uderzeń.**

Aby przygotować przewody elektryczne, niezbędne dla Waszej instalacji, należy odwołać się do **rys. 10-10a** oraz do "**Tabeli 1 - Parametry techniczne przewodów elektrycznych**".

**Tabela 1: Parametry techniczne kabli elektrycznych**

Podłączenie	Rodzaj przewodu	Maksymalna dozwolonadługość
<b>A:</b> Przewód ZASILANIE	przewód 3 x 1,5 mm <sup>2</sup>	30 m (uwaga 1)
<b>B:</b> Przewód LAMPA OSTRZEGAWCZA Z ANTENĄ	przewód 2 x 0,5 mm <sup>2</sup> przewód ekranowany typu RG58	30 m 20 m (zalecany krótszy od 5m)
<b>C:</b> Kabel FOTOKOMÓRKI	przewód 2 x 0,5 mm <sup>2</sup> (TX) przewód 4 x 0,25 mm <sup>2</sup> (RX)	30 m 30 m
<b>D:</b> Przewód PRZEŁĄCZNIK KLUCZOWY lub KLAWIATURA CYFROWA	przewody 4 x 0,25 mm <sup>2</sup>	30 m

**OGÓLNA UWAGA:** przewody niezbędne do wykonania instalacji (nie znajdując się w opakowaniu) mogą zmieniać się w zależności od ilości i rodzaju komponentów przewidzianych w instalacji.

**Uwaga 1:** jeżeli niezbędny jest przewód o większej długości można wykonać przewód o średnicy 3 x 2,5 mm<sup>2</sup>; w tym przypadku należy wykonać dodatkowe uziemienie zabezpieczające w pobliżu automatu.

**UWAGA! – Używane przewody muszą być odpowiednie dla rodzaju otoczenia, w którym zostaną zainstalowane; na przykład wewnątrz budynków zaleca się stosować przewód typu H03VV-F, natomiast na zewnątrz zaleca się przewód typu H07RN-F.**

### 3.5 - Instalowanie komponentów automatyki

#### ZALECENIA

- Nieprawidłowo wykonana instalacja może być przyczyną poważnych zagrożeń dla osoby wykonującej operację oraz tych, które będą używać urządzenia.

- Przed rozpoczęciem montażu automatu należy wykonać kontrole wstępne, opisane w paragrafach "3.2 - Sprawdzenie warunków otoczenia i bramy, która ma zostać zautomatyzowana" oraz "3.3 – Ogra-

niczenia zastosowania urządzenia”.

- Przewidzieć odpowiednią ilość osłon umożliwiających ułożenie przewodów elektrycznych.

### **Przymocowanie płyty fundamentowej**

01. Dokręcić ręcznie do końca gwintu 1 niską nakrętkę M 12 na każdej z 4 śrub fundamentowych znajdujących się na wyposażeniu.
02. Włożyć cztery śruby fundamentowe do płyty fundamentowej (rys. 3);
03. Przewidzieć jedną lub kilka rur osłonowych umożliwiających przeprowadzenie kabli elektrycznych;
04. Włożyć płytę do betonu zwracając uwagę, aby była dokładnie wypoziomowana.

Bardzo ważne jest zachowanie odległości płyty fundamentowej od listwy zębatej, (należy więc wcześniej upewnić się, czy zostanie ona przyspawana do bramy czy też przykręcona z zastosowaniem śrub i elementów dystansowych), w taki sposób, aby móc wykorzystać szczeliny w korpusie motoreduktora (rys. 4).

### **Instalowanie motoreduktora**

01. Zdjąć pokrywę motoreduktora wykręcając wkrętakiem wkręty znajdujące się po bokach (rys. 5). **Uwaga** – Zaleca się pozostawienie motoreduktora bez pokrywy, dopóki nie zostaną zakończone fazy instalacji i programowania.
02. Wyjąć dwa skrzydełka osłaniające śrubę ciągnąc je do góry (rys. 6);
03. Umieścić TH1500 na wstępnie wmurowanej płycie fundamentowej;
04. Dokręcić 4 niskie nakrętki, jeśli zamierza się wyregulować wysokość motoreduktora (max 10 mm), w przeciwnym przypadku nie używać ich (rys. 7);
05. Włożyć 4 podkładki;
06. Energicznie zablokować nakrętki M 12 oraz ewentualne przeciwnakrętki kluczem 19 mm;
07. Założyć dwa skrzydełka osłaniające śrubę naciskając je od góry do dołu;
08. Odblokować motoreduktor specjalnym kluczem (odwołać się do paragrafu “Zablokowanie i Odblokowanie motoreduktora w trybie ręcznym” w “Instrukcji obsługi”).
09. Doprowadzić ręcznie skrzydło bramy do położenia maksymalnego Otwarcia i następnie ustawić poziomo (z wykorzystaniem poziomicy) pierwszy odcinek listwy zębatej nad kołem zębatym motoreduktora. **Ważne:** - Całkowita długość listwy zębatej musi być taka sama jak długość skrzydła Waszej bramy; - luz mierzony w pionie, pomiędzy kołem zębatym a listwą zębatą **musi wynosić około 1-2 mm**, aby zapobiec obciążeniu motoreduktora ciężarem skrzydła bramy. Należy go też **zawsze** kontrolować podczas przeglądów okresowych.
10. Teraz należy przymocować listwę zębatą do skrzydła bramy (odwołać się do instrukcji montażu listwy zębatej).
11. Przesunąć ręcznie skrzydło bramy, aby przymocować do niego kolejne segmenty listwy zębatej: wykorzystać jako punkt odniesienia koło zębate i koniec ostatniej zamocowanej listwy, z którym nowy odcinek ma być perfekcyjnie zgrany. **Uwaga** – Aby prowizorycznie przymocować części listwy zębatej do skrzydła bramy można wykorzystać imadła, jak pokazano na rys. 8.  
**Uwaga** – W przypadku, kiedy regulacja dozwolona przez listwę zębatą nie jest wystarczająca, istnieje możliwość wyregulowania wysokości motoreduktora za pomocą 2 śrub imbusowych.
12. Listwa zębata nie może wystawać poza obrys skrzydła bramy, należy więc odciąć wystającą część listwy.
13. Wykonać w trybie ręcznym kilka razy Otwieranie i Zamykanie skrzydła bramy, aby sprawdzić w ten sposób, czy listwa zębata przesuwana się prawidłowo na całej długości. Ponadto należy sprawdzić, czy luz pionowy pomiędzy kołem zębatym a listwą zębatą wynosi 1-2 mm.
14. Ustawić w przybliżeniu dwa ograniczniki na listwie zębatej (rys. 9) i regulując ręcznie bramę przykręcić je.
15. Przymocować ograniczniki postępując w następujący sposób:
  - a) doprowadzić ręcznie skrzydło bramy do położenia Otwarcia, pozostawiając odległość co najmniej 5 cm od zderzaka mechanicznego.
  - b) przesunąć ogranicznik na listwie zębatej w kierunku Otwarcia, aż do zadziałania mikrowyłącznika. Następnie przesunąć jeszcze w kierunku Otwarcia uchwyt na co najmniej 2 cm i zablokować na listwie zębatej śrubami znajdującymi się w wyposażeniu.
  - c) wykonać tę samą operację, aby przymocować ogranicznik Zamykania.
16. Zablokować motoreduktor specjalnym kluczem (odwołać się do rozdziału “Zablokowanie i Odblokowanie motoreduktora w trybie ręcznym”).

## 4 PODŁĄCZENIA ELEKTRYCZNE

Po zainstalowaniu motoreduktora i urządzeń sterujących (przełącznik kluczowy lub klawiatury kodowe) oraz urządzeń zabezpieczających (wyłącznik awaryjny, fotokomórki, listwy krawędziowe, lampa ostrzegawcza) należy wykonać podłączenia elektryczne, odwołując się do kolejnych paragrafów i na przykład do rys. 10-10a.

W centrali sterującej znajduje się kilka funkcji, które mogą być wybierane przy pomocy przełączników typu Dip-Switch (mini przełączniki) oraz przy pomocy regulacji wykonywanych przez Trymery (rys. 11).

Diody wejść (rys. 11) sygnalizują stan funkcjonowania komponentów automatu; natomiast dioda “OK” (rys. 11) sygnalizuje prawidłowe funkcjonowanie centrali. Ponadto w centrali wbudowany jest multikodowy odbiornik radiowy.

### **Komponenty centrali (rys. 11):**

- a - Zaciski do podłączenia anteny
- b - Przełączniki Dip-Switch umożliwiające wybór funkcji
- c - Przycisk Radio
- d - Trymer do regulacji Czasu Pracy (TL)
- e - Trymer do regulacji Czasu Przerwy (TP)
- f - Zespół zacisków Wejścia / Wyjścia sterujące
- g - Podłączenie ograniczników
- h - Zaciski do podłączenia lampy ostrzegawczej / światła nocnego
- i - Podłączenie kondensatora
- l - Podłączenie zasilania silnika
- m - Zaciski do podłączenia zasilania
- n - Dioda sygnalizująca RADIO
- o - Bezpiecznik niskiego napięcia (315 mA F)
- p - Trymer regulacji Siły (F)
- q - Dioda “OK”
- r - Transformator
- s - Bezpiecznik linii zasilania (5A F)

### **UWAGA!**

- Aby uniknąć niebezpiecznych sytuacji podczas wykonywania operacji podłączania, centrala sterująca nie może być zasilana.
- Nieprawidłowo wykonane podłączenie może powodować uszkodzenia lub sytuacje niebezpieczne; należy więc skrupulatnie przestrzegać zalecanych podłączeń.
- Istnieją sprecyzowane przepisy, dotyczące zarówno bezpieczeństwa instalacji elektrycznych jak i bram automatycznych, których należy ściśle przestrzegać.

Aby wykonać podłączenia elektryczne należy zdjąć pokrywę centrali sterującej, jak pokazano na rys.12 i kontynuować stosując się do rys. 11 oraz do paragrafu “Opis połączeń elektrycznych”. Teraz przymocować przewód zasilający z zastosowaniem specjalnej dławicy kablowej (rys. 13).

Aby zagwarantować bezpieczeństwo elektryczne i prawidłowe funkcjonowanie automatu należy podłączyć uziemienie do zacisku przedstawionego na rys. 11.

### **Opis połączeń elektrycznych**

W dalszej części instrukcji opisane są możliwe połączenia centrali sterującej z urządzeniami sterującymi i zabezpieczającymi:

Zaciski	Funkcja	Opis
1 - 2 - 3	Zasilanie	Zasilanie sieciowe
4 - 5	Lampa ostrzegawcza	Wyjście umożliwiające podłączenie lampy ostrzegawczej do napięcia z sieci (Max. 40 W)
8 - 9	24 Vpp	Zasilanie urządzeń 24 Vpp +/- 25% (Max. 200 mA)
9	Wspólne	Wspólne dla wszystkich wejść
10	Stop	Wejście z funkcją “Stop” (Stop i krótkie cofnięcie bramy) – Normalnie Zwarte
11	Foto	Wejście dla urządzeń zabezpieczających – Normalnie Zwarte
12	Krok-Po-Kroku	Wejście dla sterowania sekwencyjnego (PP) (“Otwarcie” – “Stop” – “Zamknięcie” – “Stop”)
1	Antena +	Wejście dla anteny odbiornika radiowego
	2	

### **Zalecenia:**

- W przypadku, kiedy wejścia dla styków typu NZ (Normalnie Zwarte) nie są używane muszą być “mostkowane” do 9 (Wspólne), a w przypadku podłączenia do danego wejścia kilku styków należy połączyć je SZEREGOWO;
- W przypadku, kiedy wejścia dla styków typu NO (Normalnie Otwarty) nie są używane muszą być wolne, w przypadku podłączenia tam kilku styków

należy połączyć je RÓWNOLEGLE;

– Styki muszą być typu mechanicznego i muszą być pozbawione jakiegokolwiek potencjału; nie są dozwolone podłączenia typu "PNP", "NPN", "Open Collector" itp.

#### 4.1 - Pierwsze włączenie i kontrola połączeń

**UWAGA!** – Wszelkie następne operacje opisane w tej instrukcji zostaną wykonane na obwodach elektrycznych pod napięciem i manewry mogą być niebezpieczne! Należy więc zachować ostrożność.

01. Podłączyć zasilanie do centrali sterującej i sprawdzić, czy między zaciskami 8-9 występuje około 24 Vpp.
02. Sprawdzić, czy dioda "OK" po wykonaniu kilku szybkich błysków miga miarowo.
03. Teraz należy sprawdzić, czy diody dotyczące wejść dla styków NZ świecą się (= wszystkie zabezpieczenia aktywne) oraz czy diody dotyczące wejść NO nie świecą się (= brak poleceń).  
Jeżeli to nie nastąpi należy sprawdzić wszystkie połączenia i funkcjonowanie dołączonych urządzeń. Wejście "Stop" zadziała dezaktywując zarówno ogranicznik krańcowy Otwierania (FCA) jak i ogranicznik Zamykania (FCC).
04. Sprawdzić podłączenie ograniczników: przesunąć sprężynę ograniczników i sprawdzić, czy odnośny ogranicznik zadziała powodując zgąśnienie odpowiedniej diody w centrali.
05. Odblokować motoreduktor i doprowadzić skrzydło bramy do połowy skoku, następnie zablokować motoreduktor. W ten sposób skrzydło bramy może wykonać zarówno operację Otwierania jak i Zamykania.
06. Sprawdzić, czy ruch skrzydła bramy następuje w kierunku prawidłowym w stosunku do kierunku sygnalizowanego przez centralę. **Ważne** – Wykonanie tej kontroli jest obowiązkowe. Jeżeli kierunek skrzydła jest nieprawidłowy w stosunku do kierunku sygnalizowanego przez centralę, automatyka może pozornie funkcjonować prawidłowo (cykl "Otwieranie" jest podobny do cyklu "Zamykanie") ale w rzeczywistości urządzenia zabezpieczające mogą zostać pominięte podczas wykonywania manewru Zamykanie. W tym przypadku urządzenia zabezpieczające zadziałałyby tylko podczas manewru Otwieranie, powodując w ten sposób ponowne zamknięcie bramy w kierunku przeszkody z katastrofalnymi skutkami!
07. Sprawdzić, czy kierunek obrotu silnika jest prawidłowy: Odłączyć na 10 sekund zasilanie centrali i podłączyć ponownie. Wysłać krótki impuls do wejścia PP, centrala jako pierwszy manewr wykona zawsze Otwieranie; następnie wystarczy sprawdzić, czy silnik przesuwa się również w kierunku Otwierania.  
Jeżeli to nie nastąpi należy postępować w następujący sposób:  
a) odłączyć zasilanie od centrali sterującej;  
b) obrócić o 180° wtyczkę zasilającą silnik (I - rys. 11) i oraz wtyczkę ograniczników (g - rys 11);  
c) teraz podłączyć zasilanie do centrali i powtórzyć kontrolę od punktu 07.

Dioda "OK", znajdująca się w centrali (rys. 11), służy do sygnalizowania stanu funkcjonowania centrali:

- pojedyncze regularne błyski z częstością raz na sekundę = sygnalizują, że mikroprocesor centrali jest aktywny i gotowy do odbioru poleceń.
- 1 podwójne szybkie mignięcie = sygnalizuje, że mikroprocesor wykrywa zmianę stanu wejścia (zarówno wejścia sterującego jak i przełącznika funkcji typu Dip-Switch); nastąpi to nawet w przypadku, kiedy wykryta zmiana nie powoduje natychmiastowego skutku.
- 1 bardzo szybka seria błysków trwająca 3 sekundy = sygnalizuje, że centrala została właśnie zasilona oraz że wykonywany jest test, umożliwiający weryfikację stanu funkcjonowania.
- pojedyncze, regularne błyski = sygnalizują, że podczas testu weryfikacyjnego został uzyskany wynik negatywny i w związku z tym urządzenie jest uszkodzone.

## 5 REGULACJE PARAMETRÓW

Regulacja parametrów funkcjonowania centrali sterującej jest możliwa dzięki znajdującym się w niej "Trymerom" (rys. 11).

• **Czas Pracy (TL)**: w "Półautomatycznym" trybie funkcjonowania ten parametr reguluje maksymalny czas trwania manewru *Otwieranie* lub *Zamykanie*. Aby ustawić ten parametr należy postępować w następujący sposób: **a)** ustawić "Półautomatyczny" tryb funkcjonowania poprzez ustawienie przełącznika *Dip-Switch 1* na "ON"; **b)** ustawić "Trymer TL" w połowie zakresu; **c)** wykonać kompletny cykl *Otwierania* i *Zamykania* bramy i następnie sprawdzić, czy maksymalny ustawiony czas trwania manewru *Otwierania* lub *Zamykania* jest wystarczający i czy pozostaną co najmniej dodatkowe 2 lub 3 sekundy; jeżeli to konieczne należy przeregulować "Trymer TL" ustawiając nową wartość maksymalną. W przypadku, kiedy ten czas nie jest jeszcze wystarczający należy przeciąć mostek TLM, zamontowany w pobliżu Trymera TL (rys. 11), w taki sposób, aby uzyskać "Wydłużony Czas Pracy" (TLM).

Jeżeli zamierza się wykorzystać funkcję zwalniania należy włączyć ją odpowiednim przełącznikiem oraz wyregulować Trymer w taki sposób, aby faza zwalniania rozpoczęła się w odległości 50-70 cm przed zadziałaniem ograniczników.

Ewentualna modyfikacja tego parametru będzie widoczna podczas wykonywania pierwszego manewru *Otwierania*, sterowanego po wykonaniu modyfikacji.

• **Czas przerwy (TP)** w "Automatycznym" trybie funkcjonowania ten parametr reguluje czas, który upływa pomiędzy zakończeniem manewru *Otwierania* i początkiem manewru *Zamykania*. Aby ustawić ten parametr należy postępować w następujący sposób: **a)** ustawić "Automatyczny" tryb funkcjonowania przełączając przełącznik *Dip-Switch 2* na "ON"; **b)** wyregulować "Trymer TP" w zależności od potrzeb; **c)** aby sprawdzić, czy ustawiony czas jest prawidłowy należy wykonać kompletny manewr *Otwierania* i sprawdzić czas, który upłynie do rozpoczęcia manewru *Zamykania*.

• **Siła (F)**: **Uwaga** – Regulacja tego parametru może w znaczący sposób wpływać na stopień bezpieczeństwa automatyki, należy więc zachować szczególną ostrożność podczas wykonywania tej operacji.

Aby ustawić ten parametr należy wykonać kilka prób funkcjonowania: zmierzyć siłę przyłożoną do skrzydła bramy podczas wykonywania manewru i porównać ją z wartościami, przewidzianymi przez przepisy obowiązujące na danym terytorium.

#### Tryb funkcjonowania

**Krok Po Kroku (PP)**: ten rodzaj funkcjonowania, **używany w trybie ręcznym (w obecności użytkownika)**, umożliwia uaktywnienie na przemian manewru *Otwierania* i *Zamykania*. Manewr zostanie zatrzymany natychmiast, kiedy przerwiemy polecenie.

Manewr zostanie zatrzymany, zarówno podczas *Otwierania* jak i *Zamykania* bramy, oczywiście również w przypadku zadziałania ograniczników; ponadto przesuwanie bramy zostanie również zatrzymane podczas manewru *Zamykania*, jeżeli zabraknie zezwolenia z urządzeń zabezpieczających "Foto". Jeżeli natomiast zadziała "Stop", zarówno podczas *Otwierania* jak i *Zamykania* manewr zostanie natychmiast zatrzymany i nastąpi uaktywnienie krótkiego cofnięcia bramy.

W przypadku, kiedy manewr zostanie zatrzymany, przed wysłaniem nowego polecenia należy najpierw zakończyć wysyłanie poprzedniego polecenia – "zdjąć" sygnał sterujący z wejścia.

Jeżeli natomiast używamy trybu "Krok Po Kroku" w jednym z **trybów automatycznych** ("Półautomatyczny", "Automatyczny" lub "Zamknij Zawse"), wysłanie polecenia powoduje uaktywnienie na przemian manewru *Otwierania* i *Zamykania*, ponowne wysłanie polecenia w trakcie ruchu uaktywnia "Stop". Jeżeli natomiast zadziała wejście "Stop" zarówno podczas *Otwierania* jak i *Zamykania*, manewr zostanie natychmiast zatrzymany i nastąpi uaktywnienie krótkiego cofnięcia bramy.

W przypadku, kiedy używany jest automatyczny tryb funkcjonowania, po wykonaniu manewru *Otwierania* nastąpi przerwa a po jej zakończeniu zostanie wykonany manewr *Zamykania*.

Jeżeli podczas przerwy zadziałają urządzenia zabezpieczające "Foto", regulator czasowy zostanie zresetowany na nowy Czas Przerwy; jeżeli natomiast podczas trwania przerwy zadziała wejście "Stop", funkcja automatycznego zamykania zostanie anulowana i zostanie uaktywniony stan "Stop".

Zadziałanie "Foto" podczas manewru *Otwierania* nie wywiera żadnego skutku; natomiast podczas *Zamykania* powoduje zmianę kierunku manewru, przerwę i następnie Zamknięcie.

#### Funkcje programowane

W centrali sterującej jest zespół mikrowyłączników, umożliwiających uaktywnianie różnych funkcji, które powodują, że automat łatwiej dostosowuje się do potrzeb użytkownika i jego używanie jest bardziej bezpieczne w przypadku występowania różnych warunków użytkowania.

Aby uaktywnić lub dezaktywować poszczególne funkcje należy wykorzystać przełącznik Dip-switch 1- do 10: funkcje są **uaktywniane** po ustawieniu przełącznika na "ON" (do góry) i **wyłączane** po przełączeniu na "OFF" (do dołu).

Niektóre dostępne funkcje są związane z bezpieczeństwem, w związku z tym ważne jest, aby uważnie ocenić, która z funkcji jest bardziej bezpieczna. Przełączniki Dip-Switch umożliwiają wybieranie różnych trybów funkcjonowania i zaprogramowanie wybranych funkcji, opisanych w **Tabeli A**:

**Tabela A**

<b>Switch 1-2:</b>	Off-Off	Ruch "Ręczny" czyli w obecności użytkownika
	On-Off	Ruch "Półautomatyczny"
	Off-On	Ruch "Automatyczny" czyli zamykanie automatyczne
	On-On	Ruch "Automatyczny" + "Zamknij Zawsze"
<b>Switch 3:</b>	On	Funkcjonowanie w zespołach mieszkalnych (nie dostępne w trybie ręcznym)
<b>Switch 4:</b>	On	Wcześniejsze miganie lampy
<b>Switch 5:</b>	On	Zamknij 5 sekund po "Foto" (jeżeli został ustawiony tryb "Automatyczny") lub "Zamknij po Foto", jeżeli został ustawiony tryb "Półautomatyczny"
<b>Switch 6:</b>	On	Urządzenie Zabezpieczające "Foto" aktywne również podczas Otwierania
<b>Switch 7:</b>	On	Start stopniowy
<b>Switch 8:</b>	On	Zwalnianie
<b>Switch 9:</b>	On	Hamulec
<b>Switch 10:</b>	On	Nie używany

### Switch 1-2

W "Ręcznym" trybie funkcjonowania manewr jest wykonywany jedynie, dopóki polecenie jest aktywne (wciśnięty przez użytkownika przycisk nadajnika).

W "Półautomatycznym" trybie funkcjonowania wysłanie krótkiego polecenia powoduje wykonanie kompletnego manewru, aż do upłynięcia "Czasu Pracy" lub do osiągnięcia ogranicznika.

W "Automatycznym" trybie funkcjonowania, po wykonaniu manewru Otwieranie nastąpi przerwa, a po jej zakończeniu zostanie automatycznie wykonany manewr Zamykanie.

Funkcja "Zamknij Zawsze" zadziała w przypadku braku energii elektrycznej; jeżeli po przywróceniu zasilania centrala wykryje skrzydło bramy w położeniu Otwarte, uaktywni automatycznie manewr Zamykania poprzedzony przez trwające 5 sekund miganie lampy ostrzegawczej.

### Switch 3

W przypadku, kiedy w trybie funkcjonowania "W zespołach mieszkalnych" zostanie wysłane polecenie "Krok-Po-Kroku" i rozpocznie się manewr Otwierania, nie może on zostać przerwany przez żadne inne polecenie "Krok-Po-Kroku" lub "Otwarcie" wysłane drogą radiową, aż do zakończenia wykonywanego manewru.

Natomiast podczas wykonywania manewru Zamykanie wysłanie nowego polecenia "Krok-Po-Kroku" powoduje zatrzymanie i zmianę manewru.

### Switch 4

W przypadku, kiedy zostanie wysłane polecenie, zostanie najpierw uaktywniona lampa ostrzegawcza i następnie, po upłynięciu 5 sekund (2 sekundy w przypadku, kiedy ustawiony jest "Ręczny" tryb funkcjonowania) rozpoczyna się manewr.

### Switch 5

Ta funkcja, jeżeli jest ustawiona w "Automatycznym" trybie funkcjonowania, umożliwi utrzymanie otwartego skrzydła bramy tylko na czas, niezbędny do przejazdu pojazdów lub przejścia osób; po zakończeniu działania urządzeń zabezpieczających "Foto", manewr zostanie zatrzymany i po upływie 5 sekund rozpoczyna się automatycznie manewr Zamykania.

Jeżeli natomiast funkcja jest ustawiona w trybie "Półautomatycznym", w przypadku zadziałania urządzeń zabezpieczających "Foto" podczas trwania manewru Zamykanie, po cofnięciu bramy uaktywniane jest automatyczne Zamykanie po zwłoce ustawionej trymerem "Czas Przerwy".

### Switch 6

Normalnie funkcja zabezpieczająca "Foto" jest aktywna tylko dla manewru Zamykania; jeżeli przełącznik Dip-Switch 6 zostanie ustawiony na "ON", zadziałanie urządzenia zabezpieczającego powoduje przerwanie manewru również podczas Otwierania. Jeżeli natomiast został ustawiony "Półautomatyczny" lub "Automatyczny" tryb funkcjonowania, wznowienie manewru Otwierania rozpocznie się po zwolnieniu urządzeń zabezpieczających.

### Switch 7

Po ustawieniu tej funkcji początek manewru następuje stopniowo; w ten sposób można zapobiec niepożądanemu szarpaniu automatu.

### Switch 8

Zwolnienie opiera się na zredukowaniu prędkości do 30% prędkości znamionowej; powoduje ono zredukowanie siły uderzenia skrzydła bramy o ewentualną przeszkodę pod koniec manewru.

W przypadku, kiedy ta funkcja zostanie uaktywniona należy wyregulować "Czas Pracy (TL)", ponieważ faza zwalniania rozpoczyna się po odliczeniu połowy ustawionego czasu pracy. Należy więc wyregulować TL w taki sposób, aby faza zwalniania rozpoczęła się około 50-70 cm przed zadziałaniem ogranicznika.

Funkcja zwalniania, oprócz zmniejszenia prędkości automatu redukuje również o 70% moment obrotowy silnika. **UWAGA** – W automatach, w których wymagana jest duża wartość momentu obrotowego silnika, ta funkcja zwalniania może powodować natychmiastowe zatrzymanie silnika.

### Switch 9

Po ustawieniu tej funkcji, w chwili zatrzymania bramy zostanie wykonana procedura zahamowania silnika; płynnie narasta, umożliwiając szybkie zatrzymanie skrzydła bramy bez szarpania.

### Switch 10

Nie używany.

## 6 PROGRAMOWANIE ODBIORNIKA RADIOWEGO

### • Instalowanie anteny zewnętrznej

Jeżeli antena znajdująca się na wyposażeniu urządzenia jest zamontowana w niesprzyjającym położeniu a sygnał radiowy jest słaby, aby zwiększyć zasięg sterowania zaleca się wymienić antenę na zainstalowaną antenę zewnętrzną (mod. ABF lub ABFKIT). Nową antenę należy umieścić najwyżej jak tylko jest to możliwe, i możliwie oddalić od ewentualnych konstrukcji metalowych lub konstrukcji żelbetowych, znajdujących się w okolicy.

### • Podłączenie do centrali

Aby podłączyć antenę do centrali należy używać kabla koncentrycznego z impedancją 50 (na przykład kabel RG58 o niskich stratach). **Uwaga!** – Aby zredukować dyspersję sygnału należy zastosować najkrótszy możliwie kabel (nie powinien przekraczać 10 m).

### Zalecenia dotyczące programowania

• Operacje programowania opisane w tym rozdziale wymagają wykorzystania przycisku "c" i diody, znajdujących się na odbiorniku "n" (rys. 11). Dioda wskazuje stan wykonywanych czynności poprzez wysyłanie określonej ilości błysków, o określonym czasie trwania. W "Tabeli C" jest opisane znaczenie poszczególnych sygnałów.

• Zaleca się najpierw przeczytać procedury i następnie wykonać operacje, realizując w odpowiedniej kolejności kroki każdej procedury.

**UWAGA!** – Przed wczytaniem nadajnika należy uważnie przeczytać tekst zamieszczony w dalszej części instrukcji.

Odbiornik może wczytywać tylko nadajniki należące do jednej z następujących 3 rodzin kodowania:

- rodzina składająca się z kodowań "O-Code", "FloR" i "TTS";
- rodzina składająca się z kodowania "Flo";
- rodzina składająca się z kodowania "Smilo";

**Uwaga** – Każde kodowanie umożliwia wykorzystanie w odbiorniku wyłączanie funkcji typowych dla określonego kodowania.

**Uwaga!** – Rodzina kodowania, do której należy pierwszy nadajnik wczytany do odbiornika określa również rodzinę, do której powinny należeć następne nadajniki, które należy wczytać.

Aby zmienić rodzinę kodowania znajdującą się w odbiorniku należy wykonać procedurę "Kasowanie całej pamięci odbiornika".

Aby dowiedzieć się, czy do odbiornika zostały wcześniej wczytane nadajniki i poznać rodzinę kodowania, do której one należą, postępować w następujący sposób:

01. Odłączyć zasilanie elektryczne od odbiornika.
02. Podłączyć zasilanie elektryczne do odbiornika i policzyć ilość błysków koloru zielonego, które zostaną wykonane przez diodę znajdującą się na odbiorniku.
03. Porównać ilość wykonanych właśnie błysków z poniższą tabelą:
  - 1 błysk = kodowanie Flo
  - 2 błyski = kodowanie O-Code / FloR / TTS
  - 3 błyski = kodowanie Smilo
  - 5 błysków = żaden nadajnik nie został wczytany

**Uwaga!** – Przed rozpoczęciem procedury wczytywania nadajnika należy uważnie przeczytać wszystkie opisane niżej metody wczytywania, aby



ocenić, która z tych metod jest najbardziej odpowiednia dla Waszego specyficznego przypadku.

## 6.1 - Tryby wczytywania nadajnika: "Tryb I" i "Tryb II"

Generalnie połączenie dostępnych poleceń z przyciskami nadajnika może zostać wykonane na dwa różne sposoby:

- **Tryb I:** ten tryb umożliwia wczytywanie za jednym razem do odbiornika wszystkich przycisków nadajnika lub tylko jednej grupy przycisków (tylko w nadajnikach, które posiadają kilka kodów tożsamości, jak na przykład model ON9). W tym trybie wczytywania kolejne przyciski zostaną połączone automatycznie z kolejnymi poleceniami ustalonymi w centrali sterującej – zgodnie z numeracją przycisków pilota i poleceń w centrali.
- **Tryb II:** ten tryb umożliwia wczytywanie do odbiornika pojedynczego, dowolnego przycisku nadajnika. Umożliwia on dowolne wybranie spośród poleceń dostępnych w centrali sterującej (maksymalnie 4), polecenia które dany przycisk ma wykonywać.

### Procedura wczytywania "Tryb I"

**Uwaga** – Podczas realizowania tej procedury wczytywane są jednocześnie wszystkie przyciski nadajnika lub tylko jedna grupa przycisków (w nadajnikach z grupami przycisków).

01. Wcisnąć i przytrzymać przycisk na odbiorniku, dopóki nie zaświeci się na nim **zielona** dioda. Następnie zwolnić przycisk. Dioda świeci się nadal ciągłym światłem.
02. Wcisnąć i przytrzymać przez 10 sekund dowolny przycisk na wczytowanym nadajniku, dopóki dioda na odbiorniku nie wykona pierwszego z 3 błysków koloru zielonego, które sygnalizują wczytanie, po czym puścić przycisk nadajnika.

**Uwaga** – Po trzech błyskach dysponujemy dodatkowymi 10 sekundami, w ciągu których jest możliwe wczytanie dodatkowych nadajników.

### Procedura wczytywania "Tryb II"

**Uwaga** – Podczas realizowania tej procedury wczytywany jest jeden przycisk nadajnika. Należy więc powtórzyć procedurę programowania dla każdego przycisku nadajnika, który zamierza się wczytać

01. Odszukać w "Tabeli poleceń" dostępne polecenia, wybrać odpowiednie polecenie, które zamierza się połączyć z przyciskiem nadajnika i zapisać numer, który odpowiada temu poleceniu.
02. Wcisnąć przycisk na odbiorniku tę samą ilość razy, która odpowiada wcześniej zapisanemu numerowi polecenia; dioda odbiornika wykona kilkakrotnie tę samą ilość błysków.
03. (na nadajniku, w ciągu 10 sekund) przytrzymać wciśnięty przycisk wybrany do wczytywania, dopóki dioda na odbiorniku nie wykona pierwszego z 3 błysków (= wczytanie wykonane).

**Uwaga** – Po trzech błyskach dysponujemy dodatkowymi 10 sekundami, w ciągu których jest możliwe wczytanie tego samego polecenia na innych przyciskach znajdujących się w tym samym lub w nowym nadajniku.

### Tabela poleceń

wyjście 1 = **KROK PO KROKU**

wyjście 2 = **STOP**

wyjście 3 = **TYLKO OTWARCIE**

wyjście 4 = **TYLKO ZAMKNIĘCIE**

## 6.2 - Wczytywanie nowego nadajnika z zastosowaniem procedury 'w pobliżu odbiornika'

[należy dysponować wcześniej wczytanym nadajnikiem]

Istnieje możliwość wczytywania NOWEGO nadajnika do pamięci odbiornika bez konieczności wciskania przycisku na tym odbiorniku, należy jednakże wykonać te operacje w jego zasięgu odbioru. Aby uaktywnić procedurę należy dysponować STARYM, wcześniej wczytanym nadajnikiem (w "Trybie I" lub w "Trybie II"), który funkcjonuje. Procedura umożliwi NOWEMU nadajnikowi uzyskanie ustawień ze STAREGO nadajnika.

### Zalecenia:

- **Tę procedurę należy wykonać przebywając w zasięgu odbioru odbiornika (10-20 m od odbiornika).**
- **Powtórzyć całą procedurę dla każdego nadajnika, który zamierza się wczytać.**

Można zastosować jedną z następujących procedur, w zależności od własnych preferencji:

### Procedura standard

01. Na NOWYM nadajniku przytrzymać wciśnięty przez co najmniej 5 sekundy przycisk... (**uwaga 1**) i następnie zwolnić.
02. Na STARYM nadajniku wcisnąć 3 razy przycisk... (**uwaga 2**) i następnie zwolnić.
03. Na NOWYM nadajniku wcisnąć 1 raz ten sam przycisk wciśnięty w punkcie 01 i następnie zwolnić.

### Procedura alternatywna

01. Na NOWYM nadajniku przytrzymać wciśnięty przez co najmniej 3 sekundy przycisk... (**uwaga 1**) i następnie zwolnić.
02. Na STARYM nadajniku przytrzymać wciśnięty przez co najmniej 3 sekundy przycisk... (**uwaga 2**) i następnie zwolnić.
03. Na NOWYM nadajniku przytrzymać wciśnięty przez co najmniej 3 sekundy ten sam przycisk, co wciśnięty w punkcie 01 i następnie zwolnić.
04. Na STARYM nadajniku przytrzymać wciśnięty przez co najmniej 3 sekundy ten sam przycisk, co wciśnięty w punkcie 02, dopóki zielona dioda L1 na odbiorniku nie wykona 3 błysków sygnalizujących wczytanie.

**Uwaga 1** – Wcisnąć dowolny przycisk, jeżeli STARY nadajnik został wczytany w "Trybie I" lub wcisnąć przycisk, który zamierza się skopiować, jeżeli STARY nadajnik został wczytany w "Trybie II".

**Uwaga 2** – Wcisnąć dowolny przycisk, jeżeli ten nadajnik został wczytany w "Trybie I" lub wcisnąć przycisk z poleceniem, które zamierza się przekazać, jeżeli ten nadajnik został wczytany w "Trybie II".

## 6.3 - Całkowite kasowanie pamięci odbiornika

Aby skasować z pamięci odbiornika wszystkie wczytane nadajniki lub ewentualnie wszystkie znajdujące się w niej dane, należy postępować w następujący sposób:

01. Wcisnąć i przytrzymać przez dłuższą chwilę przycisk odbiornika, dopóki nie zaświeci się **zielona** dioda i obserwować następujące w niej zmiany stanu:
  - po około 4 sekundach zaświeci się zielona dioda;
  - następnie po około 4 sekundach zielona dioda zgaśnie;
  - wreszcie po około 4 sekundach zielona dioda zacznie migotać.
02. Teraz, aby skasować wszystkie nadajniki należy zwolnić przycisk **dokładnie podczas 3-go błysku** zielonej diody lub aby skasować całą pamięć odbiornika (włącznie z konfiguracjami i rodziną kodowania nadajników) należy zwolnić przycisk **dokładnie podczas 5-go** błysku zielonej diody.

## 7

## PRÓBY ODBIORCZE I PRZEKAZANIE DO EKSPLOATACJI

**UWAGA!** – Operacje opisane w tym rozdziale muszą być wykonywane wyłącznie przez personel wykwalifikowany i doświadczony, stosownie do zaleceń zawartych w instrukcji obsługi, przepisów oraz instrukcji dotyczących bezpieczeństwa, obowiązujących na danym terytorium.

Ta faza jest najważniejsza podczas realizacji automatyki, w celu zagwarantowania maksymalnego bezpieczeństwa instalacji. Opisana procedura prób odbiorczych może być używana również w celu przeprowadzenia okresowej kontroli urządzeń, które składają się na automatykę.

Fazy prób odbiorczych i przekazania automatyki do eksploatacji muszą być wykonywane przez personel wykwalifikowany i doświadczony, który musi ustalić niezbędne próby, mające na celu sprawdzenie zastosowanych rozwiązań zastosowanych, w stosunku do występujących niebezpieczeństw oraz sprawdzić przestrzeganie zaleceń przewidzianych przez obowiązujące przepisy, normy i uregulowania prawne: w szczególności wszystkie wymogi normy EN 12445, która ustala metody prób weryfikacyjnych dla automatów do bram.

### 7.1 - Próby odbiorcze automatu

Każdy pojedynczy komponent automatu, na przykład listwy optyczne, fotokomórki, wyłącznik awaryjny, itp. wymaga przeprowadzenia specyficznego fazy próby odbiorczej; na tych urządzeniach należy wykonać procedury opisane w odnośnych instrukcjach obsługi.

Aby wykonać próby odbiorcze należy postępować w następujący sposób:

- 1 Sprawdzić, czy są ściśle przestrzegane zalecenia przewidziane w rozdziale "OGÓLNE INSTRUKCJE I ZALECENIA DOTYCZĄCE BEZPIECZEŃSTWA";
- 2 Odblokować motoreduktor specjalnym kluczem (odwołać się do paragrafu "Zablokowanie i Odblokowanie motoreduktora w trybie ręcznym" znajdującego się w "Instrukcji obsługi");
- 3 Sprawdzić, czy jest możliwe przesunięcie skrzydła bramy w trybie ręcznym zarówno podczas Otwierania jak i Zamykania;
- 4 Zablokować motoreduktor specjalnym kluczem (odwołać się do rozdziału "Zablokowanie i Odblokowanie motoreduktora w trybie ręcznym");
- 5 Wykorzystując urządzenia sterujące lub zatrzymujące, znajdujące się w automacie (przełącznik kluczowy, przyciski sterujące, nadajniki, itp.),



należy przeprowadzić próby zamykania i otwierania bramy, upewniając się, że przesunięcie skrzydła jest zgodne z zaleceniami. Wskazane jest przeprowadzenie różnych prób, mających na celu dokonanie oceny przesuwalności bramy i stwierdzenie ewentualnych usterek montażowych, regulacyjnych oraz występowanie specyficznych punktów tarcia;

- 6 Sprawdzić prawidłowe funkcjonowanie wszystkich pojedynczych urządzeń zabezpieczających, znajdujących się w instalacji (fotokomórki, listwy optyczne, itp.), sprawdzić również, czy zachowanie automatu odpowiada zaleceniom. Każdorazowo, kiedy zadziała urządzenie zabezpieczające, dioda "OK" znajdująca się na centrali musi wykonać 2 szybsze błyski, na potwierdzenie rozpoznania zdarzenia przez centralę;
- 7 Zmierzyć siłę uderzenia zgodnie z zaleceniami normy EN 12445. Jeżeli kontrola "siła silnika" jest wykorzystana przez centralę jako pomoc dla systemu w celu zredukowania siły uderzenia, należy przeprowadzić taką regulację, która oferuje lepsze rezultaty;
- 8 Przymocować w pobliżu automatu, w sposób trwały etykietkę, na której zawarta jest informacja wyjaśniająca jak należy odblokować motoreduktor w trybie ręcznym.

## 7.2 - Przekazanie automatu do eksploatacji

**Przekazanie automatu do eksploatacji może nastąpić dopiero po wykonaniu z wynikiem pozytywnym wszystkich faz próby odbiorczej. Nie jest dozwolone częściowe dopuszczenie urządzenia do eksploatacji lub dopuszczenie, które zostało wykonane w sytuacjach "pro wizorycznych".**

- 1 Przygotować i przechowywać przez co najmniej 10 lat książkę techniczną automatu, która musi zawierać następujące dokumenty: rysunek całościowy automatu, schemat wykonanych połączeń elektrycznych, analizę występujących zagrożeń i odpowiednio zastosowane rozwiązania, deklarację zgodności producenta dla wszystkich zastosowanych urządzeń, deklarację zgodności automatyki, wypełnioną przez instalatora, kopię instrukcji obsługi oraz plan konserwacji automatu;
- 2 Zawiesić na bramie tabliczkę zawierającą co najmniej następujące dane: typ automatu, nazwę i adres producenta (osobę odpowiedzialną za "przekazanie do eksploatacji"), numer seryjny, rok produkcji i oznakowanie "CE";
- 3 Wypełnić i dostarczyć właścicielowi automatu deklarację zgodności automatyki; w tym celu należy wypełnić formularz "**Deklaracja zgodności CE**";
- 4 Wypełnić i dostarczyć właścicielowi automatu formularz "**Instrukcja obsługi**";
- 5 Wypełnić i dostarczyć właścicielowi automatu formularz "**Plan konserwacji**", w którym zgromadzone są zalecenia dotyczące konserwacji wszystkich urządzeń automatu;
- 6 Przed przekazaniem automatu do eksploatacji należy odpowiednio poinformować właściciela o zagrożeniach i utrzymujących się ryzykach szkodliwych.

## LIKWIDACJA PRODUKTU

Ten produkt jest integralną częścią automatyki, dlatego też powinien zostać zlikwidowany razem z nią.

Zarówno operacje instalowania jak również operacje demontażu po zakończeniu eksploatacji urządzenia, powinny być wykonywane przez personel wykwalifikowany.

Niniejsze urządzenie składa się z różnych rodzajów materiałów: niektóre z nich mogą być ponownie używane, inne nadają się do wyrzucenia. Zgromadzić niezbędne informacje dotyczące placówek zajmujących się recyklingiem lub likwidacją materiałów, zgodnie z przepisami obowiązującymi dla tej kategorii urządzeń na Waszym terytorium.

**Uwaga!** – niektóre części urządzenia mogą zawierać substancje zanieczyszczające lub niebezpieczne, które jeżeli zostaną pozostawione w otoczeniu, mogą wywierać szkodliwy wpływ na środowisko i zdrowie ludzkie.

Jak wskazuje symbol zamieszczony obok, zabrania się wyrzucania urządzenia razem z odpadami domowymi. Należy więc przeprowadzić "selektywną zbiórkę odpadów", zgodnie z metodami przewidzianymi przez przepisy obowiązujące na Waszym terytorium lub oddać urządzenie do sprzedawcy podczas dokonywania zakupu nowego ekwiwalentnego urządzenia.

**Uwaga!** – lokalne przepisy mogą przewidywać wysokie kary za nielegalną likwidację niniejszego urządzenia.



## OPERACJE OKRESOWEJ KONSERWACJI

Generalnie to urządzenie nie wymaga jakiegokolwiek szczególnej konserwacji; jednakże regularnie przeprowadzana kontrola umożliwi utrzymywanie skutecznie funkcjonującej instalacji i zagwarantowanie prawidłowego funkcjonowania zainstalowanych systemów zabezpieczających.

Automat wymaga okresowej konserwacji, aby mógł bezpiecznie funkcjonować możliwie jak najdłużej. Należy zaplanować konserwację automatu z określoną częstotliwością. Przeglądy powinny być wykonywane nie rzadziej, niż co 6 miesięcy.

Aby sprawdzić wykonanie konserwacji należy postępować w następujący sposób.

**UWAGA!** – Przed wykonaniem wszelkich weryfikacji należy rozłączyć wszelkie źródła zasilania elektrycznego.

- Sprawdzić stan wszystkich komponentów automatu, zwracając szczególną uwagę na zjawiska erozji lub utleniania elementów konstrukcyjnych; ewentualnie wymienić te części, które nie gwarantują prawidłowego funkcjonowania.

- Sprawdzić stan zużycia elementów znajdujących się w ruchu: koło zębate, listwa zębata i wszystkie elementy, które składają się na skrzydło bramy; wymienić zużyte elementy.

- Po zakończeniu przeglądu kontrolnego należy ponownie podłączyć zasilanie elektryczne i przeprowadzić wszelkie próby i weryfikacje przewidziane w rozdziale 4.

## DANE TECHNICZNE PRODUKTU

**OSTRZEŻENIE:** • Wszystkie przytoczone cechy techniczne, odnoszą się do temperatury otoczenia 20°C (± 5°C). • Nice S.p.a. zastrzega sobie prawo do wprowadzenia zmian w każdym momencie, gdy uzna za konieczne, zachowując tą sama funkcjonalność i użycie.

■ Zasilanie sieciowe	230 Vpp 50 Hz
■ Silnik	asynchroniczny jednofazowy
■ Typ ogranicznika	elektromechaniczny
■ Maks. moc pochłonięta	350 W (peak 500 W)
■ Pobór prądu z sieci	1.6 A
■ Wbudowany kondensator	14 µF
■ Stopień zabezpieczenia	IP 44
■ Maksymalny moment obrotowy (odpowiadający sile)	35 Nm (1100 N)
■ Nominalny moment obrotowy (odpowiadający sile)	12 Nm (360 N)
■ Prędkość nominalna	0.16 m/s
■ Zabezpieczenie termiczne	140 °C
■ Maksymalny ciężar skrzydła	1500 kg
■ Maksymalna długość skrzydła	12 m
■ Maksymalna ilość cykli na godzinę	15 (dla skrzydła 6-metrowego)
■ Maksymalna ilość kolejnych cykli	5
■ Wymiary	335 x 203 x 275 (wys.)
■ Waga	11.5 kg
■ Maks. prąd urządzeń 24 V	150 mA (napięcie może zmieniać się o ± 25%)
■ Wyjście dla lampy ostrzegawczej	Dla lamp ostrzegawczych na napięcie sieciowe - maksymalna moc wynosi 40 W
■ Temperatura eksploatacji	od -20 °C do +50 °C
■ Czas pracy	Regulowany od 2,5 do > 40 s lub od < 40 do > 80 s (z TLM)
■ Czas trwania przerwy	Regulowany od 5 do > 80 s
■ Dekodowanie	"O-Code" / "FloR" / "TTS"; "Flo"; lub "Smilo"
■ Częstotliwość odbioru	433.92 MHz
■ Czulość	większa od 0,5 µV
■ Impedancja wejściowa	52 ohm

# INSTRUKCJA OBSŁUGI

(dostarczyć użytkownikowi automatu)

**WAŻNE** – Ta instrukcja zawiera ważne informacje dotyczące bezpieczeństwa; przed użyciem urządzenia należy dokładnie przeczytać wszystkie instrukcje. Przechowywać tę instrukcję w celu ewentualnej przyszłej konsultacji.

## INSTRUKCJE I ZALECENIA DOTYCZĄCE OBSŁUGI

Surowo zabronione jest dotykание części automatu podczas, kiedy brama znajduje się w ruchu!

- Przed użyciem automatu po raz pierwszy należy poświęcić kilka minut na przeczytanie instrukcji obsługi, dostarczonej przez osobę, która zainstalowała automat. Ponadto należy poprosić ją o wyjaśnienie źródeł ryzyka szczytkowego.

- Przechowywać tę instrukcję, aby móc ją wykorzystać w przypadku wystąpienia wszelkich wątpliwości i przekazać ją ewentualnemu nowemu właścicielowi automatu.

- Zakupiony przez Was automat jest urządzeniem, które wiernie wykonuje Wasze polecenia; nieodpowiedzialna i niewłaściwa obsługa może czynić je niebezpieczne. Nie sterować ruchem automatu, jeżeli w jego promieniu działania znajdują się osoby, zwierzęta lub inne obiekty.

- **Dzieci: ta instalacja przeznaczona do automatyzowania bram gwarantuje wysoki stopień zabezpieczenia; z zastosowaniem własnych systemów wykrywających zapobiega przesuwaniu się bramy w obecności osób lub innych obiektów. Ponadto gwarantuje uruchamianie zawsze przewidywalne i bezpieczne. W każdym przypadku wskazane jest zakazanie dzieciom zabawy w pobliżu automatyki. Aby uniknąć przypadkowego uruchomienia automatu nie należy pozostawiać nadajników w ich zasięgu (nadajnik nie jest zabawką!).**

- Często sprawdzać automatykę w celu wykrycia ewentualnych śladów zużycia, uszkodzenia lub niewyrównoważenia. Natychmiast zaniechać używania automatu, jeżeli wymagana jest konserwacja.

- Okresowo sprawdzać prawidłowe funkcjonowanie fotokomórek i zlecić wykonanie zaprogramowanej konserwacji nie rzadziej niż co 6 miesięcy.

- Fotokomórki nie są urządzeniami zabezpieczającymi, są wyłącznie pomocniczymi urządzeniami bezpieczeństwa. Zostały skonstruowane w oparciu o technologie o wysokiej niezawodności, w ekstremalnych sytuacjach mogą jednakże funkcjonować nieprawidłowo lub nawet ulec uszkodzeniu. **Uwaga!**– W niektórych przypadkach uszkodzenie fotokomórek może nie być natychmiast widoczne.

**Bezwzględnie zabrania się przejeżdżania podczas przesuwania się bramy!**

- Natychmiast po zauważeniu wszelkich oznak nieprawidłowego funkcjonowania automatyki należy dla bezpieczeństwa odłączyć zasilanie elektryczne od instalacji. Nie usiłować samodzielnie wykonywać żadnych napraw, ale należy zwrócić się o pomoc do zaufanego instalatora. W międzyczasie instalacja może funkcjonować z *Otwieraniem* i *Zamykaniem* w trybie ręcznym; odblokować ręcznie motoreduktory jak opisano w tej instrukcji.

- W przypadku braku energii elektrycznej, po podłączeniu prądu pierwszy sterowany manewr zostanie wykonany przez automatykę przy zredukowanej prędkości, niezależnie od rodzaju ustawionej prędkości.

- Nie modyfikuj instalacji oraz parametrów programowania i ustawień automatyki, nawet, jeżeli myślisz, że jesteś w stanie to zrobić: odpowiedzialność ponosi osoba, która zainstalowała automatykę.

- Próby odbiorcze, okresowe konserwacje i ewentualne naprawy muszą być udokumentowane przez osobę, która je wykonuje a dokumenty muszą być przechowywane przez właściciela instalacji.

- Po zakończeniu okresu eksploatacji automatyki należy upewnić się, że likwidacja zostanie przeprowadzona przez personel wykwalifikowany oraz że materiały, z których się składa zostaną ponownie wykorzystane lub zlikwidowane zgodnie z przepisami obowiązującymi na danym terytorium.

## ZABLOKOWANIE I ODBLOKOWANIE MOTOREDUKTORA W TRYBIE RĘCZNYM

Motoreduktor jest wyposażony w system mechaniczny, który umożliwia otwieranie i zamykanie bramy w trybie ręcznym.

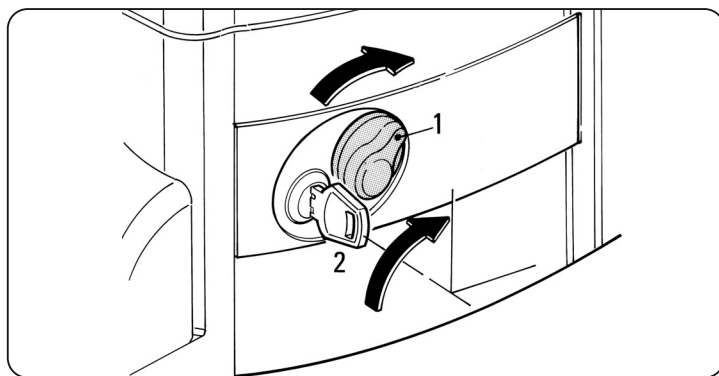
Wykonywanie tych operacji w trybie ręcznym jest konieczne w przypadku braku prądu elektrycznego lub nieprawidłowego funkcjonowania bramy. W tym ostatnim przypadku wykorzystanie mechanizmu odblokowującego może być użyteczne również dla sprawdzenia, czy uszkodzenie zależy od samego mechanizmu (na przykład może być nieprawidłowo dokręcony).

Aby ręcznie odblokować motoreduktor należy wykorzystać klucz odblokowujący, znajdujący się w wyposażeniu urządzenia i postępować w następujący sposób:

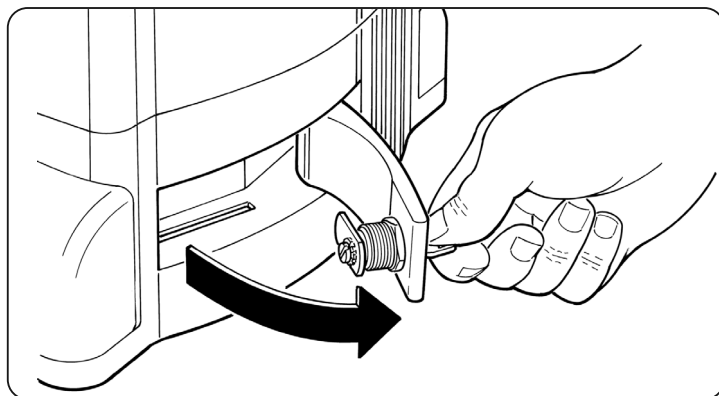
**01.** Obrócić osłonę zamka;

**02.** Włożyć klucz do specjalnego sworznia odblokowującego;

**03.** Obrócić klucz o 90° w kierunku zgodnym z ruchem wskazówek zegara i pociągnąć uchwyt do siebie;



**04.** Teraz będzie możliwe ręczne przesunięcie skrzydła bramy do wybranego położenia.



**05.** Aby przywrócić funkcjonowanie automatyki należy zamknąć uchwyt i obrócić w kierunku przeciwnym do ruchu wskazówek zegara klucz, znajdujący się na sworzniu odblokowującym, następnie należy ręcznie przesunąć skrzydło bramy, dopóki nie zostanie usłyszany mechaniczny dźwięk świadczący o zaspężeniu skrzydła z mechanizmem ciągnącym.

**06.** Wyjąć klucz ze sworznia odblokowującego i przechowywać w odpowiednim miejscu.



## 1 ALGEMENE AANBEVELINGEN EN VOORZORGSMAATREGELEN VOOR DE VEILIGHEID

### WERK ONDER VEILIGE CONDITIES!

- **LET OP! – Belangrijke aanwijzingen: bewaar deze aanwijzingen voor eventuele toekomstige onderhoudswerkzaamheden of de verwerking als afval van de afgedankte inrichting.**
- **LET OP! – Alle werkzaamheden in verband met de installatie, de aansluiting, de programmering en het onderhoud van de inrichting mogen uitsluitend worden uitgevoerd door een gekwalificeerde technicus!**

Met het oog op de gevaren die zich gedurende de installatie en het gebruik kunnen voordoen, moeten, om maximale veiligheid te waarborgen, tijdens de installatie alle van kracht zijnde wetten, voorschriften en regels volledig in acht genomen worden. Dit hoofdstuk bevat algemene aanbevelingen; andere, belangrijke aanbevelingen vindt u in de hoofdstukken “3 - Installatie en “7 - Eindtest en inbedrijfstelling”.

**Volgens de meest recente Europese wetgeving valt het aanleggen van een automatische deur of poort onder de Richtlijn 98/37/EG (Machinerichtlijn) en met name onder de voorschriften: EN 13241-1 (geharmoniseerde norm); EN 12445; EN 12453 en EN 12635, die een verklaring van overeenstemming met de machinerichtlijn mogelijk maken.**

Verdere inlichtingen, richtlijnen ten aanzien van risico's en het samenstellen van het technische dossier zijn beschikbaar op [www.niceforyou.com](http://www.niceforyou.com). Deze handleiding is, met uitzondering van de losmaakbare bijlage “Gebruikshandleiding”, welke de installateur dient te verzorgen, uitsluitend bestemd voor gekwalificeerd technisch installatiepersoneel, aangezien de informatie uit dit dossier niet als interessant voor de gebruiker kan worden beschouwd!

- Ieder gebruik van het product dat afwijkt van hetgeen voorzien is in deze handleiding is verboden; oneigenlijk gebruik kan gevaar opleveren of letsel en schade aan mensen en zaken veroorzaken.
- Voordat u met de installatie begint, dient u een analyse van de risico's te maken waarvan de lijst van essentiële veiligheidseisen zoals die in Bijlage I van de Richtlijn Machines zijn voorzien, deel uitmaakt; hierin geeft u de toegepaste oplossingen aan.

Wij maken u erop attent dat de risico-analyse één van de documenten is die deel uitmaken van het technisch dossier van de automatisering.

- Controleer of er verdere inrichtingen nodig zijn om de automatisering op basis van de specifieke toepassingssituatie en aanwezige gevaren te completeren; u dient daarbij bijvoorbeeld gevaar voor stoten, beknelling, snijden etc. en andere gevaren in het algemeen in acht te nemen.
- Breng geen wijzigingen aan onderdelen aan, indien dit niet in deze aanwijzingen is voorzien. Dergelijke handelingen kunnen alleen maar storingen veroorzaken. NICE wijst elke aansprakelijkheid voor schade tengevolge van gewijzigde artikelen van de hand.
- Zorg ervoor dat er tijdens het installeren niets, ook geen vloeistof, in de besturingseenheid of andere open inrichtingen kan komen; neem eventueel contact op met het technisch servicecentrum van NICE; het gebruik van het product in deze situaties kan een gevaarlijke situatie doen ontstaan.
- Het automatische mag niet gebruikt worden voordat de inbedrijfstelling heeft plaatsgevonden zoals dat in hoofdstuk “5 Eindtest en inbedrijfstelling” is aangegeven
- De afvalverwerking van het verpakkingsmateriaal moet geheel en al volgens de plaatselijk geldende regels plaatsvinden.
- Indien er zich een storing voordoet die u niet met behulp van de informatie uit deze handleiding kunt oplossen, gelieve u contact op te nemen met de technische servicedienst van NICE
- Wanneer er een automatische schakelaar of zekering in werking is getreden, dient u alvorens die terug te stellen, de storing op te sporen en te verhelpen.
- Voordat u aan de interne klemmen onder de dekplaat komt, dient u alle voedingscircuits los te koppelen; indien dit niet te zien is doordat de uit-schakelinrichting niet zichtbaar is, dient u een bord aan te brengen met de tekst: “LET OP ONDERHOUDSWERKZAAMHEDEN IN UITVOERING”.

Bijzondere aanbevelingen ten aanzien van de gebruiksgeschiktheid van dit product met betrekking tot de Richtlijn “Machines” 98/37/EG (ex 89/392/EEG);

• Dit product wordt op de markt gebracht als een “machineonderdeel” en is er dus voor gemaakt om in een machine ingebouwd te worden of met andere machines geassembleerd te worden teneinde “een machine” op grond van de Richtlijn 98/37/EG te vormen, alleen in combinatie met andere onderdelen en op de manieren die in deze instructiehandleiding beschreven zijn. Wij attenderen u erop dat het op grond van de Richtlijn 98/37/EG niet geoorloofd is dit product in bedrijf te stellen zolang de fabrikant van de machine waarin dit product wordt opgenomen, deze niet heeft geïdentificeerd en conform de Richtlijn 98/37/EG heeft verklaard.

Bijzondere aanbevelingen ten aanzien van de gebruiksgeschiktheid van dit product met betrekking tot de Richtlijn “Laagspanning” 2006/95/EEG:

• Dit product voldoet aan de eisen van de Richtlijn “Laagspanning” indien het gebruikt wordt voor de toepassing en in de configuratie die voorzien zijn in deze instructiehandleiding en in combinatie met de artikelen uit de productencatalogus van Nice S.p.a. Het zou kunnen zijn dat er niet aan deze eisen voldaan wordt als het product gebruikt wordt in een configuratie of met andere producten die niet voorzien zijn; het is verboden het product in deze situaties te gebruiken zolang degene, die de installatie verricht, niet heeft gecontroleerd of aan de in de Richtlijn gestelde eisen wordt voldaan.

Bijzondere aanbevelingen ten aanzien van de gebruiksgeschiktheid van dit product met betrekking tot de Richtlijn “Elektromagnetische compatibiliteit” 2004/108/EEG:

• Dit product is onderworpen aan tests met betrekking tot de elektromagnetische compatibiliteit in de meest kritieke gebruikssituaties, in de configuraties die in deze instructiehandleiding voorzien zijn en in combinatie met artikelen uit de productencatalogus van Nice S.p.a. Het zou kunnen zijn dat de elektromagnetische compatibiliteit niet gegarandeerd is, als het product gebruikt wordt in configuraties of met andere producten die niet voorzien zijn; het is verboden het product in deze situaties te gebruiken zolang degene, die de installatie verricht, niet heeft gecontroleerd of aan de in de Richtlijn gestelde eisen wordt voldaan.

## 2 BESCHRIJVING VAN HET PRODUCT EN GEBRUIKSBESTEMMING

TH1500 is bestemd voor het automatiseren van een schuifpoort voor particulier gebruik. **Ieder gebruik dat afwijkt van hetgeen hier beschreven is en in andere omgevingscondities dan in deze handleiding zijn vermeld dient als oneigenlijk en dus als verboden te worden beschouwd!**

De reductiemotor bestaat uit een 230 V wisselstroommotor, een rondsel en een besturingseenheid.

De besturingseenheid voorziet alle inrichtingen in de installatie van stroom en bestuurt de werking ervan. De besturingseenheid wordt gevormd door een kaart en een ingebouwde multicode radio-ontvanger, die de door een zender verstuurd instructies ontvangt. Er zijn verschillende functies beschikbaar die het mogelijk maken het gebruik van de automatisering aan uw persoonlijke wensen aan te passen.

Het automatische laat installatie van verschillende accessoires toe, die borg staan voor de veiligheid en de functies ervan nog verder uitbreiden.

Het product werkt op elektrische netvoeding en in geval van een stroomuitval (*black-out*) is het mogelijk de reductiemotor handmatig te ontgrendelen om de poort ‘met de hand’ te kunnen bewegen.

## 3 INSTALLATIE

### 3.1 - Controles voorafgaand aan de installatie

Voordat u gaat installeren dient u te controleren of de onderdelen van het product intact zijn, het gekozen model adequaat is en de omgeving van installatie geschikt.

**BELANGRIJK – De reductiemotor kan geen handbediende poort automatiseren die niet beschikt over een efficiënte en veilige mechanische structuur. Bovendien kan de reductiemotor geen defecten oplossen die veroorzaakt zijn door een verkeerde installatie of door slecht onderhoud van de poort zelf.**

### 3.2 - Geschiktheid van de omgeving en van de te automatiseren poort

• Controleer of de mechanische structuur van de poort geschikt is om geautomatiseerd te worden en voldoet aan de ter plaatse geldende normen (*raadpleeg eventueel de gegevens die op het etiket van de poort vermeld zijn*).

- Controleer of het gewicht en de afmetingen van de vleugel binnen de gebruikslimieten vallen die in paragraaf “3.3 Gebruikslimieten” zijn aangegeven.
- Vergewis u er aan de hand van de in hoofdstuk “Technische gegevens van het product” van dat:

- de benodigde kracht om de vleugel van de poort in beweging te brengen, kleiner is dan de helft van het “Maximale koppel”;

- de benodigde kracht om de vleugel van de poort in beweging te houden, kleiner is dan de helft van het “Nominale koppel”; *Opmerking – Om de waarde van de kracht in te stellen, is het raadzaam een marge van 50% op deze krachten aan te houden, omdat slechte weersomstandigheden de wrijving kunnen verhogen.*

- Controleer door de vleugel van de poort handmatig in *Openingsrichting* en *Sluitrichting* te verplaatsen of de beweging in beide richtingen dezelfde en op ieder punt van het traject constante wrijving ondervindt (*er mogen geen momenten zijn waarop meer kracht vereist is*).

- Controleer of de vleugel van de poort in evenwicht blijft, dat wil zeggen of hij zich niet beweegt op het moment dat hij met de hand in een willekeurige positie gebracht en daar losgelaten wordt.

- Controleer of er geen gevaar bestaat dat de vleugels uit de geleiderails lopen.

- Controleer dat er op de plaats van bevestiging van de reductiemotor geen wateroverlast is; installeer de reductiemotor eventueel op een plaats boven de grond.

- Controleer of er binnen de reductiemotor voldoende ruimte is om de handmatige ontgrendelingsmanoeuvre te verrichten.

- Controleer of de knellingspunten tussen de vleugel van de poort en de vaste delen van de poort gedurende de *Openings-* en *Sluitmanoeuvre* beschermd zijn.

- Controleer of de voor de installatie van de verschillende inrichtingen gekozen oppervlakken solide zijn en een stabiele bevestiging kunnen waarborgen. Controleer met name of de oppervlakken waarop de fotocellen bevestigd zullen worden vlak zijn en een correcte uitlijning tussen de fotocellen zelf toelaten.

- Controleer of elk van de te installeren inrichtingen wordt opgesteld op een beschutte plek, beschermd tegen stoten.

- Controleer of het op het etiket van het product vermelde bedrijfstemperatuurinterval compatibel is met de klimaatskenmerken van de plaats van installatie.

- Indien er een toegangsdeur in de vleugel is ingebouwd of als deze deur zich binnen het bewegingsbereik van de vleugel bevindt, dient u zich ervan te verzekeren dat deze de normale beweging van de vleugel niet belemmert; indien dit wel het geval is, dient een compatibel blokkeringsstelsel te worden geïnstalleerd.

- Sluit de besturingseenheid aan op een elektrische voedingsleiding die correct geaard is.

- Op de voedingsleiding van het automatisme dient een inrichting voor afkoppeling van het elektrische voedingsnet te worden aangebracht; dit om een openingsafstand tussen de contacten te garanderen die de complete afkoppeling mogelijk maakt in de condities van de overspanningscategorie III. Als die onderbrekingsinrichting van de stroomtoevoer zich niet in de nabijheid van de automatisering bevindt, dient er een blokkeringsstelsel te zijn tegen het per ongeluk of onbevoegd inschakelen.

### 3.3 - Gebruikslimieten van het product

Om te bepalen of het product geschikt is voor de poort die u wilt automatiseren en voor de specifieke omgevingscondities, dient u de controles uit te voeren die hierna beschreven zijn en te na te gaan of de resultaten hiervan overeenstemmen met zowel de gegevens uit deze paragraaf als de technische gegevens uit hoofdstuk “**Technische kenmerken van het product**”.

- Controleer of de afmetingen en het gewicht van de vleugel van de poort binnen de volgende limieten vallen:

**maximumlengte 14 m**

**maximumgewicht 1500 kg**

- Controleer de totaalafmetingen van de reductiemotor, zie hiervoor **afb. 1**. *Opmerking – Deze maten dienen ook ter referentie bij het berekenen van de ruimte die de funderingsput in beslag zal nemen en voor het doorvoeren van de kabelgoten.*

- Controleer of er op de plaats die gekozen is voor de bevestiging van de reductiemotor voldoende ruimte is voor de installatie hiervan.

- Controleer op de vleugel van de poort of de punten waar de tandheugel bevestigd zal worden een geschikt en solide oppervlak vertonen.

**Let op!** – *Als het resultaat van deze controles niet aan de voorschriften voldoet, betekent dit dat dit model niet gebruikt kan worden voor het automatiseren van de poort in kwestie.*

### 3.4 - Voorbereidende werkzaamheden

De **afb. 2** laat een voorbeeld zien van een automatiseringsinstallatie die gerealiseerd is met onderdelen van **Nice**. Deze onderdelen zijn geplaatst

volgens het gebruikelijke standaardschema.

Gebruik de **afb. 2** om bij benadering de plaats van installatie van elk onderdeel van het systeem te bepalen.

**Waarschuwing** – De bedieningsinrichtingen van het “vaste” type moeten in het zicht van de poort, maar uit de buurt van de bewegende delen hiervan worden opgesteld.

De reductiemotor is in de fabriek afgesteld om aan de rechterkant van de poort geïnstalleerd te worden. **LET OP!** – *Indien de reductiemotor alleen maar aan de linkerkant van de poort geïnstalleerd kan worden, dient u de aanwijzingen uit hoofdstuk 4 (paragraaf 4.1 - punt 07) door te lezen.*

**Onderdelen die nodig zijn voor het realiseren van een complete installatie (afb. 2):**

- 1 - elektromechanische reductiemotor
- 2 - stel fotocellen
- 3 - sleutelschakelaar of digitaal toetsenbord
- 4 - knipperlicht met ingebouwde antenne
- 5 - eindpositiebeugels
- 6 - tandheugel
- 7 - zuilen voor fotocellen

Alvorens met de installatie van het product te beginnen, dient u zich ervan te verzekeren dat u beschikt over alle gereedschappen en materialen die voor het werk benodigd zijn. Controleer bovendien of gereedschap en materiaal in goede condities zijn en voldoen aan de plaatselijke veiligheidsvoorschriften.

Maak de kanalen voor de buizen van de elektrische leidingen of, plaats externe goten; zet bovenstaande buizen vervolgens vast in het cement en voer alle andere voorbereidende werkzaamheden uit die nodig zijn om de omgeving klaar te maken voor de latere installatiewerkzaamheden.

**Voor het ingraven van de plaat voor het verankeren van de reductiemotor aan de grond dient u als volgt te werk te gaan:**

- 01.** Graaf de funderingsput op de plaats waar de reductiemotor geplaatst zal worden. *Opmerking – De afmetingen van de put moeten gelijk aan of groter dan de afmetingen van de funderingsplaat zijn.*

- 02.** Plaats de goten voor de doorvoer van de elektrische kabels.

**LET OP!** – *In het algemeen dient u de uiteinden van de buizen voor het doorvoeren van de elektriciteitskabels dichtbij de punten te plaatsen waar de verschillende inrichtingen bevestigd zullen worden.*

*Opmerking: het doel van de buizen is de elektrische kabels te beschermen en breuk, bijvoorbeeld door stoten, te voorkomen.*

Voor het prepareren van de elektriciteitskabels die nodig zijn voor uw installatie raadpleegt u **afb 10-10a** en “**Tabel 1 - Technische gegevens van de elektriciteitskabels**”.

**Tabel 1: Technische gegevens van de elektriciteitskabels**

Aansluiting	Type kabel	Maximaal toegestane lengte
<b>A:</b> Kabel STROOMTOEVOER	kabel 3 x 1,5 mm <sup>2</sup>	30 m (opmerking 1)
<b>B:</b> Kabel KNIPPERLICHT met antenne	kabel 2 x 0,5 mm <sup>2</sup> Afgeschermde kabel type RG58	30 m 20 m (aanbevolen: minder dan 5m)
<b>C:</b> Kabel FOTOCELLEN	kabel 2 x 0,5 mm <sup>2</sup> (TX) kabel 4 x 0,25 mm <sup>2</sup> (RX)	30 m 30 m
<b>D:</b> Kabel SLEUTELSCHAKELAAR DIGITAAL TOETSENBORD	kabels 4 x 0,25 mm <sup>2</sup>	30 m

**Algemene opmerking:** *de kabels die nodig zijn om de installatie te realiseren (niet in de verpakking aanwezig) kunnen verschillend zijn afhankelijk van het aantal en het type van de in de installatie gebruikte onderdelen.*

**Opmerking 1:** *als u een langere kabel nodig heeft, is het mogelijk een kabel te gebruiken met een diameter van 3 x 2,5 mm<sup>2</sup>; in dit geval is het noodzakelijk om in de nabijheid van de automatisering een veiligheidsaarding aan te brengen.*

**LET OP!** – *De gebruikte kabels moeten geschikt zijn voor het type installatieomgeving; voor binnenshuis wordt bijvoorbeeld aangeraaden kabels van het type H03VV-F te gebruiken, voor buitenshuis kabels van het type H07RN-F.*

### 3.5 - Installeren van de onderdelen van de automatisering

#### AANBEVELINGEN

- Een onjuiste installatie kan ernstig letsel toebrengen aan de perso-



nen die het werk verrichten en aan de personen die de installatie zullen gebruiken.

• Alvorens met de montage van de automatisering te beginnen dient u de voorafgaande controles uit de paragrafen “3.2 - Geschiktheid van de omgeving en van de te automatiseren poort” en “3.3 - Gebruikslimieten van het product” uit te voeren.

• Zorg voor één of meer kabelmantels voor het doorvoeren van de elektriciteitskabels.

### Bevestiging van de funderingsplaat

01. Schroef met de hand voor elk van de 4 bijgeleverde verankeringsbouten 1 korte moer M 12 vast over de hele schroefdraad.
02. Steek de vier verankeringsbouten in de funderingsplaat (afb. 3);
03. Zorg voor één of meer kabelmantels voor het doorvoeren van de elektriciteitskabels.
04. Plaats de plaat in het cement en let er hierbij op dat de plaat perfect waterpas is.

Het is belangrijk de voorgeschreven afstand tussen de funderingsplaat en de tandheugel aan te houden (men dient dus vooraf al te weten of deze aan de poort zal worden vastgelast ofwel met schroeven en afstandstukken zal worden vastgezet), om de sleufbevestiging van de reductiemotor te kunnen gebruiken (afb. 4).

### Installatie van de reductiemotor

01. Verwijder het deksel van de reductiemotor door met een schroevendraaier de schroeven aan de zijkanten los te draaien (afb. 5). **Opmerking** – Het wordt aangeraden de reductiemotor zonder deksel te laten tot alle installatie- en programmeringswerkzaamheden voltooid zijn.
02. Verwijder de twee lipjes die de schroeven afdekken door ze naar boven te trekken (afb. 6);
03. Plaats de TH1500 op de eerder vastgemetselde funderingsplaat;
04. Schroef de 4 korte moeren vast als u de hoogte van de reductiemotor wilt afstellen (max. 10 mm), zo niet, deze moeren niet gebruiken (afb. 7);
05. Installeer de 4 onderlegschildjes;
06. Span de M 12 moeren en de eventuele tegenmoeren stevig aan met een sleutel van 19 mm;
07. Plaats de twee (esthetische) lipjes die de schroeven afdekken door druk uit te oefenen van boven naar onder;
08. Ontgrendel de reductiemotor met de daarvoor bestemde sleutel (zie de paragraaf “Handmatig vergrendelen of ontgrendelen van de reductiemotor” van de “Gebruikshandleiding”).
09. Breng de vleugel van de poort met de hand in de stand voor maximale Opening en, plaats het eerste stuk tandheugel boven het rondsel van de reductiemotor. **Belangrijk:** - de totale lengte van de tandheugel moet gelijk zijn aan de lengte van de vleugel van de poort; - de afstand tussen het rondsel en de tandheugel moet circa 1-2 mm bedragen, om te voorkomen dat het gewicht van de vleugel op de reductiemotor kan rusten.
10. Bevestig op dit punt de tandheugel op de vleugel (zie de instructiehandleiding van de tandheugel).
11. Verplaats de vleugel met de hand om de andere stukken tandheugel te bevestigen: gebruik als referentiepunt het rondsel en gebruik een waterpas om ieder stuk tandheugel horizontaal en perfect uitgelijnd met het op het rondsel rustende uiteinde te plaatsen. **Opmerking** – Om te stukken tandheugel provisorisch aan de vleugel vast te zetten, kunt u klemmen gebruiken zoals te zien is op afb. 8. **Waarschuwing** – In het geval dat de door de tandheugel toegelaten regeling niet voldoende is, is het mogelijk de hoogte van de reductiemotor af te stellen met behulp van de 2 inbusschroeven.
12. De tandheugel mag niet uitsteken ten opzichte van de vleugel van de poort, het overtollige stuk ervan zonodig afsnijden.
13. Voer handmatig enige Openings- en Sluitmanoeuvres van de poort uit om te controleren of de tandheugel over zijn hele lengte gelijkmatig over het rondsel loopt. Controleer bovendien of de afstand tussen rondsel en tandheugel circa 1-2 mm bedraagt.
14. Plaats de twee eindpositiebeugels bij benadering op de tandheugel (afb. 9) en verplaats de poort met de hand terwijl u de beugels definitief vastzet.
15. Ga als volgt te werk om de eindpositiebeugel te bevestigen:
  - a) breng de poort handmatig in de Openingspositie en laat hierbij een afstand van minstens 2-3 cm tot de mechanische stop over.
  - b) verschuif de eindpositiebeugel op de tandheugel, in de Openingsrichting, tot de eindschakelaar in werking treedt. Verplaats de beugel vervolgens nog 2 cm verder en blokkeer hem tot slot op de tandheugel met de bijgeleverde schroeven.
  - c) doe hetzelfde om de eindpositiebeugel voor de Sluitbeweging te bevestigen.
12. Tot slot, blokkeert u de reductiemotor met de hiervoor bestemde sleutel (zie het hoofdstuk “Handmatig vergrendelen of ontgrendelen van de reductiemotor”).

## 4 ELEKTRISCHE AANSLUITINGEN

Op dit punt is het, na de reductiemotor en de bedieningsinrichtingen (sleutelschakelaar of drukknoppenpanelen) en veiligheidsinrichtingen (noodstop, fotocellen, contactlijsten, knipperlicht) te hebben geïnstalleerd mogelijk de elektrische aansluitingen tot stand te brengen, zie hiervoor de volgende paragrafen en het voorbeeld van afb. 10-10a.

De besturingseenheid biedt een aantal functies die geselecteerd kunnen worden met behulp van dip-switches (minischakelaars) en afstellingen die uitgevoerd kunnen worden met behulp van trimmers (afb. 11).

De led's van de ingangen (afb. 11) signaleren de werkingsstatus van de onderdelen van de automatisering; de Led “OK” (afb. 11), daarentegen signaleert dat de besturingseenheid zelf goed werkt. In de besturingseenheid zit bovendien een ingebouwde multicode radio-ontvanger.

### Onderdelen van de besturingseenheid (afb. 11).

- a - Klemmenbord voor antenne
- b - Dip-switch voor functieselectie
- c - Drukknop radio
- d - Trimmer voor afstelling Werktijd (TL)
- e - Trimmer voor afstelling Pauzetijd (TP)
- f - Klemmenbord ingangen / uitgangen voor besturing
- g - Ingangsconnector van de eindschakelaars
- h - Klemmenbord uitgang knipperlicht / gebruikerslicht
- i - Connector condensator
- l - Uitgangsconnector stroomtoevoer motor
- m - Klemmenbord voeding
- n - Led signalering radio
- o - Laagspanningszekerung (315 mA F)
- p - Trimmer voor afstelling van de kracht (F)
- q - Led “OK”
- r - Transformator
- s - Lijnzekerung (5A F)

### LET OP!

– Om gevaarlijke situaties te voorkomen mag de besturingseenheid gedurende de aansluitwerkzaamheden niet onder stroom staan.

– Een verkeerde aansluiting kan storingen of gevaarlijke situaties veroorzaken; u dient daarom de aangegeven aansluiting nauwgezet aan te houden.

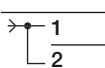
– Er bestaan precieze normen die strikt in acht genomen moeten worden en die zowel betrekking hebben op de veiligheid van elektrische systemen als op automatische poorten.

Om de elektrische aansluitingen tot stand te kunnen brengen dient u het deksel van de besturingseenheid te verwijderen zoals te zien is op afb. 12 en te werk te gaan volgens de aanwijzingen van afb. 11 en de paragraaf “Beschrijving van de elektrische aansluitingen”. Zet tot slot de voedingskabel vast met behulp van de hiervoor bestemde kabelklem (afb. 13)

Om de elektrische veiligheid en een goede werking van de automatisering te waarborgen, dient u een aardverbinding te maken op de klem die is aangegeven op afb. 11.

### Beschrijving van de elektrische aansluitingen

Hieronder volgt een beschrijving van de mogelijke aansluitingen van de besturingseenheid voor de bedienings- en veiligheidsinrichtingen:

Klemmen	Functie	Beschrijving
1 - 2 - 3	Stroomtoevoer	Netvoedingsleiding
4 - 5	Knipperlicht	Uitgang voor aansluiting van het knipperlicht op netspanning (max. 40 W)
8 - 9	24 Vac	Stroomtoevoer gebruikers 24 Vac +/- 25% (max. 150 mA)
9	Gemeenschappelijk	Gemeenschappelijk voor alle ingangen
10	Alt	Ingang met functie “Halt” (stop en korte omkering)
11	Foto	Ingang voor veiligheidsinrichtingen
12	Stap-voor-stap	Ingang voor cyclische beweging (PP) (“Open” – “Stop” – “Sluit” – “Stop”)
	1	Antenne +
	2	Antenne massa

### Aanbevelingen:

- De ingangen van de contacten van het type NC (normaal gesloten) moeten, indien ze niet gebruikt worden, “overbrugd” worden met een geleidingsbrug en, als het meer dan één ingang betreft, onderling in SERIE worden geschakeld;
- De ingangen van de contacten van het type NO (normaal geopend) moe-

ten, indien ze niet gebruikt worden, vrij worden gelaten en, als het meer dan één ingang betreft, onderling PARALLEL worden geschakeld.

– De contacten moeten absoluut van het mechanische type zijn en losgekoppeld van willekeurig welk potentiaal, trapaansluitingen zoals die van het type “PNP”, “NPN”, “Open Collector” etc. zijn niet toegestaan.

#### 4.1 - Eerste inschakeling en controle van de aansluitingen

**LET OP!** – Alle hierna in de handleiding beschreven werkzaamheden worden verricht op elektrische circuits die onder spanning staan, de manoeuvres kunnen dus gevaarlijk zijn! Ga daarom voorzichtig te werk.

01. Geef stroom aan de besturingseenheid en controleer of er tussen de klemmen 8-9 circa 24 Vac is.
02. Controleer of de led “OK”, na een aantal maal snel geknipperd te hebben, met regelmatige tussenpozen gaat knipperen.
03. Controleer op dit punt of de led's die horen bij de ingangen met NC contacten branden (= alle veiligheids actief) en of de led's horend bij de NA ingangen uit zijn (= geen instructie aanwezig).  
Als dit niet zo is, dient u de verschillende aansluitingen en de werking van de verschillende inrichtingen te controleren. De ingang “Halt” (Alt) zal, wanneer hij in werking treedt zowel de eindschakelaar van de Openingsbeweging (FCA) als de eindschakelaar van de Sluitbeweging (FCC) deactiveren.
04. Controleer de aansluiting van de eindschakelaars: beweeg de hendel van de eindschakelaar en controleer of de betreffende eindschakelaar in werking treedt en de bijbehorende led op de besturingseenheid uit laat gaan.
05. Ontgrendel de reductiemotor, breng de vleugel van de poort halverwege het bewegingstraject en vergrendel de reductiemotor vervolgens. Op deze manier is de vleugel vrij om zowel de Openings- als de Sluitbeweging uit te voeren.
06. Controleer of de beweging van de vleugel plaatsheeft in de juiste richting, zoals door de besturingseenheid wordt signaleerd. **Belangrijk** – Het is verplicht deze controle uit te voeren. Als de richting van de vleugel niet correct is ten opzichte van de signalering door de besturingseenheid, is het mogelijk dat de automatisering ongeschijnlijk goed werkt (de cyclus “Open” is vrijwel gelijk aan de cyclus “Sluit”), maar in werkelijkheid zouden de veiligheidsinrichtingen genegeerd kunnen worden gedurende het uitvoeren van de Sluitmanoeuvre. In dit geval zouden de veiligheidsinrichtingen alleen in werking treden gedurende de Openingsmanoeuvre, en zo hersluiting van de poort tegen het obstakel veroorzaken, met desastreuze gevolgen!
07. Controleer of de draairichting van de motor correct is, stuur een korte impuls naar de ingang PP, de besturingseenheid voert als eerste manoeuvre altijd een Opening uit, het is dus voldoende om te controleren of de motor in Openingsrichting draait.  
Als dit niet het geval is, dient u als volgt te werk te gaan:
  - a) maak de besturingseenheid spanningsloos;
  - b) draai de voedingsconnector van de motor (I - **afb. 11**) en die van de eindschakelaar 180° (g - **afb. 11**);
  - c) zet op dit punt de besturingseenheid weer onder stroom en herhaal de controle van punt 07.

De led “OK” op de besturingseenheid (**afb. 11**) dient voor het signaleren van de werkingsstatus van de besturingseenheid:

- 1 knippering met regelmatige tussenpozen van 1 seconde = geeft aan dat de interne microprocessor actief is en klaar om instructies te ontvangen.
- 1 snelle dubbele knippering = geeft aan wanneer de microprocessor een verandering van de werkingsstatus van een ingang detecteert (zowel van een besturingsingang als van de dip-switch van de functies); dit gebeurt ook als de gedetecteerde verandering geen onmiddellijke gevolgen heeft.
- 1 zeer snelle knippering met een duur van 3 seconden = geeft aan dat de besturingseenheid onder stroom werd gezet en bezig is met een test om de werkingsstatus te controleren.
- 1 knippering met onregelmatige tussenpozen = geeft aan dat de test niet goed verlopen is en dat er een storing aanwezig is.

## 5 INSTELLING VAN DE PARAMETERS

De werkingsparameters van de besturingseenheid kunnen worden afgesteld met behulp van de “trimmers” (**afb. 11**) op de besturingseenheid.

• **Werktijd (TL):** in de werkingsmodus “Semi-automatisch” regelt deze parameter de maximumduur van de Openings- of Sluitmanoeuvre. Om deze parameter in te stellen gaat u als volgt te werk: **a)** selecteer de werkingsmodus “Semi-automatisch” en zet de **dip-switch 1** op “ON”; **b)** zet de “trimmer TL” halverwege; **c)** voer een complete Openings- en Sluitcyclus uit en controleer of de ingestelde maximumduur van de Openings- of Sluitmanoeuvre voldoende is en of er een marge van 2 of 3 seconden overblijft; stel zo nodig de “trimmer TL” opnieuw in op de maximumwaarde. Indien deze maximumduur nog steeds niet voldoende is, dient u de geleidingsbrug TLM die zich in de nabijheid van de trimmer TL bevindt door te snijden (**afb. 11**), om zo een “Verlengde werktijd” (TLM) te verkrijgen.

Als u de vertragingfunctie wilt gebruiken, dient u de trimmer zodanig in te stellen dat de vertragingfase begint op 50-70 cm voor het punt waarop de eindschakelaar in werking treedt.

Een eventuele wijziging van deze parameter zal zichtbaar zijn gedurende het uitvoeren van de eerste Openingsmanoeuvre waar u na de wijziging een instructie voor verstuurt.

• **Pauzetijd (TP):** in de werkingsmodus “Automatisch” regelt deze parameter de tijd die verstrijkt tussen het eind van de Openingsmanoeuvre en het begin van de Sluitmanoeuvre. Om deze parameter in te stellen gaat u als volgt te werk: **a)** selecteer de werkingsmodus “Automatisch” door de **dip-switch 2** op “ON” te zetten; **b)** stel de “trimmer TP” in naar wens; **c)** om te controleren of de ingestelde tijd correct is, voert u een complete Openingsmanoeuvre uit en controleert u de tijd die verstrijkt tot aan het begin van de Sluitmanoeuvre.

• **Kracht (F): Let op** – De instelling van deze parameter kan aanzienlijke gevolgen hebben voor de veiligheid van de automatisering, bij het uitvoeren van deze instelling dient u daarom met de grootst mogelijke aandacht te werk te gaan.

Om deze parameter in te stellen dient u verschillende mogelijkheden uit te proberen en de gedurende een manoeuvre door de vleugel uitgeoefende kracht te meten en deze te vergelijken met de waarden die voorzien zijn door de plaatselijk geldende normen.

#### Werkingsmodus

**Stap-voor-stap (PP):** deze modus, **die gebruikt wordt in de handbedieningsmodus (persoon aanwezig)**, activeert beurtelings de Openings- en Sluitmanoeuvre en wanneer de instructie eindigt, stopt de manoeuvre die aan de gang is.

De manoeuvre stopt, zowel bij de Openings- als bij de Sluitbeweging, ook als de eindschakelaars in werking treden, bovendien stopt bij de Sluitmanoeuvre de beweging ook als er geen toestemming is van de veiligheidsinrichtingen “Foto”. Indien daarentegen “ALT” in werking treedt, zowel bij de Openings- als de Sluitbeweging, stopt de manoeuvre onmiddellijk en wordt er een korte omkering uitgevoerd.

Wanneer de manoeuvre stopt, moet het versturen van de instructie beëindigd worden voordat een nieuwe instructie verstuurd kan worden.

Wanneer daarentegen de modus “Stap-voor-stap” gebruikt wordt in één van de **automatische modi** (“Semi-automatisch”, “Automatisch” of “Sluit altijd”), bewerkstelligt het versturen van een instructie de activering, beurtelings, van de Openings- en Sluitmanoeuvre, een tweede versturing van een instructie activeert de “Stop”. Indien daarentegen “ALT” in werking treedt, zowel bij de Openings- als de Sluitbeweging, stopt de manoeuvre onmiddellijk en wordt er een korte omkering uitgevoerd.

Indien men de automatische werkingsmodus gebruikt, zal er na een Openingsmanoeuvre een pauze zijn, en na afloop hiervan wordt er een Sluitmanoeuvre uitgevoerd.

Als gedurende de pauze de veiligheidsinrichtingen “Foto” in werking treden, zal de timer worden teruggezet op een nieuwe Pauzetijd; als gedurende de pauze daarentegen “Alt” in werking treedt, wordt de automatische sluitfunctie geannuleerd en wordt een “Stop” geactiveerd.

Gedurende de Openingsmanoeuvre heeft de activering van “Foto” geen enkele uitwerking; gedurende de Sluitmanoeuvre daarentegen veroorzaakt hij een omkering van de manoeuvre, vervolgens een pauze en daarna de Sluitmanoeuvre.

#### Programmeerbare functies

De besturingseenheid beschikt over een aantal microschemelaars voor de activering van functies waarmee de automatisering kan worden aangepast aan de eisen van de gebruiker en waarmee de veiligheid ervan in de verschillende gebruikscondities kan worden verhoogd.

Om de functies te activeren of deactiveren gebruikt u de dip-switch 1 of 2: om de functies te **activeren** zet u hem op “ON” en om de functies te **deactiveren** zet u hem op “OFF”.

Sommige van de beschikbare functies hebben te maken met de veiligheid;



het is belangrijk om nauwgezet te beoordelen wat de veiligste functie is. De dip-switches maken het mogelijk de verschillende werkingsmodi te selecteren en de gewenste functies te programmeren (zie **Tabel A**):

**Tabel A**

<b>Switch 1-2:</b>	<b>Off-Off</b>	"Handbediende" manoeuvre, <i>d.w.z., persoon aanwezig</i>
	<b>On-Off</b>	"Semi-automatische" manoeuvre
	<b>Off-On</b>	"Automatische" manoeuvre, <i>d.w.z., automatisch sluiten</i>
	<b>On-On</b>	"Automatische" manoeuvre + "Sluit altijd"
<b>Switch 3:</b>	<b>On</b>	Werkings voor woonblok ( <i>niet beschikbaar in handbedieningsmodus</i> )
<b>Switch 4:</b>	<b>On</b>	Voorwaarschuwing
<b>Switch 5:</b>	<b>On</b>	Sluit 5 seconden na "Foto" indien ingesteld in "Automatische" modus of "Sluit na Foto" indien ingesteld in "Semi-automatische" modus.
<b>Switch 6:</b>	<b>On</b>	Veiligheid "Foto" ook bij Openingsmanoeuvre
<b>Switch 7:</b>	<b>On</b>	Geleidelijke start
<b>Switch 8:</b>	<b>On</b>	Vertraging
<b>Switch 9:</b>	<b>On</b>	Rem
<b>Switch 10:</b>	<b>On</b>	Niet gebruikt

### Switch 1-2

In de "Handbediende" werkingsmodus wordt de manoeuvre alleen uitgevoerd zolang de instructie actief is (toets van de zender ingedrukt, persoon aanwezig).

In de "Semi-automatische" werkingsmodus bewerkstelligt het versturen van een instructie uitvoering van de volledige manoeuvre tot de "Werktijd" verstreken is of tot de eindpositie bereikt wordt.

In de "Automatische" werkingsmodus is er na de Openingsmanoeuvre een pauze en na afloop hiervan wordt er automatisch een Sluitmanoeuvre uitgevoerd.

De functie "Sluit altijd" treedt in werking na een stroomuitval (black-out); indien bij het terugkeren van de stroom de besturingseenheid detecteert dat de vleugel van de poort in de Openingsstand staat, wordt er automatisch een Sluitmanoeuvre geactiveerd, voorafgegaan door een voorwaarschuwing van 5 seconden.

### Switch 3

Wanneer in de werkingsmodus "Woonblok" een instructie "Stap-voor-stap" wordt verstuurd en er een Openingsmanoeuvre van start gaat, kan deze door geen enkele andere versturing van een "Stap-voor-stap" of "Open" instructie via radio worden onderbroken voordat de manoeuvre volledig beëindigd is.

Bij de Sluitmanoeuvre daarentegen veroorzaakt het versturen van een nieuwe "Stap-voor-stap" instructie de stop en de omkering van de manoeuvre zelf.

### Switch 4

Wanneer een instructie wordt verstuurd, wordt eerst het knipperlicht geactiveerd en, na 5 seconden (2 seconden indien ingesteld in de "Handbediende" werkingsmodus) begint de manoeuvre.

### Switch 5

Als deze functie is ingesteld in de werkingsmodus "Automatisch" maakt hij het mogelijk de vleugel van de poort slechts open te houden voor de tijd die nodig is om voertuigen of personen door te laten; na afloop van de werking van de veiligheidsinrichtingen "Foto" stopt de manoeuvre en na 5 seconden begint er automatisch een Sluitmanoeuvre.

Indien de functie daarentegen is ingesteld in de "Semi-automatische" werkingsmodus zal, wanneer de veiligheidsinrichtingen "Foto" in werking treden gedurende de Sluitmanoeuvre de automatische Sluiting geactiveerd worden met de duur van de geprogrammeerde "Pauzetijd".

### Switch 6

Meestal is de veiligheidsfunctie "Foto" alleen actief voor de Sluitmanoeuvre, maar als de dip-switch 6 wordt ingesteld op "ON", zal activering van de veiligheidsinrichting ook bij de Openingsmanoeuvre een onderbreking van de manoeuvre veroorzaken. Als daarentegen de "Semi-automatische" of "Automatische" werkingsmodus is ingesteld, zal de Openingsmanoeuvre meteen nadat de veiligheidsinrichtingen niet meer geactiveerd zijn hervat worden.

### Switch 7

Wanneer u deze functie instelt, zal de start van de manoeuvre geleidelijk verlopen, op deze manier is het mogelijk ongewenste schokbewegingen van de automatisering te vermijden.

### Switch 8

De vertraging komt neer op een vermindering van de snelheid met 30%

van de nominale snelheid; hierdoor wordt de stootkracht van de vleugel van de poort na afloop van een manoeuvre gereduceerd.

Wanneer deze functie geactiveerd wordt, moet de "Werktijd (TL)" worden ingesteld aangezien het begin van de vertragingfase samenhangt met de ingestelde werktijd. TL moet zodanig worden afgesteld dat de vertragingfase begint op circa 50-70 cm voor het punt waarop de eindschakelaars in werking treden.

De vertragingfunctie verlaagt niet alleen de snelheid van de automatisering maar reduceert ook het motorkoppel met 70%. **LET OP** – Bij automatiseringen die een hoge motorkoppelwaarde vereisen, is het mogelijk dat deze vertragingfunctie een onmiddellijke stop van de motor bewerkstelligt.

### Switch 9

Wanneer deze functie wordt ingesteld, wordt na afloop van een manoeuvre een motorremprocedure uitgevoerd; er wordt eerst gematigd geremd, en vervolgens steeds sterker, om de vleugel van de poort snel te stoppen zonder schokken te veroorzaken.

### Switch 10

Niet gebruikt.

## 6 PROGRAMMEREN VAN DE RADIO-ONTVANGER

### • Installatie van een externe antenne

Als de bijgeleverde antenne op een ongunstige plek komt te zitten en het radiosignaal zwak blijkt te zijn, is het, om de ontvangst te verbeteren, raadzaam de antenne te vervangen door een externe antenne (mod. ABF of ABFKIT). De nieuwe antenne moet zo hoog mogelijk worden geplaatst, boven eventuele structuren van metaal of gewapend beton die zich in de nabijheid bevinden.

### • Aansluiting op de besturingseenheid

Voor de aansluiting van de ontvanger op de besturingseenheid gebruikt u een coaxiale kabel met impedantie van 50 ohm (bijvoorbeeld de kabel RG58 met laag verlies). **Let op!** – Om dispersie van het signaal zoveel mogelijk te beperken gebruikt u een korte kabel (niet langer dan 10 m).

### Aanbevelingen bij het programmeren

• *Voor de in dit hoofdstuk beschreven programmeringswerkzaamheden gebruikt u de toets "c" en de Led "n" op de ontvanger (afb. 11). De led geeft de status van de werkzaamheden aan via een bepaald aantal knipperingen die een bepaalde tijdsduur hebben. In "Tabel C" is de betekenis van deze knippercodes beschreven.*

• *Het wordt aangeraden eerst de procedures door te lezen en daarna pas de werkzaamheden en de stappen van elke procedure achter elkaar uit te voeren.*

### **LET OP!** – Alvorens een zender in het geheugen op te slaan, de volgende tekst aandachtig doorlezen.

De ontvanger kan uitsluitend zenders opslaan die behoren tot één van de volgende 3 coderingsfamilies:

- familie bestaande uit de coderingen "O-Code", "FloR" en "TTS";
- familie bestaande uit de codering "Flo";
- familie bestaande uit de codering "Smilo".

**Opmerking** – *In de ontvanger laat iedere codering uitsluitend gebruik toe van de functies die bij de codering horen*

### **Let op!** – De coderingsfamilie waartoe de eerste in de ontvanger opgeslagen zender behoort, bepaalt ook de familie waartoe de volgende zenders, die moeten worden opgeslagen, moeten behoren.

Om de coderingsfamilie die in de ontvanger aanwezig is te wissen, dient de procedure voor "Volledig wissen van het geheugen van de ontvanger" te worden uitgevoerd.

Om na te gaan of er in de ontvanger reeds zenders en een bijbehorende coderingsfamilie zijn opgeslagen, gaat u als volgt te werk:

- 01.** Maak de ontvanger stroomloos.
- 02.** Zet weer stroom op de ontvanger en tel het aantal groene knipperingen van de led van de ontvanger.
- 03.** Vergelijk het aantal knipperingen dat u geteld heeft met de volgende tabel:
  - 1 knippering = codering Flo
  - 2 knipperingen = codering O-Code / FloR / TTS
  - 3 knipperingen = codering Smilo
  - 5 knipperingen = geen zender ingevoerd

**Let op!** – Alvorens te beginnen met de procedure voor opslag van een

zender dient u de beschreven werkwijzen aandachtig door te lezen om te bepalen welke werkwijze het meest geschikt is.

## 6.1 - Werkwijze voor opslag van een zender: "Werkwijze I" en "Werkwijze II"

In het algemeen kan de combinatie tussen deze instructies en de toetsen van een zender op twee verschillende wijzen worden gedaan:

• **Werkwijze I:** hierbij is het mogelijk alle toetsen van de zender of slechts een groep ervan (alleen voor zenders die meerdere identiteitscodes bezitten, bijvoorbeeld het model ON9) in één keer op te slaan in de ontvanger. Bij deze werkwijze worden de toetsen van de zender automatisch gecombineerd met de vooringestelde instructies in de besturingseenheid.

• **Werkwijze II:** hierbij is het mogelijk een enkele toets van de zender in de ontvanger op te slaan. Het is mogelijk te kiezen welke van de in de besturingseenheid beschikbare instructies u wilt programmeren (maximaal 4).

### Opslagprocedure met "Werkwijze I"

**Waarschuwing** – Met deze procedure worden tegelijkertijd alle toetsen van de zender of slechts een groep ervan opgeslagen.

**01.** Druk op de toets op de ontvanger en houd deze ingedrukt tot de **groene** led op de ontvanger gaat branden. Laat de toets vervolgens weer los.

**02.** Druk binnen 10 seconden op een willekeurige toets op de zender die moet worden opgeslagen en houd deze ingedrukt tot de led op de ontvanger de eerste van 3 groene knipperingen geeft die signaleren dat de zender is opgeslagen.

**Opmerking** – Na de 3 knipperingen heeft u 10 seconden om andere zenders op te slaan.

### Opslagprocedure met "Werkwijze II"

**Waarschuwing** – Met deze procedure wordt een enkele toets van de zender opgeslagen. De programmeringsprocedure moet dus herhaald worden voor iedere toets van de zender die men in het geheugen wil opslaan.

**01.** Raadpleeg de "Tabel instructies" om de beschikbare instructies te kiezen; kies de instructie die u aan een toets van de zender wilt toekennen en noteer tot slot het nummer dat bij de instructie hoort.

**02.** Druk op de ontvanger net zoveel malen op de toets als het nummer van de instructie dat u eerder noteerde, de led van de ontvanger zal hetzelfde aantal maal knipperen.

**03.** (op de zender, binnen 10 seconden) Houd de gekozen toets ingedrukt tot de led van de ontvanger de eerste van 3 knipperingen laat zien (=opslag uitgevoerd).

**Opmerking** – Na de drie knipperingen heeft u nog 10 seconden om dezelfde instructie op andere toetsen van dezelfde zender of op een nieuwe zender op te slaan.

### Tabel instructies

uitgang 1 = **STAP-VOOR-STAP**

uitgang 2 = **ALT**

uitgang 3 = **OPEN**

uitgang 4 = **SLUIT**

## 6.2 - Opslag van een nieuwe zender met behulp van de procedure 'in de nabijheid van de ontvanger' [u dient te beschikken over een reeds in het geheugen opgeslagen zender]

Het is mogelijk een NIEUWE zender in het geheugen van de ontvanger op te slaan zonder de toets van deze ontvanger rechtstreeks in te drukken; het is voldoende dat u de procedure binnen diens ontvangstbereik uitvoert. Om de procedure uit te kunnen voeren dient u te beschikken over een OUDE zender die reeds in het geheugen is opgeslagen ("Werkwijze I" of "Werkwijze II") en die het doet. Via deze procedure ontvangt de NIEUWE zender dezelfde instellingen als de OUDE zender.

### Aanbevelingen:

• **De procedure moet binnen het ontvangstbereik van de ontvanger worden uitgevoerd (10-20 m van de ontvanger).**

• **Herhaal de gehele procedure voor elke zender die u in het geheugen op wilt slaan.**

Het is mogelijk, naar wens, één van de volgende procedures te kiezen:

### Standaard procedure

**01.** Op de NIEUWE zender houdt u tenminste 5 seconden lang de toets ... ingedrukt (**opmerking 1**) en laat u deze toets vervolgens weer los.

**02.** Op de OUDE zender drukt u 3 maal op de toets ... (**opmerking 2**) en laat u deze vervolgens weer los.

**03.** Op de NIEUWE zender drukt u 1 maal op dezelfde toets die u bij punt 01 heeft ingedrukt en laat u deze vervolgens weer los.

### Alternatieve procedure

**01.** Op de NIEUWE zender houdt u tenminste 3 seconden lang de toets ... ingedrukt (**opmerking 1**) en laat u deze toets vervolgens weer los.

**02.** Op de OUDE zender houdt u tenminste 3 seconden lang de toets ... ingedrukt (**opmerking 2**) en laat u deze vervolgens weer los.

**03.** Op de NIEUWE zender houdt u tenminste 3 seconden lang dezelfde toets ingedrukt die u bij punt 01 heeft ingedrukt en laat u deze vervolgens weer los.

**04.** Op de OUDE zender houdt u tenminste 3 seconden lang dezelfde toets ingedrukt die u bij punt 02 heeft ingedrukt, tot de groene led L1 van de ontvanger 3 maal knippert, ten teken dat de opslag heeft plaatsgevonden.

**Opmerking 1** – Druk op een willekeurige toets als de OUDE zender is opgeslagen op "Werkwijze I" of druk op de toets die u wilt opslaan als de OUDE zender is opgeslagen op "Werkwijze II".

**Opmerking 2** – Druk op een willekeurige toets als deze zender is opgeslagen op "Werkwijze I" of druk op de toets met de instructie die u wilt overbrengen als deze zender is opgeslagen op "Werkwijze II".

## 6.3 - Volledig wissen van het geheugen van de ontvanger

Om alle opgeslagen zenders of, als alternatief, alle aanwezige gegevens uit het geheugen van de ontvanger te wissen, gaat u als volgt te werk:

**01.** Druk de toets van de ontvanger in en houd hem lang ingedrukt tot de **groene** led gaat branden en observeer de veranderingen in de status van de led:

- na circa 4 seconden gaat de groene led aan;
- de groene led gaat vervolgens, na circa 4 seconden, weer uit;
- tot slot begint de groene led, na circa 4 seconden, te knipperen.

**02.** Op dit punt moet u, om alle zenders te wissen, de toets **exact gedurende de 3e knippering** van de groene led loslaten; om het gehele geheugen van de ontvanger te wissen (met inbegrip van de configuraties en de coderingsfamilie van de zenders) moet u de toets **exact gedurende de 5e knippering** van de groene led loslaten.

## 7 EINDTEST EN INBEDRIJFSTELLING

**LET OP!** – De in dit hoofdstuk beschreven handelingen mogen uitsluitend worden uitgevoerd door gekwalificeerd en ervaren personeel, in overeenstemming met de instructies uit de handleiding en de plaatselijk geldende wetten en veiligheidsvoorschriften.

Dit is de belangrijkste fase bij de aanleg van de automatisering teneinde een zo groot mogelijke veiligheid van de installatie te garanderen. De beschreven testprocedure kan ook gebruikt worden om de inrichtingen, waaruit de automatisering is opgebouwd, periodiek te controleren.

De fasen van de eindtest en de inbedrijfstelling van de automatisering moeten worden uitgevoerd door gekwalificeerd en ervaren personeel dat dient te bepalen welke tests in functie van de bestaande risico's noodzakelijk zijn en te controleren of de wettelijke voorschriften, normen en regels en met name alle vereisten van norm EN 12445, die de testmethodes voor de controle van automatiseringen voor poorten bepaalt, in acht genomen zijn.

### 7.1 - Eindtest van de automatisering

Voor elk afzonderlijk onderdeel van het automatisme, zoals bijvoorbeeld contactlijsten, fotocellen, noodstop, etc. is een specifieke fase in de eindtest vereist; voor deze inrichtingen zullen de procedures uit de desbetreffende instructiehandleidingen gevolgd moeten worden.

Ga voor de eindtest als volgt te werk:

**1** Controleer of de veiligheidsaanwijzingen uit het hoofdstuk "ALGEMENE AANBEVELINGEN EN VOORZORGSMAATREGELEN VOOR DE VEILIGHEID" zorgvuldig in acht zijn genomen;

**2** Ontgrendel de reductiemotor met de daarvoor bestemde sleutel (zie de paragraaf "Handmatig vergrendelen of ontgrendelen van de reductiemotor" van de "Gebruikshandleiding");

**3** Controleer of het mogelijk is de vleugel handmatig in zowel de Openings- als de Sluitrichting te verplaatsen;

**4** Blokkeer de reductiemotor met de hiervoor bestemde sleutel (zie het hoofdstuk "Handmatig vergrendelen of ontgrendelen van de reductiemotor");

**5** Gebruik de bedienings- of stopinrichtingen van de automatisering (sleutelschakelaar, bedieningsknoppen, zenders etc.), om sluit- en openings-tests van de poort uit te voeren en controleer hierbij of de beweging van de vleugel zoals voorzien is. Het is raadzaam meerdere tests uit te voeren om te beoordelen of de poort soepel loopt en te controleren of er

eventuele montage- of afstellingsdefecten zijn, of bijzondere wrijvingspunten;

- 6 Controleer één voor één of alle veiligheidsinrichtingen in de installatie (fotocellen, contactlijsten etc.) goed werken en verifieer of de poort zich gedraagt als voorzien is. Telkens wanneer één van de veiligheidsinrichtingen in werking treedt, dient de led "OK" op de besturingseenheid 2 maal snel te knipperen ter bevestiging van het feit dat de besturingseenheid de gebeurtenis herkent;
- 7 Meet de stootkracht overeenkomstig hetgeen voorzien is door de norm EN 12445. Indien de controle van de "motorkracht" door de besturingseenheid gebruikt wordt als hulp aan het systeem voor de vermindering van de stootkracht, dient u te proberen de functies af te stellen die betere parameters bieden;
- 8 Bevestig op een plek naast de automatisering een permanent etiket waarop beschreven wordt hoe de reductiemotor handmatig ontgrendeld kan worden.

## 7.2 - Inbedrijfstelling van de automatisering

Inbedrijfstelling kan alleen plaatsvinden nadat alle fasen van de eindtest met succes zijn afgesloten. Gedeeltelijke inbedrijfstelling of inbedrijfstelling in "provisorische" situaties is niet toegestaan.

- 1 Maak een technisch dossier van de automatisering en bewaar dit tenminste 10 jaar. Dit dossier moet de volgende documenten omvatten: een overzichtstekening van de automatisering, het schema van de tot stand gebrachte elektrische aansluitingen, de risico-analyse en de toegepaste oplossingen, de verklaring van overeenstemming van de fabrikant van alle gebruikte inrichtingen, de door de installateur ingevulde verklaring van overeenstemming, een kopie van de gebruikshandleiding en het onderhoudsplan van de automatisering;
- 2 Breng een plaatje op de poort aan met daarop tenminste de volgende gegevens: type automatisering, naam en adres van de fabrikant (verantwoordelijk voor de "inbedrijfstelling"), serienummer, bouwjaar en "CE"-keurmerk.
- 3 Vul de verklaring van overeenstemming in en geef deze aan de eigenaar van de automatisering; hiertoe vult u het formulier "EG-verklaring van overeenstemming" in;
- 4 Vul het formulier "Gebruikshandleiding" in en geef dit aan de eigenaar van de automatisering;
- 5 Vul het formulier "Onderhoudsplan" in en geef dit aan de eigenaar van de automatisering. Dit plan bevat alle onderhoudsvoorschriften voor alle inrichtingen van de automatisering;
- 6 Alvorens de automatisering in bedrijf te stellen, dient u de eigenaar afdoende te informeren over de gevaren en restrisico's die nog aanwezig zijn.

## AFDANKEN VAN HET PRODUCT

Dit product maakt integraal deel uit van de automatisering en moet dan ook samen met de automatisering worden afgedankt.

De ontmantelingwerkzaamheden aan het eind van de levensduur van dit product moeten, net als de installatiewerkzaamheden, worden uitgevoerd door gekwalificeerd personeel.

Dit product is opgebouwd uit verschillende soorten materiaal: sommigen hiervan kunnen gerecycled worden, anderen moeten als afval worden verwerkt. Win informatie in over de recycling- of afvalverwerkingsystemen die voor deze productcategorie zijn voorzien door de in uw land geldende voorschriften.

**Let op!** – Sommige delen van het product kunnen vervuilende of gevaarlijke substanties bevatten die, indien ze in het milieu terecht komen, schadelijke effecten kunnen hebben op de omgeving of op de gezondheid van personen.

Zoals aangegeven door het symbool hiernaast, is het verboden dit product met het gewone huisvuil weg te gooien. Volg een "gescheiden afvalverwerking" volgens de methodes die voorzien zijn door de in uw land geldende voorschriften, of lever het product weer in bij de verkoper op het moment dat u een nieuw gelijksoortig product aanschaft.

**Let op!** – De plaatselijk geldende voorschriften kunnen zware sancties voorzien in het geval u de voorschriften voor afvalverwerking van dit product niet opvolgt.



## PERIODIEK ONDERHOUD

In het algemeen behoeft dit product geen speciaal onderhoud; door de installatie in de loop van de tijd regelmatig te controleren, kunt u de installatie en de veiligheidssystemen echter altijd in goede staat van werking houden.

De automatisering moet periodiek onderhouden worden om een zo lang mogelijke levensduur en compleet veilige werking te garanderen. De automatisering moet periodiek, met regelmatige tussenpozen, onderhouden worden. Geprogrammeerd onderhoud dient te worden uitgevoerd met intervallen van maximaal 6 maanden.

Om de onderhoudscontroles uit te voeren, gaat u als volgt te werk.

**LET OP!** – Alvorens controles uit te gaan voeren, dient u alle elektrische voedingsbronnen los te koppelen.

- Controleer alle onderdelen waaruit de automatisering bestaat op kwaliteitsvermindering en let daarbij met name op aantasting of roestvorming van de structurele delen; vervang die delen welke onvoldoende garantie bieden.

- Controleer de staat van slijtage van alle bewegende delen: rondsel, tandheugel en alle onderdelen van de poort; vervang eventueel de versleten onderdelen.

- Sluit na afloop van de onderhoudscontroles de elektrische voeding weer aan en voer alle in hoofdstuk 4 beschreven tests en controles uit.

## TECHNISCHE GEGEVENS VAN HET PRODUCT

**AANWIJZINGEN:** • Alle vermelde technische eigenschappen hebben betrekking op het product bij een omgevingstemperatuur van 20°C (± 5°C). • De firma Nice S.p.a. behoudt zich het recht voor, op om het even welk ogenblik dat zij het nodig acht, wijzigingen aan te brengen, terwijl dezelfde functionaliteit en gebruiksbestemming wordt behouden.

■ Netvoeding	230 Vac 50 Hz
■ Motor	asynchroon éénfase
■ Type eindschakelaar	elektromechanisch
■ Max. opgenomen vermogen	350 W (peak 500 W)
■ Opname lijn	1.6 A
■ Ingebouwde condensator	14 µF
■ Beschermingsklasse	IP 44
■ Maximumkoppel (komt overeen met kracht)	35 Nm (1100 N)
■ Nominale koppel (komt overeen met kracht)	12 Nm (360 N)
■ Nominale snelheid	0.16 m/s
■ Thermische beveiliging	140 °C
■ Maximumgewicht vleugel	1500 Kg
■ Maximumlengte vleugel	12 m
■ Max. aantal cycli/uur	15 (vleugel 6 meter)
■ Max. aantal opeenvolgende cycli	5
■ Afmetingen	335 x 203 x h 275
■ Gewicht	11.5 Kg
■ Max. stroom gebruikers 24 V	150 mA (de spanning kan ± 25% schommelen)
■ Uitgang knipperlicht	Voor knipperlichten op netspanning, maximumvermogen 40 W
■ Bedrijfstemperatuur	van -20 °C tot +50 °C
■ Werktijd	Instelbaar van 2.5 tot > 40 s., of van < 40 tot > 80 s. met TLM
■ Pauzetijd	Instelbaar van 5 tot > 80 s.
■ Decodering	"O-Code" / "FloR" / "TTS"; of Flo"; of "Smilo"
■ Ontvangstfrequentie	433.92 MHz
■ Gevoeligheid	beter dan 0,5 V
■ Ingangsimpedantie	52 ohm

## GEBRUIKSHANDLEIDING

(moet aan de gebruiker van de automatisering worden gegeven)

**BELANGRIJK** –Dit instructieblad bevat belangrijke informatie met betrekking tot de veiligheid; u dient alle instructies door te lezen alvorens het product in gebruik te nemen. Bewaar deze handleiding ook voor later gebruik.

### AANBEVELINGEN EN VOORZORGSMAATREGELEN VOOR HET GEBRUIK

Het is ten strengste verboden delen van de automatisering aan te raken terwijl de poort in beweging is!

- Alvorens de automatisering voor de eerste maal te gebruiken, dient u enige minuten uit te trekken om deze gebruikshandleiding, die u ontvangen heeft van degene die de automatisering geïnstalleerd heeft, door te lezen. Laat u door de installateur uitleggen welke risico's er zijn.

- Bewaar deze handleiding voor eventuele toekomstige twijfels en geef haar door aan een eventuele nieuwe eigenaar van de automatisering.

- Uw automatisering is een machine die uw instructies trouw uitvoert; een onverantwoordelijk en oneigenlijk gebruik ervan kan hem echter tot een gevaar maken. Zet de automatisering nooit in beweging indien er zich personen, dieren of voorwerpen in diens actieradius bevinden.

- **Kinderen:** deze automatiseringsinstallatie biedt een hoge graad van veiligheid, doordat ze met haar beveiligingssysteem de manoeuvre bij aanwezigheid van mensen of zaken onderbreekt. Bovendien garandeert de automatisering altijd een voorspelbare en veilige activering. In elk geval is het beter kinderen te verbieden om in de buurt van de automatisering te spelen. Om ongewenste activeringen van de automatisering te vermijden, de zenders niet onder handbereik van kinderen laten (de zender is geen speelgoed!).

- Controleer de automatisering regelmatig en kijk hierbij naar eventuele tekenen van slijtage, beschadigingen of onbalans. Stop het gebruik van de automatisering onmiddellijk als er onderhoud nodig blijkt te zijn.

- Controleer periodiek de werking van de fotocellen en laat minimaal eens in de 6 maanden de voorziene onderhoudscontroles uitvoeren.

- De fotocellen zijn geen veiligheidsinrichting, maar uitsluitend een hulpmiddel voor de veiligheid. De fotocellen zijn met uiterst betrouwbare technieken gebouwd maar kunnen, in extreme situaties, storingen vertonen of zelfs kapot gaan. **Let op!** – In bepaalde gevallen is het mogelijk dat het defect niet meteen zichtbaar is.

Het is ten strengste verboden te passeren terwijl de poort in beweging is!

- Zo gauw u een afwijkend gedrag van de automatisering bemerkt, dient u voor de veiligheid de elektrische stroomtoevoer af te koppelen. Probeer de automatisering niet in uw eentje te repareren maar roep de hulp van uw installateur in. In de tussentijd kan de installatie werken met handbediende *Opening* en *Sluiting*, door de reductiemotoren handmatig te ontgrendelen zoals elders in deze handleiding is beschreven.

- Na een stroomuitval zal de automatisering bij het terugkeren van de stroom de eerste aangestuurde manoeuvre op gereduceerde snelheid uitvoeren, onafhankelijk van de ingestelde snelheid.

- U dient de installatie en de programmerings- en instellingsparameters van de automatisering niet te veranderen, ook niet als u denkt dat u in staat bent om dit te doen: de verantwoordelijkheid berust bij degene die de automatisering geïnstalleerd heeft.

- De eindtest, de periodieke onderhoudswerkzaamheden en de eventuele reparatiewerkzaamheden dienen gedocumenteerd te worden door wie die uitvoert en de documenten dienen door de eigenaar van de installatie bewaard te worden.

- Als de automatisering niet meer gebruikt kan worden, dient u zich ervan te vergewissen dat de sloop ervan door gekwalificeerd personeel wordt uitgevoerd en dat het materiaal volgens de plaatselijk geldende voorschriften wordt hergebruikt of naar de afvalverwerking wordt gezonden.

### HANDMATIG VERGRENDELEN OF ONTGRENDELEN VAN DE REDUCTIEMOTOR

De reductiemotor is uitgerust met een mechanisch systeem dat het mogelijk maakt de poort handmatig te openen en te sluiten.

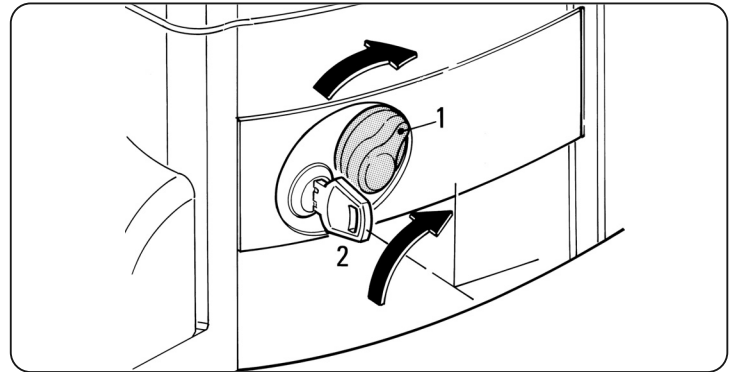
Deze handmatige handelingen moeten worden uitgevoerd in het geval dat de stroom uitvalt of bij storingen in de werking. In dit laatste geval kan het gebruik van het ontgrendelingsmechanisme ook nuttig zijn om te controleren of de storing van het mechanisme zelf afhangt (bijvoorbeeld niet goed vastgedraaid).

Om de reductiemotor handmatig te ontgrendelen, gebruikt u de bijgeleverde ontgrendelings sleutel en gaat u als volgt te werk:

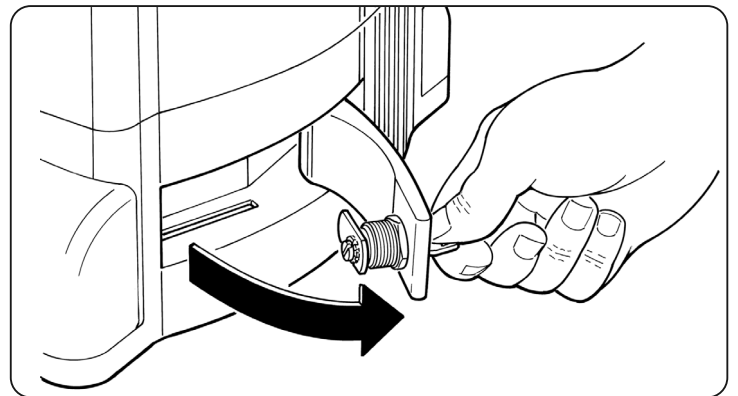
**01.** Draai de afdekking van het slot;

**02.** Steek de sleutel in de ontgrendelingspen;

**03.** Draai de sleutel 90° met de klok mee en trek de handgreep naar u toe;



**04.** Op dit punt is het mogelijk de vleugel van de poort met de hand in de gewenste positie te zetten.



**05.** Om de werking van de automatisering te herstellen, de handgreep sluiten, de sleutel tegen de klok in draaien op de ontgrendelingspen en de vleugel met de hand verplaatsen tot u een mechanisch geluid hoort dat aangeeft dat de vleugel vastzit op het sleepmechanisme.

**06.** Haal tot slot de sleutel uit de ontgrendelingspen en bewaar hem.



**EN - Technical documentation**

*Images*

**IT - Documentazione Tecnica**

*Immagini*

**FR - Documentation Technique**

*Images*

**ES - Documentación Técnica**

*Imágenes*

**DE - echnische Dokumentation**

*Bilder*

**PL - Dokumentacja Techniczna**

*Zdjęcia*

**NL - Technische documentatie**

*Afbeeldingen*

## CE DECLARATION OF CONFORMITY

**Note** - The contents of this declaration correspond to those of the last revision available of the official document, deposited at the registered offices of Nice S.p.a., before printing of this manual. The text herein has been re-edited for editorial purposes.

**Number:** 295/TH1500

**Revision:** 0

The undersigned, Lauro Buoro, in the role of Managing Director, declares under his sole responsibility, that the product:

**Manufacturer's Name:** NICE s.p.a.

**Address:** Via Pezza Alta 13, Z.I. Rustignè, 31046 Oderzo (TV) Italy

**Type:** 230 V ac electromechanical gearmotor with built-in control unit

**Models:** TH1500

**Accessories:** Radio control series FLO, FLOR, Smilo, Opera

Comply with the requirements of the EC directive:

- 98/37/EC (89/392/EEC amended); DIRECTIVE 98/37/EC OF THE EUROPEAN PARLIAMENT AND COUNCIL of 22 June 1998 regarding the approximation of member state legislation relating to machinery

As established in directive 98/37/EC, the above-mentioned product may not be started up unless the machine in which the product is incorporated has been identified and declared as conforming to directive 98/37/EC.

The product also conforms to the essential requirements stated in article 3 of the following EC directive, for the intended use of products:

- 1999/5/EC; DIRECTIVE 1999/5/EC OF THE EUROPEAN PARLIAMENT AND COUNCIL of 9 March 1999 regarding radio equipment and telecommunications terminal equipment and the mutual recognition of their conformity.

According to the following harmonised standards:

health protection standards: EN 50371:2002  
electrical safety: EN 60950-1:2006  
electromagnetic compatibility: EN 301 489-1V1.8.1:2008;  
EN 301 489-3V1.4.1:2002  
radio spectrum: EN 300220-2V2.1.2:2007

The product also complies with the requirements of the following EC directives:

- 2006/95/EEC (ex directive 73/23/EEC); DIRECTIVE 2006/95/EEC OF THE EUROPEAN PARLIAMENT AND COUNCIL of 12 December 2006 regarding the approximation of member state legislation relating to electrical material intended for use within specific voltage limits

According to following harmonised standard:

EN 60335-1:1994+A11:1995+A1:1996+A12:1996+A13:1998+A14:1998+A15:2000+A2:2000+A16:2001

- 2004/108/EEC (ex directive 89/336/EEC); DIRECTIVE 2004/108/EEC OF THE EUROPEAN PARLIAMENT AND COUNCIL of 15 December 2004 regarding the approximation of member state legislation relating to electromagnetic compatibility, repealing directive 89/336/EEC

According to the following harmonised standards:

EN 61000-6-2:2005; EN 61000-6-3:2001+A11:2004

The product also complies with the applicable parts of the following standards:

EN 60335-1:2002+A1:2004+A11:2004+A12:2006+ A2:2006,  
EN 60335-2-103:2003; EN 13241-1:2003; EN 12453:2002;  
EN 12445:2002; EN 12978:2003

Oderzo, 25 September 2008

**Lauro Buoro**  
(Managing director)



## DICHIARAZIONE CE DI CONFORMITÀ

**Nota** - Il contenuto di questa dichiarazione corrisponde a quanto dichiarato nell'ultima revisione disponibile, prima della stampa di questo manuale, del documento ufficiale depositato presso la sede di Nice Spa. Il presente testo è stato riadattato per motivi editoriali.

**Numero:** 295/TH1500

**Revisione:** 0

Il sottoscritto Lauro Buoro in qualità di Amministratore Delegato, dichiara sotto la propria responsabilità che il prodotto:

**Nome produttore:** NICE s.p.a.

**Indirizzo:** Via Pezza Alta 13, Z.I. Rustignè, 31046 Oderzo (TV) Italia

**Tipo:** Motoriduttore elettromeccanico 230Va.c. con centrale incorporata

**Modelli:** TH1500

**Accessori:** Radiocomandi serie FLO, FLOR, Smilo, Opera

Risulta conforme a quanto previsto dalle seguenti direttive comunitarie:

- 98/37/CE (89/392/CEE modificata) DIRETTIVA 98/37/CE DEL PARLAMENTO EUROPEO E DEL CONSIGLIO del 22 giugno 1998 concernente il ravvicinamento delle legislazioni degli Stati membri relative alle macchine.

Come previsto dalla direttiva 98/37/CE si avverte che non è consentita la messa in servizio del prodotto sopra indicato finché la macchina, in cui il prodotto è incorporato, non sia stata identificata e dichiarata conforme alla direttiva 98/37/CE.

Inoltre risulta conforme ai requisiti essenziali richiesti dall'articolo 3 dalla seguente direttiva comunitaria, per l'uso al quale i prodotti sono destinati:

- 1999/5/CE DIRETTIVA 1999/5/CE DEL PARLAMENTO EUROPEO E DEL CONSIGLIO del 9 marzo 1999 riguardante le apparecchiature radio e le apparecchiature terminali di telecomunicazione e il reciproco riconoscimento della loro conformità.

Secondo le seguenti norme armonizzate:

protezione della salute: EN 50371:2002;  
sicurezza elettrica: EN 60950-1:2006;  
compatibilità elettromagnetica: EN 301 489-1V1.8.1:2008;  
EN 301 489-3V1.4.1:2002  
spettro radio: EN 300220-2V2.1.2:2007

Inoltre il prodotto risulta conforme a quanto previsto dalle seguenti direttive comunitarie:

- 2006/95/CEE(ex direttiva 73/23/CE) DIRETTIVA 2006/95/CE DEL PARLAMENTO EUROPEO E DEL CONSIGLIO del 12 dicembre 2006 concernente il ravvicinamento delle legislazioni degli Stati membri relative al materiale elettrico destinato ad essere adoperato entro taluni limiti di tensione

Secondo la seguente norma armonizzata:

EN 60335-1:1994+A11:1995+A1:1996+A12:1996+A13:1998+A14:1998+A15:2000+A2:2000+A16:2001

- 2004/108/CEE(ex direttiva 89/336/CEE) DIRETTIVA 2004/108/CE DEL PARLAMENTO EUROPEO E DEL CONSIGLIO del 15 dicembre 2004 concernente il ravvicinamento delle legislazioni degli Stati membri relative alla compatibilità elettromagnetica e che abroga la direttiva 89/336/CEE

Secondo le seguenti norme armonizzate: EN 61000-6-2:2005;

EN 61000-6-3:2001+A11:2004

Inoltre risulta conforme, limitatamente per le parti applicabili, alle seguenti norme:

EN 60335-1:2002+A1:2004+A11:2004+A12:2006+ A2:2006,  
EN 60335-2-103:2003; EN 13241-1:2003; EN 12453:2002;  
EN 12445:2002; EN 12978:2003

Oderzo, 25 settembre 2008

**Lauro Buoro**  
(Amministratore Delegato)





## DÉCLARATION CE DE CONFORMITÉ

**Note** - Le contenu de cette déclaration de conformité correspond à ce qui est déclaré dans la dernière révision disponible du document officiel, déposé au siège de Nice S.p.a., avant l'impression de ce guide. Le texte ici présent a été réadapté pour des raisons d'édition.

**Numéro** : 295/TH1500

**Révision** : 0

Je soussigné Lauro Buoro en qualité d'Administrateur Délégué, déclare sous mon entière responsabilité que le produit :

**Nom du producteur** : NICE s.p.a.

**Adresse** : Via Pezza Alta 13, 31046 Z.I. Rustignè, Oderzo (TV) Italie

**Type** : Opérateur électromécanique 230Vca avec logique de commande incorporée

**Modèles** : TH1500

**Accessoires** : Radiocommandes série FLO, FLOR, Smilo, Opera

Est conforme aux prescriptions des directives communautaires :

- 98/37/CE (89/392/CEE modifiée) DIRECTIVE 98/37/CE DU PARLEMENT EUROPÉEN ET DU CONSEIL du 22 juin 1998 concernant le rapprochement des législations des États membres relatives aux machines.

Comme le prévoit la directive 98/37/CE, nous avertissons que la mise en service du produit susmentionné n'est pas autorisée tant que la machine dans laquelle le produit est incorporé n'a pas été identifiée et déclarée conforme à la directive 98/37/CE.

Il est conforme également aux critères essentiels requis par l'article 3 de la directive communautaire suivante, pour l'usage auquel les produits sont destinés :

- 1999/5/CE DIRECTIVE 1999/5/CE DU PARLEMENT EUROPÉEN ET DU CONSEIL du 9 mars 1999 concernant les équipements hertziens et les équipements terminaux de télécommunication et la reconnaissance mutuelle de leur conformité.

Selon les normes harmonisées suivantes :

protection de la santé : EN 50371:2002 ;  
sécurité électrique : EN 60950-1:2006 ;  
compatibilité électromagnétique : EN 301 489-1V1.8.1:2008 ;  
EN 301 489-3V1.4.1:2002.  
spectre radio : EN 300220-2V2.1.2:2007

Le produit est aussi conforme à ce qui est prévu par les directives communautaires suivantes :

- 2006/95/CEE (ex directive 73/23/CE), DIRECTIVE 2006/95/CE DU PARLEMENT EUROPÉEN ET DU CONSEIL du 12 décembre 2006 concernant le rapprochement des législations des États membres relatives au matériel électrique destiné à être employé dans certaines limites de tension

Selon la norme harmonisée suivante :

EN 60335-1:1994+A11:1995+A1:1996+A12:1996+A13:1998+A14:1998+A15:2000+A2:2000+A16:2001

- 2004/108/CEE (ex directive 89/336/CEE), DIRECTIVE 2004/108/CE DU PARLEMENT EUROPÉEN ET DU CONSEIL du 15 décembre 2004 concernant le rapprochement des législations des États membres relatives à la compatibilité électromagnétique et abrogeant la directive 89/336/CEE

Selon les normes harmonisées suivantes : EN 61000-6-2:2005 ; EN 61000-6-3:2001+A11:2004

En outre, il est conforme, uniquement en ce qui concerne les parties applicables, aux normes suivantes :

EN 60335-1:2002+A1:2004+A11:2004+A12:2006+ A2:2006,  
EN 60335-2-103:2003, EN 13241-1:2003; EN 12453:2002;  
EN 12445:2002; EN 12978:2003

Oderzo, le 25 septembre 2008

Lauro Buoro  
(Administrateur Délégué)



## DECLARACIÓN DE CONFORMIDAD CE

**Nota** - El contenido de esta declaración corresponde a aquello declarado en la última revisión disponible, antes de la impresión de este manual, en el documento oficial, depositado en la sede de Nice S.p.a. En este manual, el texto ha sido readaptado por motivos de impresión.

**Número**: 295/TH1500

**Revisión**: 0

El suscrito Lauro Buoro, en su carácter de Administrador Delegado, declara bajo su responsabilidad que el producto:

**Nombre del fabricante**: NICE s.p.a.

**Dirección**: Via Pezza Alta 13, Z.I. Rustignè, 31046 - Oderzo (TV) Italia

**Tipo**: Motorreductor electromecánico 230Vca con central incorporada

**Modelos**: TH1500

**Accesorios**: Radiomandos serie FLO, FLOR, Smilo, Opera

Responde a las prescripciones de la directiva comunitaria:

- 98/37/CE (89/392/CEE modificada); DIRECTIVA 98/37/CE DEL PARLAMENTO EUROPEO Y DEL CONSEJO del 22 de junio de 1998 acerca de la aproximación de las legislaciones de los Estados miembros relativas a las máquinas.

Tal como previsto por la directiva 98/37/CE se advierte que está prohibido poner en servicio el producto antedicho hasta que la máquina en la que está incorporado no sea identificada y declarada conforme a la directiva 98/37/CE.

Además, es conforme a los requisitos esenciales previstos por el artículo 3 de la siguiente directiva comunitaria, para el uso al cual los productos han sido destinados:

- 1999/5/CE DIRECTIVA 1999/5/CE DEL PARLAMENTO EUROPEO Y DEL CONSEJO del 9 de marzo de 1999 acerca de los equipos de radio y los equipos terminales de telecomunicación y el recíproco reconocimiento de su conformidad.

Según las siguientes normas armonizadas:

protección de la salud: EN 50371:2002;  
seguridad eléctrica : EN 60950-1:2006;  
compatibilidad electromagnética: EN 301 489-1V1.8.1:2008;  
EN 301 489-3V1.4.1:2002  
espectro radioeléctrico : EN 300220-2V2.1.2:2007

Además el producto es conforme a las prescripciones de las siguientes directivas comunitarias:

- 2006/95/CEE (ex Directiva 73/23/CE) DIRECTIVA 2006/95/CE DEL PARLAMENTO EUROPEO Y DEL CONSEJO del 12 de diciembre de 2006 acerca de la aproximación de las legislaciones de los Estados miembros relativas al material eléctrico destinado a ser utilizado dentro de dichos límites de tensión

Según la siguiente norma armonizada:

EN 60335-1:1994+A11:1995+A1:1996+A12:1996+A13:1998+A14:1998+A15:2000+A2:2000+A16:2001

- 2004/108/CEE (ex Directiva 89/336/CEE) DIRECTIVA 2004/108/CE DEL PARLAMENTO EUROPEO Y DEL CONSEJO del 15 de diciembre de 2004 acerca de la aproximación de las legislaciones de los Estados miembros relativas a la compatibilidad electromagnética y que abroga la Directiva 89/336/CEE

Según las siguientes normas armonizadas: EN 61000-6-2:2005, EN 61000-6-3:2001+A11:2004

También es conforme, sólo para las piezas aplicables, a las siguientes normas:

EN 60335-1:2002+A1:2004+A11:2004+A12:2006+ A2:2006,  
EN 60335-2-103:2003, EN 13241-1:2003; EN 12453:2002;  
EN 12445:2002; EN 12978:2003

Oderzo, 25 de septiembre 2008

Lauro Buoro  
(Administrador delegado)



## EG-KONFORMITÄTSEKTLÄRUNG

**Anmerkung** - Der Inhalt dieser Erklärung entspricht dem in der vor dem Druck dieser Anleitung verfügbaren, letzten Revision, der offiziellen Unterlage, die sich im Firmensitz der Nice S.p.a. befindet. Dieser Text wurde aus Herausgebergründen überarbeitet.

Nr.: 295/TH1500

Revision: 0

Der Unterzeichnende Lauro Buoro, Geschäftsführer, erklärt unter eigener Verantwortung, dass das Produkt:

**Herstellername:** NICE s.p.a.  
**Adresse:** Via Pezza Alta 13, Z.I. Rustignè, 31046 Oderzo (TV) Italien  
**Typ:** Elektromechanischer Antrieb 230Vac, mit integrierter Steuerung  
**Modell:** TH1500  
**Zubehör:** Funksteuerungen Serie FLO, FLOR, Smilo, Opera

den folgenden europäischen Richtlinien entspricht:

- 98/37/EG (89/392/EWG geändert) RICHTLINIE 98/37/EG DES EUROPAPARLAMENTS UND DES EUROPARATES vom 22. Juni 1998 für die Annäherung der Gesetzgebung der Mitgliedstaaten bezüglich Maschinen.

Wie von der Richtlinie 98/37/EG vorgesehen, wird darauf hingewiesen, dass die Inbetriebsetzung des oben genannten Produktes erst gestattet ist, nachdem die Maschine, in die das Produkt eingegliedert ist, als konform mit der Richtlinie 98/37/EG gekennzeichnet und erklärt worden ist.

Weiterhin ist das Produkt konform mit den wichtigsten Anforderungen des Artikels 3 folgender gemeinschaftlicher Richtlinie, was den Einsatzzweck der Produkte betrifft:

- 1995/5/EG - RICHTLINIE 1999/5/EG DES EUROPAPARLAMENTS UND DES RATES vom 9. März 1999, was die Funkapparaturen und Terminals für Fernmeldewesen und die gegenseitige Anerkennung ihrer Konformität betrifft.

Gemäß den folgenden harmonisierten Normen:

Gesundheitsschutz: EN 50371-2002;  
elektrische Sicherheit: EN 60950-1:2006;  
elektromagnetische Verträglichkeit: EN 301 489-1V1.8.1:2008;  
EN 301 489-3V1.4.1:2002  
Funkspektrum: EN 300220-2V2.1.2:2007

Außerdem ist das Produkt konform, was die Vorschriften der folgenden Europäischen Richtlinien betrifft:

- 2006/95/EWG: RICHTLINIE 73/23/EWG RICHTLINIE 2006/95/EG DES EUROPAPARLAMENTS und DES RATES vom 12. Dezember 2006 bezüglich der Annäherung der Gesetzgebungen der Mitgliedsstaaten, was das elektrische Material betrifft, das innerhalb bestimmter Spannungsgrenzen zu verwenden ist.

Gemäß folgender harmonisierter Normen:

EN 60335-1:1994+A11:1995+A1:1996+A12:1996+A13:1998+A14:1998+A15:2000+A2:2000+A16:2001

- 2004/108/EWG: RICHTLINIE 89/336/EWG RICHTLINIE 2004/108/EG DES EUROPAPARLAMENTS und DES RATES vom 15. Dezember 2004 bezüglich der Annäherung der Gesetzgebungen der Mitgliedsstaaten, was die elektromagnetische Kompatibilität betrifft, und die die Richtlinie 89/336/EWG ersetzen.

Gemäß den folgenden harmonisierten Normen: EN 61000-6-2:2005; EN 61000-6-3:2001+A11:2004

Ist außerdem, nur was die anwendbaren Teile betrifft, mit folgenden Normen konform:

EN 60335-1:2002+A1:2004+A11:2004+A12:2006+ A2:2006,  
EN 60335-2-103:2003, EN 13241-1:2003; EN 12453:2002;  
EN 12445:2002; EN 12978:2003

Oderzo, 25. September 2008

Lauro Buoro  
(Geschäftsführer)



## DEKLARACJA ZGODNOŚCI CE

**Uwaga** - Zawartość niniejszej deklaracji odpowiada oświadczeniom znajdującym się w dokumencie urzędowym, złożonym w siedzibie firmy Nice S.p.a., a w szczególności w ostatniej korekcie dostępnej przed wydrukowaniem tej instrukcji. Tekst w niej zawarty został dostosowany w celach wydawniczych.

Numer: 295/TH1500

Wersja: 0

Niżej podpisany Lauro Buoro w charakterze Członka Zarządu Spółki, oświadcza na własną odpowiedzialność, że produkt:

**Nazwa producenta:** NICE s.p.a.  
**Adres:** Via Pezza Alta 13, Z.I. Rustignè 31046 - Oderzo (TV) Włochy,  
**Typ:** Motoreduktor elektromechaniczny 230Vpp z wbudowaną centralą  
**Modele:** TH1500  
**Akcesoria:** Piloty z serii FLO, FLOR, Smilo, Opera

Jest zgodny z zaleceniami niniejszej dyrektywy europejskiej:

- 98/37/WE (zmodyfikowana 89/392/EWG) DYREKTYWA 98/37/WE PARLAMENTU EUROPEJSKIEGO I RADY z dnia 22 czerwca 1998 roku, w sprawie zbliżenia legislacyjnego krajów członkowskich dotycząca maszyn.

Jak przewidziano w dyrektywie 98/37/WE ostrzega się, że nie jest dozwolone wprowadzanie urządzenia wymienionego wyżej do eksploatacji, dopóki producent maszyny, w której urządzenie zostanie wbudowane, nie wykona identyfikacji i deklaracji zgodnie z dyrektywą 98/37/WE.

Ponadto jest zgodne z podstawowymi wymogami artykułu 3 niżej zacytowanej dyrektywy europejskiej, podczas użytku, do którego te urządzenia są przeznaczone:

- 1999/5/WE DYREKTYWA 1999/5/WE PARLAMENTU EUROPEJSKIEGO I RADY z dnia 9 marca 1999 roku w sprawie urządzeń radiowych i końcowych urządzeń telekomunikacyjnych oraz wzajemnego uznawania ich zgodności.

Zgodnie z następującymi normami zharmonizowanymi:

ochrona zdrowia: EN 50371:2002;  
bezpieczeństwo elektryczne: EN 60950-1:2006;  
kompatybilność elektromagnetyczna: EN 301 489-1V1.6.1:2005;  
EN 301 489-3V1.4.1:2002  
widmo radiowe: EN 300220-2V2.1.2:2007

Ponadto urządzenie jest zgodne z założeniami następujących dyrektyw unijnych:

- 2006/95/EWG(ex dyrektywa 73/23/WE) DYREKTYWA 2006/95/WE PARLAMENTU EUROPEJSKIEGO I RADY z dnia 12 grudnia 2006 roku dotycząca zbliżenia legislacyjnego krajów członkowskich, w odniesieniu do materiałów elektrycznych przeznaczonych do pracy w niektórych ograniczeniach napięciowych

Zgodnie z następującą normą zharmonizowaną:

EN 60335-1:1994+A11:1995+A1:1996+A12:1996+A13:1998+A14:1998+A15:2000+A2:2000+A16:2001

- 2004/108/EWG(ex dyrektywa 89/336/EWG) DYREKTYWA 2004/108/WE PARLAMENTU EUROPEJSKIEGO I RADY z dnia 15 grudnia 2004 roku, dotycząca zbliżenia legislacyjnego krajów członkowskich w sprawie kompatybilności elektromagnetycznej i która uchyla dyrektywę 89/336/EWG

Zgodnie z następującymi normami zharmonizowanymi:

EN 61000-6-2:2005; EN 61000-6-3:2001+A11:2004

Ponadto jest zgodne w sposób ograniczony dla zastosowanych elementów z następującymi normami:

EN 60335-1:2002+A1:2004+A11:2004+A12:2006+ A2:2006,  
EN 60335-2-103:2003, EN 13241-1:2003; EN 12453:2002;  
EN 12445:2002; EN 12978:2003

Oderzo, dnia 25 Wrzesień 2008 roku

Lauro Buoro  
(Członek Zarządu)



## EG-VERKLARING VAN OVEREENSTEMMING

**Opmerking** - de inhoud van deze verklaring stemt overeen met hetgeen verklaard is in de laatste revisie die beschikbaar was voor het ter perse gaan van deze hand-leiding, van het officiële document dat is neergelegd bij de vestiging van Nice Spa. Deze tekst werd om uitgeversredenen heraanangepast.

**Nummer:** 295/TH1500

**Herziening:** 0

Ondergetekende Lauro Buoro in diens hoedanigheid van Gedelegeerd Bestuurder, verklaart onder diens verantwoordelijkheid dat het product:

**Naam fabrikant:** NICE s.p.a.

**Adres:** Via Pezza Alta 13, Z.I. Rustignè, 31046 Oderzo (TV) Italië

**Type:** Elektromechanische reductiemotor 230Va.c. met ingebouwde besturingseenheid

**Modellen:** TH1500

**Accessoires:** Radiografische bedieningen serie FLO, FLOR, Smilo, Opera

Blijkt conform de voorschriften van de Europese richtlijn:

- 98/37/EG (89/392/EEG gewijzigd) RICHTLIJN 98/37/EG VAN HET EUROPESE PARLEMENT EN VAN DE RAAD d.d. 22 juni 1998 betreffende harmonisering in de wetgeving van de Lidstaten met betrekking tot machines.

Zoals voorzien in de richtlijn 98/37/EG waarschuwt men dat het niet toegestaan is bovenstaand product in bedrijf te stellen wanneer de machine waarin dit product is ingebouwd niet geïdentificeerd is en conform de richtlijn 98/37/EG verklaard is.

Is bovendien conform de fundamentele vereisten opgelegd door artikel 3 van de volgende communautaire richtlijn, voor het gebruik waarvoor de producten bestemd zijn:

- 1999/5/EG RICHTLIJN 1999/5/EG VAN HET EUROPESE PARLEMENT EN VAN DE RAAD van 9 maart 1999 met betrekking tot radioapparatuur en eindtelecommunicatieapparatuur en de wederzijdse erkenning van hun conformiteit.

Volgens de volgende geharmoniseerde normen:

bescherming van de gezondheid: EN 50371:2002;

elektrische veiligheid: EN 60950-1:2006;

elektromagnetische compatibiliteit: EN 301 489-1V1.8.1:2008;

EN 301 489-3V1.4.1:2002

radiospectrum: EN 300220-2V2.1.2:2007

Bovendien voldoet het product aan hetgeen voorzien wordt door de volgende communautaire richtlijnen:

- 2006/95/EEG (ex richtlijn 73/23/EG) RICHTLIJN 2006/95/EG VAN HET EUROPESE PARLEMENT EN DE RAAD van 12 december 2006 met betrekking tot de onderlinge aanpassing van de wetgevingen van de Lidstaten met betrekking tot elektrisch materiaal dat bestemd is om binnen bepaalde spanningslimieten gebruikt te worden

Volgens de volgende geharmoniseerde norm:

EN 60335-1:1994+A11:1995+A1:1996+A12:1996+A13:1998+A14:

1998+A15:2000+A2:2000+A16:2001

- 2004/108/EEG(ex richtlijn 89/336/EEG) RICHTLIJN 2004/108/EG VAN HET EUROPESE PARLEMENT EN DE RAAD van 15 december 2004 met betrekking tot de onderlinge aanpassing van de wetgevingen van de Lidstaten met betrekking tot de elektromagnetische compatibiliteit waarmee de richtlijn 89/336/EEG wordt afgeschaft

Volgens de volgende geharmoniseerde normen: EN 61000-6-2:2005;

EN 61000-6-3:2001+A11:2004

En daarnaast, beperkt tot de van toepassing zijnde onderdelen, voldoet aan de volgende normen:

EN 60335-1:2002+A1:2004+A11:2004+A12:2006+ A2:2006,

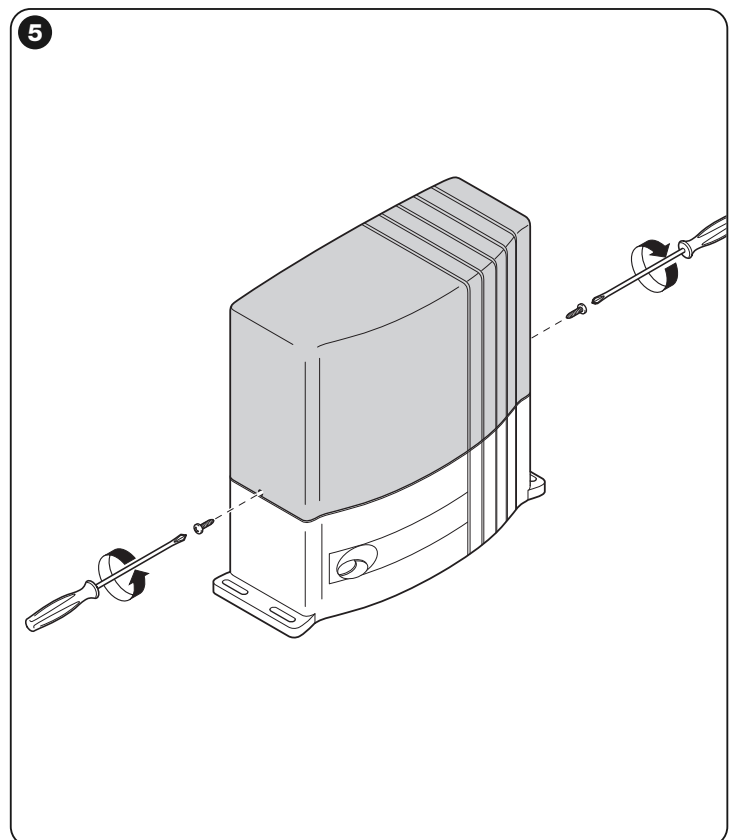
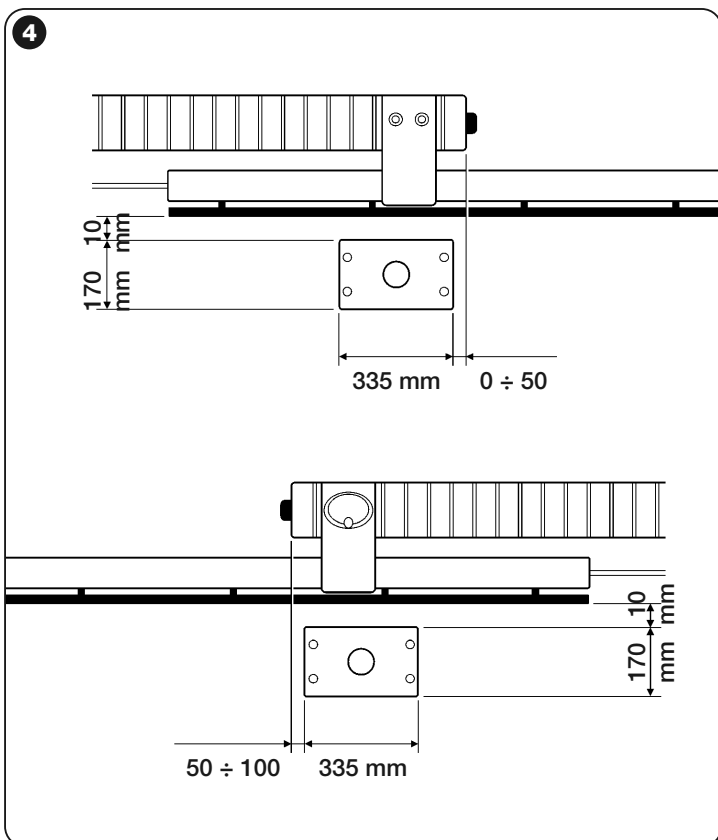
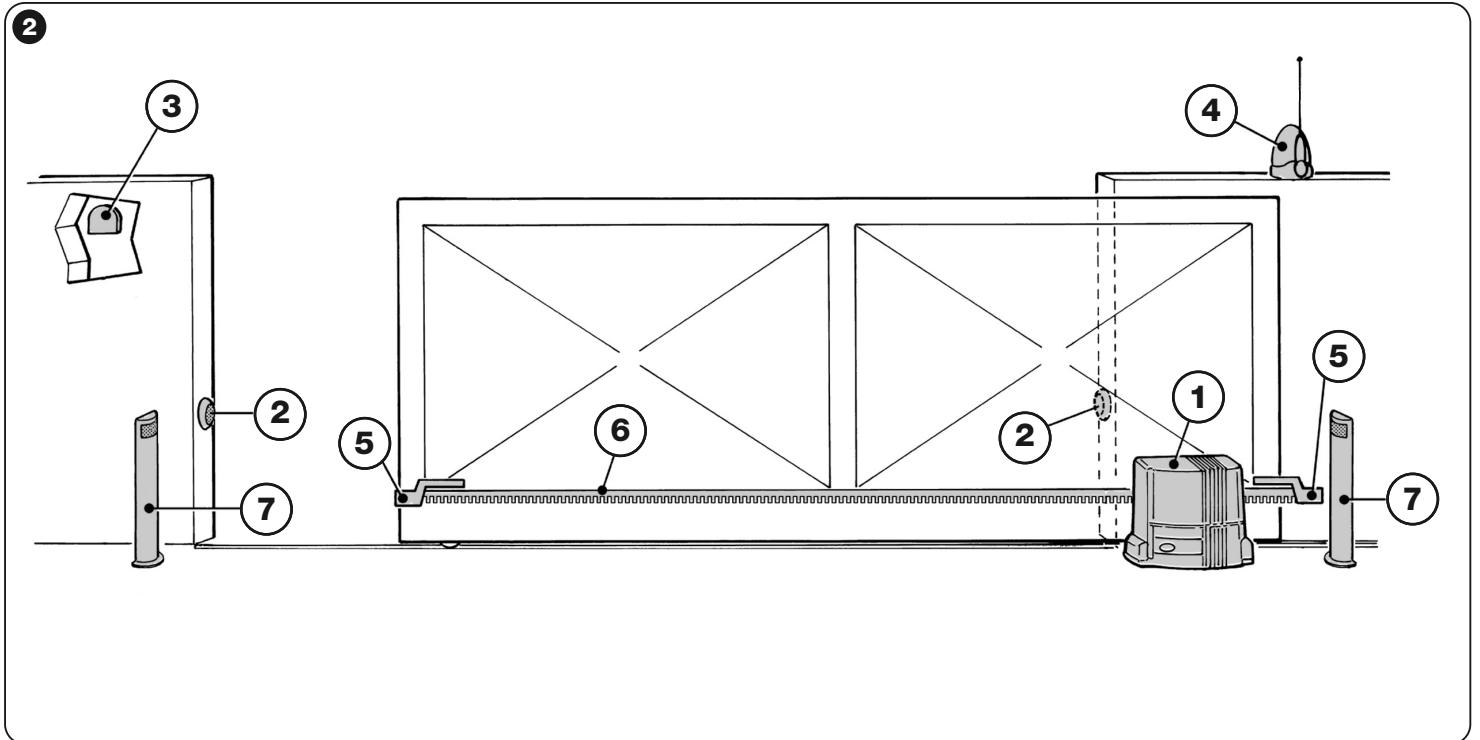
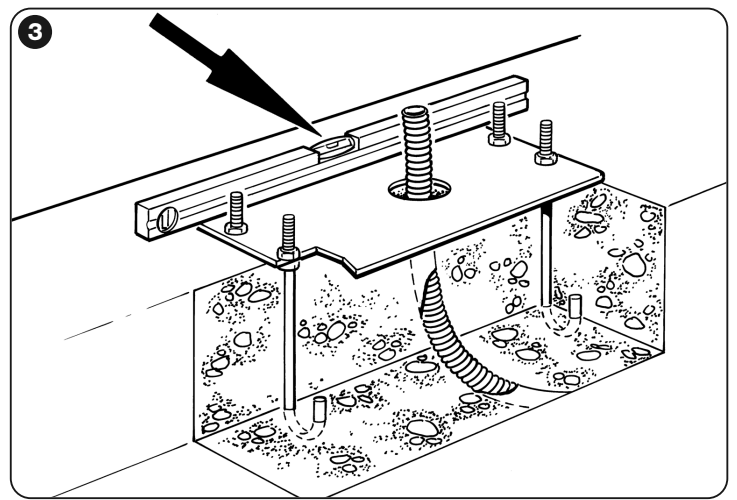
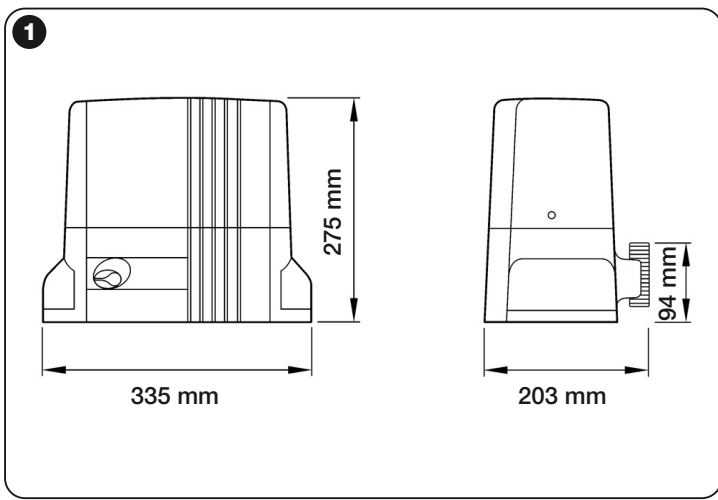
EN 60335-2-103:2003, EN 13241-1:2003; EN 12453:2002;

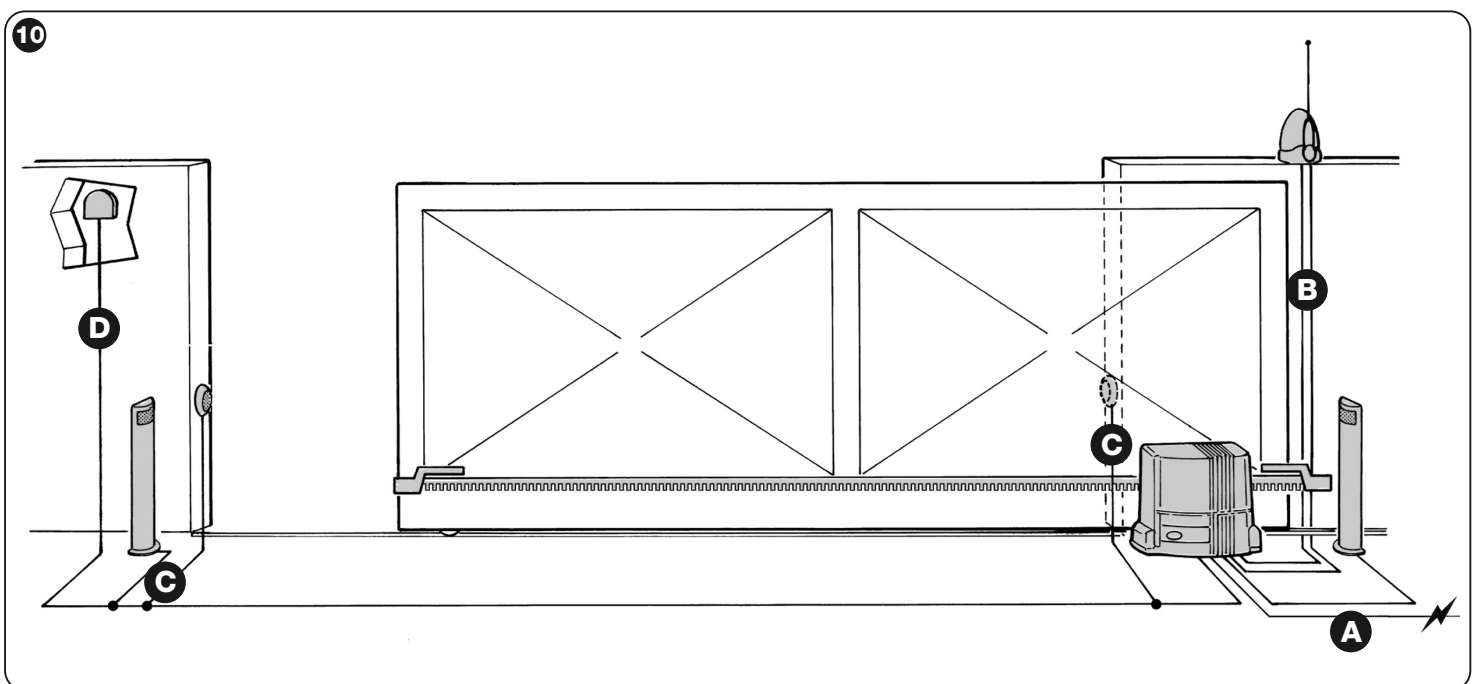
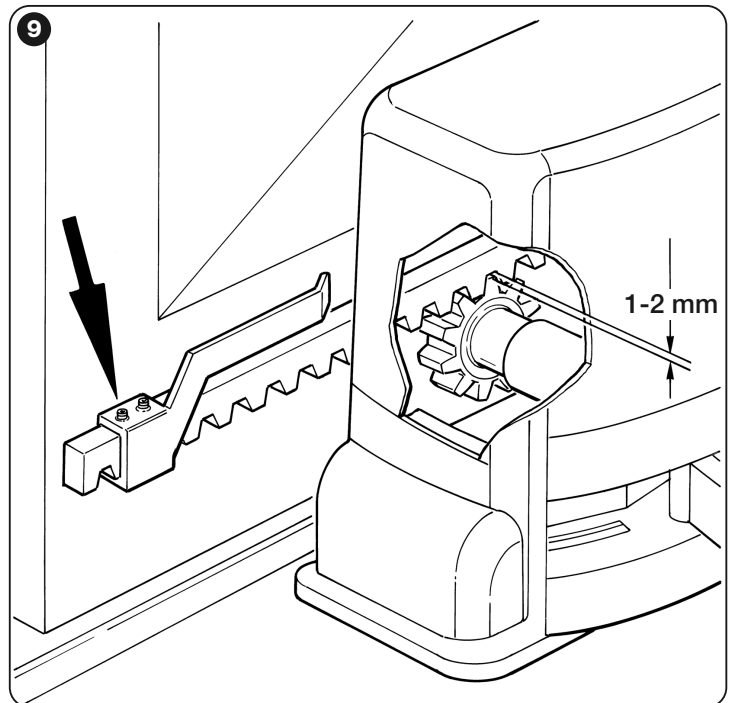
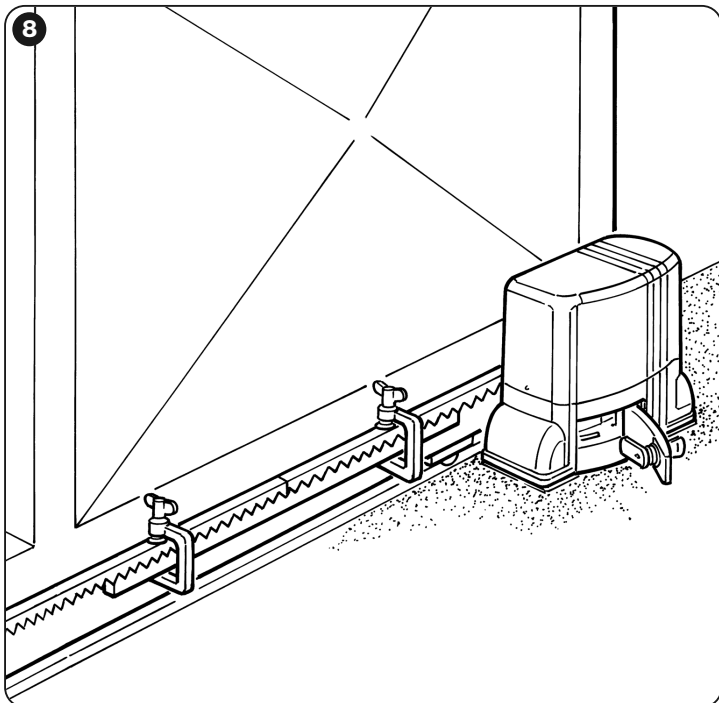
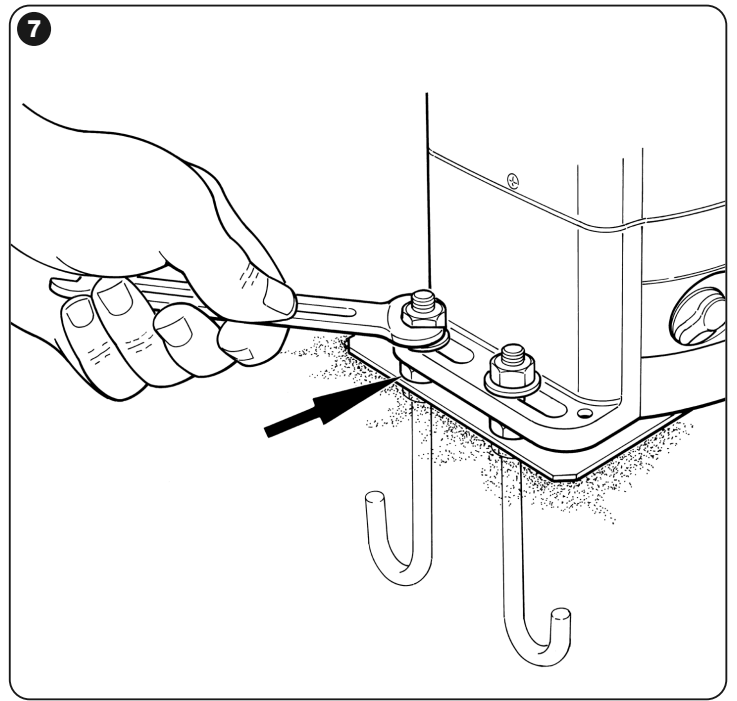
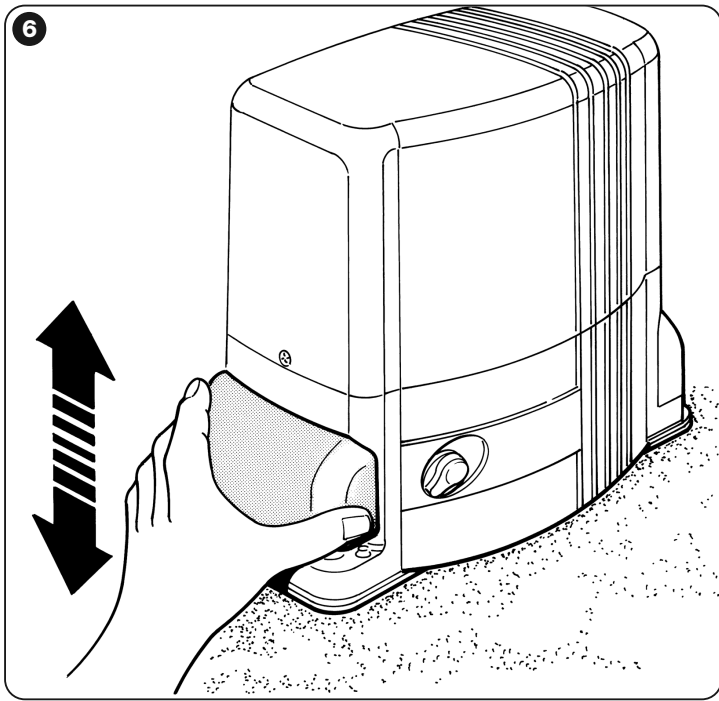
EN 12445:2002; EN 12978:2003

Oderzo, 25 september 2008

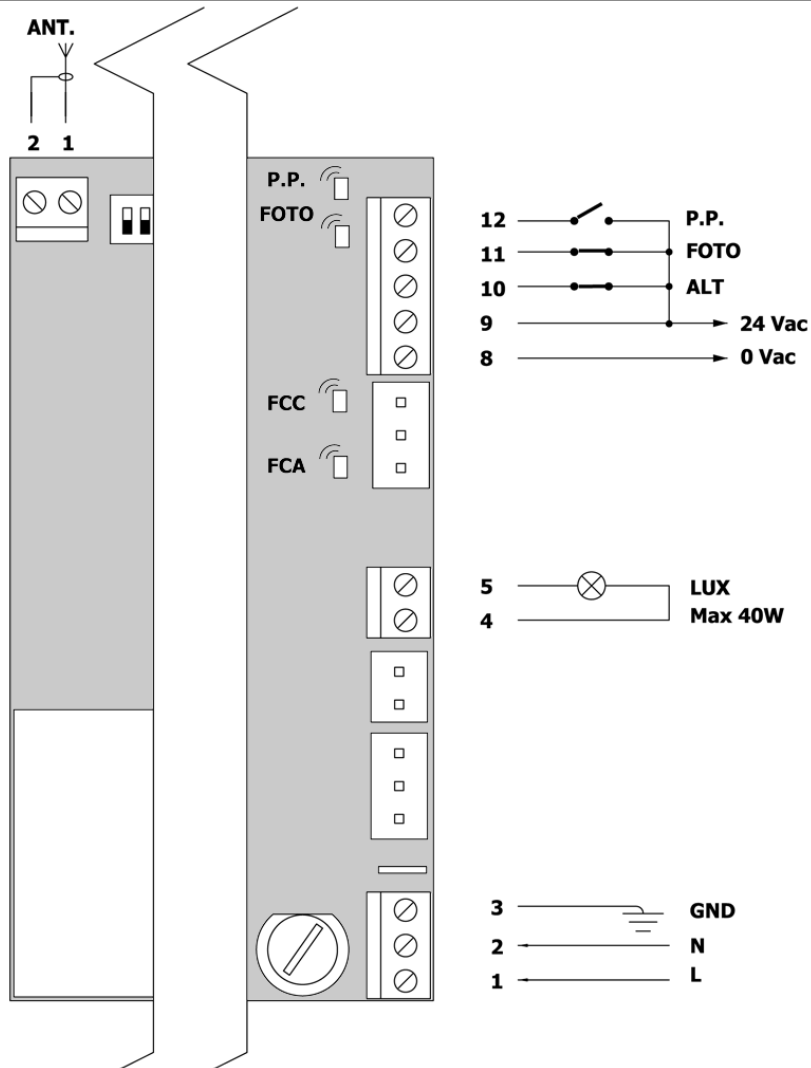
**Lauro Buoro**  
(Gedelegeerd Bestuurder)



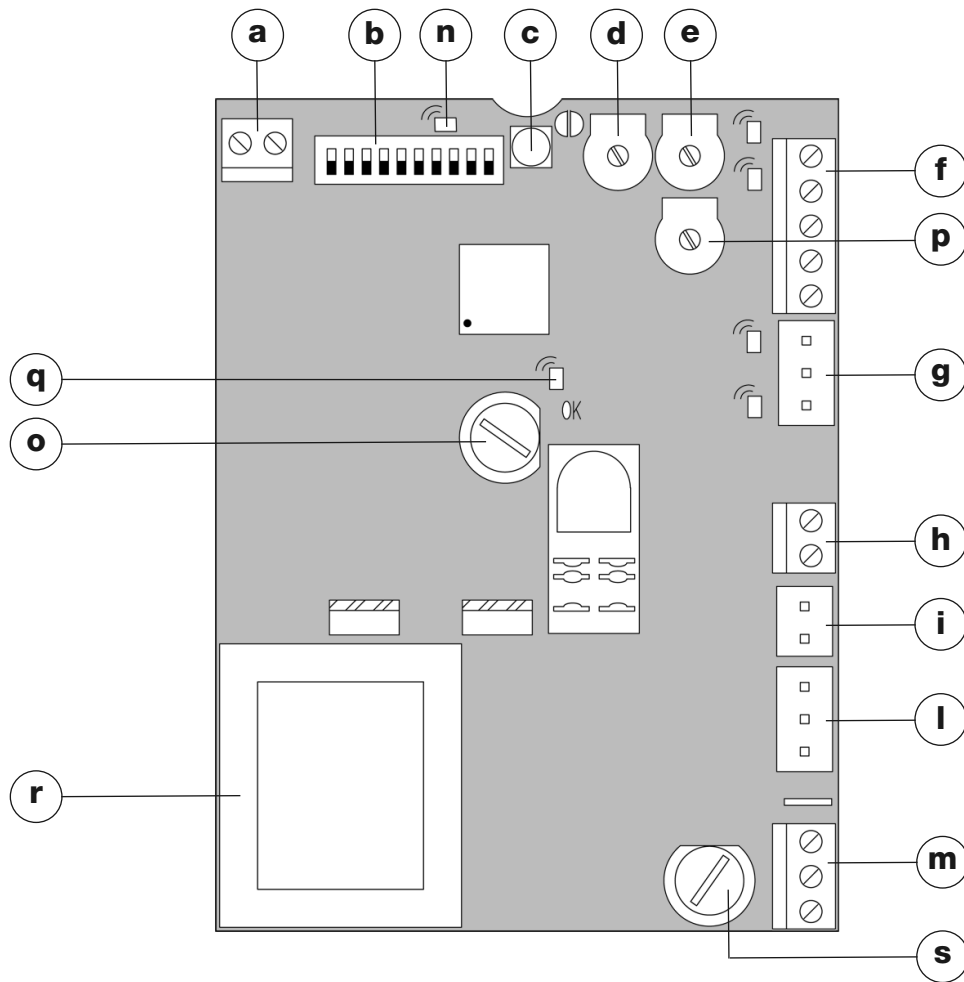




10a



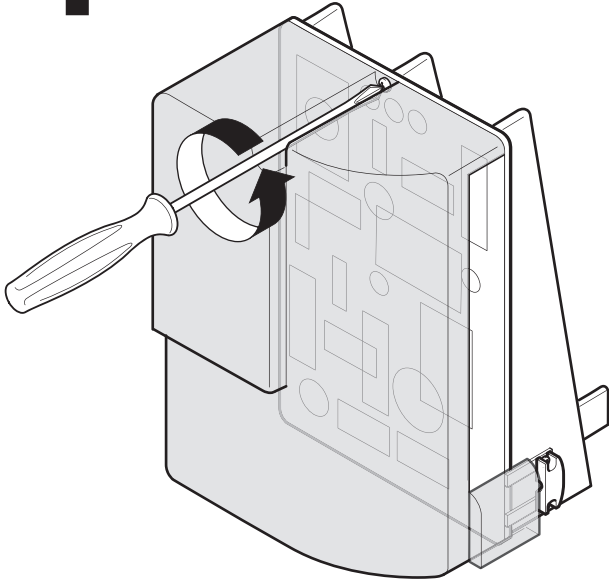
11



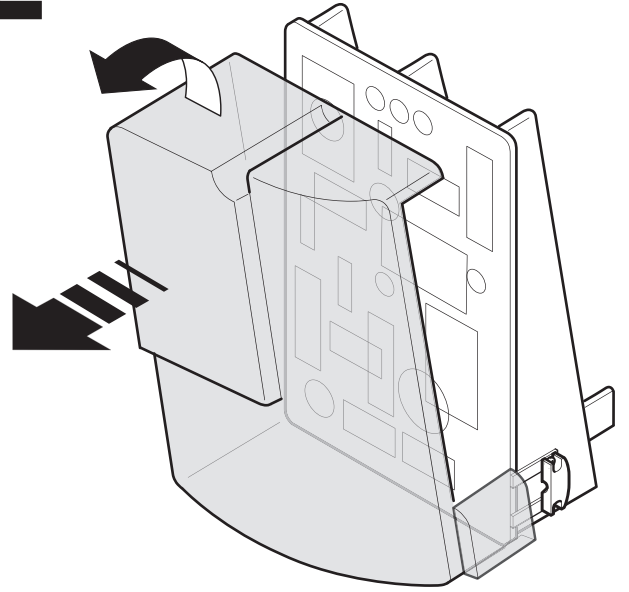


12

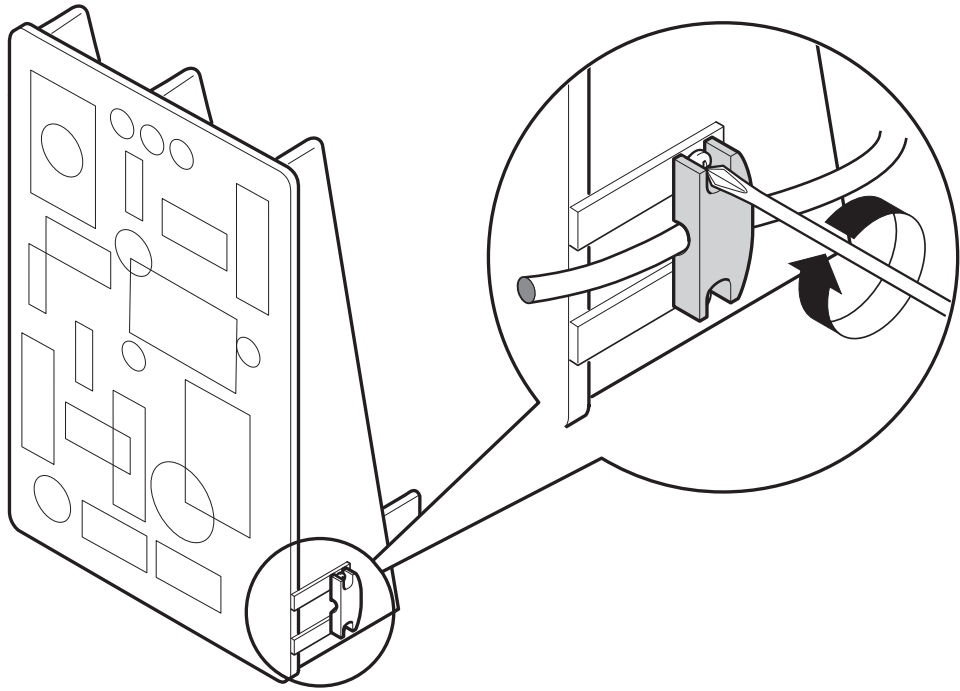
1



2



13





Nice

#### Headquarters

##### Nice SpA

Oderzo TV Italia  
Ph. +39.0422.85.38.38  
Fax +39.0422.85.35.85  
info@niceforyou.com

##### Nice in Italy

##### Nice Padova

Sarmeola di Rubano PD Italia  
Ph. +39.049.89.78.93.2  
Fax +39.049.89.73.85.2  
infopd@niceforyou.com

##### Nice Roma

Roma RM Italia  
Ph. +39.06.72.67.17.61  
Fax +39.06.72.67.55.20  
inforoma@niceforyou.com

#### Nice Worldwide

##### Nice France

Buchelay France  
Ph. +33.(0)1.30.33.95.95  
Fax +33.(0)1.30.33.95.96  
info@fr.niceforyou.com

##### Nice France Sud

Aubagne France  
Ph. +33.(0)4.42.62.42.52  
Fax. +33.(0)4.42.62.42.50  
infomarseille@fr.niceforyou.com

##### Nice France Rhône Alpes

Decines Charpieu France  
Ph. +33.(0)4.78.26.56.53  
Fax +33.(0)4.78.26.57.53  
infoyon@fr.niceforyou.com

##### Nice Belgium

Leuven (Heverlee) Belgium  
Ph. +32.(0)16.38.69.00  
Fax +32.(0)16.38.69.01  
info@be.niceforyou.com

##### Nice Deutschland

Gelnhausen Deutschland  
Ph. +49.(0)6051.91.520  
Fax +49.(0)6051.91.52.119  
info@de.niceforyou.com

#### Nice España Madrid

Mostoles Madrid España  
Ph. +34.(0)9.16.16.33.00  
Fax +34.(0)9.16.16.30.10  
info@es.niceforyou.com

#### Nice España Barcelona

Sant Quirze del Valles  
Barcelona España  
Ph. +34.(0)9.37.84.77.75  
Fax +34.(0)9.37.84.77.72  
info@es.niceforyou.com

#### Nice Polska

Pruszków Polska  
Ph. +48.(022).759.40.00  
Fax +48.(022).759.40.22  
info@pl.niceforyou.com

#### Nice Portugal

Mem Martins Portugal  
Ph. +351.21.922.82.10  
Fax +351.21.922.82.19  
info@pt.niceforyou.com

#### Nice Romania

Cluj Napoca Romania  
Ph./Fax +40.(0)264.453.127  
info@ro.niceforyou.com

#### Nice Turkey

Kadikoy Istanbul Turkey  
Ph. +90.216.456.34.97  
Fax +90.216.455.78.29  
info@tr.niceforyou.com

#### Nice UK

Sutton in Ashfield  
United Kingdom  
Ph. +44.16.23.55.00.86  
Fax +44.16.23.55.05.49  
info@uk.niceforyou.com

#### Nice Australia

Wetherill Park Australia  
Ph. +61.(0)2.96.04.25.70  
Fax +61.(0)2.96.04.25.73  
info@au.niceforyou.com

#### Nice China

Shanghai P. R. China  
Ph. +86.21.575.701.46/45  
Fax +86.21.575.701.44  
info@cn.niceforyou.com

#### Nice USA

Jacksonville Florida USA  
Ph. +1.904.786.7133  
Fax +1.904.786.7640  
info@us.niceforyou.com