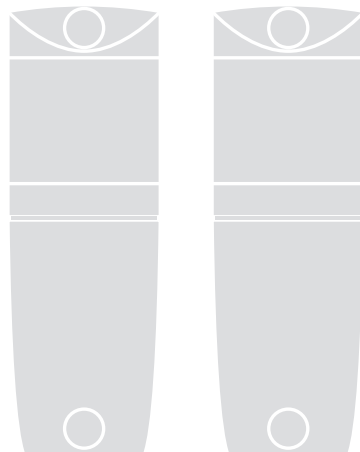


FT210

Optical Device



Installation instructions and warnings

Istruzioni ed avvertenze per l'installatore

Instructions et avertissements pour l'installateur

Anweisungen und Hinweise für den Installateur

Instrucciones y advertencias para el instalador

Aanwijzingen en aanbevelingen voor de installateur

Instrukcje i ostrzeżenia dla instalatora

1) Warnings:

This manual contains important information regarding safety during installation, therefore before starting installation, it is important that you read all the information contained herein. Store this manual in a safe place for future use.

Due to the dangers which may arise during both the installation and use of the FT210, installation must be carried out in full respect of the laws, provisions and rules currently in force in order to ensure maximum safety.

According to the most recent European legislation, the automation of a door or gate is governed by the provisions listed in Directive 98/37/CE (Machine Directive) and, more specifically, to provisions: EN 13241-1 (harmonized standard); EN 12445; EN 12453 and EN 12635, which enable to declare the conformity of the product to the machine directive.

Further information, risk analysis guidelines and how to draw up the Technical Documentation is available at: www.nice-foryou.com. This manual has been especially written for use by qualified fitters, none of the information provided in this manual can be considered as being of interest to end users!

- The use of FT210 which is not explicitly provided for in these instructions is not permitted. Improper use may cause damage and personal injury.
- Do not modify any components unless such action is specified in these instructions. Operations of this kind are likely to lead to malfunctions. NICE disclaims any liability for damage resulting from modified products.
- FT210 must only function through TX-RX direct interpolation. The use of through reflection is prohibited.

- Use suitable conductors for the electrical connections as specified in the "installation" chapter.
- Make sure that the electrical power supply and the other use parameters correspond to the values indicated in "technical characteristics" table.
- The manufacture of safety devices for automatic doors and gates is subjected to the following standards:
 - EN 12453 - Industrial, commercial and garage doors and gates. Safety in use of power operated doors - Requirements.
 - EN 12978 - Industrial, commercial and garage doors and gates. Safety devices for power operated doors and gates - Requirements and test methods.

The installation and connection of the FT210 as a safety device must be performed in compliance to the said standards, if the necessary provisions are not taken, this will be automatically considered as negligence and deliberate abuse.

Particular warnings concerning the suitable use of this product in relation to the 89/336/EEC "Electromagnetic Compatibility" Directive and subsequent modifications 92/31/EEC and 93/68/EEC:

This product has been subjected to tests regarding the electromagnetic compatibility in the most critical of use conditions, in the configurations foreseen in this instructions manual and in combination with articles present in the Nice S.p.a. product catalogue. The electromagnetic compatibility may not be guaranteed if used in configurations or with other products that have not been foreseen; the use of the product is prohibited in these situations until the correspondence to the requirements foreseen by the directive have been verified by those performing the installation.

2) Product description and applications

FT210 is a device that resolves the problems of electrical connections of sensitive edges on the moving leaf. The device comprises a battery powered infrared beam transmitter (TX) that is positioned on the mobile leaf on which is connected the sensitive edge. In addition to this is a normally powered receiver (RX) which is positioned on the fixed section: 12÷24Vac/dc.

The 8,2kΩ constant resistance type sensitive edge is continually controlled by the transmitter and the activation or deactivation is transmitted to the receiver. Based on the status of the sensitive edge, the RX receiver interprets the information received and, on the basis of the on-board status, activates/deactivates the two output relays ALT and ALT1 (also PHOTO if jumper JP2 of receiver is deactivated See table 2). Communication between the TX and the RX is codified by means of high security techniques, such that the entire device complies to the failsafe category 3 according to the EN 954-1 standard and can therefore be used in EN 12978 standard PSPE systems.

The FT210 photocell assembled following the instructions and including the TCB65 sensitive edge, has been certified by the manufacturer as conforming to the following standards:

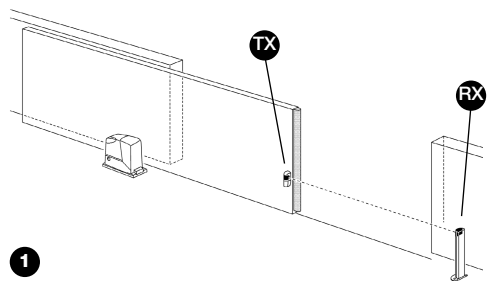
- EN 954-1 - Machine safety - Parts of the control system related to safety - General design principles
- EN 1760-2 - Machine safety - Pressure sensitive protection

devices - General design and test principles for pressure sensitive edges and bars.

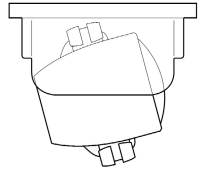
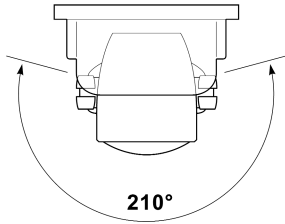
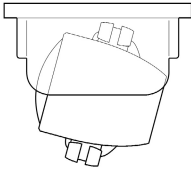
- EN 12978 - Industrial, commercial and garage doors and gates. Safety devices for power operated doors and gates - Test methods and requirements.

Warning: the FT210 does not comprise a complete safety device but is only part of it!

The TX and RX are positioned so that the optical communication takes place through the gap (see figure 1), the device can also be used as a presence sensor (type D according to the EN 12453 standard). In fact, the object that interrupts the beam deactivates the third relay of output PHOTO.



Because the F210 photocells have a horizontal scope of 210° and a vertical scope of 30°, they can also be applied on uneven surfaces where the correct alignment between TX and RX is not normally possible (see figure 2).



2

3) Installation

⚠ The system must be disconnected from the mains power supply during installation. If buffer batteries are present, these must also be disconnected.

3.1) Preliminary checks

Due to the peculiarity and uniqueness of the product, certain aspects concerning the operating principles must be evaluated before proceeding with the installation in order to ensure maximum safety and functionality.

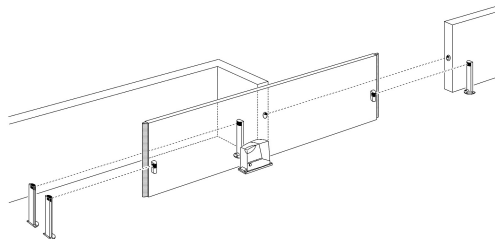
- Check carefully that the use parameters conform to the data indicated in the “technical characteristics” chapter. If in doubt, do not use the product and ask clarification from the Nice technical assistance department.
- The transmitter continuously controls the status of the sensitive edge and transmits the information to the receiver. In order to reduce the consumption of the battery and maintain the required safety level, this operation is performed with 2 different “speeds”: SLOW when the gate is at a standstill; FAST when the gate is moving. The transmitter detects when the gate is moving through a special sensor that detects the vibration of the moving gate. As soon as the gate begins to move the transmitter switches to the FAST mode and remains so until the gate is motionless for 10 or 90 seconds (see jumpers JP2 and JP3 in table 1).
- In order to guarantee the required safety level, the receiver must detect the status of the gate, above all to verify if the SLOW or FAST mode of the gate is correct.

This control mechanism occurs through the “PHOTOTEST” input of the receiver (see connection examples in figures 18 and 19). A Phototest is normally performed in the control unit at the beginning of each manoeuvre. In this way the receiver of the FT210 is informed that the gate is about to move.

- If the control unit does not have Phototest the FT210 can in any case be used by connecting the PHOTOTEST input of the FT210 to the SCA (Gate open indicator) output of the control unit. In this case a flashing signal should be present on the SCA output during the entire duration of the movement (see the connection example in figure 20).
- If the control unit does not even have an SCA output, the FT210 should be programmed in the continuous FAST mode by disconnecting the JP3 jumper on the TX (see table 1).
- In the control unit in which the beginning of the opening manoeuvre and the automatic closure is performed, the communication from the FAST mode to the SLOW mode must be held for 90 seconds when the gate stops (see JP2 in table 1). In this way the TX remains in the FAST mode for the entire opening time of the gate. The pause time of the control unit must obviously be less than 90 seconds.

- FT210 has been designed not to interfere with and not to be interfered with by other photocells, meaning that the FT210 can be used along with other photocells. Functioning is guaranteed with at least one other couple of Nice photocells whereas functioning may not be guaranteed with more than one couple or photocells of another make. To check that there are no effects caused by other devices, carefully perform the testing procedure indicated in chapter 4 and check the related signals in table 5. Two FT210 devices can in any case be placed to control the front and rear parts of the same gate, being that the two TX transmit the signals in the opposite direction.
- Two FT210 devices cannot be positioned to control the same area. If a receiver receives the signal of two transmitters, it activates the “safety” mode and blocks the gate movement. See the related signal in table 5.

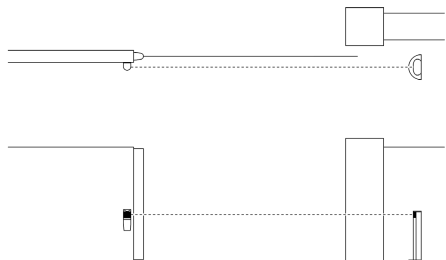
Figure 3 illustrates an example of correct installation.



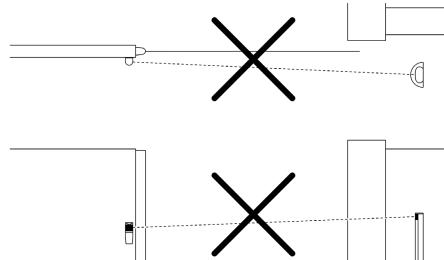
3

- The FT210 TX transmitter emits a beam with an angle of approximately $\pm 4^\circ$, therefore a perfect alignment between TX and RX is necessary that remains intact throughout the entire course of the gate.

Figure 4 illustrates an example of correct assembly; figure 5 illustrates two examples of incorrect assembly.

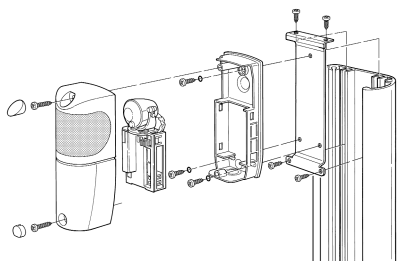


4

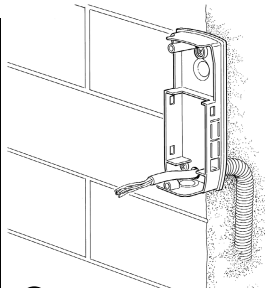


5

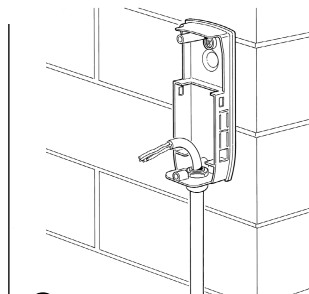
- If necessary, the receiver can be fitted on a special MOCF post with related FA2 accessories (see figure 6), or fixed to the wall. In this case the cables can arrive from the base (see figure 7) or below, in which case it is necessary to use "PG9" type cable clip (see figure 8).



6



7

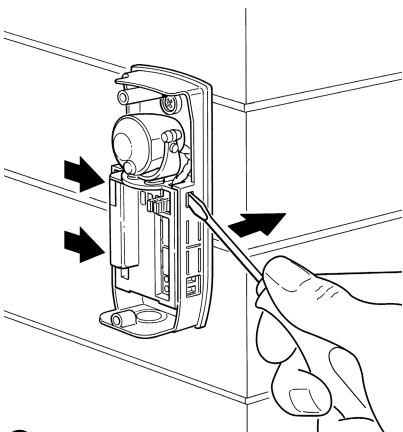


8

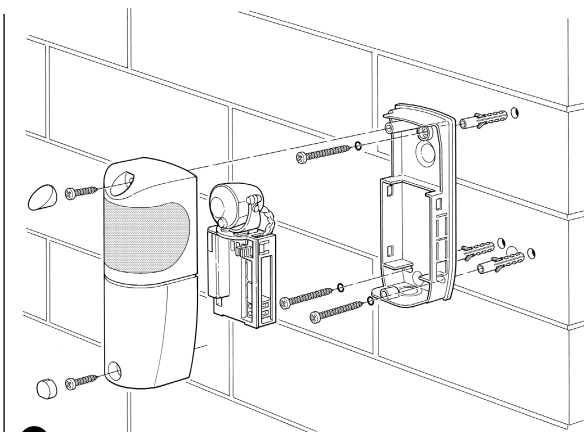
3.2 Fixing of the devices

Perform the installation and fixing of the devices following the operations below:

- To separate the control unit from the base, use a screwdriver to lever the three clips as indicated in fig. 9
- Fix the receiver as shown in fig. 10.



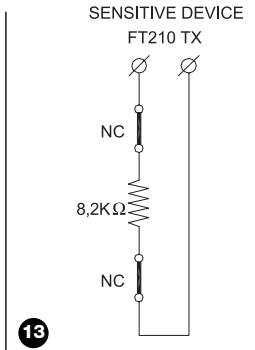
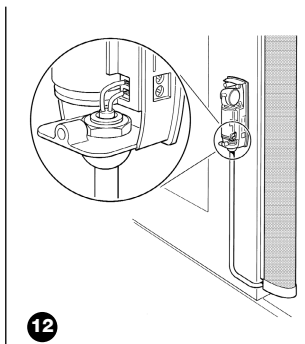
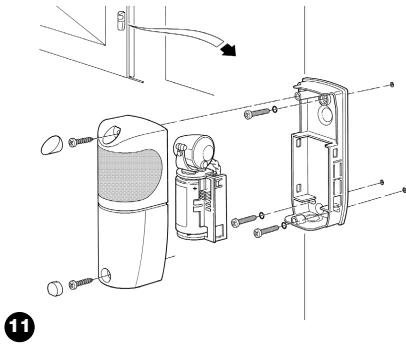
9



10

3. Assemble the transmitter on the mobile leaf as shown in figure 11.

4. Connect the 8,2K Ω , constant resistance type sensitive edge on the transmitter as shown in figure 12. The resistance on the TX terminals is removed and used as a termination on the sensitive edge or does not need to be used if the sensitive edge already has a terminating resistance.



If the sensitive edge has an output with 2 separate NC contacts, it can be connected as shown in figure 13 placing the 8,2K Ω resistance in series between the two contacts. Make sure that the sensitive edge complies with the failsafe category 3 according to the EN 954-1 standard.

Warning: do not use sensitive edges that have only one NC type contact because they do not have the necessary failsafe category required by the said standard.

5. Carry out the electrical connections following that which is indicated in the control unit instructions manual. Also see the connection examples in chapter 3.3 “Electrical connections”.

6. Direct the lenses as shown in fig. 14 in order to obtain the correct alignment between the TX and RX. The correct alignment will be verified in chapter 4 “Testing”.

7. Program the jumpers on both the TX and RX (see figure 15) for the desired operation following that indicated in table 1 and 2. Position the jumpers that are not used in their locations for future use (see figures 16 and 17)

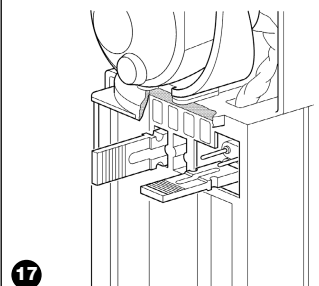
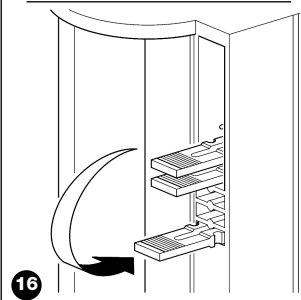
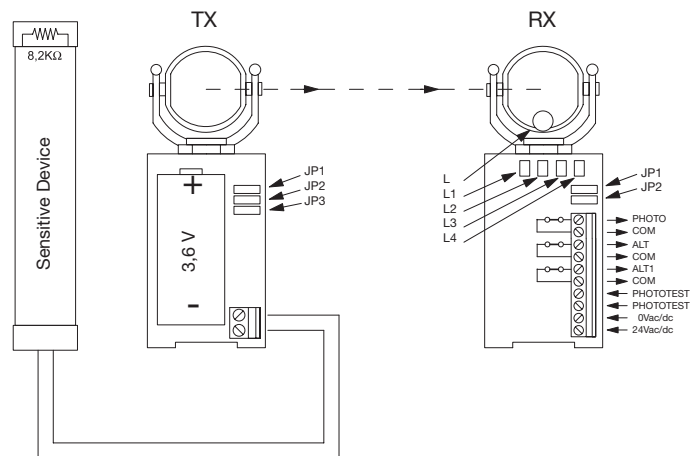
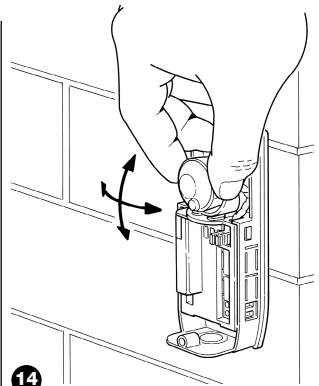


Table 1: TX transmitter jumpers

Jumper	Position	Description
JP1	Connected	Transmitter power suitable for gates up to 15 meters.
	Disconnected	Transmitter power suitable for gates up to 7 meters.
JP2	Connected	Change over to SLOW transmission after 10 seconds from the end of the manoeuvre (see JP3).
	Disconnected	Change over to SLOW transmission after 90 seconds from the end of the manoeuvre (see JP3).
JP3	Connected	Change over to SLOW transmission at the end of the manoeuvre.
	Disconnected	Never changes over to SLOW transmission but remains in the FAST mode.

Table 2: RX receiver jumpers

Jumper	Position	Description
JP1	Connected	Phototest input connected to the Phototest output of the control unit.
	Disconnected	Phototest input connected to the S.C.A. output of the control unit; or the input Phototest disconnected if the control unit is not fitted with Phototest or output SCA (Caution: possible only with JP3 on TX deactivated)
JP2	Connected	The interruption of the infrared beam causes the PHOTO contact to open. The activation of the sensitive edge causes the ALT contact to open and the ALT1 after 1.5 seconds.
	Disconnected	The interruption of the infrared beam causes the PHOTO contact to open. The activation of the sensitive edge causes the ALT contact to open and the ALT1 after 1.5 seconds. To be used in control units that do not foresee the inversion when ALT cuts in.

3.3) Electrical connections

This chapter describes the electrical connections and illustrates various possible connection layouts based on the type of control unit used on the automation system. If in doubt, do not use the product and contact the Nice technical assistance department.

Table 3: List of connections

Connection	Cable type	Max. length	Description
12÷24V	2x0,5mm ²	30m	AC or DC receiver power supply
Phototest	2x0,25mm ²	30m	Start of manoeuvre test input, which can be connected to the AC or DC voltage and is not limited by the power supply terminals.
Output contacts	2x0,25mm ²	30m	Output relay contacts; normally closed (NC) when the receiver is powered and active (see table 4)

Table 4: RX output description

Output	Relay contact	Description
PHOTO	Closed	There are no obstacles and the TX data is received correctly.
	Open	Obstacles are present and the TX data is not received.
The PHOTO output (Photocell) must be connected to the control unit input that causes the inversion of the manoeuvre, which is normally used by the D type presence sensor.		
ALT	Closed	No pressure is applied to the sensitive edge connected to the TX.
	Open	Pressure is applied to the sensitive edge connected to the TX.
The ALT output must be connected to the control unit input that causes the stop and eventual inversion of the manoeuvre, which is normally used by PSPE pressure sensitive safety devices.		
ALT1	Closed	No pressure is applied to the sensitive edge connected to the TX.
	Open	After 1.5 seconds if pressure is applied to the sensitive edge connected to the TX.

The ALT1 output must be connected to the second input of the control unit that causes the stop and eventual inversion of the manoeuvre, which is normally used by PSPE pressure sensitive safety devices.

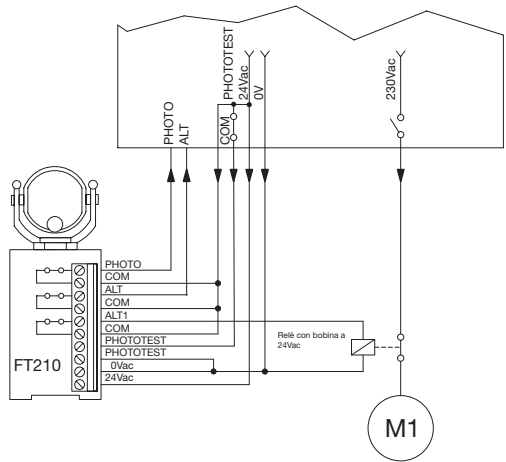
In the event that this second input is not available on the control unit it is possible:

- to use the ALT1 output to control a relay of suitable capacity that directly cuts the power to the motor (see figure 18).
- not to use the ALT1 output and disconnect the JP2 on the RX, in this way when the sensitive edge is activated the PHOTO contact is opened which also guarantees the failsafe category 3.

3.3.1) General connection example

Figure 18 shows a connection example of the FT210 to a general control unit with PHOTO input; ALT has a Phototest output. In this configuration, set the RX jumpers as follows:

- JP1 **connected**
- JP2 **activated**, if activation of the ALT input of the control unit causes shutdown and inversion of movement (in this way the relay connected to ALT1 in figure 18 can be eliminated and the contact of ALT1 can be placed in series to PHOTO and connected to the PHOTO input of the control unit as shown in figure 19 and 20)
- **deactivated**, if activation of the ALT input of the control unit causes only shutdown of movement

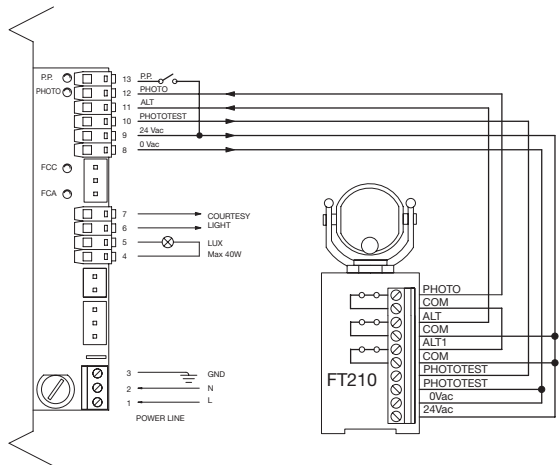


18

3.3.2) Connection example with “Phototest” equipped control unit

Figure 19 shows a connection example of the FT210 to the ROBO “RO300” model gearmotor with the use of the Phototest function. In this configuration, set the RX jumpers as follows:

- JP1 **connected**
- JP2 **connected** (control unit with inversion of movement on activation of ALT input)

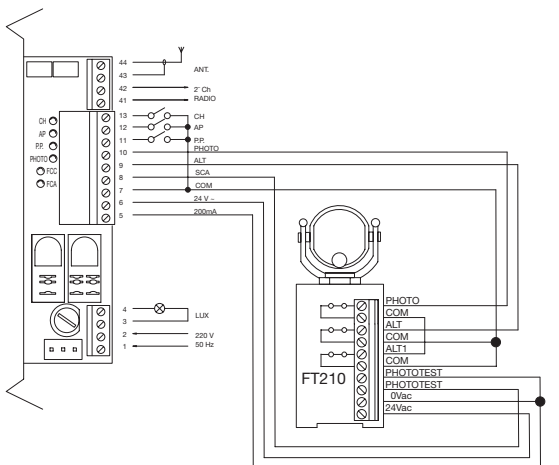


19

3.3.3) Connection example with “SCA” equipped control unit

Figure 20 shows a connection example of the FT210 to the ROBO “RO1000” model gearmotor with the use of the SCA output. In this configuration, set the RX receiver jumpers as follows:

- JP1 **disconnected**
- JP2 **activated** (control unit with inversion of movement on activation of ALT input)

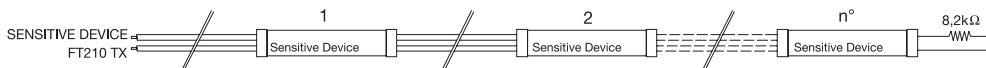


20

3.3.4) Connection of 2 or more sensitive edges

The FT210 has only one sensitive edge input, but 2 or more sensitive edges that perform the same function can be cascade connected one after the other as in figure 21 applying a single 8.2K Ω termination resistance.

Warning: the constant resistance devices must be cascade connected and never in series or parallel to one another!



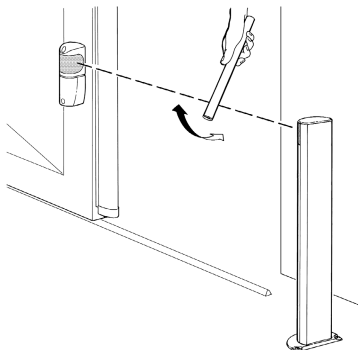
21

4) Testing

Each individual component of the automation system requires a specific testing phase. Perform the following sequence of operations for the testing of the FT210. The sequence is repeated for each device in the event 2 devices are present, one on the front of the gate and one on the back of the gate (see figure 3).

Warning: some points require that the gate is in movement for the control; as the automation MAY not be adequately SAFE, the maximum attention must be given during these controls.

1. Make sure that all that is foreseen in the present manual, in particular chapters 1 "Warnings" and 3 "Installation" is fully abided by.
2. Release and fully open the gate leaf so that the TX is at the maximum possible distance from the RX.
3. Make sure that there are no obstacles between the TX and the RX.
4. If present, disconnect the power supply to the receiver and remove the battery from the transmitter.
5. Disconnect the sensitive device from the TX terminals and measure the resistance of the device with an ohmmeter, checking that the value is between 7700 Ω and 8700 Ω (nominal 8200 Ω).
6. Push the sensitive edge to activate it and measure once again the resistance. Check that the resistance is lower than 1000 Ω or higher than 16500 Ω .
7. Reconnect the sensitive device to the TX terminals.
8. Connect the power supply to the receiver and check that the L1 (Ir Level) L2 (Phototest Ko) and L3 (Sensitive Device Ko) LEDs are on. Check that the L4 LED (Sensitive Device Ok) is off (see figure 30).
9. Remove the JP3 jumper on the TX so that it always transmits in the FAST mode.
10. If the distance between the TX and the RX exceeds 7 m check that the JP1 jumper on the TX is connected (this meaning programmed for distances up to 15 m).
11. Insert the FTA1 or FTA2 battery into the TX (see figure 33 or 34).
12. Check that the L1 (Ir level) LED on the RX receiver flashes; the L2 (Phototest Ko) LED and the L4 (Sensitive device Ok) LEDs are on and that the L3 ((Sensitive device Ko) LED is off.
13. If necessary, improve the alignment by directing the TX and RX lenses as shown in figure 14. By performing the L1 (Ir level) LED signal the speed of the flashing is less and the alignment is greater. The adjustment is at its best when the LED flashes slowly at a maximum of 3 flashes a second.
14. Repeat the test placing the top protection covers both on TX and RX. Note that the RX cover is fitted with a damper filter that simulates adverse weather conditions which could arise during use.
15. Move the gate leaf along the entire course and check, through the flashes of the L1 LED, that the alignment remains above the optimum.
16. To check the optical presence sensor (type D) of the FT210, and to make sure that there is no interference with other devices, pass a 50 mm diameter cylinder across the optical axis, first near the TX, then near the RX and finally between the two (see figure 22) and make sure that in all cases the device is triggered, switching from the active status to the alarm status (LED L1 ON) and vice versa.



22

17. To check the PSPE pressure sensitive device of the FT210, push and release the sensitive edge as shown in figure 23 and check that the L4 LED turns off and that the L3 LED turns on and vice versa.

18. If this is the preferred program, connect the JP3 jumper on the TX so that the transmission changes over to SLOW a few seconds after the movement has finished.

19. If the operation in the previous point has been performed; check that the transmitter changes over to SLOW after the foreseen time has past (see JP2 in table 1). The transmission in the SLOW mode can be recognised through four short flashes of the L1 LED followed by a pause.

20. Mechanically connect the leaf to the motor and perform a manoeuvre of the gate.

In the meantime, check that the L2 LED turns off at the beginning of the manoeuvre, indicating that the vibration sensor test of the moving gate has been performed correctly.

21. Perform various gate manoeuvres and check that the opening and closing are correctly performed without the inversion of the movement.

22. Perform further manoeuvres, and during the closure activate the optical presence sensor as indicated in point 15 and check that the foreseen action is performed such as the inversion of the movement.

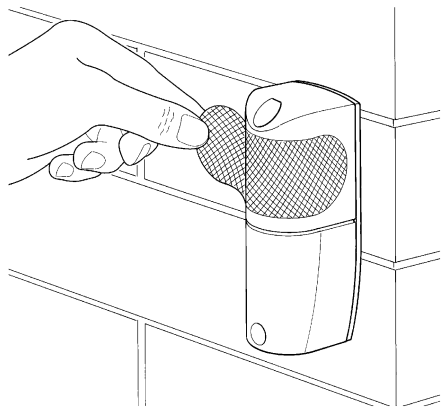
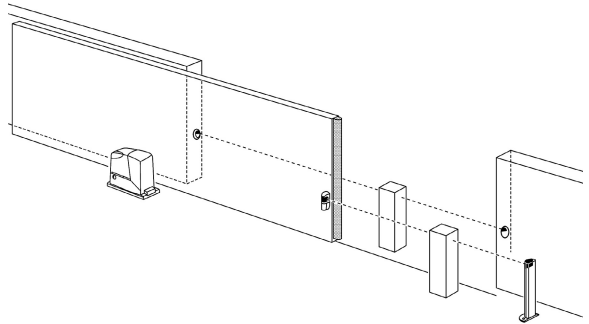
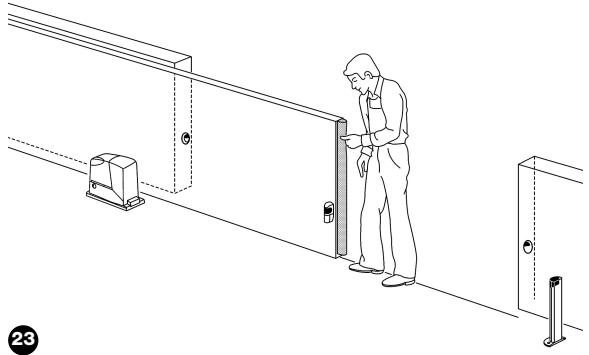
23. Perform additional manoeuvres and during the closure activate the sensitive edge as indicated in point 16 and check that the foreseen action is performed such as the inversion of the movement.

24. The control of the FT210 optical presence sensor (type D), according to the EN 12445 standard, is performed with the 700x300x200mm test parallelepiped with 3 black faces and 3 polished white or mirrored faces as indicated in figure 24 and according to chapter 7 of the EN 12445:2000 standard (or enclosure A of prEN12445:2005).

25. The control of the PSPE pressure sensitive device of the FT210 according to the EN 12445 standard, is performed by measuring the force at the points foreseen in chapter 5 of the EN 12445 standard, if the hazardous situations, which have been caused by the movement of the leaf, have been safeguarded through the limitation of the impact force (type C).

26. After verifying all the above points, remove the damper filter from the glass panel on the RX receiver as shown in figure 25.

27. Make sure that all casings of the various devices are closed when testing is complete



5) Additional information

Personalisation and how to look for and deal with faults on the FT210 will be dealt with in this chapter.

5.1) Example of how the FT210 can be used as photocell

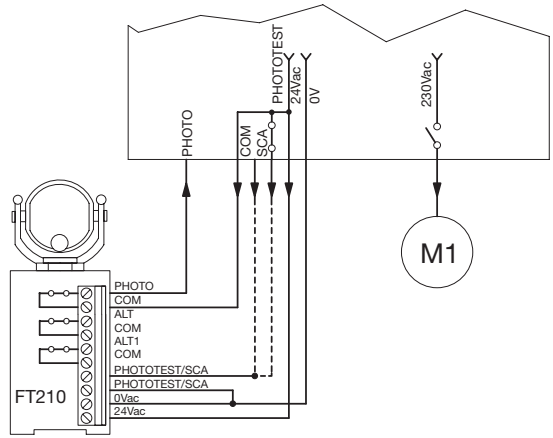
The FT210 can be used as a simple type D presence sensor without having to connect to the sensitive edge.

Figure 26 illustrates a connection example with this type of application of the FT210 photocell device.

In this case it is necessary to:

1. Perform the assembly as indicated in the "Installation" paragraph.
2. Deactivate jumper JP3 of the transmitter to ensure that transmission is always HIGH SPEED.
3. Use the receiver PHOTO output only
4. Connect and use the Phototest if the control unit supports this function. In this case jumper JP1 of the receiver must be inserted.
5. If the control unit has output SCA only, connect it to the Phototest input of the receiver. Jumper JP1 of the receiver must be deactivated.
6. If there is not usable output on the control unit (Phototest or SCA), leave the Phototest input of the receiver and deactivate the jumper JP1 of the receiver.

26



Note: The FAST transmission mode reduces the battery life of the transmitter. In this case the estimated life of a C type battery (FTA1 kit) is as follows:

- approximately 24 months for gates up to 7 m (JP1 jumper of the transmitter disconnected)
- approximately 18 months for gates up to 15 m (JP1 jumper of the transmitter connected)

5.2) Example of using FT210 only as detector of sensitive edge detector

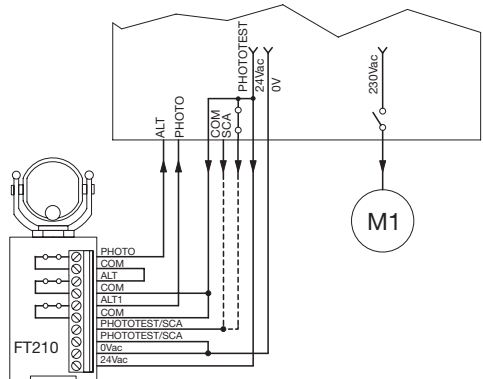
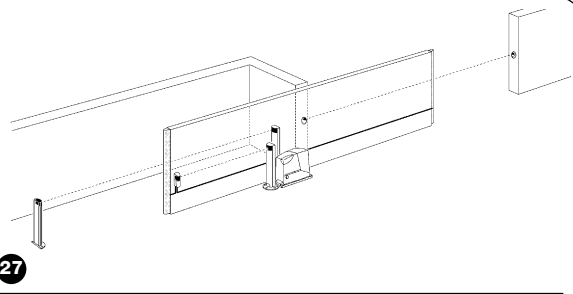
If FT210 is used only as detector of the sensitive edge status, and therefore without the presence detector function, the photocell device should be installed as shown in figure 27.

In this case, the following is necessary:

1. Perform the assembly phase as described in the paragraph "Installation".
2. Connect the receiver of FT210 to the control unit as shown in figure 28, placing the contacts PHOTO and ALT in series.
3. Insert Jumper JP2 of the receiver.
4. Connect and use Phototest if the control unit manages this function. In this case jumper JP1 of the receiver and jumper JP3 of the transmitter must be inserted.
5. If the control unit has output SCA only, connect it to the Phototest input of the receiver. Jumper JP1 of the receiver must be deactivated, while jumper JP3 of the transmitter must be inserted.
6. If there is not usable output on the control unit (Phototest or SCA), do not connect anything to the Phototest input of the receiver, deactivate the jumper JP1 of the receiver and jumper JP3 of the transmitter.

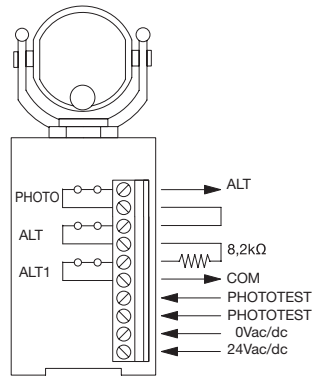
27

28



5.3) Example of connection of FT210 to control unit with ALT input with constant resistance at 8.2kohm

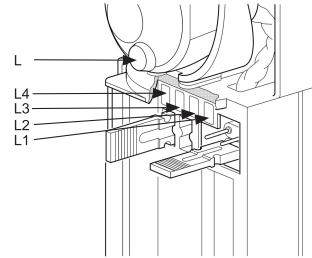
If the control unit has an ALT input with constant resistance of 8.2kohm, place a 8.2kohm resistance in series with the two contacts PHOTO and ALT of the receiver as shown in figure 29



29

5.4) Signals

The FT210 receiver has various LED signals (see figure 30) that give luminous signals based on the operational status.



30

Table 5: Signals		
LED L (red)	Cause	Action
2 short flashes Pause 2 short flashes	TX flat battery signal.	Replace the transmitter battery as soon as possible with another of the same type.
LED L1 (red)	Cause	Action
Regular flash	The rate of the flash indicates the quality of the reception: the slower the flash the greater the reception.	Everything Ok if the flash is slow: maximum 3 per second, otherwise the alignment of the TX and RX must be checked.
On	No signal, The "PHOTO" contact remains open.	Remove the obstacle or improve the TX and RX alignment.
4 short flashes Pause 4 short flashes	The transmitter is in the SLOW mode.	Everything Ok if the gate is not moving.
5 short flashes Pause 5 short flashes	The receiver receives interference from unrecognisable infrared signals.	An unknown transmitter is sending a signal towards the receiver, try to remove the interference; check the alignment of all devices present.
7 short flashes Pause 7 short flashes	The receiver receives the signal from a second FT210 transmitter.	Eliminate the second transmitter. Two FT210 transmitters cannot be positioned in the same area.
LED L2 (yellow)	Cause	Action
On	Signals an error during the test at the beginning of the manoeuvre and the transmitter changes over to the FAST mode.	Connection or programming of the PHOTOTEST input error. Possible poor functioning of the movement sensor.
Off	The test at the beginning of the last manoeuvre was correct.	Everything Ok
LED L3 (red)	Cause	Action
On (ALT contact: open)	The sensitive edge that is connected to the transmitter is active.	Check the reason the edge was activated.
Off (ALT contact: closed)	The sensitive edge connected to the transmitter is not active.	Everything Ok
LED L4 (green)	Cause	Action
On (ALT contact: closed)	The sensitive edge connected to the transmitter is not active.	Everything Ok
Off (ALT contact: open)	The sensitive edge connected to the transmitter is active.	Check the reason the edge was activated.

5.5) Troubleshooting

Table 6 gives possible indications on how to deal with malfunctions that may be met during installation or due to a fault.

Table 6: Fault diagnostics

Symptoms	Advisable checks
The gate cannot be controlled; all the LEDs on the FT210 receiver are off	Check if the receiver is connected to the power supply by measuring the voltage on the 12/24V terminals.
The gates starts to move but stops after 1 second; LED 2 (yellow) is on	The outcome of the test at the beginning of the manoeuvre was negative and there is a possible connection or programming error or there is a fault in the TX movement sensor of the gate.
The gate stops during the manoeuvre the manoeuvre is inverted; the LED L1 (red) is constantly on.	Check for possible obstacles or the alignment of the TX and RX through the entire course of the gate.
The gate stops during the movement or the manoeuvre is inverted; the LED L3 (red) is on and the LED L4 (green) is off	The sensitive edge has cut-in. Remove the possible obstacle and check that the sensitive edge is working correctly.
Sometimes the gate stops during the movement or the manoeuvre is inverted; the LED L1 (red) flashes rapidly when the gate is open.	Check the alignment between the TX and RX throughout the entire course of the gate.
On activation of the device, the receiver has yellow led L2 lit and red led L1 flashing. If the infrared beam is interrupted, led L1 is permanently lit, but no relay activation is heard	The receiver is set to Phototest mode (JP1 inserted) but has still not performed the test at the start of the manoeuvre. If the central has the Phototest function, leave jumper JP1 of the receiver inserted, check the connections and perform an automation manoeuvre. If the control does not have the Phototest function, the jumper JP1 must be inserted incorrectly. Deactivate the jumper and check that the relays are activated, interrupting the infrared beam.
Sometimes the gate stops during the movement or the manoeuvre is inverted; sometimes everything blocks and cannot be controlled; the LED L2 (red) continues to make 2 short flashes.	The TX battery is flat and communication between the TX and RX does not occur when conditions are poor. The flashing LED L (red) indicates that the battery need changing.

6) Maintenance

The FT210 does not require any particular maintenance, however a control should be performed at least once every six months to check the integrity of FT210 photocell (presence of dampness, rust, etc), cleaning of the external casing and testing as described in chapter 4 "Testing". The FT210 photocell has been designed to function under normal conditions for at least 10 years, therefore maintenance should be performed more frequently once this period has expired.

7) Disposal

As in installation, also at the end of product lifetime, the disassembly and scrapping operations must be performed by qualified personnel. This product is made up of different types of material, some of which can be recycled while others must be disposed of. Seek information on the recycling and disposal systems envisaged by the local regulations in your area for this product category.

Caution: some parts of the product may contain pollutant or hazardous substances which, if disposed of into the environment, may cause serious damage to the environment or physical health.

As indicated by the symbol in figure 31, disposal of this product in domestic waste is strictly prohibited. Separate the waste into

categories for disposal, according to the methods envisaged by current legislation in your area, or return the product to the retailer when purchasing a new version. Local legislation may envisage serious fines in the event of abusive disposal of this product.

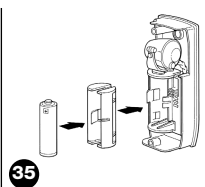
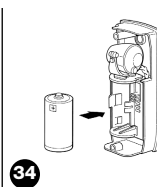
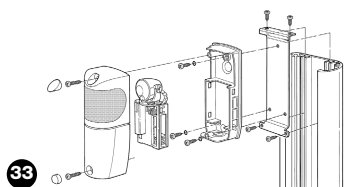
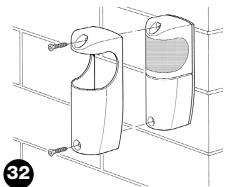


Warning: the product operates with batteries that could contain polluting substances and therefore should not be disposed of along with household waste. After they have been removed from the product (see paragraph "Battery replacement" in chapter "FT210B installation instructions and warnings") they should be disposed of in compliance with the legislations locally in force.

8) Accessories

The following accessories are available:

- FA1: metal vandal-proof casing, fitted as in figure 32
- FA2: ixing brackets for "MOCF" posts, fitted as in figure 33
- FTA1: 3.6V battery; 7Ah type C, fitted as in figure 34
- FTA2: 3.6V battery; 2Ah type AA, fitted as in figure 35



9) Technical characteristics

In order to improve its products, NICE S.p.a. reserves the right to modify them at any time without prior notice. In any case, the manufacturer guarantees their functionality and fitness for the intended purposes. Note: all the technical characteristics refer to a temperature of 20°C.

FT210 technical characteristics	
Type	Device for the optical status transmission of a constant resistance sensitive edge positioned on the moving part, comprising a battery powered infrared transmitter (TX) that is positioned on the moving leaf, to which is connected the sensitive edge, and a receiver (RX) positioned on the fixed part.
Adopted technology	TX-RX direct optical interpolation with modulated and coded infrared beam.
Receiver power supply	12÷24Vac/dc; limits: 10÷35 Vdc; 11÷28Vac 50/60Hz; with EN 61558 insulating transformer.
Receiver absorbed current	Approx. 120mA at 12Vdc; 70mA at 24Vac.
Phototest input voltage	The same limits as "Receiver power supply".
Transmitter power supply	3.6 V with type C or AA lithium battery.
Transmitter battery life	Estimated at approx. 15 years with the type C battery, 7Ah capacity; ("residential" use: TX-RX distance up to 7m; with 20 manoeuvres per day of 90") Estimated at approx. 5.5 years with the type C battery, 7Ah capacity; ("industrial" use: TX-RX distance up to 15m; with 200 manoeuvres per day of 90") Estimated at approx. 6 years with the type AA battery, 2Ah capacity; ("residential" use: TX-RX distance up to 7m; with 20 manoeuvres per day of 90")
Device input range Sensitive (Rs)	Typical 8,2K Ω +22%/-65% for the on status (ON) ON limits: with Rs > 2.870 Ω and Rs < 10.010 Ω OFF limits: with Rs < 2.590 Ω or Rs > 11.060 Ω
Type D presence sensor detection capacity	Opaque objects located on the optical axis between TX and RX, larger than 50 mm and moving slower than 1.6m/s.
TX transmission angle	+/- 4° (value taken at 50% of the capacity).
RX reception angle	+/- 3° (value taken at 50% of the capacity).
Directional capacity	approx. 210° on the horizontal axis and 30° on the vertical axis
Useful range	7 m or 15m (with JP1 inserted on TX) for maximum TX-RX misalignment $\pm 2^\circ$ (the range may be further reduced in the presence of particularly intense atmospheric conditions: fog, rain, snow, dust, etc.)
Maximum range (under optimum conditions)	15m or 30m (with JP1 inserted on TX) for maximum TX-RX misalignment $\pm 2^\circ$.
PHOTO output response time	<45ms (typical 31ms).
ALT output response time	<30ms (typical 28ms).
ALT1 output response time	1.5s \pm 3%.
Failsafe category	3 or 2 (according to the EN 954-1 standard) according to the type of the output connections and PHOTOTEST input
Output relay contacts capacity	Maximum 0.5A and maximum 48Vac (resistive load: $\cos\phi=1$).
Output relay contacts duration	Mechanical life > 1.000.000 cycles; electrical > 200.000 cycles (resistive load: 0.25A; 24Vdc).
Use in acid, saline or potentially explosive atmosphere	No.
Assembly	RX: Vertically wall mounted or on "MOCF" posts with "FA2" bracket. TX: directly on the gate with the supplied screws.
Protection class casing	IP44.
Operating temperature	-20 \pm 55°C.
Dimensions	46 x 128 h 45mm.
Weight	Receiver 135g. Transmitter 165 g with FTA1 or 140 g with FTA2

These instructions can be incorporated with the "Instructions and warnings for the use of the automation" which the installer must give the owner of the automation, and must be incorporated by them.

- **Maintenance:** Like any machine, your automation needs regular periodic maintenance to ensure its long life and total safety. Arrange a periodic maintenance schedule with your installation technician. Nice recommends that maintenance checks should be carried out every six months for normal domestic use, but this interval may vary depending on the intensity of use. Only qualified personnel are authorized to carry out checks, maintenance operations and repairs.
- Do not modify the system or its programming and adjustment parameters in any way, even if you feel capable of doing it: your installation technician is responsible for the system.
- The final test, the periodic maintenance operations and any repairs must be documented by the person who has performed them; these documents must remain under the custody of the owner of the system
- The only recommended maintenance operations that the user can perform periodically concern the cleaning of the photocell glasses and the removal of leaves and debris that may impede the automation. To prevent anyone from activating the gate, release the automation system and use a slightly damp cloth to clean.
- Disposal: At the end of its useful life, the automation must be dismantled by qualified personnel, and the materials must be recycled or disposed of in compliance with the legislation locally in force.

Replacement of the FT210 battery

The transmitter on the mobile leaf of the gate has a special 3.6 V lithium battery that, depending on the use conditions, has an estimated life of approximately 2 years. A signal is given a few months before the battery is completely flat in order to give ample time for replacement.

It's time to change the battery if the **receiver** on the fixed section (on the wall as in figure A or on the post as in figure B) gives the following signal: **2 short flashes followed by a 1 second pause.**

The battery is housed in the **transmitter** on the gate leaf; for replacement:

- 1) Remove the screw caps as in figure C.
- 2) Unscrew the screws that hold the cover and remove it as in figure C.
- 3) Use a screwdriver to lever out the flat battery.
- 4) Wait about 10 seconds before introducing the new battery.
- 5) Make sure the polarity is correct; the plus is at the top.
- 6) Introduce the battery as in figure D or E depending on the type used.
- 7) Secure the cover with the screws and replace the caps.

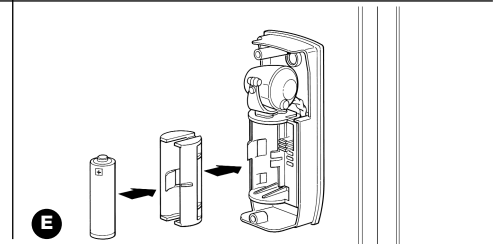
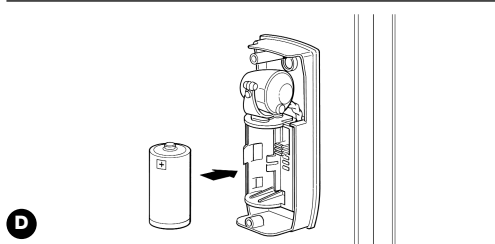
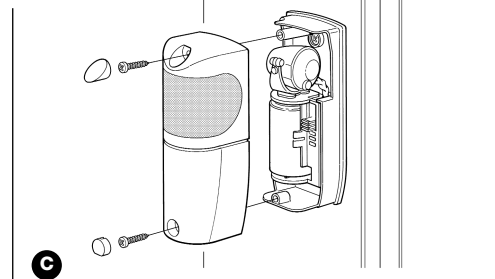
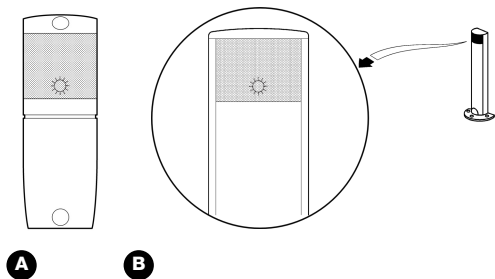
There are 2 types of battery:

- FTA1: 3.6V battery; 7Ah type C, fitted as in figure D.
- FTA2: 3.6V battery; 2Ah type AA, fitted as in figure E.

Caution: batteries used in this product are not normal alkaline versions.

Contact Nice s.p.a. to request the spare battery kits "FTA1" or "FTA2".

Warning: the product operates with batteries that could contain polluting substances and therefore should not be disposed of along with household waste. After they have been removed from the product (see paragraph "Battery replacement" in chapter "FT210B installation instructions and warnings") they should be disposed of in compliance with the legislations locally in force.



1) Avvertenze

Questo manuale d'istruzioni contiene importanti informazioni riguardanti la sicurezza per l'installazione, è necessario leggere tutte le istruzioni prima di procedere all'installazione. Conservare con cura questo manuale anche per utilizzi futuri. Considerando i pericoli che si possono verificare durante l'installazione e l'uso di FT210, per la massima sicurezza è necessario che l'installazione avvenga nel pieno rispetto di leggi, norme e regolamenti.

Secondo la più recente legislazione europea, l'automazione di una porta o cancello ricade in quanto previsto dalla Direttiva 98/37/CE (Direttiva Macchine) e nel particolare, alle norme: EN 13241-1 (norma armonizzata); EN 12445; EN 12453 ed EN 12635, che consentono di dichiarare la conformità alla direttiva macchine.

Ulteriori informazioni, linee guida all'analisi dei rischi ed alla realizzazione del Fascicolo Tecnico, sono disponibili su: "www.niceforyou.com". Il presente manuale è destinato solamente al personale tecnico qualificato per l'installazione, nessuna altra informazione contenuta nel presente fascicolo può essere considerata d'interesse per l'utilizzatore finale!

- L'uso di FT210 diverso da quanto previsto in queste istruzioni è vietato; usi impropri possono essere causa pericoli o danni a persone e cose.
- Non eseguire modifiche su nessuna parte se non previste nelle presenti istruzioni; operazioni di questo tipo possono solo causare malfunzionamenti; NICE declina ogni responsabilità per danni derivati da prodotti modificati.
- FT210 deve funzionare esclusivamente per interpolazione diretta TX-RX; è vietato l'uso per riflessione.

- Per i collegamenti elettrici utilizzare conduttori adeguati come riportato nel capitolo "installazione".
- Accertarsi che l'alimentazione elettrica e gli altri parametri d'utilizzo corrispondano ai valori riportati nella tabella "caratteristiche tecniche".
- La realizzazione di dispositivi di sicurezza per porte e cancelli automatici è sottoposta alle seguenti normative:
 - EN 12453 Porte e cancelli industriali, commerciali e da autorimessa. Sicurezza in uso di porte motorizzate - Requisiti.
 - EN 12978 Porte e cancelli industriali, commerciali e da garage. Dispositivi di sicurezza per porte e cancelli motorizzate - Requisiti e metodi di prova.

L'installazione ed il collegamento di FT210 con lo scopo di realizzare un dispositivo di sicurezza, senza soddisfare i requisiti di queste norme, corrisponde a negligenza e deliberato abuso!

Avvertenze particolari sull'idoneità all'uso di questo prodotto in relazione alla Direttiva "Compatibilità Elettromagnetica" 89/336/CEE e successiva modifiche 92/31/CEE e 93/68/CEE:

Questo prodotto è stato sottoposto alle prove relative alla compatibilità elettromagnetica nelle situazioni d'uso più critiche, nelle configurazioni previste in questo manuale di istruzioni ed in abbinamento con gli articoli presenti nel catalogo prodotti di Nice S.p.a.. Potrebbe non essere garantita la compatibilità elettromagnetica se il prodotto è usato in configurazioni diverse o con altri prodotti non previsti; è vietato l'uso del prodotto in queste situazioni finché chi esegue l'installazione non abbia verificato la rispondenza ai requisiti previsti dalla direttiva.

2) Descrizione del prodotto e destinazione d'uso

FT210 è un dispositivo che consente di risolvere il problema dei collegamenti elettrici di bordi sensibili posti su ante in movimento. E' composto da un trasmettitore a raggi infrarossi (TX), alimentato con batteria a lunga durata, che va posto sull'anta mobile nel quale viene collegato il bordo sensibile. A questo si aggiunge un ricevitore (RX) posto nella parte fissa ed alimentato normalmente: 12÷24Vac/dc.

Il bordo sensibile, di tipo a resistenza costante 8,2kohm viene verificato continuamente dal trasmettitore e lo stato di attivazione o meno viene inviato al ricevitore. Il ricevitore RX interpreta l'informazione ricevuta ed, in base allo stato del bordo, attiva o meno i 2 relè di uscita ALT e ALT1 (anche FOTO se il ponticello JP2 del ricevitore è disinserito. Vedere tabella 2). La comunicazione tra TX ed RX è codificata con tecniche ad alta sicurezza tale che l'intero dispositivo risponde alla categoria 3 di sicurezza ai guasti secondo la norma EN 954-1 ed è quindi utilizzabile in sistemi PSPE conformi alla norma EN 12978.

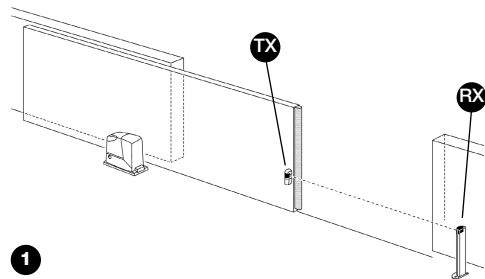
Il fotodispositivo FT210 assemblato come da istruzioni e completo di apposito bordo sensibile TCB65, è stato certificato dal produttore risultando conforme alle seguenti normative:

- EN 954-1 Sicurezza del macchinario - Parti dei sistemi di comando legate alla sicurezza - Principi generali per la progettazione.

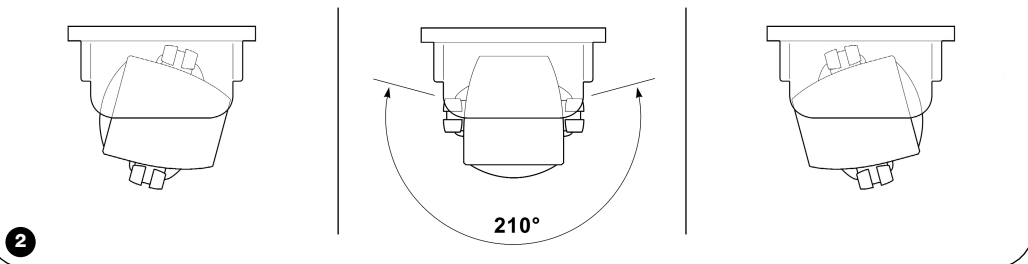
- EN 1760-2 Sicurezza del macchinario - Dispositivi di protezione sensibili alla pressione - Principi generali per la progettazione e la prova di bordi e barre sensibili alla pressione.
- EN 12978 - Porte e cancelli industriali, commerciali e da garage. Dispositivi di sicurezza per porte e cancelli motorizzate - Requisiti e metodi di prova.

Attenzione: il solo FT210 non è un dispositivo di sicurezza completo ma solo una parte di esso!

Se TX ed RX vengono posti in modo che la comunicazione ottica avvenga attraverso il varco (vedi figura 1), il dispositivo può essere utilizzato anche come rilevatore di presenza (tipo D secondo la norma EN 12453); infatti, un oggetto che interrompe il raggio provoca la disattivazione dello specifico terzo relè di uscita FOTO.



Con la possibilità d'orientamento di 210° sull'asse orizzontale e 30° sull'asse verticale, FT210 è utilizzabile anche dove superfici di fissaggio impedirebbero un corretto allineamento tra TX e RX (vedi figura 2).



3) Installazione

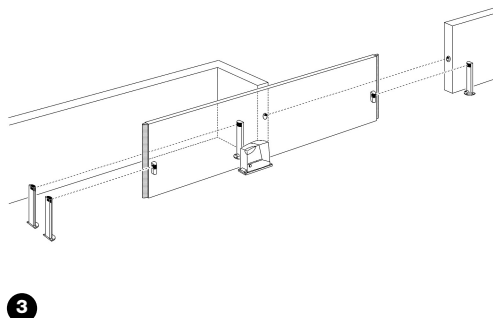
⚠ Tutte le operazioni d'installazione vanno eseguite in assenza di tensione all'impianto; nel caso sia presente la batteria tampone, è necessario scollegarla.

3.1) Verifiche preliminari

Vista la particolarità ed unicità del prodotto, prima di procedere con l'installazione occorre valutare alcuni aspetti relativi al principio di funzionamento in modo da ottenere la massima sicurezza e funzionalità.

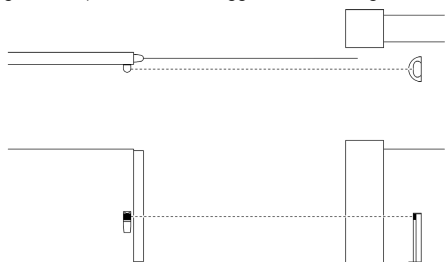
- Verificare attentamente che i parametri di utilizzo siano concordi con i dati riportati nel capitolo "caratteristiche tecniche". In caso di dubbio non utilizzare il prodotto e richiedere chiarimenti al servizio di assistenza tecnica di Nice.
- Il trasmettitore verifica continuamente lo stato del bordo sensibile ed invia l'informazione al ricevitore. Per ridurre il consumo della batteria e mantenere comunque la sicurezza richiesta, questa attività viene svolta con 2 diverse "velocità": LENTO quando il cancello è fermo; VELOCE quando il cancello è in movimento. Il trasmettitore riconosce lo stato di cancello in movimento attraverso uno speciale sensore che rileva le vibrazioni del cancello in movimento. Non appena il cancello inizia il movimento il trasmettitore passa in modalità VELOCE e vi rimane fino a quando il cancello rimane fermo per 10 o 90 secondi (vedere ponticelli JP2 e JP3 in tabella 1).
- Per garantire il livello di sicurezza richiesto, il ricevitore deve conoscere lo stato del cancello, soprattutto per verificare se la modalità LENTO o VELOCE del trasmettitore è corretta. Questo meccanismo di controllo avviene attraverso l'ingresso "FOTOTEST" del ricevitore (vedere anche gli esempi di collegamento in figura 18 e 19). Generalmente nelle centrali di comando ad ogni inizio manovra, viene eseguito un Fototest; in questo modo il ricevitore di FT210 viene informato che tra pochi istanti inizierà il movimento del cancello.
- Se la centrale di comando non dispone di Fototest è possibile utilizzare ugualmente il dispositivo FT210 collegando l'ingresso di FOTOTEST di FT210 alla uscita S.C.A (Spia Cancelli Aperto) della centrale; in questo caso occorre che sull'uscita SCA sia presente un segnale intermittente (lampeggio) durante tutta la durata della manovra (vedere esempio di collegamento in figura 20).
- Se la centrale di comando non dispone nemmeno dell'uscita SCA, FT210 dovrà essere programmato in modalità VELOCE continuando disinserendo il ponticello JP3 sul TX (vedere tabella 1).

- Nelle centrali, in cui il FOTOTEST è eseguito solo all'inizio della manovra di apertura e c'è la richiusura automatica, è necessaria la ritenuta di 90 secondi nella commutazione da modalità VELOCE a LENTA alla fermata del cancello (vedere JP2 in tabella 1). In questo modo il TX rimarrà in modalità VELOCE per tutto il tempo di apertura del cancello. Ovviamente il tempo pausa della centrale deve essere inferiore a 90 secondi.
 - FT210 è stato studiato per non provocare disturbi ad altre fotocellule e per non essere disturbato da esse; questo significa che FT210 può essere abbinato con altre fotocellule. E' garantito il funzionamento con almeno un'altra coppia di fotocellule prodotte da Nice mentre potrebbe non essere garantito il funzionamento con più di una coppia oppure con fotocellule di altri produttori. In ogni caso, per verificare che non vi siano influenze con altri dispositivi eseguire scrupolosamente la procedura di collaudo prevista nel capitolo 4 e verificare la specifica segnalazione in tabella 5. Si possono comunque porre due dispositivi FT210 per controllare la parte anteriore e posteriore di uno stesso cancello, visto che in questo caso i due TX inviano il segnale in due direzioni opposte.
 - Non possono essere posti due dispositivi FT210 per controllare la stessa area; se un ricevitore dovesse rilevare il segnale di due trasmettitori si metterebbe nello stato di "sicurezza" impedendo il movimento del cancello. Vedere la specifica segnalazione in tabella 5.
- Un esempio di corretta installazione è rappresentato in figura 3.

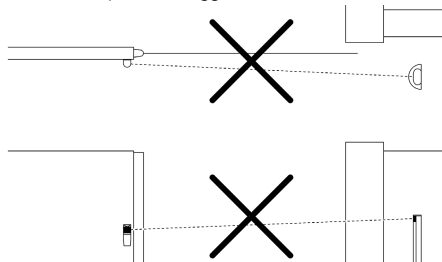


- Il trasmettitore TX della FT210 emette un raggio con un angolo di circa $\pm 4^\circ$ è quindi necessario un perfetto allineamento tra TX ed RX che deve rimanere costante lungo tutta la corsa del cancello.

In figura 4 è riportato un montaggio corretto; in figura 5 sono riportati due esempi di montaggio errato.

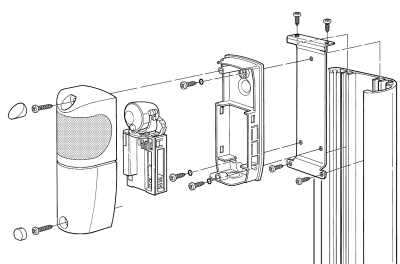


4

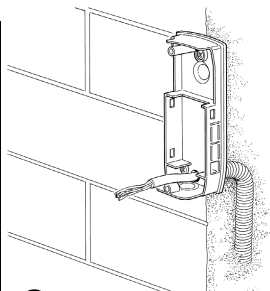


5

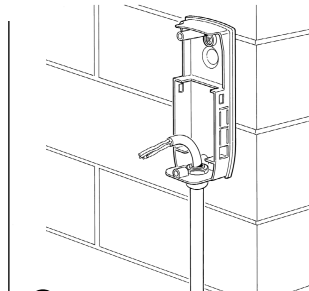
- A seconda delle necessità, il ricevitore può essere installato su apposita colonnina MOCF con lo specifico accessorio FA2 (vedere figura 6) oppure fissato a muro; in questo caso l'ingresso del cavo può avvenire dal fondo (vedere figura 7) oppure dal basso; in questo caso è necessario aggiungere un pressacavo di tipo "PG9" (vedere figura 8).



6



7

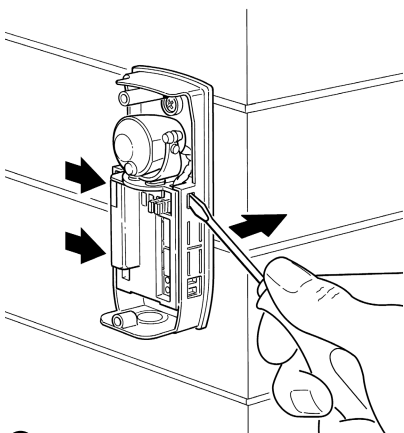


8

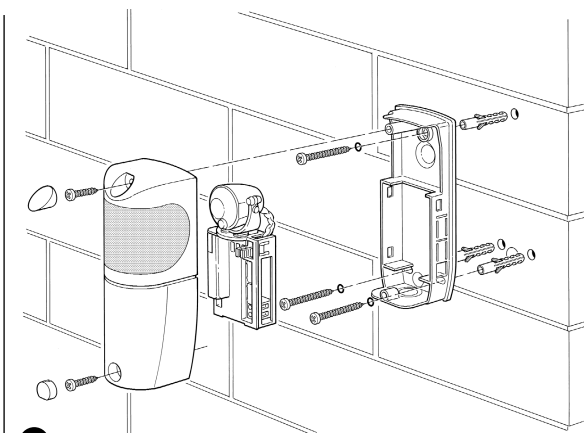
3.2 Fissaggio dei dispositivi

Eseguire l'installazione ed il fissaggio dei dispositivi secondo la seguente sequenza di operazioni:

1. Per facilitare le operazioni di fissaggio è possibile separare la scheda elettronica dal fondo facendo leva con un cacciavite nei tre incastri come indicato in figura 9.
2. Effettuare il fissaggio del ricevitore come indicato in figura 10.



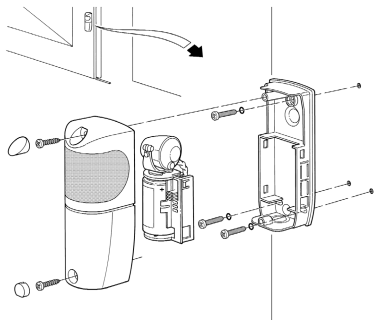
9



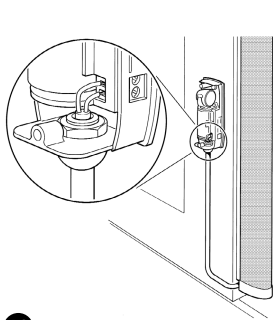
10

3. Montare il trasmettitore sull'anta mobile come indicato in figura 11.

4. Sul trasmettitore eseguire il collegamento elettrico del bordo sensibile, di tipo a resistenza costante $8,2K\Omega$, come indicato in figura 12. La resistenza presente sui morsetti del TX va rimossa ed utilizzata come terminazione del bordo sensibile oppure può essere non usata nel caso il bordo disponga di una sua resistenza di terminazione.



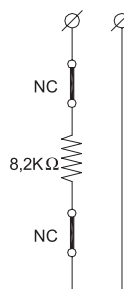
11



12

SENSITIVE DEVICE

FT210 TX



13

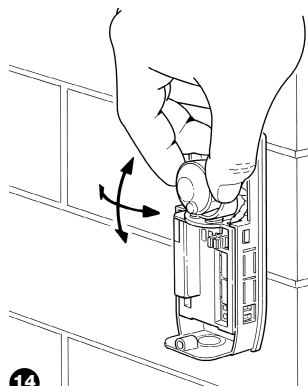
Nel caso il bordo sensibile disponga di uscita con 2 contatti NC disponibili separatamente è possibile collegarlo come indicato in figura 13 ponendo la resistenza da $8,2K\Omega$ in serie tra i due contatti. Verificare che il costruttore del bordo sensibile dichiarerà almeno la categoria 3 di sicurezza ai guasti secondo la norma EN 954-1.

Attenzione: non utilizzare bordi sensibili che hanno come uscita un singolo contatto di tipo NC, non avrebbero la categoria di resistenza ai guasti richiesta dalle normative.

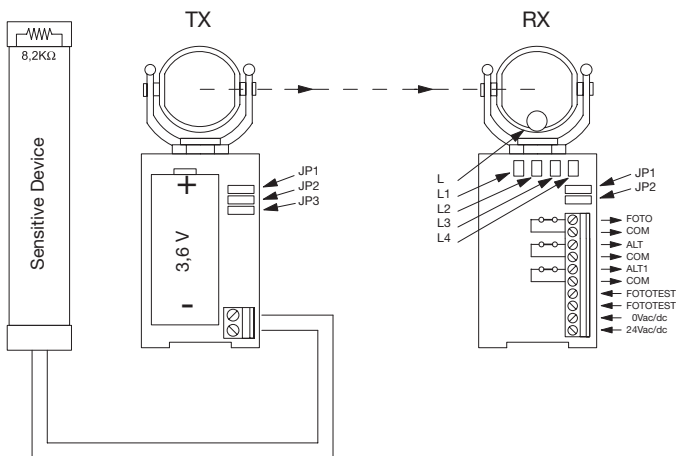
5. Eseguire i collegamenti elettrici secondo quanto riportato nel manuale di istruzioni della centrale di comando. Vedere anche gli esempi di collegamento nel capitolo 3.3 "Collegamenti elettrici".

6. Orientare le lenti come indicato in figura 14 in modo da ottenere il migliore allineamento possibile tra TX e RX. Il corretto allineamento verrà poi verificato nel capitolo 4 "Collaudo".

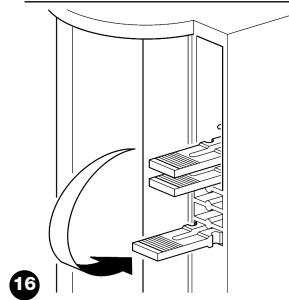
7. Programmare i ponticelli presenti sia su TX che su RX (vedere figura 15) per il funzionamento desiderato secondo quanto indicato nelle tabelle 1 e 2. Per utilizzi futuri, riporre gli eventuali ponticelli non usati nello specifico vano (vedere figure 16 e 17).



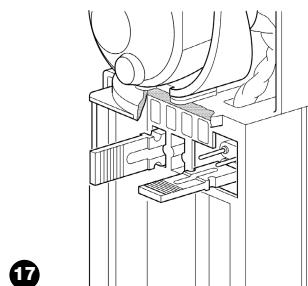
14



15



16



17

Tabella 1: ponticelli sul trasmettitore TX

Ponticello	Posizione	Descrizione
JP1	Inserito	Potenza del trasmettitore adatta per cancelli fino a 15 metri.
	Disinserito	Potenza del trasmettitore adatta per cancelli fino a 7 metri.
JP2	Inserito	Commuta in trasmissione LENTA dopo 10 secondi al termine della manovra (vedere anche JP3).
	Disinserito	Commuta in trasmissione LENTA dopo 90 secondi al termine della manovra (vedere anche JP3).
JP3	Inserito	Al termine della manovra commuta in trasmissione LENTA.
	Disinserito	Non commuta mai in trasmissione LENTA ma rimane sempre in modo VELOCE.

Tabella 2: ponticelli sul ricevitore RX

Ponticello	Posizione	Descrizione
JP1	Inserito	Ingresso Fototest collegato alla uscita Fototest della centrale.
	Disinserito	Ingresso Fototest collegato alla uscita SCA della centrale; oppure ingresso Fototest scollegato se la centrale non dispone né di Fototest né di uscita SCA (Attenzione: possibile solo con JP3 su TX disinserito)
JP2	Inserito	L'interruzione del raggio infrarosso provoca l'apertura del contatto FOTO. L'attivazione del bordo sensibile provoca l'apertura del contatto ALT e dopo 1,5s quella del contatto ALT1.
	Disinserito	L'interruzione del raggio infrarosso provoca l'apertura del contatto FOTO. L'attivazione del bordo sensibile provoca l'apertura del contatto FOTO e dopo 1,5s quella del contatto ALT e ALT1. Da usare in quelle centrali che non prevedono l'inversione con intervento di ALT.

3.3) Collegamenti elettrici

In questo capitolo vengono descritti i collegamenti elettrici e riportati alcuni schemi di collegamento possibili in base al tipo di centrale di controllo utilizzata nell'automazione. In caso di dubbio non utilizzare il prodotto e richiedere chiarimenti al servizio di assistenza tecnica di Nice.

Tabella 3: elenco collegamenti

Collegamento	Tipo cavo	Lunghezza massima	Descrizione
12÷24V	2x0,5mm ²	30m	Alimentazione del ricevitore; in corrente continua oppure corrente alternata.
Fototest	2x0,25mm ²	30m	Ingresso per test ad inizio manovra; può essere collegato a tensioni in corrente continua oppure corrente alternata; non è vincolato dai morsetti di alimentazione.
Contatti uscite	2x0,25mm ²	30m	Contatti dei relè di uscita; normalmente chiusi (NC) quando il ricevitore è alimentato ed in stato di attivo (vedere tabella 4).

Tabella 4: descrizione uscite RX

Uscita	Contatto relè	Descrizione
FOTO	Chiuso	Non ci sono ostacoli e c'è ricezione corretta dei dati trasmessi dal TX.
	Aperto	Ci sono ostacoli e non c'è ricezione dei dati trasmessi dal TX.
L'uscita FOTO (fotocellula) deve essere collegata nell'ingresso della centrale che provoca l'inversione del movimento, normalmente destinato al rivelatore di presenza tipo D.		
ALT	Chiuso	Il bordo sensibile collegato sul TX non sottoposto a pressione.
	Aperto	Il bordo sensibile collegato sul TX è sottoposto a pressione.
L'uscita ALT deve essere collegata all'ingresso della centrale che provoca l'arresto e l'eventuale l'inversione del movimento, normalmente destinato ai dispositivi di sicurezza sensibili alla pressione PSPE.		
ALT1	Chiuso	Il bordo sensibile collegato sul TX non sottoposto a pressione.
	Aperto	Dopo 1,5 secondi se il bordo sensibile collegato sul TX è sottoposto a pressione.

L'uscita ALT1 deve essere collegata al secondo ingresso della centrale che provoca l'arresto e l'eventuale inversione del movimento, normalmente destinato ai dispositivi di sicurezza sensibili alla pressione PSPE.

Nel caso non sia disponibile questo secondo ingresso sulla centrale è possibile:

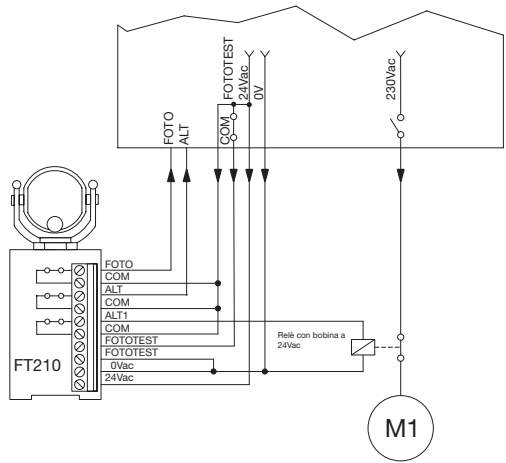
- usare l'uscita ALT1 per comandare un relè di adeguata potenza che tagli l'alimentazione direttamente al motore (vedere figura 18).
- non utilizzare l'uscita ALT1 e disinserire JP2 sull'RX, in questo modo l'attivazione del bordo sensibile provoca l'apertura del contatto FOTO garantendo anche in questo caso la categoria 3 di sicurezza ai guasti.

3.3.1) Esempio di collegamento generico

In figura 18 è riportato un esempio di collegamento di FT210 ad una centrale generica con ingressi FOTO, ALT e dotata di uscita per Fototest. In questa configurazione, impostare i ponticelli del ricevitore RX nel seguente modo:

- JP1 **inserito**
- JP2 **inserito**, se l'attivazione dell'ingresso ALT della centrale provoca l'arresto e l'inversione del moto (in questo caso il relè collegato ad ALT1 in figura 18 può essere eliminato e il contatto di ALT1 deve essere posto in serie a FOTO e collegato all'ingresso di FOTO della centrale come in figura 19 e 20) **disinserito**, se l'attivazione dell'ingresso ALT della centrale provoca solo l'arresto del moto.

18

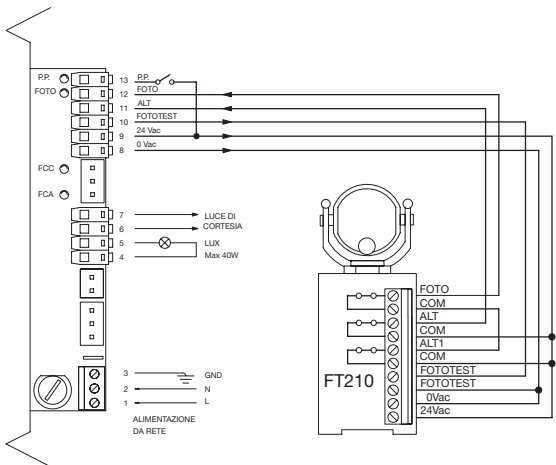


3.3.2) Esempio di collegamento con centrale dotata di "Fototest"

In figura 19 è riportato un esempio di collegamento di FT210 alla centrale del motoriduttore ROBO modello "RO300" con l'impiego della funzione di Fototest. In questa configurazione, impostare i ponticelli del ricevitore RX nel seguente modo.

- JP1 **inserito**
- JP2 **inserito** (centrale con inversione del moto all'attivazione dell'ingresso di ALT)

19

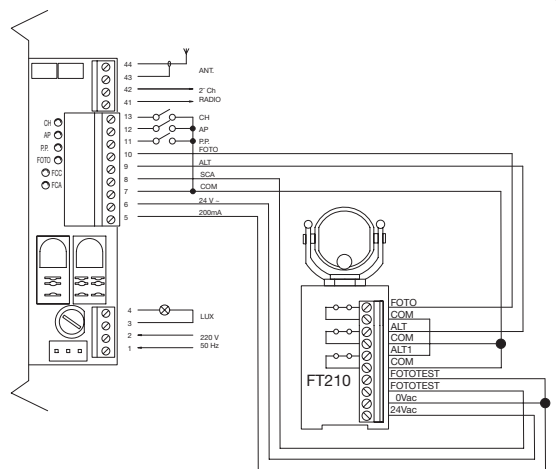


3.3.3) Esempio di collegamento con centrale dotata di uscita SCA

In figura 20 è riportato un esempio di collegamento di FT210 alla centrale del motoriduttore ROBO modello RO1000 con l'impiego dell'uscita SCA. In questa configurazione, impostare i ponticelli del ricevitore RX nel seguente modo.

- JP1 **disinserito**
- JP2 **inserito** (centrale con inversione del moto all'attivazione dell'ingresso di ALT)

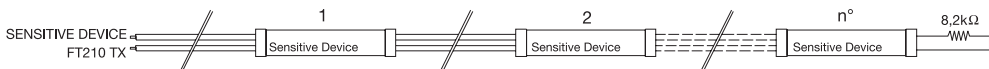
20



3.3.4) Collegamento di 2 o più bordi sensibili

Il trasmettitore di FT210 dispone di un solo ingresso per bordi sensibili, ma due o più dispositivi sensibili che svolgano la stessa funzione, possono essere collegati in cascata l'uno dopo l'altro come in figura 21 ponendo una sola resistenza da 8,2kΩ di terminazione.

Attenzione: i dispositivi a resistenza costante devono essere collegati in cascata e mai in serie o in parallelo tra loro!



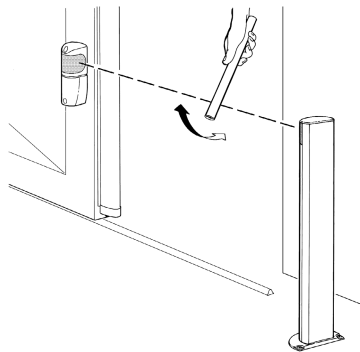
21

4) Collaudo

Ogni singolo componente dell'automatismo, richiede una specifica fase di collaudo. Per il collaudo di "FT210" eseguire la seguente sequenza di operazioni. Nel caso siano presenti 2 dispositivi, uno nella parte anteriore dell'anta ed uno nella parte posteriore (vedere figura 3) la sequenza va ripetuta per ogni dispositivo.

Attenzione: in alcuni punti sono richieste delle verifiche con il cancello in movimento; poiché l'automazione POTREBBE non essere adeguatamente SICURA occorre porre la massima attenzione nel fare queste verifiche.

1. Verificare che sia stato rispettato rigorosamente tutto quanto previsto nel presente manuale ed in particolare nei capitoli 1 "Avvertenze" e 3 "Installazione".
2. Sbloccare ed aprire completamente l'anta del cancello; in modo di porre il TX alla massima distanza dal RX.
3. Verificare che non vi sia alcun ostacolo tra TX ed RX.
4. Se presente scollegare l'alimentazione elettrica al ricevitore e togliere la batteria al trasmettitore.
5. Scollegare il dispositivo sensibile dai morsetti del TX e con un ohmetro misurare il valore della resistenza del dispositivo e verificare che il valore si compreso tra 7700Ω e 8700Ω (nominale 8200Ω).
6. Premere per attivare il bordo sensibile e misurare nuovamente il valore della resistenza; verificare che il valore sia minore di 1000Ω oppure superiore a 16500Ω.
7. Ricollegare il dispositivo sensibile ai morsetti del TX.
8. Fornire alimentazione elettrica al ricevitore e verificare che i led L1 (Ir Level) L2 (Fototest Ko) ed L3 (Sensitive Device Ko) siano accesi; verificare che il led L4 (Sensitive Device Ok) sia spento (vedere figura 30).
9. Togliere il ponticello JP3 sul TX in modo che questo trasmetta sempre in modalità VELOCE.
10. Se la distanza tra TX ed RX supera i 7m verificare che il ponticello JP1 sul TX sia inserito (quindi programmato per distanze fino a 15m).
11. Nel TX inserire la batteria FTA1 oppure FTA2 (vedere figure 33 e 34).
12. Nel ricevitore RX verificare che il led L1 (Ir Level) lampeggi; che i led L2 (Fototest Ko) ed L4 (Sensitive Device Ok) siano accesi e che il led L3 (Sensitive Device Ko) sia spento.
13. Se necessario migliorare l'allineamento intervenendo sull'orientamento delle lenti del TX e del RX, come indicato in figura 14. Seguire la segnalazione del led L1 (Ir Level) minore è la velocità del lampeggio e migliore è l'allineamento; la regolazione ottimale si ha quando il led L1 lampeggia lentamente, massimo 3 lampeggi al secondo.
14. Ripetere la prova ponendo i gusci di protezione superiore sia su TX che su RX. Da notare che sul guscio dell'RX, c'è un filtro attenuatore che simula le condizioni climatiche avverse che si potranno verificare durante l'uso.
15. Spostare l'anta del cancello lungo tutta la corsa e verificare con il lampeggio del led L1 che l'allineamento rimanga sempre ottimale.
16. Nella verifica di FT210 nella parte relativa al rilevatore di presenza ottico (tipo D), ed in particolare che non ci siano interferenze con altri dispositivi, passare un cilindro di diametro 50mm sull'asse ottico prima vicino al TX, poi vicino al RX e infine al centro tra i due (vedi figura 22). Verificare che in tutti i casi il dispositivo intervenga passando dallo stato di attivo a quello di allarme (led L1 acceso) e viceversa.



22

17. Per la verifica di FT210 nella parte relativa al dispositivo sensibile alla pressione PSPE premere e rilasciare il bordo sensibile come indicato in figura 23. Verificare che il led L4 si spenga e si accenda il led L3 e viceversa.

18. Se questa è la programmazione preferita, inserire il ponticello JP3 sul TX in modo che alcuni secondi dopo il termine del movimento la trasmissione commuti in modalità LENTA.

19. Nel caso sia stata eseguita l'operazione descritta al punto precedente; verificare che trascorso il tempo previsto (vedere JP2 in tabella 1) il trasmettitore commuti in modalità LENTA. La trasmissione in modalità LENTA si riconosce perché il led L1 fa ripetutamente quattro lampeggi brevi seguiti da una pausa.

20. Agganciare meccanicamente l'anta al motore ed eseguire una manovra comandata del cancello. Verificare nel frattempo che all'inizio della manovra il led L2 si spenga indicando che il test del sensore che rileva le vibrazioni del cancello in movimento è andato a buon fine.

21. Eseguire varie manovre comandate del cancello e verificare che l'apertura e la chiusura avvengano correttamente e senza inversioni del movimento.

22. Eseguire altre manovre e durante la manovra di chiusura intervenire sul rivelatore di presenza ottico come indicato nel punto 15 e verificare che provochi l'azione prevista ad esempio l'inversione di movimento.

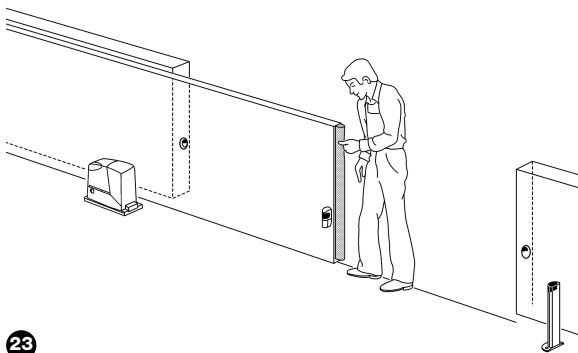
23. Eseguire altre manovre e nella manovra di chiusura intervenire sul bordo sensibile come indicato nel punto 16 e verificare che provochi l'azione prevista ad esempio l'inversione di movimento.

24. La verifica secondo la norma EN 12445 di FT210 nella parte relativa al rivelatore di presenza ottico (tipo D), va fatta con il parallelepipedo di test 700x300x200mm con 3 lati nero opaco e 3 lati bianco lucido oppure a specchio come indicato in figura 24e secondo quanto richiesto dal capitolo 7 dalla norma EN 12445:2000 (oppure allegato A in prEN12445:2005).

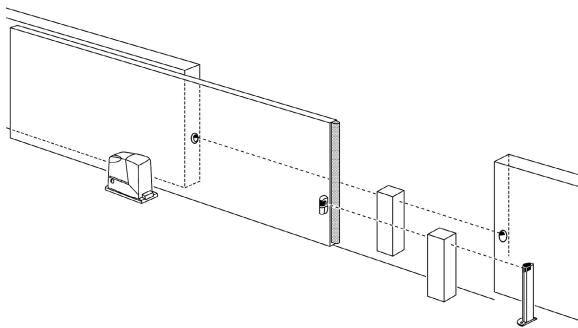
25. La verifica secondo la norma EN 12445 di FT210 nella parte relativa al dispositivo sensibile alla pressione PSPE; se le situazioni pericolose provocate dal movimento dell'anta sono state salvaguardate mediante la limitazione della forza d'impatto (tipo C) va fatta eseguendo la misura della forza con lo specifico strumento nei punti previsti secondo quanto richiesto dal capitolo 5 dalla norma EN 12445.

26. Dopo aver verificato tutti i punti precedenti, togliere il filtro attenuatore dal vetro del ricevitore RX, come indicato in figura 25.

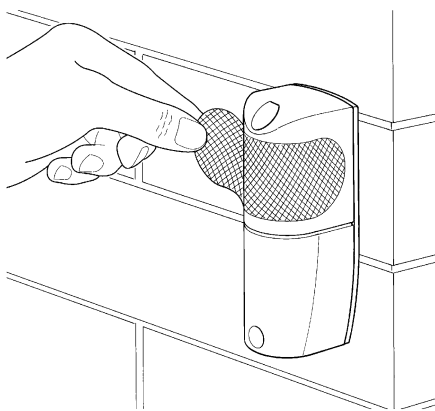
27. Al termine del collaudo ricordarsi di chiudere tutti i contenitori dei vari dispositivi.



23



24



25

5) Approfondimenti

In questo capitolo verranno trattate le possibilità di personalizzazione diagnostica e ricerca guasti su FT210.

5.1) Esempio di utilizzo di FT210 solo come rilevatore di presenza

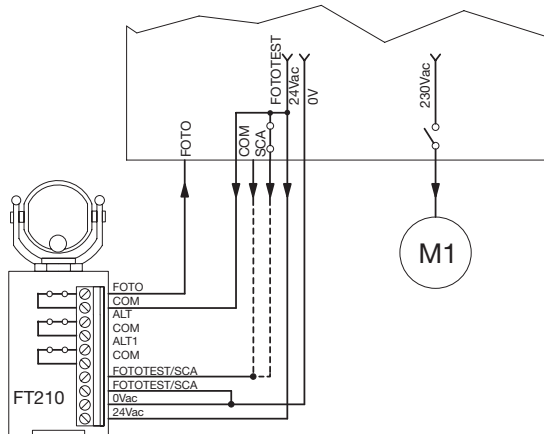
È possibile utilizzare FT210 come semplice rilevatore di presenza tipo D, senza quindi il collegamento al bordo sensibile.

In figura 26 è riportato un esempio di collegamento con questo tipo di utilizzo del fotodispositivo FT210. In questo caso è necessario:

1. Eseguire le fasi di montaggio come riportato al paragrafo "Installazione".
2. Disinserire il ponticello "JP3" del trasmettitore in modo che la trasmissione avvenga sempre in modo VELOCE
3. Utilizzare solo l'uscita FOTO del ricevitore.
4. Collegare ed utilizzare il Fototest se la centrale gestisce questa funzione. In questo caso il ponticello JP1 del ricevitore va inserito.
5. Se la centrale dispone solo dell'uscita SCA, collegarla all'ingresso Fototest del ricevitore. Il ponticello JP1 del ricevitore va disinserto.
6. Se non si dispone sulla centrale di nessuna uscita utilizzabile (Fototest o SCA), lasciare scollegato l'ingresso Fototest del ricevitore e disinserto il ponticello JP1 del ricevitore.

Nota: La modalità di trasmissione VELOCE riduce la durata della batteria del trasmettitore. In questo caso la durata di una batteria tipo "C" (kit FTA1) è così stimata:

- circa 24 mesi per cancelli fino a 7m (ponticello JP1 del trasmettitore disinserto).
- circa 18 mesi per cancelli fino a 15m (ponticello JP1 del trasmettitore inserito).



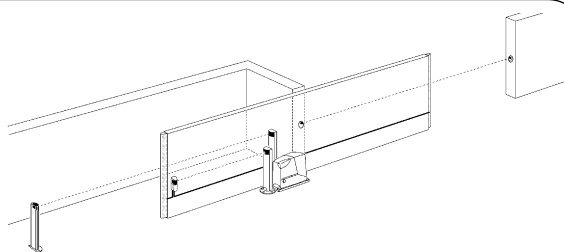
26

5.2) Esempio di utilizzo di FT210 come solo rilevatore dello stato del bordo sensibile

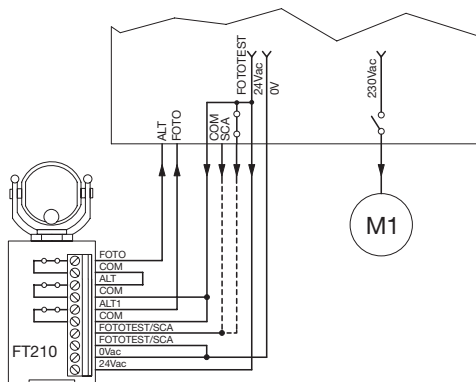
Nel caso FT210 venga utilizzato solo come rilevatore dello stato del bordo sensibile, senza quindi la funzione di rilevatore di presenza, si consiglia di installare il fotodispositivo come in figura 27.

In questo caso è necessario:

1. Eseguire le fasi di montaggio come riportato al paragrafo "Installazione".
2. Collegare il ricevitore di FT210 alla centrale come in figura 28, ponendo in serie i contatti di FOTO e ALT.
3. Inserire il ponticello JP2 del ricevitore
4. Collegare ed utilizzare il Fototest se la centrale gestisce questa funzione. In questo caso il ponticello JP1 del ricevitore e il ponticello JP3 del trasmettitore vanno inseriti
5. Se la centrale dispone solo dell'uscita SCA, collegarla all'ingresso Fototest del ricevitore. Il ponticello JP1 del ricevitore va disinserto, mentre il ponticello JP3 del trasmettitore va inserito
6. Se non si dispone sulla centrale di nessuna uscita utilizzabile (Fototest o SCA), non collegare niente all'ingresso Fototest del ricevitore, disinserto il ponticello JP1 del ricevitore e il ponticello JP3 del trasmettitore.



27

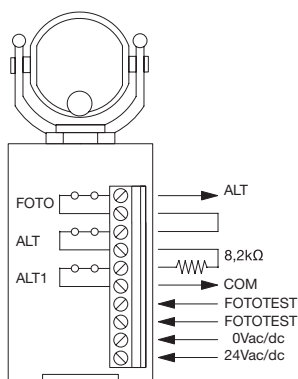


28

5.3) Esempio di collegamento di FT210 a centrale con ingresso di ALT a resistenza costante 8,2kohm.

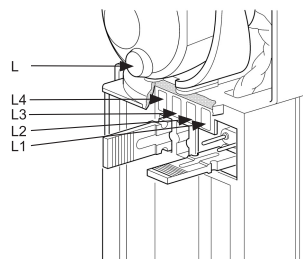
Nel caso la centrale disponga di ingresso di ALT a resistenza costante 8,2kohm, porre in serie ai due contatti FOTO e ALT del ricevitore, una resistenza da 8,2Kohm come indicato in figura 29.

29



5.4) Segnalazioni

Il ricevitore FT210 ha alcuni led di segnalazione (vedere figura 30) che forniscono delle segnalazioni luminose in base allo stato di funzionamento.



30

Tabella 5: segnalazioni

Led L (rosso)	Causa	Azione
2 lampeggi brevi pausa 2 lampeggi brevi	Segnalazione batteria scarica sul TX.	Sostituire quanto prima la batteria sul trasmettitore con una dello stesso modello.
Led L1 (rosso)	Causa	Azione
Lampeggio regolare	La frequenza di lampeggio indica la bontà della ricezione: più lento è il lampeggio e migliore è la ricezione.	Tutto Ok se il lampeggio è lento: massimo 3 al secondo, altrimenti occorre controllare l'allineamento tra TX ed RX.
Acceso	Assenza di segnale, il contatto "FOTO" rimane aperto.	Rimuovere l'ostacolo oppure migliorare l'allineamento tra TX e RX.
4 lampeggi brevi pausa 4 lampeggi brevi	Il trasmettitore è in modalità LENTA.	Tutto OK se il cancello è fermo.
5 lampeggi brevi pausa 5 lampeggi brevi	Il ricevitore capta del segnale infrarosso non riconoscibile che interferisce.	Un trasmettitore estraneo invia un segnale verso il ricevitore, cercare di eliminare l'interferenza; controllare l'allineamento di tutti i dispositivi presenti.
7 lampeggi brevi pausa 7 lampeggi brevi	Il ricevitore capta il segnale infrarosso di un secondo trasmettitore FT210.	Eliminare il secondo trasmettitore. Due trasmettitori FT210 non possono essere posti sulla stessa area.
Led L2 (giallo)	Causa	Azione
Acceso	Segnala errore nel test ad inizio manovra ed il trasmettitore non è commutato in modo VELOCE.	Errore nel collegamento o programmazione dell'ingresso FOTOTEST. Probabile cattivo funzionamento del sensore di movimento.
Spento	Il test ad inizio dell'ultima manovra è stato regolare.	Tutto OK
Led L3 (rosso)	Causa	Azione
Acceso (contatto ALT: aperto)	Il bordo sensibile collegato al trasmettitore è attivato.	Verificare le cause dell'attivazione del bordo.
Spento (contatto ALT: chiuso)	Il bordo sensibile collegato al trasmettitore non è attivato.	Tutto OK
Led L4 (verde)	Causa	Azione
Acceso (contatto ALT: chiuso)	Il bordo sensibile collegato al trasmettitore non è attivato.	Tutto OK
Spento (contatto ALT: aperto)	Il bordo sensibile collegato al trasmettitore è attivato.	Verificare le cause dell'attivazione del bordo.

5.5) Risoluzione dei problemi

Nella tabella 6 è possibile trovare utili indicazioni per affrontare casi di malfunzionamento in cui è possibile incorrere durante l'installazione o a causa di un guasto.

Sintomi	Verifiche consigliate
Non è possibile comandare il cancello; tutti i led su ricevitore di FT210 sono spenti.	Verificare se il ricevitore è alimentato misurando la tensione sui morsetti 12/24V.
Il cancello inizia il movimento ma dopo 1 secondo si ferma; il led 2 (giallo) è acceso.	Non è andato a buon fine il test ad inizio manovra ed è probabile un errore nei collegamenti o di programmazione o un guasto nel sensore di movimento del cancello presente nel TX.
Durante la corsa il cancello si ferma o inverte la manovra; il led L1 (rosso) si è acceso fisso.	Verificare eventuali ostacoli o l'allineamento tra TX e RX lungo tutta la corsa del cancello.
Durante la corsa il cancello si ferma o inverte la manovra; il led L3 (rosso) è acceso e il led L4 (verde) è spento.	E' intervenuto il bordo sensibile. Rimuovere l'eventuale ostacolo o controllare il corretto funzionamento del bordo.
Ogni tanto, durante la corsa il cancello si ferma o inverte la manovra; a cancello aperto il led L1 (rosso) lampeggia velocemente.	Verificare l'allineamento tra TX e RX lungo tutta la corsa del cancello.
All'accensione del dispositivo, il ricevitore presenta il led L2 giallo acceso ed il led L1 rosso lampeggiante. Se viene oscurato il fascio infrarosso, il led L1 rosso si accende fisso, ma non si sente scattare nessun relè.	Il ricevitore è impostato in modalità Fototest (JP1 inserito), ma non ha eseguito ancora il test ad inizio manovra. Se si dispone di centrale con fototest, lasciare inserito il ponticello JP1 del ricevitore, verificare i collegamenti e far eseguire una manovra all'automazione. Se la centrale non dispone di uscita Fototest, sicuramente il ponticello JP1 è posto erroneamente inserito. Disinserire il ponticello e verificare che il relè scattino oscurando il fascio infrarosso.
Ogni tanto, durante la corsa il cancello si ferma o inverte la manovra; talvolta si blocca del tutto e non è possibile comandarlo; il led L (rosso) fa continuamente 2 brevi lampeggi.	La batteria nel TX è scarica e nelle condizioni più sfavorevoli non avviene la comunicazione tra TX ed RX. Il lampeggio del led L (rosso) indica che è necessario cambiarla.

6) Manutenzione

La manutenzione di FT210 non necessita di accorgimenti particolari, ma è necessario un controllo almeno ogni 6 mesi nel quale venga verificato lo stato del fotodispositivo FT210 (presenza di umidità, ossidi, ecc.), venga eseguita la pulizia dell'involucro esterno, e rieseguito il collaudo come descritto nel capitolo 4 "Collaudo". FT210 è stato studiato per funzionare in condizioni normali almeno 10 anni, è opportuno intensificare la frequenza di manutenzione trascorso questo periodo.

7) Smaltimento

Come per l'installazione, anche al termine della vita di questo prodotto, le operazioni di smaltimento devono essere eseguite da personale qualificato. Questo prodotto è costituito da vari tipi di materiali, alcuni possono essere riciclati altri devono essere smaltiti; informatevi sui sistemi di riciclaggio o smaltimento previsti dai regolamenti locali per questa categoria di prodotto.

Attenzione: alcune parti del prodotto possono contenere sostanze inquinanti o pericolose, se disperse potrebbero provocare effetti dannosi sull'ambiente e sulla salute umana.

Come indicato dal simbolo di figura 31 è vietato gettare questo prodotto nei rifiuti domestici. Eseguire la "raccolta separata" per lo smaltimento secondo i metodi previsti dai regolamenti locali;

oppure riconsegnare il prodotto al venditore nel momento dell'acquisto di un nuovo prodotto equivalente. Regolamenti locali possono prevedere pesanti sanzioni in caso di smaltimento abusivo di questo prodotto.



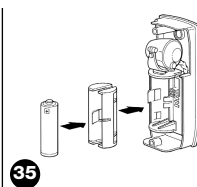
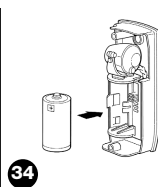
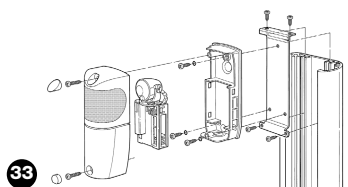
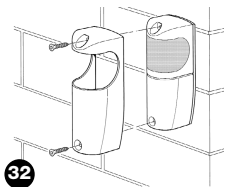
Attenzione: il prodotto funziona con batterie che potrebbero contenere sostanze inquinanti e quindi non devono essere buttate nei rifiuti comuni. Dopo averle rimosse dal prodotto (vedere il paragrafo "Sostituzione batteria" al capitolo "Istruzioni ed avvertenze destinate all'utilizzatore di FT210B") occorre smaltirle secondo i metodi previsti, per le batterie, dai regolamenti locali".

8) Accessori

Sono disponibili i seguenti accessori:

- FA1: contenitore metallico antivandalico, da montare come in figura 32.
- FA2: staffa di fissaggio su colonnine "MOCF", da montare come in figura 33.

- FA1: batteria 3,6V; 7Ah taglia C, da montare come in figura 34.
- FA2: batteria 3,6V; 2Ah taglia AA, da montare come in figura 35.



9) Caratteristiche tecniche

Allo scopo di migliorare i prodotti, NICE S.p.a. si riserva il diritto di modificare le caratteristiche tecniche in qualsiasi momento e senza preavviso, garantendo comunque funzionalità e destinazione d'uso previste. Nota: tutte le caratteristiche tecniche sono riferite alla temperatura di 20°C.

Caratteristiche tecniche FT210	
Tipologia	Dispositivo per la trasmissione via ottica dello stato di un bordo sensibile di tipo a resistenza costante posto su parti in movimento; composto da un trasmettitore a raggi infrarossi (TX) alimentato a batteria posto sull'anta in movimento nel quale viene collegato il bordo sensibile e da un ricevitore (RX) posto nella parte fissa.
Tecnologia adottata	Trasmissione per interpolazione ottica diretta TX-RX con raggio infrarosso modulato e codificato.
Alimentazione ricevitore	12÷24Vac/dc; limiti: 10÷35 Vcc; 11÷28Vac 50/60Hz; con trasformatore d'isolamento conforme a EN 61558.
Corrente assorbita ricevitore	Circa 120mA a 12Vcc; 70mA a 24Vac.
Tensione ingresso "Fototest"	Stessi limiti di "Alimentazione ricevitore".
Alimentazione trasmettitore	3,6V con batterie al litio tipo C oppure AA.
Durata batteria trasmettitore	Stimata in circa oltre 15 anni con batteria tipo C, capacità 7Ah; (uso "residenziale": distanza TX-RX fino a 7m; con 20 manovre al giorno della durata di 90s). Stimata in circa 5,5 anni con batteria tipo C, capacità 7Ah; (uso "industriale": distanza TX-RX fino a 15m; con 200 manovre al giorno della durata di 90s). Stimata in circa 6 anni con batteria tipo AA, capacità 2Ah; (uso "residenziale": distanza TX-RX fino a 7m; con 20 manovre al giorno della durata di 90s).
Gamma dell'ingresso del dispositivo Sensibile (Rs)	Tipico 8,2K Ω +22%/-65% per lo stato di attivo (On) Limiti stato attivo (On): con Rs > 2.870 Ω e Rs < 10.010 Ω Limiti stato disattivo (Off): con Rs < 2.590 Ω o Rs > 11.060 Ω
Capacità di rilevamento del rivelatore di presenza tipo D	Oggetti opachi posti sull'asse ottico tra TX-RX con dimensioni maggiori di 50mm e velocità minore di 1,6m/s.
Angolo di trasmissione TX	+/- 4° (valore rilevato al 50% della portata).
Angolo di ricezione RX	+/- 3° (valore rilevato al 50% della portata).
Orientabilità	circa 210° nell'asse orizzontale e 30° nell'asse verticale.
Portata utile	7m oppure 15m (con JP1 su TX inserito) con disassamento TX-RX massimo \pm 2° (la portata potrebbe ridursi ulteriormente in caso di fenomeni atmosferici particolarmente intensi: nebbia, pioggia, neve, polvere, ecc.).
Portata massima (in condizioni ottimali)	15m oppure 30m (con JP1 su TX inserito) con disassamento TX-RX massimo \pm 2°.
Tempo di risposta uscita FOTO	<45ms (tipico 31ms).
Tempo di risposta uscita ALT	<30ms (tipico 28ms).
Tempo di risposta uscita ALT1	1,5s \pm 3%.
Categoria di resistenza ai guasti	3 oppure 2 (secondo la norma EN 954-1) a seconda del tipo di collegamento delle uscite ed ingresso FOTOTEST
Capacità contatti relè in uscita	Massimo 0.5A e massimo 48Vac (carico resistivo: $\cos\phi=1$).
Durata contatti relè in uscita	Vita meccanica > 1.000.000 cicli; elettrica > 200.000 cicli (carico resistivo: 0,25A; 24Vcc).
Utilizzo in atmosfera acida, salina o potenzialmente esplosiva	No.
Montaggio	RX: verticale a parete o su colonnina "MOCF" con staffa di fissaggio "FA2". TX: direttamente sul cancello con viti fornite in dotazione.
Grado di protezione contenitore	IP44.
Temperatura di esercizio	-20 ÷ 55°C.
Dimensioni	46 x 128 h 45mm.
Peso	Ricevitore: 135g. Trasmettitore 165g con FTA1 oppure 140g con FTA2.

Istruzioni ed avvertenze destinate all'utilizzatore di FT210

Queste istruzioni possono integrare le "Istruzioni ed avvertenze per l'uso dell'automazione" che l'installatore deve consegnare al proprietario dell'automazione e comunque devono essere integrate da esse.

- **Manutenzione:** Come ogni macchinario la vostra automazione ha bisogno di una manutenzione periodica affinché possa funzionare più a lungo possibile ed in completa sicurezza. Concordate con il vostro installatore un piano di manutenzione con frequenza periodica; Nice consiglia un intervento ogni 6 mesi per un normale utilizzo domestico, ma questo periodo può variare in funzione dell'intensità d'uso. Qualunque intervento di controllo, manutenzione o riparazione deve essere eseguito solo da personale qualificato.
- Anche se ritenete di saperlo fare, non modificate l'impianto ed i parametri di programmazione e di regolazione dell'automazione: la responsabilità è del vostro installatore.
- Il collaudo, le manutenzioni periodiche e le eventuali riparazioni devono essere documentate da chi le esegue e i documenti conservati dal proprietario dell'impianto.
- Gli unici interventi che vi sono possibili e vi consigliamo di effettuare periodicamente sono la pulizia dei vetri delle fotocellule e la rimozione di eventuali foglie o sassi che potrebbero ostacolare l'automatismo. Per impedire che qualcuno possa azionare il cancello, prima di procedere, ricordatevi di sbloccare l'automatismo e di utilizzare per la pulizia solamente un panno leggermente inumidito con acqua.
- Smaltimento: Al termine della vita dell'automazione, assicuratevi che lo smantellamento sia eseguito da personale qualificato e che i materiali vengano riciclati o smaltiti secondo le norme valide a livello locale.
- **Sostituzione della batteria** del trasmettitore di FT210.
Il trasmettitore, posto nell'anta in movimento del cancello, dispone di una speciale batteria al litio da 3,6V. La durata stimata è di diversi anni; dipende delle condizioni d'utilizzo. E' prevista una segnalazione qualche mese prima che la batteria si sia completamente esaurita in modo che abbiate il tempo per la sostituzione.

E' il momento di cambiare la batteria se nel ricevitore posto nella parte fissa (a muro come in figura A o su colonnina come in figura B) notate questa segnalazione: **2 lampeggi brevi seguiti da una pausa di 1 secondo**.

La batteria è nel **trasmettitore** posto nell'anta del cancello; per la sostituzione occorre:

- 1) Togliere i tappi che coprono le viti come in figura C.
- 2) Svitare le viti che fissano il coperchio e toglierlo come in figura C.
- 3) Togliere la batteria esaurita facendo leva con un cacciavite.
- 4) Aspettare circa 10 secondi prima di inserire la batteria nuova.
- 5) Porre attenzione alla polarità: il positivo è verso l'alto.
- 6) Inserire la nuova batteria come da figure D o E, in base al modello utilizzato.
- 7) Fissare il coperchio con le viti ed inserire gli appositi tappi.

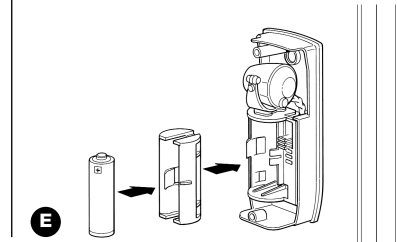
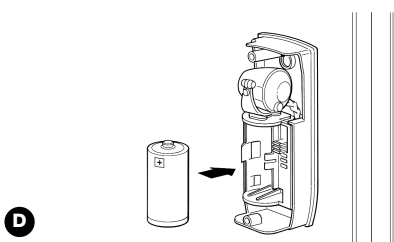
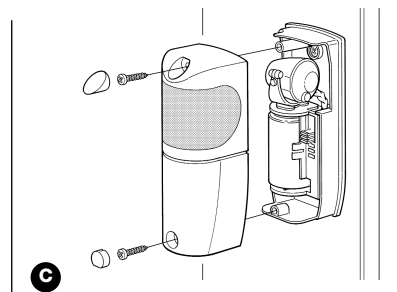
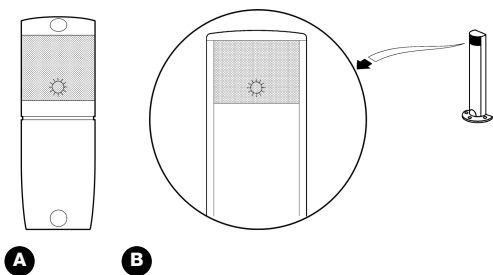
Sono disponibili 2 tipi di batteria:

- **FTA1:** batteria 3,6V; 7Ah taglia C, da montare come in figura D.
- **FTA2:** batteria 3,6V; 2Ah taglia AA, da montare come in figura E.

Attenzione: le batterie utilizzate in questo prodotto non sono normali batterie alcaline.

Richiedere a Nice s.p.a. i kit batteria di ricambio "FTA1" o "FTA2".

Attenzione: il prodotto funziona con batterie che potrebbero contenere sostanze inquinanti e quindi non devono essere buttate nei rifiuti comuni. Dopo averle rimosse dal prodotto (vedere il paragrafo "Sostituzione batteria" al capitolo "Istruzioni ed avvertenze destinate all'utilizzatore di FT210B") occorre smaltirle secondo i metodi previsti, per le batterie, dai regolamenti locali".



1) Avertissements

Ce manuel d'instructions contient des informations importantes concernant la sécurité pour l'installation, il faut lire toutes les instructions avant de procéder à l'installation. Conserver avec soin ce manuel également pour des consultations futures. Compte tenu des dangers qui peuvent se vérifier durant l'installation et l'utilisation de FT210, pour le maximum de sécurité il faut que l'installation soit faite dans le plein respect des lois, normes et règlements.

D'après la législation européenne la plus récente, l'automatisation d'une porte ou d'un portail possède les caractéristiques prévues par la Directive 98/37/CE (Directive Machines) et en particulier par les normes: EN 13241-1 (norme harmonisée); EN 12445; EN 12453 et EN 12635, qui permettent de déclarer la conformité à la directive machines.

D'autres informations et les conseils pour l'analyse des risques et la réalisation du dossier technique sont disponibles sur le site: "www.niceforyou.com". La présente notice est destinée uniquement au personnel technique qualifié pour l'installation. Aucune autre information contenue dans la présente notice ne peut être considérée comme intéressante pour l'utilisateur final!

- Une utilisation de FT210 différente de ce qui est prévu dans cette notice est interdite; des utilisations impropres peuvent être source de dangers ou de dommages aux personnes et aux choses.
- Ne pas effectuer de modifications sur aucune des parties si elles ne sont pas prévues dans le présent manuel. Des opérations de ce type entraîneront obligatoirement des problèmes de fonctionnement. NICE décline toute responsabilité pour les dommages dérivant de produits modifiés.
- FT210 doit fonctionner exclusivement par interpolation directe TX-RX; l'utilisation par réflexion est interdite.

- Pour les connexions électriques, utiliser des conducteurs adéquats conformément aux indications du chapitre «installation».
- S'assurer que l'alimentation électrique et les autres paramètres d'utilisation correspondent aux valeurs contenues dans le tableau des «caractéristiques techniques».
- La réalisation de dispositifs de sécurité pour portes et portails automatiques est soumise aux normes suivantes:
 - EN 12453 Portes et portails équipant les locaux industriels et commerciaux et les garages. Sécurité à l'utilisation des portes motorisées - Prescriptions.
 - EN 12978 - Portes et portails équipant les locaux industriels et commerciaux et les garages. Dispositifs de sécurité pour portes et portails motorisés - Prescriptions et méthodes d'essai.

L'installation et la connexion de FT210 dans le but de réaliser un dispositif de sécurité, sans satisfaire les exigences essentielles de ces normes, équivaut à une négligence et constitue un abus délibéré!

Avertissements particuliers sur l'appropriation à l'utilisation de ce produit par rapport à la Directive «Compatibilité électromagnétique» 89/336/CEE et modifications successives 92/31/CEE et 93/68/CEE:

Ce produit a été soumis aux essais relatifs à la compatibilité électromagnétique dans les situations d'utilisation les plus critiques, dans les configurations prévues dans ce manuel d'instructions et associé avec les articles présents dans le catalogue de produits de Nice S.p.A. La compatibilité électromagnétique pourrait ne pas être garantie si le produit est utilisé dans des configurations ou avec d'autres produits non prévus; l'utilisation du produit dans ces situations est interdite tant que l'installateur n'a pas vérifié la conformité aux critères prévus par la directive.

2) Description du produit et application

FT210 est un dispositif qui permet de résoudre le problème des connexions électriques de bords sensibles placés sur les vantaux en mouvement. Il est composé d'un émetteur à rayons infrarouges (TX), alimenté par une batterie longue durée, qui doit être placé sur le vantail mobile sur lequel se trouve le bord sensible. Il est complété par un récepteur (RX) placé dans la partie fixe et alimenté normalement: 12÷24 Vca/cc.

Le bord sensible, du type à résistance constante 8,2K Ω , est vérifié continuellement par l'émetteur et l'état d'activation ou pas est envoyé au récepteur. Le récepteur RX interprète l'information reçue et suivant l'état du bord sensible, actif ou pas, les 2 relais de sortie ALT et ALT1 (et PHOTO si le cavalier JP2 du récepteur est déconnecté. Voir le Tableau 2). La communication entre TX et RX est codée avec des techniques haute sécurité telles que tout le dispositif satisfait la catégorie 3 de sécurité aux pannes selon la norme EN 954-1 et est donc utilisable dans des systèmes PSPE conformes à la norme EN 12978.

Le dispositif à photocellules FT210 assemblé conformément aux instructions et complété par le bord sensible TCB65, a été certifié par le producteur comme étant conforme aux normes suivantes:

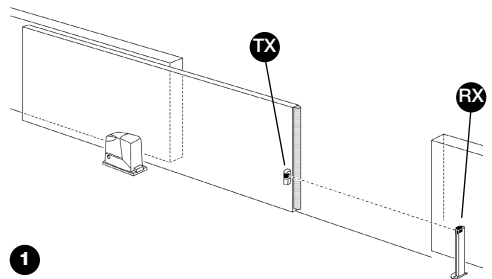
- EN 954-1 Sécurité des machines - Parties des systèmes de commande relatives à la sécurité - Principes généraux de conception
- EN 1760-2 Sécurité des machines - Dispositifs de protec-

tion sensibles à la pression - Principes généraux de conception et d'essai des bords et barres sensibles à la pression.

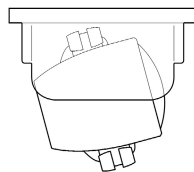
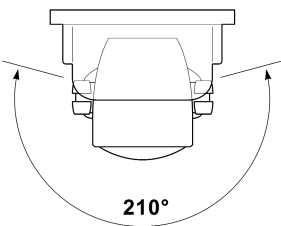
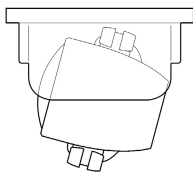
- EN 12978 - Portes et portails équipant les locaux industriels et commerciaux et les garages. Dispositifs de sécurité pour portes et portails motorisés - Prescriptions et méthodes d'essai.

Attention: FT210 seul n'est pas un dispositif de sécurité complet mais seulement une partie du dispositif!

Si TX et RX sont positionnés de manière que la communication optique s'effectue à travers le passage (voir figure 1), le dispositif peut être utilisé également comme détecteur de présence (type D selon la norme EN 12453); en effet, un objet qui interrompt le rayon provoque la désactivation du troisième relais spécifique de sortie PHOTO.



Avec la possibilité d'orientation de 210° sur l'axe horizontal et de 30° sur l'axe vertical, FT210 est également utilisable dans les cas où les surfaces de fixation ne permettent pas un alignement TX-RX correct (voir figure 2).



2

3) Installation

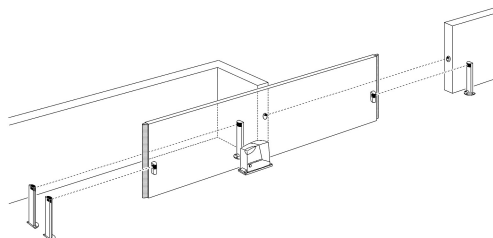
⚠ Toutes les opérations d'installation doivent être effectuées sans tension dans l'installation; si la batterie tampon est présente, il faut la déconnecter.

3.1) Contrôles préliminaires

Vu la particularité et le caractère unique du produit, avant de procéder à l'installation il faut évaluer certains aspects relatifs au principe de fonctionnement afin d'obtenir le maximum de sécurité et de fonctionnalité.

- Vérifier attentivement que les paramètres d'utilisation sont compatibles avec les données figurant dans le chapitre «caractéristiques techniques». En cas de doute, ne pas utiliser le produit et demander des éclaircissements au service après-vente Nice.
- L'émetteur vérifie continuellement l'état du bord sensible et envoie l'information au récepteur. Pour réduire l'usure de la batterie tout en maintenant le niveau de sécurité demandé, cette activité est effectuée à 2 «vitesses» différentes: LENTE quand le portail est arrêté; RAPIDE quand le portail est en mouvement. L'émetteur reconnaît l'état de portail en mouvement à travers un capteur spécial qui détecte les vibrations du portail en mouvement. Dès que le portail commence le mouvement, l'émetteur passe en mode RAPIDE et y reste jusqu'à ce que le portail reste arrêté pendant 10 ou 90 secondes (voir cavaliers JP2 et JP3 dans le tableau 1).
- Pour garantir le niveau de sécurité demandé, le récepteur doit connaître l'état du portail, surtout pour vérifier l'état du portail si la modalité LENTE ou RAPIDE de l'émetteur est correcte. Ce contrôle s'effectue à travers l'entrée «PHOTOTEST» du récepteur (voir aussi les exemples de connexion, figures 18 et 19). Généralement, dans les logiques de commande, un «Phototest» est effectué à chaque début de manœuvre; de cette manière le récepteur de FT210 est informé que le mouvement du portail commencera juste après.
- Si la logique de commande ne dispose pas de Phototest, on peut utiliser quand même le dispositif FT210 en connectant l'entrée PHOTOTEST de FT210 à la sortie SCA (voyant Portail ouvert) de la logique; dans ce cas, il faut avoir sur la sortie SCA un signal intermittent (clignotement) pendant toute la durée de la manœuvre (voir exemple de connexion figure 20).
- Si la logique de commande ne dispose pas non plus de la sortie SCA, FT210 devra être programmé en modalité RAPIDE continue en désactivant le cavalier JP3 sur le TX (voir tableau 1).

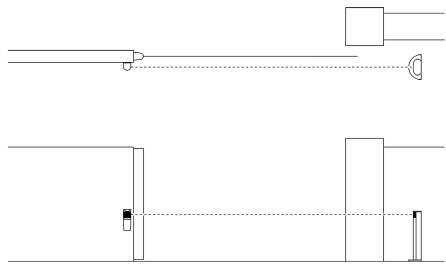
- Dans les logiques où le PHOTOTEST est exécuté seulement au début de la manœuvre et où il y a une fermeture automatique, la retenue de 90 secondes est nécessaire dans la commutation de modalité RAPIDE à LENTE à l'arrêt du portail (voir JP2 dans le tableau 1). De cette manière, le TX restera en mode RAPIDE pendant tout le temps d'ouverture du portail. Évidemment, le temps de pause de la logique de commande doit être inférieur à 90 secondes.
 - FT210 a été conçu pour ne pas gêner les autres photocellules et pour ne pas être gêné par elles; cela signifie que FT210 peut être associé à d'autres photocellules. Le fonctionnement avec au moins une autre paire de photocellules produites par Nice est garanti alors que le fonctionnement avec plus d'une paire ou avec des photocellules d'autres producteurs pourrait ne pas être garanti. Dans tous les cas, pour exclure l'influence d'autres dispositifs, effectuer scrupuleusement la procédure d'essai prévue au chapitre 4 et vérifier la signalisation spécifique dans le tableau 5. Dans tous les cas, on peut mettre deux dispositifs FT210 pour contrôler les zones situées devant et derrière un même portail, vu que dans ce cas les deux TX envoient le signal dans deux directions opposées.
 - On ne peut pas installer deux dispositifs FT210 pour contrôler la même zone; si un récepteur devait détecter le signal de deux émetteurs, il se mettrait dans l'état de «sécurité» en empêchant le mouvement du portail. Voir la signalisation spécifique dans le tableau 5.
- Un exemple d'installation correcte est illustré dans la figure 3.



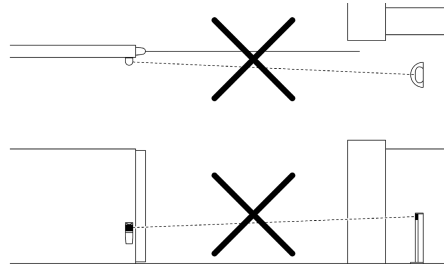
3

- L'émetteur TX de la photocellule FT210 émet un rayon avec un angle d'environ $\pm 4^\circ$, on doit donc avoir un alignement parfait entre TX et RX qui doit rester constant sur toute la course du portail.

La figure 4 illustre un montage correct; la figure 5 donne deux exemples de montage incorrect.

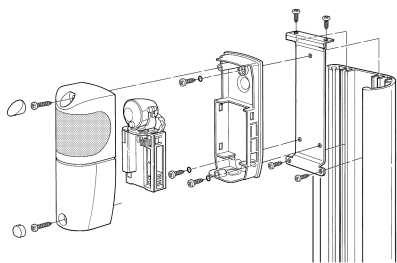


4

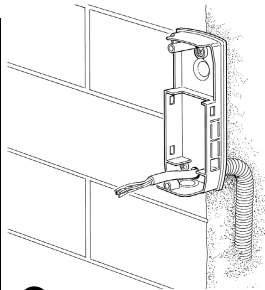


5

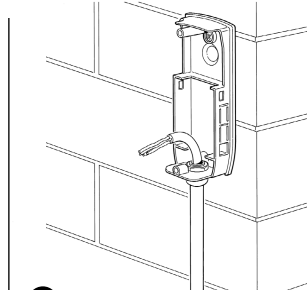
- Suivant les besoins, le récepteur peut être installé sur une colonne MOCF avec l'accessoire spécifique FA2 (voir figure 6), ou fixé au mur; dans ce cas, l'entrée du câble peut s'effectuer par le fond (voir fig. 7), il faut alors ajouter un presse-étoupe de type PG9 (voir fig. 8).



6



7

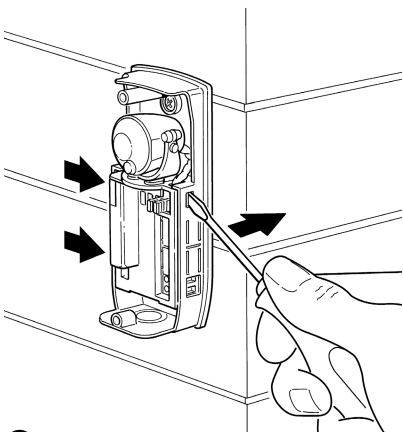


8

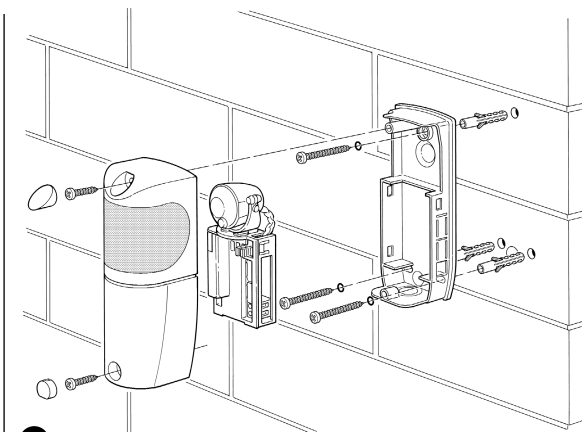
3.2) Fixation des dispositifs

Installer et fixer les dispositifs en exécutant dans l'ordre les opérations ci-dessous:

1. Pour faciliter les opérations de fixation, on peut détacher la carte électronique du fond en faisant levier avec un tournevis dans les trois encastrement, comme l'indique la figure 9.
2. Effectuer la fixation du récepteur comme l'indique la figure 10.



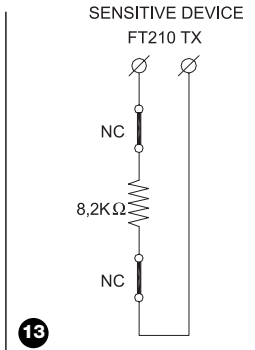
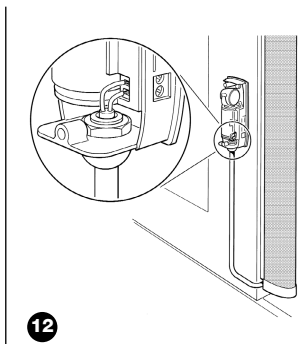
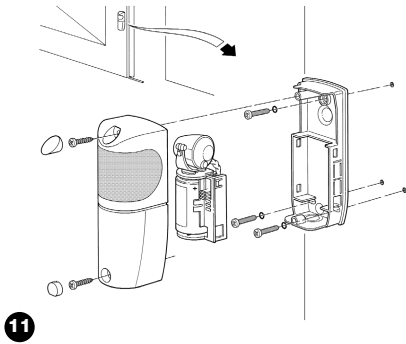
9



10

3. Monter l'émetteur sur le vantail mobile comme l'indique la figure 11.

4. Sur l'émetteur, effectuer la connexion électrique du bord sensible, du type à résistance constante $8,2K\Omega$, comme l'indique la figure 12. La résistance présente sur les bornes du TX doit être enlevée et utilisée comme terminaison du bord sensible ou bien, on peut ne pas l'utiliser si le bord dispose d'une résistance de terminaison.



Si le bord sensible dispose de sortie avec 2 contacts NF disponibles séparément, on peut la connecter comme l'indique la figure 13 en mettant la résistance de $8,2K\Omega$ en série entre les deux contacts. Vérifier que le constructeur du bord sensible déclare au moins la catégorie 3 de sécurité en cas de panne conformément à la norme EN 954-1.

ATTENTION: ne pas utiliser de bords sensibles qui ont comme sortie un simple contact de type NF, il n'aurait pas la catégorie de résistance aux pannes requise par les normes.

5. Effectuer les connexions électriques conformément aux instructions de la notice technique de la logique de commande. Voir également les exemples de connexion dans le chapitre 3.3 «Connexions électriques».

6. Orienter les verres devant le TX et du RX de manière à obtenir un alignement parfait du TX et du RX. L'alignement correct sera vérifié ensuite dans le chapitre 4 «Essais».

7. Programmer les cavaliers présents tant sur TX que sur RX (voir figure 15) pour le fonctionnement désiré suivant les indications du tableau 1 et 2. Pour les utilisations futures, remettre les éventuels cavaliers inutilisés dans le logement spécifique (voir figures 16 et 17).

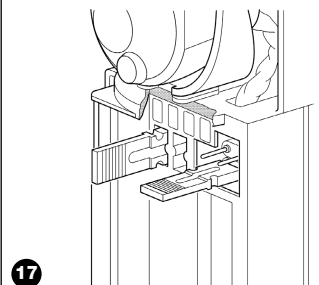
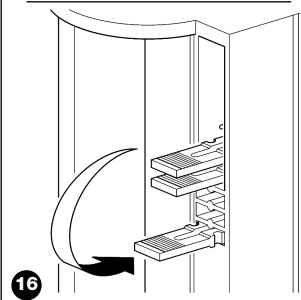
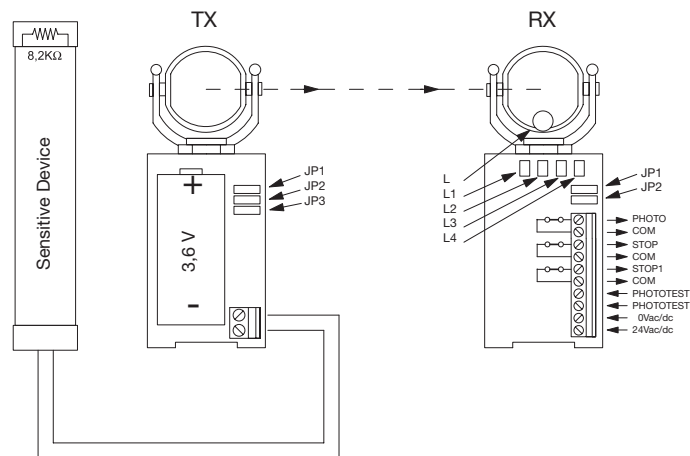
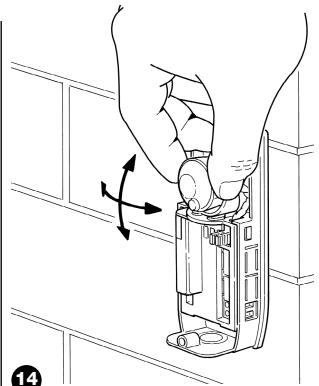


Tableau 1: cavaliers sur l'émetteur TX

Cavaliere	Position	Description
JP1	Connecté	Puissance de l'émetteur adaptée à des portails jusqu'à 15 mètres.
	Déconnecté	Puissance de l'émetteur adaptée à des portails jusqu'à 7 mètres.
JP2	Connecté	Commute en transmission LENTE au bout de 10 secondes à la fin de la manœuvre (voir aussi JP3).
	Déconnecté	Commute en transmission LENTE au bout de 90 secondes à la fin de la manœuvre (voir aussi JP3).
JP3	Connecté	A la fin de la manœuvre, commute en transmission LENTE.
	Déconnecté	Ne commute jamais en transmission LENTE mais reste toujours en manière RAPIDE.

Tableau 2: cavaliers sur le récepteur RX

Cavaliere	Position	Description
JP1	Connecté	Entrée Phototest connectée à la sortie Phototest de la logique de commande.
	Déconnecté	Entrée Phototest connectée à la sortie S.C.A. de la logique de commande; ou entrée Phototest déconnectée si la logique ne dispose ni de Phototest ni de sortie SCA (attention: possible seulement avec JP3 sur TX déconnecté)
JP2	Connecté	L'interruption du rayon infrarouge provoque l'ouverture du contact PHOTO. L'activation du bord sensible provoque l'ouverture du contact STOP et au bout d'1,5 s celle du contact STOP1.
	Déconnecté	L'interruption du rayon infrarouge provoque l'ouverture du contact PHOTO. L'activation du bord sensible provoque l'ouverture du contact PHOTO et au bout d'1,5 s celle des contacts STOP et STOP1. À utiliser dans les logiques de commande qui ne prévoient pas l'inversion avec intervention de STOP.

3.3) Branchements électriques

Ce chapitre décrit les connexions électriques et indique certains schémas de connexion possibles suivant le type de logique de commande utilisée pour l'automatisation. En cas de doute, ne pas utiliser le produit et demander des éclaircissements au service après-vente Nice.

Tableau 3: liste des connexions

Connexion	Type de câble	Longueur maximum	Description
12÷24V	2x0,5mm ²	30m	Alimentation du récepteur: en courant continu ou en courant alternatif.
Phototest	2x0,25mm ²	30m	Entrée pour test au début de la manœuvre; elle peut être connectée à des tensions en courant continu ou en courant alternatif; elle n'est pas influencée par les bornes d'alimentation.
Contacts sortie	2x0,25mm ²	30m	Contacts des relais de sortie; normalement fermés (NF) quand le récepteur est alimenté et en état d'actif (voir tableau 4)

Tableau 4: description sorties RX

Sortie	Contact relais	Description
PHOTO	Fermé	Il n'y a pas d'obstacles et il y a réception correcte des données transmises par le TX.
	Ouvert	Il y a des obstacles et il n'y a pas de réception des données transmises par le TX.
STOP	Fermé	Le bord sensible connecté sur le TX n'est pas soumis à pression.
	Ouvert	Le bord sensible connecté sur le TX est soumis à pression.
L'uscita ALT deve essere collegata all'ingresso della centrale che provoca l'arresto e l'eventuale l'inversione del movimento, normalmente destinato ai dispositivi di sicurezza sensibili alla pressione PSPE.		
STOP1	Fermé	Le bord sensible connecté sur le TX n'est pas soumis à pression.
	Ouvert	Au bout d'1,5 s, si le bord sensible connecté sur le TX est soumis à pression.

La sortie STOP doit être connectée à l'entrée de la logique qui provoque l'arrêt et l'éventuelle inversion de mouvement, normalement destinée aux dispositifs de sécurité sensibles à la pression PSPE.

Si la logique est dépourvue de cette deuxième entrée, il est possible:

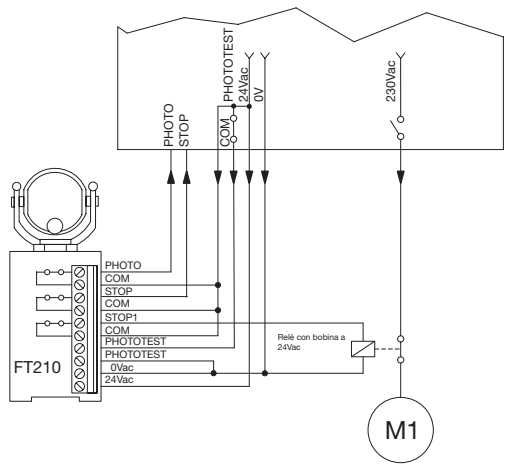
- d'utiliser la sortie STOP1 pour commander un relais de puissance adéquate qui coupe l'alimentation directement au moteur (voir figure 18).
- de ne pas utiliser la sortie STOP1 et désactiver JP2 sur le RX, dans ce cas l'activation du bord sensible provoque l'ouverture du contact PHOTO en garantissant dans ce cas aussi la catégorie 3 de sécurité aux pannes.

3.3.1) Exemple de connexion générique

La figure 16 donne un exemple de connexion de FT210 à une logique générique avec entrées PHOTO, STOP et munie de sortie pour Phototest. Dans cette configuration, régler les cavaliers du récepteur RX de la façon suivante:

- JP1 **connectée**
- JP2 **connectée**, si l'activation de l'entrée ALT de la logique de commande provoque l'arrêt de l'inversion du mouvement (dans ce cas, le relais connecté à ALT1 dans la figure 18 peut être éliminé et le contact de ALT1 doit être mis en série à PHOTO et connecté à l'entrée de PHOTO de la logique comme dans la figure 19 et 20) **déconnectée**, si l'activation de l'entrée ALT de la logique provoque seulement l'arrêt du mouvement

18

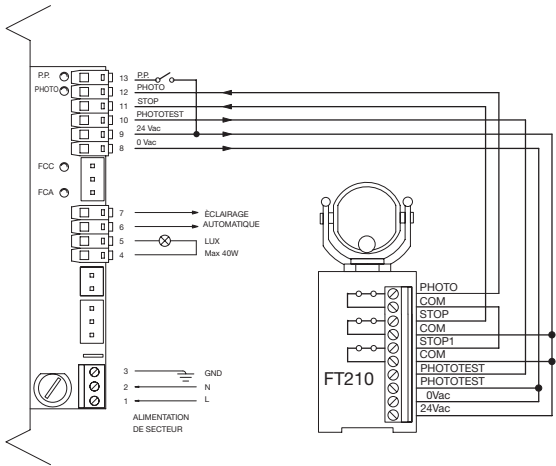


3.3.2) Exemple de connexion avec logique munie de "Phototest"

Dans la figure 19 un exemple de connexion de FT210 à la logique de l'opérateur ROBO modèle «RO300» avec l'emploi de la fonction de Phototest. Dans cette configuration, régler les cavaliers du récepteur RX de la façon suivante:

- JP1 **connecté**
- JP2 **connecté**, (logique avec inversion du mouvement à l'activation de l'entrée de ALT)

19



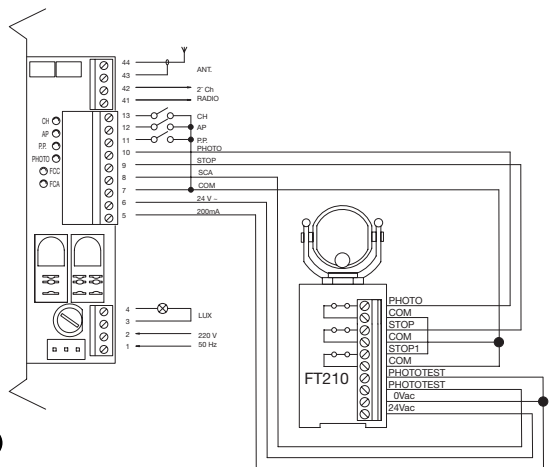
3.3.3) Exemple de connexion avec logique munie de sortie SCA

Dans la figure 20, un exemple de connexion de FT210 à la logique de l'opérateur ROBO modèle «RO1000» avec l'emploi de la sortie SCA.

Dans cette configuration, régler les cavaliers du récepteur RX de la façon suivante:

- JP1 **déconnecté**
- JP2 **connectée** (logique avec inversion du mouvement à l'activation de l'entrée de ALT)

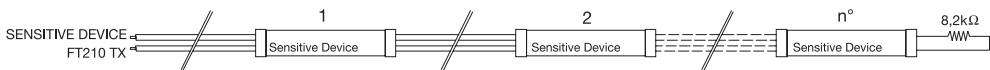
20



3.3.4) Connexion de 2 bords sensibles ou plus

L'émetteur de FT210 dispose d'une seule entrée pour bords sensibles mais deux dispositifs sensibles ou plus qui assurent la même fonction peuvent être connectés en cascade l'un après l'autre comme dans la figure 21, en mettant une seule résistance de terminaison de 8,2k Ω .

Attention: les dispositifs à résistance constante doivent être connectés en cascade et jamais en série ou en parallèle entre eux!



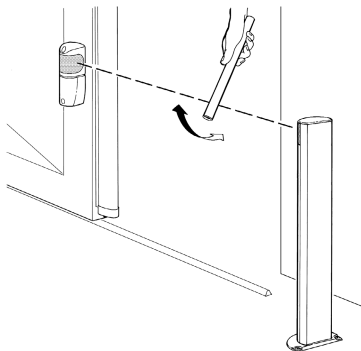
21

4) Essai

Chaque composant de l'automatisme demande une phase de d'essai spécifique. Pour l'essai de FT210, effectuer la série d'opérations ci-après: Si l'automatisme inclut 2 dispositifs, un devant le vantail et l'autre derrière (voir figure 3), la séquence doit être répétée pour chaque dispositif.

Attention: dans certains points, des vérifications sont nécessaires avec le portail en mouvement;vu que l'automatisation POURRAIT ne pas être suffisamment SÛRE il faut faire très attention durant ces essais.he

1. Vérifier que tout ce qui est prévu dans le présent manuel est rigoureusement respecté et en particulier dans les chapitres 1 «Avertissements» et 3 «Installation».
2. Débrayer et ouvrir complètement le vantail de manière à mettre le TX le plus loin possible du RX.
3. Vérifier qu'il n'y a aucun obstacle entre le TX et le RX.
4. Si elle est présente, couper l'alimentation électrique du récepteur et enlever la batterie de l'émetteur.
5. Déconnecter le dispositif du TX puis avec un ohmmètre, mesurer la valeur de résistance du dispositif sensible et vérifier que la valeur est comprise entre 7700 Ω et 8700 Ω (nominale 8200 Ω).
6. Exerger une pression sur le bord sensible pour l'activer et mesurer de nouveau la valeur de la résistance;vérifier que la valeur est inférieure à 1000 Ω oppure superiore a 16500 Ω .
7. Reconnecter le dispositif sensible aux bornes du TX
8. Fournir l'alimentation électrique au récepteur et vérifier que les leds L1 (Ir Level) L2 (Fototest Ko) et L3 (Sensitive Device Ko) sont allumées;vérifier que la led L4 (Sensitive Device Ok) est éteinte (voir figure 30).
9. Enlever le cavalier JP3 sur le TX de manière que celui-ci transmette toujours en mode RAPIDE.
10. Si la distance entre TX et RX dépasse 7m, vérifier que le cavalier JP1 sur le TX est activé (et donc programmé pour des distances jusqu'à 15m).
11. Dans le TX mettre la batterie FTA1 ou FTA2 (voir figures 33 ou 34).
12. Dans le récepteur RX, vérifier que la led L1 (Ir Level) clignote, que les leds L2 (Phototest Ko) et L4 (Sensitive Device Ok) sont allumées et que la led L3 (Sensitive Device Ko) est éteinte.
13. Si nécessaire, améliorer l'alignement en intervenant sur l'orientation des verres du TX et du RX comme indiqué sur la fig. 14. Suivre la signalisation de la led L1(Ir Level) plus la vitesse du clignotement est basse, meilleur est l'alignement;on a un réglage optimal quand la led L1 clignote lentement, au maximum 3 clignotements par seconde.
14. Répéter l'essai en mettant les coques de protection supérieures tant sur TX que sur RX. Noter que sur la coque du RX, il y a un filtre atténuateur qui simule les conditions climatiques adverses qui pourront se vérifier durant l'utilisation.
15. Déplacer le vantail sur toute sa course et vérifier avec le clignotement de la led L1 que l'alignement reste toujours optimal.
16. Pour le contrôle de FT210 dans la partie relative au détecteur de présence optique (type D), et en particulier pour contrôler qu'il n'y a pas d'interférences avec d'autres dispositifs, passer un cylindre d'un diamètre de 50 mm sur l'axe optique, d'abord à proximité de TX, puis de RX, et enfin au centre entre les deux (voir fig. 22). Vérifier que dans tous les cas le dispositif intervient en passant de l'état d'actif à l'état d'alarme (led L1 allumée) et vice versa.



22

17. Pour la vérification de FT210 dans la partie relative au dispositif sensible à la pression PSPE, presser et relâcher le bord sensible comme l'indique la figure 23 et vérifier que la led L4 s'éteint, que la led L3 s'allume et vice-versa.

18. S'il s'agit de la programmation préférée, mettre le cavalier JP3 sur le TX de manière que quelques secondes après la fin du mouvement la transmission commute en modalité LENTE.

19. Si l'opération décrite au point précédent a été effectuée, vérifier qu'à la fin du temps prévu (voir JP2 dans le tableau 1) l'émetteur commute en modalité LENTE. La transmission en modalité LENTE se reconnaît parce que la led L1 fait plusieurs fois quatre clignotements brefs suivis d'une pause.

20. Accrocher mécaniquement le vantail au moteur et effectuer une manœuvre commandée du portail. Vérifier dans l'intervalle qu'au début de la manœuvre la led L2 s'éteint en indiquant que le test du capteur qui détecte les vibrations du portail en mouvement s'est conclu positivement.

21. Effectuer plusieurs manœuvres commandées du portail et vérifier que l'ouverture et la fermeture s'effectuent correctement et sans inversions du mouvement.

22. Effectuer d'autres manœuvres et durant la manœuvre de fermeture, intervenir sur le détecteur de présence optique comme l'indique le point 15 et vérifier que cela provoque l'action prévue, par exemple l'inversion de mouvement.

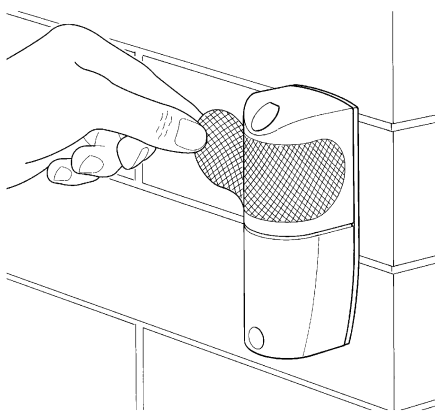
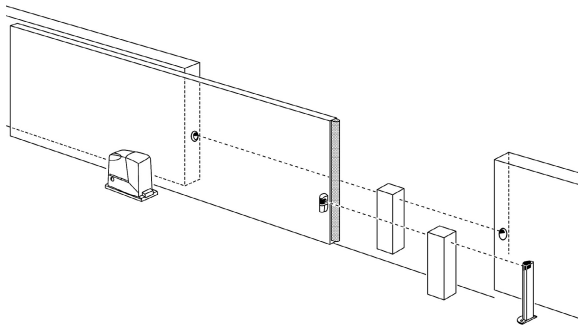
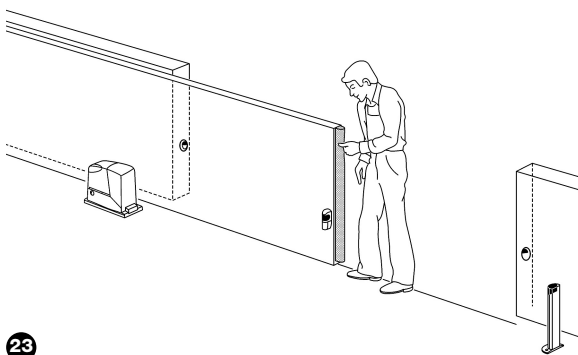
23. Effectuer d'autres manœuvres et durant la manœuvre de fermeture, intervenir sur le bord sensible comme l'indique le point 16 et vérifier que cela provoque l'action prévue, par exemple l'inversion de mouvement.

24. Le contrôle de FT210 conformément à la norme EN 124,5 dans la partie relative au détecteur de présence optique (type D) doit être faite avec le corps d'épreuve 700x300x200 mm à 3 faces noir mat et 3 faces blanc brillant ou bien avec faces réfléchissantes comme l'indique la figure 24e suivant les prescriptions du chapitre 7 de la norme EN 12445:2000 (ou annexe A prEN12445:2005).

25. Le contrôle de FT210 conformément à la norme EN 12445 dans la partie relative au dispositif sensible à la pression PSPE, si la protection contre les situations dangereuses provoquées par le mouvement du vantail a été assurée à travers la limitation de la force d'impact (type C), doit être fait en effectuant la mesure de la force avec l'instrument spécifique aux endroits prévus, conformément aux prescriptions du chapitre 5 de la norme EN 12445.

26. Après avoir vérifié tous les points précédents, enlever le filtre atténuateur du verre du récepteur RX, comme l'indique la figure 25.

27. À la fin de l'essai, ne pas oublier de fermer tous les boîtiers des différents dispositifs.



5) Approfondissements

Ce chapitre explique les possibilités de personnalisation diagnostic et recherche des pannes sur FT210.

5.1) Exemple d'utilisation de FT210 comme détecteur de présence

Il est possible d'utiliser FT210 comme simple détecteur de présence type D, donc sans connexion du bord sensible.

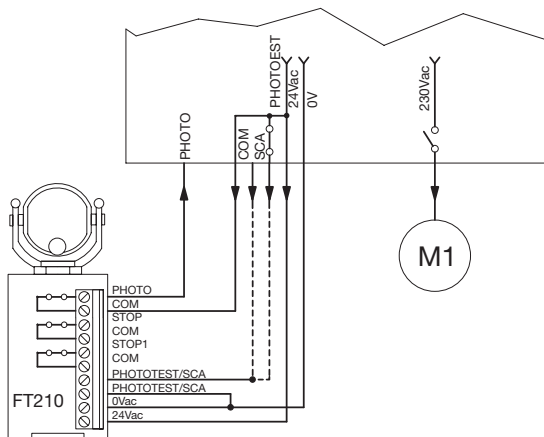
La figure 26 contient un exemple de connexion avec ce type d'utilisation du dispositif FT210.

Dans ce cas, il faut:

1. Exécuter les phases de montage suivant les indications du paragraphe «Installation».
2. Déconnecter le cavalier JP3 de l'émetteur de manière que la transmission s'effectue toujours en mode RAPIDE.
3. Utiliser toujours la sortie PHOTO du récepteur.
4. Connecter et utiliser le PHOTOTEST si la logique gère cette fonction. Dans ce cas le cavalier JP1 du récepteur doit être connecté.
5. Si la logique dispose uniquement de la sortie SCA, la connecter à l'entrée Phototest du récepteur. Le cavalier JP1 du récepteur doit être déconnecté.
6. Se on ne dispose d'aucune sortie utilisable sur la logique (Phototest ou SCA), laisser déconnectée l'entrée Phototest du récepteur et déconnecter le cavalier JP1 du récepteur.

Note: La modalité de transmission RAPIDE réduit la durée de la batterie de l'émetteur. Dans ce cas, la durée d'une batterie type "C" (kit FTA1) est évaluée à:

- environ 24 mois pour les portails jusqu'à 7 m (cavalier JP1 de l'émetteur désactivé)
- environ 18 mois pour les portails jusqu'à 15 m (cavalier JP1 de l'émetteur activé)



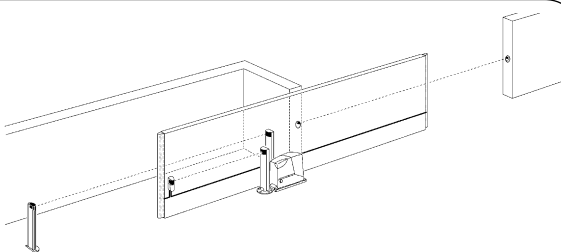
26

5.2) Exemple d'utilisation de FT210 uniquement comme détecteur de l'état du bord sensible

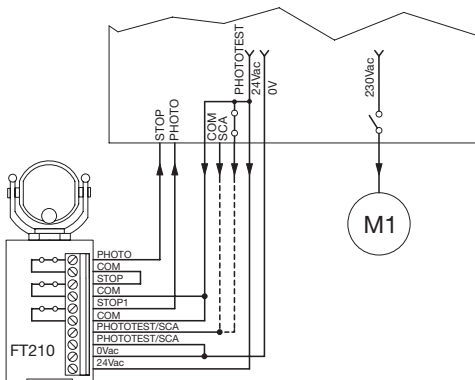
Si FT210 est utilisé uniquement comme détecteur de l'état du bord sensible, sans la fonction de détecteur de présence, nous conseillons d'installer le dispositif comme dans la figure 27.

Dans ce cas, il faut:

1. Exécuter les phases de montage suivant les indications du paragraphe «Installation».
2. Connecter le récepteur de FT210 à la logique comme dans la figure 28, en mettant en série les contacts de PHOTO et ALT.
3. Connecter le cavalier JP2 du récepteur.
4. Connecter et utiliser le phototest si la logique gère cette fonction. Dans ce cas le cavalier JP1 du récepteur et le cavalier JP3 de l'émetteur doivent être connectés.
5. Si la logique dispose uniquement de la sortie SCA, la connecter à l'entrée Phototest du récepteur. Le cavalier JP1 du récepteur doit être déconnecté, tandis que le cavalier JP3 de l'émetteur doit être connecté.
6. Se on ne dispose d'aucune sortie utilisable sur la logique (Phototest ou SCA), ne rien connecter à l'entrée Phototest du récepteur, déconnecter le cavalier JP1 du récepteur et le cavalier JP3 de l'émetteur.



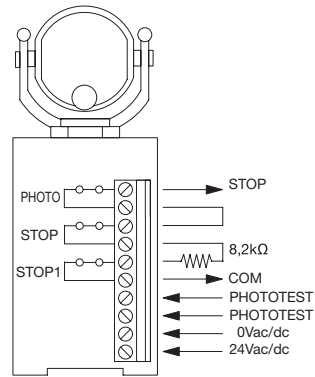
27



28

5.3) Exemple de connexion de FT210 à la logique avec l'entrée de ALT à résistance constante 8,2kΩ

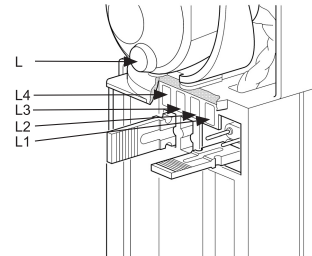
Si la logique dispose d'entrée de ALT à résistance constante 8,2kΩ, mettre en série aux deux contacts PHOTO et ALT du récepteur, une résistance de 8,2kΩ comme l'indique la figure 29



29

5.4) Signalisations

Le récepteur FT210 a quelques leds de signalisation (voir figure 30) qui fournissent des indications lumineuses suivant l'état de fonctionnement.



30

Tableau 5: signalisations		
Led L (rouge)	Cause	Action
2 clignotements brefs pause 2 clignotements brefs	Signalisation batterie épuisée sur le TX.	Remplacer le plus vite possible la batterie sur l'émetteur avec une autre du même modèle.
Led L1 (rouge)	Cause	Action
Clignotement régulier	La fréquence de clignotement indique la précision de la réception: plus le clignotement est lent et plus la réception est bonne	Tout est OK si le clignotement est lent: 3 clignotements maximum par seconde, en cas contraire il faut contrôler l'alignement entre TX et RX.
Allumée	Absence de signal, le contact «PHOTO» reste ouvert	Enlever l'obstacle ou améliorer l'alignement entre TX et RX
4 clignotements brefs pause 4 clignotements brefs	L'émetteur est en modalité LENTE	Tout est OK si le portail est arrêté
5 clignotements brefs pause 5 clignotements brefs	Le récepteur capte l'interférence d'un signal infrarouge non identifiable.	Un émetteur étranger envoie un signal vers le récepteur, essayer d'éliminer l'interférence; contrôler l'alignement de tous les dispositifs présents.
7 clignotements brefs pause 7 clignotements brefs	Le récepteur capte le signal infrarouge d'un deuxième émetteur FT210.	Éliminer le deuxième émetteur. Il ne peut pas y avoir deux émetteurs FT210 dans la même zone.
Led L2 (jaune)	Cause	Action
Allumée	Signale une erreur dans le test au début de la manœuvre et l'émetteur est commuté en mode RAPIDE	Erreur dans la connexion ou dans la programmation de l'entrée PHOTOTEST. Mauvais fonctionnement probable du capteur de mouvement
Éteinte	Le test au début de la dernière manœuvre a été régulier	Tout est OK
Led L3 (rouge)	Cause	Action
Allumée (contact STOP: ouvert)	Le bord sensible connecté à l'émetteur est activé	Vérifier les causes de l'activation du bord
Éteinte (contact STOP: fermé)	Le bord sensible connecté à l'émetteur n'est pas activé	Tout est OK
Led L4 (verte)	Cause	Action
Allumée (contact STOP: fermé)	Le bord sensible connecté à l'émetteur n'est pas activé	Tout est OK
Éteinte (contact STOP: ouvert)	Le bord sensible connecté à l'émetteur est activé	Vérifier les causes de l'activation du bord

5.5) Résolution des problèmes

Dans le tableau N°6 on peut trouver des indications utiles pour affronter les éventuels problèmes de fonctionnement pouvant se vérifier durant l'installation ou à cause d'une panne.

Tableau N°6: recherche des pannes

Symptômes	Vérifications conseillées
Il n'est pas possible de commander le portail; toutes les leds sur le récepteur de FT210 sont éteintes.	Vérifier si le récepteur est alimenté en mesurant la tension sur les bornes 12/24 V.
le portail commence la manœuvre mais s'arrête au bout d'1 seconde; la led 2 (jaune) est allumée.	Le test au début de la manœuvre ne s'est pas conclu positivement et il y a probablement un erreur dans les connexions ou dans la programmation ou bien il y a une panne dans le capteur de mouvement du portail présent dans le TX.
Durant la course, le portail s'arrête ou inverse la manœuvre; la led L1 (rouge) est allumée fixe.	Vérifier les éventuels obstacles ou l'alignement entre TX et RX sur toute la course du portail.
Durant la course, le portail s'arrête ou inverse la manœuvre; la led L3 (rouge est allumée et la led L4 (verte) est éteinte	Le bord sensible est intervenu. Éliminer l'éventuel obstacle ou contrôler le fonctionnement correct du bord.
De temps en temps, durant la course le portail s'arrête ou inverse la manœuvre ;avec le portail ouvert la led L1 (rouge) clignote rapidement.	Vérifier l'alignement entre TX et RX sur toute la course du portail.
À l'allumage du dispositif, le récepteur présente la led L2 jaune allumée et la led L1 rouge clignotante. Si le faisceau infrarouge est masqué, la led L1 rouge s'allume fixe, mais on ne sent le déclenchement d'aucun relais.	Le récepteur est sélectionné en mode Phototest (JP1 connecté), mais n'a pas encore exécuté le test au début de la manœuvre. Si la logique de commande dispose de phototest, laisser connecté le cavalier JP1 du récepteur, vérifier les connexions et faire faire une manœuvre à l'automatisme. Si la logique de commande ne dispose pas de sortie Phototest, le cavalier JP1 est sûrement connecté par erreur. Déconnecter le cavalier et vérifier que les relais se déclenchent en masquant le faisceau infrarouge.
De temps en temps, durant la course le portail s'arrête ou inverse la manœuvre; parfois il se bloque complètement et il n'est pas possible de le commander; la led L (rouge) fait continuellement 2 clignotements brefs.	La batterie du TX est épuisée et dans les conditions plus défavorables, il n'y a pas de communication entre TX et RX. Le clignotement de la led L (rouge) indique qu'il faut la changer.

6) Maintenance

La maintenance de FT210 ne nécessite pas de soins particuliers, mais il faut effectuer un contrôle au moins tous les 6 mois pour vérifier l'état du dispositif à photodétection FT210 (présence d'humidité, oxydation, etc.); à cette occasion, il faut nettoyer le boîtier et refaire l'essai suivant les indications du chapitre 4 «Essai». FT210 a été étudié pour fonctionner dans des conditions normales au moins 10 ans, il est donc bon d'intensifier la fréquence des contrôles de maintenance passée cette période.

7) Mise au rebut

Comme pour l'installation, à la fin de la durée de vie de ce produit, les opérations de démantèlement doivent être effectuées par du personnel qualifié. Ce produit est constitué de différents types de matériaux dont certains peuvent être recyclés et d'autres devront être mis au rebut; informez-vous sur les systèmes de recyclage ou d'élimination prévus par les normes locales en vigueur pour cette catégorie de produit.

Attention: certains composants du produit peuvent contenir des substances polluantes ou dangereuses qui pourraient avoir des effets nuisibles sur l'environnement et sur la santé des personnes s'ils n'étaient pas adéquatement éliminés.

Comme l'indique le symbole de la figure 31, il est interdit de jeter ce produit avec les ordures ménagères. Procéder par conséquent à la «collecte différenciée» des composants pour leur traitement conformément aux méthodes prescrites par les normes locales en vigueur

ou restituer le produit au vendeur lors de l'achat d'un nouveau produit équivalent. Certains règlements locaux peuvent appliquer de lourdes sanctions en cas d'élimination prohibée de ce produit.



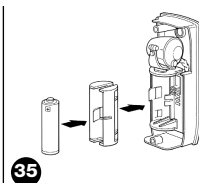
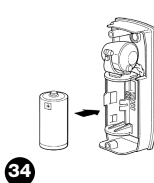
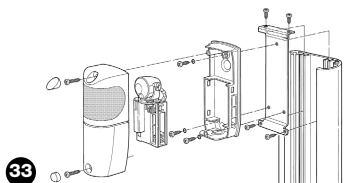
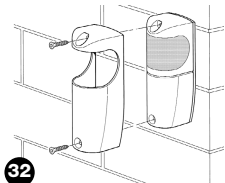
Attention: le produit fonctionne avec des batteries qui pourraient contenir des substances polluantes et qui ne doivent donc pas être jetées avec les ordures ménagères. Une fois qu'elles ont été retirées du produit (voir le paragraphe «Remplacement de la batterie», dans le chapitre «Instructions et recommandations destinées à l'utilisateur de FT210B»), il faut les traiter selon les méthodes prévues, pour les batteries, par les normes locales en vigueur.

8) Accessoires

Le dispositif est disponible avec les accessoires suivants:

- FA1: boîtier métallique antivandale à monter comme indiqué sur la figure 32.
- FA2: patte de fixation sur les colonnettes «MOCF», à monter comme indiqué sur la figure 33.

- FTA1: batterie 3,6 V, 7 Ah type C, à monter comme sur la figure 34.
- FTA2: batteries 3,6 V, 2 Ah type AA, à monter comme sur la figure 35.



9) Caractéristiques techniques

Dans le but d'améliorer les produits, Nice S.p.a. se réserve le droit d'en modifier à tout moment et sans préavis les caractéristiques techniques, en garantissant dans tous les cas le bon fonctionnement et le type d'utilisation prévus. Note: toutes les caractéristiques techniques se réfèrent à la température de 20°C.

Caractéristiques techniques FT210	
Typologie	Dispositif pour la transmission optique de l'état d'un bord sensible du type à résistance constante placé sur les parties en mouvement; Il est composé d'un émetteur à rayons infrarouges (TX), alimenté par une batterie longue durée, qui doit être placé sur le vantail mobile auquel est connecté le bord sensible et d'un récepteur (RX) placé sur la partie fixe.
Technologie adoptée	Transmission par interpolation optique directe TX-RX avec rayon infrarouge modulé et codé.
Alimentation récepteur	12±24 Vca/cc; limites: 10÷35 Vcc; 11±28 Vca 50/60 Hz; avec transformateur d'isolement conforme à la norme EN 61558.
Courant absorbé récepteur	Environ 120 mA à 12Vcc; 70 mA à 24 Vca
Tension entrée «Phototest»	Même limites que «Alimentation récepteur»
Alimentation émetteur	3,6V avec batteries au lithium type C ou AA
Durée batterie émetteur:	Estimée à plus de 15 ans avec batterie type C, capacité 7Ah, (usage «résidentiel»: distance TX-RX jusqu'à 7 m, avec 20 manœuvres par jour d'une durée de 90 s) Estimée à environ 5,5 ans avec batterie type C, capacité 7Ah, (usage «industriel»: distance TX-RX jusqu'à 15 m, avec 200 manœuvres par jour d'une durée de 90 s) Estimée à environ 6 ans avec batterie type AA, capacité 2 Ah, (usage «résidentiel»: distance TX-RX jusqu'à 7 m, avec 20 manœuvres par jour d'une durée de 90 s)
Gamme de l'entrée du dispositif Sensible (Rs)	Typique 8,2KΩ +22%/-65% pour l'état activé (On) Limites état activé (On): avec Rs > 2 870Ω et Rs < 10 010Ω Limites état désactivé (Off): avec Rs > 2 590Ω ou Rs < 11 060Ω
Capacité de détection du détecteur de présence type D	Objets opaques situés sur l'axe optique entre TX-RX de dimensions supérieures à 50 mm et vitesse inférieure à 1,6 m/s.
Angle de transmission TX	+/- 4° (valeur mesurée à 50 % de la portée).
Angle de réception RX	+/- 3° (valeur mesurée à 50 % de la portée).
Possibilité d'orientation	environ 210° dans l'axe horizontal et 30° dans l'axe vertical.
Portée utile	7 m ou 15 m (avec JP1 sur TX activé) avec un désalignement TX-RX maximum de ± 2° (la portée peut se réduire en cas de conditions météorologiques particulièrement critiques: brouillard, pluie, neige, poussière, etc.)
Portée maximale(dans les conditions optimales)	15 m ou 30 m (avec JP1 sut TX activé) avec un désalignement TX-RX maximum de ± 2°.
Temps de réponse sortie PHOTO	< 45 ms (typique 31 ms).
Temps de réponse sortie STOP	< 30 ms (typique 28 ms).
Temps de réponse sortie STOP1	1,5 s ± 3%.
Catégorie de résistance aux pannes	3 ou 2 (d'après la norme EN 954-1) suivant le type de connexion des sorties et entrée PHOTOTEST
Capacité contacts relais en sortie	Maximum 0,5A et maximum 48 Vca (charge à variation de résistance: cosφ=1).
Durée contacts relais en sortie	Vie mécanique > 1 000 000 cycles; vie électrique > 200 000 cycles (charge à variation de résistance: 0,25"; 24 Vcc).
Utilisation en atmosphère acide, saline ou potentiellement explosive	Non.
Montage	RX: vertical au mur ou sur une colonnette «MOCF» avec patte de fixation «FA2» TX: directement sur le portail avec vis fournies.
Indice de protection boîtier	IP44.
Température de fonctionnement	-20 ÷55°C.
Dimensions	46 x 128 h 45mm.
Poids	Récepteur: 135g Émetteur 165 g avec FTA1 ou 140 g avec FTA2

Instructions et recommandations destinées à l'utilisateur de FT210

Ces instructions peuvent intégrer les «Instructions et recommandations pour l'utilisation» que l'installateur doit remettre au propriétaire de l'automatisme et doivent dans tous les cas être intégrées par celles-ci.

- **Maintenance:** Comme toutes les machines, votre automatisme a besoin d'une maintenance périodique pour pouvoir fonctionner le plus longtemps possible et en toute sécurité. Établissez avec votre installateur un plan de maintenance périodique programmée; Nice conseille une intervention tous les 6 mois pour une utilisation domestique normale mais cette période peut varier en fonction de l'intensité d'utilisation. Toute intervention de contrôle, maintenance ou réparation doit être exécutée exclusivement par du personnel qualifié.
- Même si vous estimez en être capable, ne modifiez pas l'installation et les paramètres de programmation et de réglage de l'automatisme: la responsabilité en incombe à votre installateur.
- L'essai de fonctionnement, les maintenances périodiques et les éventuelles réparations doivent être documentés par la personne qui s'en charge et les documents doivent être conservés par le propriétaire de l'installation.
- Les seules interventions que l'utilisateur peut et doit effectuer périodiquement sont le nettoyage des verres des photocellules et l'élimination des feuilles et des cailloux qui pourraient bloquer l'automatisme. Pour empêcher que quelqu'un puisse actionner le portail, avant de continuer, n'oubliez pas de débrayer l'automatisme (comme nous le décrivons plus loin) et d'utiliser pour le nettoyage uniquement un chiffon légèrement imbibé d'eau.
- Mise au rebut: À la fin de la vie de l'automatisme, assurez-vous que le démantèlement est effectué par du personnel qualifié et que les matériaux sont recyclés ou mis au rebut en respectant les normes locales en vigueur.

- **Remplacement de la batterie** de l'émetteur de FT210. L'émetteur, situé sur le vantail mobile du portail, dispose d'une batterie spéciale au lithium de 3,6 V. Sa durée estimée est de plusieurs années, suivant les conditions d'utilisation. Il est prévu une signalisation de quelques mois avant que la batterie soit complètement épuisée de manière à avoir le temps de procéder au remplacement.

Il est temps de remplacer la batterie si dans le **récepteur** situé dans la partie fixe (au mur comme dans la figure A ou sur la colonnette comme dans la figure B) vous remarquez cette signalisation: **2 clignotements brefs suivis d'une pause d'1 seconde.**

La batterie est dans l'**émetteur** situé sur le vantail du portail; pour le remplacement, il faut:

- 1) Enlever les bouchons qui couvrent les vis comme sur la figure C.
- 2) Dévisser les vis qui fixent le couvercle et l'enlever comme sur la figure C.
- 3) Enlever la batterie épuisée en faisant levier avec un tournevis.
- 4) Attendre environ 10 secondes avant de mettre la batterie neuve.
- 5) Faire attention à la polarité: le pôle positif est vers le haut.
- 6) Mettre la nouvelle batterie comme sur les figures D ou E, suivant le modèle utilisé.
- 7) Fixer le couvercle avec les vis et remettre les bouchons cache-vis.

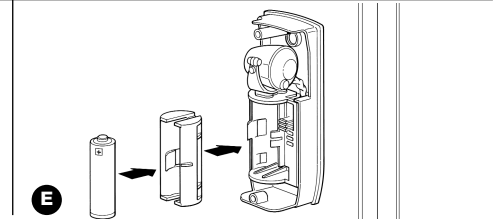
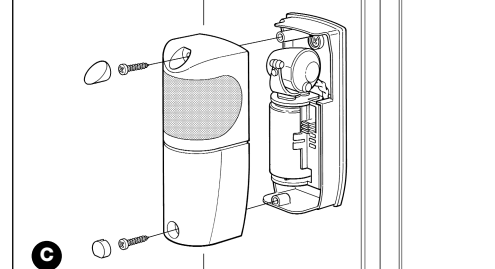
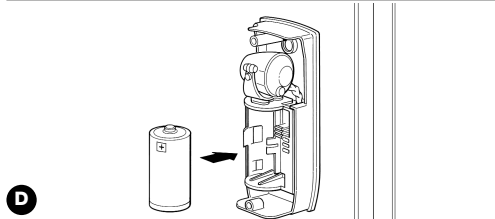
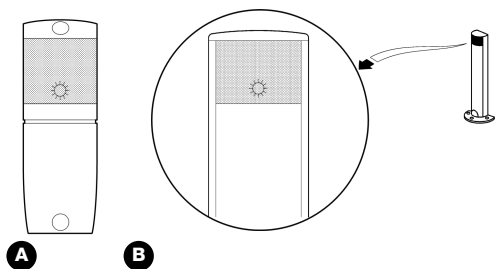
Il existe 2 types de batterie:

- FTA1: batterie 3,6 V, 7 Ah type C, à monter comme sur la figure D.
- FTA2: batteries 3,6 V, 2 Ah type AA, à monter comme sur la figure E.

Attention: les batteries utilisées dans ce produit ne sont pas des batteries alcalines normales.

Demander à Nice s.p.a. les kits batterie de recharge «FTA1» ou «FTA2».

Attention: le produit fonctionne avec des batteries qui pourraient contenir des substances polluantes et qui ne doivent donc pas être jetées avec les ordures ménagères. Une fois qu'elles ont été retirées du produit (voir le paragraphe «Remplacement de la batterie», dans le chapitre «Instructions et recommandations destinées à l'utilisateur de FT210B»), il faut les traiter selon les méthodes prévues, pour les batteries, par les normes locales en vigueur.



1) Hinweise

Diese Anleitung enthält wichtige Sicherheitsinformationen für die Installation; vor der Installation alle Anweisungen lesen. Dieses Handbuch auch für die Zukunft sorgfältig aufbewahren. Unter Berücksichtigung der Gefahren, die bei Installation und Bedienung von FT210 auftreten können, muss die Installation für größte Sicherheit unter voller Einhaltung von Gesetzen, Vorschriften und Verordnungen erfolgen.

Nach der neuesten europäischen Gesetzgebung, gehört die Automatisierung einer Tür oder eines Tors zu den Verordnungen der Richtlinie 98/37/CE (Maschinenrichtlinie) und insbesondere zu den Vorschriften: EN 13241-1 (harmonisierte Norm); EN 12445; EN 12453 und EN 12635, die es erlauben, die Konformität mit der Maschinenrichtlinie zu erklären.

Weitere Auskünfte und Hinweise zur Analyse der Risiken und der Realisierung der Technischen Unterlagen stehen im Internet unter "www.niceforyou.com" zur Verfügung. Die vorliegende Anleitung ist nur für technisches, zur Installation qualifiziertes Personal bestimmt; keine im vorliegenden Heft enthaltene Information ist als interessant für den Endbenutzer zu betrachten!

- Ein Gebrauch von FT210, der anders als in diesen Anweisungen vorgesehen ist, ist verboten. Ein unsachgemäßer Gebrauch kann Gefahren und Personen- oder Sachschäden verursachen.
- Keine Änderungen an beliebigen Teilen ausführen, falls nicht im vorliegenden Handbuch vorgesehen. Vorgänge dieser Art können nur Betriebsstörungen verursachen. NICE lehnt jegliche Haftung für Schäden aufgrund geänderter Produkte ab.
- FT210 darf ausschließlich durch direkte Interpolation zwischen TX und RX funktionieren; ein Gebrauch durch Rückstrahlung ist untersagt.

- Für die elektrischen Anschlüsse sind geeignete Leiter zu verwenden, wie in Kapitel "Installation" angegeben.
- Sicher stellen, dass die Stromversorgung und die anderen Betriebsparameter mit den Werten in Tabelle "technische Merkmale" übereinstimmen.
- Die Realisierung von Sicherheitsvorrichtungen für automatische Türen und Tore untersteht folgenden Vorschriften:
 - EN 12453 Türen und Tore für Industrie, Handel und Garagen. Sicherheit bei der Bedienung motorbetriebener Türen - Anforderungen.
 - EN 12978 Türen und Tore für Industrie, Handel und Garagen. Sicherheitsvorrichtungen für motorbetriebene Türen und Tore - Anforderungen und Testmethoden.

Die Installation und der Anschluss von FR210 mit dem Zweck, eine Sicherheitsvorrichtung zu realisieren, ohne dass aber den Anforderungen dieser Vorschriften gerecht wird, entsprechen Fahrlässigkeit und Missbrauch!

Besondere Hinweise über die Eignung dieses Produktes mit Bezugnahme auf die Richtlinie 89/336/CEE "Elektromagnetische Verträglichkeit" und spätere Änderungen 92/31/CEE und 93/68/CEE: Dieses Produkt in den in der vorliegenden Anleitung vorgesehenen Konfigurationen und in Kombination mit den von Nice S.p.A. hergestellten Artikeln im Katalog wurde unter den schwierigsten Einsatzbedingungen Tests der elektromagnetischen Verträglichkeit unterzogen. Die elektromagnetische Verträglichkeit könnte nicht garantiert sein, wenn das Produkt in anderen Konfigurationen oder mit anderen, nicht vorgesehenen Produkten benutzt wird; der Gebrauch des Produktes in solchen Situationen ist untersagt, bis der die Installation Ausführende die Übereinstimmung mit den laut Richtlinie vorgesehenen Anforderungen überprüft hat.

2) Produktbeschreibung und Einsatz

FT210 ist eine Vorrichtung, mit der das Problem der elektrischen Verbindungen von Schaltleisten an sich bewegenden Torflügeln gelöst werden kann. FT210 besteht aus einem Infrarotsender (TX), der über eine lang dauernde Batterie gespeist ist und auf dem beweglichen Torflügel angebracht wird, an dem die Schaltleiste angeschlossen ist. Hinzu kommt ein Empfänger (RX) am festen Teil, der gewöhnlich mit 12÷24Vac/dc gespeist ist.

Die Schaltleiste mit konstantem 8,2K Ω Widerstand wird vom Sender ständig überwacht; der Aktivierungs- bzw. Deaktivierungsstatus wird zum Empfänger übertragen. Der Empfänger RX deutet die erhaltene Information aus und aktiviert die beiden Ausgangsrelais STOP und STOP1 (auch FOTO, falls die Überbrückung JP2 des Empfängers ausgeschaltet ist) je nach Status der Schaltleiste oder nicht. Siehe Tabelle Nr. 2). Die Kommunikation zwischen TX und RX ist mit so sicheren Techniken codiert, dass die gesamte Vorrichtung der Fehlertoleranzklasse 3 gemäß EN 954-1 entspricht. Sie kann daher an PSPE-Systemen, die mit EN 12978 konform sind, benutzt werden.

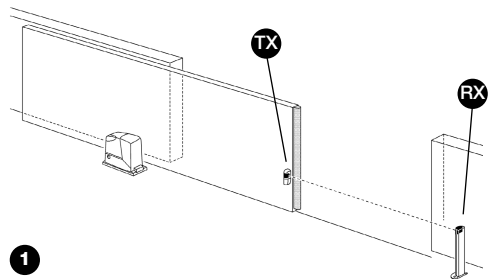
Die gemäß Anleitung zusammengebaute Fotovorrichtung FT210 komplett mit ihrer Schaltleiste TCB65 wurde vom Hersteller zertifiziert und ist konform mit folgenden Normen:

- EN 954-1 Sicherheit von Maschinen - An die Sicherheit gebundene Teile der Steuersysteme - Allgemeine Planungsgrundsätze.
- EN 1760-2 Sicherheit von Maschinen - Druckempfindliche Schutzvorrichtungen - Allgemeine Grundsätze für die Planung

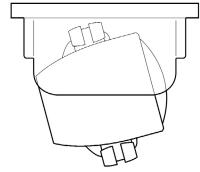
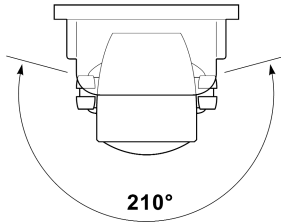
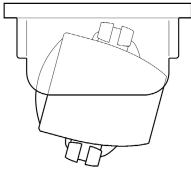
- und den Test druckempfindlicher Leisten und Stangen
- EN 12978 Türen und Tore für Industrie, Handel und Garagen. Sicherheitsvorrichtungen für motorbetriebene Türen und Tore - Anforderungen und Testmethoden.

Achtung: die Vorrichtung FT210 allein ist keine komplette Sicherheitsvorrichtung, sondern nur ein Teil einer Sicherheitsvorrichtung!

Wenn TX und RX so angebracht werden, dass die optische Kommunikation durch die Durchfahrt (siehe Abbildung 1) erfolgt, kann die Vorrichtung auch als Präsenzdetektor (des Typs D gemäß EN 12453) benutzt werden, da ein Gegenstand, der den Strahl unterbricht, die Deaktivierung des dritten Relais von Ausgang FOTO verursacht.



Da FT210 horizontal um 210° und vertikal um 30° geschwenkt werden kann, kann die Vorrichtung auch dort benutzt werden, wo eine korrekte Fluchtung von TX mit RX aufgrund der Befestigungsflächen nicht möglich wäre (siehe Abbildung 2).



2

3) Installation

⚠ Alle Installationsarbeiten müssen ohne Spannung zur Anlage ausgeführt werden; die Pufferbatterie, falls vorhanden, muss abgetrennt werden. Achtung: alle Installationsarbeiten müssen ohne Spannung zur Anlage ausgeführt werden; die Pufferbatterie, falls vorhanden, muss abgetrennt werden.

3.1) Vorprüfungen

Aufgrund der Besonderheit und Einzigartigkeit des Produkts sind vor der Installation, um maximale Sicherheit und Funktionalität zu erzielen, einige Aspekte bezüglich des Funktionsprinzips zu bewerten.

- Genau prüfen, dass die Einsatzparameter mit den Angaben im Kapitel "Technische Merkmale" übereinstimmen. Das Produkt im Zweifelsfall nicht benutzen und beim technischen Service von NICE Erläuterungen einholen.
- Der Sender überprüft den Status der Schalleiste ständig und sendet die Information zum Empfänger. Um den Verbrauch der Batterie zu reduzieren und dennoch die erforderliche Sicherheit beizubehalten, wird diese Tätigkeit mit 2 verschiedenen "Geschwindigkeiten" ausgeführt: LANGSAM, wenn das Tor steht; SCHNELL, wenn sich das Tor bewegt. Der Sender erkennt das sich bewegende Tor über einen speziellen Sensor, der die Vibrationen der Torbewegung wahrnimmt. Sobald das Tor die Bewegung beginnt, geht der Sender auf SCHNELL über und bleibt so, bis das Tor 10 oder 90 Sekunden lang stehen bleibt (siehe die Überbrückungen JP2 und JP3 in Tabelle 1).
- Um das erforderliche Sicherheitsniveau zu garantieren, muss der Empfänger den Status des Tors kennen, vor allem um zu prüfen, ob der Modus LANGSAM oder SCHNELL des Senders korrekt ist. Diese Kontrolle erfolgt über den Eingang "FOTOTEST" des Empfängers (siehe auch die Anschlussbeispiele in den Abb. 18 und 19). Gewöhnlich wird in den Steuerung bei jedem Bewegungsbeginn ein Photozellentest ausgeführt; auf diese Weise wird der Empfänger der Vorrichtung FT210 informiert, dass die Torbewegung in kürzester Zeit starten wird.
- Wenn die Steuerung nicht über den Photozellentest verfügt, kann die Vorrichtung gleichfalls benutzt werden, indem der Eingang FOTOTEST von FT210 am Ausgang SCA der Steuerung angeschlossen wird; in diesem Fall muss am Ausgang SCA (Kontrolllampe Tor Auf) während der gesamten Bewegungsdauer ein intermittierendes Signal (Blinken) vorhanden sein (siehe Anschlussbeispiel in Abbildung 20).
- Sollte die Steuerung auch nicht über den Ausgang SCA verfügen, muss FT210 auf die Modalität IMMER SCHNELL programmiert werden, indem die Überbrückung JP3 an TX abgeschaltet wird (siehe Tabelle 1).

- An den Steuerungen mit PHOTOZELLENTTEST nur am Anfang der Öffnungsbewegung und mit automatischem Zulauf, ist der 90 Sekunden lange Rückhalt bei der Umschaltung von SCHNELL auf LANGSAM beim Anhalten des Tors notwendig (siehe JP2 in Tabelle 1). Auf diese Weise wird TX während der gesamten Toröffnungszeit auf SCHNELL bleiben.

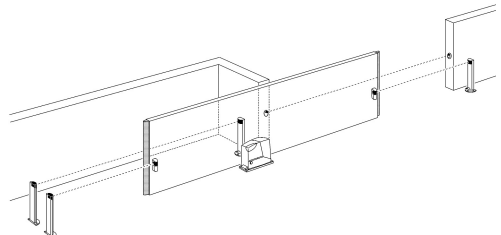
Die Pausezeit der Steuerung muss natürlich unter 90 Sekunden sein.

- FT210 wurde so entwickelt, dass sie keine Störungen an anderen Photozellen verursacht und von diesen nicht gestört wird; das bedeutet, dass FT210 mit anderen Photozellen kombiniert werden kann. Es wird der Betrieb mit mindestens einem anderen, von NICE hergestellten Photozellenpaar garantiert, wogegen der Betrieb mit mehr als einem Paar oder mit Photozellen anderer Hersteller nicht garantiert sein könnte. Um zu prüfen, dass keine Einflüsse durch andere Vorrichtungen vorhanden sind, das in Kap. 4 vorgesehene Abnahmeverfahren genauestens ausführen und die Meldung in Tabelle 5 überprüfen.

Es können auch zwei FT210 installiert werden, um die Vorder- und die Rückseite desselben Tors zu überwachen, da die beiden TX in diesem Fall das Signal in zwei entgegengesetzte Richtungen senden.

- Zwei FT210 zur Überwachung desselben Bereichs können nicht installiert werden; wenn ein Empfänger das Signal von zwei Sendern wahrnehmen sollte, wird er auf den "Notzustand" übergehen und die Torbewegung verhindern. Siehe die spezielle Meldung in Tabelle 5.

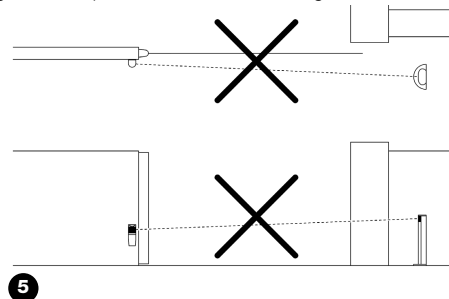
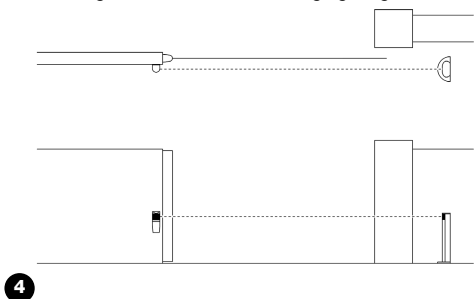
Ein Beispiel für eine korrekte Installation ist in Abbildung 3 gezeigt.



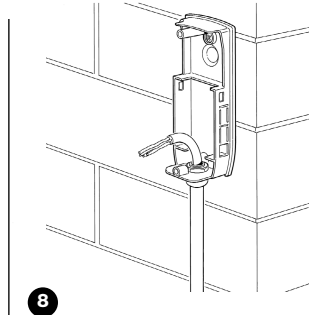
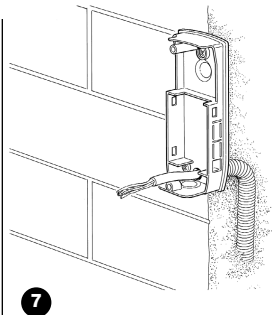
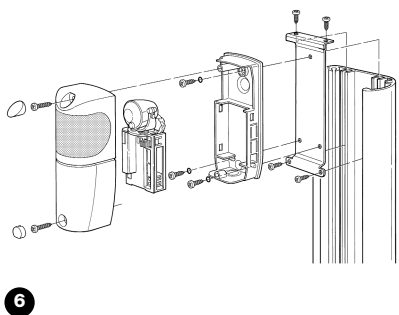
3

- Der Sender TX von FT210 gibt einen Strahl mit einem Winkel von ca. $\pm 4^\circ$ ab. Daher ist eine einwandfreie Fluchtung von TX mit RX notwendig, die im gesamten Torlauf gleich sein muss.

In Abbildung 4 ist eine korrekte Montage gezeigt; Abbildung 5 zeigt zwei Beispiele für eine falsche Montage.



- Je nach Bedarf kann der Empfänger mit Hilfe des Zubehörs FA2 auf einer Standsäule MOCF installiert (siehe Abbildung 6) oder an der Mauer befestigt werden; in diesem Fall können die Kabel von der Hinterseite (siehe Abbildung 7) oder von unten eingeführt werden; in diesem Fall muss ein Kabelhalter des Typs "PG9" hinzugefügt werden (siehe Abbildung 8).



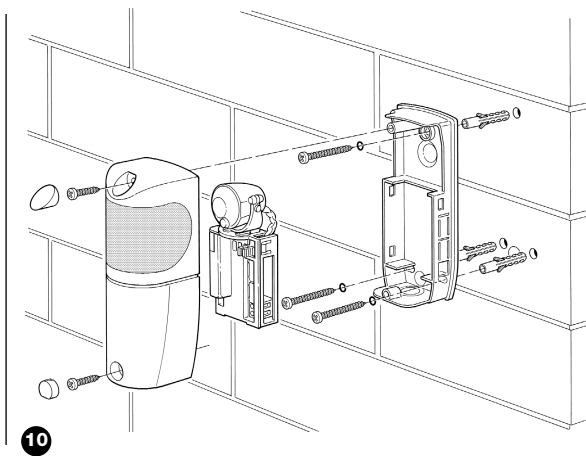
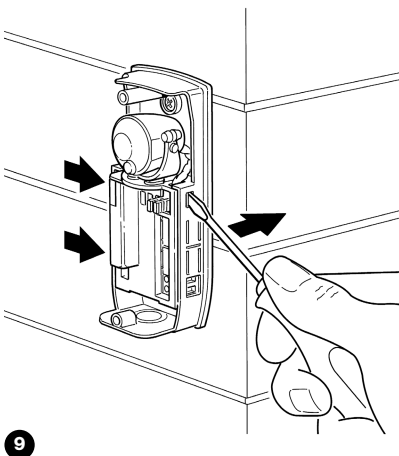
3.2 Befestigung der Vorrichtungen

Die Vorrichtungen in dieser Reihenfolgen installieren und befestigen:

1. Die Vorrichtungen in dieser Reihenfolgen installieren und befestigen:

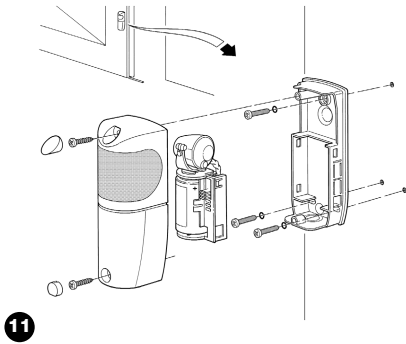
Um die Befestigung zu erleichtern, kann die elektronische Karte vom Hinterteil getrennt werden, indem mit einem Schraubenzieher an den drei Einspannstellen angehoben wird - siehe Abbildung 9.

2. Den Empfänger wie in Abbildung 10 gezeigt befestigen

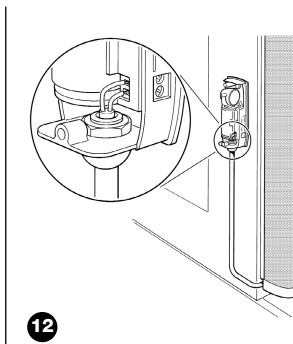


3. Den Sender wie in Abbildung 11 gezeigt auf den beweglichen Torflügel montieren.

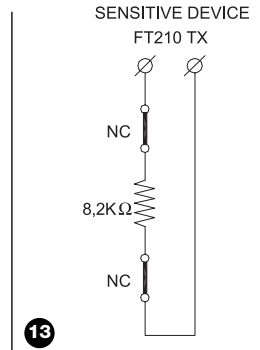
4. Die Schaltleiste mit konstantem $8,2K\Omega$ Widerstand am Sender anschließen, wie in Abbildung 12 gezeigt. Der Widerstand an den Klemmen von TX muss entfernt und als Endverschluss der Schaltleiste benutzt werden, oder er kann auch nicht benutzt werden, falls die Schaltleiste über ihren eigenen Endwiderstand verfügt.



11



12



13

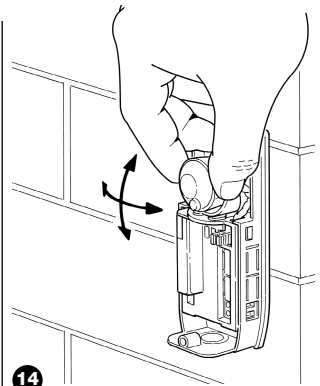
Falls die Schaltleiste über einen Ausgang mit 2 gesonderten NC-Kontakten verfügt, kann sie wie in Abbildung 13 gezeigt angeschlossen werden, wobei der $8,2K\Omega$ Widerstand zwischen den beiden Kontakten seriengeschaltet wird. Prüfen, dass der Schaltleistenhersteller diese mindestens in Fehlertoleranzklasse 3 gemäß EN 954-1 klassiert hat.

Achtung: keine Schaltleisten verwenden, die als Ausgang einen NC-Einzelkontakt haben, da sie die vorschriftsmäßige Fehlertoleranzklasse nicht haben.

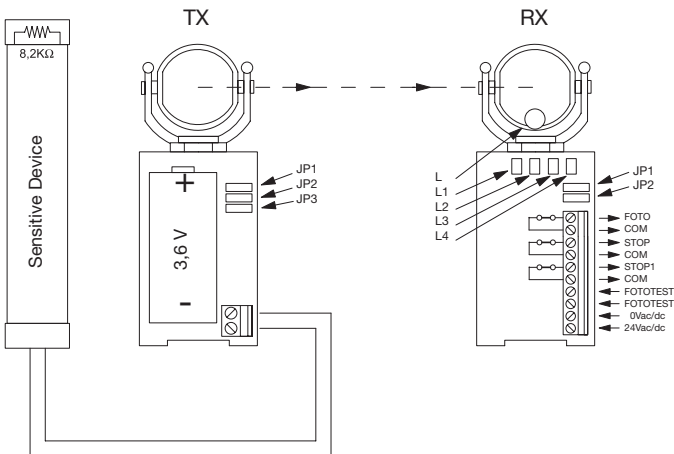
5. Die elektrischen Anschlüsse gemäß den Angaben in den Anleitungen der Steuerung ausführen. Siehe auch die Anschlussbeispiele in Kapitel 3.3 "Elektrische Anschlüsse".

6. Die Linsen wie in Abbildung 14 gezeigt ausrichten, so dass TX einwandfrei mit RX gefluchtet ist.

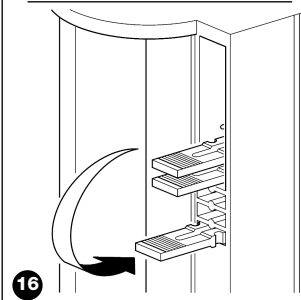
7. Die Überbrückungen sowohl an TX als auch an RX nach den Angaben in Tabelle 1 und 2 je nach gewünschter Funktionsweise programmieren (siehe Abbildung 15). Eventuelle nicht benutzte Überbrückungen für einen zukünftigen Gebrauch im dazu vorgesehenen Raum unterbringen (siehe die Abbildungen 16 und 17).



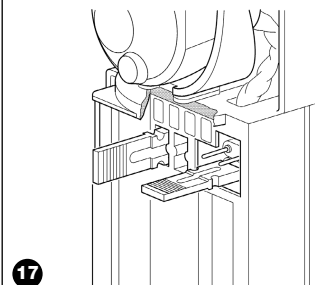
14



15



16



17

Tabelle Nr.1: Überbrückungen am Sender TX

Überbrückung	Position	Beschreibung
JP1	Eingeschaltet	für Tore bis 15 Meter geeignete Senderleistung.
	Ausgeschaltet	für Tore bis 7 Meter geeignete Senderleistung.
JP2	Eingeschaltet	Schaltet 10 Sekunden nach Ende der Bewegung auf LANGSAME Sendung um (siehe auch JP3).
	Ausgeschaltet	Schaltet 90 Sekunden nach Ende der Bewegung auf LANGSAME Sendung um (siehe auch JP3).
JP3	Eingeschaltet	Schaltet am Ende der Bewegung auf LANGSAME Sendung um.
	Ausgeschaltet	Schaltet nie auf LANGSAME Sendung um, sondern bleibt immer auf SCHNELL.

Tabelle Nr.2: Überbrückungen am Empfänger RX

Überbrückung	Position	Beschreibung
JP1	Eingeschaltet	Eingang Fototest angeschlossen am Ausgang Fototest der Steuerung.
	Ausgeschaltet	Eingang Fototest angeschlossen am Ausgang S.C.A. der Steuerung; oder Eingang Fototest abgetrennt, falls die Steuerung weder über Fototest noch Ausgang SCA verfügt (Achtung: nur mit ausgeschalteter JP3 an TX möglich)
JP2	Eingeschaltet	Die Unterbrechung des Infrarotstrahls verursacht die Öffnung des Kontakts FOTO. Die Aktivierung der Schalleiste verursacht die Öffnung des Kontakts STOP und nach 1,5s jene des Kontakts STOP1
	Ausgeschaltet	Die Unterbrechung des Infrarotstrahls verursacht die Öffnung des Kontakts FOTO. Die Aktivierung der Schalleiste verursacht die Öffnung des Kontakts FOTO und nach 1,5s jene des Kontakts STOP und STOP1. Für jene Steuerungen, die keine Umkehrung mit Auslösung von STOP vorsehen.

3.3) Elektrische Anschlüsse

In diesem Kapitel sind die elektrischen Anschlüsse beschrieben und einige mögliche Schaltpläne je nach an der Automatisierung benutzter Steuerung angegeben. Das Produkt im Zweifelsfall nicht benutzen und beim technischen Service von NICE Erläuterungen einholen.

Tabelle Nr. 3: Liste der Anschlüsse

Anschluss	Kabeltyp	Höchstlänge	Beschreibung
12÷24V	2x0,5mm ²	30m	Versorgung des Empfängers in Gleich- oder Wechselstrom.
Fototest	2x0,25mm ²	30m	Eingang für den Test bei Bewegungsbeginn; kann an Gleichspannungen oder an Wechselstrom angeschlossen sein; ist nicht an die Versorgungsklemmen gebunden.
Kontakte der Ausgänge	2x0,25mm ²	30m	Kontakte der Ausgangsrelais; bei gespeistem und aktivem Empfänger sind sie gewöhnlich geschlossen (NC) - siehe Tabelle Nr. 4.

Tabelle Nr.4: Beschreibung der Ausgänge von RX

Ausgang	Relaiskontakt	Beschreibung
FOTO	Geschlossen	Keine Hindernisse vorhanden und korrekter Empfang der von TX übertragenen Daten.
	Geöffnet	Hindernisse vorhanden und kein Empfang der von TX übertragenen Daten.
Der Ausgang FOTO (Photozelle) muss am Eingang der Steuerung angeschlossen sein, der die Umkehrung der Bewegung verursacht und gewöhnlich für den Präsenzdetektor des Typs D dient.		
ALT	Geschlossen	Nicht gedrückte und an TX angeschlossene Schalleiste.
	Geöffnet	Gedrückte und an TX angeschlossene Schalleiste.
Der Ausgang STOP muss am Eingang der Steuerung angeschlossen sein, der das Anhalten und die eventuelle Umkehrung der Bewegung verursacht und gewöhnlich für die druckempfindlichen Sicherheitsvorrichtungen PSPE dient.		
ALT1	Geschlossen	Nicht gedrückte und an TX angeschlossene Schalleiste.
	Geöffnet	Nach 1.5 Sekunden, falls die an TX angeschlossene Schalleiste gedrückt wird.

Der Ausgang STOP1 muss am zweiten Eingang der Steuerung angeschlossen sein, der das Anhalten und die eventuelle Umkehrung der Bewegung verursacht und gewöhnlich für die druckempfindlichen Sicherheitsvorrichtungen PSPE dient. Sollte dieser zweite Eingang an der Steuerung nicht zur Verfügung stehen:

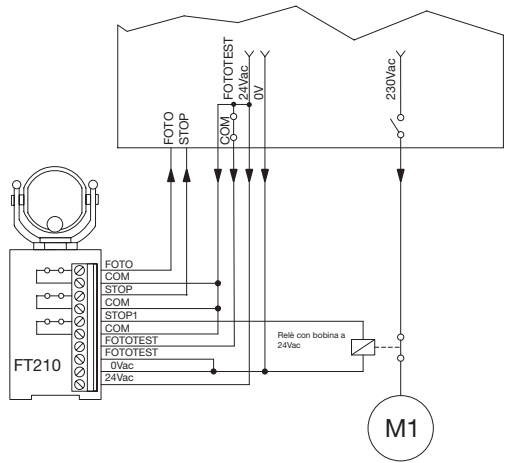
- kann der Ausgang STOP1 benutzt werden, um ein Relais mit geeigneter Leistung zu schalten, das die Versorgung direkt zum Motor unterbricht (siehe Abbildung 18);
- kann der Ausgang STOP1 nicht benutzt und JP2 an RX entfernt werden; auf diese Weise verursacht die Aktivierung der Schalleiste die Öffnung des Kontakts FOTO, wodurch auch in diesem Fall die Fehlertoleranzklasse 3 gewährleistet bleibt.

3.3.1) Allgemeines Anschlussbeispiel

In Abbildung 18 ist ein Anschlussbeispiel von FT210 an einer generellen Steuerung gezeigt, die über die Eingänge FOTO, STOP und einen Ausgang für den Photozellentest verfügt. Für diese Konfiguration sind die Überbrückungen des Empfängers RX wie folgt einzustellen:

- JP1 **eingeschaltet**
- JP2 **eingeschaltet**, wenn die Aktivierung des Ausgangs STOP der Steuerung das Anhalten und die Umkehrung der Bewegung verursacht (in diesem Fall kann das mit STOP1 in Abbildung 18 verbundene Relais beseitigt werden und der Kontakt von STOP1 muss mit FOTO serienschaltet und mit dem Eingang FOTO der Steuerung verbunden werden, wie in Abb. 19 und 20 gezeigt) **ausgeschaltet**, wenn die Aktivierung des Ausgangs STOP der Steuerung das Anhalten der Bewegung verursacht.

18

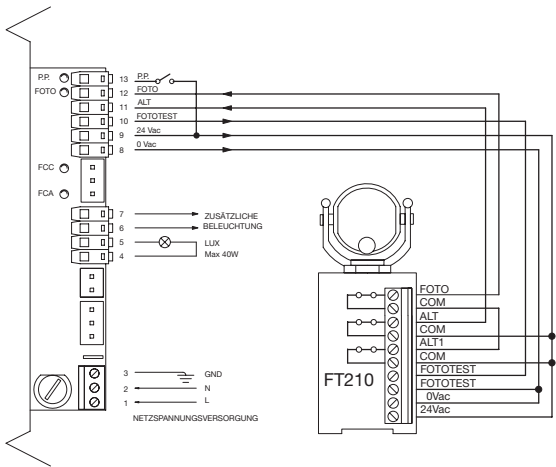


3.3.2) Anschlussbeispiel an einer Steuerung mit Photozellentest

In Abbildung 19 ist ein Anschlussbeispiel von FT210 an der Steuerung Mod. "RO300" des Torantriebs ROBO gezeigt. Die Steuerung "RO300" verfügt über die Funktion Photozellentest. Für diese Konfiguration sind die Überbrückungen des Empfängers RX wie folgt einzustellen:

- JP1 **eingeschaltet**
- JP2 **eingeschaltet** (Steuerung mit Umkehrung der Bewegung bei der Aktivierung des Eingangs STOP)

19



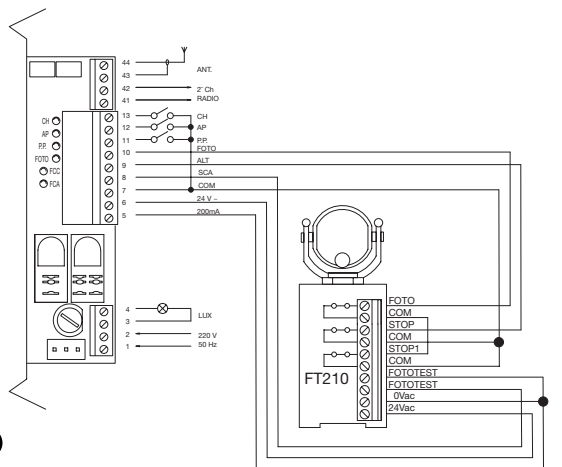
3.3.3) Anschlussbeispiel an einer Steuerung mit Ausgang SCA

In Abbildung 20 ist ein Anschlussbeispiel von FT210 an der Steuerung Mod. RO1000 des Torantriebs ROBO gezeigt, mit Benutzung des Ausgangs SCA. Für diese Konfiguration sind die Überbrückungen des Empfängers RX wie folgt einzustellen:

• JP1 **eingeschaltet**

- JP2 **eingeschaltet** (Steuerung mit Umkehrung der Bewegung bei der Aktivierung des Eingangs STOP)

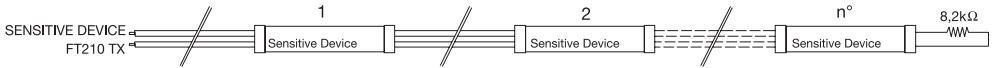
20



3.3.4) Anschluss von 2 oder mehreren Schaltleisten

Der Sender von FT210 verfügt über nur einen Eingang für Schaltleisten, aber zwei oder mehrere empfindliche Vorrichtungen, welche dieselbe Funktion ausführen, können wie in Abbildung 21 gezeigt nacheinander kaskadengeschaltet werden, wobei nur ein $8,2k\Omega$ Endwiderstand.

Achtung: die Vorrichtungen mit konstantem Widerstand müssen miteinander kaskadengeschaltet werden, niemals seriell- oder parallelgeschaltet!



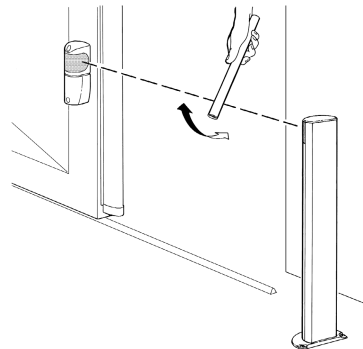
21

4) Abnahme

Für jedes einzelne Bestandteil des Automatismus muss eine spezielle Abnahme erfolgen. Für die Abnahme von "FT210" ist folgende Arbeitssequenz durchzuführen: Falls 2 Vorrichtungen vorhanden sind (eine an der Vorderseite des Torflügels, die andere an der Rückseite - siehe Abbildung 3) muss die Sequenz für jede Vorrichtung wiederholt werden.

Achtung: an einigen Stellen sind Überprüfungen mit sich bewegendem Tor erforderlich; da die Automatisierung nicht entsprechend SICHER SEIN KÖNNTE, ist bei diesen Überprüfungen größte Vorsicht geboten.

1. Prüfen, ob alles in der vorliegenden Anweisung und insbesondere das in Kapitel 1 "Hinweise" und 3 "Installation" angegebene genauestens eingehalten ist.
2. Das Tor entriegeln und den Torflügel ganz öffnen, so dass TX so weit wie möglich von RX entfernt ist.
3. Prüfen, dass zwischen TX und RX keine Hindernisse vorhanden sind.
4. Falls vorhanden, die Stromversorgung zum Empfänger abtrennen und die Senderbatterie herausnehmen.
5. Die empfindliche Vorrichtung von den Klemmen des TX abtrennen und den Widerstandswert der Vorrichtung mit einem Ohmmeter messen. Prüfen, ob der Wert zwischen 7700Ω und 8700Ω liegt (Nennwert 8200Ω).
6. Auf die Schaltleiste drücken, um sie zu aktivieren, und den Widerstand erneut messen; prüfen, ob der Wert unter 1000Ω oder über 16500Ω ist.
7. Die empfindliche Vorrichtung wieder an den TX Klemmen anschließen.
8. Den Empfänger mit Strom versorgen und prüfen, ob die LEDs L1 (Ir Level) L2 (Fototest Ko) und L3 (Sensitive Device Ko) leuchten; prüfen, ob die LED L4 (Sensitive Device Ok) ausgeschaltet ist (siehe Abbildung 31).
9. Die Überbrückung JP3 an TX entfernen, so dass dieser immer SCHNELL sendet.
10. Falls die Entfernung zwischen TX und RX über 7m ist, prüfen, ob die Überbrückung JP1 an TX eingeschaltet und daher für Entfernungen bis 15m programmiert ist.
11. An TX, die Batterie FTA1 oder FTA2 einbauen (siehe die Abbildungen 33 oder 34).
12. Am Empfänger prüfen, ob die LED L1 (Ir Level) blinkt, ob L2 (Fototest Ko) und L4 (Sensitive Device Ok) leuchten und ob die L3 (Sensitive Device Ko) ausgeschaltet ist.
13. Ggf. die Fluchtung der Linsen von TX und RX optimieren - siehe Abbildung 14. Die Anzeigen der LED L1 (Ir Level) beachten: je langsamer die LED blinkt, umso besser ist die Fluchtung; die optimale Einstellung hat man, wenn L1 langsam, max. 3 Mal pro Sekunde blinkt.
14. Den Test mit Anbringung der oberen Schutzvorrichtungen sowohl an TX als auch an RX wiederholen. Bitte bemerken: an der Schutzvorrichtung von RX befindet sich ein DämpfungsfILTER, der schlechtes Wetter bei der Bedienung simuliert.
15. Den Torflügel auf der gesamten Lauflänge bewegen und anhand des Blinkens von L1 prüfen, dass die Fluchtung immer optimal bleibt.
16. Zur Überprüfung von FT210, was den Teil mit dem optischen Präsenzzdetektor betrifft, und insbesondere um zu prüfen, dass keine Interferenzen mit anderen Vorrichtungen vorhanden sind, einen Zylinder mit 50mm Durchmesser auf der optischen Achse zuerst nah an TX, dann nah an RX und abschließend in ihrer Mitte durchführen (siehe Abbildung 22). Prüfen, dass die Vorrichtung in allen Fällen ausgelöst wird und vom aktiven Zustand auf den Alarmzustand übergeht (L1 leuchtet) und umgekehrt.



22

17. Zur Überprüfung von FT210, was den Teil mit der druckempfindlichen Vorrichtung betrifft, die Schaltleiste drücken und loslassen, wie auf Abbildung 23 gezeigt, und prüfen, ob sich L4 ausschaltet und L3 einschaltet, und umgekehrt.

18. Falls das die vorgezogene Programmierung ist, die Überbrückung JP3 an TX einschalten, so dass die Sendung nach ein paar Sekunden ab Bewegungsende auf LANGSAM umschaltet.

19. Falls der im vorherigen Punkt beschriebene Vorgang ausgeführt worden ist, prüfen, ob der Sender nach der vorgesehenen Zeit (siehe JP2 in Tabelle 1) auf LANGSAM umschaltet. Die Sendung im LANGSAMEN Modus ist daran zu erkennen, dass L2 wiederholt vier Mal kurz blinkt, gefolgt von einer Pause.

20. Den Torflügel wieder am Motor einkuppeln und dem Tor eine Bewegung ausführen lassen. Dabei überprüfen, dass sich L2 bei Beginn der Bewegung ausschaltet, was bedeutet, dass der Test des Sensors, der die Vibrationen der Torbewegung wahrnimmt, erfolgreich war.

21. Dem Tor verschiedene Bewegungen ausführen lassen und prüfen, dass Öffnung und Schließung korrekt und ohne Bewegungsumkehrungen erfolgen.

22. Weitere Bewegungen ausführen und den optischen Präsenzdetektor während der Schließung auslösen, wie in Punkt 15 angegeben; prüfen, ob die vorgesehene Handlung wie zum Beispiel eine Bewegungsumkehrung verursacht wird.

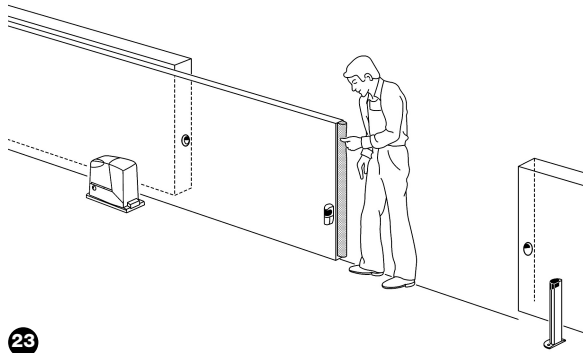
23. Weitere Bewegungen ausführen und während der Schließung die Schaltleiste auslösen, wie in Punkt 16 angegeben; prüfen, ob die vorgesehene Handlung wie zum Beispiel eine Bewegungsumkehrung verursacht wird.

24. Die Überprüfung von FT210, was den Teil mit dem optischen Präsenzdetektor (des Typs D) betrifft, muss gemäß EN 12445 mit einem 700x300x200 mm großen Parallellfläch mit 3 matt-schwarzen Seiten und 3 weißglänzenden Seiten oder 3 Spiegelseiten ausgeführt werden, wie in Abb. 24 angegeben und in Kap. 7 der Norm EN 12445:2000 (oder Anlage A in prEN12445:2005) verlangt.

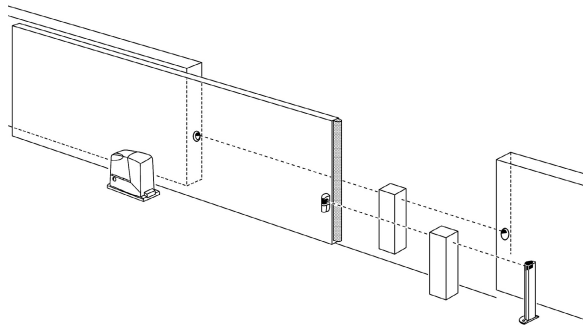
25. Die Überprüfung von FT210, was den Teil mit der druckempfindlichen Vorrichtung PSPE betrifft, muss gemäß EN 12445 durch die Messung der Kraft an den vorgesehenen Stellen und mit dem speziellen Instrument ausgeführt werden, wie in Kapitel 5 der Norm EN 12445 verlangt, falls die durch die Torbewegung verursachten Gefahren mittels Begrenzung der Aufprallkraft gesichert sind.

26. Den Dämpfungsfiter nach Überprüfung aller vorherigen Punkte vom Glas des Empfängers RX entfernen, wie in Abbildung 25 gezeigt.

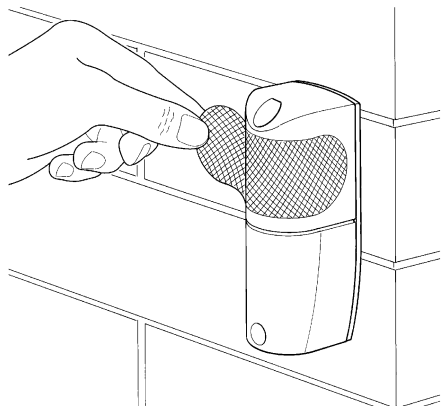
27. Am Ende der Abnahme alle Gehäuse der verschiedenen Vorrichtungen wieder schließen.



23



24



25

5) Weitere Auskünfte

In diesem Kapitel werden die Möglichkeiten für eine persönliche Gestaltung, die Diagnose und die Fehlersuche an FT210 behandelt.

5.1) Beispiel: Benutzung von FT210 als Präsenzdetektor

FT210 kann auch als einfacher Präsenzdetektor des Typs D, daher ohne Verbindung mit Schalleiste benutzt werden. Die Abbildung 26 zeigt ein Anschlussbeispiel mit dieser Einsatzart der Photovorrichtung FT210.

In diesem Fall ist folgendes notwendig:

1. Die Montagephasen wie in Par. "Installation" angeben ausführen.
2. Die Überbrückung "JP3" des Senders ausschalten, so dass die Sendung immer im Modus SCHNELL erfolgt.
3. Nur den Ausgang FOTO des Empfängers benutzen.
4. Fototest anschließen und benutzen, falls die Steuerung diese Funktion vorsieht. In diesem Fall muss die Überbrückung JP1 des Empfängers eingeschaltet werden.
5. Wenn die Steuerung nur über den Ausgang SCA verfügt, muss dieser am Eingang Fototest des Empfängers angeschlossen werden. Die Überbrückung JP1 des Empfängers muss ausgeschaltet werden.
6. Wenn man an der Steuerung über gar keinen verwendbaren Ausgang (Fototest oder SCA) verfügt, den Eingang Fototest des Empfängers nicht anschließen und die Überbrückung JP1 des Empfängers ausschalten.

26

Anmerkung: Der Sendemodus SCHNELL verkürzt die Dauer der Senderbatterie. In diesem Fall ist die Dauer einer Batterie des Typs "C" (Kit FTA1):

- ca. 24 Monate für Tore bis 7m (Überbrückung JP1 des Senders ausgeschaltet)
- ca. 18 Monate für Tore bis 15m (Überbrückung JP1 des Senders eingeschaltet)

5.2) Anwendungsbeispiel von FT210 als "nur Statusdetektor der Schalleiste".

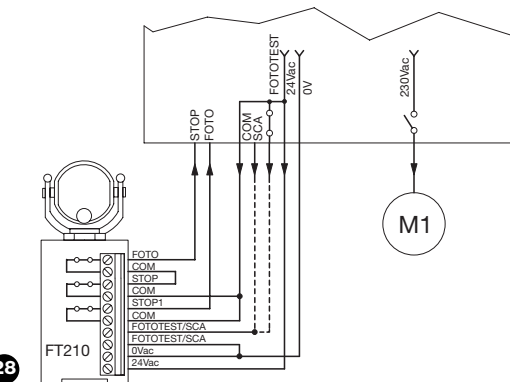
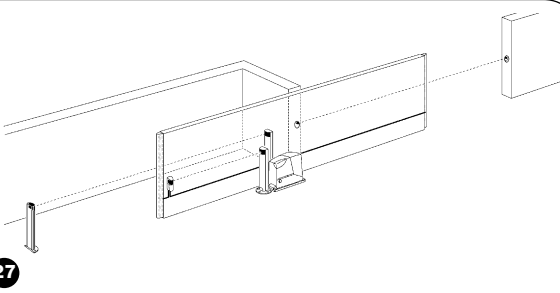
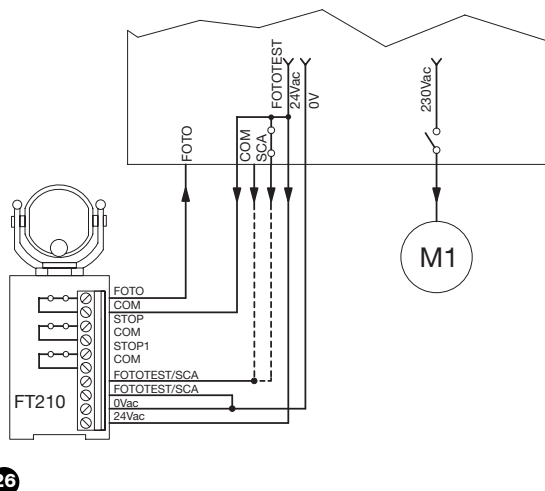
Wenn FT210 nur als Statusdetektor der Schalleiste, daher ohne die Funktion Präsenzdetektor benutzt wird, sollte die Photovorrichtung wie in Abbildung 27 gezeigt installiert werden.

In diesem Fall ist folgendes notwendig:

1. Die Montageschritte wie in Par. "Installation" angeben ausführen.
2. Den Empfänger von FT210 wie in Abbildung 28 gezeigt an der Steuerung anschließen und die Kontakte von FOTO und STOP serienschalten.
3. Die Überbrückung JP1 des Empfängers einschalten.
4. Fototest anschließen und benutzen, falls die Steuerung diese Funktion vorsieht. In diesem Fall müssen die Überbrückungen JP1 des Empfängers und JP3 des Senders eingeschaltet werden.
5. Wenn die Steuerung nur über den Ausgang SCA verfügt, muss dieser am Eingang Fototest des Empfängers angeschlossen werden. Die Überbrückung JP1 des Empfängers muss ausgeschaltet sein, wogegen die Überbrückung JP3 des Senders eingeschaltet sein muss.
6. Wenn man an der Steuerung über gar keinen verwendbaren Ausgang (Fototest oder SCA) verfügt, an Eingang Fototest des Empfängers nichts anschließen und die Überbrückungen JP1 des Empfängers und JP3 des Senders ausschalten.

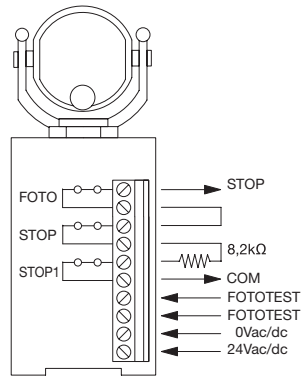
27

28



5.3) Anschlussbeispiel von FT210 an einer Steuerung mit Eingang STOP mit konstantem 8,2kΩ Widerstand.

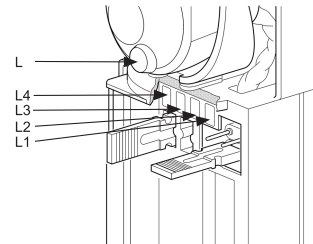
Falls die Steuerung über einen Eingang STOP mit konstantem 8,2kΩ Widerstand verfügt, muss ein 8,2kΩ Widerstand mit den beiden Kontakten FOTO und STOP des Empfängers serienschaltet werden, wie in Abbildung 30 gezeigt.



29

5.4) Meldungen

Der Empfänger von FT210 verfügt über LEDs (siehe Abbildung 30), die je nach Betriebsstatus verschiedene Leuchtanzeigen liefern.



30

Tabelle Nr. 5: Meldungen

LED L (rot)	Ursache	Handlung
2-Mal Schnellblinken Pause 2-Mal Schnellblinken	Meldung - Batterie leer an TX	Die Senderbatterie so schnell wie möglich mit einer neuen desselben Modells ersetzen.
LED L1 (rot)	Ursache	Handlung
regelmäßiges Blinken	Die Blinkfrequenz weist auf die Empfangsgüte hin: je langsamer das Blinken ist, umso besser ist der Empfang	Alles OK, wenn das Blinken langsam ist, max. 3 Mal pro Sekunde, andernfalls muss die Fluchtung zwischen TX und RX kontrolliert werden.
Ein	Kein Signal, der Kontakt "FOTO" bleibt geöffnet.	Das Hindernis entfernen oder die Fluchtung zwischen TX und RX verbessern.
4-Mal Schnellblinken Pause 4-Mal Schnellblinken	Sender im Modus LANGSAM	Alles OK, wenn das Tor steht
5-Mal Schnellblinken Pause 5-Mal Schnellblinken	Der Empfänger erhält ein Infrarotsignal, das er nicht erkennt und das interferiert.	Ein fremder Sender überträgt ein Signal zum Empfänger; die Interferenz beseitigen und die Fluchtung aller vorhandenen Vorrichtungen kontrollieren.
7-Mal Schnellblinken Pause 7-Mal Schnellblinken	Der Empfänger erhält das Infrarotsignal eines zweiten Senders FT210.	Den zweiten Sender beseitigen. Zwei Sender FT210 können nicht in demselben Bereich angebracht sein.
Led L2 (gelb)	Ursache	Handlung
Ein	Meldet einen Fehler beim Test am Bewegungsanfang, und der Sender ist nicht auf SCHNELL umgeschaltet.	Fehler beim Anschluss oder bei der Programmierung des Eingangs FOTOTEST. Wahrscheinlicher schlechter Betrieb des Bewegungssensors.
Aus	Der Test am Beginn der letzten Bewegung war in Ordnung.	Alles OK
Led L3 (rot)	Ursache	Handlung
Ein (Kontakt STOP geöffnet)	Die an TX angeschlossene Schaltleiste ist aktiviert.	Die Ursachen für die Aktivierung der Schaltleiste überprüfen.
Aus (Kontakt STOP geschlossen)	Die an TX angeschlossene Schaltleiste ist nicht aktiviert	Alles OK
Led L4 (grün)	Ursache	Handlung
Ein (Kontakt STOP geschlossen)	Die an TX angeschlossene Schaltleiste ist nicht aktiviert.	Alles OK
Aus (Kontakt STOP geöffnet)	Die an TX angeschlossene Schaltleiste ist aktiviert.	Die Ursachen für die Aktivierung der Schaltleiste überprüfen.

5.5) Probleme und deren Lösungen

In Tabelle Nr. 6 sind nützliche Hinweise zu finden, um eventuelle Betriebsstörungen zu beheben, die bei der Installation oder im Falle von Defekten auftreten können.

Symptome	Empfohlene Überprüfungen
Das Tor kann nicht bewegt werden; alle LEDs am Empfänger von FT210 sind ausgeschaltet.	Prüfen, ob der Empfänger gespeist ist und ob ca. 12/24V Spannung an den Klemmen anliegt.
Das Tor beginnt die Bewegung, stoppt aber nach 1 Sekunde; LED 2 (gelb) eingeschaltet	Der Test bei Bewegungsbeginn war nicht positiv und wahrscheinlicher Fehler in den Anschlüssen oder der Programmierung oder Defekt des Torbewegungssensors an TX.
Das Tor stoppt während des Laufs oder kehrt die Bewegung um; L1 (rot) ist fest leuchtend eingeschaltet.	Das Vorhandensein eventueller Hindernisse und die Fluchtung zwischen TX und Rx auf der gesamten Lauflänge überprüfen.
Das Tor stoppt während des Laufs oder kehrt die Bewegung um; L3 (rot) ist eingeschaltet und L4 (grün) ist ausgeschaltet.	Die Schatlleiste wurde ausgelöst. Das eventuelle Hindernis entfernen oder korrekten Betrieb der Schatlleiste überprüfen.
Ab und zu stoppt das Tor während des Laufs oder kehrt die Bewegung um; L1 (rot) blinkt schnell.	Die Fluchtung zwischen TX und Rx auf der gesamten Lauflänge überprüfen.
Beim Einschalten der Vorrichtung wird die gelbe LED L2 am Empfänger leuchten und die rote LED L1 blinken. Wenn man den Infrarotstrahl abblendet, wird die LED L1 fest leuchten, aber man hört kein Auslösen eines Relais.	Der Empfänger ist auf den Modus Fototest (JP1 eingeschaltet) eingestellt, hat den Test bei Beginn der Bewegung aber noch nicht ausgeführt. Wenn man über eine Steuerung mit Fototest verfügt, die Überbrückung JP1 des Empfängers eingeschaltet lassen, die Anschlüsse überprüfen und der Automatisierung eine Bewegung durchführen lassen. Wenn die Steuerung nicht über einen Ausgang Fototest verfügt, ist die Überbrückung JP1 bestimmt falsch eingeschaltet. Die Überbrückung ausschalten, den Infrarotstrahl abblenden und prüfen, dass die Relais auslösen.
Ab und zu stoppt das Tor während des Laufs oder kehrt die Bewegung um, manchmal blockiert es sich auch ganz und kann nicht mehr bewegt werden; die LED L (rot) blinkt ständig 2 Mal schnell.	Die Batterie im TX ist leer und im schlechtesten Zustand erfolgt keine Kommunikation zwischen TX und RX. Das Blinken der LED L (rot) bedeutet, dass die Batterie gewechselt werden muss.

6) Wartung

Die Vorrichtung FT210 bedarf keiner besonderen Wartung, dennoch muss FT210 aber mindestens alle 6 Monate kontrolliert werden, mit Überprüfung des Zustandes der Fotovorrichtung (Vorhandensein von Feuchtigkeit, Rost, usw.), Reinigung des Außengehäuses sowie erneuter Durchführung der in Kapitel 4 beschriebenen "Abnahme". FT210 wurde entwickelt, um unter normalen Bedingungen mindestens 10 Jahre zu funktionieren; nach dieser Zeit sollte die Wartung häufiger ausgeführt werden.

7) Entsorgung

Wie die Installationsarbeiten muss auch die Abrüstung am Ende der Lebensdauer dieses Produktes von Fachpersonal ausgeführt werden. Dieses Produkt besteht aus verschiedenen Stoffen, von denen einige recycled werden können. Informieren Sie sich über die Recycling- oder Entsorgungssysteme, die für diese Produktkategorie von den örtlich gültigen Vorschriften vorgesehen sind.

Achtung: bestimmte Teile des Produktes können Schadstoffe oder gefährliche Substanzen enthalten, die, falls in die Umwelt gegeben, schädliche Wirkungen auf die Umwelt und die Gesundheit der Menschen haben könnten.

Wie durch das Symbol in Abb. 31 angegeben, ist es verboten, dieses Produkt zum Haushaltsmüll zu geben. Daher differenzieren Sie nach den Methoden entsorgen, die von den örtlich gültigen Ver-

ordnungen vorgesehen sind, oder das Produkt dem Verkäufer beim Kauf eines neuen, gleichwertigen Produktes zurückgeben. Die örtlichen Verordnungen können schwere Strafen im Fall einer widerrechtlichen Entsorgung dieses Produktes vorsehen.



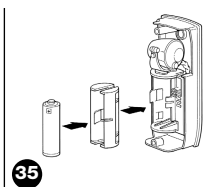
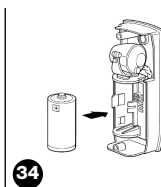
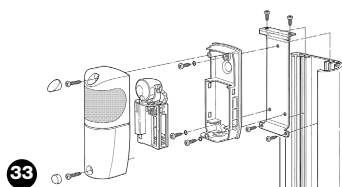
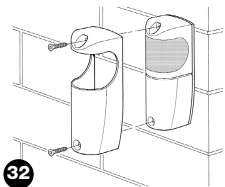
Achtung: das Produkt funktioniert mit Batterien, die Schadstoffe enthalten könnten und daher nicht in den Hausmüll gegeben werden dürfen. Nachdem sie aus dem Produkt genommen sind (siehe Par. "Erstanz der Batterie" in Kap. "Anweisungen und Hinweise für den Benutzer von FT210B") müssen sie nach den Methoden entsorgt werden, die für Batterien von den örtlichen Verordnungen vorgesehen sind.

8) Zubehör

Zur Verfügung steht folgendes Zubehör:

- FA1: aufbruchssicheres Metallgehäuse; Montage gemäß Abbildung 32.
- FA2: Bügel für die Befestigung auf Standsäulen "MOCF"; Montage gemäß Abbildung 33.

- FA1: 3,6V, 7Ah Batterie Größe; Montage gemäß Abbildung 34.
- FA2: 3,6V, 2Ah Batterie Größe; Montage gemäß Abbildung 35.



9) Technische Merkmale

Für eine Verbesserung der Produkte behält sich NICE S.p.A. das Recht vor, die technischen Merkmale jederzeit und ohne vorherige Benachrichtigung zu ändern, wobei aber die vorgesehenen Funktionalitäten und Einsätze garantiert bleiben. Anmerkung: alle technischen Merkmale beziehen sich auf eine Temperatur von 20°C.

Technische Merkmale von FT210	
Typik	Vorrichtung für die optische Übertragung des Status einer an sich bewegenden Teilen angebrachten Schalleiste mit konstantem Widerstand, bestehend aus einem über Batterie gespeisten Infrarotsender (TX), angebracht auf dem sich bewegenden Torflügel, an dem die Schalleiste angeschlossen ist, und aus einem auf dem festem Teil angebrachten Empfänger (RX).
Angewendete Technologie	Übertragung durch optische Direktinterpolation von TX und RX mit moduliertem und codiertem Infrarotstrahl.
Empfängerversorgung	12±24Vac/dc; Grenzwerte: 10±35 Vcc; 11±28Vac 50/60Hz; mit Isolationstransformator gemäß EN 61558.
Stromaufnahme des Empfängers	ca. 120mA bei 12Vcc; 70mA bei 24Vac
Spannung am Eingang "Fototest"	Gleiche Grenzwerte der „Empfängerversorgung“
Senderversorgung	3,6V mit Lithiumbatterie des Typs C oder AA
Dauer der Senderbatterie	schätzungsweise länger als 15 Jahre mit 7Ah Batterie des Typs C (Einsatz an Wohngebäuden: Entfernung zwischen TX und RX bis 7m bei 20 Bewegungen pro Tag mit einer Dauer von 90 Sekunden). Schätzungsweise ca. 5,5 Jahre mit 7Ah Batterie des Typs C (Einsatz an Industriegebäuden: Entfernung zwischen TX und RX bis 15m bei 200 Bewegungen pro Tag mit einer Dauer von 90 Sekunden). Schätzungsweise ca. 6 Jahre mit 2Ah Batterie des Typs AA (Einsatz an Wohngebäuden: Entfernung zwischen TX und RX bis 7m bei 20 Bewegungen pro Tag mit einer Dauer von 90 Sekunden).
Bereich des Eingangs der empfindlichen Vorrichtung (Rs)	mit 8,2KΩ Widerstand; +22%/-65% für den Status „aktiviert“ (EIN) Grenzwerte im aktiven Status (EIN): mit $R_s > 2.870\Omega$ und $R_s < 10.010\Omega$ Grenzwerte im nicht aktiven Status (AUS): mit $R_s < 2.590\Omega$ oder $R_s > 11.060\Omega$
Detektionsvermögen des Präsenzdetektors Typ D	Matte Gegenstände auf der optischen Achse zwischen TX und RX mit einer Größe über 50 mm und einer Geschwindigkeit unter 1,6m/s.
Übertragungswinkel von TX	+/- 4° (bei 50% der Reichweite gemessener Wert)
Empfangswinkel von RX	+/- 3° (bei 50% der Reichweite gemessener Wert)
Ausrichtbarkeit	ca. 210° horizontal, 30° vertikal
Nutzreichweite	7m oder 15m (mit JP1 eingeschaltet an TX) bei einer maximalen Nichtfluchtung zwischen TX und RX von ± 2° (die Reichweite könnte sich bei besonders schlechten Umgebungsbedingungen wie Nebel, Regen, Schnee, Staub, usw. weiter reduzieren)
Max. Reichweite (unter optimalen Bedingungen)	15m oder 30m (mit JP1 eingeschaltet an TX) bei einer maximalen Nichtfluchtung zwischen TX und RX von ± 2°.
Ansprechzeit des Ausgangs FOTO	<45ms (typisch 31ms)
Ansprechzeit des Ausgangs STOP	<30ms (typisch 28ms)
Ansprechzeit des Ausgangs STOP1	1,5s ± 3%.
Fehlertoleranzklasse	3 oder 2 (gemäß Norm EN 954-1), je nach Anschlussstyp der Ausgänge und Eingang FOTOTEST
Kapazität der Ausgangsrelaiskontakte	max. 0.5A und max. 48Vac (resistive Last: $\cos\phi=1$).
Dauer der Ausgangsrelaiskontakte	Mechanische Lebensdauer > 1.000.000 Zyklen; elektrische Lebensdauer > 200.000 Zyklen (resistive Last: 0,25A; 24Vcc).
Benutzung in säure- und salzhaltiger oder potentiell explosionsgefährdeter Umgebung	Nein.
Montage	RX: vertikale Wandmontage oder auf Standsäule "MOCF" mit Befestigungsbügel "FA2" TX: direkt am Tor mit den mitgelieferten Schrauben.
Schutzart Gehäuse	IP44.
Betriebstemperatur	-20 ÷55°C.
Abmessungen	46 x 128 h 45mm.
Gewicht	Empfänger: 135g. Sender 165g mit FTA1 oder 140g mit FTA2.

Anweisungen und Hinweise für den Benutzer von FT210

Die vorliegenden Anweisungen können und müssen die "Anweisungen und Hinweise für den Gebrauch der Automatisierung" ergänzen, die der Installateur dem Besitzer der Automatisierung übergeben muss.

- **Wartung:** wie jede Maschine benötigt auch Ihre Automatisierung eine regelmäßige Wartung, damit sie so lange wie möglich und in voller Sicherheit funktionieren kann. Vereinbaren Sie mit Ihrem Installateur einen programmierten Wartungsplan. Nice empfiehlt eine programmierte Wartung alle sechs Monate bei Normalgebrauch für den Haushalt, dieser Zeitraum kann aber je nachdem, wie häufig die Anlage benutzt wird, unterschiedlich sein. Arbeiten wie Wartung, Kontrollen und Reparaturen dürfen nur von Fachpersonal ausgeführt werden.
- Auch wenn Sie meinen, dass Sie wissen, wie das gemacht wird, ändern Sie die Anlage und die programmierten Parameter sowie die Einstellungen der Automatisierung nicht: diese Verantwortung steht Ihrem Installateur zu.
- Die Endabnahme, die periodischen Wartungen und eventuelle Reparaturen müssen von dem, der diese Arbeiten ausführt, belegt sein, und diese Belege müssen vom Besitzer der Anlage aufbewahrt werden.
- Die einzigen Eingriffe, die Sie ausführen und periodisch auch ausführen sollten, sind die Reinigung der Gläser an den Photozellen und die Entfernung eventueller Blätter oder Steine, die den Automatismus behindern könnten. Um zu verhindern, dass jemand das Tor betätigt, entriegeln Sie vor diesen Arbeiten den Automatismus. Zur Reinigung nur ein mit Wasser leicht benetztes Tuch verwenden.
- **Entsorgung:** Versichern Sie sich, dass die Entsorgung am Ende der Lebensdauer Ihrer Automatisierung von Fachpersonal gemacht wird und dass die Materialien nach den örtlich gültigen Vorschriften recycled oder entsorgt werden.

• Ersatz der Senderbatterie von FT210.

Der Sender am sich bewegenden Torflügel verfügt über eine spezielle, 3,6V Lithiumbatterie. Die geschätzte Lebensdauer ist mehrere Jahre und hängt von den Betriebsbedingungen ab. Einige Monate, bevor die Batterie

ganz leer ist, ist eine Meldung vorgesehen, so dass Sie genügend Zeit zum Auswechseln der Batterie haben. Wenn sie am Empfänger am festen Teil (an der Mauer wie in Abb. A oder auf Standsäule wie in Abb. B) diese Meldung bemerken: **2 Mal Schnellblinken gefolgt von einer 1s langen Pause.**

Muss die Batterie im Sender am Torflügel gewechselt werden. Hierzu:

- 1) Die Kappen entfernen, mit denen die Schrauben bedeckt sind - siehe Abb. C.
- 2) Die Deckelschrauben lösen und den Deckel entfernen - siehe Abb. C.
- 3) Die alte Batterie mit einem Schraubenzieher anheben und herausnehmen.
- 4) Vor dem Einfügen der neuen Batterie ca. 10 Sekunden warten.
- 5) Die Polung beachten: Pluspol nach oben.
- 6) Die neue Batterie gemäß Abb. D oder E und je nach benutztem Modell einfügen.
- 7) Den Deckel mit den Schrauben befestigen und die Kappen einfügen.

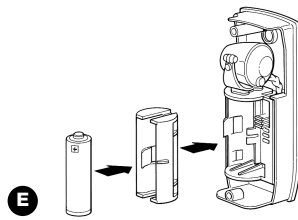
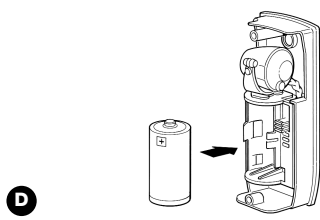
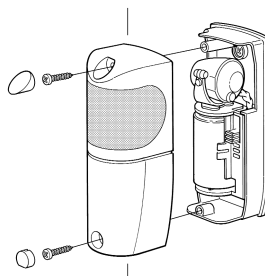
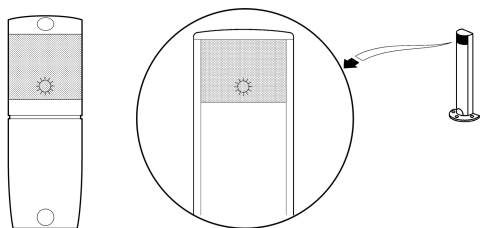
Zur Verfügung stehen 2 Batterietypen:

- FTA1: 3,6V, 7Ah Batterie Größe C; Montage gemäß Abbildung D.
- FTA2: 3,6V, 2Ah Batterie Größe AA; Montage gemäß Abbildung E.

Achtung: die in diesem Produkt benutzten Batterien sind keine konventionellen Alkalibatterien.

Der Ersatzbatterie-Kit "FTA1" oder "FTA2" kann bei Nice s.p.a. bestellt werden.

Achtung: das Produkt funktioniert mit Batterien, die Schadstoffe enthalten könnten und daher nicht in den Hausmüll gegeben werden dürfen. Nachdem sie aus dem Produkt genommen sind (siehe Par. "Ersatz der Batterie" in Kap. "Anweisungen und Hinweise für den Benutzer von FT210B") müssen sie nach den Methoden entsorgt werden, die für Batterien von den örtlichen Verordnungen vorgesehen sind.



1) Advertencias

Este manual de instrucciones contiene informaciones importantes en materia de seguridad para la instalación, es necesario leer detenidamente todas las instrucciones antes de comenzar la instalación. Conserve este manual en buenas condiciones para su consultación posterior.

Considerando los peligros que pueden generarse durante la instalación y el uso de FT210, para la seguridad máxima es necesario que la instalación sea realizada respetando plenamente las leyes, normas y reglamentos.

Según la legislación europea más reciente, la realización de una puerta o portón automático entra en el ámbito de las disposiciones de la Directiva 98/37/CE (Directiva de Máquinas) y, en particular, en las normas: EN 13241-1 (norma armonizada); EN 12445; EN 12453 y EN 12635, que permiten declarar la conformidad con la directiva de máquinas.

Otras informaciones, directrices para el análisis de los riesgos y la realización del Expediente Técnico están disponibles en: "www.niceforyou.com". Este manual está destinado únicamente al personal técnico cualificado para la instalación; ninguna información contenida en este manual puede ser considerada de interés para el usuario final!

- Está prohibido utilizar FT210 para una finalidad diferente de aquella dispuesta en estas instrucciones; un uso inadecuado puede ser peligroso o causar daños a las personas o bienes.
- No modifique ninguna parte salvo si está previsto en estas instrucciones; los trabajos de este tipo pueden causar solamente desperfectos; NICE no es responsable de los daños que deriven de productos modificados.
- FT210 debe funcionar solamente por interpolación directa TX-RX; está prohibido utilizarla por reflexión.

- Para las conexiones eléctricas utilice conductores adecuados tal como indicado en el capítulo "instalación".
- Controle que la alimentación eléctrica y los demás parámetros de uso correspondan con los valores indicados en la tabla "características técnicas".
- La realización de los dispositivos de seguridad para puertas y cancelas automáticas está sujeta a las siguientes normativas:
 - EN 12453 Puertas industriales, comerciales, de garaje y portones. Seguridad de utilización de puertas motorizadas - Requisitos.
 - EN 12978 - Puertas industriales, comerciales, de garaje y portones - Dispositivos de seguridad para puertas y portones motorizados - Requisitos y métodos de ensayo.

La instalación y la conexión de FT210, con la finalidad de efectuar un dispositivo de seguridad, sin satisfacer los requisitos de estas normas representa una negligencia y abuso deliberado.

Advertencias especiales sobre la idoneidad para el uso de este producto con relación a la Directiva "Compatibilidad Electromagnética" 89/336/CEE y modificación siguiente 92/31/CEE y 93/68/CEE:

Este producto ha sido sometido a los ensayos en materia de compatibilidad electromagnética en las situaciones de uso más duras, en las configuraciones previstas en este manual de instrucciones y en combinación con los artículos presentes en el catálogo de productos de Nice S.p.A. Si el producto se utilizara con configuraciones o con otros productos no previstos, podría perderse la garantía de la compatibilidad electromagnética; en dichas condiciones, está prohibido el uso del producto hasta que la persona que efectúa la instalación haya verificado que responde a los requisitos previstos por la directiva.

2) Descripción del producto y uso previsto

FT210 es un dispositivo que permite resolver el problema de las conexiones eléctricas de las bandas sensibles montadas en las hojas móviles. Está formado de un transmisor de rayos infrarrojos (TX), alimentado por una batería de larga duración, que se monta sobre la hoja móvil en la que se conecta la banda sensible. A esto se suma un receptor (RX), situado en la parte fija, alimentado normalmente: 12÷24Vac/dc.

La banda sensible de resistencia constante 8,2kΩ es controlada continuamente por el transmisor, y el estado de activación o desactivación es enviado al receptor. El receptor RX interpreta la información recibida y según el estado de la banda, activa o desactiva los 2 relés de salida STOP y STOP1 (también FOTO si el puente de conexión JP2 del receptor está desconectado. Véase la tabla 2). La comunicación entre TX y RX está codificada con técnicas de alta seguridad que permiten que todo el dispositivo responda a la categoría 3 de seguridad referida a las averías, según la norma EN 954-1, y, por consiguiente, puede utilizarse en sistemas PSPE conformes a la norma EN 12978.

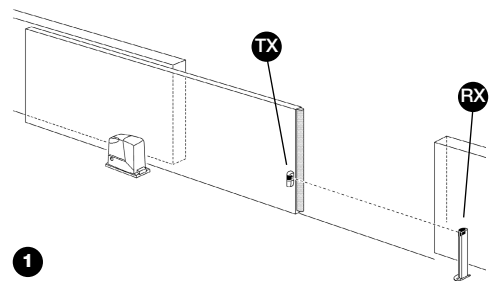
El fotodispositivo FT210, ensamblado según las instrucciones y dotado de banda sensible TCB65, ha sido certificado por el fabricante resultando conforme a las siguientes normativas:

- EN 954-1 Seguridad de las máquinas. Partes de los sistemas de mando relativas a la seguridad. Parte 1: principios generales para el diseño.

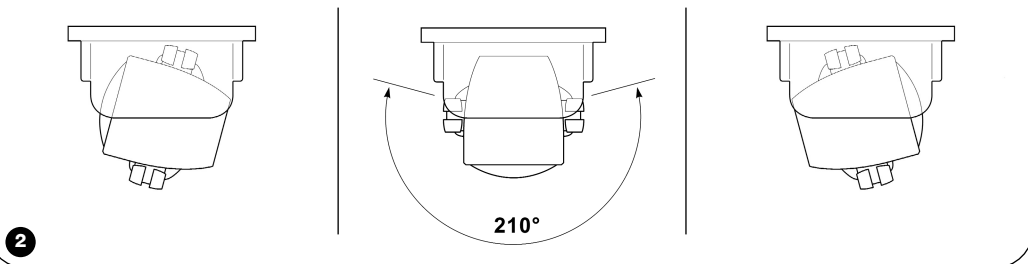
- EN 1760-2 Seguridad de las máquinas. Dispositivos de protección sensibles a la presión. Parte 2: Principios generales para el diseño y ensayo de paragolpes, placas, cables y dispositivos similares sensibles a la presión.
- EN 12978 - Puertas industriales, comerciales, de garaje y portones - Dispositivos de seguridad - Requisitos y Métodos de ensayo.

Atención: el FT210 solo no es un dispositivo de seguridad completo sino que es sólo una parte de este!

Si TX y RX se colocan de manera que la comunicación óptica se realice mediante el paso (véase la figura 1), el dispositivo puede utilizarse también como detector de presencia (tipo D según la norma EN 12453); en efecto, un objeto que interrumpe el rayo provoca la desactivación del tercer relé de salida FOTOCÉLULA.



Dado que es posible orientarlo a 210° sobre el eje horizontal y 30° sobre el eje vertical, el FT210 también puede utilizarse donde las superficies de fijación impiden una alineación correcta entre TX y RX (véase la figura 2).



3) Instalación

⚠ Todas las operaciones de instalación deben realizarse sin tensión en la instalación; si hubiera una batería compensadora montada, desconéctela.

3.1) Controles preliminares

Dada la peculiaridad y la unicidad del producto, antes de proceder con la instalación, es necesario evaluar algunos aspectos relativos al principio de funcionamiento para poder obtener la máxima seguridad y funcionalidad.

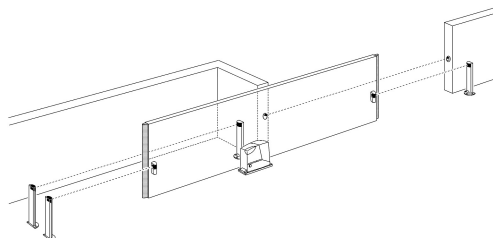
- Controle detenidamente que los parámetros de utilización concuerden con los datos indicados en el capítulo "Características técnicas". Si tuviera dudas, no utilice el producto y contacte con el servicio de asistencia técnica de Nice.
- El transmisor controla continuamente el estado de la banda sensible y envía la información al receptor. Para reducir el consumo de la batería y mantener la seguridad necesaria, dicha actividad se desarrolla con 2 "velocidades" diferentes: LENTA cuando la cancela está detenida; RÁPIDA cuando la cancela está moviéndose. El transmisor reconoce que la cancela se está moviendo mediante un sensor especial que detecta las vibraciones de la cancela en movimiento. Ni bien la cancela empieza a moverse, el transmisor pasa al modo RÁPIDO y permanece así hasta que la cancela deja de moverse durante 10 ó 90 segundos (véanse los puentes de conexión JP2 y JP3 en la tabla 1).
- Para garantizar el nivel de seguridad requerido, el receptor debe conocer el estado de la cancela, especialmente para verificar si el modo LENTO o RÁPIDO del transmisor es correcto. Este mecanismo de control se conecta a la entrada "FOTOTEST" del receptor (véanse también los ejemplos de conexión en las figuras 18 y 19). Generalmente, en las centrales de mando, cada vez que inicia una maniobra, se ejecuta un Fototest; de esta manera, el receptor de FT210 recibe la información que dentro de pocos instantes la cancela empezará a moverse.
- Si la central de mando no está dotada de Fototest, es posible utilizar igualmente el dispositivo FT210, conectando la entrada de FOTOTEST de FT210 a la salida SCA (Indicador luminoso Cancela Abierta) de la central; en este caso, es necesario que en la salida SCA haya una señal intermitente (parpadeo) durante toda la duración de la maniobra (véase el ejemplo de conexión en la figura 20).
- Si la central de mando tampoco está dotada de la salida SCA, habrá que programar FT210 en modo RÁPIDO continuo, desconectando el puente de conexión JP3 en el TX (véase la tabla 1).
- En las centrales, donde el FOTOTEST se ejecuta únicamente al comienzo de la apertura y existe el cierre automá-

tico, es necesaria la pausa de 90 segundos en la conmutación de modo RÁPIDO a modo LENTO cuando se detiene la cancela (véase JP2 en la tabla 1). De esta manera, el TX permanecerá en modo RÁPIDO durante todo el tiempo de apertura de la cancela.

Obviamente, el tiempo de pausa de la central debe ser inferior a 90 segundos.

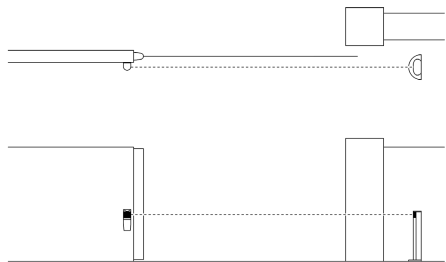
- FT210 ha sido estudiado para no provocar perturbaciones a otras fotocélulas y para no ser perturbado por éstas; esto significa que FT210 puede combinarse con otras fotocélulas. Se garantiza el funcionamiento con al menos otro par de fotocélulas fabricado por Nice, mientras que no se garantiza el funcionamiento con más de un par o con fotocélulas de otra marca. De todas maneras, para comprobar que no haya problemas con otros dispositivos, siga escrupulosamente el procedimiento de ensayo indicado en el capítulo 4 y controle la señalización específica en la tabla 5.
- Se pueden montar dos dispositivos FT210 para controlar la parte delantera y trasera de una misma cancela, dado que en este caso los dos TX envían la señal hacia dos direcciones opuestas.
- No pueden montarse dos dispositivos FT210 para controlar la misma zona; si un receptor debe detectar la señal de dos transmisores, entraría en estado de "seguridad", impidiendo el movimiento de la cancela. Véase la señalización específica en la tabla 5.

En la figura 3 se muestra un ejemplo de instalación correcta.

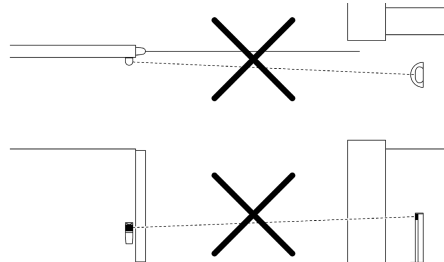


- El transmisor TX del FT210 emite un rayo con un ángulo de unos $\pm 4^\circ$, por lo tanto, es necesario efectuar una alineación perfecta entre TX y RX, que debe mantenerse constante a lo largo de toda la carrera de la cancela.

En la figura 4 se muestra un montaje correcto; en la figura 5 se muestran dos ejemplos de montaje incorrecto.

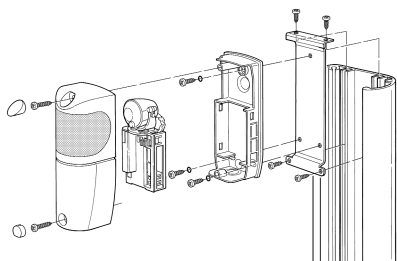


4

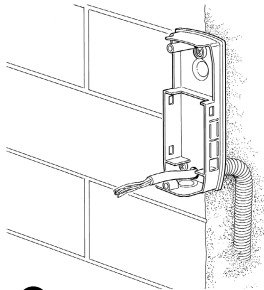


5

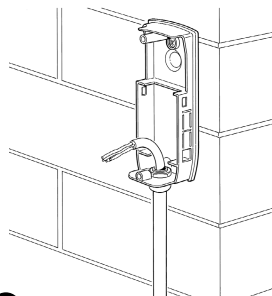
- Según las necesidades, el receptor puede instalarse en una columna MOCF con el accesorio específico FA2 (véase la figura 6), o bien puede fijarse a la pared; en este caso, el cable puede entrar desde el fondo (véase la figura 7) o desde abajo; en este último caso, hay que montar un prensaestopas tipo "PG9" (véase la figura 8).



6



7

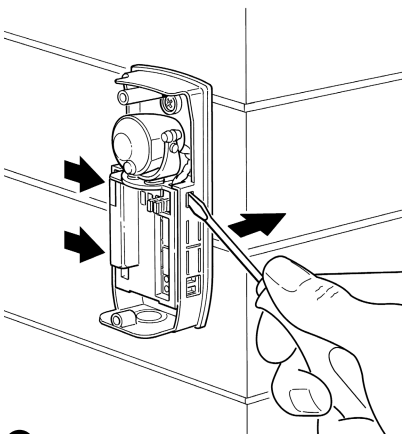


8

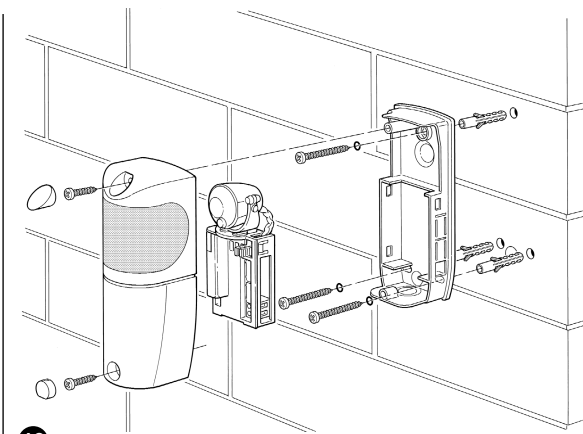
3.2) Fijación de los dispositivos

Instale y fije los dispositivos según la siguiente secuencia de operaciones:

1. Para facilitar la fijación es posible separar la tarjeta electrónica del fondo haciendo palanca con un destornillador en los tres encastres, tal como indicado en la figura 9.
2. Fije el receptor, tal como indicado en la figura 10.



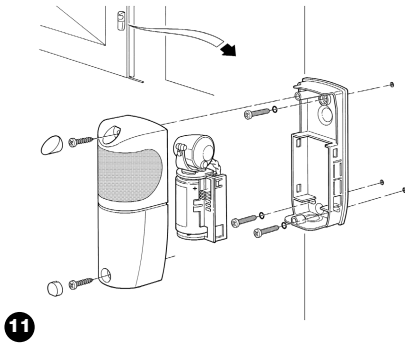
9



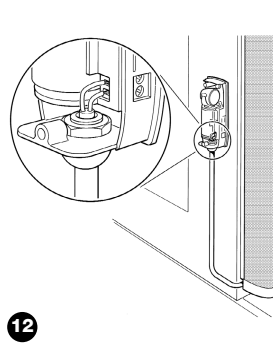
10

3. Monte el transmisor en la hoja móvil, tal como indicado en la figura 11.

4. Realice en el transmisor la conexión eléctrica de la banda sensible, de resistencia constante $8,2K\Omega$, tal como se muestra en la figura 12. La resistencia en los bornes del TX debe quitarse y utilizarse como terminal de la banda sensible, o bien puede no utilizarse cuando la banda tenga una resistencia de terminación propia.



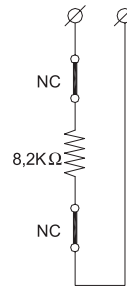
11



12

SENSITIVE DEVICE

FT210 TX



13

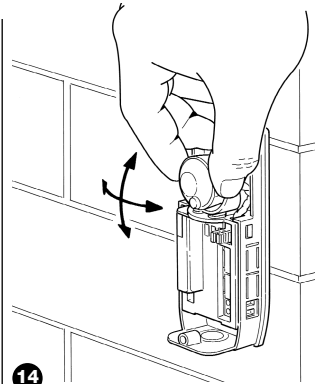
Si la banda sensible tiene una salida con 2 contactos NC disponibles por separado, es posible conectarla tal como indicado en la figura 13, conectando la resistencia de $8,2K\Omega$ en serie entre los dos contactos. Controle que el fabricante de la banda sensible declare como mínimo la categoría 3 de seguridad referida a las averías, según la norma EN 954-1.

Atención: no utilice bandas sensibles que tengan como salida un contacto NC; no tendrían la categoría de seguridad referida a las averías requerida por las normativas.

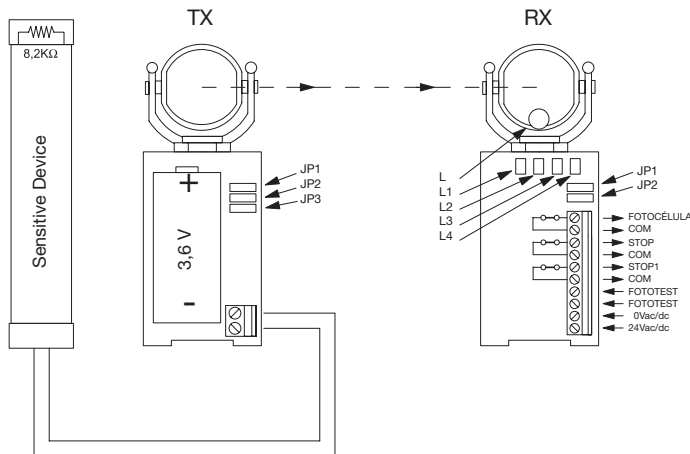
5. Realice las conexiones eléctricas según las indicaciones del manual de instrucciones de la central de mando. Véanse también los ejemplos de conexión en el capítulo 3.3 "Conexiones eléctricas".

6. Oriente las lentes tal como indicado en la figura 14 para alinear de la mejor manera posible el TX con el RX. La alineación debe comprobarse tal como indicado en el capítulo 4 "Ensayo".

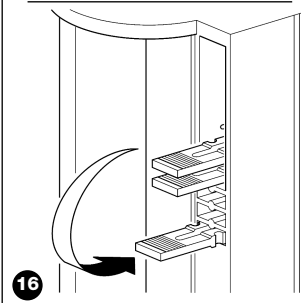
7. Programe los puentes presentes en TX y en RX (véase la figura 15) para el funcionamiento deseado según lo indicado en la tabla 1 y 2. Para poderlos utilizar posteriormente, coloque los puentes que no se utilicen en el alojamiento específico (véanse las figuras 16 y 17).



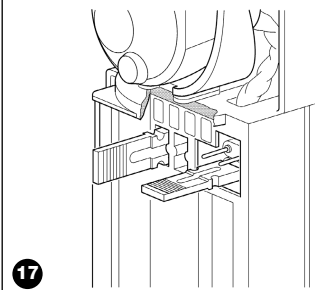
14



15



16



17

Tabla 1: puentes de conexión en el transmisor TX

Puente de conexión	Posición	Descripción
JP1	Conectado	Potencia del transmisor adecuada para cancelas de hasta 15 metros.
	Desconectado	Potencia del transmisor adecuada para cancelas de hasta 7 metros.
JP2	Conectado	Conmuta a la transmisión LENTA después de 10 segundos al final de la maniobra (véase también JP3).
	Desconectado	Conmuta a la transmisión LENTA después de 90 segundos al final de la maniobra (véase también JP3).
JP3	Conectado	Al final de la maniobra, conmuta a la transmisión LENTA.
	Desconectado	Nunca conmuta a la transmisión LENTA sino que siempre queda en modo RÁPIDO.

Tabla 2: puentes de conexión en el receptor RX

Puente de conexión	Posizione	Descrizione
JP1	Conectado	Entrada Fototest conectada a la salida Fototest de la central.
	Desconectado	Entrada Fototest conectada a la salida SCA de la central; o entrada Fototest desconectada si la central no incorpora ni Fototest ni la salida SCA (Atención: posible únicamente con JP3 en TX desconectado)
JP2	Conectado	La interrupción del rayo infrarrojo provoca la apertura del contacto FOTOCÉLULA. La activación de la banda sensible provoca la apertura del contacto STOP y después de 1,5 seg. la del contacto STOP1.
	Desconectado	La interrupción del rayo infrarrojo provoca la apertura del contacto FOTOCÉLULA. La activación de la banda sensible provoca la apertura del contacto FOTOCÉLULA y después de 1,5 seg. la de los contactos STOP y STOP1. Utilícese en las centrales que no prevean la inversión con activación de STOP.

3.3) Conexiones eléctricas

En este capítulo se describen las conexiones eléctricas y algunos esquemas de conexión posibles según el tipo de central de control utilizada en la automatización. Si tuviera dudas, no utilice el producto y contacte con el servicio de asistencia técnica de Nice.

Tabla 3: lista de las conexiones

Conexión	Tipo de cable	Longitud máxima	Descripción
12÷24V	2x0,5mm ²	30m	Alimentación del receptor; en corriente continua o bien corriente alterna.
Fototest	2x0,25mm ²	30m	Entrada para test al inicio de la maniobra; puede conectarse a tensiones de corriente continua o corriente alterna; no depende de los bornes de alimentación.
Contactos salidas	2x0,25mm ²	30m	Contactos de los relés de salida; normalmente cerrados (NC) cuando el receptor está alimentado y activo (véase la tabla 4).

Tabla 4: descripción de las salidas RX

Salida	Contacto relé	Descripción
FOTOCÉLULA	Cerrado	No hay obstáculos y la recepción de los datos transmitidos desde el TX es correcta.
	Abierto	Hay obstáculos y la recepción de los datos transmitidos desde el TX es incorrecta.
La salida FOTOCÉLULA debe conectarse a la entrada de la central que provoca la inversión del movimiento, normalmente destinada al detector de presencia tipo D.		
STOP	Cerrado	La banda sensible conectada en el TX no está presionada.
	Abierto	La banda sensible conectada en el TX está presionada.
La salida STOP debe conectarse a la entrada de la central que provoca la parada y la inversión del movimiento, normalmente destinada a los dispositivos de seguridad sensibles a la presión PSPE.		
STOP1	Cerrado	La banda sensible conectada en el TX no está presionada.
	Abierto	Después de 1,5 segundos, si la banda sensible conectada en el TX está presionada.

La salida STOP1 debe conectarse a la segunda entrada de la central que provoca la parada y la inversión del movimiento, normalmente destinada a los dispositivos de seguridad sensibles a la presión PSPE.

Si esta segunda entrada no estuviera disponible en la central, es posible:

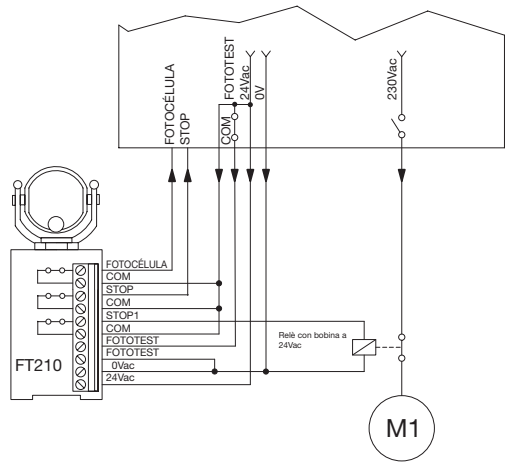
- usar la salida STOP1 para accionar un relé de potencia adecuada que corte la alimentación directamente al motor (véase la figura 18).
- no utilizar la salida STOP1 ni desconectar JP2 en el RX, de esta manera la activación de la banda sensible provoca la apertura del contacto FOTOCÉLULA, garantizando en este caso la categoría 3 de seguridad referida a las averías.

3.3.1) Ejemplo de conexión genérica

En la figura 18 se indica un ejemplo de conexión de FT210 a una central genérica con entradas FOTO-CÉLULA, STOP y dotada de salida para Fototest. En esta configuración, ajuste los puentes de conexión del receptor RX de la siguiente manera:

- JP1 **conectado**
- JP2 **activo**, si la activación de la entrada STOP de la central provoca la parada y la inversión del movimiento (en este caso el relé conectado a STOP1 en la figura 18 puede eliminarse y el contacto de STOP1 debe colocarse en serie a FOTO y conectarse a la entrada de FOTO de la central, como se muestra en las figuras 19 y 20)
- **desactivado**, si la activación de la entrada STOP de la central provoca únicamente la parada del movimiento

18

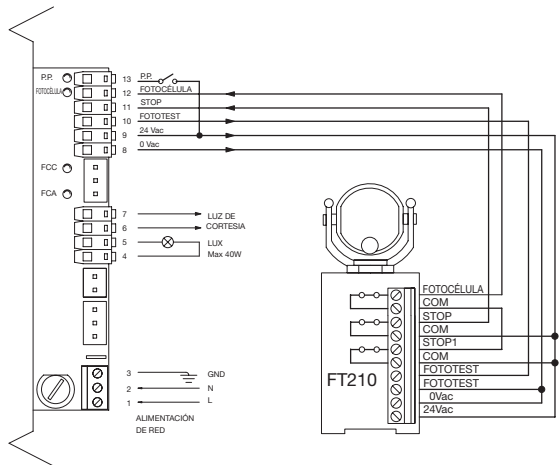


3.3.2) Ejemplo de conexión con central dotada de "Fototest"

En la figura 19 se indica un ejemplo de conexión de FT210 a la central del motorreductor ROBO modelo "RO300" utilizando la función de Fototest. En esta configuración, ajuste los puentes de conexión del receptor RX de la siguiente manera:

- JP1 **conectad**
- JP2 **conectad** (central con inversión del movimiento al activarse la entrada de STOP)

19



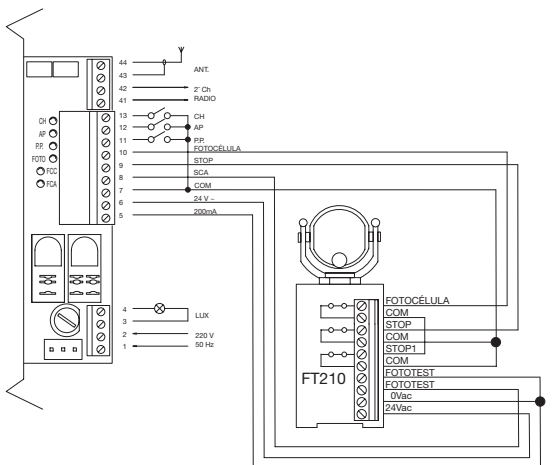
3.3.3) Ejemplo de conexión con central dotada de salida SCA

En la figura 20 se indica un ejemplo de conexión de FT210 a la central del motorreductor ROBO modelo RO1000 utilizando la salida SCA.

En esta configuración, ajuste los puentes de conexión del receptor RX de la siguiente manera:

- JP1 **desconectado**
- JP2 **conectado** activo (central con inversión del movimiento al activarse la entrada de STOP)

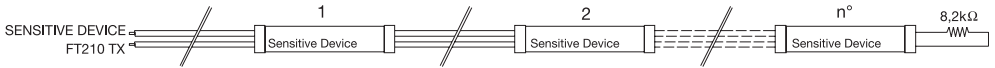
20



3.3.4) Conexión de 2 o varias bandas sensibles

El transmisor de FT210 dispone de una sola entrada para bandas sensibles; sin embargo, dos o varios dispositivos sensibles, que cumplan la misma función, pueden conectarse en cascada, uno después de otro, como se muestra en la figura 21, poniendo una sola resistencia de 8,2k Ω de terminación.

Atención: los dispositivos de resistencia constante deben conectarse en cascada y nunca en serie ni en paralelo entre sí.



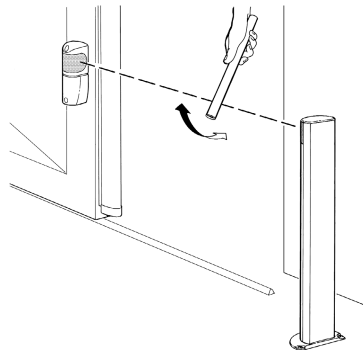
21

4) Ensayo

Cada componente de la automatización requiere una etapa de ensayo específica. Para el ensayo de "FT210", efectúe la siguiente secuencia de operaciones. Si hubiera 2 dispositivos, uno en la parte delantera de la hoja y otra en la parte trasera (véase la figura 3), habrá que repetir la secuencia para cada dispositivo.

Atención: en algunos puntos podría ser necesario efectuar controles con la cancela en movimiento; dado que la automatización PODRÍA ser INSEGURA; tenga mucho cuidado cuando efectúe dichos controles.

1. Controle que se hayan respetado estrictamente las indicaciones dadas en este manual y especialmente aquellas de los capítulos 1 "Advertencias" y 3 "Instalación".
2. Desbloquee y abra completamente la hoja de la cancela para que el TX se encuentre lo más lejos posible del RX.
3. Controle que no haya ningún obstáculo entre TX y RX.
4. Desconecte la alimentación eléctrica del receptor y quite la batería del transmisor.
5. Desconecte el dispositivo sensible de los bornes del TX y, con un ohmímetro, mida el valor de la resistencia del dispositivo y controle que el valor esté comprendido entre 7700 Ω y 8700 Ω (nominal 8200 Ω).
6. Presione la banda sensible para activarla y mida nuevamente el valor de la resistencia; controle que el valor sea menor que 1000 Ω o bien superior que 16500 Ω .
7. Conecte nuevamente el dispositivo sensible a los bornes del TX.
8. Conecte la alimentación eléctrica al receptor y controle que los leds L1 (Ir Level), L2 (Fototest Ko) y L3 (Sensitive Device Ko) estén encendidos; controle que el led L4 (Sensitive Device Ok) esté apagado (véase la figura 30).
9. Corte el puente de conexión JP3 en el TX para que éste transmita siempre en modo RÁPIDO.
10. Si la distancia entre TX y RX supera 7 m, controle que el puente de conexión JP1 en el TX esté conectado (es decir programado para distancias de hasta 15m).
11. Introduzca la batería FTA1 o bien FTA2 en el TX (véanse las figuras 33 ó 34).
12. En el receptor RX, controle que el led L1 (Ir Level) parpadee; que los leds L2 (Fototest Ko) y L4 (Sensitive Device Ok) estén encendidos y que el led L3 (Sensitive Device Ko) esté apagado.
13. Si hubiera que mejorar la alineación, modifique la orientación de las lentes del TX y del RX, tal como indicado en la figura 14. Siga las señales del led L1 (Ir Level): cuanto menor es la velocidad de parpadeo mejor es la alineación; la regulación ideal se obtiene cuando el led L1 parpadea lentamente, máximo 3 parpadeos por segundo.
14. Repita la prueba colocando las tapas de protección superiores tanto en TX como en RX. Nótese de que en la tapa del RX hay un filtro atenuador que simula las condiciones climáticas adversas que podrían producirse durante el uso.
15. Desplace la hoja de la cancela a lo largo de toda su carrera y controle con el parpadeo del led L1 que la alineación siempre sea excelente.
16. Para controlar FT210, en la parte correspondiente al detector de presencia óptico (tipo D), y especialmente para que no haya interferencias con otros dispositivos, pase un cilindro de 50mm de diámetro por el eje óptico, primero cerca del TX, después cerca del RX y por último por el centro entre los dos puntos (véase la figura 22). Controle que el dispositivo siempre se accione pasando del estado activo al estado de alarma (led L1 encendido) y viceversa.



22

17. Para comprobar FT210 en la parte correspondiente al dispositivo sensible a la presión PSPE, presione y suelte la banda sensible tal como se muestra en la figura 23; compruebe que el led L4 se apague y que el led L3 se encienda y viceversa.

18. Si esta es la programación preferida, conecte el puente de conexión JP3 en el TX de manera que, después de algunos segundos después de la conclusión del movimiento, la transmisión se conmute a modo LENTO.

19. Si se ha efectuado la operación descrita en el punto anterior, controle que, transcurrido el tiempo previsto (véase JP2 en la tabla 1), el transmisor se conmute a modo LENTO. La transmisión en modo LENTO se reconoce porque el led L1 parpadea brevemente cuatro veces seguido de una pausa.

20. Enganche mecánicamente la hoja al motor y accione una maniobra de la cancela. Mientras tanto, controle que al comienzo de la maniobra, el led L2 se apague, indicando que el test del sensor, que detecta las vibraciones de la cancela en movimiento, haya concluido.

21. Accione varias maniobras de la cancela y controle que la apertura y el cierre se realicen correctamente y sin inversiones del movimiento.

22. Efectúe otras maniobras y, durante la maniobra de cierre, active el detector de presencia óptico, tal como indicado en el punto 15, y controle que provoque la acción prevista, por ejemplo, la inversión del movimiento.

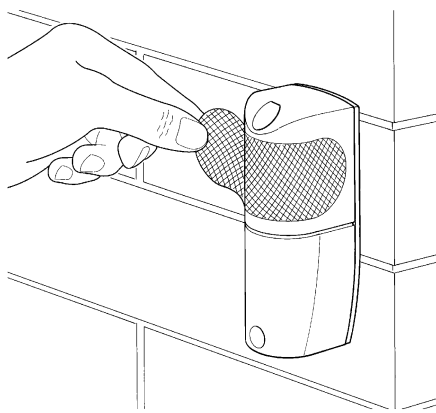
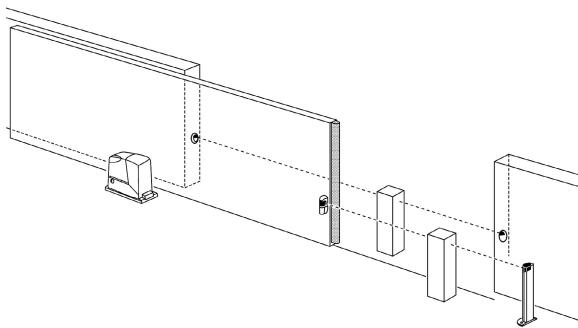
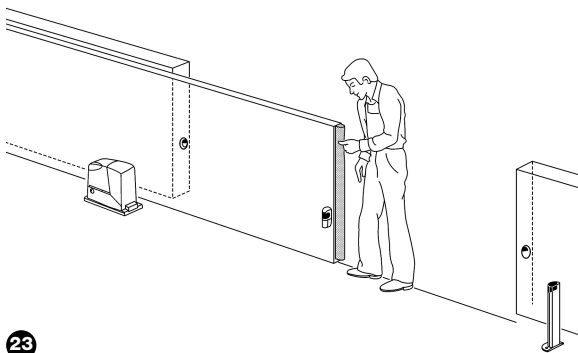
23. Efectúe otras maniobras y, durante la maniobra de cierre, active la banda sensible, tal como indicado en el punto 16, y controle que provoque la acción prevista, por ejemplo, la inversión del movimiento.

24. Según la norma EN 12445, el control de la parte correspondiente al detector de presencia óptico (tipo D) de FT210 debe hacerse con el paralelepípedo de ensayo de 700x300x200mm, con 3 lados de color negro mate y 3 lados de color blanco brillante o bien pulidos, tal como indicado en la figura 24 y según lo mencionado en el capítulo 7 de la norma EN 12445:2000 (o bien en el anexo A de prEN12445:2005).

25. Según la norma EN 12445, el control de la parte correspondiente al dispositivo sensible a la presión PSPE de FT210, si las situaciones peligrosas causadas por el movimiento de la hoja han sido prevenidas limitando la fuerza de impacto (tipo C), hay que medir la fuerza con el instrumento específico en los puntos previstos, según el capítulo 5 de la norma EN 12445.

26. Después de haber comprobado todos los puntos anteriores, quite el filtro atenuador del cristal del receptor RX, tal como indicado en la figura 25.

27. Al final del ensayo, recuerde cerrar todas las cajas de los dispositivos.



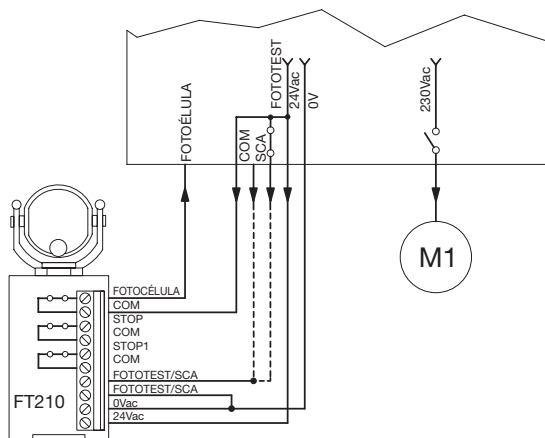
5) Otras informaciones

En este capítulo se tratan las posibilidades de personalización, diagnóstico y búsqueda de las averías sobre FT210.

5.1) Ejemplo de utilización de FT210 como detector de presencia

Es posible utilizar FT210 como un detector de presencia tipo D sin la conexión a la banda sensible. En la figura 26 se muestra un ejemplo de conexión con este tipo de utilización del fotodispositivo FT210. En este caso es necesario:

1. Efectuar las etapas de montaje, tal como indicado en el párrafo "Instalación".
2. Desconectar el puente de conexión "JP3" del transmisor de manera que la transmisión siempre sea en modo RÁPIDO.
3. Utilizar sólo la salida FOTOCÉLULA del receptor.
4. Conectar y utilizar el Fototest si la central gestiona esta función. En este caso, hay que activar el puente de conexión JP1 del receptor.
5. Si la central incorpora sólo la salida SCA, conéctela a la entrada Fototest del receptor. Hay que desactivar el puente de conexión JP1 del receptor.
6. Si en la central no hay ninguna salida que pueda utilizarse (Fototest o SCA), deje desconectada la entrada Fototest del receptor y desconecte el puente de conexión JP1 del receptor.



26

Nota: El modo de transmisión RÁPIDO reduce la duración de la batería del transmisor. En este caso, la duración de una batería tipo "C" (kit FTA1) puede estimarse de la siguiente manera:

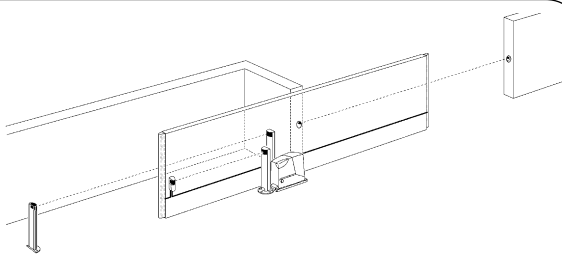
- alrededor de 24 meses para cancelas de hasta 7 m (puente de conexión JP1 del transmisor desconectado)
- alrededor de 18 meses para cancelas de hasta 15 m (puente de conexión JP1 del transmisor conectado)

5.2) Ejemplo de utilización de FT210 sólo como detector del estado de la banda sensible

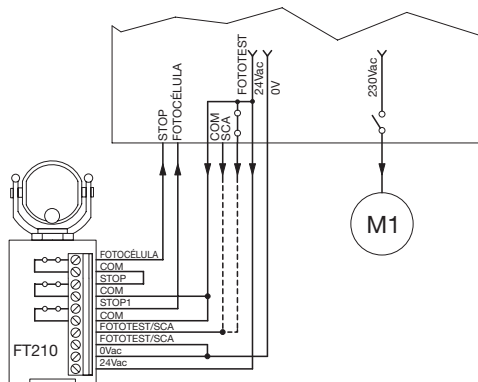
Si FT210 se utiliza únicamente como detector del estado de la banda sensible, sin la función de detector de presencia, se aconseja instalar el fotodispositivo tal como se muestra en la figura 27.

En este caso es necesario:

1. Efectuar las etapas de montaje, tal como indicado en el párrafo "Instalación".
2. Conectar el receptor de FT210 a la central, tal como se muestra en la figura 28, colocando en serie los contactos de FOTO y STOP.
3. Desactivar el puente de conexión JP2 del receptor.
4. Conectar y utilizar el Fototest si la central gestiona esta función. En este caso, hay que activar el puente de conexión JP1 del receptor y el puente de conexión JP3 del transmisor.
5. Si la central incorpora sólo la salida SCA, conéctela a la entrada Fototest del receptor. Hay que desactivar el puente de conexión JP1 del receptor y el puente de conexión JP3 del transmisor.
6. Si en la central no hay ninguna salida que pueda utilizarse (Fototest o SCA), no conecte nada a la entrada Fototest del receptor, desconecte el puente de conexión JP1 del receptor y el puente de conexión JP3 del transmisor.



27

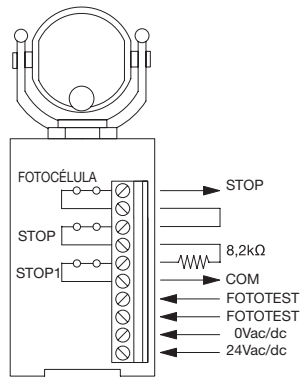


28

5.3) Ejemplo de conexión de FT210 a la central con entrada de STOP de resistencia constante 8,2kohm

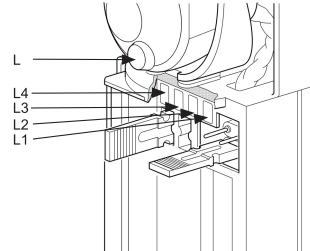
Si la central incorpora la entrada STOP de resistencia constante 8,2kohm, conecte en serie una resistencia de 8,2Kohm a los dos contactos FOTO y STOP del receptor, tal como se muestra en la figura 29.

29



5.4) Señalizaciones

El receptor FT210 tiene algunos leds de señalización (véase la figura 30) que suministran señales luminosas según el estado de funcionamiento.



30

Tabla 5: señalizaciones

Led L (rojo)	Causa	Acción
2 parpadeos cortos pausa 2 parpadeos cortos	Señalización batería agotada en el TX	Sustituya lo antes posible la batería en el transmisor con una del mismo modelo.
Led L1 (rojo)	Causa	Acción
Parpadeo regular	La frecuencia de parpadeo indica la calidad de la recepción: cuanto más lento es el parpadeo mejor es la recepción.	Todo correcto si el parpadeo es lento: al máximo 3 por segundo, en caso contrario, controle la alineación entre TX y RX.
Encendido	Ausencia de señal, el contacto "FOTOCÉLULA" permanece abierto	Quite el obstáculo o mejore la alineación entre TX y RX.
4 parpadeos cortos pausa 4 parpadeos cortos	El transmisor se encuentra en modo LENTO.	Todo correcto si la cancela está detenida
5 parpadeos cortos pausa 5 parpadeos cortos	El receptor capta una señal de rayo infrarrojo no reconocible que interfiere.	Un transmisor desconocido envía una señal hacia el receptor, trate de eliminar la interferencia; controle la alineación de todos los dispositivos montados.
7 parpadeos cortos pausa 7 parpadeos cortos	El receptor capta la señal de rayo infrarrojo de un segundo transmisor FT210	Elimine el segundo transmisor. Dos transmisores FT210 no pueden colocarse en la misma zona.
Led L2 (amarillo)	Causa	Acción
Encendido	Señala un error en el test al inicio de la maniobra y que el transmisor no está conmutado a modo RÁPIDO	Error en la conexión o programación de la entrada FOTOTEST. Es probable que el sensor de movimiento funcione mal.
Apagado	El test al inicio de la última maniobra ha sido regular.	Todo correcto
Led L3 (rojo)	Causa	Acción
Encendido (contacto STOP: abierto)	La banda sensible conectada al transmisor está activa.	Controle las causas de la activación de la banda.
Apagado (contacto STOP: cerrado)	La banda sensible conectada al transmisor no está activa.	Todo correcto
Led L4 (verde)	Causa	Acción
Encendido (contacto STOP: cerrado)	La banda sensible conectada al transmisor no está activa.	Todo correcto
Apagado (contacto STOP: abierto)	La banda sensible conectada al transmisor está activa.	Controle las causas de la activación de la banda.

5.5) Solución de los problemas

En la tabla 6 pueden consultarse indicaciones útiles para solucionar problemas de funcionamiento, que podrían producirse durante la instalación, o por una avería del sistema.

Tabla 6: búsqueda de las averías

Síntomas	Controles aconsejados
No es posible accionar la cancela; todos los leds del receptor de FT210 están apagados.	Controle que el receptor esté alimentado midiendo la tensión en los bornes 12/24V.
La cancela comienza a moverse, pero después de 1 segundo se detiene; el led 2 (amarillo) está encendido	El test, al comienzo de la maniobra, ha dado resultados negativos y es probable que haya un error en las conexiones o en la programación, o una avería en el sensor de movimiento de la cancela presente en el TX.
Durante la carrera, la cancela se detiene o invierte la maniobra; el led L1 (rojo) está encendido con luz fija	Controle que no haya obstáculos o que la alineación entre TX y RX, a lo largo de la carrera de la cancela, sea correcta.
Durante la carrera, la cancela se detiene o invierte la maniobra; el led L3 (rojo) está encendido y el led L4 (verde) está apagado.	Se ha accionado la banda sensible. Quite el obstáculo o controle que la banda funcione correctamente.
De vez en cuando, durante su carrera la cancela se detiene o invierte la maniobra; con la cancela abierta, el led L1 (rojo) parpadea rápidamente.	Controle la alineación entre TX y RX a lo largo de la carrera de la cancela.
Al encenderse el dispositivo, el receptor presenta el led L2 amarillo encendido y el led L1 rojo intermitente. Si se cubre el haz infrarrojo, el led L1 rojo se enciende con luz fija, pero no se siente que se active ningún relé.	El receptor está configurado en modalidad Fototest (JP1 activo), pero todavía no ha efectuado el test al comienzo del movimiento. Si se dispone de central con fototest, deje conectado el puente de conexión JP1 del receptor, controle las conexiones y realice una maniobra de la automatización. Si la central no incorpora la salida Fototest, es casi seguro que el puente de conexión JP1 esté mal conectado. Desconecte el puente de conexión y controle que el relé se active, cubriendo el haz infrarrojo.
De vez en cuando, durante su carrera la cancela se detiene o invierte la maniobra; ciertas veces se bloquea completamente y no es posible accionarla; el led L (rojo) realiza 2 parpadeos cortos.	La batería en el TX está agotada y en las condiciones más desfavorables no se produce la comunicación entre TX y RX. El led L (rojo) parpadea indicando que es necesario sustituirla.

6) Mantenimiento

El FT210 no requiere cuidados particulares, pero es necesario controlar cada 6 meses como mínimo el estado del fotodispositivo FT210 (presencia de humedad, oxidación, etc.), limpiar la cubierta externa y realizar el ensayo tal como descrito en el capítulo 4 "Ensayo". FT210 ha sido diseñado para funcionar en condiciones normales por lo menos durante 10 años, por lo que es oportuno intensificar la frecuencia de mantenimiento una vez superado dicho período.

7) Desguace

Al igual que para la instalación, también las operaciones de desguace, al final de la vida útil de este producto, deben ser efectuadas por personal cualificado. Este producto está formado de diversos tipos de materiales, algunos pueden reciclarse y otros deben ser eliminados. Infórmese sobre los sistemas de reciclaje o de eliminación del producto respetando las normas locales vigentes para este tipo de categoría de producto.

Atención: algunas partes del producto pueden contener sustancias contaminantes o peligrosas; si se abandonarán en el medio ambiente podrían ser perjudiciales para el ambiente y para la salud de las personas.

Como indicado por el símbolo de la figura 31, está prohibido arrojar este producto en los residuos domésticos. Para la eliminación, reali-

ce la recogida diferencial, según los métodos previstos por las reglas locales, o bien entregue el producto al vendedor cuando compre un nuevo producto equivalente. Las reglas locales pueden prever sanciones importantes en el caso de eliminación abusiva de este producto.

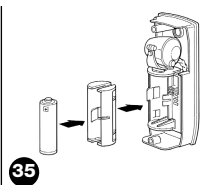
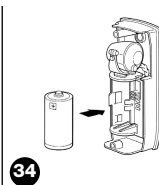
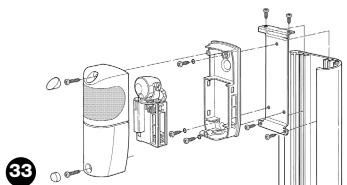
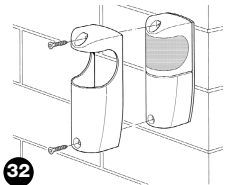


Atención: el producto funciona con baterías que podrían contener sustancias contaminantes y, por dicho motivo, no deben abandonarse en los residuos normales. Después de haberlas desmontado del producto (véase el párrafo "Sustitución de la batería" en el capítulo "Instrucciones y advertencias destinadas al usuario de FT210B") hay que eliminarlas según los métodos previstos, para las baterías, por las reglas locales.

8) Accesorios

Están disponibles los siguientes accesorios:

- FA1: caja metálica antivandalismo a montar como se muestra en la figura 32.
- FA2: estribo de fijación en columnas "MOCF" a montar como se muestra en la figura 33.
- FTA1: batería 3,6V; 7Ah tamaño C a montar como se muestra en la figura 34.
- FTA2: batería 3,6V; 2Ah tamaño AA a montar como se muestra en la figura 35.



9) Características técnicas

Nice S.p.a., a fin de mejorar sus productos, se reserva el derecho de modificar las características técnicas en cualquier momento y sin previo aviso, garantizando la funcionalidad y el uso previstos. Nota: todas las características técnicas se refieren a una temperatura de 20°C.

Características técnicas FT210	
Tipo	Dispositivo para la transmisión óptica del estado de una banda sensible de resistencia constante montado en partes móviles. Está formado de un transmisor de rayos infrarrojos (TX), alimentado por una batería, que se monta sobre la hoja móvil en la que se conecta la banda sensible, y de un receptor (RX), situado en la parte fija.
Tecnología adoptada	Transmisión por interpolación óptica directa TX-RX con rayo infrarrojo modulado y codificado.
Alimentación del receptor	12÷24Vac/dc; límites: 10÷35 Vcc; 11÷28Vac 50/60Hz; con transformador de aislamiento conforme a EN 61558.
Corriente absorbida del receptor	Alrededor de 120mA a 12Vcc; 70mA a 24Vac.
Tensión de la entrada "Fototest"	Mismos límites de "Alimentación del receptor".
Alimentación del transmisor	3,6V con baterías de litio tipo C o bien AA
Duración de la batería del transmisor	Estimada en alrededor de más de 15 años con batería tipo C, capacidad 7Ah; (uso "residencial": distancia TX-RX hasta 7 m; con 20 maniobras por día de 90 seg. de duración). Estimada en alrededor de más de 5,5 años con batería tipo C, capacidad 7Ah; (uso "industrial": distancia TX-RX hasta 15 m; con 200 maniobras por día de 90 seg. de duración). Estimada en alrededor de 6 años con batería tipo AA, capacidad 2Ah; (uso "residencial": distancia TX-RX hasta 7 m; con 20 maniobras por día de 90 seg. de duración).
Gama de la entrada del dispositivo Sensible (Rs)	Típico 8,2K Ω +22%/-65% para el estado activo (On) Límites estado activo (On): con Rs > 2.870 Ω y Rs < 10.010 Ω Límites estado desactivado (Off): con Rs < 2.590 Ω o Rs > 11.060 Ω
Capacidad de detección del detector de presencia tipo D	Objetos opacos situados en el eje óptico entre TX y RX con dimensiones mayores que 50 mm y velocidad menor que 1,6m/s.
Ángulo de transmisión TX	+/- 4° (valor detectado al 50% del alcance).
Ángulo de recepción RX	+/- 3° (valor detectado al 50% del alcance).
Orientación	alrededor de 210° en el eje horizontal y 30° en el eje vertical.
Alcance útil	7 m o 15 m (con JP1 en TX conectado) con desalineación TX-RX máxima \pm 2°. (el alcance podría disminuir aún más en el caso de fenómenos atmosféricos muy intensos: niebla, lluvia, nieve, polvo, etc.).
Alcance máximo (en condiciones ideales)	15 m o 30 m (con JP1 en TX conectado) con desalineación TX-RX máxima \pm 2°.
Tiempo de respuesta salida FOTOCÉLULA	<45ms (típico 31ms).
Tiempo de respuesta salida STOP	<30ms (típico 28ms).
Tiempo de respuesta salida STOP1	1,5s \pm 3%
Categoría de resistencia referida a las averías	3 ó 2 (según la norma EN 954-1), de acuerdo con el tipo de conexión de las salidas y entrada FOTOTEST
Capacidad de los contactos relé en salida	Máximo 0.5A y máximo 48Vac (carga resistiva: cos ϕ =1).
Duración de los contactos relé en salida	Vida mecánica > 1.000.000 ciclos; eléctrica > 200.000 ciclos (carga resistiva: 0,25A; 24Vcc).
Utilización en atmósfera ácida, salina o potencialmente explosiva	No.
Montaje	RX: vertical en pared o en columna "MOCF" con estribo de fijación "FA2". TX: directamente en la cancela con tornillos suministrados de serie.
Clase de protección caja	IP44.
Temperatura de funcionamiento	-20 ÷55°C.
Dimensiones	46 x 128 h 45mm.
Peso	Receptor: 135g. Transmisor 165g con FTA1, o bien 140g con FTA2.

Instrucciones y advertencias para al usuario de FT210

Estas instrucciones pueden integrar las "Instrucciones y advertencias para el uso de la automatización" que el instalador debe entregar al dueño de la automatización, pero que deben estar integradas por estas.

- **Mantenimiento:** para garantizar una larga vida útil y para un funcionamiento seguro, la instalación, al igual que cualquier otra maquinaria, requiere un mantenimiento periódico. Establezca con su instalador un plan de mantenimiento con frecuencia periódica. Nice aconseja realizar un mantenimiento cada 6 meses para un uso residencial normal, que puede variar según la intensidad de uso. Cualquier tipo de control, mantenimiento o reparación debe ser realizado sólo por personal cualificado.
- Aunque piense que lo sabe hacer, no modifique la instalación ni los parámetros de programación y regulación del automatismo: la responsabilidad es de su instalador.
- El ensayo, los trabajos de mantenimiento periódico y las posibles reparaciones deben ser documentados por quien los efectúa y los documentos tienen que ser conservados por el dueño de la instalación.
- Las únicas operaciones que pueden hacerse y que le aconsejamos efectuar periódicamente son la limpieza de los vidrios de las fotocélulas y la eliminación de hojas o piedras que podrían obstaculizar el automatismo. Para que nadie pueda accionar la cancela, antes de proceder recuerde desbloquear el automatismo y utilizar para la limpieza únicamente un paño ligeramente humedecido con agua.
- Desguace: al final de la vida útil del automatismo, el desguace debe ser realizado por personal cualificado y los materiales deben ser reciclados o eliminados según las normas locales vigentes.
- **Sustitución de la batería** del transmisor de FT210.
El transmisor, situado en la hoja móvil de la cancela, dispone de una batería de litio especial de 3,6V. La duración estimada es de varios años, depende de las condiciones de uso. El dispositivo dispone de una señal que se visualiza algunos meses antes de que la batería se agote completamente para que Ud. tenga el tiempo suficiente para sustituirla. La batería debe sustituirse si en el receptor, situado en la

parte fija (en la pared como en la figura A o en la columna como en la figura B), notara esta señal: **2 parpadeos cortos seguidos de una pausa de 1 segundo.**

La batería se encuentra en el **transmisor** situado en la hoja de la cancela; para su sustitución es necesario:

- 1) Quitar los tapones que cubren los tornillos, como se muestra en la figura C.
- 2) Desenroscar los tornillos que fijan la tapa y quitarlos como se muestra en la figura C.
- 3) Quitar la batería agotada haciendo palanca con un destornillador.
- 4) Esperar unos 10 segundos antes de montar la batería nueva.
- 5) Observar la polaridad: el polo positivo debe colocarse hacia arriba.
- 6) Montar la nueva batería como se muestra en las figuras D o E, según el modelo utilizado.
- 7) Fijar la tapa con los tornillos y colocar los tapones correspondientes.

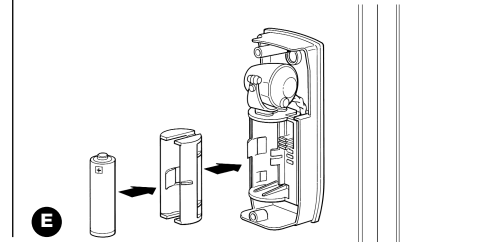
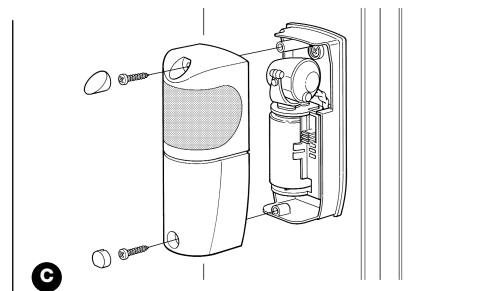
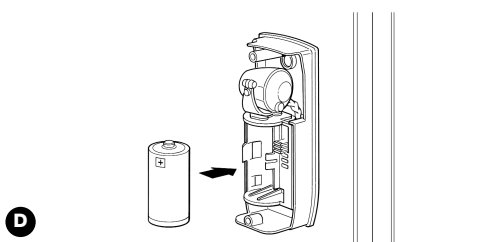
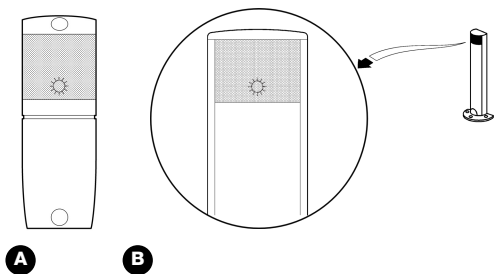
Hay disponibles 2 tipos de batería:

- FTA1: batería 3,6V; 7Ah tamaño C a montar como se muestra en la figura D.
- FTA2: batería 3,6V; 2Ah tamaño AA a montar como se muestra en la figura E.

Atención: las baterías utilizadas en este producto no son baterías alcalinas normales.

Solicite a Nice s.p.a. los kits de batería de recambio "FTA1" o "FTA2".

Atención: el producto funciona con baterías que podrían contener sustancias contaminantes y, por dicho motivo, no deben abandonarse en los residuos normales. Después de haberlas desmontado del producto (véase el párrafo "Sustitución de la batería" en el capítulo "Instrucciones y advertencias destinadas al usuario de FT210B") hay que eliminarlas según los métodos previstos, para las baterías, por las reglas locales.



1) Ostrzeżenia

Ta instrukcja zawiera ważne informacje dotyczące bezpieczeństwa podczas instalowania, należy się z nią zapoznać przed rozpoczęciem prac instalacyjnych. Niniejszą instrukcję należy przechowywać w celu ewentualnej, przyszłej konsultacji. Biorąc pod uwagę niebezpieczeństwa, jakie mogą wystąpić podczas instalowania i użytkowania FT210, dla zwiększenia bezpieczeństwa, instalacja musi odpowiadać przepisom, normom i uregulowaniom prawnym.

Według obowiązujących przepisów europejskich, wykonanie drzwi lub bramy automatycznej musi być zgodne z Dyrektywą 98/37/CE (Dyrektywa Maszynowa), a w szczególności musi odpowiadać normom: EN 13241-1 (norma zharmonizowana); EN 12445; EN 12453 i EN 12635, które pozwalają na wystawienie oświadczenia zgodności z dyrektywą maszyn.

Dodatkowe informacje, wytyczne do analiz zagro_e i Ksi__ka Techniczna, s_ dost_pne na: www.niceforyou.com. Niniejsza instrukcja przeznaczona jest jedynie dla personelu technicznego z odpowiednimi kwalifikacjami do instalowania. _adne informacje znajdu_ ce si_ w niniejszej instrukcji nie s_ skierowane do ko_cowego u_ytkownika!

- Użycie FT210 do innych celów niż przewidziano w niniejszej instrukcji jest zabronione; użycie niezgodne z przeznaczeniem może spowodować zagrożenie i wyrządzić szkody ludziom oraz uszkodzić inne obiekty.
- Nie wykonywać żadnych zmian i modyfikacji, jeśli nie są one przewidziane w niniejszej instrukcji; operacje tego rodzaju mogą jedynie spowodować niewłaściwe działanie; NICE nie bierze odpowiedzialności za szkody spowodowane przez zmodyfikowany produkt.
- FT210 może funkcjonować tylko przy bezpośrednim

kontakcie optycznym TX-FX; zabronione jest użytkowanie z wykorzystaniem lusterka.

- Dla podłączeń elektrycznych stosować odpowiednie przewody, jak to wskazano w rozdziale „Instalacja”.
- Upewnić się, czy zasilanie elektryczne oraz inne parametry użytkowe odpowiadają wartościom podanym w tabeli „Dane techniczne”.
- Upewnić się, czy zasilanie elektryczne oraz inne parametry użytkowe odpowiadają wartościom podanym w tabeli „Dane techniczne”.
 - EN 12453 Drzwi i bramy przemysłowe, handlowe i do garażu. Bezpieczeństwo użytkowania drzwi zautomatyzowanych – Wymagania.
 - EN 12978 - Drzwi i bramy przemysłowe, handlowe i do garażu. Urządzenia zabezpieczające do bram i drzwi zautomatyzowanych – Wymagania i sposoby wykonywania prób.

Instalacja i podłączenie FT210 w celu realizacji urządzenia zabezpieczającego bez spełnienia wymagań powyższych norm uważane jest za niedbałość i samowolne nadużycie!

Szczególną uwagę należy zwrócić na użytkowanie niniejszego produktu z punktu widzenia dyrektywy o “Zgodności elektromagnetycznej” 89/336/CEE wraz z późniejszymi zmianami 92/31/CEE oraz 93/68/CEE:

Niniejszy produkt został poddany badaniom w zakresie zgodności elektromagnetycznej w skrajnych sytuacjach użytkowania, w konfiguracjach przewidywanych w niniejszym podręczniku użytkownika oraz w połączeniu z artykułami znajdującymi się w katalogu produktów firmy Nice S.p.a. Zgodność elektromagnetyczna może nie być zagwarantowana, jeśli produkt użytkowany będzie w połączeniu z innymi wyrobami nieprzewidywanymi przez Nice; zabronione jest użytkowanie niniejszego produktu w takich sytuacjach póki osoba dokonująca instalacji nie upewni się co do zgodności z wymaganiami zawartymi w dyrektywie.

2) Opis produktu i przeznaczenie

FT210 jest to urządzenie, które służy do rozwiązania problemów z połączeniami elektrycznymi listew krawędziowych zamontowanych na ruchomych skrzydłach. Składa się z nadajnika działającego na podczerwień (TX), zasilanego pojemną baterią, instalowanego na skrzydle ruchomym, na którym montowana jest listwa krawędziowa, oraz z normalnie zasilanego (12÷24Vpp/ps) odbiornika (RX) zamontowanego na nieruchomej części bramy.

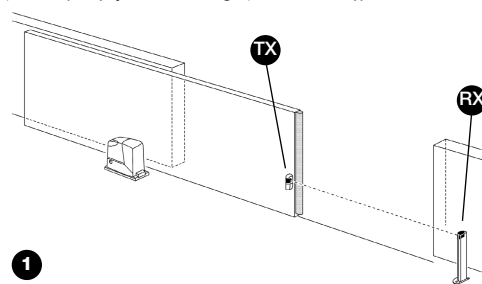
Listwa krawędziowa, o oporności 8,2kΩ jest pod stałą kontrolą nadajnika, a sygnał w momencie zadziałania listwy wysyłany jest do odbiornika. Odbiornik RX przetwarza odebrany sygnał i odpowiednio do stanu listwy krawędziowej, uaktywnia, lub nie, 2 przekaźniki wyjścia STOP i STOP1 (nawet FOTO, jeśli mostek JP2 odbiornika jest wyłożony). Patrz tabela 2). Połączenie pomiędzy TX i RX jest kodowane w systemie o wysokim poziomie bezpieczeństwa czyli, że całe urządzenie przynależy do 3 kategorii odporności na usterkę według normy EN 954-1, które może być stosowane w systemach PSPE zgodnie z normą EN 12978.

Urządzenie fotooptyczne FT210, poskładane zgodnie z instrukcjami i skompletowane z listwą krawędziową TCB65 posiada certyfikat producenta potwierdzający, że odpowiada następującym normom:

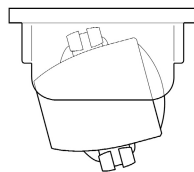
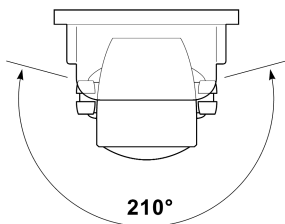
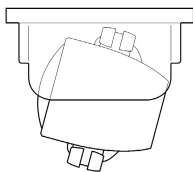
- Urządzenie fotooptyczne FT210, poskładane zgodnie z instrukcjami i skompletowane z listwą krawędziową TCB65 posiada certyfikat producenta potwierdzający, że odpowiada następującym normom:

- EN 1760-2 Bezpieczeństwo maszyn - Urządzenia zabezpieczające reagujące na nacisk - Główne podstawy do projektowania i wykonywania testów reagujących na nacisk.
- EN 12978 - Drzwi i bramy przemysłowe, handlowe i do garażu. Urządzenia zabezpieczające do bram i drzwi zautomatyzowanych - Wymagania i sposoby wykonywania prób.

Uwaga: FT210 nie jest kompletnym urządzeniem zabezpieczającym, jest tylko częścią składową takiego urządzenia! Jeżeli TX i RX zostaną ustawione taki sposób, że połączenie na linii optycznej przebiegało będzie poprzez chroniony obszar (patrz rys. 1), wówczas urządzenie może być wykorzystane również jako wykrywacz obecności (typ D według normy EN 12453); przedmiot, który przerywa wiązkę światła powoduje wyłączenie trzeciego przekaźnika wyjścia FOTO.



Fotokomórkę FT210 można zastosować również tam, gdzie powierzchnie do mocowania nie są zbyt równe i utrudniają ustawienie TX i RX w linii; można je obrócić o 210° w płaszczyźnie poziomej oraz o 30° w płaszczyźnie pionowej (patrz rysunku 2).



2

3) Instalowanie

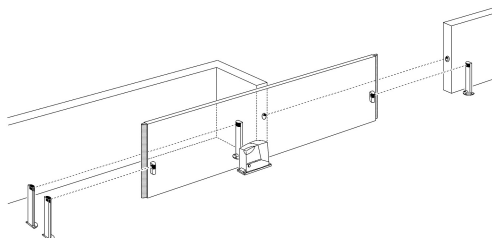
⚠ Wszystkie czynności wykonywać po odłączeniu centrali od zasilania i akumulatora awaryjnego (gdz jest używany).

3.1) Kontrola wstępna

Ze względu na szczególną specyfikę urządzenia przed jego zainstalowaniem należy przeanalizować niektóre aspekty związane z podstawowymi funkcjami w celu osiągnięcia maksymalnego poziomu bezpieczeństwa i funkcjonalności.

- Uważnie sprawdzić czy parametry użytkownika zgadzają się z danymi znajdującymi się w rozdziale "Dane techniczne". W przypadku niepewności nie używać produktu i zażądać wyjaśnień w Serwisie Technicznym firmy Nice.
- Nadajnik kontroluje w sposób systematyczny stan listwy krawędziowej i wysyła informacje do odbiornika. Aby zmniejszyć zużycie baterii i jednocześnie utrzymać wymagany poziom bezpieczeństwa operacja ta wykonywana jest z zastosowaniem 2 "prędkości": WOLNA kiedy brama nie porusza się; SZYBKA, kiedy brama porusza się. Nadajnik rozpoznaje stan bramy za pomocą specjalnego czujnika, który odczytuje wibracje poruszającej się bramy. Gdy tylko brama zaczyna się poruszać nadajnik przechodzi do sposobu SZYBKIEGO i pozostaje w tym trybie do momentu, kiedy brama zatrzyma się na 10 lub 90 sekund (patrz mostki JP2 JP3 w tabeli 1).
- W celu zagwarantowania wymaganego poziomu bezpieczeństwa odbiornik musi zawsze znać stan bramy, a szczególnie po to, aby sprawdzić, czy wybór sposobu WOLNEGO czy SZYBKIEGO przez nadajnik jest prawidłowy. Ta kontrola odbywa się poprzez wejście "FOTOTESTU" odbiornika (patrz przykład połączeń na rysunku 18 i 19). Zwykle w centralach sterujących przy każdym ruchu wykonywany jest Fototest; w ten sposób odbiornik FT210 o trzymuje informacje o tym, że za kilka sekund zacznie się ruch bramy.
- Jeżeli centrala sterująca nie posiada funkcji Fototestu, można również zastosować urządzenie FT210 podłączając jego wejście FOTOTESTU z wyjściem SCA (Lampka kontrolna otwartej bramy) w centrali; w tym przypadku wyjście SCA powinno znajdować się w trybie podstawowym (migająca lampka), który ma sygnalizować ruch bramy (patrz przykład połączeń na rysunku 20).
- Jeśli centrala sterująca nie posiada nawet wyjścia SCA, FT210 musi być zaprogramowana w trybie SZYBKIM na stałe poprzez rozłączenie mostka JP3 na TX (patrz tabela 1).

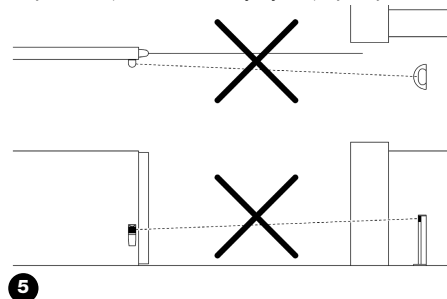
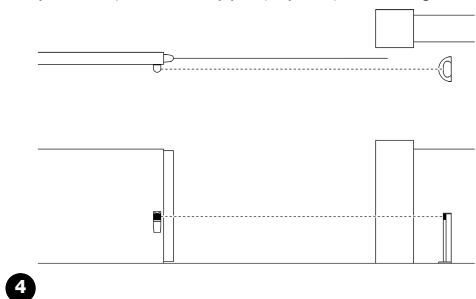
- W centralach, w których FOTOTEST jest wykonywany tylko na początku ruchu otwierania i w których istnieje funkcja zamykania automatycznego niezbędne jest ustawienie na 90 sekund w przełączeniu sposobu SZYBKIEGO na WOLNY przy zamknięciu bramy (patrz JP2 w tabeli 1). W tym sposobie TX pozostanie w sposobie SZYBKIM przez cały czas fazy otwierania bramy. Oczywiście, czas pauzy w centrali ma być krótszy od 90 sekund.
 - FT210 została opracowana tak, aby nie wywoływała zakłóceń z innymi fotokomórkami i na odwrót; oznacza to, że FT210 może być dostosowana również do innych fotokomórek. Zagwarantowane jest funkcjonowanie z więcej niż z jedną parą fotokomórek lub z fotokomórkami innych producentów. W każdym przypadku, aby sprawdzić czy nie ma oddziaływania na inne urządzenia, należy wykonać skrupulatną procedurę prób odbiorczych jaka jest opisana w rozdziale 4 i porównać ze specyficzną sygnalizacją opisaną w tabeli 5.
Można również zamontować dwa urządzenia FT210 na bramie; jedno do kontroli części przedniej i drugie do kontroli części tylnej tej ponieważ w takim przypadku oba TX wysyłają sygnały w przeciwnych kierunkach.
 - Nie można wykorzystać dwóch FT210 do kontroli tego samego obszaru; jeżeli odbiornik odczyta sygnał pochodzący z dwóch nadajników może przejść do stanu "alarmu" nie pozwalając na poruszenie się bramy. Patrz specyfikacja sygnalizacji w tabeli 5.
- Przykład prawidłowej instalacji przedstawiony jest na rysunku 3.



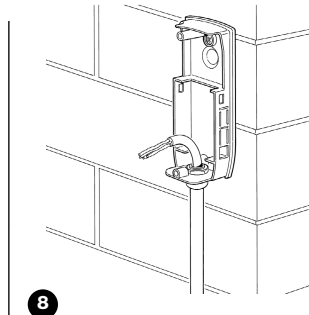
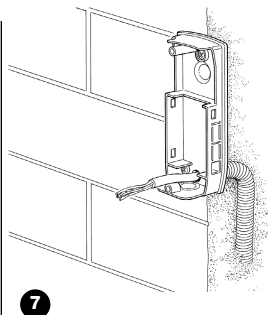
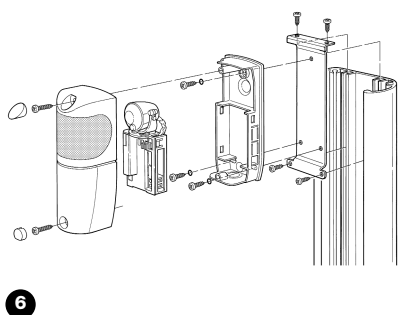
3

- Nadajnik TX z zestawu FT210 wysyła wiązkę rozbieżną pod kątem około $\pm 4^\circ$ więc niezbędne jest prawidłowe i trwałe ustawienie TX i RX na całej długości ruchu bramy.

Na rysunku 4 przedstawiony jest przykład prawidłowego montażu, a na rysunku 5 przedstawione są błędne przykłady montażu.



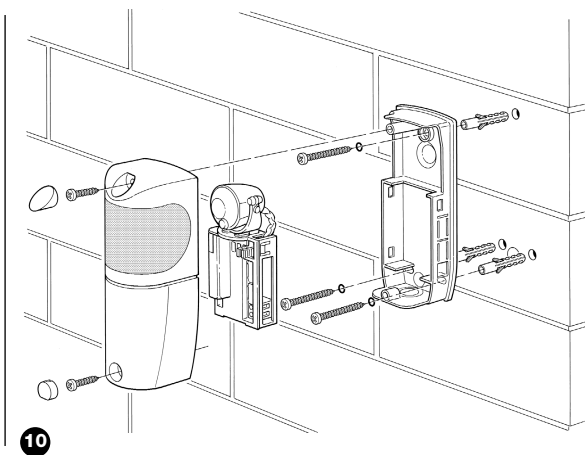
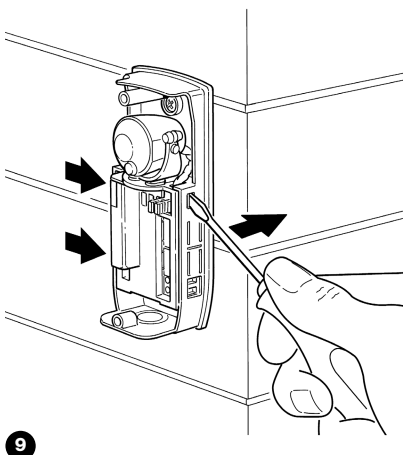
- W zależności od konieczności odbiornik może być zainstalowany na odpowiedniej kolumnie MOCF ze specjalnym wspornikiem FA2 (patrz rys 6) lub może być przymocowany do ściany; w tym przypadku przewód może wejść od tylnej ścianki (patrz rysunek 7) lub od dołu; w takim przypadku należy zastosować przelotkę typu "PG9" (patrz rysunek 8).



3.2) Mocowanie urządzeń

Wykonać instalację i mocowanie urządzeń według następującej kolejności:

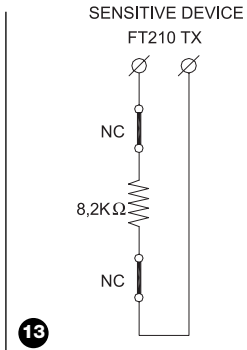
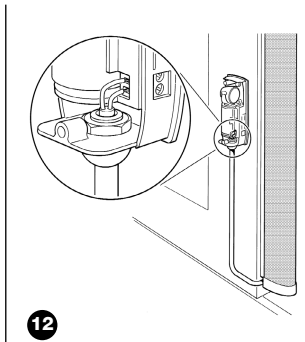
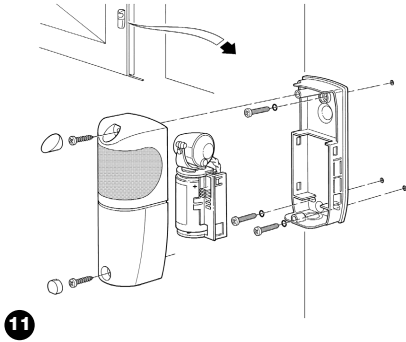
1. Aby ułatwić czynności mocowania można oddzielić płytkę elektroniczną od obudowy poprzez podważenie jej śrubokrętem w trzech punktach zaczepu tak, jak pokazano na rysunku 9.
2. Wykonać mocowanie odbiornika tak, jak wskazano na rysunku 10.



PL

3. Zamontować nadajnik na ruchomym skrzydle tak, jak wskazano na rysunku 11.

4. Podłączyć przewody elektryczne listwy krawędziowej o oporności $8,2K\Omega$, tak, jak wskazano na rysunku 12. Rezystor znajdujący się w zaciskach TX ma być usunięty i zastosowany jako końcówka listwy krawędziowej lub też nie, jeżeli listwa posiada swój rezystor końcowy.



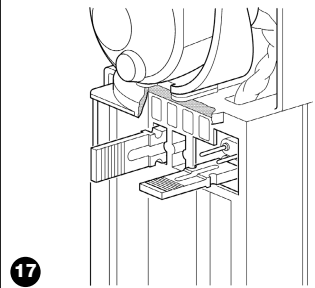
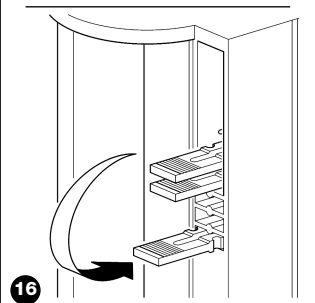
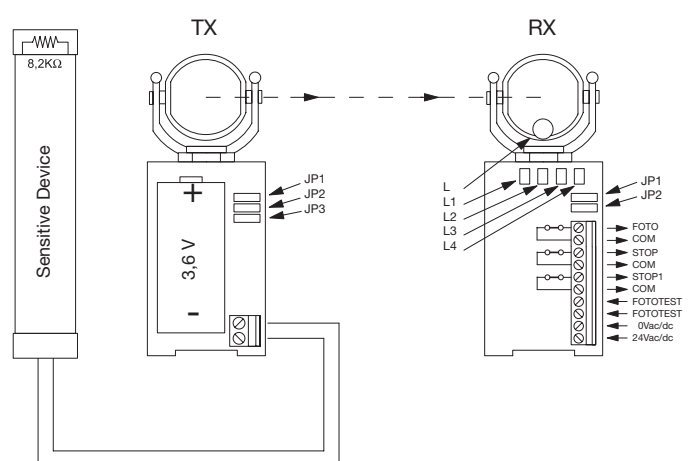
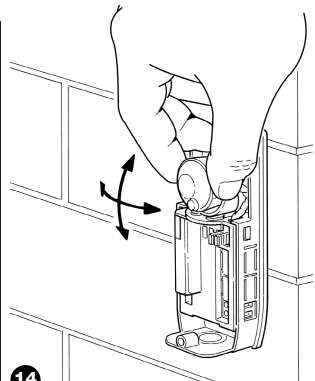
W przypadku, kiedy listwa krawędziowa posiada na wyjściu 2 pary styków NC dostępne oddzielnie, można wówczas podłączyć ją tak, jak przedstawiono na rysunku 13 ustawiając opór równy $8,2K\Omega$. W przypadku, kiedy listwa krawędziowa posiada na wyjściu 2 pary styków NC dostępne oddzielnie, można wówczas podłączyć ją tak, jak przedstawiono na rysunku 13 ustawiając opór równy.

Uwaga: Nie używać listew krawędziowych, które posiadają jako wyjście pojedynczy styk typu NC, bo wówczas nie posiadają żadnej kategorii odporności na usterkę, wymaganej przez normę.

5. Wykonać połączenia tak, jak przedstawiono w instrukcji centrali sterującej. Patrz również przykłady połączeń w rozdziale 3.3 "Połączenia elektryczne".

6. Ustawić soczewki tak, jak wskazano na rysunku 14 i tak, aby uzyskać jak najlepsze ustawienie w linii TX i RX. Prawidłowe ustawienie w linii będzie sprawdzane w rozdziale 4 "Próby odbiorcze".

7. Zaprogramować mostki znajdujące się w TX oraz w RX (patrz rysunek 15) odpowiednio dożądanego sposobu funkcjonowania według tabeli 1. Mając na uwadze przyszłe ewentualne użytkowanie należy ustawić nieużywane mostki według rys. 16 i 17.



15

17

Tabela 1: Mostki w nadajniku TX

Mostek	Pozycja	Opis
JP1	Założony	Moc nadajnika dostosowana do bram o długości do 15 metrów.
	Zdjęty	Moc nadajnika dostosowana do bram o długości maksymalnej do 7 metrów.
JP2	Założony	Przełącza na transmisję danych WOLNA po 10 sekundach po zakończeniu ruchu (patrz również JP3)
	Zdjęty	Przełącza na transmisję danych WOLNA po 90 sekundach po zakończeniu ruchu (patrz również JP3)
JP3	Założony	Po zakończeniu ruchu przełącza na transmisję danych WOLNA
	Zdjęty	Nigdy nie przełącza na transmisję WOLNA ale pozostaje zawsze w trybie SZYBKA.

Tabela 2: mostki na odbiorniku RX

Mostek	Mostek	Pozycja
JP1	Założony	Wejście Fototestu podłączone do wyjścia Fototestu centrali.
	Zdjęty	Wejście Fototestu podłączone do wyjścia SCA centrali; lub wejścia Fototestu odłączonego jeśli centrala nie posiada ani Fototestu ani wyjścia SCA (Uwaga: Możliwe jest tylko z JP3 na TX wyłączonym)
JP2	Założony	Przerwanie promienia podczewieni powoduje otwarcie styku FOTO Uaktywnienie listwy krawędziowej powoduje otwarcie styku STOP i po 1,5s styku STOP1
	Zdjęty	Przerwanie promienia podczewieni powoduje otwarcie styku FOTO Uaktywnienie listwy krawędziowej powoduje otwarcie styku FOTO i po 1,5s styku STOP i STOP1. Stosować w centralach, które nie posiadają funkcji zmiany kierunku ruchu po interwencji STOP.

3.3) Połączenia elektryczne

W tym rozdziale opisane są połączenia elektryczne i przedstawione są również niektóre schematy połączeń w zależności od typu centrali zastosowanej w automacie. W przypadku niepewności nie używać produktu i zażądać wyjaśnień w Serwisie Technicznym firmy Nice.

Tabela 3: Spis połączeń

Podłączenie	Rodzaj przewodu	Maksymalna długość	Opis
12÷24V Fototest	2x0,5mm ² 2x0,25mm ²	30m 30m	Zasilanie odbiornika; prądem stałym lub zmiennym Wejście dla testu rozpoczęcia ruchu; może być podłączone do prądu stałego lub zmiennego.
Styki wyjść	2x0,25mm ²	30m	Styki przekaźników wyjścia; zwykle zamknięte (NC) kiedy odbiornik jest zasilany i jest w stanie aktywnym (patrz tabela 4)

Tabela 4: Opis wyjść RX

Wyjście	Styk przekaźnika	Opis
FOTO	Zamknięty	Nie ma przeszkód i odbiór danych z TX jest prawidłowy.
	Otwarty	Są przeszkody i odbiór danych z TX nie jest prawidłowy.
Wyjście FOTO (fotokomórka) ma być podłączone do wejścia centrali, które powoduje zmianę kierunku ruchu, zwykle przeznaczonego dla czujnika obecności typu D.		
STOP	Zamknięty	Listwa krawędziowa podłączona do TX nie jest naciśnięta.
	Otwarty	Listwa krawędziowa podłączona do TX jest pod naciskiem.
Wyjście STOP ma być podłączone do wejścia centrali, które powoduje zatrzymanie i ewentualnie zmianę kierunku ruchu, zwykle przeznaczonego dla urządzeń zabezpieczających reagujących na nacisk PSPE.		
STOP1	Zamknięty	Listwa krawędziowa podłączona do TX nie jest naciśnięta.
	Otwarty	Po 1,5 sekundy jeżeli listwa podłączona do TX jest naciśnięta.

Wyjście STOP1 ma być podłączone do wejścia centrali, które powoduje zatrzymanie i ewentualnie zmianę kierunku ruchu, zwykle przeznaczonego dla urządzeń zabezpieczających reagujących na nacisk PSPE
W przypadku braku drugiego wejścia w centrali można:

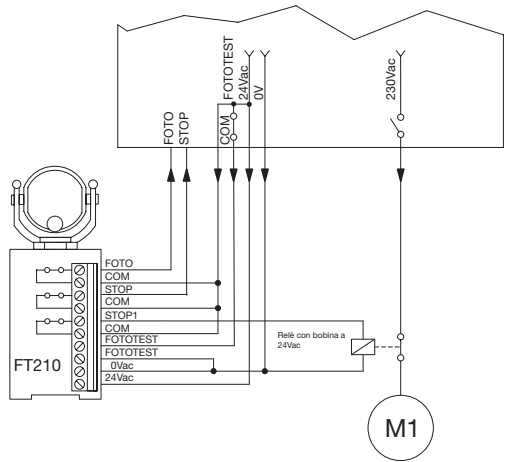
- Wykorzystać wyjście STOP1 do sterowania przekaźnikiem o właściwej mocy tak, aby odciął zasilanie bezpośrednio w silniku (patrz rysunek 18).
- nie wykorzystywać wyjścia STOP1 i wyłączyć JP2 w RX, tym sposobem uaktywnienie listwy krawędziowej powoduje otwarcie styku FOTO gwarantując również w tym przypadku 3 kategorię odporności na usterkę.

3.3.1) Przykład podstawowych połączeń

Na rysunku 18 pokazany jest przykład podłączenia FT210 do typowej centrali z wejściami FOTO i STOP, posiadającej wyjście dla Fototestu. W tej konfiguracji ustawić mostki odbiornika RX w następujący sposób:

- JP1 **założony**
- JP2 **włączony**, jeśli uaktywnienie wejścia STOP centrali powoduje zatrzymanie lub cofnięcie ruchu (w tym przypadku przekaźnik podłączony do STOP1 na rysunku 18 może zostać usunięty, a kontakt STOP1 ma być ustawiony szeregowo z FOTO o podłączony do wejścia FOTO centrali tak, jak przedstawiono na rys. 19 i 20).
- **wyłączony**, jeśli uaktywnienie wejścia STOP centrali powoduje zatrzymanie ruchu

18

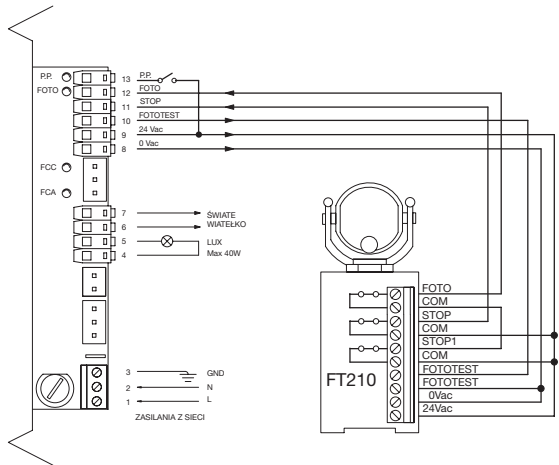


3.3.2) Przykład połączenia do centrali z funkcją "Fototestu"

Na rysunku 19 przedstawiony jest przykład podłączenia FT210 do centrali siłownika ROBO - model "RO300" z zastosowaniem funkcji Fototestu. W tej konfiguracji ustawić mostki odbiornika RX w następujący sposób:

- JP1 **założony**
- JP2 **założony** (centrala z cofnięciem ruchu po uaktywnieniu wejścia STOP)

19



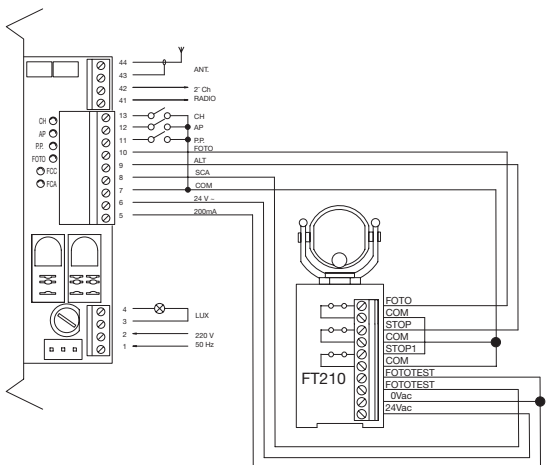
3.3.3) Przykład połączeń z centralą posiadającą wyjście SCA

Na rysunku 20 przedstawiono przykład podłączenia FT210 do centrali siłownika ROBO - model RO1000 z zastosowaniem wyjścia SCA.

W tej konfiguracji ustawić mostki odbiornika RX w następujący sposób:

- JP1 **założony**
- JP2 **włączony** (centrala z cofnięciem ruchu po uaktywnieniu wejścia STOP)

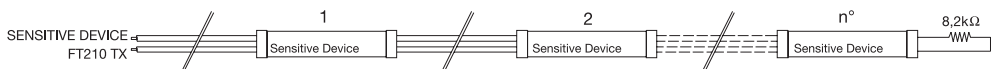
20



3.3.4) Podłączenie 2 lub więcej listew krawędziowych

Nadajnik urządzenia FT210 posiada tylko jedno wejście dla listwy krawędziowej, ale zaakceptuje dwa lub więcej urządzeń ochronnych, które spełniają tą samą funkcję, muszą one być podłączone w kaskadzie jeden za drugim tak, jak przedstawiono na rysunku 21 z jednym tylko opornikiem 8,2kΩ na końcu.

Uwaga: Urządzenia ze stałym oporem mają być podłączone w kaskadzie ale nigdy szeregowo lub równolegle pomiędzy sobą!



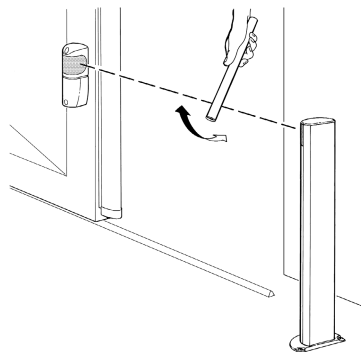
21

4) Próby odbiorcze

Każda pojedyncza część składowa automatyki wymaga specyficznej próby odbiorczej. Do wykonania prób odbiorczych "FT210" należy wykonać następujące czynności: W przypadku 2 par urządzeń, jednego w części przedniej skrzydła a drugiego w części tylnej skrzydła (patrz rysunek 3), sekwencja ma być powtórzona dla każdego urządzenia oddzielnie.

Uwaga: W niektórych punktach wymagane są próby przy bramie w ruchu; jako że automatyka w tej fazie MOŻE nie być dostatecznie PEWNA należy zwrócić szczególną uwagę przy wykonywaniu tych prób.

1. Sprawdzić czy były rygorystycznie przestrzegane zalecenia zawarte w niniejszym podręczniku, a w szczególności w rozdziale 1 "Ostrzeżenia" i 3 "Instalacja"
2. Wysprzęglić i otworzyć całkowicie skrzydło bramy tak, aby ustawić TX jak najdalej od RX.
3. sprawdzić obecność przeszkód pomiędzy TX i RX.
4. Odłączyć zasilanie odbiornika i wyjąć baterię nadajnika.
5. Odłączyć urządzenie ochronne od zacisków TX i omierzem zmierzyć wartość oporu urządzenia, po czym sprawdzić czy wartość zawiera się pomiędzy 7700Ω a 8700Ω (nominalne 8200Ω).
6. Przycisnąć, aby uaktywnić, listwę krawędziową i zmierzyć ponownie wartość oporu; sprawdzić czy wartość jest mniejsza od 1000 16500Ω.
7. Ponownie podłączyć listwę do styków TX.
8. Podłączyć zasilanie do odbiornika i sprawdzić czy dioda L1 (Ir Level), L2 (Fototest Ko) i L3 (Sensitive Device Ko) świecą się; sprawdzić czy dioda L4 (Sensitive Device Ok.) zgasła (patrz rysunek 30).
9. Usunąć mostek JP3 w TX w taki sposób, aby wciąż transmitował dane w sposobie SZYBKIM.
10. Jeśli odległość pomiędzy TX i RX jest większa od 7m sprawdzić czy mostek JP1 w TX jest założony (czyli zaprogramowany na odległość do 15m).
11. W TX założyć baterię FTA1 lub FTA2 (patrz rysunki 33 lub 34).
12. W odbiorniku urządzenia RX sprawdzić, czy dioda L1 (Ir Level) miga; czy diody L2 (Fototest Ko) i L4 (Sensitive Device Ok) świecą się i czy dioda L3 (Sensitive Device Ko) jest zgaszona.
13. Jeśli jest to konieczne, należy wyregulować ustawienie liniowe soczewki w TX i w RX, tak, jak wskazano na rysunku 14. Kierować się sygnalizacją diody L1 (Ir Level); im mniejsza jest prędkość migania to lepsze jest ustawienie liniowe. Optymalne wyregulowanie jest wówczas, kiedy dioda L1 błyska powoli czyli maksymalnie 3 mignięcia na sekundę.
14. Powtórzyc próbę umieszczając zabezpieczenia górne na TX i na RX. Należy zauważyć, że na zabezpieczeniu RX znajduje się filtr tłumiący, który symuluje warunki klimatyczne, jakie można napotkać podczas użytkowania.
15. Przesunąć skrzydło bramy przez całą długość i sprawdzić czy miganie diody L1 jak i ustawienie liniowe są cały czas optymalne.
16. W celu dokonania oceny funkcjonowania FT210 w części związanej z odczytem optycznym przeszkody (typu D), a zwłaszcza potwierdzenia braku zakłóceń od innych urządzeń, przesunąć walec o średnicy 50mm w poprzek osi optycznej, najpierw w pobliżu TX, następnie w pobliżu RX a potem w połowie odległości między nimi (patrz rysunek 22) i sprawdzić, czy we wszystkich tych przypadkach urządzenie zadziała przechodząc ze stanu aktywnego do stanu alarmu (dioda L1 świeci się) i odwrotnie.



22

17. Aby sprawdzić FT210 w części związanej z urządzeniem reagującym na nacisk PSPE, nacisnąć i zwolnić listwę krawędziową tak, jak pokazano na rysunku 23 i sprawdzić czy dioda L4 zgaśnie, a dioda L3 zaświeci się i na odwrót.

18. Jeśli ten sposób programowania jest preferowany założyć mostek JP3 w TX w taki sposób, aby po kilku sekundach po zakończeniu ruchu transmisja przeszła na sposób WOLNY.

19. W przypadku gdy czynność opisana w poprzednim punkcie została wykonana należy sprawdzić czy po określonym czasie (patrz JP2 w tabeli 1) nadajnik przejdzie na tryb WOLNY. Transmisję w trybie WOLNYM można rozpoznać obserwując diodę L1, która mignie krótko cztery razy, następnie będzie przeważa i następnie będzie powtarzała ten sam cykl mignięć.

20. Zaspręglić bramę z silnikiem i włączyć siłownik. Sprawdzić czy na początku ruchu dioda L2 zgaśnie wskazując, że test czujnika, który odczytuje wibracje bramy w ruchu, zakończył się pomyślnie.

21. Wykonać bramą kilka manewrów i sprawdzić czy otwieranie i zamykanie odbywa się prawidłowo i bez samoczynnej zmiany kierunku ruchu.

22. Wykonać kolejne próby ruchu i podczas fazy zamykania dokonać kontroli czujnika optycznego według wskazówek w punkcie 15 i sprawdzić czy spowoduje to właściwe zachowanie bramy, czyli na przykład zmianę kierunku ruchu.

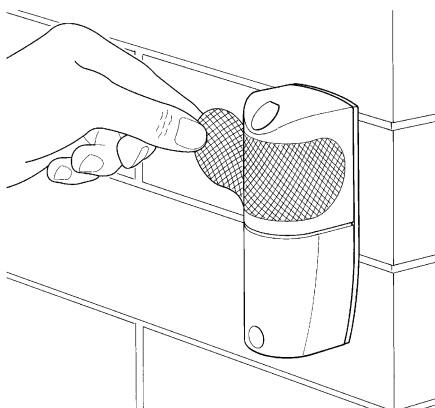
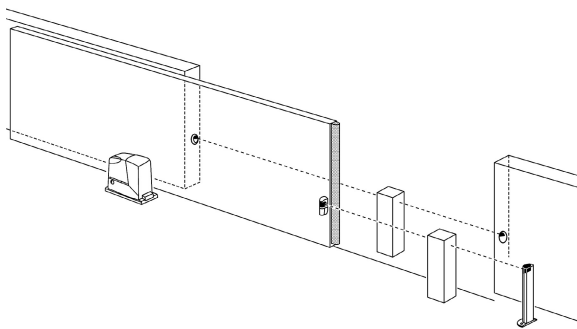
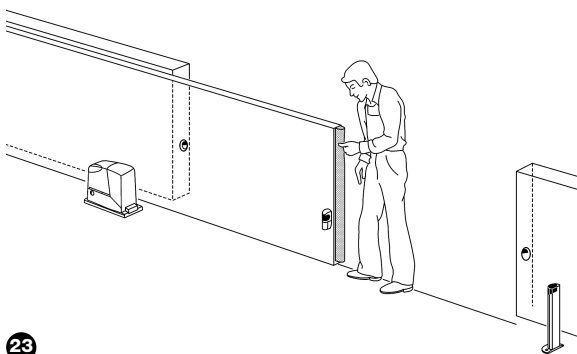
23. W czasie dalszych prób, podczas fazy zamykania nacisnąć na listwę krawędziową tak, jak wskazano w punkcie 16 i sprawdzić czy spowoduje to właściwe zachowanie bramy, czyli na przykład zmianę kierunku ruchu.

24. Kontrola zgodnie z normą EN 12445 dla FT210 w części związanej z czujnikiem optycznym (typu D), ma być wykonana poprzez zastosowanie równoległościaru próbnego 700x300x200mm mającego 3 boki z jasną i odbijającą powierzchnią oraz 3 boki z ciemną i matową powierzchnią, jak przedstawiono na rysunku 24 i według wymagań znajdujących się w rozdziale 7 wg. normy EN 12445:2000 (lub załącznika A w prEN12445:2005).

25. Kontrola zgodnie z normą EN 12445 dla FT210 w części związanej z urządzeniem reagującym na nacisk PSPE; jeżeli niebezpieczne sytuacje wywołane ruchem bramy zostały zlikwidowane poprzez zmniejszenie siły uderzenia (typu C), należy wykonać pomiar siły właściwym przyrządem i we właściwych punktach według tego co przewidziano w normie EN 12445.

26. Po sprawdzeniu wszystkich poprzednich punktów, usunąć filtr tłumikowy z szybki odbiornika RX tak, jak wskazano na rysunku 25.

27. Po zakończeniu prób odbiorczych należy pamiętać o zamknięciu wszystkich obudów poszczególnych urządzeń.



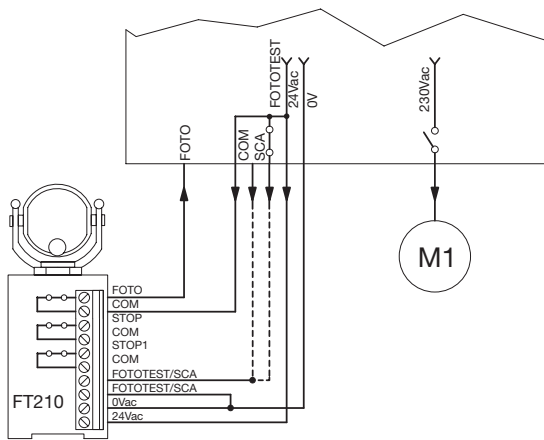
5) Rozszerzenie wiadomości

W tym rozdziale będą przedstawione możliwości personalizacji diagnostyki i poszukiwania anomalii w FT210.

5.1) Przykład wykorzystania FT210 jako wykrywacza obecności

FT210 można zastosować jako prosty wykrywacz obecności typu D bez podłączenia listwy krawędziowej. Na rysunku 26 przedstawiono przykład połączenia do tego typu zastosowania urządzenia optycznego FT210. W tym przypadku należy:

1. Wykonać fazy montażu przedstawione w paragrafie "Instalowanie".
2. Odłączyć mostek "JP3" nadajnika w taki sposób, aby transmisja odbywała się w sposób SZYBK1.
3. Zastosować tylko wyjście odbiornika - FOTO.
4. Podłączyć i wykorzystać Fototest, jeśli centrala zarządza taką funkcją. W tym przypadku mostek JP1 odbiornika ma być włączony.
5. Jeśli centrala posiada tylko wyjście SCA, należy ją podłączyć do wejścia Fototest odbiornika. Mostek JP1 odbiornika ma być rozłączony.
6. Jeśli na centrali nie ma żadnego wolnego wyjścia (Fototest lub SCA), pozostawić wejście Fototest odbiornika odłączone i rozłączyć mostek JP1 odbiornika.



26

Uwaga: Sposób transmisji SZYBK1 zmniejsza trwałość baterii nadajnika. W takim przypadku trwałość baterii typu "C" (zestaw FTA1) jest szacowana następująco:

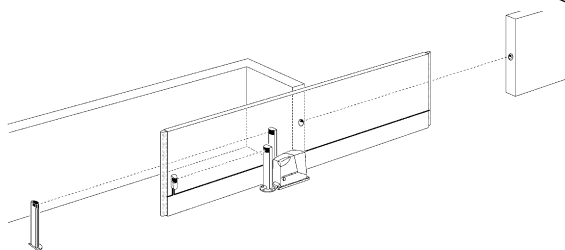
- około 24 miesięcy dla bram o dł. maksymalnie do 7m (mostek JP1 odbiornika zdjęty)
- około 18 miesięcy dla bram o dł. maksymalnie do 15m (mostek JP1 odbiornika założony)

5.2) Przykład użytkowania FT210 jako tylko odbiornika stanu listwy krawędziowej

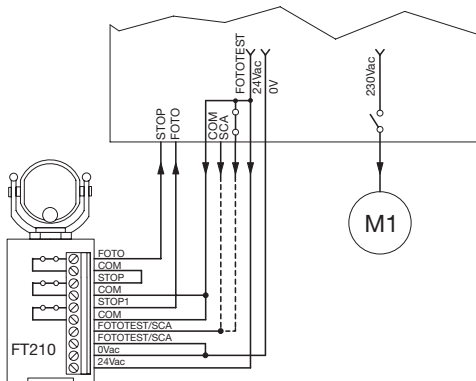
Gdy przypadku FT210 został zastosowany odbiornik stanu listwy krawędziowej, bez funkcji odczytu obecności, zaleca się zainstalowania urządzenia optycznego tak, jak przedstawiono na rysunku 27.

W tym przypadku należy:

1. Wykonać fazy montażu przedstawionej w paragrafie "Instalowanie".
2. Podłączyć odbiornik FT210 do centrali tak, jak przedstawiono na rysunku 28, tworząc wiele styków FOTO i STOP.
3. Stworzyć mostek JP2 odbiornika.
4. Podłączyć i wykorzystać Fototest jeśli centrala zarządza taką funkcją. W tym przypadku mostek JP1 odbiornika i mostek JP3 nadajnika mają być rozłączone.
5. Jeśli centrala posiada tylko wyjście SCA, należy ją podłączyć do wejścia Fototest odbiornika. Mostek JP1 odbiornika ma być rozłączony, a mostek JP3 nadajnika ma być stworzony.
6. Jeśli na centrali nie ma żadnego wolnego wyjścia (Fototest lub SCA), pozostawić wejście Fototest odbiornika odłączone, rozłączyć mostek JP1 odbiornika i mostek JP3 nadajnika.



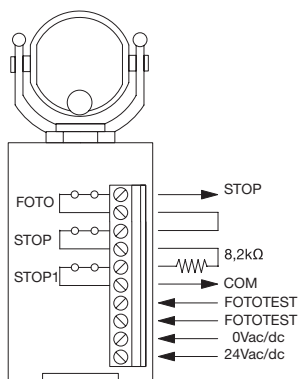
27



28

5.3) Przykład połączenia FT210 do centrali z wejściem STOP ze stałymoporem 8,2kohm

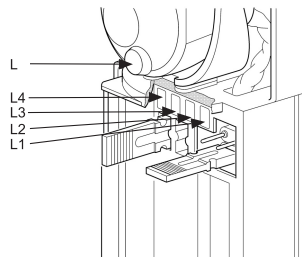
W przypadku gdy centrala posiada wejście STOP na opór równy 8,2kohm, ustawić szeregowo dwa styki FOTO i STOP odbiornika opór 8,2kohm tak, jak wskazano na rysunku 29.



29

5.4) Sygnalizacja

Odbiornik FT210 posiada kilka diod sygnalizacyjnych (patrz rysunek 30), które sygnalizują różne stany funkcjonowania.



30

Tabela 5: sygnalizacja

Dioda L (czerwona)	Przyczyna	Działanie
2 krótkie mignięcia przerwa 2 krótkie mignięcia	Sygnalizacja rozładowanej baterii w TX	Jak najszybciej wymienić baterię w nadajniku na identyczną
Dioda L1 (czerwona)	Przyczyna	Działanie
Miganie regularne	Częstotliwość migania wskazuje na jakość odbioru: im wolniejsze miganie tym lepszy odbiór.	Wszystko Ok jeśli miganie jest wolne: maksymalnie 3 mignięcia na sekundę, w przeciwnym wypadku należy sprawdzić ustawienie liniowe TX i RX
Świeci się	Brak sygnału, styk "FOTO" pozostaje otwarty	Usunąć przeszkodę lub poprawić ustawienie liniowe pomiędzy TX i RX
4 krótkie mignięcia przerwa 4 krótkie mignięcia	Nadajnik w trybie WOLNYM	Wszystko OK jeżeli brama nie rusza się
5 krótkich mignięć przerwa 5 krótkich mignięć	Odbiornik odbiera sygnał podczerwieni, który zakłóca odbiór i którego nie rozpoznaje	Obcy nadajnik wysyła sygnał w kierunku odbiornika, należy usunąć zakłócenie; sprawdzić ustawienie liniowe wszystkich urządzeń
7 krótkich mignięć przerwa 7 krótkich mignięć	Odbiornik odbiera sygnał podczerwieni pochodzący z drugiego nadajnika FT210.	Usunąć drugi nadajnik. Dwa nadajniki FT210 nie mogą być ustawione na tym samym obszarze.
Dioda L2 (żółta)	Przyczyna	Działanie
Włączona	Sygnalizuje błąd testu początku ruchu i nadajnik nie przechodzi na sposób SZYBK	Błąd w połączeniu lub programowaniu wejścia FOTOTESTu. Prawdopodobnie wadliwe funkcjonowanie czujnika ruchu
Wylączona	Test początku ruchu zakończył się pozytywnie.	Wszystko OK
Dioda L3 (czerwona)	Przyczyna	Działanie
Włączona (Styk STOP: otwarty)	Listwa krawędziowa podłączona do nadajnika jest uaktywniona	Sprawdzić powód uaktywnienia listwy
Wylączona (styk STOP: zamknięty)	Listwa krawędziowa podłączona do nadajnika nie jest uaktywniona	Wszystko OK
Dioda L4 (zielona)	Przyczyna	Działanie
Włączona (styk STOP: zamknięty)	Listwa krawędziowa podłączona do nadajnika nie jest uaktywniona	Wszystko OK
Wylączona (styk STOP: otwarty)	Listwa krawędziowa podłączona do nadajnika jest uaktywniona	Sprawdzić powód uaktywnienia listwy

5.5) Rozwiązywanie problemów

W tabeli 6 można znaleźć użyteczne wskazówki związane z ewentualnym wadliwym funkcjonowaniem, które można zastosować podczas instalowania lub w przypadku awarii..

Tabela 6: rozpoznawanie- usterek

Objawy	Zalecana kontrola
Nie można sterować bramą; wszystkie diody odbiornika FT210 są zgaszone.	Sprawdzić czy odbiornik jest zasilany poprzez zmierzenie napięcia w stykach: 12/24V.
Brama zaczyna ruch ale po 1 sekundzie zatrzymuje się; dioda 2 (żółta) świeci się	Test początku ruchu nie powiódł się, możliwy błąd w połączeniu lub programowaniu, lub usterka czujnika ruchu bramy znajdująca się w TX.
Podczas ruchu brama zatrzymuje się i zmienia kierunek ruchu; dioda L1 (czerwona) świeci się w sposób ciągły	Sprawdzić obecność przeszkód lub ustawienie liniowe TX i RX wzdłuż całej drogi bramy
Podczas ruchu brama zatrzymuje się i zmienia kierunek ruchu; dioda L3 (czerwona) świeci się a dioda L4 (zielona) jest zgaszona.	Zainterweniowała listwa krawędziowa. Usunąć przeszkodę lub sprawdzić funkcjonowanie listwy krawędziowej
Co jakiś czas brama zatrzymuje się i zmienia kierunek ruchu; brama jest otwarta i dioda L1 (czerwona) szybko miga	Sprawdzić ustawienie liniowe pomiędzy TX i RX wzdłuż całej drogi bramy
Podczas uruchomienia urządzenia dioda L2 świeci się żółtym światłem, a dioda L1 czerwonym przerywnym. Jeśli pasmo podczerwieni zostanie przerwane wówczas czerwona dioda L1 będzie świeciła się światłem stałym i nie uaktywni się żaden przekaźnik.	Odbiornik jest ustawiony w modalności Fototest (JP1 włączony) ale jeszcze nie wykonał testu uruchamiającego. Jeśli posiada się centralę z fototestem, pozostawić mostek JP1 odbiornika złączony , sprawdzić połączenia i uruchomić na jeden raz automatykę. Jeśli centrala nie posiada wyjścia Fototestu to na pewno mostek JP1 został błędnie załączony. Rozłączyć mostek i sprawdzić, czy przekaźnik uaktywniła się przerywając pasmo podczerwieni.
Co jakiś czas podczas ruchu brama zatrzymuje się i zmienia kierunek ruchu; czasami brama całkowicie blokuje się; dioda L (czerwona) wciąż wydaje 2 krótkie mignięcia	Bateria w TX jest rozładowana i połączenie pomiędzy TX i RX nie może się zrealizować. Miganie diody L (czerwona) wskazuje, że należy wymienić baterię.

6) Konserwacja

Urządzenie FT210 nie wymaga specyficznych czynności konserwacyjnych ale co 6 miesięcy należy sprawdzić stan urządzenia (zawilgocecie, ślady utleniania, itp.), należy wyczyścić obudowę zewnętrzną i soczewki według instrukcji opisanych w rozdziale 4 "Próby odbiorcze". FT210 została opracowana do pracy w warunkach normalnych przez co najmniej 10 lat, należy więc po tym okresie częścię dokonywać konserwacji urządzenia.

7) Utylizacja:

Tak, jak w przypadku instalowania, tak po upływie okresu użytkowania tego produktu czynności demontażu powinny być wykonywane przez wykwalifikowany personel.

Wyrób ten składa się z różnego rodzaju materiałów, niektóre z nich mogą być odzyskane, inne muszą zostać utylizowane, należy zasięgnąć informacji na temat systemów recyklingu lub utylizacji przewidzianych dla tego rodzaju produktu przez lokalne przepisy.

Uwaga: niektóre części wyrobu mogą zawierać substancje zanieczyszczające lub stwarzające zagrożenie, jeśli trafią one do środowiska, mogą wywołać skutki szkodliwe dla niego i dla zdrowia ludzkiego.

Jak wskazuje symbol z rys. 31 zabrania się wyrzucać ten produkt wraz z odpadkami domowymi. Należy przeprowadzić "zbiórkę

selektywną" na potrzeby utylizacji zgodnie ze sposobami przewidzianymi w miejscowych przepisach lub zwrócić produkt do sprzedawcy z chwilą zakupu nowego, równoważnego wyrobu. Miejscowe przepisy mogą przewidywać ciężkie sankcje w przypadku samowolnej utylizacji tego wyrobu



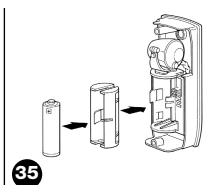
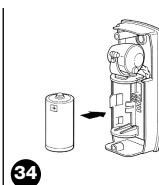
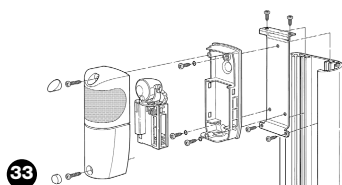
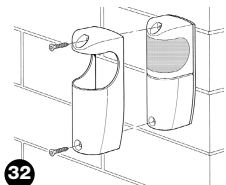
Uwaga: produkt działa na baterie, które mogą zawierać substancje zanieczyszczające środowisko, nie wyrzucać tego produktu do pojemników na zwykłe odpady. Po ich wyciągnięciu z urządzenia (patrz paragraf "Wymiana baterii" w rozdziale "Instrukcje i ostrzeżenia dla użytkownika FT210B" należy je zbryć zgodnie z obowiązującymi normami miejscowymi dotyczącymi zużytych baterii.

8) Akcesoria

Do dyspozycji są następujące akcesoria:

- FA1: Pojemnik "pancerny", który należy zamontować jak pokazano na rysunku 32
- FA2: uchwyt mocujący na kolumnkach "MOCF", który należy zamontować jak pokazano na rysunku 33

- FTA1: bateria 3,6V; 7Ah wymiar C, którą należy zamontować jak pokazano na rysunku 34
- FTA2: bateria 3,6V; 2Ah wymiar AA, którą należy zamontować jak pokazano na rysunku 35



9) Dane techniczne

W celu zapewnienia stałej poprawy własnych wyrobów NICE S.p.a zastrzega sobie prawo do zmiany danych technicznych w dowolnym czasie i bez uprzedniego zawiadomienia, gwarantując jednocześnie zachowanie takiej samej funkcjonalności i przeznaczenia wyrobu. Uwaga: wszystkie dane techniczne odnoszą się do temperatury 20°C.

Dane techniczne urządzenia FT210	
Typologia	Urządzenie do transmisji drogą optyczną stanu listwy krawędziowej ze stałą rezystancją, zamontowanej na części ruchomej; składa się ono z nadajnika wysyłającego promień podczerwieni (TX), zasilanego baterią, zamontowanego na ruchomym skrzydle, do którego podłączona jest listwa krawędziowa i z odbiornika (RX) znajdującego się na nieruchomej części bramy.
Zastosowana technologia	Transmisja przy bezpośrednim kontakcie optycznym TX-RX, promieniem światła podczerwonego modulowanego i kodowanego.
Zasilanie odbiornika	12÷24Vpp/ps; zakres: 10÷35 Vps; 11÷28Vpp 50/60Hz; z transformatorem separującym zgodnym z EN 61558
Prąd pobierany przez odbiornik	około 120mA - 12Vps; 70mA - 24Vpp
Napięcie wejścia "Fototest"	Te same zakresy co "Zasilanie odbiornika"
Zasilanie nadajnika	3,6V z baterią litową typu C lub AA
Trwałość baterii nadajnika	Oszacowana na 15 lat z baterią typu C, pojemność 7Ah; (użytkowanie "w zespołach mieszkaniowych": odległość TX-RX do 7m; 20 ruchów na dzień - każdy ruch 90s) Oszacowana na około 5,5 lat z baterią typu C, pojemność 7Ah; (do użytku w przemyśle: odległość TX-RX do 15m; 200 ruchów na dzień - każdy ruch 90s) Oszacowana na około 6 lat z baterią typu AA, pojemność 2Ah; (do użytku w zespołach mieszkalnych: odległość TX-RX do 7m; 20 ruchów na dzień - każdy ruch 90s)
Rodzaj wejścia urządzenia Czułe (Rs)	Typowo $8,2K\Omega$ +22%/-65% dla stanu aktywnego (On) Zakres stanu aktywnego (On): przy $R_s > 2.870\Omega$ i $R_s < 10.010\Omega$ Zakres stanu wyłączonego (Off): przy $R_s < 2.590\Omega$ lub $R_s > 11.060\Omega$
Zdolność odczytu czujnika obecności typu D	Przedmioty z ciemną i matową powierzchnią w osi optycznej TX-RX z wymiarami większymi niż 50mm i o prędkości mniejszej od 1,6m/s
Kąt transmisji TX	+/- 4° (wartość odczytana w 50% zasięgu)
Kąt odbioru RX	+/- 3° (wartość odczytana w 50% zasięgu)
Regulacja	około 210 w osi poziomej i 30°
Zasięg użytkowy	7m lub 15m (przy JP1 założonym w TX) przy rozbieżności osi TX-RX maksymalnie $\pm 2^\circ$ (zasięg może zmniejszyć się jeszcze bardziej w przypadku zjawisk atmosferycznych, a zwłaszcza gęstej mgły, deszczu, śniegu, kurzu, itp.)
Zasięg maksymalny	(w optymalnych warunkach) 15m lub 30m (przy JP1 założonym w TX) przy rozbieżności osi TX-RX maksymalnie $\pm 2^\circ$
Czas odpowiedzi wyjścia FOTO	<45ms (typowy 31ms)
Czas odpowiedzi wyjścia STOP	<30ms (typowy 28ms)
Czas odpowiedzi wyjścia STOP1	1,5s \pm 3%
Kategoria odporności na usterkę	3 lub 2 (według normy EN 954-1) w zależności od typu połączeń wyjść i wejścia FOTOTEST
Obciążalność styków przekaźników wyjścia	maksymalnie 0.5A i maksymalnie 48Vpp (współczynnik $\cos\varphi=1$).
Trwałość styków przekaźników na wyjściu	Trwałość mechaniczna > 1.000.000 cykli; elektryczna > 200.000 cykli (przy obciążeniu 0,25A; 24Vps)
Użytkowanie w środowisku kwaśnym, słonym lub potencjalnie wybuchowym	Nie
Montaż	RX: Pionowo do ściany lub na kolumnie "MOCF" z uchwytem mocującym "FA2" TX: Bezpośrednio na bramie poprzez przykręcenie śrubami (na wyposażeniu).
Stopień zabezpieczenia obudowa	IP44.
Temperatura pracy	-20 ÷55°C.
Wymiary	46 x 128 h 45mm.
Ciężar	odbiornik: 135g Nadajnik 165g z FTA1 lub 140g z FTA2

Instrukcje i ostrzeżenia przeznaczone dla użytkownika FT210

Instrukcje te muszą być zintegrowane z "Instrukcją i ostrzeżeniami związanymi z automatyką", które instalator winien przekazać właścicielowi automatyki.

- **Czynności konserwacyjne:** Jak każde urządzenie, wasza automatyka wymaga okresowej konserwacji, aby mogła pracować możliwie długo i z zachowaniem pełnego bezpieczeństwa. Uzgodnijcie z waszym instalatorem plan okresowej konserwacji; Nice zaleca wykonywanie tych prac co 6 miesięcy w warunkach normalnego użytkowania domowego, lecz okres ten może się zmieniać w zależności od intensywności użytkowania. Wszelkie prace kontrolne, konserwacyjne lub naprawcze powinny być wykonywane wyłącznie przez wykwalifikowany personel.
- Nawet jeśli uważacie, że potraficie to zrobić, nie zmieniajcie instalacji ani parametrów programowania i regulacji automatyki: odpowiedzialność za to spoczywa na waszym instalatorze.
- Odbiór, okresowe konserwacje oraz ewentualne naprawy powinny być udokumentowane przez wykonującego je, a dokumenty powinny być przechowywane przez właściciela urządzenia.
- Jedyne prace, jakie są dla państwa możliwe do wykonania i zalecamy ich okresowe wykonywanie, to czyszczenie szkiełek fotokomórek oraz usuwanie ewentualnych liści lub kamieni, które mogłyby przeszkodzić w pracy automatyki. W celu niedopuszczenia, aby ktokolwiek mógł uruchomić bramę, przed podjęciem działania należy pamiętać o wysprężeniu automatyki, a do czyszczenia używać wyłącznie szmatki lekko zwilżonej wodą.
- Utylizacja: Na zakończenie użytkowania automatyki należy upewnić się, że utylizacja zostanie wykonana przez wykwalifikowany personel i że materiały zostaną wykorzystane ponownie lub zutylizowane według lokalnie obowiązujących norm.

• Wymiana baterii nadajnika urządzenia FT210

Nadajnik znajdujący się w ruchomym skrzydle posiada specjalną baterię litową 3,6V. Trwałość baterii oszacowana jest na wiele lat; trwałość jej zależy od warunków użytkowania. Przewidziana sygnalizacja pojawia się na kilka miesięcy przed całkowitym wyczerpaniem się baterii po to,

aby dać czas użytkownikowi na jej wymianę.

Właściwy moment na wymianę baterii jest wówczas, kiedy na odbiorniku znajdującym się na części stałej (przy ścianie jak wskazano na rysunku A lub na kolumnie jak wskazano na rysunku B) pojawi się następująca sygnalizacja: **2 krótkie mignięcia z 1- sekundową przerwą.**

Bateria nadajnika znajdująca się na skrzydle bramy; aby ją wymienić należy:

- 1) Ściągnąć zaślepki śrub tak, jak wskazano na rysunku C.
- 2) Wykręcić śruby mocujące pokrywkę i usunąć ją tak, jak wskazano na rysunku C.
- 3) Wyciągnąć baterię podważając ją śrubokrętem.
- 4) Odczekać co najmniej 10 sekund przed założeniem nowej baterii.
- 5) Założyć ją zgodnie z biegunowością: plus w kierunku do góry.
- 6) Założyć nową baterię tak, jak przedstawiono na rysunku D lub E, w zależności od używanego typu.
- 7) Przykręcić pokrywkę śrubami i założyć właściwe zaślepki.

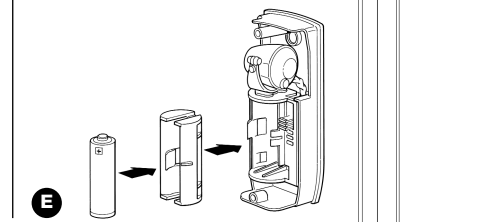
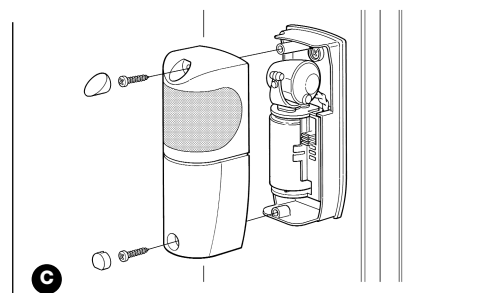
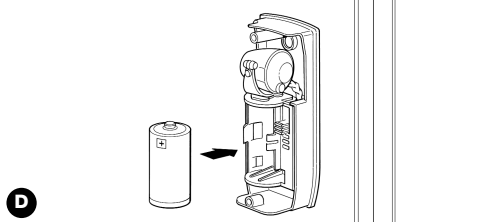
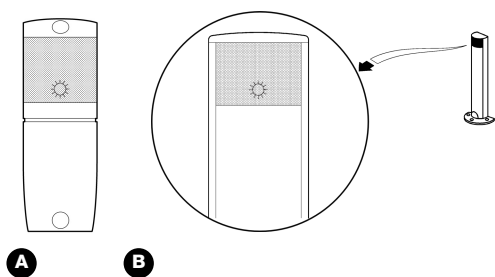
Do dyspozycji są 2 rodzaje baterii:

- FTA1: bateria 3,6V; 7Ah wymiar C, którą należy zamontować jak pokazano na rysunku D
- FTA2: bateria 3,6V; 2Ah wymiar AA, którą należy zamontować jak pokazano na rysunku E

Uwaga: Baterie stosowane w tym produkcie są bateriami alkalinowymi.

Zarządcą od firmy Nice s.p.a zestaw baterii wymiennych "FTA1" o "FTA2".

Uwaga: produkt działa na baterie, które mogą zawierać substancje zanieczyszczające środowisko, nie wyrzucać tego produktu do pojemników na zwykłe odpady. Po ich wyciągnięciu z urządzenia (patrz paragraf "Wymiana baterii" w rozdziale "Instrukcje i ostrzeżenia dla użytkownika FT210B") należy je zbyć zgodnie z obowiązującymi normami miejscowymi dotyczącymi zużytych baterii.



1) Aanbevelingen

Deze handleiding met aanwijzingen bevat belangrijke informatie met betrekking tot de veiligheid voor de installatie; u dient alle aanwijzingen eerst te lezen voordat u met de installatie gaat beginnen. Bewaar deze handleiding zorgvuldig zodat ze ook in de toekomst geraadpleegd kan worden. Met het oog op de gevaren die zich tijdens het installeren en het gebruik van FT210 kunnen voordoen, is het voor een zo groot mogelijke veiligheid noodzakelijk dat de installatie met volledige inachtneming van wetten, normen en voorschriften uitgevoerd wordt.

Volgens de meest recente Europese wetgeving valt de automatisering van een deur of een poort onder de bepalingen van de Richtlijn 98/37/EG (Machinerichtlijn) en met name, onder de normen: EN 13241-1 (geharmoniseerde norm); EN 12445; EN 12453 en EN 12635, op grond waarvan het mogelijk is te verklaren dat de automatisering in overeenstemming met de Machinerichtlijn is.

Verdere inlichtingen, richtlijnen ten aanzien van risico's en het samenstellen van het technisch dossier zijn beschikbaar op: "www.niceforyou.com". Deze handleiding is uitsluitend bestemd voor technisch personeel dat voor de installatie gekwalificeerd is en geen enkele andere informatie die in dit dossier is vervat, kan als interessant voor de eindgebruiker worden beschouwd!

- Leder ander gebruik van FT210 dan van wat in deze aanwijzingen voorzien is, is verboden; oneigenlijk gebruik kan gevaar of schade en letsel aan zaken en mensen veroorzaken.
- Breng geen wijzigingen aan onderdelen aan, indien dit niet in deze handleiding is voorzien. Dergelijke handelingen kunnen alleen maar storingen veroorzaken. NICE wijst elke aansprakelijkheid voor schade tengevolge van gewijzigde artikelen van de hand.
- FT210 mag uitsluitend via rechtstreekse interpolatie functieneren; gebruik via reflectie

- Gebruik de juiste geleiders voor de elektrische aansluitingen zoals u dat in het hoofdstuk "Installatie" kunt vinden.
- Vergewis u ervan dat de elektrische stroomvoorziening en de overige gebruiksparemeters overeenstemmen met de waarden zoals die in de tabel "Technische gegevens" opgevoerd zijn.
- Vervaardiging van veiligheidsinrichtingen voor automatische deuren en poorten is onderworpen aan onderstaande regelgeving:
 - EN 12453 Deuren en poorten voor industrie, handel en garages. Veiligheid bij het gebruik van door motoren aangedreven deuren - Vereisten
 - EN 12978 - Deuren en poorten voor industrie, handel en garages. Veiligheidsinrichtingen voor door motoren aangedreven deuren en poorten - Vereisten en testmethodes.

Installatie en aansluiting van FT210 met het doel een veiligheidsinrichting te vervaardigen, zonder aan de vereisten van deze normen te voldoen komt overeen met nalatigheid en opzettelijk misbruik!

Bijzondere aanbevelingen ten aanzien van de gebruiksgeschiktheid van dit product in samenhang met de Richtlijn "Elektromagnetische Compatibiliteit" 89/336/EEG en daaropvolgende wijzigingen 92/31/EEG en 93/68/EEG:

Dit product is in de meeste kritieke gebruikssituaties onderworpen aan tests met betrekking tot elektromagnetische compatibiliteit, in de configuraties zoals die in deze handleiding voorzien zijn en in combinatie met de artikelen uit de productencatalogus van Nice S.p.a. De elektromagnetische compatibiliteit zou niet gegarandeerd kunnen worden als het product gebruikt wordt met andere producten, die niet voorzien zijn; het is verboden dit product in deze situaties te gebruiken tot de installateur heeft gecontroleerd of het voldoet aan de in de richtlijn gestelde eisen.

2) Beschrijving van het product en gebruiksdoel

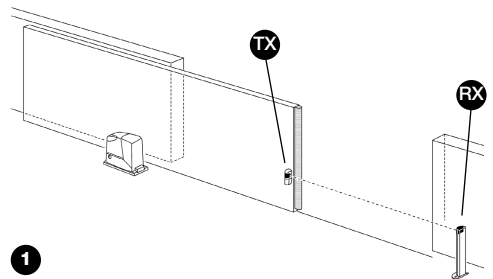
FT210 is een inrichting waarmee het mogelijk is het probleem van de elektrische aansluitingen van contactlijsten op bewegende vleugels op te lossen. Ze bestaat uit een zender met infrarode stralen (TX), die door een batterij met lange levensduur van stroom wordt voorzien; ze dient op de bewegende vleugel aangebracht te worden waarop de contactlijst gekoppeld wordt. Hierbij komt een ontvanger (RX) die op het vaste deel wordt aangebracht en normaal van stroom wordt voorzien: 12÷24Vac/dc. De contactlijst, van het type met een constante weerstand 8,2KΩ, wordt voortdurend door de zender gecontroleerd en de status van activering of inactivering wordt naar de ontvanger verzonden. De ontvanger RX interpreteert de ontvangen informatie en, op grond van de status van de lijst activeert hij al dan niet de 2 relais van de uitgang ALT en ALT1 (ook FOTO als de jumper JP2 van de ontvanger uitgeschakeld is. Zie tabel 2). De communicatie tussen TX en RX is met zeer veilige technieken gecodeerd zodat de gehele inrichting conform de veiligheids categorie 3 voor defecten volgens de norm EN 954-1 is en dus bruikbaar is in systemen PSPE conform de norm EN 12978.

Wanneer de fotoinrichting FT210 geassembleerd is volgens de aanwijzingen en voorzien is van de specifieke contactlijst TCB65, verklaart de fabrikant dat die in overeenstemming is met onderstaande normen:

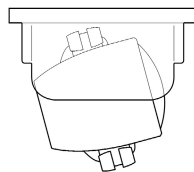
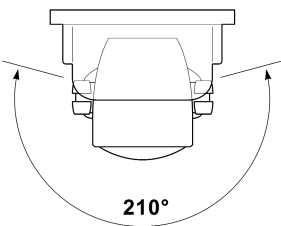
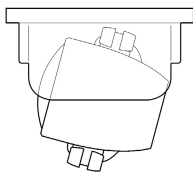
- Wanneer de fotoinrichting FT210 geassembleerd is volgens de aanwijzingen en voorzien is van de specifieke contactlijst TCB65, verklaart de fabrikant dat die in overeenstemming is met onderstaande normen:

- EN 1760-2 Veiligheid van machines - Veiligheidsinrichtingen die op indrukken daarvan reageren - Algemene beginselen voor het ontwerpen en testen van contactlijsten en -staven.
- EN 12978 - Deuren en poorten voor industrie handel en garages. Veiligheidsinrichtingen voor door motoren aangedreven deuren en poorten - Vereisten en testmethodeno

Let op: de FT210 alleen is geen volledige veiligheidsinrichting maar maakt slechts deel daarvan uit!
Als TX en RX zo worden gepositioneerd dat de optische communicatie via de opening plaatsvindt (zie afbeelding 1), kan de inrichting ook gebruikt worden als obstakeldetectie-inrichting (type D volgens de norm EN 12453); een voorwerp dat de straal onderbreekt, veroorzaakt immers deactivering van het specifieke derde relais van uitgang FOTO.



Met de mogelijkheid de FT210 over 210° op de horizontale as en 30° op de verticale as te richten, kan ze ook gebruikt worden waar bevestigingsvlakken een correcte uitlijning tussen TX en RX zouden beletten (zie afbeelding 2).



2

3) Installatie

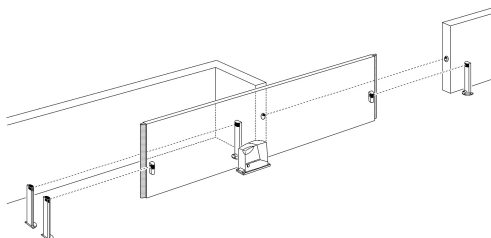
⚠ Alle installatiewerkzaamheden dienen uitgevoerd te worden terwijl er geen stroom op de installatie staat; indien er een bufferbatterij aanwezig is, dient deze losgekoppeld te worden.

3.1) Controles vooraf

Omdat het product zo bijzonder en uniek is, dient u alvorens met de installatie te beginnen enkele aspecten met betrekking tot het werkingsprincipe te beoordelen teneinde een zo groot mogelijke veiligheid en functionaliteit te verkrijgen.

- Controleer zorgvuldig of de gebruiksparameters overeenkomen met de gegevens zoals die in het hoofdstuk "technische gegevens" zijn vermeld. Gebruik in geval van twijfel het product niet en vraag de technische dienst van Nice om opheldering.
- De zender controleert voortdurend de staat van de contactlijst en verzendt de informatie naar de ontvanger. Om het verbruik van de batterij te beperken maar toch de verlangde veiligheid te garanderen, gebeurt dit met 2 verschillende "snelheden": LANGZAAM wanneer de poort stil staat; SNEL wanneer de poort in beweging is. De zender herkent de staat van de poort in beweging via een speciale sensor die de trillingen van de poort in beweging waarneemt. Zodra de poort in beweging komt, gaat de zender over naar de modus SNEL en blijft daar tot wanneer de poort 10 of 90 seconden stil blijft staan (zie jumpers JP2 en JP3 in tabel 1).
- Om het verlangde veiligheidsniveau te kunnen garanderen moet de ontvanger de staat van de poort kennen, vooral om te controleren of de modus LANGZAAM of SNEL van de zender correct is. Dit controlemechanisme vindt via de ingang "FOTOTEST" van de ontvanger plaats (zie ook de voorbeelden van aansluiting op afbeelding 18 en 19). Over het algemeen wordt er in de besturingseenheden aan het begin van elke manoeuvre een Fototest uitgevoerd; op deze manier wordt de ontvanger van FT210 erover geïnformeerd dat de poort binnen enkele momenten zal gaan bewegen.
- Als de besturingseenheid niet over Fototest beschikt, is het toch mogelijk de inrichting FT210 te gebruiken, en wel door de ingang FOTOTEST van FT210 op de uitgang SCA van de besturingseenheid aan te sluiten; in dat geval dient er op de uitgang SCA (Controlelampje Poort Open) een onderbroken (knipperend) signaal tijdens de gehele duur van de manoeuvre aanwezig te zijn (zie voorbeeld voor aansluiting op afbeelding 20).
- Als de besturingseenheid evenmin over de uitgang SCA beschikt, zal de FT210 in de voortdurende modus SNEL geprogrammeerd moeten worden door de jumper JP3 op TX los te halen (zie tabel 1).

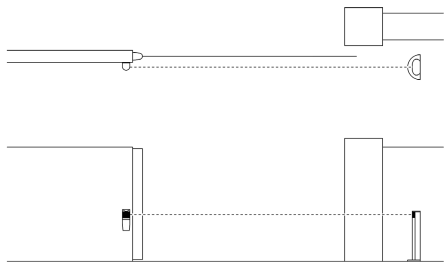
- In de besturingseenheden waarin de FOTOTEST alleen aan het begin van de openingsmanoeuvre wordt uitgevoerd en de sluiting weer automatisch verloopt, is het noodzakelijk 90 seconden te wachten bij de overschakeling van de modus SNEL naar LANGZAAM wanneer de poort gesloten is (zie JP2 in tabel 1). Op deze manier zal de TX voor de gehele openingsduur van de poort in de modus SNEL blijven. Natuurlijk moet de pauzeduur van de besturingseenheid korter dan 90 seconden zijn.
- FT210 is uitgedacht om andere fotocellen niet te storen en om door hen niet gestoord te worden; dit betekent dat FT210 met andere fotocellen gecombineerd kan worden. Werking wordt gegarandeerd met tenminste één ander stel door Nice vervaardigde fotocellen, terwijl de werking met meer dan een stel of met fotocellen van andere fabrikanten niet gegarandeerd zou kunnen worden. In elk geval dient u, om te controleren dat er geen interferentie met andere inrichtingen bestaat, zorgvuldig de procedure voor de eindtekst zoals die in hoofdstuk 4 voorzien is, uit te voeren en de specifieke signalering in tabel 5 te controleren. U kunt echter twee inrichtingen FT210 gebruiken om de voorzijde en achterzijde van een zelfde poort te controleren, gezien het feit dat in dit geval de twee TX het signaal in twee tegenoverliggende richtingen verzenden.
- Er kunnen geen twee inrichtingen FT210 gebruikt worden om hetzelfde gebied te controleren; als een ontvanger het signaal van twee zenders mocht waarnemen zou deze zich in de staat van "veiligheid" stellen en beletten dat de poort zou bewegen. Zie de specifieke signalering in tabel 5. Een voorbeeld van een correcte installatie ziet u op afbeelding 3.



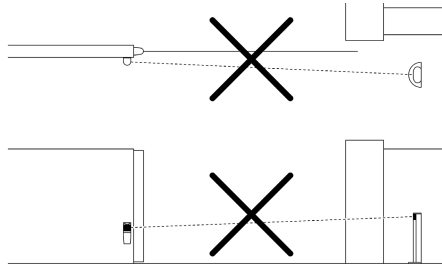
3

- De zender TX van de FT210 zendt een straal uit onder een hoek van ongeveer $\pm 4^\circ$; een perfecte uitlijning tussen TX en RX is dientengevolge noodzakelijk die over de gehele loop van de poort constant moet blijven.

Op afbeelding 4 ziet u een correcte montage; op afbeelding 5 vindt u twee voorbeelden van een verkeerde montage.

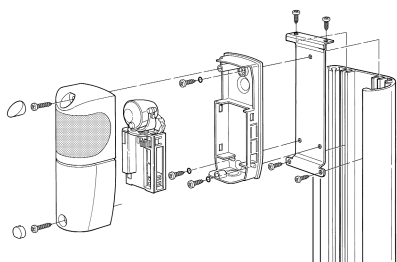


4

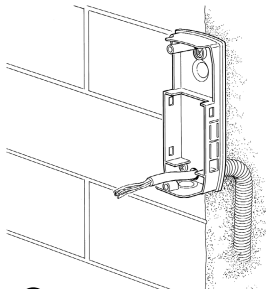


5

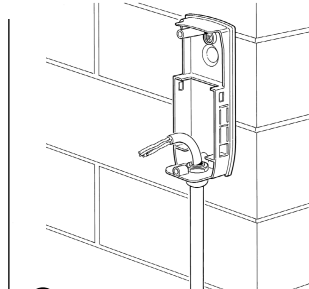
- Al naar gelang de noodzaak kan de ontvanger geïnstalleerd worden op het speciale zuiltje MOCF met het daarvoor bestemde accessoire FA2 (zie afbeelding 6) of aan de wand bevestigd worden; in dit geval kan de kabel vanaf de bodem binnenkomen (zie afbeelding 7) of van beneden; in dit geval dient u een kabelklem van het type "PG9" toe te voegen (zie afbeelding 8).



6



7

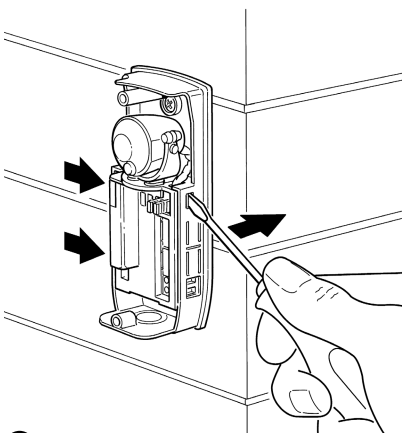


8

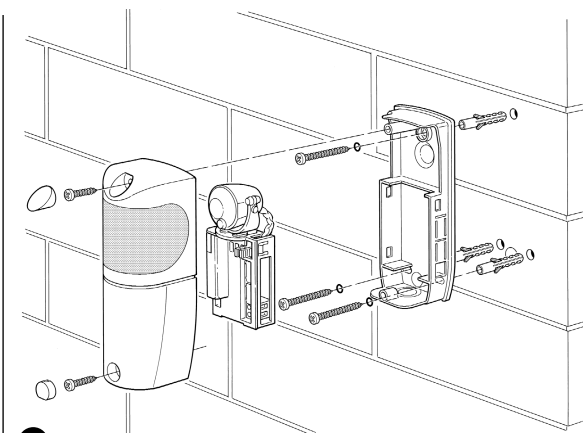
3.2 Bevestiging van de inrichtingen

Verricht de installatie en de bevestiging van de inrichtingen in de hieronder vermelde volgorde:

- Om het bevestigen gemakkelijker te maken is het mogelijk de elektronische kaart van de bodem te scheiden door deze met een schroevendraaier in de drie klikverbindingen op te tillen zoals dat op afbeelding 9 is aangegeven
- Bevestig de ontvanger zoals dat op afbeelding 10 is aangegeven.



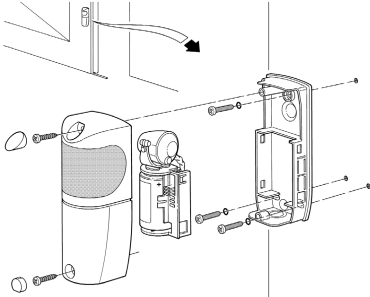
9



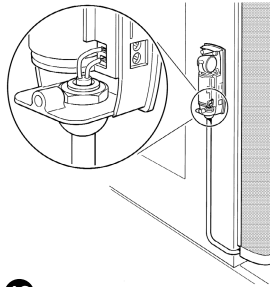
10

3. Monteer de zender op de beweegbare vleugel zoals dat op afbeelding 11 is aangegeven

4. Voer op de zender de elektrische aansluiting van de contactlijst, van het type met constante weerstand $8,2K\Omega$ uit, zoals dat op afbeelding 12 te zien is. De weerstand die op de klemmetjes van de TX aanwezig is, dient verwijderd te worden en gebruikt te worden als eindweerstand van de contactlijst, of kan niet gebruikt worden indien de lijst over een eigen eindweerstand beschikt.



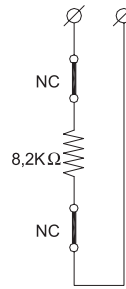
11



12

SENSITIVE DEVICE

FT210 TX



13

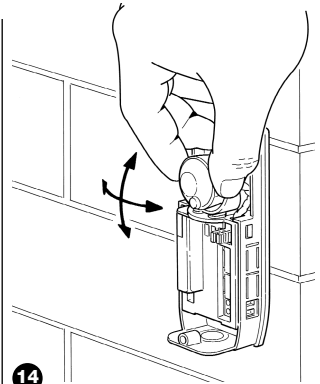
Indien de contactlijst over een uitgang met 2 onafhankelijk beschikbare contacten NC beschikt, is het mogelijk deze aan te sluiten - zoals dat op afbeelding 13 weergegeven is - door de weerstand van $8,2K\Omega$ in serie tussen de twee contacten te plaatsen. Controleer of de fabrikant van de contactlijst tenminste de veiligheids categorie 3 voor defecten volgens de norm EN 954-1 certificeert.

Let op: gebruik geen contactlijsten die als uitgang één enkel contact van het type NC hebben, daar zij niet de door de normen verlangde categorie van weerstand zouden hebben.

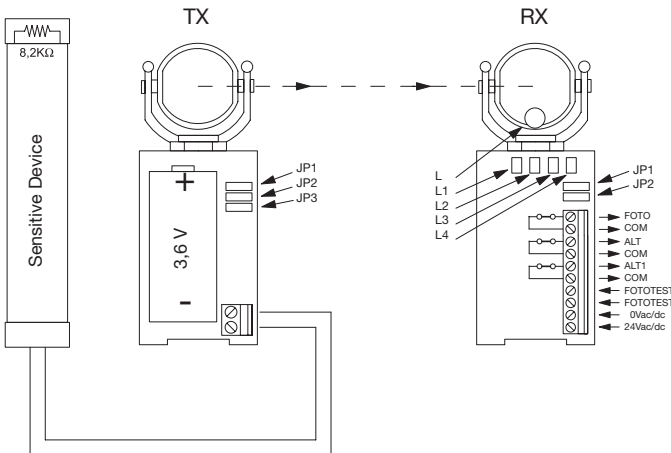
5. Verricht de elektrische aansluitingen volgens de aanwijzingen vervat in de handleiding van de besturingseenheid. Zie ook de voorbeelden van aansluiting in het hoofdstuk 3.3 "Elektrische aansluitingen".

6. Richt de lenzen zoals dat op afbeelding 14 te zien is zodat u de best mogelijke uitlijning tussen TX en RX verkrijgt. De correcte uitlijning zal daarna in het hoofdstuk 4 "Eindtest" gecontroleerd worden.

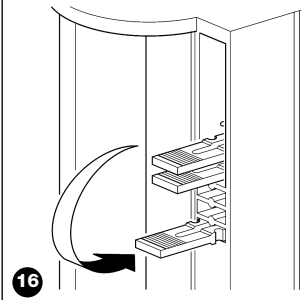
7. Programmeer de jumpers zowel op TX als op RX (zie afbeelding 15) volgens de aanwijzingen in de tabel 1-2 voor de gewenste werking. Leg de eventueel niet gebruikte jumpers in het vakje daarvoor zodat u die later nog zou kunnen gebruiken (zie de afbeeldingen 16 - 17).



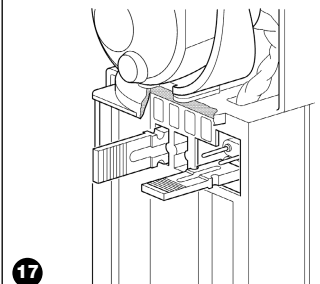
14



15



16



17

Tabel 1: jumpers op de zender TX

Jumper	Positie	Beschrijving
JP1	Ingeschakeld	Vermogen van de zender geschikt voor poorten tot 15 meter
	Uitgeschakeld	Vermogen van de zender geschikt voor poorten tot 7 meter
JP2	Ingeschakeld	Schakelt over op overseining LANGZAAM 10 seconden na afloop van de manoeuvre (zie ook JP3)
	Uitgeschakeld	Schakelt over op overseining LANGZAAM 90 seconden na afloop van de manoeuvre (zie ook JP3)
JP3	Ingeschakeld	Na afloop van de manoeuvre schakelt over op overseining LANGZAAM
	Uitgeschakeld	Schakelt nooit over op overseining LANGZAAM maar blijft altijd in de modus SNEL

Tabel 2: jumpers op de ontvanger RX

Jumper	Positie	Beschrijving
JP1	Ingeschakeld	Ingang Fototest aangesloten op de uitgang Fototest van de besturingseenheid
	Uitgeschakeld	Ingang Fototest aangesloten op de uitgang S.C.A. van de besturingseenheid; of ingang Fototest onaangesloten als de besturingseenheid noch over Fototest noch over de uitgang SCA beschikt (Let op: alleen mogelijk wanneer JP3 op de TX uitgeschakeld is)
JP2	Ingeschakeld	Onderbreking van de infrarode straal veroorzaakt opening van het contact FOTO Activering van de contactlijst veroorzaakt opening van het contact ALT en na 1,5s van het contact ALT1
	Uitgeschakeld	Onderbreking van de infrarode straal veroorzaakt opening van het contact FOTO Activering van de contactlijst veroorzaakt opening van het contact ALT en na 1,5s van het contact ALT en ALT1. Te gebruiken in die besturingseenheden welke geen omkering voor zien bij tussenkomst van ALT.

3.3) Elektrische aansluitingen

In dit hoofdstuk worden de elektrische aansluitingen beschreven en enkele mogelijke aansluitingsschema's op basis van het type besturingseenheid dat in de automatisering gebruikt is. Gebruik in geval van twijfel het product niet en vraag de technische dienst van Nice om informatie.

Tabel 3: lijst van aansluitingen

Aansluiting	Type kabel	Maximale lengte	Beschrijving
12÷24V	2x0,5mm ²	30m	Stroomvoorziening van de ontvanger; gelijkstroom of wisselstroom
Fototest	2x0,25mm ²	30m	Ingang voor test aan het begin van de manoeuvre; deze kan aangesloten worden op spanningen in gelijkstroom of wisselstroom; dit is niet gebonden aan de klemmetjes voor stroomtoevoer.
Contacten uitgangen	2x0,25mm ²	30m	Contacten van de uitgangrelais; normaal dicht (NC) wanneer de ontvanger onder spanning staat en actief is (zie tabel 4)

Tabel 4: beschrijving uitgangen RX

Uitgang	Contact relais	Beschrijving
FOTO	Dicht	Er zijn geen obstakels en de door TX verzonden gegevens worden correct ontvangen.
	Open	Er zijn obstakels en de door TX verzonden gegevens worden niet correct ontvangen.
De uitgang FOTO (fotocel) dient op de ingang van de besturingseenheid aangesloten te worden die omkering van de manoeuvre veroorzaakt, normaal bestemd voor obstakeldetectie-inrichting van het type D		
ALT	Dicht	Op de contactlijst aangesloten op de TX wordt geen druk uitgeoefend
	Open	Op de contactlijst aangesloten op de TX wordt druk uitgeoefend
De uitgang ALT moet aangesloten worden op de ingang van de besturingseenheid die een stop veroorzaakt en eventuele omkering van de bewegingsrichting, normaal bestemd voor de contactinrichtingen PSPE		
ALT1	Dicht	Op de contactlijst aangesloten op de TX wordt geen druk uitgeoefend
	Open	Na 1,5 seconden als er op de op TX aangesloten contactlijst druk uitgeoefend wordt
De uitgang ALT1 moet op de tweede ingang van de besturingseenheid worden aangesloten die een stop veroorzaakt en eventuele omkering van de bewegingsrichting, normaal bestemd voor de contactinrichtingen PSPE.		
Indien deze tweede ingang op de besturingseenheid niet beschikbaar is, kunt u het volgende doen:		

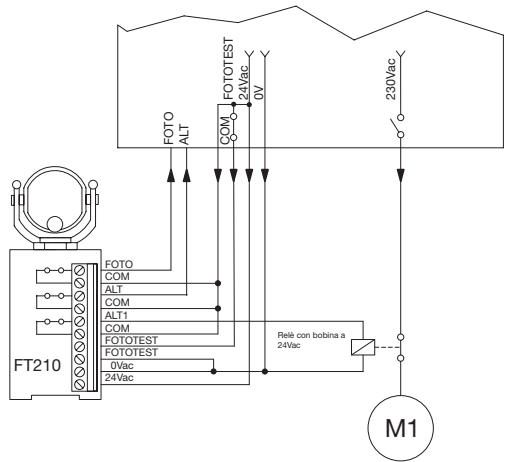
- Gebruik de uitgang ALT1 om een relais met een adequaat vermogen aan te sturen die de stroomvoorziening rechtstreeks naar de motor onderbreekt (zie afbeelding 18).
- Gebruik de uitgang ALT1 niet en schakel JP2 op de RX uit; op deze manier veroorzaakt activering van de contactlijst dat het contact FOTO open gaat waarbij ook in dit geval de veiligheidscategorie 3 bij defecten gegarandeerd wordt.

3.3.1) Voorbeeld van algemene aansluiting

Op afbeelding 18 zie u een voorbeeld van een algemene aansluiting van FT210 op een besturingseenheid met ingangen FOTO; ALT en voorzien van uitgang voor Fototest. In deze configuratie dient u de jumpers van de ontvanger RX als volgt in te stellen:

- JP1 **ingeschakeld**
- JP2 **ingeschakeld**, als activering van de ingang ALT van de besturingseenheid onderbreking en omkering van de beweging tot gevolg heeft (in dit geval kan het op ALT1 op afbeelding 18 aangesloten relais verwijderd worden en moet het contact van ALT1 serieel op FOTO worden geschakeld en op de ingang FOTO van de besturingseenheid aangesloten, zoals u op afbeelding 19 en 20 ziet)
- **uitgeschakeld**, als activering van de ingang ALT van de besturingseenheid alleen tot gevolg heeft dat de beweging onderbroken wordt

18

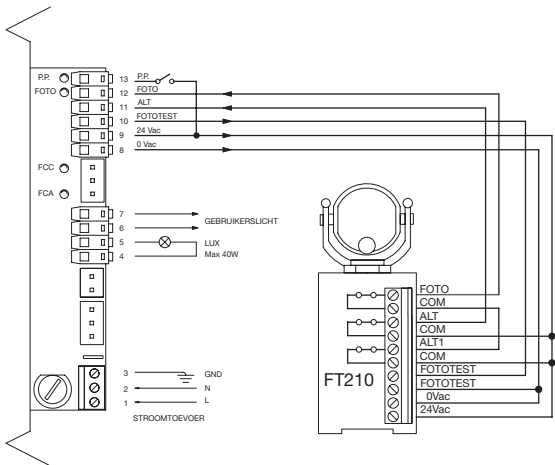


3.3.2) Voorbeeld van aansluiting met besturingseenheid voorzien van "Fototest"

Op afbeelding 19 vindt u een voorbeeld van aansluiting van FT210 op de besturingseenheid van de reductiemotor ROBO model "RO300" met gebruikmaking van de functie Fototest. In deze configuratie dient u de jumpers van de ontvanger RX als volgt in te stellen:

- JP1 **ingeschakeld**
- JP2 **ingeschakeld** (besturingseenheid met omkering van de beweging bij activering van de ingang ALT)

19

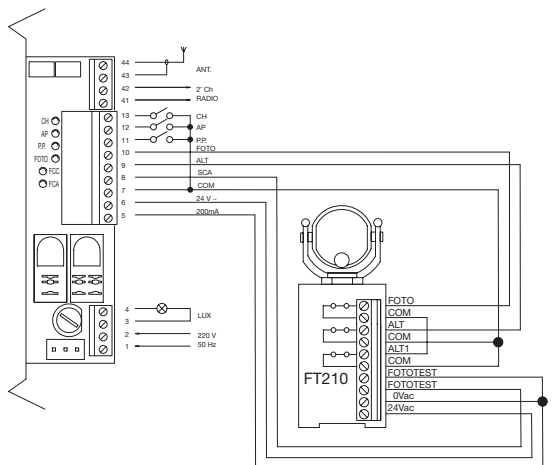


3.3.3) Voorbeeld van aansluiting met besturingseenheid voorzien van uitgang SCA

Op afbeelding 20 vindt u een voorbeeld van aansluiting van FT210 op de besturingseenheid van de reductiemotor ROBO model RO1000 waarbij gebruik gemaakt wordt van de uitgang SCA. In deze configuratie dient u de jumpers van de ontvanger RX als volgt in te stellen:

- JP1 **uitgeschakeld**
- JP2 **iingeschakeld** (besturingseenheid met omkering van de beweging bij activering van de ingang ALT)

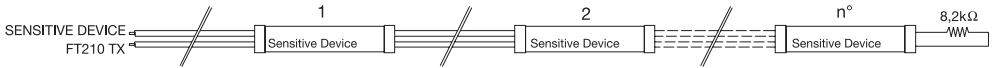
20



3.3.4) Aansluiting van 2 of meer contactlijsten

De zender van FT210 beschikt over één enkele ingang voor contactlijsten, maar het is mogelijk twee of meer contactlijsten die dezelfde functie vervullen, via een cascadeschakeling de één na de ander zoals dat op afbeelding 21 te zien is, aan te sluiten waarbij één enkele weerstand van 8,2kOhm. Aan het eind geplaatst wordt.

Let op!: de inrichtingen met een constante weerstand moeten via een cascadeschakeling gekoppeld worden en nooit serieel of parallel aan elkaar!



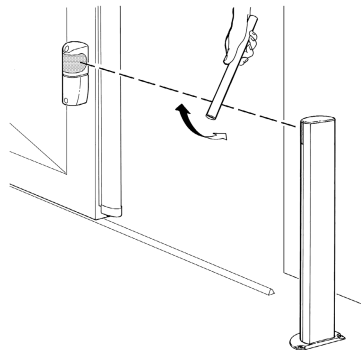
21

4) Eindtest

Elke afzonderlijke component van het automatische veriest een specifieke eindtest. Voor de eindtest van "FT210" dient u de volgende reeks handelingen te verrichten. Indien er 2 inrichtingen aanwezig zijn, één aan de voorzijde van de vleugel en een aan de achterzijde (zie afbeelding 3) dienen de handeling voor beide inrichtingen uitgevoerd te worden.

Let op!: op sommige punten zijn er controles vereist waarbij de poort in beweging is; aangezien de automatisering dan niet voldoende VEILIG ZOU KUNNEN ZIJN, dient u de grootste oplettendheid te betrachten bij het verrichten van deze controles.

1. Controleer dat alle voorschriften uit deze handleiding en met name die uit de hoofdstukken 1 "Aanbevelingen" en 3 "Installatie" nauwgezet in acht zijn genomen
2. Ongrendel de vleugel van de poort helemaal en open deze, waarbij u de TX zover mogelijk van de RX plaats.
3. Verifieer dat er geen enkel obstakel is tussen TX en RX.
4. Indien er stroom aanwezig is dient u die van de ontvanger los te koppelen en de batterij uit de zender te halen.
5. Haal de contactinrichting van de klemmetjes van de TX en meet met een ohmeter de waarde van de weerstand van deze inrichting; controleer of de waarde tussen 7700Ω en 8700Ω (nominal 8200Ω ligt).
6. Druk op de contactlijst om die te activeren en meet opnieuw de waarde van de weerstand; controleer of de waarde lager dan 1000Ω of hoger dan 16500Ω is.
7. Sluit de contactinrichting weer op de klemmetjes van de TX aan
8. Voorzie de ontvanger weer van elektrische stroom en controleer of de ledlampjes L1 (Ir Level), L2 (Fototest Ko) en L3 (Sensitive Device Ko) branden; controleer of het ledlampje L4 (Sensitive Device Ok) uit is (zie afbeelding 30).
9. Haal de jumper JP3 op de TX weg zodat deze altijd in de modus SNEL uitseint.
10. Als de afstand tussen TX en RX van 7m overschrijdt, dient u te controleren of de jumper JP1 op de TX ingeschakeld is (dus geprogrammeerd voor afstanden van maximaal 15m).
11. Breng de batterij FTA1 of FTA2 op de TX aan (zie de afbeeldingen 33 of 34).
12. Controleer op de ontvanger RX of het ledlampje L1 (Ir Level) knippert; of de ledlampjes L2 (Fototest Ko) en L4 (Sensitive Device Ok) branden en het ledlampje L3 (Sensitive Device Ko) uit is.
13. Zo nodig kunt de uitlijning verbeteren door de lenzen op de TX en de RX te richten, zoals u kunt zien op afbeelding 14. Volg de signalering van het ledlampje (Ir Level); hoe kleiner de snelheid is, hoe beter de uitlijning; optimale afstelling er is wanneer het ledlampje L1 langzaam knippert, ten hoogste 3 knipperingen per seconde.
14. Voer de test opnieuw uit waarbij u de het bovendee van het veiligheidsomhulsel zowel op de TX als op de RX aanbrengt. Let erop dat op het omhulsel van de RX een filter zit dat slechte weersomstandigheden die zich bij gebruik kunnen voordoen, nabootst.
15. Verplaats de poortvleugel over de gehele looplengte en controleer aan de hand van het knipperen van het ledlampje L1 of de uitlijning nog steeds optimaal blijft.
16. Verifieer bij het controleren van FT210 of de optische detectie-eenheid (type D) correct werkt; ga met name na of er geen interferentie met andere inrichtingen optreedt; hiervoor beweegt u een cilinder met een doorsnede van 50mm op de optische as, eerst in de nabijheid van de TX, daarna in de nabijheid van de RX en tenslotte midden tussen die twee in (zie afbeelding 22). Controleer of in alle gevallen de inrichting in werking treedt door van de actieve staat op de alarmtoestand over te gaan (led L1 aan) en andersom.



22

17. Verifieer bij het controleren van FT210 of de contactinrichting PSPE correct werkt; druk op de contactlijst en laat die weer los zoals dat op afbeelding 23te zien is en ga na of het ledlampje L4 uit gaat en het ledlampje L3 aan gaat en omgekeerd.

18. Als dit de gewenste programmering is, brengt u de jumper JP3 op de TX aan zodat enige seconden na afloop van de manoeuvre de overseining op de in de modus LANGZAAM overschakelt.

19. Indien de in het voorgaande punt beschreven handeling uitgevoerd is, dient u te controleren of na afloop van de voorziene tijd (zie JP2 in tabel 1) de zender op de modus LANGZAAM overschakelt. U herkent overseining in de modus LANGZAAM doordat het ledlampje L1 herhaaldelijk vier maal kort knippert gevolgd door een pauze.

20. Haak de vleugel mechanisch aan de motor en voer een aangestuurde manoeuvre van de poort uit. Controleer intussen of bij het begin van de manoeuvre het ledlampje L2 dooft waarmee aangegeven wordt dat de test van de sensor die de trillingen van de bewegende poort meet, tot een goed einde is gekomen.

21. Voer verschillende manoeuvres met de poort uit en controleer of de openings-en sluitmanoeuvre correct en zonder omkering van de manoeuvre plaats vinden.

22. Voer nog enkele manoeuvres uit en handel tijdens de sluitmanoeuvre op de optische obstakeldetectie-inrichting zoals dat in punt 15 is aangegeven; controleer of de voorziene handeling bijvoorbeeld omkering van de manoeuvre teweeg brengt.

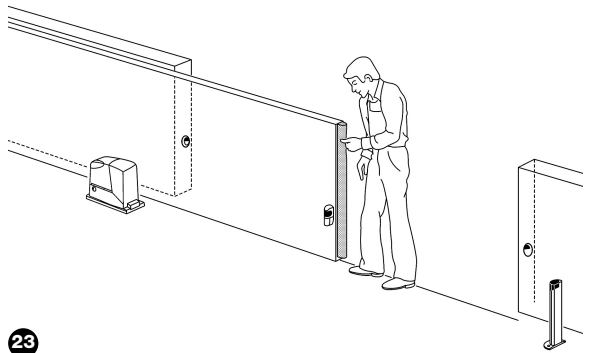
23. Voer nog enkele manoeuvres uit en handel tijdens de sluitmanoeuvre op de contactlijst zoals dat op punt 16 is aangegeven; controleer of de voorziene handeling bijvoorbeeld omkering van de manoeuvre teweeg brengt.

24. Controle van de optische obstakeldetectie-inrichting (type D) volgens de norm EN 12445 di FT210; deze controle dient uitgevoerd te worden volgens de eisen uit hoofdstuk 7 van de norm EN 12445:2000 (of bijlage A in prEN12445:2005) met het testblok 700x300x200mm waarvan 3 vlakken mat zwart zijn en 3 glanzend wit of spiegelend, zoals te zien op afbeelding 24e.

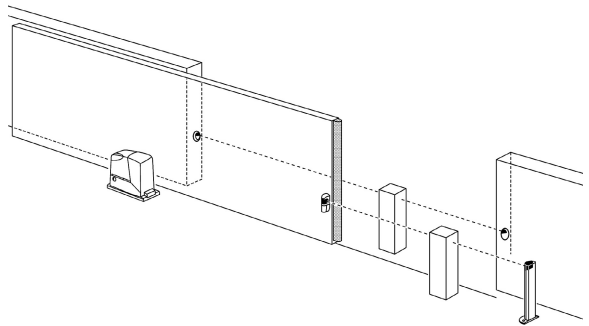
25. Controle van de contactinrichting PSPE van FT210 volgens de norm EN 12445; indien gevaarlijke situaties als gevolg van de beweging van de vleugel worden voorkomen door de stootkracht te beperken (type C), dient deze kracht volgens de voorschriften uit hoofdstuk 5 van de norm EN 12445 met het specifieke instrument op de voorziene punten gemeten te worden.

26. Na alle voorgaande punten gecontroleerd te hebben haalt u het filter van het glaasje van de ontvanger RX weg, zoals dat op afbeelding 25 te zien is.

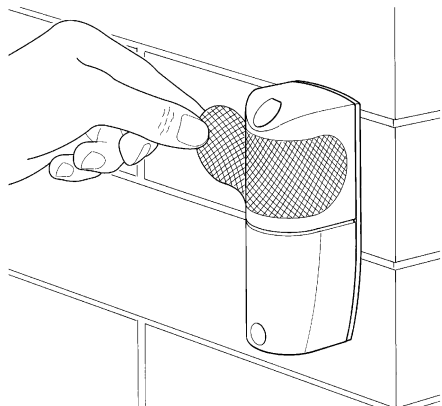
27. Na afloop van de eindtest gelieve u eraan te denken alle kastjes van de verschillende inrichtingen te sluiten.



23



24



25

5) Verdere details

In dit hoofdstuk zullen de mogelijkheden voor persoonlijke aanpassing, diagnostiek en opsporing van storingen op FT210 worden behandeld

5.1) Voorbeelden van toepassing van FT210 als obstakeldetectie-inrichting

U kunt de FT210 als een eenvoudige obstakeldetectie-inrichting van het type D, dus zonder aansluiting op de contactlijst, gebruiken. Op afbeelding 26 ziet u een voorbeeld van aansluiting bij dit soort gebruik van de foto-inrichting FT210.

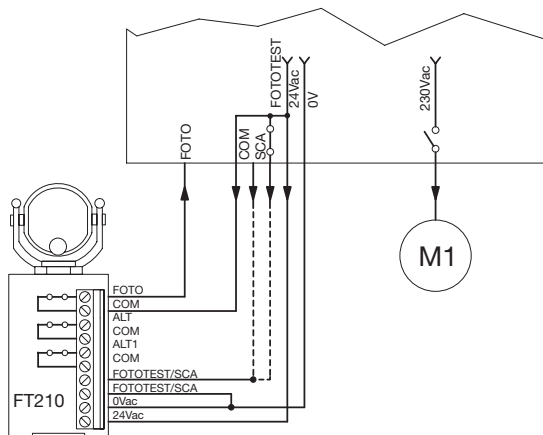
In dit geval dient u als volgt te werk te gaan:

1. Verricht de montage zoals dat in de paragraaf "Installatie" behandeld is.
2. Schakel de jumper "JP3" van de zender uit zodat overdracht steeds in de modus SNEL verloopt
3. Gebruik alleen de uitgang FOTO van de ontvanger.
4. Sluit aan en gebruik de Fototest als de besturingseenheid deze functie aanstuurt. In dit geval dient de jumper JP1 van de ontvanger ingeschakeld te worden.
5. Als de besturingseenheid alleen over de uitgang SCA beschikt, dient u deze op de ingang Fototest van de ontvanger aan te sluiten. De jumper JP1 van de ontvanger moet uitgeschakeld worden.
6. Als u op de besturingseenheid over geen enkele bruikbare uitgang (Fototest of SCA) beschikt, dient u de ingang Fototest van de ontvanger onaangesloten te laten en de jumper JP1 van de ontvanger uit te schakelen.

N.B.: De modus van overseining SNEL vermindert de levensduur van de batterij van de zender. In dit geval wordt de levensduur van een batterij type "C" (kit FTA1) als volgt geschat:

- circa 24 maanden voor poorten tot 7m (jumper JP1 van de zender uitgeschakeld)
- circa 18 maanden voor poorten tot 15m (jumper JP1 van de zender ingeschakeld)

26



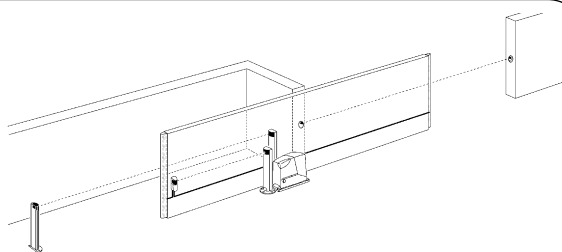
5.2) Voorbeeld van hoe FT210 alleen gebruikt wordt als melder van de status van de contactlijst

Indien FT210 alleen gebruikt wordt als melder van de status van de contactlijst, dus zonder de functie van obstakelmelder, is het raadzaam de foto-inrichting te installeren zoals dat op afbeelding 27 te zien is.

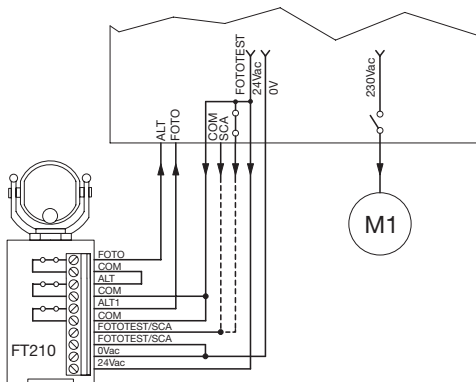
In dit geval dient u als volgt te werk te gaan:

1. Voer de montage uit zoals dat in de paragraaf "Installatie" beschreven is.
2. Sluit de ontvanger van FT210 op de besturingseenheid aan, zoals dat op afbeelding 28 te zien is, waarbij u de contacten van FOTO en ALT serieel schakelt.
3. Schakel de jumper JP2 van de ontvanger in
4. Sluit de Fototest aan en gebruik deze als de besturingseenheid deze functie beheert. In dit geval dienen de jumper JP1 van de ontvanger en de jumper JP3 van de zender ingeschakeld te worden
5. Als de besturingseenheid alleen over de uitgang SCA beschikt, sluit u deze op de ingang Fototest van de ontvanger aan. De jumper JP1 van de ontvanger dient uitgeschakeld te worden, terwijl de jumper JP3 van de zender ingeschakeld moet worden.
6. Als u op de besturingseenheid over geen enkele bruikbare uitgang (Fototest of SCA beschikt), dient u de ingang Fototest van de ontvanger onaangesloten te laten en de jumper JP1 van de ontvanger en de jumper JP3 van de zender uit te schakelen.

27



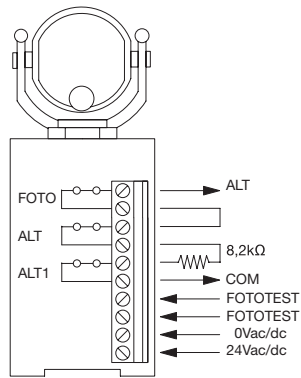
28



5.3) Voorbeeld van aansluiting van FT210 op de besturingseenheid met ingang ALT op constante weerstand 8,2kohm

Indien de besturingseenheid over een ingang ALT op een constante weerstand 8,2kohm beschikt, sluit u een weerstand van 8,2Kohm serieel op de twee contacten FOTO en ALT van de ontvanger aan, zoals dat op afbeelding 29 is aangegeven.

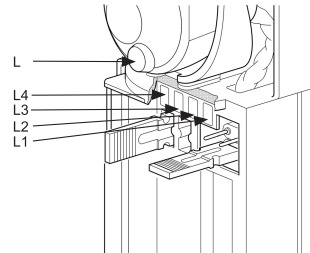
29



5.4) Signaleringen

De ontvanger FT210 heeft enkele signaleringsledlampjes (zie afbeelding 30) die een visuele signalering geven op grond van de werkingsstatus.

30



Tabel 5: signaleringen

Led L (rood)	Oorzaak	Handeling
2 korte knipperingen pauze 2 korte knipperingen	Signalering batterij leeg op de TX	Vervang zo snel mogelijk de batterij op de zender met eenje van hetzelfde model
Led L1 (rood)	Oorzaak	Handeling
Knippert regelmatig	De frequentie van de knipperingen geeft aan hoe goed de ontvangst is: hoe langzamer ze knippen hoe beter is de ontvangst	Alles OK als het lichtje langzaam knippert: ten hoogste 3 per seconde; anders dient u de uitlijning tussen TX en RX te controleren
Aan	Geen signaal, het contact "FOTO" blijft open	Verwijder het obstakel of corrigeer de uitlijning tussen TX en RX
4 korte knipperingen pauze 4 korte knipperingen	De zender is in de modus LANGZAAM	Alles OK als de poort stil staat
5 korte knipperingen pauze 5 korte knipperingen	De ontvanger vangt het onherkenbare infrarode signaal op waardoor interferentie plaats vindt	Een vreemde zender zendt een signaal naar de ontvanger, probeer de interferentie weg te nemen; controleer de uitlijning van alle aanwezige inrichtingen
7 korte knipperingen pauze 7 korte knipperingen	De ontvanger vangt het infrarode signaal van een tweede zender FT210 op	Haal de tweede zender weg. Twee zenders FT210 mogen niet op het zelfde gebied geplaatst worden
Led L2 (geel)	Oorzaak	Handeling
Aan	Signaleert fout in de test aan het begin van de manoeuvre en de zender is niet op de modus SNEL overgeschakeld	Fout in de aansluiting of programmering van de ingang FOTOTEST. Waarschijnlijk functioneert de bewegingssensor niet goed
Uit	De test aan het begin van de laatste manoeuvre was normaal	Alles OK
Led L3 (rood)	Oorzaak	Handeling
Aan (contact ALT: open)	De op de zender aangesloten contactlijst wordt geactiveerd	Controleer de oorzaken van activering van de contactlijst
Uit (contact ALT: dicht)	De op de zender aangesloten contactlijst wordt niet geactiveerd	Alles OK
Led L4 (groen)	Oorzaak	Handeling
Aan (contact ALT: dicht)	De op de zender aangesloten contactlijst wordt niet geactiveerd	Alles OK
Uit (contact ALT: open)	De op de zender aangesloten contactlijst wordt geactiveerd	Controleer de oorzaken van activering van de contactlijst.

5.5) Oplossen van problemen

In tabel 6 kunt u nuttige aanwijzingen vinden om om storingen te verhelpen die u tijdens de installatie of bij een eventueel defect tegen kunt komen.

Tabel 6: opsporen van storingen	
Symptomen	Aanbevolen controles
De poort kan niet aangestuurd worden; alle ledlampjes op de ontvanger van FT210 zijn uit.	Controleer of de ontvanger van stroom wordt voorzien door de spanning op de klemmetjes 12/24V te meten.
De poort start een manoeuvre maar stopt na 1 seconde; het ledlampje 2 (geel) brandt	De test aan het begin van de manoeuvre is niet tot een goed einde gekomen en er is waarschijnlijk een fout in de aansluitingen of in de programmering; ook kan het zijn dat er defect is in de bewegingssensor van de poort op de TX
Tijdens de manoeuvre stopt de poort of wordt de manoeuvre omgekeerd; het ledlampje L1 (rood) brandt ononderbroken	Controleer op eventuele obstakels en op de uitlijning tussen TX en RX lover de gehele loop van de poort
Tijdens de manoeuvre stopt de poort of wordt de manoeuvre omgekeerd; het ledlampje L3 (rood) is aan en het ledlampje L4 (groen) is uit. Zo af en toe stopt de poort tijdens de manoeuvre of wordt de manoeuvre omgekeerd; wanneer de poort open is, knippert het ledlampje L1 (rood) snel	De contactlijst is in werking getreden. Verwijder het eventuele obstakel of controleer of de lijst correct functioneert Controleer de uitlijning tussen TX en RX over de gehele loop van de poort
Wanneer de inrichting aangezet wordt, gaat op de ontvanger het oranje ledlampje L2 branden en gaat het rode ledlampje L1 knipperen. Als de infraroodbundel wordt onderbroken gaat het rode ledlampje L1 continu branden, maar u hoort geen enkel relais klikken.	De ontvanger is in de modus Fototest (JP1 ingeschakeld) ingesteld, maar heeft de test bij het begin van de manoeuvre nog niet uitgevoerd. Als u over een besturingseenheid niet over de beschikt, laat u de jumper JP1 van de ontvanger ingeschakeld, controleert u de aansluitingen en laat u het automatische een manoeuvre uitvoeren. Als de besturingseenheid niet over de uitgang Fototest beschikt, is de jumper JP1 zeker per ongeluk ingeschakeld. Schakel de jumper uit en controleer of de relais in werking treden en de infraroodbundel onderbreken.
Zo af en toe stopt de poort tijdens de manoeuvre of wordt de manoeuvre omgekeerd; soms raakt hij geheel geblokkeerd en kan hij niet meer aangestuurd worden; het ledlampje L (rood) geeft voortdurend 2 korte knipperingen	De batterij van de TX èis leeg en onder ongunstige omstandigheden vindt er geen communicatie tussen TX en RX plaats. Het ledlampje L (rood) knippert om aan te geven dat de batterij vervangen moet worden.

6) Onderhoud

FT210 vereist geen bijzonder onderhoud, maar tenminste eens per half jaar is het noodzakelijk een controle uit te voeren op de staat van de fotoinrichting FT210 (aanwezigheid van vocht, roestvorming, etc.); bovendien moet dan de buitenkant van het kastje schoongemaakt worden en de eindtest zoals die in hoofdstuk 4 "Eindtest" beschreven is, uitgevoerd worden. FT210 is ontworpen om onder normale omstandigheden tenminste 10 jaar te functioneren; het is raadzaam na afloop van die periode de onderhoudsfrequentie op te voeren.

7) Afvalverwerking

Wanneer de levensduur van dit product ten einde is, dienen, zoals dit ook bij de installatiewerkzaamheden het geval is, de ontmantelingswerkzaamheden door gekwalificeerd personeel uitgevoerd te worden. Dit product bestaat uit verschillende soorten materialen, waarvan sommige gerecycleerd kunnen worden. Win inlichtingen over de methoden van hergebruik of afvalverwerking in zoals die voor dit soort producten in de plaatselijke regelgeving voorzien zijn.

Let op! Sommige delen van dit product kunnen vervuilende of gevaarlijke stoffen bevatten; als die in het milieu terecht zouden komen zouden ze schadelijke gevolgen voor het milieu en de menselijke gezondheid kunnen hebben. Zoals u kunt zien aan het symbool op afbeelding 31 is het verboden dit product met het gewone huisvuil weg te gooien. Scheid uw afval

voor verwerking op een manier zoals die in de plaatselijke regelgeving voorzien is; of lever het product bij uw leverancier in wanneer u een nieuw gelijksoortig product koopt. De plaatselijke regelgeving kan zware straffen voorzien in geval van illegale dumping van dit product.



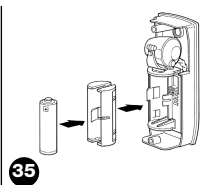
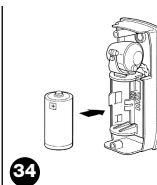
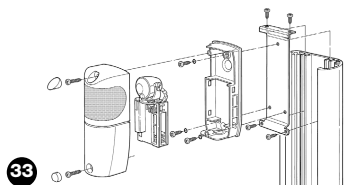
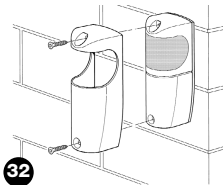
Let op! het product werkt op batterijen die vervuilende stoffen zouden kunnen bevatten en die dus niet met het gewone afval weggegooid mogen worden. Nadat u ze uit het product gehaald hebt (zie de paragraaf "Vervanging van de batterijen " in het hoofdstuk "Aanwijzingen en aanbevelingen voor de gebruiker van FT210B") dient u deze te verwerken op een manier zoals dat in de plaatselijke regelgeving voor batterijen voorzien is.

8) Accessoires

Onderstaande accessoires zijn leverbaar:

- FA1: metalen vandalisembestendige box, te monteren zoals dat op afbeelding 32 te zien is
- FA2: bevestigingsbeugel voor de zuitjes "MOCF", te monteren zoals dat op afbeelding 33 te zien is

- FA1A: batterij 3,6V; 7Ah maat C, te monteren zoals dat op afbeelding 34 te zien is
- FA2A: batterij 3,6V; 2Ah maat AA, te monteren zoals dat op afbeelding 35 te zien is



9) Echnische gegevens

Teneinde haar producten steeds meer te vervolmaken behoudt NICE S.p.a. zich het recht voor op elk gewenst moment en zonder voorbericht wijzigingen in haar producten aan te brengen, waarbij functionaliteit en gebruiksdoel echter gehandhaafd blijven. N.B.: alle technische gegevens hebben betrekking op een temperatuur van 20°C.

Technische gegevens FT210	
Typologie	Inrichting voor optische overseining van de status van een contactlijst van het type met constante weerstand op bewegende delen; bestaande uit een zender met infrarode stralen (TX) die van stroom wordt voorzien door een batterij die zich op de bewegende vleugel bevindt waaraan de contactlijst gekoppeld wordt, en uit een ontvanger (RX) op het vaste deel
Toegepaste technologie	Trasmissione door rechtstreekse optische interpolatie TX-RX met gemoduleerde en gecodeerde infrarode straal.
Stroomvoorziening ontvanger	12÷24Vac/dc; limieten: 10÷35 Vcc; 11÷28Vac 50/60Hz; met isoleringstransformator conform EN 61558
Opgenomen stroom ontvanger	Circa 120mA op 12Vcc; 70mA op 24Vac
Spanning ingang "Fototest"	Zelfde limieten als "Stroomvoorziening ontvanger"
Stroomvoorziening zender	3,6V met lithiumbatterijen type C of AA
Levensduur batterij zender	Geschat op circa ruim 15 jaar met batterij type C, capaciteit 7Ah; (gebruik "woonomgeving": afstand TX-RX ten hoogste 7m; bij 20 manoeuvres per dag met een duur van 90s). Geschat op circa 5,5 jaar met batterij type C, capaciteit 7Ah; (gebruik "industriële omgeving": afstand TX-RX ten hoogste 15m; bij 200 manoeuvres per dag met een duur van 90s). Geschat op circa 6 jaar met batterij type AA, capaciteit 2Ah; (gebruik "woonomgeving": afstand TX-RX ten hoogste 7m; bij 20 manoeuvres per dag met een duur van 90s)
Gamma van de ingang van de contact-inrichting (Rs)	Typisch 8,2KΩ +22%/-65% voor de actieve status (On) Limieten actieve status (On): bij Rs > 2.870Ω en Rs < 10.010Ω Limieten niet-actieve status (Off): bij Rs < 2.590Ω of Rs > 11.060Ω
Waarnemingsvermogen van de obstakel-detectie-inrichting type D	Ondoorzichtige voorwerpen op de optische as tussen TX-RX die groter dan 50mm zijn en een snelheid van minder dan 1,6m/s hebben
Zendhoek TX	+/- 4° (gemeten waarde op 50% van het bereik)
Ontvanghoek RX	+/- 3° (gemeten waarde op 50% van het bereik)
Richtbaarheid	circa 210° op de horizontale as en 30° op de verticale as
Nuttig bereik	7m of 15m (bij JP1 op TX ingeschakeld) met asafwijking TX-RX van maximaal ± 2° (Het bereik zou verder kunnen afnemen in geval van bijzonder hevige klimaatomstandigheden zoals mist, regen, sneeuw, stof, etc..)
Maximaal bereik (onder optimale omstandigheden)	15m of 30m (bij JP1 op TX ingeschakeld) met asafwijking TX-RX van maximaal ± 2°
Reactietijd uitgang FOTO	<45ms (typisch 31ms)
Reactietijd uitgang ALT	<30ms (typisch 28ms)
Reactietijd uitgang ALT1	1,5s ± 3%
Bestendigheidscategorie defecten	3 of 2 (volgens de norm EN 954-1) al naar gelang het type aansluiting van de uitgangen en ingang FOTOTEST
Capaciteit contacten relais op uitgang	Maximaal 0,5A en maximaal 48Vac (belasting weerstand: cosφ=1).
Duur contacten relais in uitgang	Mechanische levensduur > 1.000.000 cycli; elektrische levensduur > 200.000 cycli (belasting weerstand: 0,25A; 24Vcc)
Gebruik in zure, zoute of potentieel explosieve atmosfeer	Nee
Montage	RX: verticaal aan de wand of op het zuiltje "MOCF" met de bevestigingsbeugel "FA2" TX: rechtstreeks op de poort met de meegeleverde schroeven.
Beveiligingsklasse kastje	IP44.
Bedrijfstemperatuur	-20 ÷55°C.
Afmetingen	46 x 128 h 45mm.
Gewicht	Ontvanger: 135g. Zender 165g met FTA1 of 140g met FTA2

Aanwijzingen en aanbevelingen bestemd voor de gebruiker van FT210

Deze aanwijzingen kunnen de "Aanwijzingen en aanbevelingen voor het gebruik van de automatisering" aanvullen die de installateur aan de eigenaar van de automatisering moet overhandigen en moeten in ieder geval met die aanwijzingen aangevuld worden.

- **Onderhoud:** Zoals elke machine heeft uw installatie periodiek onderhoud nodig om haar zo lang mogelijk en geheel veilig te laten werken. Stel met uw installateur een onderhoudsplan met periodieke frequentie op; ico raadt bij normaal gebruik bij een woning een onderhoudsbezoek om het half jaar aan, maar dit tijdsbestek kan variëren in functie van een meer of minder intensief gebruik. Alle controle-, onderhouds- of reparatiewerkzaamheden mogen uitsluitend door gekwalificeerd personeel worden uitgevoerd.
- Ook al bent u van mening dit te kunnen doen, breng geen wijzigingen aan de installatie en de programmerings- en afstellingsparameters van uw automatiseringsinstallatie aan: uw installateur is aansprakelijk..
- De eindtest, de periodieke onderhoudswerkzaamheden en de eventuele reparatiewerkzaamheden dienen gedocumenteerd te worden door wie die uitvoert en de documenten dienen door de eigenaar van de installatie bewaard te worden.
- De enige werkzaamheden die de gebruiker regelmatig kan en moet uitvoeren zijn het reinigen van de glaasjes van de fotocellen en het verwijderen van bladeren en stenen die het automatiseren in diens werking kunnen belemmeren. Om te voorkomen dat iemand de poort in beweging kan brengen dient u eraan te denken voordat u dit gaat doen het automatiseren (zoals verderop beschreven) te ontgrendelen en voor het schoonmaken alleen een enigszins vochtige in water gedrenkte doek te gebruiken.
- Afvalverwerking: Als de automatisering niet meer gebruikt kan worden, dient u zich ervan te vergewissen dat de sloop daarvan zijn door gekwalificeerd personeel wordt uitgevoerd en dat het materiaal volgens de plaatselijk geldende voorschriften wordt hergebruikt of naar de afvalverwerking wordt gezonden.
- **Vervangen van de batterij** van de zender van FT210
De zender, die zich op de bewegende vleugel van de poort bevindt, beschikt over een speciale lithiumbatterij van 3,6V. De levensduur hiervan wordt op meerdere jaren geschat; dit hangt van de gebruiksomstandigheden af. Er is in een signalering

voorzien die enkele maanden voordat de batterij helemaal leeg is aangeeft dat het tijd wordt deze te vervangen; u hebt hier dan ruim te tijd voor.

Het moment om de batterij te wisselen is gekomen wanneer u op de ontvanger die zich in het vaste deel bevindt (aan de wand zoals op afbeelding A te zien is of op het zultijte volgens afbeelding B) onderstaande signalering ziet: **2 korte knippen gevolgd door een pauze van 1 seconde.**

De **batterij** bevindt zich in de zender op de poortvleugel; om deze te vervangen gaat u als volgt te werk:

- 1) Verwijder de dopjes die de schroeven afdekken zoals dat op afbeelding C te zien is
- 2) Draai de schroeven los die de dekplaat vasthouden en verwijder dat zoals op afbeelding C te zien is
- 3) Verwijder de lege batterij met behulp van een schroevendraaier
- 4) Wacht ongeveer 10 seconden voordat u een nieuwe batterij gaat inzetten
- 5) Let goed op de polariteit: de plus bevindt zich naar boven
- 6) Breng de nieuwe batterij aan zoals u dat op afbeelding D of E kunt zien, op basis van het gebruikte model
- 7) Bevestig de dekplaat met de schroeven en breng de dopjes aan

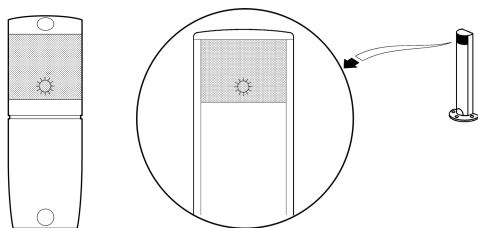
Er zijn 2 soorten batterijen beschikbaar:

- FTA1: batterij 3,6V; 7Ah maat C, te monteren zoals op afbeelding D te zien is.
- FTA2: batterij 3,6V; 2Ah maat AA, te monteren zoals op afbeelding E te zien is.

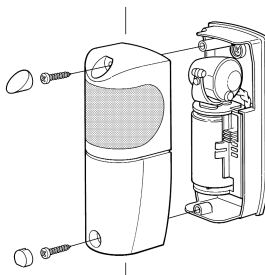
Let op! de batterijen die in dit product gebruikt worden zijn geen normale alkalische batterijen.

Bestel bij Nice s.p.a. de sets batterijen "FTA1" of "FTA2".

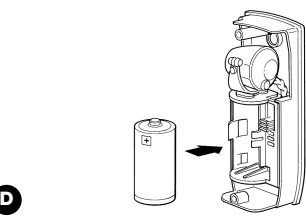
Let op! het product werkt op batterijen die vervuulende stoffen zouden kunnen bevatten en die dus niet met het gewone afval weggegooid mogen worden. Nadat u ze uit het product gehaald hebt (zie de paragraaf "Vervanging van de batterijen" in het hoofdstuk "Aanwijzingen en aanbevelingen voor de gebruiker van FT210B") dient u deze te verwerken op een manier zoals dat in de plaatselijke regeling voor batterijen voorzien is.



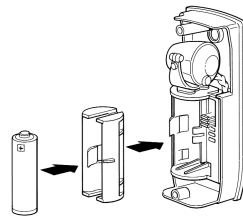
A B



C



D



E

Dichiarazione CE di conformità / EC Declaration of conformity

(Secondo la Direttiva 89/336/CEE) / (According to Directive 89/336/EEC)

Numero / Number: 218/FT210

Revisione / Revision: 1

Nota: il contenuto di questa dichiarazione di conformità corrisponde all'ultima revisione aggiornata alla data di edizione del presente documento; eventualmente riadattato per motivi editoriali. La versione integrale ed aggiornata della presente dichiarazione è depositata presso la sede di Nice S.p.a.

Note: The content of the present declaration corresponds to the latest available revision, - before the printing of the present manual, - of the document registered at the head offices of Nice S.p.a. The original text of this manual has been readapted for publishing reasons.

**Il sottoscritto Lauro Buoro, Amministratore Delegato, dichiara che il prodotto:
The undersigned Lauro Buoro, General Manager, declares that the product:**

Nome produttore / Name of product:

NICE S.p.a.

Indirizzo / Address:

Via Pezza Alta 13, 31046 Z.I. Rustignè - ODERZO - ITALY

Tipo / Type:

Fotodispositivo orientabile / Adjustable optical device

Modello / Model

FT210

Accessori / Accessories:

Box metallico antivandalico FA1, Kit batteria FTA1, Kit batteria FTA2

Antivandal metallic box, battery kit FTA1, battery kit FTA2

Risulta conforme a quanto previsto dalle seguenti direttive comunitarie, così come modificate dalla Direttiva 93/68/CEE del consiglio del 22 Luglio 1993:

Complies with the following community directives, as modified from Directive 93/68/EEC of the Council of the 22 July 1993.

89/336/CEE: Direttiva 89/336/CEE del Consiglio del 3 maggio 1989 per il riavvicinamento delle legislazioni degli Stati membri relative alla compatibilità elettromagnetica.

89/336/CEE: (Council Directive of 3 May 1989 on the approximation of the laws of the Member States relating to Electromagnetic Compatibility).

Secondo le seguenti norme: EN 61000-6-2:2001; EN 61000-6-3:2001+A1:2004

Complies with the following standards: EN 61000-6-2:2001; EN 61000-6-3:2001+A1:2004

Inoltre soddisfa totalmente o parzialmente per le parti applicabili, i requisiti delle seguenti norme:

EN 13241-1:2004, EN 12453:2002, EN 12445:2002, EN 12978:2005, EN 61496-1:2004, IEC EN 61496-2:1997

Also satisfies totally or partially for the applicable parts, the requirements of the following standards:

EN 13241-1:2004, EN 12453:2002, EN 12445:2002, EN 12978:2005, EN 61496-1:2004, IEC EN 61496-2:1997

Oderzo, 31 Marzo 2006


Lauro Buoro
(Amministratore Delegato)
(Managing Director)



COMPANY
WITH QUALITY SYSTEM
CERTIFIED BY DNV
=ISO 9001/2000=

Headquarter

Nice SpA

Oderzo TV Italia
Tel. +39.0422.85.38.38
Fax +39.0422.85.35.85
info@niceforyou.com

Nice in Italy

Nice Padova

Sarmeola di Rubano PD Italia
Tel. +39.049.89.78.93.2
Fax +39.049.89.73.85.2
infopd@niceforyou.com

Nice Roma

Roma Italia
Tel. +39.06.72.67.17.61
Fax +39.06.72.67.55.20
inforoma@niceforyou.com

Nice worldwide

Nice France

Buchelay
Tel. +33.(0)1.30.33.95.95
Fax +33.(0)1.30.33.95.96
info@fr.niceforyou.com

Nice Rhône-Alpes

Decines Charpieu France
Tel. +33.(0)4.78.26.56.53
Fax +33.(0)4.78.26.57.53
infoyon@fr.niceforyou.com

Nice France Sud

Aubagne France
Tel. +33.(0)4.42.62.42.52
Fax +33.(0)4.42.62.42.50
infomarseille@fr.niceforyou.com

Nice Belgium

Leuven (Heverlee)
Tel. +32.(0)16.38.69.00
Fax +32.(0)16.38.69.01
info@be.niceforyou.com

Nice España Madrid

Tel. +34.9.16.16.33.00
Fax +34.9.16.16.30.10
info@es.niceforyou.com

Nice España Barcelona

Tel. +34.9.35.88.34.32
Fax +34.9.35.88.42.49
info@es.niceforyou.com

Nice Polska

Pruszków
Tel. +48.22.728.33.22
Fax +48.22.728.25.10
info@pl.niceforyou.com

Nice UK

Chesterfield
Tel. +44.87.07.55.30.10
Fax +44.87.07.55.30.11
info@uk.niceforyou.com

Nice Romania

Cluj Napoca
Tel/Fax +40.264.45.31.27
info@ro.niceforyou.com

Nice Deutschland

Gelnhausen-Hailer
Tel. +49.60.51.91.52-0
Fax +49.60.51.91.52-119
info@de.niceforyou.com

Nice China

Shanghai
Tel. +86.21.575.701.46
+86.21.575.701.45
Fax +86.21.575.701.44
info@cn.niceforyou.com

Nice USA Inc.

Jacksonville, Fl.
Tel. +001.904.786.7133
Fax +001.904.786.7640
info@us.niceforyou.com